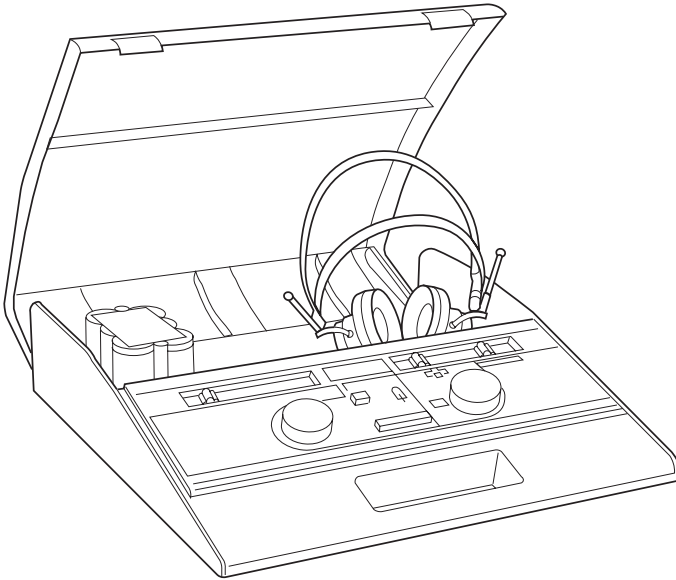

WelchAllyn®

AM 232™ Manual Audiometer



**Operating
Instruction
Manual**

Contents

Section 1 — Introduction

1.1	Description	1
1.2	Unpacking and Inspection	1
1.3	Connectors, Controls and Indicators	2
1.3.1	The Front Panel Controls and Indicators (Fig. 1-1)	3
1.3.2	Rear Panel Connectors and Indicators (Fig. 1-1)	3
1.3.3	Symbols	3
1.4	Installation	4
1.5	Pre-Test Procedure	4
1.5.1	Pre-Test Noise Recover Period	5
1.5.2	Elimination of Ambient Noise	5

Section 2 — Battery Option

2.1	Description	6
2.2	NiCad Battery Operation	6
2.3	Recharge NiCad Batteries	7
2.4	To Replace NiCad Batteries	8
2.5	Alkaline Battery Installation/Operation	9

Section 3 — Operation

3.1	Preliminary Check	10
3.2	Instructing the Subject	10
3.3	Placement of Earphones	11
3.4	Response Handswitch	11
3.5	Audiogram Form	11
3.6	Routine Calibration Check	12
3.7	Routine Test Administration	12
3.7.1	HL Control (F3)	12
3.7.2	Range Extension Push-Button (F2)	12
3.7.3	Tone Type Selector (F9)	13
3.8	Typical Testing Session	13
3.8.1	Pre-Test Review	13
3.8.2	Familiarization	13
3.8.3	Threshold Determination (Pure Tone)	14
3.8.4	Testing Procedure	14

Section 4 — Routine Maintenance

4.1	Calibration	15
4.2	Earphone Cords	15
4.3	Hum and Random Noise	15
4.4	Distortion and Frequency Shift	15
4.5	Special Messages	16
4.5.1	CAL	16
4.5.2	Exx	16

Service and Warranty Information

Service and Repair	17
Recalibration	17
Warranty	17
Rechargeable Battery Warranty	17

Specifications	18
-----------------------------	----

Bibliography	20
---------------------------	----

Section 1 — Introduction

1.1 DESCRIPTION

The Welch Allyn AM 232 Manual Audiometer is a single-channel, pure tone, air conduction, portable instrument designed to provide basic audiometric capability for physicians' offices, schools and industry. The lightweight design allows easy transport to a variety of testing locations and the built-in storage cavity and case provide enough room to contain all instrument accessories. The clearly labeled front panel controls and full frequency range make accurate, reliable testing a simple matter for any user.

The Welch Allyn AM 232 Manual Audiometer is a precisely designed and calibrated instrument. With proper care it will deliver accurate sound-pressure levels for years to come. The Welch Allyn AM 232 Manual Audiometer should be recalibrated yearly (or sooner if a problem develops). See Section 4.

1.2 UNPACKING AND INSPECTION

Although your Welch Allyn AM 232 Manual Audiometer was carefully tested, inspected and packed for shipping, it is good practice after receiving the instrument to immediately examine the outside of the container for any signs of damage. Notify your distributor if any damage is noted.

Carefully remove your Welch Allyn AM 232 Manual Audiometer from its shipping container. If the instrument appears to have suffered mechanical damage, notify the carrier immediately so that a proper claim can be made. Be certain to save all packing materials so that the claim adjuster can inspect it as well. As soon as the carrier has completed the inspection, notify your Welch Allyn representative.

If the instrument must be returned to the factory, repack it carefully (in the original container if possible) and return it prepaid to the factory for necessary adjustments.

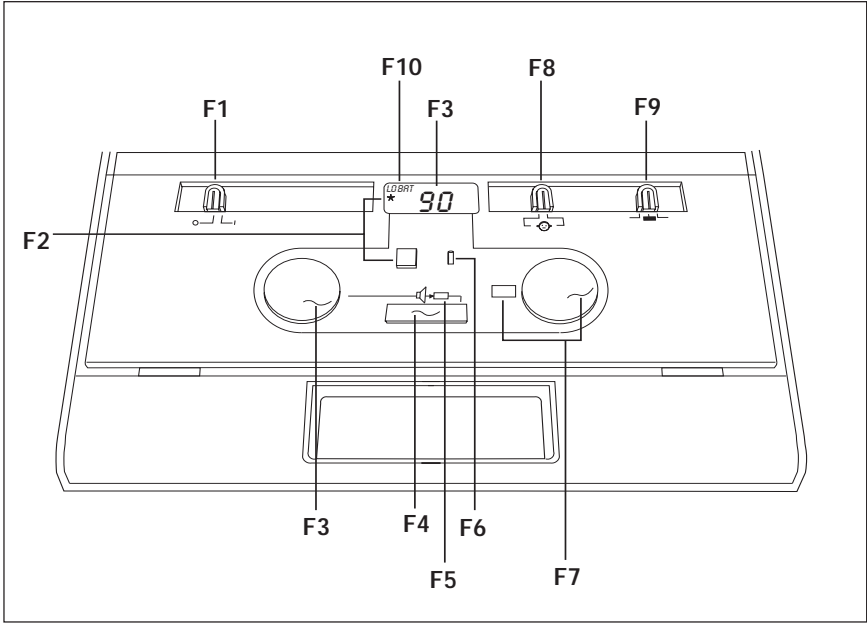
Check that all accessories itemized in Table 1-1 are received in good condition. If any accessories are missing, contact your Welch Allyn representative immediately. See Specifications Section of this manual for the catalog numbers of accessories and also for a listing of optional accessories.

TABLE 1-1: Accessories Supplied

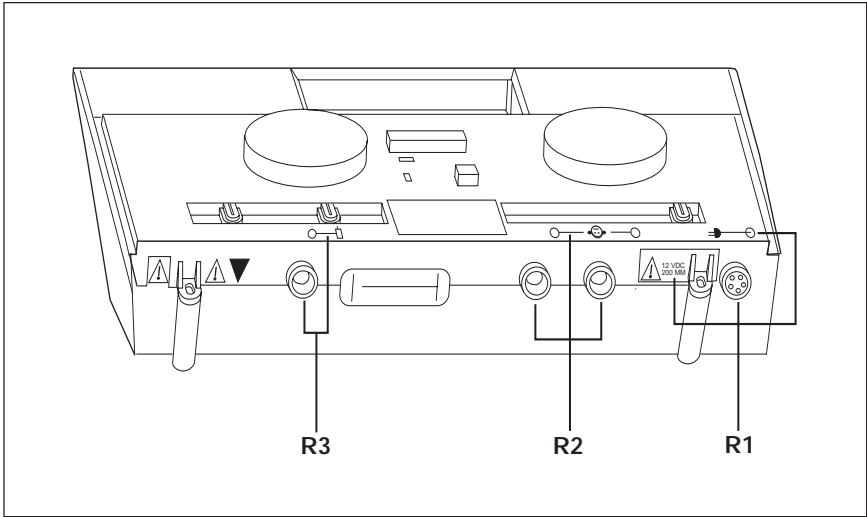
Test Headset Assembly (TDH39)
Audiogram Pad (1 Pad of 50)
Battery Pack Assembly (used with model #23210 and #23215 only)
AC Power Cord

1.3 CONNECTORS, CONTROLS AND INDICATORS

FIGURE 1-1: Front and Rear Panel







Front Panel



Rear Panel

1.3.1 The Front Panel Controls and Indicators (Figure 1-1)

- F1 Power switch and indicator for ON  and OFF 
- F2 Range extension push-button allows operator to increase the stimulus intensity 10 dB above the standard maximum HL at any frequency. When in use, a "+" appears on the LCD.
- F3 HL control for setting stimulus intensity level. Level is indicated on LCD.
- F4 Present bar for stimulus presentation.
- F5 Stimulus being presented via earphone. Presentation indicated by illuminated green LED.
- F6 Subject response indicator shows the operator when the test subject has pressed the handswitch button by an illuminated green LED (with optional handswitch only).
- F7 Control for setting stimulus frequency. Frequency is indicated in window adjacent to control.
- F8 Routing switch for stimulus presentation to the earphone. Left or right indicated by illustration of subject.
- F9 Switch for setting the stimulus tone type.
 - FM = warble tone
 -  = steady tone
 -  = pulsed tone
- F10 Low battery indicator to alert the operator of a limited operating time. Recharge or replace batteries (dependent on whether NiCad or Alkaline batteries are used).

1.3.2 Rear Panel Connectors and Indicators (Figure 1-1)

- R1 Power input jack (5-pin DIN Connector) with front panel illustration showing its location and a rear panel label giving the input power specifications.
- R2 Earphone output jacks (standard phone jacks). Front panel illustration shows left and right phone.
- R3 Response handswitch input jack (standard phone jack) with front panel illustration showing location.

1.3.3 Symbols



Attention, consult accompanying document for instructions or warnings pertaining to these parts.



Entry by qualified service personnel only.



This symbol is located inside the storage compartment. It denotes a Type B, Class II product per IEC 878 as referenced in IEC 601 Standard.

1.4 INSTALLATION

Warning

The AM 232 Manual Audiometer is designed to be used with a hospital grade outlet. Injury to personnel or damage to equipment can result when a three-prong or two-prong adapter is connected between the AM 232 Manual Audiometer power plug and an AC outlet or extension cord. Additionally, the AM 232 Manual Audiometer is equipped with a specific power transformer which should not be interchanged with any other transformer or supply.



The above symbol indicates the location of a service adjustment part and is intended for service personnel use only. The AM 232 Manual Audiometer is a specifically calibrated audiometer and the periodic service and adjustments which the instrument may require should be done only by an authorized Welch Allyn service technician.

Plug the power module into the appropriate jack (R1) on the back panel of the instrument, then plug the other end into a line power (mains) outlet. Plug the earphones into the earphone jacks (R3) on the rear panel. Note the symbol along the top of the front panel which indicates which is right and which is left. The right earphone is red, the left earphone is blue. Turn the power switch to ON.

NOTE

For battery operation, please refer to Section 2.

1.5 PRE-TEST PROCEDURE

NOTE

The AM 232 Manual Audiometer is a versatile audiometer designed for use in doctors' offices, schools, industrial settings, the military, etc. This manual, therefore employs the generic term "subject" to identify the person whose hearing is being evaluated.

Although the AM 232 Manual Audiometer is simple enough to be operated by practically anyone, any program aimed at obtaining reliable records of hearing thresholds should be staffed and supervised by appropriately-trained individuals. Training courses leading to certification are available for audiometric technicians in most urban areas.

Two prerequisites are of particular importance to the procurement of reliable audiograms:

- Prior to testing, allow adequate time for the subject to recover from the effects of previous exposure to high-level sound.
- Tests should be done in a quiet area.

1.5.1 Pre-Test Noise Recover Period

Exposure to high levels of sound (unmuffled lawn mowers, many power tools, loud music, gunfire) tends to create a temporary threshold shift (TTS) which diminishes with time after exposure. Any subject tested soon after such exposure may manifest a hearing loss that does not reflect his or her normal hearing threshold. It is, therefore, important that the testing procedure prescribe some time interval — usually at least 16 hours — between the last exposure to high-level sound and the administration of any hearing test.

1.5.2 Elimination of Ambient Noise

Excessive noise in the test environment such as that produced by conversation, typewriters, or other machines also reduces test validity because it tends to mask the test signals, particularly at the lower frequencies where earphone cushions provide less effective attenuation. An acoustically-tested room may be required if ambient noise at the subject's ears reaches an objectionable level—i.e., sufficient to cause apparent hearing loss at the low frequencies. Also, Audiocups are available from Welch Allyn as an optional accessory. If the test subject is in the same room as the audiometer, it is recommended that the subject be seated about one meter (3 ft) away from the instrument.

Maximum permissible test environment sound-pressure levels are specified by American National Standard Criteria for Permissible Background Noise during Audiometric Testing, S3.1-1991. Table 1-2 shows the maximum background levels that can be present inside the room while a valid hearing test is being conducted. For more comprehensive information about hearing testing and hearing conservation, refer to the Bibliography.

TABLE 1-2: Permissible Noise Levels

Test Tone	125	250	500	750	1000	1500	2000	3000	4000	6000	8000
Frequency (Hz)											
Test Room											
Ears covered maximum permissible octave band levels	34.0	22.5	19.5	21.5	26.5	26.5	28.0	33.5	34.5	38.0	43.5
Ears covered maximum permissible one-third octave band levels	29.0	17.5	14.5	16.5	21.5	21.5	23.0	28.5	29.5	33.0	38.5

Section 2 — Battery Option

2.1 DESCRIPTION

This section describes the battery option of the AM 232 Manual Audiometer. It pertains only to those customers who purchased Models #23210 or #23215 with the battery pack installed or to those who later purchased the #72329 Battery Pack Assembly. In both cases, a rechargeable NiCad battery is included.

2.2 NiCad BATTERY OPERATION

The AM 232 Manual Audiometer battery option is supplied with an installed, rechargeable NiCad battery pack. It requires about 18 hours to fully charge and will provide about 22 hours of continuous operation when fully charged. The green LED on the pack itself will be lit when charge is getting low so the operator will know when to recharge the batteries. When **LO BAT** appears, the instrument will operate (continuously) for about two more hours before it shuts down completely.

NOTE

In no instance will loss of battery power affect instrument calibration.

To save battery life, the AM 232 Manual Audiometer has a special “sleep mode” in which the audiometer will shut down after five minutes of no operation. The operator will know the instrument is “asleep” because the LCD will show three dash lines (---). To “wake up” the instrument the operator only needs to press the present bar. There is no danger of presenting a loud tone to the test subject when the instrument “wakes up” because no tone is presented until the audiometer is awake. In addition, the instrument automatically resets its output to 0 dB HL.

If the AM 232 Manual Audiometer is operated until the battery charge has dropped below an acceptable voltage level, the instrument will not function at all. The display will be blank except for the **LO BAT** indication, and the controls will not function. To restore operation, the batteries must be recharged for some period of time up to 18 hours (full charge), or line power (mains) may be used. If the audiometer is operated using line power (mains) with the rechargeable batteries in place, some battery charging will occur.

2.3 RECHARGE NiCad BATTERIES

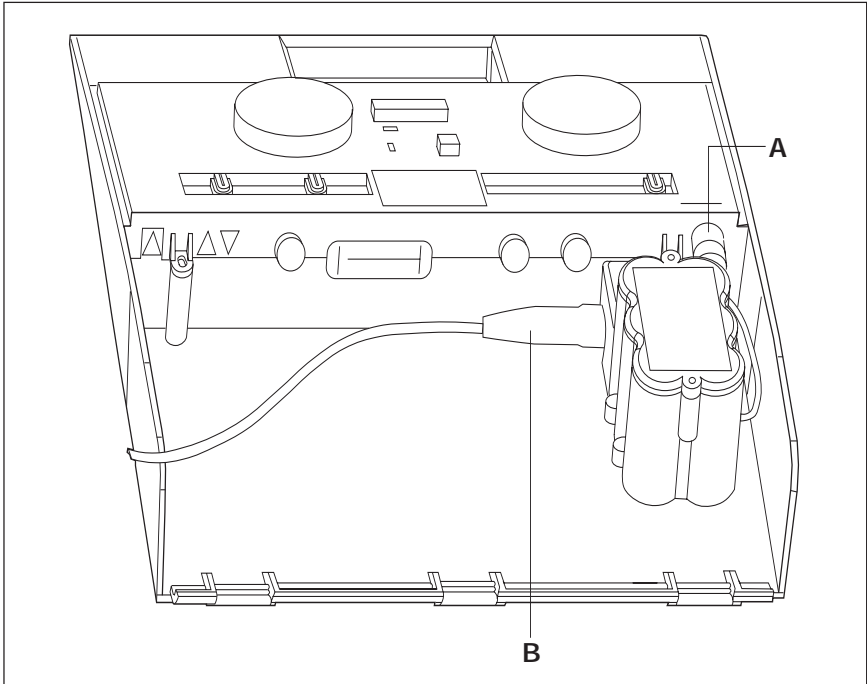


FIGURE 2-1: NiCad Battery Recharge

Refer to Figure 2-1 when recharging NiCad batteries and proceed as follows:

- Be certain that the battery pack power cord is connected to the power cord receptacle on the back panel of the audiometer (A).
- Connect the instrument power cord to the receptacle on the lower edge of the battery pack (B).
- Plug the power cord into a wall outlet.

CAUTION

Although no damage to the rechargeable NiCad batteries will occur if the pack is left charging for more than the 18 hours required for a full charge, the batteries should not be left charging for extended periods (i.e., several days) because the useful life of the rechargeable NiCad pack will be shortened. Welch Allyn recommends unplugging the battery pack power input cord from the back of the audiometer and plugging the main line power cord into the jack if main line power is to be used most of the time.

2.4 TO REPLACE NiCad BATTERIES

Please refer to Figures 2-2, 2-3, 2-4 and proceed as follows:

- a. Unplug the AM 232 Manual Audiometer from the line power (mains).
- b. Remove the two screws on the battery pack cover and lift off the cover.
- c. Pull the NiCad battery out of the pack. The battery is actually a set of six batteries wrapped in plastic, but they will be removed as a single unit.

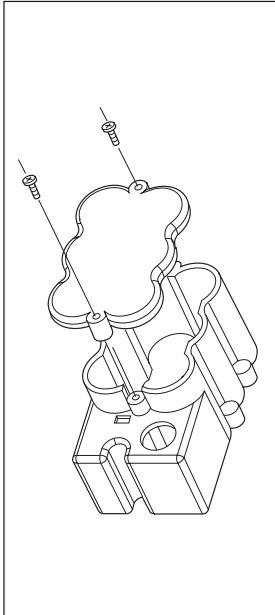


FIGURE 2-2:
Battery Cover
Removal

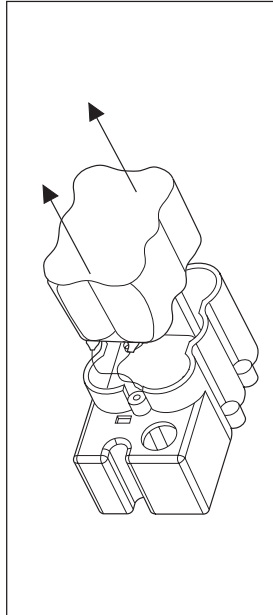


FIGURE 2-3:
NiCad Battery Pack
Removal

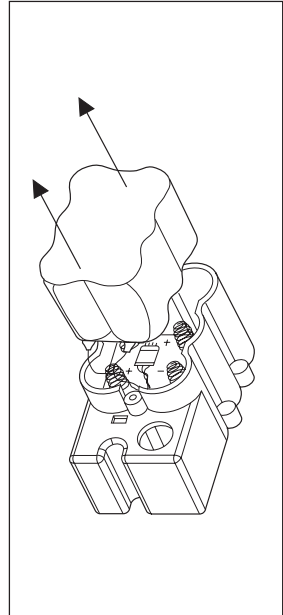


FIGURE 2-4:
Internal View of
Battery Compartment

- d. Carefully disconnect the lead wires of the NiCad battery from the battery compartment by removing the small connector. Remove NiCad pack.
- e. Attach the lead wire connector on the new NiCad battery to the mating connector within the battery pack base. Place the new NiCad into the battery pack.
- f. Replace the battery pack cover. There is only one way that the cover can be replaced and the screws tightened. Note that the screw housing is longer on one end. Orient the top cover so that it will sit flat on the top of the battery compartments and replace screws.

2.5 ALKALINE BATTERY INSTALLATION/OPERATION

For longer continuous battery operation, such as periods when recharging on a regular basis is not possible, the rechargeable batteries can be replaced with six size C alkaline batteries. These batteries will provide about 45 hours of continuous operation.

The low voltage indicator works the same way for the alkaline batteries as it does for the NiCad batteries. The words **LO BAT** will appear on the LCD when about six hours of continuous battery operation remain. In addition, the “sleep mode” also works with the alkaline batteries to prolong their useful life.

To install the alkaline batteries, refer to Figures 2-2, 2-3, 2-4, and proceed as follows:

- a. Unplug the AM 232 Manual Audiometer from the line power (mains).
- b. Remove the two screws on the battery pack cover and lift off the cover.
- c. Pull the NiCad battery out of the pack. The battery is actually a set of six batteries wrapped in plastic, but they will be removed as a single unit.
- d. Carefully disconnect the lead wires of the NiCad battery from the battery compartment by removing the small connector. Remove NiCad pack.
- e. There are six spring mounts on the top and bottom of the battery compartment to hold the alkaline batteries. The label on the bottom surface of the compartment indicates the correct position for each battery. Place each one of the six batteries into the pack matching the polarity (+ or -) as shown on the label.
- f. Replace the battery pack cover. Make certain that the cover is positioned with the spring mounts touching the batteries. There is only one way that the cover can be replaced and the screws tightened. Note that the screw housing is longer on one end. Orient the top so that it will sit flat on top of the battery compartment and replace screws.

NOTE

If the alkaline batteries are not going to be used on a regular basis, they should NOT be stored in the audiometer. They should be removed from the battery pack and stored in a cool, dry place.

Section 3 — Operation

Throughout this section there are references to front panel (F) and rear panel (R) connectors, controls and indicators. Please refer to Section 1.3 and Figure 1-1 for specific descriptions and locations.

3.1 PRELIMINARY CHECK

Prior to testing, ensure that the power cord and earphone cords are plugged in (R1 and R2 respectively). Turn the audiometer on, select the desired tone type (F9—pulsed, steady or FM) and make whatever notations your procedure requires on the audiogram form.

CAUTION

Always handle earphones with care. Neither drop them nor permit them to be squeezed together. Severe mechanical shock may change their operating characteristics and require their replacement.

IMPORTANT

Always clean and maintain your earphone cushions, for hygiene purposes. Check periodically for cracking or signs of wear. Cleanse cushions daily or after each use (depending upon population being tested). Use a solution of diluted alcohol or mild soap and water, taking care not to get any of the cleaning solution into the earphone speaker. Use earphones only when completely dry. Insert the earphone cords between the earphone cushions during storage to prevent damage from mechanical shock.

3.2 INSTRUCTING THE SUBJECT

The operator should put the subject as much at ease as possible before the test begins. In addition, he/she should try to make the subject understand how the test is to be conducted and what the subject will hear. For the sake of uniformity, an unvarying explanation is advisable—something close to the following:

“I am going to place these earphones over your ears. You will hear a variety of tones—some high, some low, some loud, some very soft. Whenever you hear, or think you hear one of those sounds, raise your hand. Lower your hand when you no longer hear the sound.

“Remember that though some of the tones will be easy to hear, others will be very faint. Therefore, you should listen very carefully and raise your hand whenever you think you hear the tone.”

Modify the instructions accordingly if the optional response handswitch is to be used.

3.3 PLACEMENT OF EARPHONES

The most important thing to remember is that a good seal is required between the earphone cushion and the subject's head and ear. To increase the likelihood of a good seal:

- a. Eliminate all obstruction between earphone and subject (hair, eyeglasses, earrings, hearing aids, etc.).
- b. Adjust the headband so that it rests solidly on the crown of the subject's head and exerts firm pressure on both ears.
- c. Center earphones carefully over both ears—earphone with red connector on right ear. Take care to eliminate any visible gaps between earphone cushions and portions of the subject's head and the ear on which the cushion rests.

3.4 RESPONSE HANDSWITCH

If the optional Response Handswitch is to be used, insure that the plugs and jacks are properly connected. The subject response indicator on the front panel will be illuminated when the subject presses the response button.

3.5 AUDIOGRAM FORM

The AM 232 Audiogram Form (see Figure 3-1) consists of three distinct parts:

- Space for entering information about the person to be tested.
- A convenient chart for manually plotting test data.
- Space for entering comments about the subject or the test.

Name _____

Age _____ Sex _____ Date _____ Time _____

Job Description _____

AM 232 AUDIOGRAM

Audiometer Model No. _____

Serial No. _____

Examiner _____

Signature _____

HEARING LEVEL IN DECIBELS
ISO 389:1986 ANSI S3.6-1989

TONE FREQUENCY (Hz)

SYMBOLS

Ear	Response	No Response	Phone
Left	X	X	Blue
Right	O	O	Red

COMMENTS

Customer Reorder No. 52300

WelchAllyn
Printed in U.S.A.
232002

FIGURE 3-1: Audiogram Form

3.6 ROUTINE CALIBRATION CHECK

The microprocessor-controlled circuitry and quality construction of the AM 232 Manual Audiometer will provide long and reliable service. It is good practice, however, to make and file, at the start of each month's testing, the audiogram of a single subject or of a small group of subjects who are likely to be routinely available for this purpose. Where physical arrangements permit, the operator can serve as a subject.

This procedure should commence when the audiometer is installed, and be performed each month thereafter. If the AM 232 Manual Audiometer is to be used to monitor employee thresholds as part of an industrial Hearing Conservation Program, this "biological listening check" must be done at the beginning of each day the audiometer is to be used (per CFR 1910.95 Occupational Noise Exposure, March 8, 1983).

Since individual thresholds can shift up or down as much as 5 dB from one day to the next, variation within this range may be considered acceptable. Variations that exceed this range, however, are likely to reveal problems that require attention. The routine maintenance checks described in Section 4 may suggest the source and solution to the problem. If they do not, the instrument should receive technical service by a certified technician before further use.

3.7 ROUTINE TEST ADMINISTRATION

3.7.1 HL Control (F3)

The HL control will increase or decrease the presented intensity in 5 dB HL steps with the currently available intensity appearing on the LCD. Rotating the control knob clockwise increases the intensity. Rotating the control knob counter-clockwise decreases intensity. When the maximum or minimum available intensity is reached for any frequency, the display will flash to alert the operator he/she cannot exceed the available range.

3.7.2 Range Extension Push-Button (F2)

This control allows the operator to present tones of up to 10 dB above the standard maximum HL at any frequency. It will only function when the intensity is set within 10 dB below the maximum standard intensity at any frequency. This feature requires an extra step to access or use the highest available intensities, requiring the operator to make note of those individuals requiring testing at these levels. It also prevents accidental presentation of the highest intensities to normal subjects, and it alerts the operator to present the stimulus for only brief periods of time.

To enable the range extension feature, simply push the button labeled +10 dB. Note the appearance of the "+" sign on the LCD. To disable the feature, either push the button a second time, reduce the intensity (with the HL control knob) to 20 dB below the standard maximum HL, or change any other parameter (frequency knob, routing switch).

3.7.3 Tone Type Selector (F9)

This control allows the operator to choose the type of tone presented to the test subject. It can be set on steady, pulsed (2.5 pulses per second) or FM (warble tone). Pulsed tones and warble tones are often used with difficult-to-test subjects, such as children and hard-of-hearing individuals, because they hold the subject's attention better than the steady tone.

3.8 TYPICAL TESTING SESSION

3.8.1 Pre-Test Review

- a. Turn the instrument on.
- b. Check that the earphones are operating properly.
- c. Seat subject comfortably in the test area.
- d. Explain the test procedure.
- e. Assist subject with the earphones.
- f. Select the desired tone type.
- g. Make appropriate entry on the subject's audiogram.

3.8.2 Familiarization

- a. Set the routing selector to route the test tone to the selected ear. Demonstrate the 1000 Hz tone at a 40 dB level. Duration of tone should be between one and two seconds.
- b. Set HL control to -10 dB.
- c. Practice: Beginning with the tone continuously on (Present Bar held down) gradually increase the intensity by turning the HL control until a response occurs. Switch the tone off for at least two seconds and present the tone again at the same level. If there is a second positive response, proceed to threshold measurement. If a second response does not occur, repeat this step. Practice is preliminary to threshold measurement determination and is to be completed at each new frequency setting.

3.8.3 Threshold Determination (Pure Tone)

- a. The level of the first presentation shall be 10 dB below the level at which the subject responded during the familiarization procedure. Present the tone for a period of one or two seconds. Time between tones can be varied, but not shorter than the duration of the test tone itself. After each failure to respond to a signal, the level is increased by 5 dB until the first response occurs. After the response, the intensity is decreased 10 dB and another ascending series is begun.

NOTE

Descend in 10 dB steps and ascend in 5 dB steps.

- b. The threshold is considered to be the minimum dial setting at which a response has occurred two out of three times. Record this setting on the audiogram form.

3.8.4 Testing Procedure

- a. Repeat 3.8.2 and 3.8.3 for each tone-setting in the following order: 1000, 2000, 3000, 4000, 6000 and 8000 Hz. Retest 1000 followed by 500 and 250. If there is a difference of 20 dB or more between two successive octaves, test the inter-octave responses, i.e. 750, 1500, 3000 Hz. Record this information on the audiogram form.
- b. Repeat process (3.8.2, 3.8.3, 3.8.4) for the other ear.

Section 4 — Routine Maintenance

4.1 CALIBRATION

The biological listening check, or routine check, should be performed at least monthly (see section 3.6 for description and explanation).

The following checks should be made at periodic intervals, even if routine calibration checks do not reveal any problems. These procedures presuppose normal hearing on the part of the person doing the checking.

4.2 EARPHONE CORDS

With extended use, earphone cords tend to fray internally at the junctions of both earphone and audiometer connectors. This fraying will ultimately either decrease the signal level in the associated earphone or cause signals to be intermittent as the cord is flexed.

To check for either condition, set the audiometer frequency control (F7) to 1000 or 2000 Hz, set HL control (F3) at a comfortable audible level, press the Present Bar (F4) and flex earphone cord next to plug at both ends, listening for intermittent signal, abrupt changes in signal level, or a scratchy sound superimposed over the signal that coincides with the flexing of the cord. The presence of any of these three conditions signifies that the cord should be replaced.

Repeat the test for the other earphone.

4.3 HUM AND RANDOM NOISE

This test can be made during the check for attenuator noise. With the instrument set on 1000 Hz, move the HL control (F3) from 0 to 60 dB and listen for low-frequency hum (60 to 120 Hz) and random noise (hiss or low rushing sound) at all attenuator levels. Some audible random noise at levels above 60 dB is permissible. Below 60 dB, however, only the signal should be audible. Any of these noises can be confused with the signal by naive subjects and affect the accuracy of the audiogram. Schedule the audiometer for immediate service if any of the three is detected.

4.4 DISTORTION AND FREQUENCY SHIFT

This check can be best made by listening to the output of the AM 232 Manual Audiometer through the earphones while presenting all 11 frequencies at a loud, but not uncomfortable, level (70 to 80 dB HL for normal ears).

Listen for rattling, rasping or distortion in the tones presented. Listen also to ascertain that signal frequencies change plausibly when the frequency selector (F7) is moved to a new position. If distortion is heard in one earphone but not in the other, the chances are high that the earphones are at fault and should be replaced. In any case, the audiometer should be scheduled for immediate maintenance.

4.5 SPECIAL MESSAGES

The AM 232 Manual Audiometer is a microprocessor-controlled instrument which performs a self-check each time the instrument is turned on (the self-check does not occur when instrument operation resumes from sleep mode). Certain messages will be displayed to the operator on the front panel LCD if any error in the instrument operation is detected. These messages are described below.

4.5.1 CAL

When a transducer or frequency is selected which has a calibration error (e.g., right earphone at 2000 Hz), the word **"CAL"** will be displayed to the operator. The audiometer will not function at this frequency with this transducer, so that no invalid results can be recorded. The word **"CAL"** will be displayed as long as the "problem" transducer and frequency are selected. If the calibration error is an isolated situation, changing either the frequency or the transducer (e.g., left earphone at 3000 Hz) will restore normal instrument function.

As in the case with any instrument malfunction, a certified service technician should be contacted immediately. Remember to make note of the combination of transducer and frequency which resulted in the **"CAL"** message.

4.5.2 Exx

When an error code consisting of an **"E"** and a two-digit number (**xx** = number) appears on the audiometer's display, a system error has been detected. The AM 232 Manual Audiometer will enter a "lock-out" mode which will not permit the instrument to operate. The specific error code will remain on the display for several seconds, then the instrument will shut itself down completely. Should an **Exx** appear on the LCD, take the following steps:

- a. Power down, power up again. This could be only a temporary failure and may never appear again. However, should the **Exx** message appear again, proceed to steps b. and c.
- b. Write down the numbers that appear on the display.
- c. Contact your certified service representative and give them the specific numbers you have recorded.

Service and Warranty Information

SERVICE AND REPAIR

Repair must be performed by authorized personnel. Failure to do so invalidates the AM 232 Manual Audiometer warranty.

For customers in the United States or Canada, please contact Welch Allyn for information on where to return your AM 232 Manual Audiometer for service.

Technical Service Department
Welch Allyn, Inc.
4341 State Street Road
Skaneateles Falls, NY 13153-0220
Tel.: 1-800-535-6663
(In U.S.A. only)

Technical Service Department
Welch Allyn Canada Limited
160 Matheson Boulevard, East
Mississauga, Ontario, Canada L4Z 1V4
Tel.: 1-800-561-8797
(in Canada only)

RECALIBRATION

Welch Allyn recommends that the AM 232 Manual Audiometer be recalibrated annually. Arrangements may be made by returning the instrument registration card or by contacting Welch Allyn's Technical Service Department (as listed above). A moderate fee is charged for recalibration.

WARRANTY

NOTE

Return of the instrument registration card is required for proof of purchase and warranty validation.

Welch Allyn, Inc. warrants the AM 232 Manual Audiometer to be free of original defects in material and workmanship and to perform in accordance with manufacturer's specifications **for a period of one year from the date of purchase**. If this instrument or any component thereof is found to be defective or at variance from the manufacturer's specifications during the warranty period, Welch Allyn will repair, replace or recalibrate the instrument or component(s) at no cost to the purchaser.

This warranty only applies to instruments purchased new from Welch Allyn or its authorized distributors or representatives. The purchaser must return the instrument directly to Welch Allyn or an authorized distributor or representative and bear the costs of shipping.

This warranty does not cover breakage or failure due to tampering, misuse, neglect, accidents, modification or shipping and is void if the instrument is not used in accordance with manufacturer's recommendations or if repaired or serviced by other than Welch Allyn or a Welch Allyn authorized representative.

No other express or implied warranty is given.

RECHARGEABLE BATTERY WARRANTY

Welch Allyn nickel-cadmium batteries are guaranteed by Welch Allyn for two years from date of manufacture (when used in Welch Allyn instruments only). Defective batteries will be replaced on a pro rata basis should failure occur prior to expiration date on battery.

Specifications

Standards

The AM 232 meets ANSI S3.6 and IEC 645 Type 4 Audiometer Standards, and IEC 601-1, CSA C22.2 No. 601-1, and UL 544 electrical standards.

Frequency Range

Discrete Frequencies:

125, 250, 500, 750, 1000, 1500, 2000, 3000, 4000, 6000, 8000 Hz

Accuracy: $\pm 3\%$

Total Harmonic Distortion: $< 2\%$

Intensity

Ranges:

125 Hz, -10 to 50 dB HL

500 to 6000 Hz, -10 to 90 dB HL

250 and 8000 Hz, -10 to 70 dB HL

(increments of 5 dB steps)

NOTE

A "+10" dB switch extends maximum at all frequencies by 10 dB.

Accuracy:

125 to 4000 Hz, ± 3 dB

6000 to 8000 Hz, ± 5 dB

Signal to Noise Ratio: > 70 dB

Tone Type

Rise/Fall Time: 20 to 50 msec

Continuous: Steady when present bar depressed

Pulse: 2.5 pulse/Sec

FM: 5 Hz, $\pm 5\%$

Headset

Telephonics TDH39 Earphones with MX41AR Cushions
(60 ohm impedance)

Power

Line Voltage: 100 to 120 V or 200 to 250 V ($\pm 10\%$)

Range: 50 to 60 Hz ($\pm 5\%$)

Consumption: 9 Watts

Battery

Types: Rechargeable (NiCad) or Non-Rechargeable (Alkaline)

Range: 7.0 V to 9.0 V

Capacity:

NiCad—22 hours continuous operations

Alkaline—45 hours continuous operations

Environmental

Temperature:

Operating, 60° F to 105° F (15° C to 40° C)

Storage, Powerline -40° F to 140° F (-40° C to 60° C)

Storage, Battery -40° F to 105° F (-40° C to 40° C)

Humidity: 5% to 90%

Warm-up Time: 10 minutes for instruments stored at room temperature

Mechanical

Dimensions: 13.25" W x 14" D x 3.75" H
(33.66 cm x 35.56 cm x 9.53 cm)

Weight: 5.6 lb (2.53 kg) net
8 lb (3.64 kg) shipping
10 lb (4.55 kg) shipping with battery included

Accessories

Catalog Numbers

Catalog Listings

23200 AM 232 Manual Audiometer, AC Power (USA)

23205 AM 232 Manual Audiometer, AC Power (**Export**, specify country and voltage)

23210 AM 232 Manual Audiometer, AC Power and Battery (USA)

23215 AM 232 Manual Audiometer, AC Power and Battery (**Export**, specify country and voltage)

Supplied Accessories

23223 Test Headset (TDH39)

52300 Audiogram Forms (1 pad of 50)

232001 Instruction Manual

Optional Accessories

23220 Response Handswitch

23221 Patch Cord, 2 Conductor

23222 Audiocups

72320 Replacement NiCad Battery Only

72329 Battery Pack Assembly

Includes NiCad batteries. May also be used with six (6), Size C Alkaline batteries (not included)

Bibliography

American National Standard Specifications for Audiometers
(ANSI S3.6—1989)

Criteria for Permissible Ambient Noise During Audiometric Testing
(ANSI S3.1—1977)

Methods for Manual Pure-Tone Threshold Audiometry
(ANSI S3.21—1978)

Michael P.L., and Bienvenue, G.R., "Noise Attenuation Characteristics of Supra-Aural Audiometric Headsets Using the Models MX41/AR and 51 Earphone Cushions," *J. Acoust. Soc. Am.*, 70(5), Nov. 1981, 1235-1238

Newby, H.A., *Audiology* (4th ed.), New Jersey: Prentice-Hall Inc. (1979)

U.S. Department of Labor, Occupational Noise Exposure, CFR 1910.95, March 8, 1983


WelchAllyn®

Welch Allyn, Inc.
4341 State Street Road
P.O. Box 220,
Skaneateles Falls, N.Y.
13153-0220 U.S.A.
Tel.: 800-535-6663
(in U.S.A. only) or
315-685-4560
Fax.: 315-685-3361