

PHASER® 860
COLOR PRINTER

ADVANCED FEATURES
AND TROUBLESHOOTING GUIDE





**Phaser® 860 Color Printer
Advanced Features and Troubleshooting Manual**

Copyright © Xerox Corporation. Unpublished rights reserved under the copyright laws of the United States. Contents of this publication may not be reproduced in any form without permission of Xerox Corporation.

Phaser®, PhaserShare®, ColorStix® II, the TekColor® icon, Made For Each Other®, DocuPrint®, WorkSet®, Ethernet®, the stylized X, and XEROX® are registered trademarks of Xerox Corporation. PhaserLink™, PhaserPort™, PhaserPrint™, PhaserSym™, PhaserTools™, infoSMART™, and the TekColor™ name are trademarks of Xerox Corporation. TekColor CareSM and RealSUPPORTSM are service marks of Xerox Corporation.

Adobe®, Acrobat®, Acrobat® Reader, Illustrator®, PageMaker®, Photoshop®, and PostScript®, ATM®, Adobe Garamond®, Birch®, Carta®, Mythos®, Quake®, and Tekton® are registered trademarks and Adobe Jenson™, Adobe Brilliant Screens™ technology, and IntelliSelect™ are trademarks of Adobe Systems Incorporated or its subsidiaries which may be registered in certain jurisdictions.

Apple®, LaserWriter®, LocalTalk®, Macintosh®, Mac® OS, AppleTalk®, TrueType2®, Apple Chancery®, Chicago®, Geneva®, Monaco®, and New York® are registered trademarks, and QuickDraw™ is a trademark of Apple Computer Incorporated.

Marigold™ and Oxford™ are trademarks of AlphaOmega Typography.

Avery™ is a trademark of Avery Dennison Corporation.

FTP® Software is a registered trademark of FTP Software, Incorporated.

PCL® and HP-GL® are registered trademarks of Hewlett-Packard Corporation.

Hoefler Text was designed by the Hoefler Type Foundry.

ITC Avant Guard Gothic®, ITC Bookman®, ITC Lubalin Graph®, ITC Mona Lisa®, ITC Symbol®, ITC Zapf Chancery®, and ITC Zapf Dingbats® are registered trademarks of International Typeface Corporation.

Bernhard Modern™, Clarendon™, Coronet™, Helvetica™, New Century Schoolbook™, Optima™, Palatino™, Stempel Garamond™, Times™, and Univers™ are trademarks of Linotype-Hell AG and/or its subsidiaries.

MS-DOS® and Windows® are registered trademarks of Microsoft Corporation.

Wingdings™ in TrueType® format is a product of Microsoft Corporation. WingDings is a trademark of Microsoft Corporation and TrueType is a registered trademark of Apple Computer, Inc.

Albertus™, Arial™, Gill Sans™, Joanna™, and Times New Roman™ are trademarks of Monotype Corporation.

Antique Olive® is a registered trademark of M. Olive.

Eurostile™ is a trademark of Nebiolo.

Novell® and NetWare® are registered trademarks of Novell, Incorporated.

Sun®, Sun Microsystems®, and Sun Microsystems Computer Corporation® are registered trademarks of Sun Microsystems, Incorporated.

SPARC® is a registered trademark of SPARC International, Incorporated. SPARCstation™ is a trademark of SPARC International, Incorporated, licensed exclusively to Sun Microsystems, Incorporated.

UNIX® is a registered trademark in the US and other countries, licensed exclusively through X/Open Company Limited.

Other marks are trademarks or registered trademarks of the companies with which they are associated.

PANTONE® Colors generated by the Phaser 860 Color Printer are four- and/or three-color process simulations and may not match PANTONE-identified solid color standards. Use current PANTONE Color Reference Manuals for accurate colors.

PANTONE Color simulations are only obtainable on this product when driven by qualified Pantone-licensed software packages. Contact Pantone, Inc. for a current list of qualified licensees. All trademarks noted herein are either the property of Xerox Corporation, Pantone, Inc., or their respective companies. © Pantone, Inc., 1988.

Contents

Advanced Features	1
Print quality modes	2
TekColor™ color corrections	3
Secure prints, proof prints, and saved prints	4
Separation pages	6
Collating copies	6
N-up	7
Booklet printing	8
Negative and mirror images	9
Scaling	9
Watermarks	10
Image smoothing	10
Color and Color Sampler Charts	11
Color Sampler Charts	11
Printing a color sampler chart from the printer's front panel	12
Printing the colors from an application	13
Printing the color sampler charts with CentreWare IS	13
Printing the color sampler charts with utility files	14
PANTONE Colors	15
Printing PANTONE Colors from the color selection book	15
Printing printer-specific PANTONE Colors	15
Installing the PANTONE Color files	16
Printing the PANTONE Color Chart from a Macintosh	16
Printing the PANTONE Color Chart from a PC	17
PhaserPrint Plug-in for Photoshop	18
Installing the plug-in	18
Using the plug-in	18
Fonts	20
Resident typefaces (PostScript)	20
Resident typefaces (PCL5C)	23
Downloading fonts	23
Printing a list of resident fonts	25

Printer Management	27
CentreWare IS Printer Management software	27
Usage Profile	28
Email notification	28
Operational features	30
The printer's Startup Page	30
Protected mode for the front panel menus	31
SysStart Job execution	32
Manual feed timeout	33
Front panel intensity	33
Front panel contrast	34
Intelligent Ready mode	34
Front panel language	35
Selecting the source for cleaning pages	35
Automatic tray switching	35
Printer Utilities	36
Utility files on the printer's CD-ROM	36
Utility files on the Xerox web site	37
Downloading utility files from a Macintosh	38
Using the Apple Printer Utility to perform other tasks	39
Downloading utility files from a PC	40
Troubleshooting Phaser 860 Printers	43
Getting Help	43
Indicator light problems	46
Front panel error messages	47
Problems with automatic two-sided printing	50
Problems printing on labels	51
Print quality problems	52
Printing problems	54
Preventing media jams	55
Specifications for the Phaser 860 Color Printer	57
Regulatory Information for Phaser 860 Printers	59
Canadian EMC (Electromagnetic Compatibility) regulatory standards	59
Declaration of conformity	60
FCC Class B device	61
Index	63

Advanced Features

Your Phaser 860 Color Printer comes with many useful features to help you create the best possible printed documents. You can access the printer features in the printer driver, which you use when you send a print job to the printer. To ensure that you have access to all of the printer features, make sure you have installed the printer driver that comes on your Phaser 860 Printer CD-ROM. Updated printer drivers are also available on the Xerox web site:

www.xerox.com/officeprinting

Note

You can also set some of the features on the printer's front panel. The settings in the printer driver override the front panel settings.

The following features are described in this manual:

- Print quality mode — see page 2
- TekColor correction — see page 3
- Secure prints, proof prints, and saved prints — see page 4
- Separation pages — see page 6
- Collating copies — see page 6
- N-up (multiple pages on a single sheet of paper) — see page 7
- Booklet printing — see page 8
- Negative and mirror images — see page 9
- Scaling — see page 9
- Watermarks — see page 10
- Image smoothing — see page 10

For additional information on these features, refer to the Windows printer driver's online help.

Refer to the *Phaser 860 Color Printer User Guide* for information about two-sided printing, printing on legal paper, or printing on the following special media:

- Phaser High-Resolution Photo Paper
- Phaser Labels and Phaser Business Cards
- Phaser 860 Transparencies
- Envelopes
- Letterhead paper

For information about fonts, refer to page 20.

For information about using color, refer to page 11.

Print quality modes

You can choose between different print quality modes to obtain the best combination of speed and print quality for your job.

Print quality mode	Maximum speed*
Fast Color <ul style="list-style-type: none"> ■ Fastest color print mode ■ Ink-saving mode since prints lighter than Standard mode ■ Useful for text and business graphics ■ Ideal for previewing work ■ Produces fast, high-quality transparencies ■ Can select Darken Text to have the printer add a small amount of color ink to the black text to make it darker and sharper 	16 ppm Paper 7 ppm Transparency
Standard <ul style="list-style-type: none"> ■ General-purpose mode for color printing ■ Produces vibrant, saturated prints with smooth color transitions ■ Suitable for most office uses and images ■ Best quality mode for printing transparencies 	10 ppm Paper 3.5 ppm Transparency
Enhanced <ul style="list-style-type: none"> ■ Balance of high quality and fast speed ■ Increases color saturation compared to Standard mode ■ Smoothest and brightest large-area fills ■ Useful for printing paper copies of overhead presentations 	6 ppm Paper †
High Resolution/Photo <ul style="list-style-type: none"> ■ Highest-quality color prints ■ Richest color and near-photographic detail ■ Makes very fine lines, sharp edges, and small text sharper ■ 1200 x 600 dpi ■ Printer must have the DP Features Set (or must be a DX model) 	3.5 ppm Paper †

* Approximate number of pages per minute based on prints with margins of .5 in. or greater; does not include image processing time.

† Transparencies are printed in Standard mode even if you select Enhanced or High Resolution/Photo mode.

You can specify the print quality in a supported driver:

- **Windows 95 / Windows 98 PostScript driver:**
On the **Setup** tab, select a print quality by clicking or dragging the scroll bar.
- **Windows 2000 PostScript driver:**
On the **Paper/Quality** tab, select a print quality by clicking or dragging the scroll bar.
- **Windows NT PostScript driver:**
On the **Print Quality** tab, select a print quality by clicking or dragging the scroll bar.
- **LaserWriter 8.6 or 8.7 driver:**
In the **Print** dialog box, select the **Print Quality/Color** pull-down menu, then select the desired mode for **Quality**.

TekColor™ color corrections

You can select a color correction to match particular press specifications or simulate your computer screen's colors. Otherwise, select **Automatic** to let the printer automatically pick the best color correction for elements in your document.

Color correction	Description
Automatic	<ul style="list-style-type: none"> Automatically optimizes the color correction for each element (text, graphics, and photographs) on the page
sRGB Display	<ul style="list-style-type: none"> Closely approximates the colors on a standard display screen
Vivid Color	<ul style="list-style-type: none"> Produces the brightest possible colors and makes blues appear less purple
None	<ul style="list-style-type: none"> Doesn't use a color correction so the colors you specified in the application for your job are not altered Use when you have specified colors from the PANTONE® Color Chart
SWOP Press	<ul style="list-style-type: none"> Matches U.S. press standards using the Specification for Web Offset Publications
Euroscale Press	<ul style="list-style-type: none"> Emulates the Euroscale 4-color process press mode
Commercial Press	<ul style="list-style-type: none"> Emulates a 4-color process commercial press mode
SNAP Press	<ul style="list-style-type: none"> Matches the standards for printing on uncoated and newsprint papers using the Specifications for Non-Heat Advertising Printing
DIC	<ul style="list-style-type: none"> Matches Dai Nippon printing inks on coated paper
Toyo	<ul style="list-style-type: none"> Matches commercial Toyo printing inks on coated paper
FujiProof	<ul style="list-style-type: none"> Matches the Fuji Color Art System for commercial North American proofs
Black and White	<ul style="list-style-type: none"> Produces a black-and-white version of a document Colors converted to grayscale Use to print page masters for photocopying in black-and-white

You can specify the color correction in a supported driver:

- Windows 95 / Windows 98 PostScript driver:**
 On the **TekColor** tab, select the desired color correction. Some of the color corrections are grouped under **Office Color** and **Press Match Color**.
- Windows 2000 / Windows NT PostScript driver:**
 On the **TekColor** tab, select the desired color correction. Some of the color corrections are grouped under **Office Color** and **Press Match Color**.
- LaserWriter 8.6 or 8.7 driver:**
 In the **Print** dialog box, select the **Print Quality/Color** pull-down menu, then select the desired correction for **Color**.

Secure prints, proof prints, and saved prints

You can choose one of the following special job types:

- **Secure Print:** Print a confidential document; the password-protected job is stored on the printer's hard disk drive. The job prints only after you enter the password on the printer's front panel.
- **Proof Print:** Print only one copy of the job so you can proof the copy. If you want to print the remaining copies, select the job name on the printer's front panel.
- **Saved Print:** Store the job on the hard disk so you can print it on demand. The job isn't deleted after printing.

Note

The printer must have a hard disk installed (and the DP Feature Set) to do secure prints, proof prints, and saved prints. These jobs are stored on the hard drive and remain in the printer even when it is powered off.

Printing secure print, proof print, and saved print jobs

You specify that the job is a secure print, proof print, or saved print job in a supported driver:

- **Windows 95 / Windows 98 PostScript driver:**
On the **Setup** tab, choose the job type. For a secure print, also enter a four-digit password to assign to this job. For proof prints and saved prints, also enter the name you want to give this job.
- **Windows 2000 / Windows NT driver:**
On the **Output Options** tab, choose the job type. For a secure print, also enter a four-digit password to assign to this job. For proof prints and saved prints, also enter the name you want to give this job.
- **LaserWriter 8.6 or 8.7 driver:**
In the **Print** dialog box, select the **Job Type** pull-down menu, then choose the job type. For a secure print, also enter a four-digit password to assign to this job. For saved prints, also enter the name you want to give this job.

To print a secure job, specify the password on the printer's front panel:

1. With **Menus** highlighted, press the Scroll Down key to scroll to **Printable Pages**.
2. Press the **OK** key.
3. If necessary, scroll to **Secure Print Jobs**.
4. Press the **OK** key.
5. Press the **Scroll Down** or **Scroll Up** key to scroll to the correct number for the first digit of the password, then press the **OK** key to accept that digit.
6. Repeat step 5 for the second, third, and fourth digits.
7. If necessary, press the **Scroll Down** key to scroll to **Print**.
8. Press the **OK** key to print the job with that password.

To print a saved print job or the remaining copies of a proof print job, select the job name on the printer's front panel:

1. With **Menus** highlighted, press the **Scroll Down** key to scroll to **Printable Pages**.
2. Press the **OK** key.
3. If necessary, scroll to **Proof Print Jobs** or **Saved Print Jobs**.
4. Press the **OK** key.
5. Scroll until you find your job name.
6. Press the **OK** key.
7. If necessary, scroll to **Print**.
8. Press the **OK** key.
9. Scroll to the desired number of copies.
10. Press the **OK** key to print the job.

Deleting secure print, proof print, and saved print jobs

Secure print, proof print, and saved print jobs remain on the printer's hard drive even when you turn off the printer. After printing, secure print and proof print jobs are automatically deleted. However, if you decide you don't want to print the secure job or don't want to print the remaining copies of the proof job, delete the job using the printer's front panel. You can also delete saved print jobs.

Note

You will overwrite a proof print, saved print, or secure print job if you send a second job of the same type with the same name or password.

To delete a secure job, specify the password of the job on the printer's front panel:

1. With **Menus** highlighted, press the **OK** key.
2. Press the **Scroll Down** key to scroll to the **Printable Pages Menu**.
3. Press the **OK** key.
4. If necessary, scroll to **Secure Print Jobs**.
5. Press the **OK** key.
6. Press the **Scroll Down** or **Scroll Up** key to scroll to the correct number for the first digit of the password, then press the **OK** key to accept that digit.
7. Repeat step 6 for the second, third, and fourth digits.
8. Scroll to **Delete**.
9. Press the **OK** key to delete the job with that password.

To delete a saved print job or the remaining copies of a proof print job, select the job name on the printer's front panel:

1. With **Menus** highlighted, press the **OK** key.
2. Press the **Scroll Down** key to scroll to the **Printable Pages Menu**.
3. Press the **OK** key.
4. If necessary, scroll to **Proof Print Jobs** or **Saved Print Jobs**.
5. Press the **OK** key.
6. Scroll until you find your job name.
7. Press the **OK** key.
8. Scroll to **Delete**.
9. Press the **OK** key to delete the job.

Separation pages

You can have the printer insert a *separation page* (a divider page) after a print job, between copies of a print job, or between individual pages of a print job. You can also specify the tray/source to use for the separation pages.

You can specify separation pages in a supported driver:

- **Windows 95 / Windows 98 PostScript driver:**
On the **Output Options** tab, select the location of the separation pages and, if desired, the source.
- **Windows 2000 / Windows NT driver:**
On the **Output Options** tab, select the location of the separation pages and, if desired, the source.
- **LaserWriter 8.6 or 8.7 driver:**
In the **Print** dialog box, select the **Advanced Media Handling** pull-down menu, then select the location of the separation pages and, if desired, the source.

Collating copies

When you print multiple copies of a print job, you can have it collated at the printer. Each copy (pages 1, 2, and 3, etc.) is printed before the next copy. Otherwise, the printer prints all copies of page 1, then all copies of page 2, etc.

Note

To use the Collate feature, the printer must have the optional hard drive and the DP Feature Set.

Note

Many applications have a collate option when you select **Print** in the application. Collation done at the printer is faster than collation performed by an application. For faster printing of a collated job, select collation in the printer driver (as described below) and do not select collation in the application.

You can specify collation in a supported driver:

- **Windows 95 / Windows 98 PostScript driver:**
On the **Output Options** tab, check the **Collate** checkbox.
- **Windows 2000 / Windows NT driver:**
On the **Output Options** tab, check the **Collate** checkbox.
- **LaserWriter 8.6 or 8.7 driver:**
In the **Print** dialog box, select the **Advanced Media Handling** pull-down menu, then select whether to have **Quick Collate** on or off.

N-up

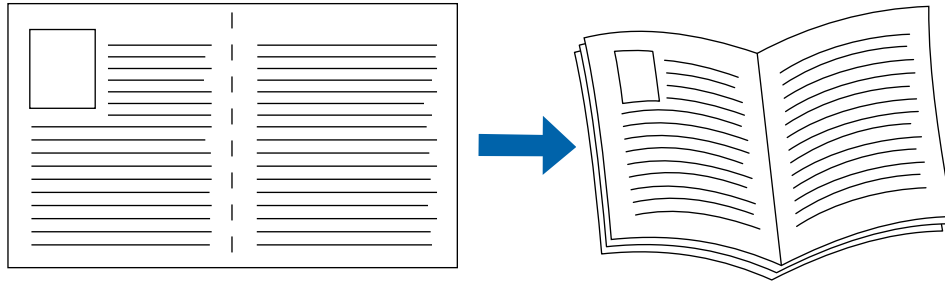
When printing a multiple-page document, you can choose to print more than one page on a single sheet of paper. You can choose to print one, two, four, six, nine, or sixteen pages per sheet. When you print more than one page on a sheet, you can also print a border around each page.

You can select N-up in a supported driver:

- **Windows 95 / Windows 98 PostScript driver:**
On the **Setup** tab, click the **More Layout Options** button, then choose the number of pages per sheet in the **More Layout Options** dialog box.
- **Windows 2000 driver:**
On the **Layout** tab, choose the number of pages per sheet from the drop-down list.
- **Windows NT driver:**
On the **Advanced** tab under **Document Options**, select the desired **Page Layout (N-up) Option**.
- **LaserWriter 8.6 or 8.7 driver:**
In the **Print** dialog box, select the **Layout** pull-down menu, then select the number of pages per sheet.

Booklet printing

You can print a document in the form of a small book. The printer automatically reduces each page image by 50 percent and prints two pages per sheet of paper. The pages are printed in the correct order so that you can fold and staple the pages to create a booklet.

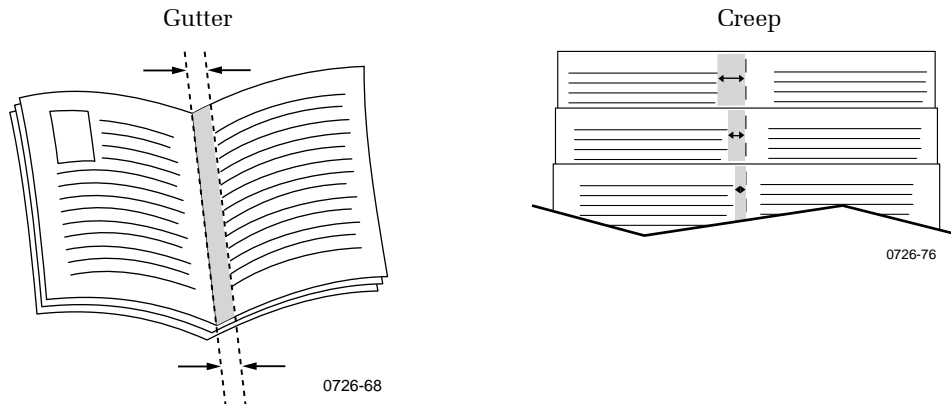


0726-67

Note

To use this feature, the printer must have the DP Feature Set. You can create booklets for any paper size that is supported for 2-sided (duplex) printing.

When you choose Print Booklet Style, you can also print a border around each page and specify the *creep* and *gutter*. The gutter is the horizontal distance from the fold to the page image (in points). The creep is the distance that page images are shifted inward (in 10ths of a point); this compensates for the thickness of the folded paper, which otherwise would cause the page images to shift slightly outward.



You can select booklet printing in a supported driver:

- **Windows 95 / Windows 98 PostScript driver:**
On the **Setup** tab, click the **More Layout Options** button, then check the **Print Booklet Style** checkbox in the **More Layout Options** dialog box.
- **Windows 2000 driver:**
On the **Layout** tab, choose **Booklet** from the drop-down list.

Negative and mirror images

You can print your pages as a negative image (reverses the light and dark areas in your printed image) and/or mirror image (flips images horizontally on pages when printed).

You can select negative or mirror images in a supported driver:

- **Windows 95 / Windows 98 PostScript driver:**
On the **Setup** tab, click the **More Layout Options** button, then click the **Print as a Negative Image** and/or **Print as a Mirror Image** checkbox in the **More Layout Options** dialog box.
- **Windows 2000 driver:**
From the **Layout** tab or **Paper/Quality** tab, click the **Advanced** button. In the dialog box under **Document Options** and **PostScript Options**, select either **Yes** or **No** for **Mirrored Output** and **Negative Output**.
- **Windows NT driver:**
On the **Advanced** tab under **Document Options** and **PostScript Options**, select either **Yes** or **No** for **Mirrored Output**.
- **LaserWriter 8.6 or 8.7 driver:**
From the **File** menu, select **Page Setup**, choose **PostScript Options** from the pull-down menu, and then select **Invert Image** (to print a negative image) or **Flip Horizontal** (to print a mirror image).

Scaling

You can reduce or enlarge your page images when they are printed. You select a scaling value between 25 and 400 percent. The default is 100 percent.

You can scale the pages by using the supported driver:

- **Windows 95 / Windows 98 PostScript driver:**
On the **Setup** tab, click the **More Layout Options** button, then specify the percentage to scale in the **More Layout Options** dialog box.
- **Windows 2000 driver:**
From the **Layout** tab or **Paper/Quality** tab, click the **Advanced** button. In the dialog box under **Graphic**, select the desired percentage for **Scaling**.
- **Windows NT driver:**
On the **Advanced** tab under **Graphic**, select the desired percentage for **Scaling**.
- **LaserWriter 8.6 or 8.7 driver:**
From the **File** menu, select **Page Setup** and then specify the percentage in the box after **Scale**.

Watermarks

A watermark is text (independent of that provided by the printing application) that is printed on the first page or every page of the document. You can create a watermark or edit an existing watermark's text, color, location, and angle. You can also choose to print the watermark only on the first page, print the watermark in the background, or print the text of the watermark as an outline (instead of filled text).

Note

Not all applications support watermark printing.

You can select, create, and edit watermarks using a supported driver:

- **Windows 95 / Windows 98 PostScript driver:**
On the **Setup** tab, click the **More Layout Options** button, and then click the **Watermark** button to display the **Watermarks** dialog box.
- **Windows 2000 driver:**
From the **Layout** tab or **Paper/Quality** tab, click the **Advanced** button. In the dialog box, select the desired **Watermark**.

Image smoothing

Image Smoothing blends adjacent colors in low-resolution images for smoother color transitions. For example, use Image Smoothing to improve the appearance of a 72-dpi image downloaded from the World Wide Web. Image Smoothing is not recommended for 300-dpi or higher images.

You can turn Image Smoothing on in a supported driver:

- **Windows 95 / Windows 98 PostScript driver:**
On the **Setup** tab, click the **More Layout Options** button, then click the **Image Smoothing** checkbox in the **More Layout Options** dialog box.
- **Windows 2000 driver:**
From the **Layout** tab or **Paper/Quality** tab, click the **Advanced** button. In the dialog box under **Printer Features**, select either **On** or **Off** for **Image Smoothing**.
- **Windows NT driver:**
On the **Advanced** tab under **Printer Features**, select either **On** or **Off** for **Image Smoothing**.
- **LaserWriter 8.6 or 8.7 driver:**
In the **Print** dialog box, select the **Advanced Media Handling** pull-down menu, then select whether to have **Image Smoothing** on or off.

Color and Color Sampler Charts

You can have the colors on your print match particular press specifications or match your computer screen's colors. To do this, pick a color correction in the printer driver; see page 3 for more information.

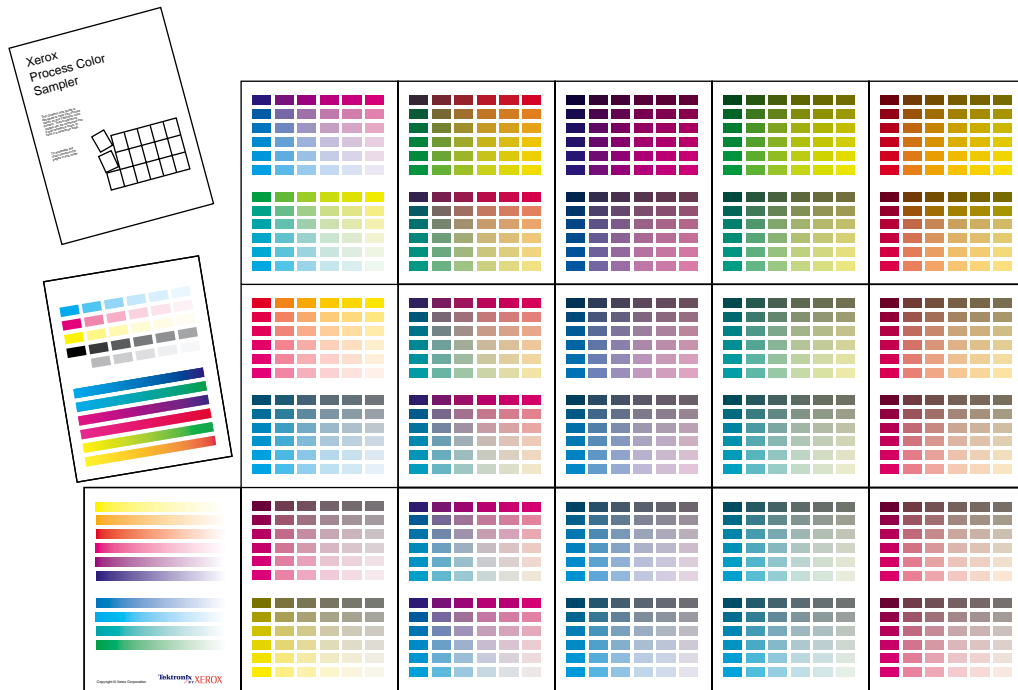
You can use color sampler charts to help select the colors to use in your application. Refer to the next section for more information.

For information on PANTONE Colors, refer to page 15.

Color Sampler Charts

Color sampler charts are colored rectangles with each color's component values; they help you select colors in an application that can be reproduced on your printer.

Component values are percentages of each color — CMYK (Cyan, Magenta, Yellow, Black), RGB (Red, Green, Blue), or HSB (Hue, Saturation, Brightness) — that combine to make a particular color.



0726-89

Which color chart you print and use depends on how your application selects color. For information on color selection, refer to the application's documentation, then print one or more of the color sampler charts.

Color and Color Sampler Charts

Each color sampler chart is several pages long. Either:

- Print them in panels and connect them to form a wall chart
- Print them and place them in a binder for easy reference

Note

For information on printing the PANTONE Color sampler chart, refer to page 16.

Color sampler chart descriptions

Color sampler chart		Number of pages*	Front panel selection	CentreWare IS	Utility file
CMYK Sampler Chart	Cyan, magenta, yellow, and black color model	18	●	●	●
RGB Sampler Chart	Red, green, and blue color model	12	●	●	●
HSB Sampler Chart	Hue, saturation, and brightness color model	12			●

* This is the number of pages if you use one-sided printing; if you use two-sided printing, the number of pages will be half of this value.

Depending on the type of color sampler chart, you can print the chart by using:

- A selection on the printer's front panel
- CentreWare Internet Services
- A utility file

Printing a color sampler chart from the printer's front panel

Note

Use the same print quality mode and color correction to print the chart that you plan to use when printing from your application; see page 3 for more information. If you use any other print quality mode or color correction in the printer driver when you print from an application, the colors may not match the chart.

To specify the print quality mode and color correction to use for the color sampler chart, on the printer's front panel:

1. With **Menus** highlighted, press the **OK** key.
2. Press the **Scroll Down** key to scroll to the **Printer Setup Menu**.
3. Press the **OK** key.
4. Scroll to **Job Defaults Menu**.
5. Press the **OK** key.
6. With **Set Print Quality Mode** highlighted, press the **OK** key.
7. Scroll to the print quality mode you want.

8. Press the **OK** key to select that print quality mode.
9. Press the **Back** key to return to the **Job Defaults Menu** again.
10. Scroll to **Set TekColor Correction**.
11. Press the **OK** key.
12. Scroll to the color correction you want.
13. Press the **OK** key to select that color correction.

To print the color sampler chart, on the printer's front panel:

1. With **Menus** highlighted, press the **OK** key.
2. Press the **Scroll Down** key to scroll to the **Printable Pages Menu**.
3. Press the **OK** key.
4. Scroll to either **Print CMYK Sampler Pages** or **Print RGB Sampler Pages**.
5. Press the **OK** key.

Printing the colors from an application

1. Using the color sampler chart, select the desired colors in your application.
2. From your application, apply the desired colors in your document or graphic by entering the specific CMYK or RGB values as indicated on the sampler chart.
3. When you print your document or graphic, select the same color correction and print quality mode in the printer driver that you used to print the color sampler chart.

Printing the color sampler charts with CentreWare IS

1. Access your printer's Internet Services home page; refer to page 27 for more information.
2. Click the **Print** button to display the **Print** tab.
3. On the left side of the page, click **Print Color Samplers**.
4. On the **Print Color Samplers** page, select the color sampler (either RGB or CMYK) and click the green button.

Printing the color sampler charts with utility files

From a Macintosh

1. To print the color sampler charts with utility files, use the *Apple Printer Utility*. For information about installing the *Apple Printer Utility*, refer to page 36.
2. Download the desired color sampler utility file to the printer. Refer to page 38 for the steps to download utility files using the *Apple Printer Utility*.

From a PC or workstation

1. Locate the utility files on the CD-ROM in the **phsr860** folder inside the **utility** folder. For more information, refer to page 36. You can use the files directly from the CD-ROM or copy the files to your computer's hard disk.
2. Download the desired color sampler utility file to the printer. Refer to page 40 for the steps to download utility files; the procedure depends on the operating system your PC uses.

PANTONE Colors

PANTONE Color files for your printer include printer-specific color library files for some specific applications and a file to print the PANTONE Color sampler chart.

For the latest information on color libraries, contact your local Xerox reseller or visit the Xerox web site at:

www.xerox.com/officeprinting

Printing PANTONE Colors from the color selection book

In some applications, you can select colors from the *PANTONE Process Imaging Guide*. These colors can be proofed on your Phaser printer before final output on a printing press. For this method, the printer-specific PANTONE Color files are not required.

1. From the application, select and apply PANTONE Colors. Use the individual color values from the *PANTONE Process Imaging Guide*.
2. Print your document, selecting **Commercial Press** or **SWOP Press** for the color correction in the printer driver; see page 3 for more information.
3. When you are satisfied with the proof, the file can be separated for printing press plates without adjustment to the file.

Printing printer-specific PANTONE Colors

Your printer can produce process color simulations of PANTONE Spot Colors.

1. Print a copy of the PANTONE Color chart; see page 16 for more information.
2. Within the application, define the desired color in your document by using the individual CMYK values that appear on the sampler chart.
3. Print your document, selecting **None** for the color correction in the printer driver; (see page 3 for more information). For best results, use the proper print quality setting and the same type of paper that you used to print the PANTONE Color chart.

For final output on a color printing press (colors printed as a process color, not spot colors):

1. Open the application.
2. Replace the printer's PANTONE process Colors with standard PANTONE Colors.
3. Separate the file for printing press plates.

Installing the PANTONE Color files

To install the files from the web:

1. Start your web browser (such as Netscape Navigator or Internet Explorer).
2. Enter the following web address:
www.xerox.com/officeprinting/
3. Choose the **Phaser 860** printer from the drop-down list.
4. From the pull-down lists, select your computer platform and **PANTONE** for type of file.
5. Click the **Go** button to search the web site and display the list of files to download.
6. For each file that you want to download, click on the name of the file, select **Save this file to disk**, click the **OK** button, select the location to save the file, and click the **Save** button.

The requested file is downloaded to your computer.

7. Repeat step 5 for all files that you want to download.
8. Navigate to the location where you saved the file(s) and extract the file.

Printing the PANTONE Color Chart from a Macintosh

To print individual pages from the PANTONE Color chart, use Acrobat Reader:

1. To install Acrobat Reader, insert the printer's CD-ROM in your computer's drive, go to the *Utilities* folder, and follow the on-screen instructions to install Acrobat Reader onto your computer's hard disk.
2. Locate the Pantone files you downloaded from the web site and double-click the desired PDF file.
3. View and print pages from the PDF file. For best results, print on paper.

Note

Print only with the **None** color correction, since other settings cause PANTONE Colors to print differently than expected. Refer to page 3 for more information.

For best results and truest color:

- Print the chart on Phaser Premium Color Printing Paper.
- Select one-sided printing when printing the color chart in order to reduce the effects of color show-through.

Printing the PANTONE Color Chart from a PC

To print individual pages from the PANTONE Color chart, use Acrobat Reader:

1. To install Acrobat Reader, insert the printer's CD-ROM in your computer's drive, go to the *Utilities* folder, and follow the on-screen instructions to install Acrobat Reader onto your computer's hard disk.
2. Locate the Pantone files you downloaded from the web site and double-click the desired PDF file.
3. View and print pages from the PDF file. For best results, print on paper.

Note

Print only with the **None** color correction, since other settings cause PANTONE Colors to print differently than expected. Refer to page 3 for more information.

For best results and truest color:

- Print the chart on Phaser Premium Color Printing Paper.
- Select one-sided printing when printing the color chart in order to reduce the effects of color show-through.

PhaserPrint Plug-in for Photoshop

The PhaserPrint™ plug-in, included on the printer's CD-ROM, operates within the Photoshop application on Macintosh computers. With PhaserPrint, you can improve image transfer time and gain easy access to Phaser printer features and other media features.

Note

PhaserPrint software produces correct output only on supported Phaser printers. If you use this plug-in with a printer not listed in the PhaserPrint dialog box, the image may be placed incorrectly on the page, the colors may look incorrect, or the file may not print.

Installing the plug-in

Compatibility requirements:

- Photoshop 3.0 and higher
- System 7.6.1 and higher

To install the plug-in on the Macintosh:

1. From the printer's CD-ROM, run the *Installer* application.
2. Select either **Easy Install** or **Custom Install**.
3. When performing a custom install, select **PhaserPrint plug-in for Photoshop**.
4. Click the **Install** button. The file is then installed in the Photoshop application's folder on your computer's hard disk.

Using the plug-in

1. Specify the default printer:
 - a. Open the **Chooser**.
 - b. Select a PostScript driver (such as the Apple LaserWriter 8).
 - c. Select your printer.

PhaserPrint software works like a printer driver, and prints to the printer you selected in the **Chooser**.

2. Open Photoshop and open an image file.

3. From Photoshop's **Mode** menu, select one of the following image modes supported by PhaserPrint:
 - Grayscale
 - Indexed Color
 - RGB Color
 - CMYK Color
 - Lab Color
4. From the **File** menu, select **Export** and then select **PhaserPrint**.
5. In the **PhaserPrint** dialog box, select your printer in the **Printer Model** field.
6. Make other selections in the **PhaserPrint** dialog box. For more information on the selections in the dialog box or the plug-in's features, refer to the online help.
7. Click the **Print** button in the **PhaserPrint** dialog box.

Fonts

Your Phaser 860 Color Printer uses the following types of fonts:

- Resident fonts
- Fonts downloaded onto the hard drive
- Fonts downloaded into memory
- Fonts downloaded with your print job from the application

ATM (Adobe Type Manager) software helps your computer display these fonts on screen as they will appear in your prints. If you don't already have ATM on your computer, install it from the printer's CD-ROM. Also install the printer's screen fonts from the ATM folder.

Resident typefaces (PostScript)

Printer-resident fonts are always available for printing. All printer configurations are shipped with 136 resident fonts plus the Central and Eastern European encoding for many of the fonts. To print a sample of the printer's fonts, see page 25.

Resident Roman typefaces:

AdobeSansMM	
AdobeSerifMM	
AlbertusMT	
AlbertusMT-Italic	
AlbertusMT-Light	
AntiqueOlive-Bold	AntiqueOliveCE-Bold
AntiqueOlive-Compact	AntiqueOliveCE-Compact
AntiqueOlive-Italic	AntiqueOliveCE-Italic
AntiqueOlive-Roman	AntiqueOliveCE-Roman
Apple-Chancery	Apple-ChanceryCE
Arial-BoldItalicMT	ArialCE
Arial-BoldMT	ArialCE-Bold
Arial-ItalicMT	ArialCE-BoldItalic
ArialMT	ArialCE-Italic
AvantGarde-Book	AvantGardeCE-Book
AvantGarde-BookOblique	AvantGardeCE-BookOblique
AvantGarde-Demi	AvantGardeCE-Demi
AvantGarde-DemiOblique	AvantGardeCE-DemiOblique
Bodoni	BodoniCE
Bodoni-Bold	BodoniCE-Bold
Bodoni-BoldItalic	BodoniCE-BoldItalic
Bodoni-Italic	BodoniCE-Italic
Bodoni-Poster	BodoniCE-Poster
Bodoni-PosterCompressed	BodoniCE-PosterCompressed
Bookman-Demi	BookmanCE-Demi
Bookman-DemiItalic	BookmanCE-DemiItalic
Bookman-Light	BookmanCE-Light
Bookman-LightItalic	BookmanCE-LightItalic

Carta	
Chicago	ChicagoCE
Clarendon	ClarendonCE
Clarendon-Bold	ClarendonCE-Bold
Clarendon-Light	ClarendonCE-Light
CooperBlack	
CooperBlack-Italic	
Copperplate-ThirtyThreeBC	
Copperplate-ThirtyTwoBC	
Coronet-Regular	CoronetCE-Regular
Courier	CourierCE
Courier-Bold	CourierCE-Bold
Courier-BoldOblique	CourierCE-BoldOblique
Courier-Oblique	CourierCE-Oblique
Eurostile	EurostileCE
Eurostile-Bold	EurostileCE-Bold
Eurostile-BoldExtendedTwo	EurostileCE-BoldExtendedTwo
Eurostile-ExtendedTwo	EurostileCE-ExtendedTwo
Geneva	GenevaCE
GillSans	GillSansCE-Bold
GillSans-Bold	GillSansCE-BoldCondensed
GillSans-BoldCondensed	GillSansCE-BoldItalic
GillSans-BoldItalic	GillSansCE-Condensed
GillSans-Condensed	GillSansCE-ExtraBold
GillSans-ExtraBold	GillSansCE-Italic
GillSans-Italic	GillSansCE-Light
GillSans-Light	GillSansCE-LightItalic
GillSans-LightItalic	GillSansCE-Roman
Goudy	
Goudy-Bold	
Goudy-BoldItalic	
Goudy-ExtraBold	
Goudy-Italic	
Helvetica	HelveticaCE
Helvetica-Bold	HelveticaCE-Bold
Helvetica-BoldOblique	HelveticaCE-BoldOblique
Helvetica-Condensed	HelveticaCE-Cond
Helvetica-Condensed-Bold	HelveticaCE-CondBold
Helvetica-Condensed-BoldObl	HelveticaCE-CondBoldObl
Helvetica-Condensed-Oblique	HelveticaCE-CondObl
Helvetica-Narrow	HelveticaCE-Narrow
Helvetica-Narrow-Bold	HelveticaCE-NarrowBold
Helvetica-Narrow-BoldOblique	HelveticaCE-NarrowBoldOblique
Helvetica-Narrow-Oblique	HelveticaCE-NarrowOblique
Helvetica-Oblique	HelveticaCE-Oblique
HoeflerText-Black	HoeflerTextCE-Black
HoeflerText-BlackItalic	HoeflerTextCE-BlackItalic
HoeflerText-Italic	HoeflerTextCE-Italic
HoeflerText-Ornaments	HoeflerTextCE-Regular
HoeflerText-Regular	
JoannaMT	JoannaMTCE
JoannaMT-Bold	JoannaMTCE-Bold
JoannaMT-BoldItalic	JoannaMTCE-BoldItalic
JoannaMT-Italic	JoannaMTCE-Italic
LetterGothic	LetterGothicCE
LetterGothic-Bold	LetterGothicCE-Bold
LetterGothic-BoldSlanted	LetterGothicCE-BoldSlanted
LetterGothic-Slanted	LetterGothicCE-Slanted

Fonts

LubalinGraph-Book	LubalinGraphCE-Book
LubalinGraph-BookOblique	LubalinGraphCE-BookOblique
LubalinGraph-Demi	LubalinGraphCE-Demi
LubalinGraph-DemiOblique	LubalinGraphCE-DemiOblique
Marigold	
MonaLisa-Recut	
Monaco	MonacoCE
NewCenturySchlbk-Bold	NewCenturySchlbkCE-Bold
NewCenturySchlbk-BoldItalic	NewCenturySchlbkCE-BoldItalic
NewCenturySchlbk-Italic	NewCenturySchlbkCE-Italic
NewCenturySchlbk-Roman	NewCenturySchlbkCE-Roman
NewYork	NewYorkCE
NotDefFont	
Optima	OptimaCE-Bold
Optima-Bold	OptimaCE-BoldItalic
Optima-BoldItalic	OptimaCE-Italic
Optima-Italic	OptimaCE-Roman
Oxford	
Palatino-Bold	PalatinoCE-Bold
Palatino-BoldItalic	PalatinoCE-BoldItalic
Palatino-Italic	PalatinoCE-Italic
Palatino-Roman	PalatinoCE-Roman
StempelGaramond-Bold	StempelGaramondCE-Bold
StempelGaramond-BoldItalic	StempelGaramondCE-BoldItalic
StempelGaramond-Italic	StempelGaramondCE-Italic
StempelGaramond-Roman	StempelGaramondCE-Roman
Symbol	
Tekton	
Times-Bold	TimesCE-Bold
Times-BoldItalic	TimesCE-BoldItalic
Times-Italic	TimesCE-Italic
Times-Roman	TimesCE-Roman
TimesNewRomanPS-BoldItalicMT	TimesNewRomanCE
TimesNewRomanPS-BoldMT	TimesNewRomanCE-Bold
TimesNewRomanPS-ItalicMT	TimesNewRomanCE-BoldItalic
TimesNewRomanPSMT	TimesNewRomanCE-Italic
Univers	UniversCE-Bold
Univers-Bold	UniversCE-BoldExt
Univers-BoldExt	UniversCE-BoldExtObl
Univers-BoldExtObl	UniversCE-BoldOblique
Univers-BoldOblique	UniversCE-Condensed
Univers-Condensed	UniversCE-CondensedBold
Univers-CondensedBold	UniversCE-CondensedBoldOblique
Univers-CondensedBoldOblique	UniversCE-CondensedOblique
Univers-CondensedOblique	UniversCE-Extended
Univers-Extended	UniversCE-ExtendedObl
Univers-ExtendedObl	UniversCE-Light
Univers-Light	UniversCE-LightOblique
Univers-LightOblique	UniversCE-Medium
Univers-Oblique	UniversCE-Oblique
Wingdings-Regular	
ZapfChancery-MediumItalic	ZapfChanceryCE-MediumItalic
ZapfDingbats	

Resident typefaces (PCL5C)

For PCL5C (Printer Command Language) printing, the printer supports Courier, Times, and Universe typefaces in medium, bold, italic medium, and italic bold. In addition, there are 46 PCL fonts. The printer port must be set to **AutoSelect** (which is the default) for the printer to accept PCL data.

Resident PCL typefaces

AlbertusE-ExtraBold	MarigoldE
AlbertusE-Medium	OptimaE-Bold
AntiqueOliveE-Bold	OptimaE-BoldItalic
AntiqueOliveE-Italic	OptimaE-Italic
AntiqueOliveE-Regular	OptimaE-Regular
ArialE	SymbolE
ArialE-Bold	TimesE-Bold
ArialE-BoldItalic	TimesE-BoldItalic
ArialE-Italic	TimesE-Italic
ClarendonE-Condensed	TimesE-Roman
CoronetE	TimesNewRomanE
CourierE-Bold	TimesNewRomanE-Bold
CourierE-BoldItalic	TimesNewRomanE-BoldItalic
CourierE-Italic	TimesNewRomanE-Italic
CourierE-Regular	UniversE-Bold
GaramondE-Antiqua	UniversE-BoldCondensed
GaramondE-Halbfett	UniversE-BoldCondensedItalic
GaramondE-Kursiv	UniversE-BoldItalic
GaramondE-KursivHalbfett	UniversE-Condensed
LetterGothicE-Bold	UniversE-CondensedItalic
LetterGothicE-Italic	UniversE-Italic
LetterGothicE-Regular	UniversE-Medium

Downloading fonts

To supplement the resident fonts (which are always available for printing), downloadable fonts can be sent from your computer and be stored in the printer's memory or on a hard drive. Adding more printer memory or a hard drive expands the number of fonts that can be stored on your printer. Refer to the *Phaser 860 Color Printer User Guide* or the Xerox web site for part numbers of the hard drive and memory.

By downloading fonts to a hard disk or memory, you save print time when you use a Macintosh to print large documents or print several documents that use those fonts. Because it has bi-directional communication with the printer, the Macintosh finds out which fonts are already available in the printer memory and on the hard drive, and thus doesn't spend time downloading those same fonts from the application.

Note

Because PC drivers don't have bi-directional font communication with the printer, the PC only knows what fonts came with the printer. All other fonts are downloaded from the application, even if they already were downloaded to the hard disk or memory.

Before printing, make sure that the fonts specified in your document are installed in the printer or are set up correctly. If you request a font in an application that is not resident in the printer, is not correctly installed, or is not downloaded from the application in the print job, the text is printed in *Courier* typeface.

The printer accepts these (and other) downloadable fonts:

- Type 1
- Type 3
 - Adobe
 - Agfa
 - Bitstream
 - Microsoft
 - Apple
- TrueType (scalable to any point size; look the same on-screen and printed).

Downloading fonts from a Macintosh

Use the *Apple Printer Utility* to download fonts to the printer.

Note

In order to download the fonts to the printer with the *Apple Printer Utility*, the SysStart Job must be disabled on the Phaser 860 front panel; refer to page 32 for more information on SysStart Job.

1. If you don't already have the *Apple Printer Utility* on your computer, install it from the printer's CD-ROM.
2. Start the *Apple Printer Utility* by double-clicking the icon (in the *PhaserTools* folder on your computer's hard disk).
3. In the **Printer Selector** dialog box:
 - a. Under **AppleTalk Zones**, select your printer's zone.
 - b. Under **Printers**, select your Phaser 860 printer.
 - c. Click the **Open Printer** button.
4. In the printer's dialog box, click the arrow next to **Printer Preferences**.
5. Click the arrow next to **Fonts** to display the list of installed fonts and their locations.
6. Click the **Add** button.
7. In the dialog box, select the folder containing the font you want to download, select the font, and click the **Add** button. The font is listed as ready to download.

Note

To add all of the fonts in the folder to the list of fonts to download, click the **Add All** button. To you decide not to download a font, highlight the font in the list of fonts to download and click the **Remove** button.

8. For **Destination**, select the download location: either the printer's memory or the hard disk.
9. To download the fonts in the list, click the **Send** button.

Note

To remove downloaded fonts from the printer, follow steps 2 through 5, highlight the font in the list under **Fonts** (in the printer's dialog box), and then click the **Remove** button.

Downloading fonts from a PC

Use the *Xerox CentreWare Font Download Utility* to download fonts to the printer. For detailed information, refer to the online help.

1. If you don't already have the *Xerox CentreWare Font Download Utility* on your computer, install it from the Advanced Network Management Tools CD-ROM.
2. Start the *Xerox CentreWare Font Download Utility*.
3. Select the printer from the **List of Printers**.
4. Click the **Fonts/Forms Manager** button.
5. In the **Fonts / Forms Manager** dialog box:
 - a. For **Storage Device Type**, select **Printer Hard Disk**.
 - b. For **Resource Type**, select **PostScript Fonts**.
 - c. Click the **Browse** button and select the fonts you want to download. They are then displayed in the **Selected Fonts** list.
 - d. Click the **Download** button.
6. If you want to print a list of the fonts on the printer, refer to page 26.
7. When you have finished downloading fonts, click the **Done** button.

Printing a list of resident fonts

Listing the fonts from a Macintosh

Use the *Apple Printer Utility* to list the fonts available on the printer.

Note

In order to print the list of fonts to the printer with the *Apple Printer Utility*, the SysStart Job must be disabled on the Phaser 860 front panel; refer to page 32 for more information on SysStart Job.

1. If you don't already have the *Apple Printer Utility* on your computer, install it from the printer's CD-ROM.
2. Start the *Apple Printer Utility* by double-clicking the icon (in the *PhaserTools* folder on your computer's hard disk).

3. In the **Printer Selector** dialog box:
 - a. Under **AppleTalk Zones**, select your printer's zone.
 - b. Under **Printers**, select your Phaser 860 printer.
 - c. Click the **Open Printer** button.
4. From the **File** menu, select **Print Font Samples**.

Listing the fonts from a PC

Use the *Xerox CentreWare Font Download Utility* to list the fonts available on the printer. For detailed information, refer to the online help.

1. If you don't already have the *Xerox CentreWare Font Download Utility* on your computer, install it from the Advanced Network Management Tools CD-ROM.
2. Start the *Xerox CentreWare Font Download Utility*.
3. Select the printer from the **List of Printers**.
4. Click the **Fonts/Forms Manager** button.
5. In the **Fonts / Forms Manager** dialog box:
 - a. For **Font List Type**, select **PostScript Fonts/Forms**.
 - b. Click the **Print Font List** button
6. Click the **Done** button to exit the **Fonts / Forms Manager** dialog box.

Printer Management

You can configure and manage your printer:

- On the front panel
- Using CentreWare IS Printer Management software
- Through Usage Profile Reports, which can be emailed when the printer needs attention (such as needing more paper)

This section covers the following features related to the operation of your printer:

- The printer's Startup Page — see page 30
- Protected mode for the front panel menus — see page 31
- Sys/Start Job execution — see page 32
- Manual feed timeout — see page 33
- Front panel intensity — see page 33
- Front panel contrast — see page 34
- Intelligent Ready mode — see page 34
- Front panel language — see page 35
- Automatic tray switching — see page 35

CentreWare IS Printer Management software

CentreWare Internet Services™ Printer Management software is a printer management tool that uses a web browser to connect to the printer and gather printer information:

- Job status
- Job accounting
- Printer usage
- Routine troubleshooting
- Configuration of printer settings

CentreWare IS requires a TCP/IP connection. To view information on your printer, enter your printer's IP address as the URL in a web browser. For example, if your printer's IP address is 113.25.72.34, the URL would be **http://113.25.72.34**. The CentreWare IS interface appears on your computer's screen.

For detailed information on CentreWare IS Printer Management software, refer to its online help. You can access interactive troubleshooting assistance by selecting Technical Support from the Support tab.

For general information, access the following web site:

www.xerox.com/officeprinting/products/860/sprt.html
then click the CentreWare link

Usage Profile

A Usage Profile provides a proactive strategy for service, maintenance, and administration of your printer. With a Usage Profile, you can keep track of most printer parameters in detail. The Usage Profile helps you predict the ordering needs of customer- replaceable consumables for remote locations.

The Usage Profile Report includes:

- Consumables usage
- Paper versus transparency usage
- Number and location of media jams
- Media tray usage
- Total number of pages printed

To print the Usage Profile Report from the printer's front panel:

1. With **Menus** highlighted, scroll to **Printable Pages** by pressing the **Scroll Up** or **Scroll Down** key.
2. Press the **OK** key.
3. Scroll to **Print Usage Profile**.
4. Press the **OK** key.

Email notification

You can easily set up electronic mail notification of particular status conditions for three people — your system administrator, key user, and service agent. With mail notification, these people receive timely information on error conditions or supplies status. You enter their email addresses and set up the types of error conditions to be reported to each person, such as:

- Supplies (customer-replaceable consumables) low or out
- Empty media tray
- Error conditions

To set up email notification in CentreWare IS:

1. From your printer's Internet Services home page, click the **Properties** button.
2. Enter the email addresses for the system administrator, key user, and service agent:
 - a. On the left side of the **Properties** page in CentreWare IS, click **Mail Alerts**.
 - b. On the **MaiLinX Alerts** page for **MaiLinX (and Usage Profile Properties)**, select **On**.
 - c. Enter the appropriate email address for **SysAdmin Email Address**, **Key User Email Address**, and **Service Email Address**.
 - d. Specify the type of message that each person receives.
 - e. Click the **Save Changes** button on the bottom of the page.

3. Specify the text and message text for the email:
 - a. On the **MaiLinX Alerts** page, click the **MaiLinX Message Settings** link.
 - b. For each recipient, specify the subject text and message text for the emails or choose **default** to have the recipient receive the default text.
 - c. Click the **Save Changes** button on the bottom of the page.
4. Specify the conditions under which an email will be sent to each of the three recipients:
 - a. On the **MaiLinX Alerts** page, click the **Printer Unable to Print** link.
 - b. Click to place a check in the box for each error condition that you want to generate an email message to the recipient.
 - c. Click the **Save Changes** button on the bottom of the page.
 - d. Return to the **MaiLinX Alerts** page. (You can click the **Back** button in the browser.)
 - e. On the **MaiLinX Alerts** page, click the **Printer Warnings** link.
 - f. Click to place a check in the box for each warning condition that you want to generate an email message to the recipient.
 - g. Click the **Save Changes** button on the bottom of the page.

For detailed information, refer to the CentreWare IS online help.

Operational features

The printer's Startup Page

By default, the printer produces a Startup Page each time the printer is turned on or reset. If desired, you can disable the Startup Page.

There are three methods for turning on/turning off the Startup Page:

- From the printer's front panel
- Using CentreWare IS Printer Management software
- Using utility files

To turn on/turn off the Startup Page from the printer's front panel:

1. With **Menus** highlighted, press the **OK** key.
2. Scroll to **Printer Setup Menu** by pressing the **Scroll Up** or **Scroll Down** key.
3. Press the **OK** key.
4. Scroll to **Startup Page**. The end of the line also displays the setting (**On** or **Off**).
5. To change the setting, press the **OK** key.

To turn on/turn off the Startup Page using CentreWare IS Printer Management software:

1. From your printer's Internet Services home page, click **Properties**.
2. On the left side of the **Properties** page in CentreWare IS, click **Printer Defaults**.
3. If desired, change the setting for **Print Startup Page** (under **User Preferences** on the **Printer Defaults** page).
4. Click the **Save Changes** button on the bottom of the page.

To turn on/turn off the Startup Page using utility files:

- **Macintosh:** Use the Apple Printer Utility (refer to page 39 for instructions).
- **PC:** Download one of the following utility files, as described on page 40:
 - *STARTPG.PS* — turn on the Startup Page
 - *NOSTRTPG.PS* — turn off the Startup Page

Protected mode for the front panel menus

You can have the printer enter "protected mode" to prevent users from changing front panel settings that may impact the prints of other users. Instead, users select printing features, such as color corrections, through the printer drivers only. In protected mode, users can access all menus except the **Printer Setup Menu** and the **Network Setup Menu**.

Note

You can temporarily override protected mode. Enter the menu system (by highlighting **Menus** and pressing the **OK** key), hold down either the **Cancel** key or **Scroll Up** key, and press the **Back** key. You can then access the **Printer Setup Menu** or the **Network Setup Menu**. These two menus are hidden again as soon as you exit the menu.

There are two methods for entering/exiting protected mode:

- Using CentreWare IS Printer Management software
- Using utility files

To enter/exit protected mode using CentreWare IS Printer Management software:

1. From your printer's Internet Services home page, click **Properties**.
2. On the left side of the **Properties** page in CentreWare IS, click **Printer Defaults**.
3. If desired, change the setting for **Front Panel Menus** (under **User Preferences** on the **Printer Defaults** page).
 - Select **Off** to have the front panel display all menus.
 - Select **On** to limit the menu items displayed on the front panel,
4. Click the **Save Changes** button on the bottom of the page.

To enter/exit protected mode using utility files:

To enter or exit protected mode, download one of the following utility files:

- **Macintosh:**
 - *Menu Short* — limits menu access
 - *Menu Long* — expands menus

Refer to page 38 for downloading instructions.
- **PC:**
 - *MENUSHRT.PS* — limits menu access
 - *MENULONG.PS* — expands menus

Refer to page 40 for downloading instructions.

SysStart Job execution

You may load a startup file (*SysStart*) onto the printer's internal hard disk, if installed. The *SysStart* file is similar to an *init* file — when you turn on or reset the printer, the file executes.

There are three methods for turning on/turning off SysStart:

- From the printer's front panel
- Using CentreWare IS Printer Management software
- Using utility files

Note

If the *SysStart* file contains an error, the printer ignores the remainder of the file and may not start up as expected.

To turn on/turn off the execution of the SysStart job from the printer's front panel:

1. With **Menus** highlighted, press the **OK** key.
2. Scroll to **Printer Setup Menu** by pressing the **Scroll Up** or **Scroll Down** key.
3. Press the **OK** key.
4. Scroll to **Startup Mode**. The end of the line also displays the setting (**On** or **Off**).
5. To change the setting, press the **OK** key.
6. To make the change take affect, reset the printer.

To turn on/turn off the execution of the SysStart job using CentreWare IS Printer Management software:

1. From your printer's Internet Services home page, click **Properties**.
2. On the left side of the **Properties** page in CentreWare IS, click **Printer Defaults**.
3. If desired, change the setting for **System Start Job** (under **User Preferences** on the **Printer Defaults** page).
4. Click the **Save Changes** button on the bottom of the page.
5. To make the change take affect, reset the printer.

To turn on/turn off the execution of the SysStart job using utility files:

- **Macintosh:**
 - *Set SysStart Job* — Turns on automatic execution of the SysStart job
 - *No SysStart Job* — Turns off automatic execution of the SysStart job
- Refer to page 38 for downloading instructions.
- To make the change take affect, reset the printer.

- **PC:**

- *SYSTART.PS* — Turns on automatic execution of the SysStart job
- *NOSYSTRT.PS* — Turns off automatic execution of the SysStart job

Refer to page 40 for downloading instructions.

To make the change take affect, reset the printer.

Manual feed timeout

When you select Manual Feed-Paper or Manual Feed-Transparency in the printer driver, the front panel prompts you to add the sheet of paper or transparency. If you don't insert anything in the manual-feed slot, the printer waits for a specified time before attempting to pick paper from one of the paper trays.

To change the manual feed timeout from the printer's front panel:

1. With **Menus** highlighted, press the **OK** key.
2. Scroll to **Printer Setup Menu** by pressing the **Scroll Up** or **Scroll Down** key.
3. Press the **OK** key.
4. Scroll to **Set Manual Feed Timeout**.
5. Press the **OK** key.
6. Scroll until the desired number of seconds (0 to 999) is displayed. (If you select a value of 0, the printer does not time out while waiting for paper to be inserted.)
7. Press the **OK** key.

To change the manual feed timeout using CentreWare IS Printer Management software:

1. From your printer's Internet Services home page, click **Properties**.
2. On the left side of the **Properties** page in CentreWare IS, click **Printer Defaults**.
3. If desired, change the setting for **Manual Feed Timeout** (under **Timeout Settings** on the **Printer Defaults** page). (Select a number from 0 to 65535 seconds; if you select a value of 0, the printer does not time out while waiting for paper to be inserted.)
4. Click the **Save Changes** button on the bottom of the page.

Front panel intensity

To make the front panel text more readable, you can adjust the intensity of the front panel's back lighting:

1. On the front panel, with **Menus** highlighted, press the **OK** key.
2. Scroll to **Printer Setup Menu** by pressing the **Scroll Up** or **Scroll Down** key.
3. Press the **OK** key.
4. Scroll to **Set Front Panel Intensity**.
5. Press the **OK** key.
6. Scroll until the desired back light intensity is displayed. The intensity values range from 0 (no back light) to 10 (brightest back light).

7. Press the **OK** key.

Front panel contrast

To make the front panel text more readable, you can adjust the contrast between the text and the background:

1. On the front panel, with **Menus** highlighted, press the **OK** key.
2. Scroll to **Printer Setup Menu** by pressing the **Scroll Up** or **Scroll Down** key.
3. Press the **OK** key.
4. Scroll to **Set Front Panel Contrast**.
5. Press the **OK** key.
6. Scroll the value until you achieve the desired contrast between the text and the background. The values range from 1 to 10.
7. Press the **OK** key.

Intelligent Ready mode

Intelligent Ready mode is an automated system that monitors the printer's usage and warms up the printer when you are most likely to need it.

To turn Intelligent Ready mode on or off from the printer's front panel:

1. With **Menus** highlighted, press the **OK** key.
2. Scroll to **Printer Setup Menu** by pressing the **Scroll Up** or **Scroll Down** key.
3. Press the **OK** key.
4. Scroll to **Intelligent Ready**. The end of the line also displays the setting (**On** or **Off**).
5. To change the setting, press the **OK** key.

To select Intelligent Ready mode or schedule warmup/standby settings using CentreWare IS Printer Management software:

1. From your printer's Internet Services home page, click **Properties**.
2. On the left side of the **Properties** page in CentreWare IS, click **Warmup**.
3. For **Warmup Mode**, select either **Intelligent Ready** or **Scheduled** (if you want to specify the warmup/standby settings for each day).
4. If you selected **Scheduled** in step 3, make selections for each day's warmup setting and standby setting.
5. Click the **Save Changes** button on the bottom of the page.

Note

Although the front panel selections only enable you to turn Intelligent Ready mode on or off, CentreWare IS enables you to specify other settings, such as the printer's warm-up times.

Front panel language

To change the language used for the text on the front panel:

1. On the front panel, with **Menus** highlighted, press the **OK** key.
2. Scroll to **Printer Setup Menu** by pressing the **Scroll Up** or **Scroll Down** key.
3. Press the **OK** key.
4. Scroll to **Set Front Panel Language**.
5. Press the **OK** key.
6. Scroll the desired language.
7. Press the **OK** key.

Selecting the source for cleaning pages

When one or two High-Capacity Paper Tray Assemblies are installed, the lower tray is the default source for the cleaning pages that the printer uses in its cleaning procedures. You can ensure that the printer always uses paper from the lower or middle paper tray in its self-cleaning procedures by changing a setting in the printer's front panel:

1. With **Menus** highlighted, press the **OK** key.
2. Press the **Scroll Down** key to scroll to the **Printer Setup Menu**.
3. Press the **OK** key.
4. Scroll to **Set Cleaning Page Source**.
5. Press the **OK** key.
6. Scroll to the desired tray for the cleaning pages.
7. Press the **OK** key.

Automatic tray switching

When your printer has one or two high-capacity paper tray assemblies, you can easily run large jobs without having to replace paper so often. The printer automatically takes paper from the next tray when the first tray runs out.

- For automatic tray switching to work properly, load the same type and size paper in all of the printer's paper trays.
- In the printer driver, select **Paper** as the source, instead of a specific tray.

Printer Utilities

In addition to using the printer's front panel or the options in a supported driver, the printer's utility files offer another method for changing the way the printer operates.

Some utility files control print features, such as the default color correction. However, printer features that are selected from a printer driver override utility file settings as well as front panel settings.

Utility files are located on the:

- Printer's CD-ROM
- Xerox web site
- Phaser hard drive (if a hard disk is installed on your printer)

Utility files on the printer's CD-ROM

Installing the utility files on a Macintosh

To install the *Apple Printer Utility*:

1. From the printer's CD-ROM, run the *Phaser Printer Installer* application and select **Easy Install**.
2. In the *PhaserTools* folder on your computer's hard disk, locate the *Apple Printer Utility*.

To install the printer's utility files:

1. On the printer's CD-ROM, open the *English* folder, open the *Snippets* folder, then open the *Printer Utilities* folder.
2. Copy the *Printer Utilities* folder or individual files to your computer's hard disk.

To download a utility file from your Macintosh to the printer, see page 38.

Installing the utility files on a PC

To locate the printer's utility files:

1. Insert the printer's CD-ROM into the CD-ROM drive.
 - If the Windows autorun feature is enabled, the CD-ROM launches automatically. On the opening screen, click **Exit**.
2. In the **Windows Explorer**, select the drive letter of your computer's CD-ROM drive.
3. Locate the utility files on the CD-ROM by opening the **Utility** folder, then opening the **Snippets** folder, then opening the **phsr860** folder.

Use the files on the CD-ROM or copy the files to your computer's hard disk. To download a utility file from your PC to the printer, see page 40.

Utility files on the Xerox web site

On the Xerox Color Printer web site, you can explore options such as customer support, documents, and new product information. New and updated information is always being added, so check the web site frequently.

Access the Xerox Color Printer web site by entering the following address in a web browser:

www.xerox.com/officeprinting/

To locate the utility files:

1. Start your web browser (such as Netscape Navigator or Internet Explorer).
2. Enter the following web address:
www.xerox.com/officeprinting/860support
3. From the pull-down lists, select your printer, computer platform, and **Printer Utilities** for the type of file.
4. Click the **Go** button to search the web site and display a list of files that you can download.
5. For each file that you want to download, click on the name of the file, select **Save this file to disk**, click the **OK** button, select the location to save the file, and click the **Save** button.

The requested file is downloaded to your computer.

Downloading utility files from a Macintosh

Use the Apple Printer Utility to download files from your Macintosh to the printer.

To download PostScript utility files to the printer:

1. From the *PhaserTools* folder on your computer's hard disk, double-click the *Apple Printer Utility*.



2. In the **Printer Selector** dialog box:
 - a. Under **AppleTalk Zones**, select your printer's zone.
 - b. Under **Printers**, select your Phaser 860 printer.
 - c. Click the **Open Printer** button.
3. From the **File** menu, select **Send PostScript File**.
4. In the **Select the PostScript files to download** dialog box, select the folder location of the PostScript file(s) that you want to download.

If you didn't copy the files to your computer's hard drive, use the CD-ROM; the utility files are located in the **Printer Utilities** folder inside the **Phaser Tools** folder.

5. Select a utility file and click the **Add** to add the file to the list of files to download.
6. Repeat step 5 for all utility files that you want to download.
7. Click the **Send** button to download those files on the list.
8. In the lower portion of the dialog box for **Save PostScript output as**, either use the default name or type a new name for the file to be used for saving printer output. (Printer output includes status messages generated by the printer as it reports conditions such as out of paper.)
9. Click the **Save** button.
10. If no output is returned by the printer but the *Apple Printer Utility* displays a dialog box, click **Continue**. (If output is returned by the printer, you won't see this dialog box; check your computer's hard disk for the message file created by the utility.)

You can download utility files to print a color sampler chart; refer to page 24 for more information about color sampler charts.

For information on downloading fonts from your Macintosh to the printer, refer to page 24; to print a list of fonts on the printer, refer to page 25.

Using the Apple Printer Utility to perform other tasks

In addition to downloading PostScript files and fonts, you can use the *Apple Printer Utility* to perform the following specialized tasks:

- Turning on/off the Startup Page
- Changing the printer's AppleTalk name

Note

If your printer is connected through a print server, you can only use the *Apple Printer Utility* to download PostScript utility files.

To turn on/off the Startup Page:

1. Double-click the *Apple Printer Utility*.
2. In the **Printer Selector** dialog box:
 - a. Under **AppleTalk Zones**, select your printer's zone.
 - b. Under **Printers**, select your Phaser 860 printer.
 - c. Click the **Open Printer** button.
3. In the printer's dialog box, click the arrow next to **Printer Preferences** to display a list of options.
4. Click the arrow next to **Startup Page**.
5. Click to either place or remove the check mark from the box:
 - Check mark: Prints a Startup Page each time the printer is turned on or reset.
 - No check mark: Stops the Startup Page from automatically printing.
6. Click the **Send** button to update this printer option.

To change the printer's AppleTalk name:

1. Double-click the *Apple Printer Utility*.
2. In the **Printer Selector** dialog box:
 - a. Under **AppleTalk Zones**, select your printer's zone.
 - b. Under **Printers**, select your Phaser 860 printer.
 - c. Click the **Open Printer** button.
3. In the printer's dialog box, click the arrow next to **Printer Preferences** to display a list of options.
4. Click the arrow next to **Name**.
5. In the text box, type the new printer name.
6. Click the **Send** button to update the printer name.

Downloading utility files from a PC

Downloading files from Windows 95/Windows 98/Windows Me

1. Select the utility file you want to send to the printer, for example *RESET.PS*.
2. In the taskbar on your screen, click **Start**, then **Programs**, then **MS-DOS Prompt**.
3. Change the directory to the location of the utility files.
4. If your printer is connected to the parallel (LPT) port, type the following command (where **x** is 1, 2, or 3):
COPY RESET.PS LPTx:

If your printer is connected to a network, refer to the "Downloading files if your printer is connected to a Novell Netware network" section on this page.

Downloading files from Windows NT/Windows 2000

1. Select the utility file you want to send to the printer, for example *RESET.PS*.
2. In the taskbar on your screen, click **Start**, then **Run**, then type the following in the text box to access the MS-DOS Prompt:
COMMAND
3. Change the directory to the location of the utility files.
4. If your printer is connected to the parallel (LPT) port, type the following command (where **x** is 1, 2, or 3):
COPY RESET.PS LPTx:

If your printer is connected to a network, type the following command:

```
lpr -S <IP Address> -P PS RESET.PS
```

Downloading files if your printer is connected to a Novell Netware network

This procedure lets you redirect (capture) LPT ports in Novell NetWare. NetWare queues can be captured from the DOS Prompt or captured directly from Windows. To find out if an LPT port is already captured, type the following command from the DOS Prompt:

```
capture show
```

This will list the current capture data for each virtual port.

Note

If an **ad** command or file name error occurs, run the command from the file servers Public directory.

- For NetWare 3.xx and Netware 4.xx bindery queues:

```
capture q=[queue_name] l=[port] nb nff nt
```

where *queue_name* is the name of the queue to be captured, and *port* is the virtual port to capture to, such as LPT3.

Also, **nb** is no banners, **nff** is no form feeds, and **nt** is no tabs.

For example: **capture q=phaser_860 l=3 nb nff nt**

Note

For NetWare 4.xx NDS queues, the queue name needs to start with a period.

For example:

```
capture q=.phaser_860_q.nds.printers.support l=2 nb nff nt
```

For Windows 95 / 98 environments:

1. From the **Details** tab of your printer's driver, select the **Capture Printer Port** button.
2. In the **Capture Printer Port** dialog box:
 - For bindery queues, enter the path as **\\server_name\queue_name**
For example: **\\nw_server\Phaser_860**
 - For NDS queues, enter the path as **\\Tree\queue_name.context**
For example: **\\Tek\.Phaser_860_Q.nds.printers**
3. Click the **OK** button.

Note

If the appropriate file server is not listed, click the **Attach** button and select the desired file server. Login and click the **OK** button. Within the **Operation** section, check the box next to **Permanent**, then click **Connect**. The port should then be captured.

Downloading files if your printer is connected to Windows NT

Use this procedure to redirect (capture) LPT Ports.

Under Windows NT print spooler, you create Ports based on their physical location:

- Local ports = Lpt1 / Lpt2, etc.
- IPX Port = \\NW_SERVER\Phaser
- Appletalk Ports = WV Net 36:Phaser
- TCP/IP Ports = 162.36.62.151:PS or [AUTO]

However, if you're at a command prompt (DOS Prompt) and want to print, or copy, a PostScript file to a port that is a network port, you can do the following:

- TCP/IP Ports:

```
lpr -S [printers IP Address] -P [print queue] filename
```

For example: **lpr -S 134.62.36.70 -P PS test.ps**

- IPX and Appletalk ports require the redefinition of the LPTX port to the network path through the use of the NET USE command.

NET USE LPT1 \\Server_Name\Queue_Name

For example: NET USE LPT1 \\NW_SERVER\Phaser

or: NET USE LPT2 \\NT_SERVER_NT\Phaser

After redirecting the port using the NET USE command you can use the COPY command to print the postscript file.

For example: C:\> COPY TEST.PS LPT1:

When finished, end the redirect with the command:

NET USE LPT1 /delete

Troubleshooting Phaser 860 Printers

Getting Help

Refer to the following resources for information about your printer:

- Printer CD-ROM
- Advanced Network Management Tools CD-ROM
- Printer's front panel and internal pages
- Windows driver and driver help system
- Xerox web sites
- CentreWare IS
- Other online services

Printer CD-ROM

The printer's auto-running CD-ROM guides you to the various resources available for installing and learning more about your Phaser color printer.

- Read Me release notes
- Printer drivers
- Driver installers (for Mac and Windows)
- *Phaser 860 Color Printer User Guide*
- *Advanced Features and Troubleshooting Manual* (this manual)
- *Setup Guide* poster
- How-to videos
- Networking information
- Cleaning instructions
- Consumables instructions
- Repacking instructions
- Adobe Acrobat Reader (for reading the PDF files)
- Adobe Type Manager (ATM)

Advanced Network Management Tools CD-ROM

This CD-ROM contains network management tools, including CentreWare DP, Unix tools, and the Font Downloader application.

Printer's front panel and internal pages

You can press the **Information** key at any time to get additional information about the message displayed on the front panel.

On the printer's front panel, use the **Printable Pages** menu or the **Support Menu** to print internal pages that give information about the printer configuration, supplies information, paper tips, etc.

Windows driver and driver help system

If you are using Windows 95, Windows 98, Windows 2000, or Windows NT, install the driver from the Printer CD-ROM and access the printer driver to:

- Access interactive troubleshooting assistance from the **Technical Support** link on the **Troubleshooting** tab.
- Link to other relevant web sites from the **Troubleshooting** tab.
- View information about the printer features on the driver tabs by clicking the **Help** button on the tab.
- View troubleshooting information by clicking a **Help** button, then selecting the **Troubleshooting Guide**.

To access the Phaser 860 printer driver:

1. Click **Start**, select **Settings**, then click **Printers**.
2. In the **Printers** folder, right-click the icon for your Phaser 860 printer.
3. From the popup menu, select **Properties**.

Xerox web sites

www.xerox.com/officeprinting/

- Product and supplies information
- Downloading printer drivers
- Finding your local reseller
- Online documentation

www.xerox.com/officeprinting/infoSMART/

The infoSMART™ knowledge base is the same troubleshooting knowledge base used by Xerox Customer Support staff to provide the latest technical information on:

- Application issues
- Networking issues
- Printer errors
- Print-quality issues
- Troubleshooting

www.colorconnection.xerox.com/

This site helps you get the most from your color printer:

- Interactive tutorials, color printing templates, and helpful tips for using your printer and favorite software applications.
- Easy access to online technical support.
- Customized features to meet your individual needs.

CentreWare IS

For information on CentreWare IS, refer to page 27.

Other online services

Subscribe to email update notices:	www.colorconnection.xerox.com/
Technical Support:	www.xerox.com/officeprinting/support

To find a local reseller

See www.xerox.com/officeprinting/contacts for the most updated information.		
U. S. 1-800-835-6100	Canada 1-877-662-9338	Outside U.S. and Canada Contact your local Xerox office for a list of local resellers

Indicator light problems

Status indicator light is off

The printer is turned off, is not ready, is disabled, or has detected an error.

- Make sure that the printer is plugged in and turned on.
- Do not plug the printer's power cord into a power strip; use a wall outlet.

Status indicator light is blinking green

- If the printer is receiving, processing, or printing a job, wait for the job to be completed or cancel the job.
- If you have entered the menu in the front panel, you can exit the menu.
- If the warm-up sequence has not finished, wait until the printer displays **Ready to Print**.

Status indicator light is blinking yellow

- The printer is still printing but there is a warning condition that needs user attention soon.

Status indicator light is blinking red

- The printer has stopped because it detected an error or condition that required user intervention, such as an open door or a paper jam. Correct the condition reported on the front panel (such as by closing the door or clearing the paper jam).
- Press the **Information** key to access more information on the error condition.
- Refer to the following pages for information about particular error conditions. For detailed information about jams, refer to the *Phaser 860 Color Printer User Guide*.

Front panel error messages

When in a menu, the front panel returns to **Ready to Print**

- The front panel menu times out and returns to **Ready to Print** if no activity occurs in the menu system in 2 minutes.
- If you want to re-enter the menu system, highlight **Menus** and press the **OK** key.

Output tray full

- Too much media is stacked in the output tray. Remove all printed pages from the output tray.

Ink low - Add ink

- One or more ink-loading bin is almost empty. Add more ink soon.
- If needed, order additional Phaser 860 Xerox ColorStix® II ink sticks.

Out of ink

- One or more ink-loading bin is empty. Add more ink sticks to the bin that is empty.
 - A label above each bin indicates the color and color number of that bin. Because the magenta, cyan, and black ink sticks are all dark, refer to its color number to determine which bin to load the ink stick. Don't worry if the yellow ink sticks have darker areas.
 - Use only Phaser 860 Xerox ColorStix® II ink sticks; the use of other ink may affect print quality and reliability. Xerox warranties and service contracts do not cover damage, malfunction, or degradation of performance caused by the use of non-Xerox supplies or consumables or the use of Xerox supplies not specified for use with this printer.
 - Each ink stick is uniquely shaped to fit into the correct ink-loading bin. Insert the ink stick's narrow end first.

Ink sticks jammed

- One or more ink sticks are stuck in the ink-loading bin. Open and close the top cover.
- If the problem persists, move the ink sticks until there are no spaces between sticks of the same color.
- To prevent problems:
 - Do not use broken ink sticks.
 - Always install the ink stick's narrow end first.

Maintenance drawer (A) locked

- The maintenance drawer (labeled A) is locked because it contains hot ink that could cause burns. You cannot remove the maintenance drawer until the ink has cooled.
- Close the front cover and wait at least five minutes for the ink to cool before removing the maintenance drawer from the printer.
- Printing resumes when the maintenance drawer is unlocked and the cover is closed.

Maintenance drawer (A) missing

- If the maintenance drawer is not installed, open the front cover and install the maintenance drawer (labeled A).
- If the maintenance drawer is already there, pull out the drawer, make sure that the counter (orange piece labeled C2) is installed, and re-insert the maintenance drawer.

Maintenance kit low

- The Maintenance Kit is almost empty.
- Order a replacement Maintenance Kit since the Maintenance Kit will need replacing soon.

Maintenance kit empty

- The Maintenance Kit is depleted. Replace the Maintenance Kit to continue printing.
- If the message remains after you installed a new kit, make sure that the new counter (the orange piece labeled C2) was correctly installed.

Maintenance kit service life low

- The 15-month service life will expire soon.
- Order a replacement Maintenance Kit since the Maintenance Kit will need replacing soon.

Maintenance kit service life expired

- The 15-month service life has expired.
- Replace the Maintenance Kit now to prevent print quality problems.

Printer error ##

- An error occurred that may not be user-correctable.
- Turn off the printer, wait at least 15 seconds, and then turn the printer back on.
- If the error is not cleared, write down the error number.
 - If you have access to the internet, look up the error number on the infoSMART web page (see page 44) for possible corrective action.
 - If the error persists, call Customer Support with the error number.

Paper jam message

- Clear the jam. For detailed information about clearing jams, refer to the *Phaser 860 Color Printer User Guide*.
- Make sure that paper or transparencies are installed correctly in the tray and that the tray switch is set correctly.
- If the jam occurred because too much media was loaded in the tray, reduce the amount of media so it is below the fill line on the left side of the tray.
- If the paper is wrinkled or curled, change the media; only use clean, undamaged paper.
- If the jam occurred because the paper is too thick or too thin, use the recommended media instead; refer to the *Phaser 860 Color Printer User Guide* or print the **Paper Tips Page** (from the **Printable Pages** menu).

Media jam - Retry manual feed

- If an envelope has jammed because it was not loaded properly, pull out the jammed envelope, verify that the manual-feed slot is fully extended (by gently pushing it downward), and (when prompted by the front panel) insert an undamaged envelope in the manual-feed slot:
 - Insert only one envelope.
 - Make sure the envelope is aligned against the left side of the manual-feed slot with the flap side facing up. For more information about printing on envelopes, refer to the *Phaser 860 Color Printer User Guide*.
 - Insert the envelope until it is pulled into the printer.
- If a sheet of paper or a transparency has jammed because it was not loaded properly, pull out the paper or a transparency, verify that the manual-feed slot is fully extended (by gently pushing it downward), and (when prompted by the front panel) insert an undamaged sheet in the manual-feed slot:
 - Insert only one sheet of paper or one transparency.
 - Make sure the sheet is aligned against the left side of the manual-feed slot. For more information about printing from the manual-feed slot, refer to the *Phaser 860 Color Printer User Guide*.
 - Insert the sheet until it is pulled into the printer.

Problems with automatic two-sided printing

Output is single-sided

- Make sure that you have selected two-sided printing in the printer driver.
- Use Letter-size, A4-size, or Legal-size paper only for two-sided printing.
- If using the standard paper/transparency tray, make sure the tray switch is set to **Paper**.

Frequent jams with two-sided printing

- Paper must be between 60 - 120 g/m² (16 - 32 lb. bond) in weight.
- When using the manual-feed slot, make sure that the paper is loaded straight and aligned along the left side of the manual-feed slot.

The second side of a two-sided print is upside-down

- Select the correct method for binding preference in the printer driver.
- Refer to the *Phaser 860 Color Printer User Guide* for more information on two-sided printing and binding preference.

Letterhead paper prints on the wrong side or prints upside-down

- From the manual-feed slot: For two-sided printing, load letterhead paper *face up* with the letterhead entering the manual-feed slot **last**.
- From a tray: For two-sided printing, load letterhead paper *face down* with the letterhead towards the **back** of the tray.

Problems printing on labels

Labels are printed on the wrong side

- Make sure the labels are loaded *face up* in a tray, or *face down* in the manual-feed slot.
- Make sure that two-sided printing is **not** selected in the printer driver; you cannot print labels on two sides.

Printing labels from Microsoft Word

1. From the **Tools** menu, select **Envelopes and Labels**.
2. In the **Envelopes and Labels** dialog box, click the **Labels** tab.
3. In the dialog box, click on the label icon.
4. In the **Label Options** dialog box, select all of the following, depending on label size:

Letter-size:

- a. Printer: **Laser and Ink-jet**
- b. Label Products: **Avery standard**
- c. Select the label size corresponding to the Xerox label media:

Avery label sizes		Xerox label media	Xerox part number
5160	A/Letter (U. S.) 8.5 x 11 in.	100 sheets / 30 labels per sheet (each 1 x 2-5/8 in.)	016-1812-00
5164	A/Letter (U. S.) 8.5 x 11 in.	100 sheets / 6 labels per sheet (each 3-1/3 x 4 in.)	016-1813-00

Metric-size:

- a. Printer: **Laser and Ink-jet**
- b. Label Products: **Avery A4 and A5 sizes**
- c. Select the label size corresponding to Xerox label media:

Avery label sizes		Xerox label media	Xerox part number
L7163	A4 (Metric Letter) 210 x 297 mm	100 sheets / 14 labels per sheet (each 38.1 x 99.1 mm)	016-1814-00
L7165	A4 (Metric Letter) 210 x 297 mm	100 sheets / 8 labels per sheet (each 67.1 x 99.1 mm)	016-1815-00

5. Click the **OK** button to exit the **Label Options** dialog box.
6. Click the **Print** button.

Print quality problems

Light-colored or missing stripes on prints

- Run a test print by choosing **Print Diagnostic Pages** on the printer's front panel (by selecting the **Support Menu**, then selecting **Improve Print Quality**).
- If a light stripe appears in one color, clean the printhead by choosing **Eliminate Light Stripes** on the front panel (by selecting the **Support Menu**, then selecting **Improve Print Quality**). Refer to the *Phaser 860 Color Printer User Guide* for more information.
- If a light stripe appears in all four colors, refer to the *Phaser 860 Color Printer User Guide* for more information about how to:
 - Clean the Rapid Release Guide.
 - Clean the wiper blade on the maintenance drawer.
 - Inspect the printer's paper-exit area for debris and, if needed, clean this area.
 - Select **Eliminate Light Stripes** on the front panel to clean the print heads and print a test page.

Ink streaks or oil on front, back, or edges of print

- Choose **Remove Print Smears** on the front panel (by selecting the **Support Menu**, then selecting **Improve Print Quality**). Refer to the *Phaser 860 Color Printer User Guide* for more information. The cleaning process takes several minutes and uses several blank sheets of paper.
- Be sure to use paper supported by the printer. For a list of recommended media types, refer to the *Phaser 860 Color Printer User Guide* or print the **Paper Tips Page** (from the front panel).
- If needed, clean the following parts of the printer, as described in the *Phaser 860 Color Printer User Guide*:
 - Clean the maintenance drawer wiper.
 - Clean the exit rollers if ink or debris is visible on those rollers.
 - Clean the paper-feed rollers if ink or debris is visible on those rollers.

Images are too light or too dark

- Pull out the upper tray and check the position of the switch on the front-right side of the tray. Push it forward for paper and backward for transparency. After setting the switch correctly, push the tray back in.
- Make sure that you have loaded the correct media (paper or transparencies). For a list of recommended media types, refer to the *Phaser 860 Color Printer User Guide* or print the **Paper Tips Page** (from the front panel).
- Select another color correction in the printer driver, then print the job again. Refer to page 3 for more information.

Prints have dull, faded colors

- If you are using the standard paper/transparency tray or the high capacity transparency/label tray, make sure that the tray switch is set for the appropriate media.
- When printing transparencies, only use Phaser 860 transparency film, which has been specially formulated for use in this printer, and make sure that you have selected **Transparency** (when feeding from a tray) or **Manual Feed-Transparency** (when using the manual-feed slot) in the printer driver.
- Increase the print quality or try a different color correction. Refer to page 2 and page 3 for more information.

Photographic images appear grainy

- In the printer driver, select the highest print quality mode. Refer to page 2 for more information.
- Print images that are 150 dpi or higher.

Prints in black-and-white instead of color

- In the printer driver, check if the TekColor Correction is set to **Black and White**; if it is, choose a different color correction. Refer to page 3 for more information.
- If using a Macintosh:
 - Make sure that you are using the correct PPD file with the latest Apple LaserWriter printer driver, that supports color PostScript.
 - In the **Print** dialog box, make sure that **Color/Grayscale** is selected. Some applications require special files to print in color. Make sure that these files are properly installed. For information, refer to the topics on the printer's CD-ROM or the Xerox web site.
- If using a PC:
 - Be sure to use the correct printer driver from the printer's CD-ROM.
 - Make sure the application you are using is set up to print in color.

Blue colors look too purple

- If printed blue colors look too purple, print your document with the **Vivid Color** color correction. Refer to page 3 for more information.

Transparency print quality is poor.

- Only use Phaser 860 transparency film, which has been specially formulated for use in this printer.
- Make sure that you have selected **Standard** as the print-quality mode. Refer to page 2 for more information.
- Try setting **Vivid Color** as the color correction. Refer to page 3 for more information.
- Make sure that the switch on the side of the standard paper/transparency tray or the high-capacity transparency/label tray, is set to **Transparency**.
- Make sure that you have selected **Transparency** (when feeding from a tray) or **Manual Feed-Transparency** (when using the manual-feed slot) in the printer driver.

Print is wrinkled or rippled

- If your paper is smooth, glossy, or coated, try a different type of paper. Use only supported paper types.
- Use single-sided printing instead of double-sided printing.

Printing problems

The printer times out when connected to a parallel port

- Windows users: To change the timeout for transmission retry, refer to the Microsoft Online Help for instructions.

Part of the image is missing or the image is clipped

- For more details on page sizes, print areas, and margins, refer to the *Phaser 860 Color Printer User Guide*. To maximize the image area, you may have to adjust the margins in your application software.
- In your application, check the setting for **Image Size**.
- Make sure you have selected the correct paper size in the printer driver.
- Make sure you have selected Page Setup after changing printers.

Problems printing from a specific application

- Get information and tips on printing from specific applications (such as QuarkXPress and PageMaker) from the Xerox web site. Refer to page 44 for more information

Fonts print incorrectly in Windows

- If you have downloaded fonts to your printer, or stored additional fonts on the internal hard drive, you may need to reinstall the fonts.
- If you are using PostScript fonts, make sure ATM (Adobe Type Manager) is installed and configured properly. ATM software is shipped with your printer.

Text prints in Courier font

- The font you have specified is not available so the printer substituted the Courier font. The printer has 136 resident fonts. Other fonts must be set up from the printer driver to print with each job.

Preventing media jams

Use the following guidelines to prevent media jams inside the printer.

- Make sure the printer is on a flat, level surface.
- Don't add media above the tray's fill line.
- Media:
 - Use only the recommended media. Refer to the *Phaser 860 Color Printer User Guide* or print the **Paper Tips Page** from the printer's front panel.
 - For transparencies, only use Phaser 860 transparency film, which has been specially formulated for use in this printer.
 - Use clean, undamaged paper. Keep paper and other supplies clean and free from dust. Paper that has been sitting out of its sealed wrapper can become distorted, causing paper jams. Keep paper sealed until you are ready to use it for printing.
 - Do not use paper that has been creased or wrinkled.
 - If paper is still jamming, flip the paper over in the paper tray
 - Do not print on sheets of labels that are missing labels.
 - Use only Phaser 860 printer Color Printing Labels or Xerox Phaser Premium Business Cards.
 - Do not use perforated paper, or odd-sized paper.
 - For three-holed paper, make sure margins are adjusted to avoid printing over the holes.
- When using the manual-feed slot:
 - Always use two hands to load the media so that it enters evenly.
 - Wait until a front panel message prompts you before feeding the first sheet of paper, first transparency, or first envelope. When printing multiple pages, wait until the front panel message prompts you before adding the next sheet of media.
- Clean the printer's rollers if they are visibly dirty. Refer to the *Phaser 860 Color Printer User Guide* for more information about cleaning the rollers.
- In high-humidity conditions, or when using speciality papers that can be printed on both sides: Remove the paper from the paper tray, turn over the stack of paper, and reinsert the paper into the tray.

After you clear a media jam, the printer sometimes outputs a second, usually partial print to remove any image that may remain on the print drum; then the printer prints your original image.

If you have more than one tray, the lower tray is usually the tray that the printer uses in self cleaning. You can change the default tray to use for self cleaning; refer to page 35 for more information.

Specifications for the Phaser 860 Color Printer

Temperature

Operating: 10 degrees C to 32 degrees C (50 degrees F to 90 degrees F)

Non-operating: -30 degrees C to +60 degrees C (-22 degrees F to 140 degrees F)

Humidity

Operating: 10% to 85% relative humidity, non-condensing

Non-operating: 10% to 95% relative humidity, non-condensing

Altitude

Operating: 0 to 2400 m (0 to 7,874 ft.) above sea level

Shipping: 0 to 15000 m (0 to 49200 ft.) above sea level

Primary voltage ranges

90 - 140 VAC, 110 VAC nominal

180 - 264 VAC, 220 VAC nominal

Frequency range

47 to 63 Hz

Primary fusing

125 VAC, 250 VAC, 10 Amps and 6 Amps (Not user-accessible)

Power Consumption

State	Typical Power	Maximum Allowable
Warming up	1000 watts	1100 watts
Continuous printing	220 watts	600 watts
Idle	180 watts	300 watts
Standby	130 watts	not applicable
Energy Star (optional)	not applicable	30 watts

Dimensions of the printer (without a High-Capacity Paper Tray Assembly)

Depth: 600 mm (23.5 in.)

Width: 432 mm (17 in.)

Height: 390 mm (15.3 in.)

Weight of the printer

36 kg (79 lb.)

Dimensions of one High-Capacity Paper Tray Assembly

Height: 127 mm (5 in.)
Depth: 530 mm (20.875 in.)
Width: 440 mm (17.375 in.)

Weight of one High-Capacity Paper Tray Assembly

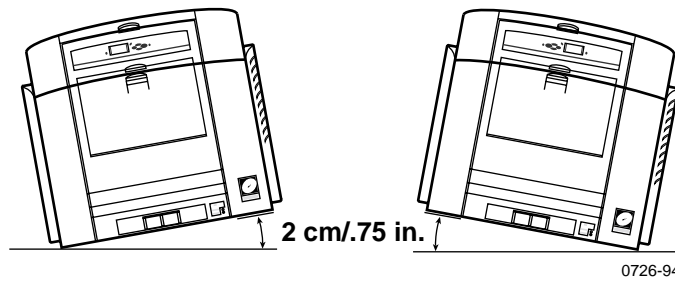
9.1 kg (20 lb.)

Sound level

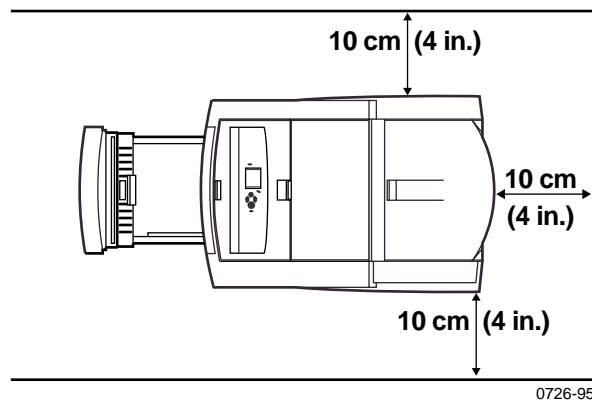
Sound Pressure (L_{pA}); Sound Power (L_{wA})

Printing: $L_{pA} < 60$ dB (A)
 $L_{wA} < 7.2$ Bels (A)
Idle: $L_{pA} < 45$ dB (A)
 $L_{wA} < 5.6$ Bels (A)

Printer tilt



Printer clearances



Regulatory Information for Phaser 860 Printers

Canadian EMC (Electromagnetic Compatibility) regulatory standards

- This digital apparatus does not exceed the Class B limits for radio noise emissions from digital apparatus set out in the Radio Interference Regulations of the Canadian Department of Communications.
- Le présent appareil numérique n'émet pas de bruits radioélectriques dépassant les limites applicables aux appareils numériques de la classe B prescrites dans le Règlement sur le brouillage radioélectrique édicté par le ministère des Communications du Canada.

Declaration of conformity

Xerox Corporation
Office Printing Business
P.O. Box 1000
Mail Stop 60-512
Wilsonville, Oregon 97070 U.S.A.

declares, under our sole responsibility, that the products

Phaser 860 printer (Z860)

to which this declaration relates, is in conformity with the following standard(s) or other normative document(s):

For the EC EN60950:1992	Safety of Information Technology Equipment including Electrical Business Equipment
For the EC EN55022:1992	Limits and methods of measurement of radio Interference characteristics of Information Technology Equipment
For the EC EN50082-1:1997	The Generic Immunity Standard Residential, Commercial, and Light Industry.
Environmental Phenomena	Basic Standard
Radio-Frequency Electromagnetic Field immunity	EN 61000-4-3: 1995-02
Electrostatic Discharge	EN 61000-4-2: 1995-01
Fast Burst Transient	EN 61000-4-4: 1995-01
Line Surge	EN 61000-4-5: 1995-02
Radio-Frequency Conducted Immunity	EN 61000-4-6: 1996-03
Voltage Dips and Interruptions	EN 61000-4-11: 1994-06
Flicker	EN 61000-3-3: 1994-12

following the provision of the
Low Voltage Directive 73/23/EEC, the Electromagnetic Compatibility Directive
89/336/EEC, Machinery Directive 89/392/EEC.

FCC Class B device

The equipment described in this manual generates and uses radio frequency energy. If it is not installed and used properly in strict accordance with Xerox's instructions, it may cause interference with radio and television reception.

This equipment has been tested and verified to comply with the limits for a Class B digital device, pursuant to Part 15 of the FCC Rules. These limits are designed to provide reasonable protection against harmful interferences in a residential installation. This equipment generates, uses and can radiate radio frequency energy and, if not installed and used in accordance with the instructions, may cause harmful interference to radio communications. However, there is no guarantee that interference will not occur in a particular installation. If this equipment does cause harmful interference to radio or television reception, which can be determined by turning the equipment off and on, the user is encouraged to try to correct the interference by one of more of the following measures:

- Reorient or relocate the receiving antenna.
- Increase the separation between the equipment and receiver.
- Connect the equipment into an outlet on a circuit different from that to which the receiver is connected.
- Consult the dealer or an experienced radio/TV technician for help.

Warning

Changes or modifications not expressly approved by Xerox can affect emission compliance and could void the user's authority to operate this product. To ensure emission compliance, use shielded interface cables.

A

- Adobe Photoshop plug-in 18
- altitude, operating range 57
- Automatic color correction 3
- automatic tray switching 35

B

- Black and White color correction 3

C

- CD-ROM for printer 43
- CentreWare IS 45
- CentreWare IS Printer Management software 27
- cleaning pages
 - changing the media tray source 35
- CMYK Sampler
 - Macintosh utility file 14
 - PC utility file 14
- color charts
 - CMYK 12
 - HSB 12
 - PANTONE Color 15
 - printing from a Macintosh 14
 - printing from a PC 14
 - printing from the front panel 12
 - RGB 12
- color connection 45
- color corrections 3
- Commercial Press color correction 3

D

- declaration of conformity 60
- DIC color correction 3
- downloading files from servers
 - World Wide Web 37
- downloading files to the printer
 - Macintosh 38
 - PC 40
 - Windows 95 40
- downloading fonts 23
 - Macintosh 24
 - PC 25
- drivers
 - location 43
 - uses 44
- duplex
 - troubleshooting 50

Index

E

- enabling and disabling the Startup Page 30
- energy saving mode 34
- Enhanced print quality mode 2
- Euroscale Press color correction 3

F

- Fast Color print quality mode 2
- features of the printer 1
- Font Sampler, Macintosh utility file 14, 25
- fonts
 - downloading 23
 - printing a list of resident fonts 25
 - sampler, printing 25
 - TrueType 23
- FONTS.PS, PC utility file 14, 26
- frequency range 57
- front panel
 - information key 44
 - light intensity 33
 - menus 31
 - messages, troubleshooting 46, 47
- FujiProof color correction 3

H

- Help button in printer driver 44
- High Resolution/Photo print quality mode 2
- HSB Sampler
 - Macintosh utility file 14
 - PC utility file 14

I

- information key 44
- information pages 44
- infoSMART 44
- ink saving print quality mode 2
- Intelligent Ready
 - short overview 34

L

- labels
 - printing on wrong side 51
- letterhead paper
 - printing on wrong side 50

M

- Macintosh utility files 38
 - color samplers 14
 - Font Sampler 14, 25
 - Menu Long 31
 - Menu Short 31
- manuals 43
- media jams
 - output after clearing 55
 - preventing 55
- Menu Long, Macintosh utility file 31
- Menu Short, Macintosh utility file 31
- MENULONG.PS, PC utility file 31
- MENUSHRT.PS, PC utility file 31
- modes
 - print quality 2

N

- None color correction 3

P

- PANTONE Colors
 - installing printer files 16
 - printer-specific colors 15
 - printing the color chart from a Macintosh 16
 - printing the color chart from a PC 17
 - selection books 15
- PC utility files
 - color samplers 14
 - FONT.S.PS 14, 26
 - MENULONG.PS 31
 - MENUSHRT.PS 31
- PhaserPrint plug-in
 - compatibility requirements 18
 - for Photoshop 18
 - installing for Macintosh 18
 - starting the plug-in 18
- photographic print quality mode 2
- Photoshop plug-in 18
- Plug-in, Adobe Photoshop, using 18
- power consumption specifications 57
- primary fusing 57
- primary voltage ranges 57
- print features
 - automatic tray switching 35
 - controlling through CentreWare IS 27
- print quality modes 2
- print quality problems
 - troubleshooting 54
- print speed 2
- printed colors, problems with 52

Index

- printer
 - dimensions 57
 - front panel menus 31
 - print speed 2
 - quality modes 2
- printer CD-ROM contents 43
- printer drivers
 - location 43
 - uses 44

Q

- quality modes 2

R

- regulatory standards 59
- resellers 45
- RGB Sampler
 - Macintosh utility file 14
 - PC utility file 14

S

- setting
 - front panel intensity 33
- SNAP Press color correction 3
- specifications 57
- speed of printing 2
- sRGB Display color correction 3
- Standard print quality mode 2
- standby mode 34
- Startup Page
 - enable or disable 30
- SWOP Press color correction 3
- Sys/Start Job, enable or disable 32

T

- TekColor color corrections 3
- Toyo color correction 3
- transparencies
 - print quality modes 2
- tray switching 35

- troubleshooting
 - black and white prints instead of color 53
 - duplex 50
 - front panel messages 46, 47
 - labels are printed on wrong side 50
 - labels printing on wrong side 51
 - letterhead paper printing on wrong side 50
 - paper jams, preventing 55
 - print quality problems 54
 - printed colors 52
 - two-sided printing 50
- TrueType fonts 23
- two-sided printing
 - troubleshooting 50

U

- Usage Profile reports
 - brief overview 28
- utility files
 - Macintosh, using 38
 - PC, using 40

V

- videos 43
- Vivid Color color correction 3
- voltage ranges 57

W

- web sites 44
- World Wide Web
 - downloading files from 37

X

- Xerox web sites 44

Tektronix

COLOR PRINTERS BY

XEROX