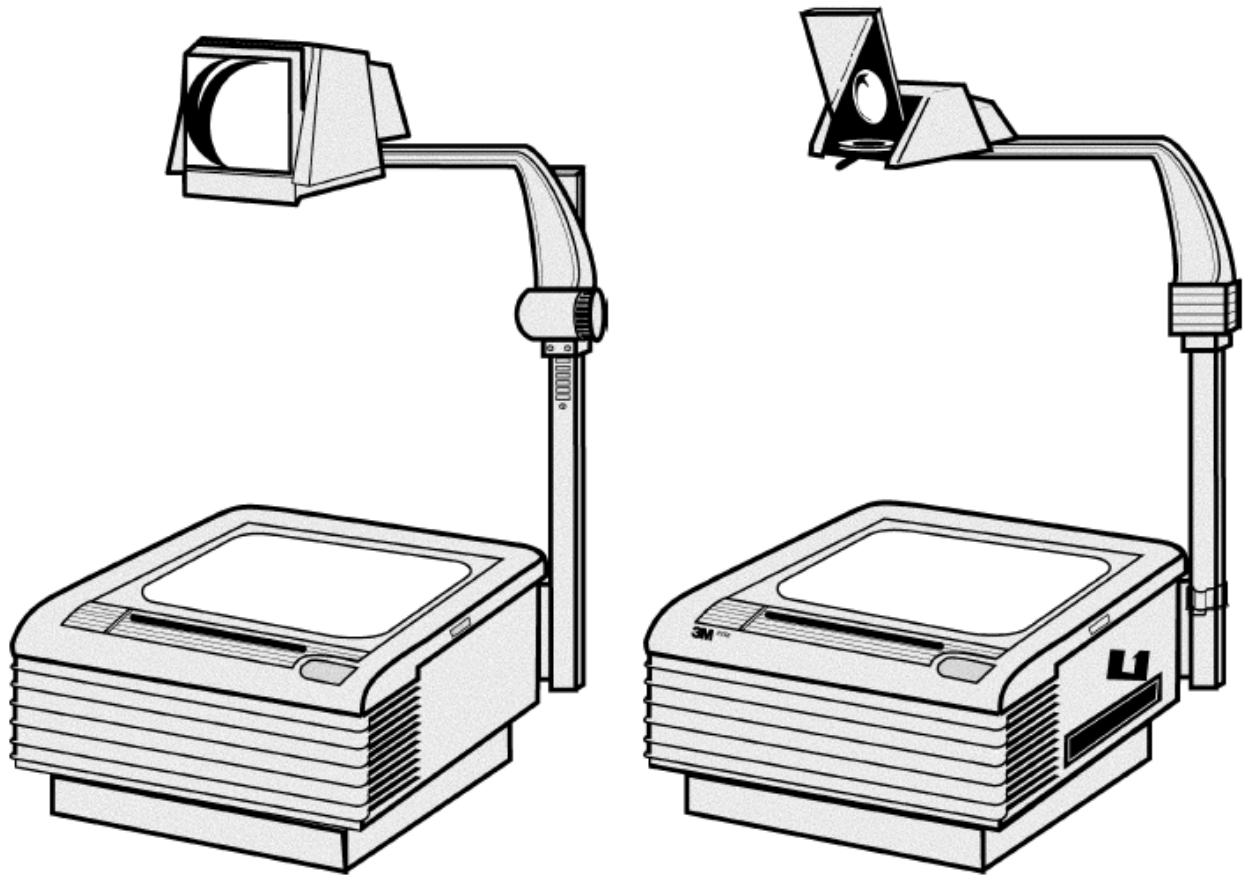


# 3M 9000 Overhead Projector

## Illustrated Parts Breakdown

*For: 9040 9050 9060 9061  
9070 9075 9076 9080 9085  
9100 9200 9400 9550*



# Revision History

**Original Issue date: 1994**

The release date, revision level, pages changed and a description of the modifications are listed below.

<b>Revision</b>	<b>Date</b>	<b>Page(s) Changed</b>	<b>Description</b>
Rev A	1994	All pages	First edition released
Rev K	8/2002	<a href="#">Section 14,</a> Page 41	New Roll Film Kit

NOTE 1: Blue text indicates a link to that page.

All rights reserved. No part of this book covered by the copyrights hereon may be reproduced or copied in any form or by any means-graphic, electronic, or mechanical, including photocopying, taping or information storage and retrieval systems-without written permission of 3M Visual Systems Division.

This Illustrated Parts Breakdown (IPB) Manual contains the information necessary to locate and identify assemblies, sub-assemblies, and specific parts of the 9000 Series Overhead Projector.

**Part Numbers**

All components available on a replacement basis are listed with their 3M identification number. The parts identification list opposite each illustration provides the description adequate to identify components. If the component is available only as part of the next higher assembly, the description column provides the next higher assembly description or identification number.

**Locating and Identifying a Part**

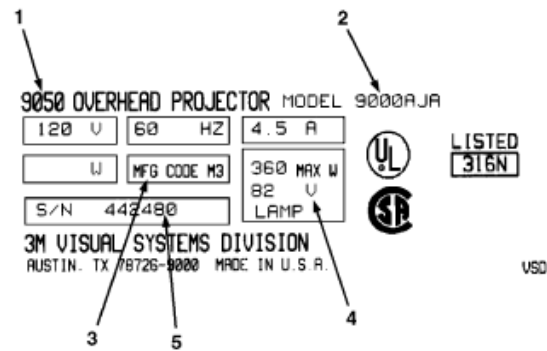
If physical appearance and general location of an item are known:

1. Use the IPB Section Titles to help determine which assembly or sub-assembly includes the item.
2. Refer to the view for the assembly or sub-assembly and locate the item on the exploded view. Match the part callout number to the corresponding number in the parts list.
3. Parts shown inside a dashed box can only be ordered as an assembly. Any part or mounting hardware shown outside the box is not included with the assembly.

**Machine Identification Plate**

The serial number plate for the 9000 is located on the bottom side of the projector. The Machine Identification Plate is divided into the following components:

1. Product Name: The specific version number of the projector.
2. Model Number/Alpha Code: The series number of the projector followed by a three or four character alpha code identifier. The Alpha Code indicates the design level, specific product characteristics, power cord or distribution specific to a country.
3. Lamp: The electrical rating of the lamp.
4. MFG Code: The MFG Code indicates the year and quarter the projector was built. (See the example to the right):
5. S/N: The serial number assigned to this projector.



MFG Code			
Letter		Digit	
E	1997	1	Jan-Mar
F	1998	2	Apr-Jun
H	1999	3	Jul-Sep
J	2000	4	Oct-Dec
K	2001	1	Jan-Mar

**Ordering Parts**

When ordering parts, include the following information:

1. Machine model number and serial number.
2. Parts identification number.
3. Part description.
4. Quantity required.

For U.S. retail customers: Call 1-800-650-8429, or fax 1-800-650-9268. Dealers: Refer to Dealers Guide. 3M Subsidiaries: Contact Export Operations.

## Table of Contents

	QUICK REFERENCE PARTS INDEX .....	1
0	OVERVIEW .....	3
1	WIDE ANGLE (OPEN) 293MM HEAD ASSEMBLY .....	4
2	ARTICULATE (CLOSED) HEAD ASSEMBLY .....	6
3	TRIPLET AND VARIFOCAL (OPEN) HEAD ASSEMBLIES .....	8
4	ARM AND FOCUS ASSEMBLY .....	10
5	TOP COVER .....	12
6	BASE ENCLOSURE .....	15
7	COOLING FAN .....	20
8	LAMP HOUSING - ENX SINGLE LAMP .....	23
9	LAMP HOUSING - ENX/FXL DUAL LAMP .....	25
10A	LAMP HOUSING - EVD DUAL LAMP - 9550 (MFG CODE A3 AND EARLIER) .....	27
10B	LAMP HOUSING - EVD DUAL LAMP - 9550 (MFG CODE A3 AND LATER) .....	29
11	LAMP HOUSING - FNT SINGLE LAMP .....	32
12A	LAMP HOUSING - FNT DUAL LAMP (MFG CODE A3 AND EARLIER) .....	34
12B	LAMP HOUSING - FNT DUAL LAMP (MFG CODE A3 AND LATER) .....	36
13	LAMPCHANGER AND HI/LO LAMP CONTROL MODULE (DUAL LAMP VERSIONS) .....	38
14	ROLL FILM KIT .....	41
15	WIRE JUMPERS .....	42
16	SMALL ELECTRICAL PARTS KIT (EUROPE ONLY) .....	47
17	SMALL MECHANICAL PARTS KIT (EUROPE ONLY) .....	48
18	SMALL PLASTIC PARTS KIT (EUROPE ONLY) .....	49
19	KIT FASTENERS 9000 SERIES (EUROPE ONLY) .....	51
	APPENDIX A SPECIFICATIONS .....	A-1

**IMPORTANT NOTICE**

**3M reserves the right to sell or furnish NEW OR RECONDITIONED PARTS.  
New and reconditioned parts are covered by the same 3M new parts limited warranty.**

## Quick Reference Parts Index

Description	Part Number	Figure No.	Item No.
BLADE, Fan	78-8054-1823-9	7	5
CRADLE, Post (Folding Post)	78-8079-8890-8	6	24
DIODE KIT, Inline	78-8054-1836-1	7	16
FAN MOTOR ASSEMBLY (International)	78-8054-1855-1	7	28
FAN MOTOR ASSEMBLY (U.S.)	78-8114-9015-6	7	29
FOOT	26-1008-5211-5	6	41
FRESNEL LENS, Single Element, Glare Free, 182.9 mm (9050, 9060, 9070, 9080, 9100 AABD, AJB, AJBW, AJBX, 9200 AACD, AKC, AMD)	78-8064-1645-5	5	8A
FRESNEL LENS, Dual Element, Clear, 182.5mm (9075 AJG only)	78-8079-9176-1	5	8B
FRESNEL LENS, Dual Element, Glare Free, 182.5 mm (9100 except AABD, AJB, AJBW and AJBX, 9200 except AACD and AJC)	78-8054-1236-4	5	8C
FRESNEL LENS, Dual Element, Clear, 174mm   (9550 except ABAJ)	78-8079-9045-8	5	8D
FRESNEL LENS, Dual Element, Europe, Glare Free, 174mm (9550 ABHJ)	78-8095-8353-3	5	8E
GLASS, Exit, Articulate (293 mm Singlet Head)	- - -	2	4A
GLASS, Coated, Articulate (9075 AJG)	78-8073-2982-2	2	4B
GLASS, Stage (9050, 9060, 9070, 9075, 9080, 9100, 9200, and 9550 Europe)	78-8064-1473-2	5	6A
GLASS, Stage (9550)	78-8079-8975-7	5	6B
KNOB, Focus	78-8064-1601-8	4	16
LAMP, Projection, ENX, 82V, 360W	78-8011-1186-1	8	9A
LAMP, FXL (9200)	78-8073-7100-6	9	13B
LATCH, Top Cover	78-8079-8768-6	5	12
LENS, Triplet, (342 mm) (9200)	- - -	3	3
LENS, Varifocal, (270-325 mm)	78-8073-3296-6	3	4
LENS, Meniscus (355 mm)	78-8011-1440-2	2	14B
LENS, Exit, Articulate (355 mm Doublet Head)	78-8014-8812-9	2	5
LENS, Condenser (60mm)	78-8079-9025-0	10A	12

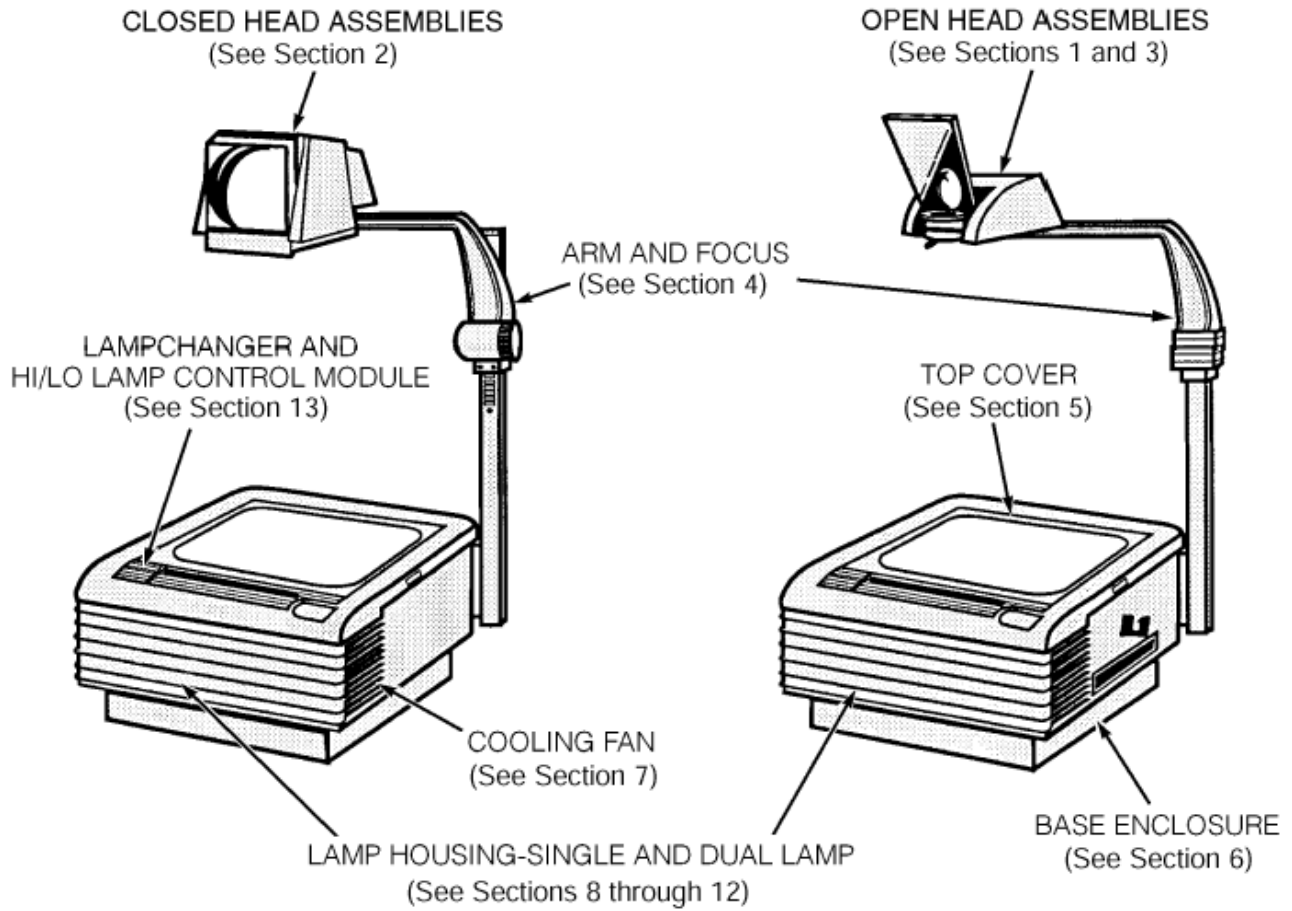
## Quick Reference Parts Index

Description	Part Number	Figure No.	Item No.
MIRROR ASSEMBLY (Open Singlet)	78-8057-4230-7	1	3
MIRROR ASSEMBLY (Doublet)	78-8064-1457-5	2	17
MIRROR ASSEMBLY, Triplet (9550 - Dark Grey, 4mm)	78-8079-9227-2	3	12A
MIRROR ASSEMBLY, Triplet (9200 - Black, 3mm)	78-8079-9156-3	3	12B
MOTOR, Fan (230 Volt)	78-8079-8936-9	7	15A
MOTOR, Fan (100 Volt)	78-8079-8937-7	7	15B
RESISTOR, 1.2 Ohm (9050, 9060, 9070)	78-8073-7127-9	8	14
SOCKET, Single lamp (ENX)	78-8079-8820-5	8	8
SWITCH, Micro	- - -	7	7
SWITCH, Lampchanger/Hi/Lo, Dimmer	78-8079-8855-1	13	8
THERMOSTAT, Safety (ENX)	78-8079-8872-6	8	5
THERMOSTAT (9080/ENX, 9100/ENX, 9200/ENX, 9550)	78-8079-8933-6	13	2
TRANSFORMER, EVD, Japan (9550) (100V)	- - -	6	16A
TRANSFORMER, Auto, EVD (120V)	78-8079-9079-7	6	16B
TRANSFORMER, EVD (220V)	78-8079-8991-4	6	16C
TRANSFORMER, FNT (100V)	78-8079-8921-1	6	16D
TRANSFORMER, FNT, Taiwan (120V)	78-8079-9070-6	6	16E
TRANSFORMER, FNT, Indonesia (127/220V)	- - -	6	16F
TRANSFORMER, Auto, Hong Kong, Thailand (220/230V)	78-8073-3009-3	6	16G
TRANSFORMER, Auto (230/240V)	78-8073-3010-1	6	16H
TRANSFORMER, Auto, Australia, India, New Zealand, South Africa (240/250V)	78-8073-3011-9	6	16I
TRANSFORMER, Brazil (127/220V) (9080 ABDB)	- - -	6	16J

LAMP, EVD 78-8079-8791-8 9 13B

LAMP, FNT 78-8054-1175-4 9 13B

Section 0. Machine Overview



**ROLLER ASSEMBLY**  
(OPTIONAL)  
(See Section 14)

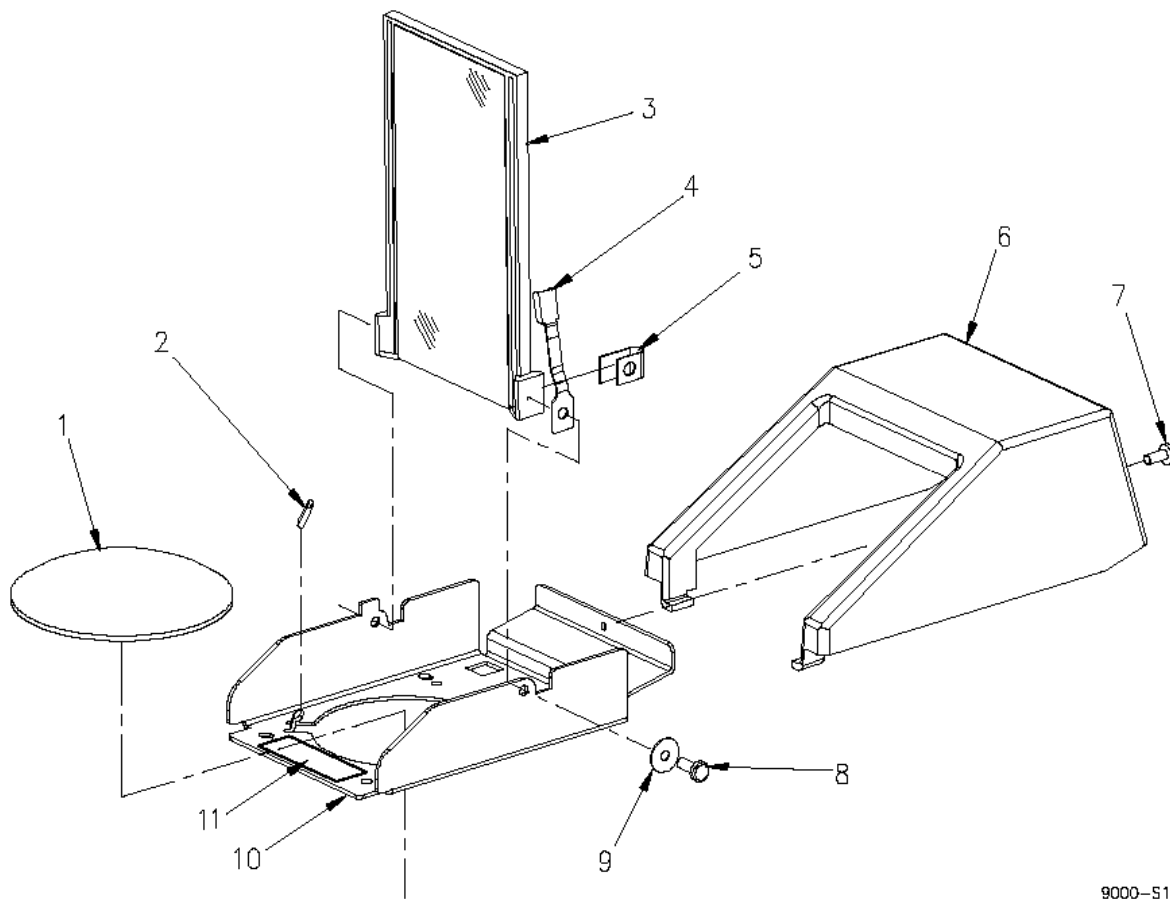
**SMALL ELECTRICAL PARTS KIT**  
(EUROPE ONLY)  
(See Section 16)

**SMALL MECHANICAL PARTS KIT**  
(EUROPE ONLY)  
(See Section 17)

**SMALL PLASTIC PARTS KIT**  
(EUROPE ONLY)  
(See Section 18)

**KIT FASTENERS 9000 SERIES**  
(EUROPE ONLY)  
(See Section 19)

Section 1.  
Wide Angle (Open) 293mm Head Assembly



9000-S1C



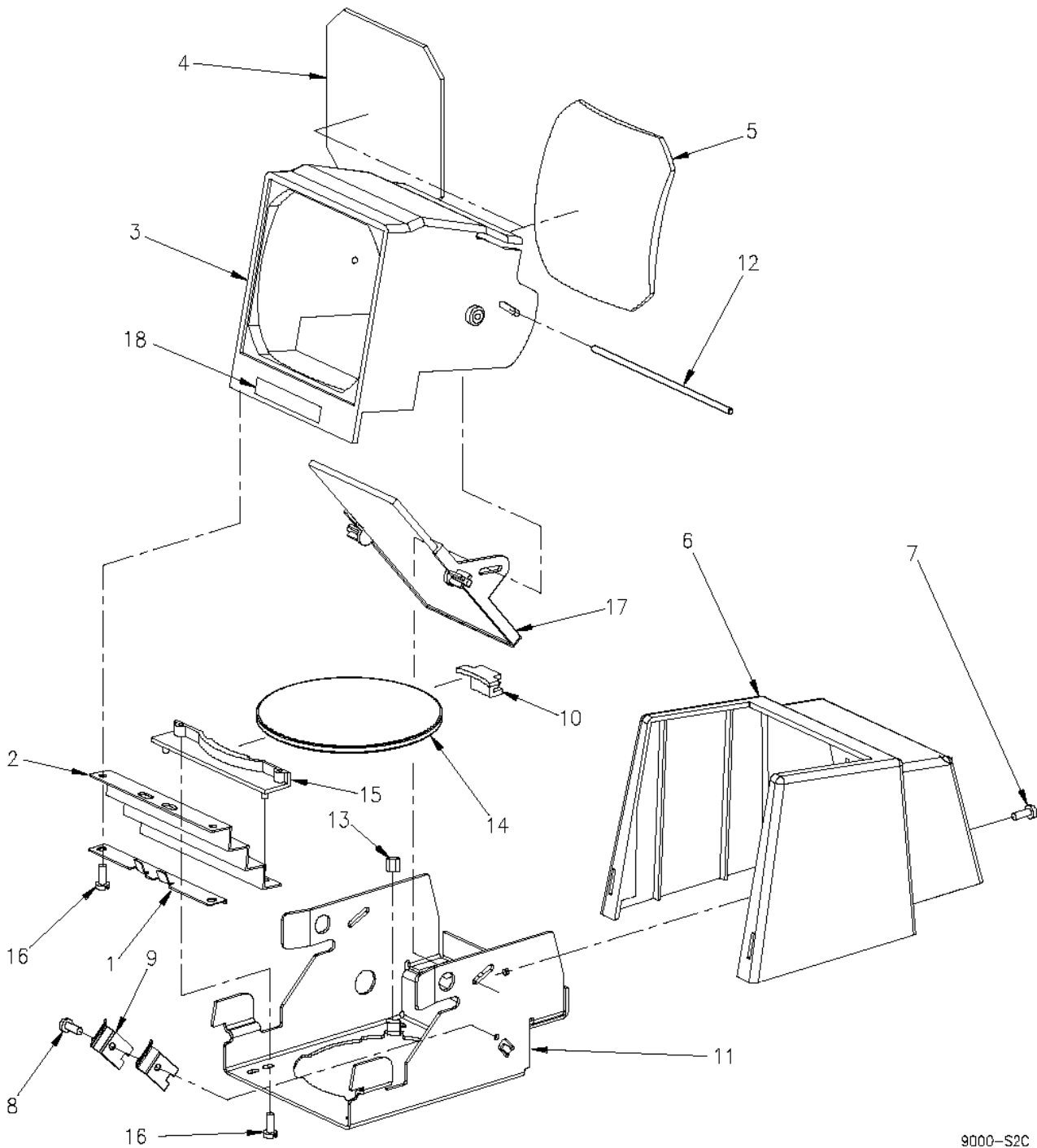
## Section 1.

## Wide Angle (Open) 293mm Head Assembly Parts List

Item No.	3M Part Number	Description	Qty.
0	78-8079-9151-4	HEAD ASSEMBLY, Wide Angle (Open), 293mm Singlet	3
1A	78-8014-8951-5	LENS, Wide Angle (293mm)	1
1B	78-8073-2980-6	LENS, Wide Angle (Used on 9075 United States, 9085 United States plus AAWB, ABWB)	1
2	78-8064-1646-3	TUBING, Lens	3
3	78-8057-4230-7	MIRROR ASSEMBLY (Open Singlet)	1
4	78-8064-1605-9	SPRING, Mirror Damping (Used on 9050 and 9080, except 9080 AJD)	1
5	(See Note 1)	NUT, U-Type, 8-32	1
6	78-8079-8802-3	COVER, Head, Singlet	1
7	(See Note 1)	SCREW, Taptite, M3.5 X 8	1
8	(See Note 1)	SCREW, Type BT, 8-18 X 7/16	1
9	(See Note 1)	WASHER, Plain Nylon	1
10	78-8079-8803-1	BRACKET, Lens, Singlet	1
11	JV-0890-0185-1	LABEL, Caution, Japan (9050 ABAJ, 9080 ABDJ, 9200 ABCJ)	1

Note 1: Order the 9000 Series Hardware Repair Kit (78-8054-1818-9). This kit contains a complete set of hardware for the 9000 Series O.H.P. \*For Europe only, see Sections 16, 17, 18, and 19 for Parts Kits.

Section 2.  
Articulate (Closed) Head Assembly



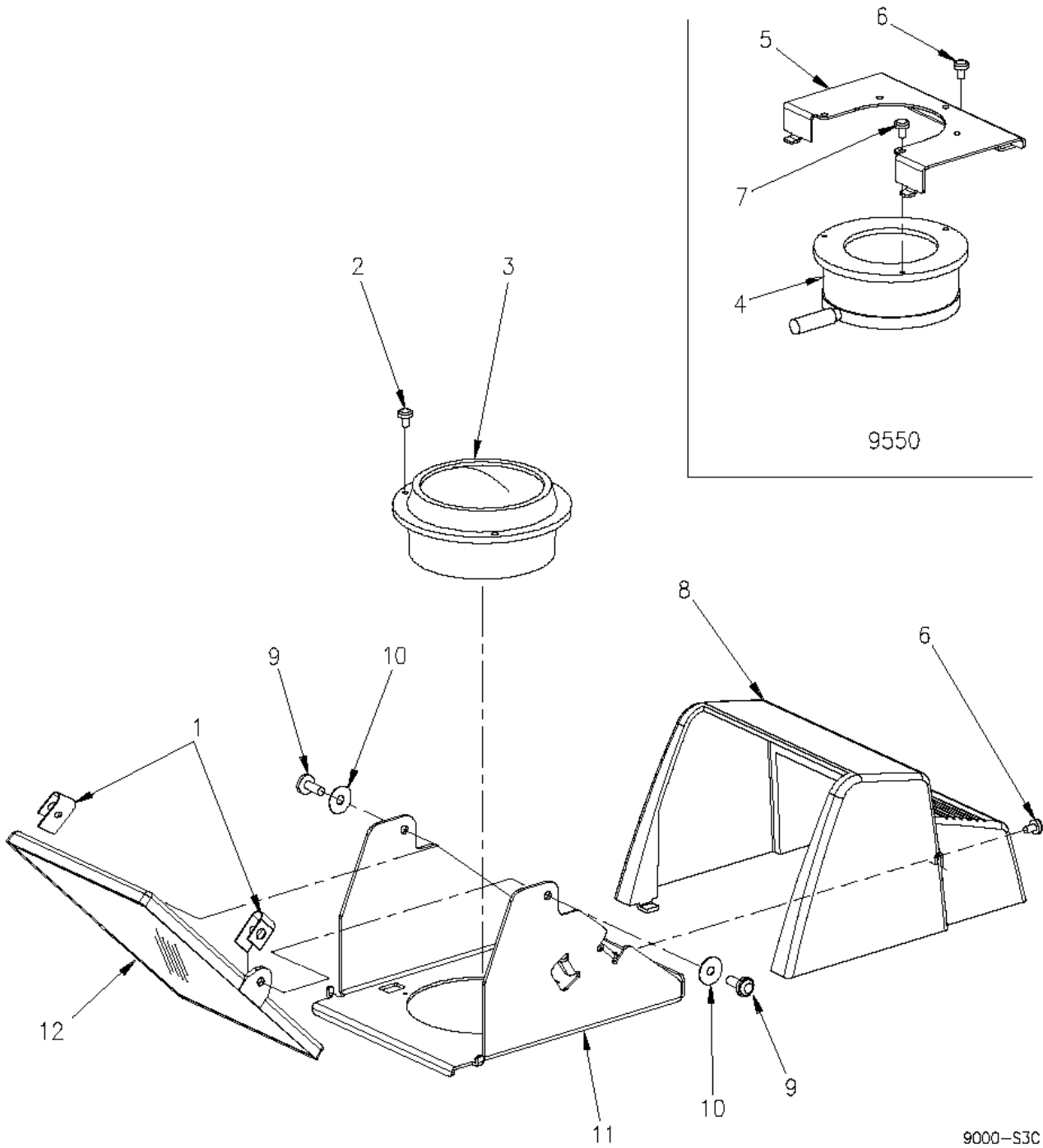
9000-S2C

Section 2.  
Articulate (Closed) Head Assembly Parts List

Item No.	3M Part Number	Description	Qty.
0A	78-8079-9152-2	HEAD ASSEMBLY, Articulate (Closed), 293mm Singlet, Wide Angle	1
0B	78-8079-9153-0	HEAD ASSEMBLY, Articulate (Closed), 355mm Doublet	1
0C	78-8073-3115-8	HEAD ASSEMBLY, Articulate (Closed), Coated, 293mm Singlet, Wide Angle (9075 AJG)	1
1A	78-8064-1602-6	CLAMP, Dust Shield and Lens	1
1B	78-8054-1791-8	CLAMP, Dust Shield and Lens (Singlet) (Used on United States versions of: 9070, 9075, 9080 plus AADD, 9085)	1
2	78-8064-1797-4	SHIELD, Dust (Short)	1
3	78-8064-1562-2	HOUSING, Exit Lens	1
4A	78-8064-1650-5	GLASS, Exit, Articulate (293mm Singlet Head)	1
4B	78-8073-2982-2	GLASS, Coated, Articulate (9075 AJG)	1
5	78-8014-8812-9	LENS, Exit, Articulate (355mm Doublet Head)	1
6A	78-8079-8805-6	COVER, Head, Doublet	1
6B	78-8079-9229-8	COVER, Head, Doublet, Xerox	1
7	(See Note 1)	SCREW, Taptite, M3.5 X 8	1
8	(See Note 1)	SCREW, Taptite, M3 X 6	1
9	78-8014-8817-8	SPRING, Tension	3
10	78-8064-1643-0	MOUNT, Lens (293mm Singlet Wide Angle)	1
11	78-8079-8804-9	BRACKET, Lens, Doublet	1
12	78-8011-1445-1	PIVOT	1
13	78-8064-1646-3	TUBING, Lens	2
14A	78-8014-8951-5	LENS, Wide Angle (293mm)	1
14B	78-8011-1440-2	LENS, Meniscus (355mm)	1
14C	78-8073-2980-6	LENS, Wide Angle (9075 AJG)	1
15A	78-8064-1596-0	CLAMP, Lens (293mm Singlet Head)	1
15B	78-8064-1595-2	CLAMP, Lens (355mm Doublet Head)	1
16	(See Note 1)	SCREW, Plastite, 4-20 X 1/4	2
17	78-8064-1457-5	MIRROR ASSEMBLY (Doublet)	1
18	JV-0890-0185-1	LABEL, Caution, Japan (9050 ABAJ, 9080 ABDJ, 9200 ABCJ)	1

Note1: Order the 9000 Series Hardware Repair Kit (78-8054-1818-9). This kit contains a complete set of hardware for the 9000 Series O.H.P. \*For Europe only, see Sections 16, 17, 18, and 19 for Parts Kits.

Section 3.  
Triplet and Varifocal Head Assemblies

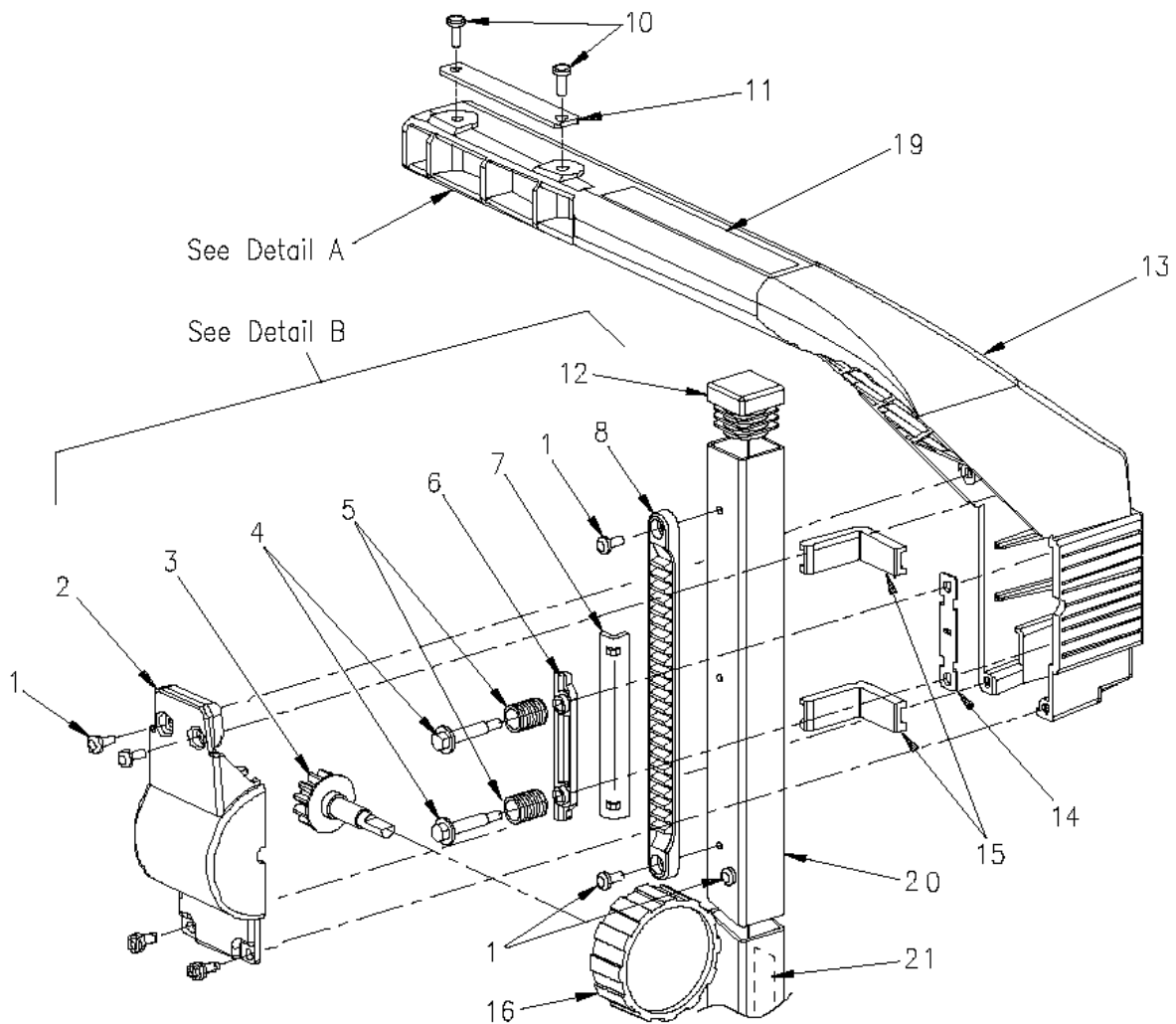
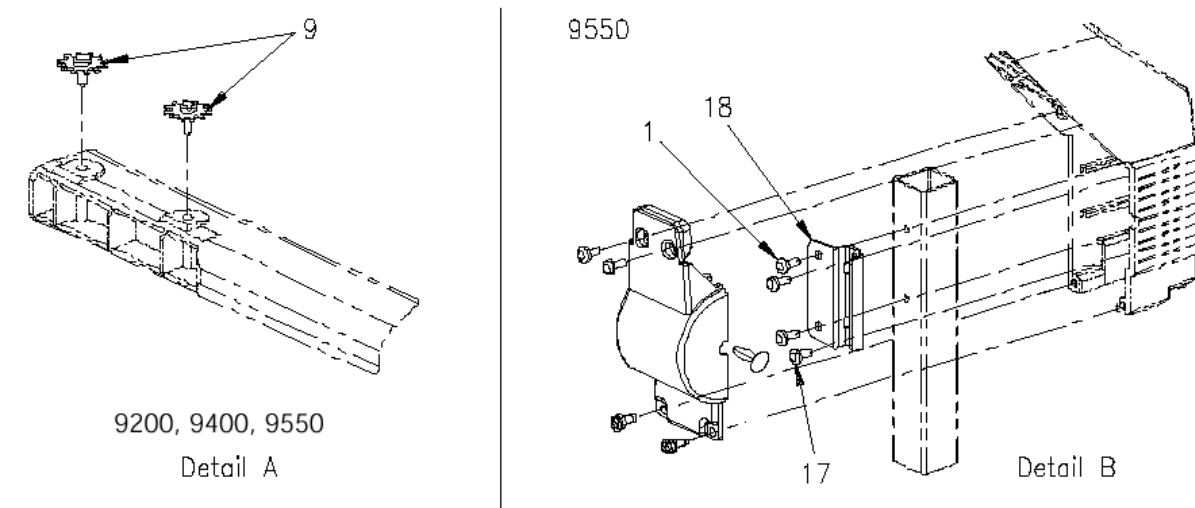


Section 3.  
Triplet and Varifocal Head Assemblies Parts List

Item No.	3M Part Number	Description	Qty.
0A	78-8079-9154-8	HEAD ASSEMBLY, Triplet (Open) (9200)	1
0B	78-8079-9155-5	HEAD ASSEMBLY, Varifocal (Open) (9550)	1
0C	TBD	HEAD ASSEMBLY, Triplet (317mm) (9400)	1
1	(See Note 1)	NUT, U-Type, 8-32	2
2	(See Note 1)	SCREW, Taptite, M3 X 6mm, Black, Zinc	3
3A	78-8097-3693-3	LENS, Triplet, High Resolution (342mm) (9200, 9400 AHRG)	1
3B	78-8014-8916-8	LENS, Triplet (317mm) (9400)	1
4	78-8073-3296-6	LENS, Varifocal (270-325mm)	1
5	78-8079-9014-4	ADAPTER, Lens (9550)	1
6	(See Note 1)	SCREW, Taptite, M3.5 X 8	2
7	(See Note 1)	SCREW, Plastite, 4-20 X 1/4 BZN	3
8A	78-8079-9015-1	COVER, Head (9200, 9400)	1
8B	78-8079-9017-7	COVER, Head (9550)	1
9	(See Note 1)	SCREW, Type BT, 8-18 X 7/16	2
10	(See Note 1)	WASHER, Plain, Nylon	2
11	78-8079-9012-8	BRACKET, Lens (9550)	1
12A	78-8079-9227-2	MIRROR ASSEMBLY, Triplet (9550 - Dark Grey, 4mm)	1
12B	78-8079-9156-3	MIRROR ASSEMBLY, Triplet (9200, 9400 - Black, 3mm)	1

Note 1: Order the 9000 Series Hardware Repair Kit (78-8054-1818-9). This kit contains a complete set of hardware for the 9000 Series O.H.P. \*For Europe only, see Sections 16, 17, 18, and 19 for Parts Kits.

Section 4.  
Arm and Focus Assembly

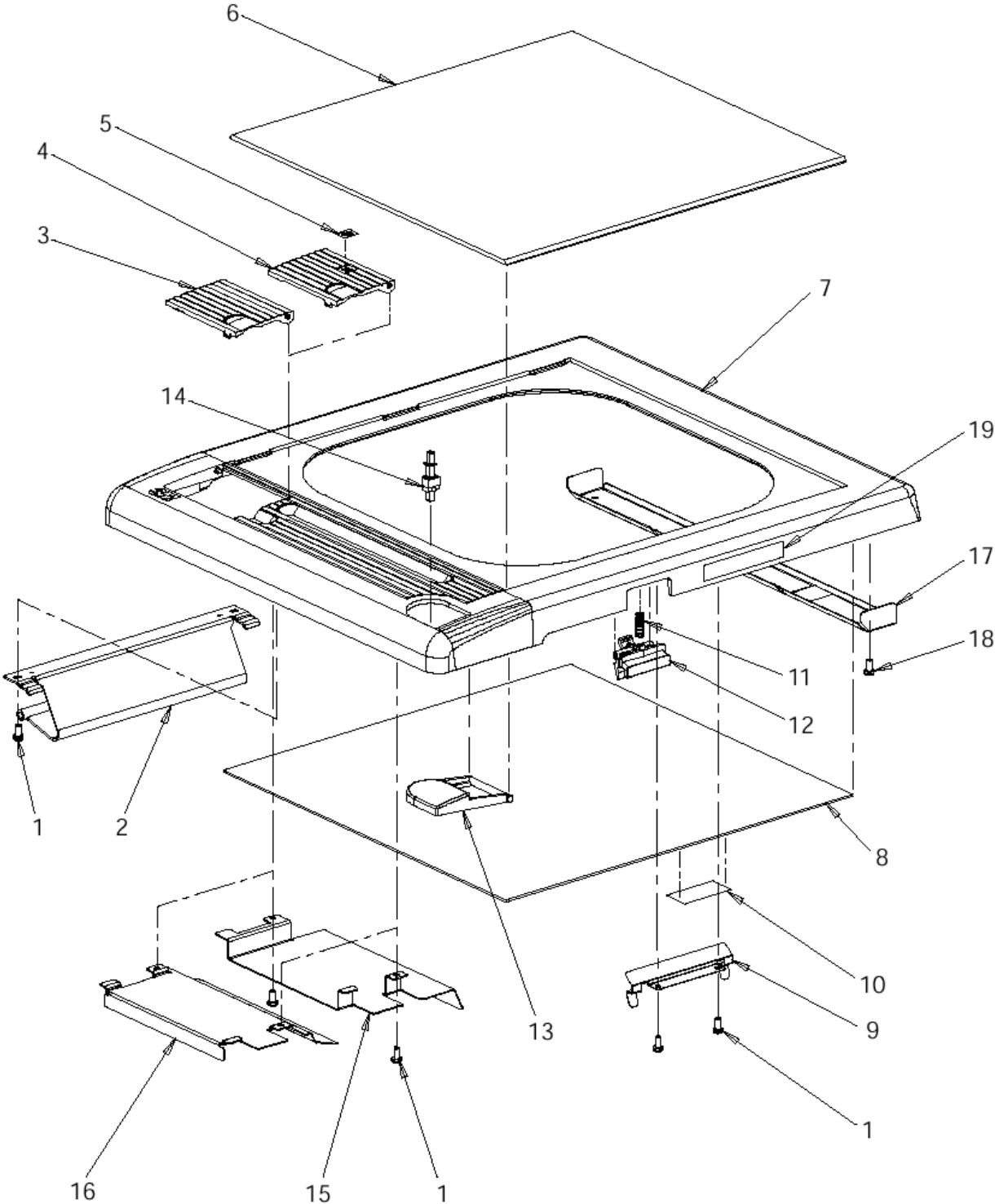


Section 4.  
Arm and Focus Assembly Parts List

Item No.	3M Part Number	Description	Qty.
0A	DY-0210-2704-9	FOCUS ARM UPGRADE KIT (Europe only)	1
0B	78-8054-1821-3	FOCUS ARM UPGRADE KIT (All versions except 9550) (Includes items 1, 2, 3A, 4, 5, 6, 7, 9, 13, 14, 15, and 16)	1
0C	78-8073-2951-7	FOCUS ARM UPGRADE KIT (9550) (Includes items 1, 2, 9, 17, 18, 22, and Focus Arm 78-8120-2942-5)	1
1	(See Note 1)	SCREW, Plastite, 6-19 X 1/2, BZN	4
2	78-8120-2930-0	CAP, Focus Arm	1
3A	78-8079-8745-4	GEAR, Focus	1
3B	26-1009-4445-8	LUBRICANT (All versions)	AR
4	(See Note 1)	SCREW, Shoulder	2
5	26-1009-4515-8	SPRING, Compression	2
6	78-8079-8747-0	BAR, Pressure	1
7	78-8079-8743-9	CLAMP, Friction	1
8	78-8079-8744-7	RACK, Focus	1
9	(See Note 1)	SCREW, Plastite, Sems, 8-11 X 5/8	2
10	(See Note 1)	SCREW, Plastite, Sems, Hex Washer	2
11	78-8079-8798-3	PLATE, Washer	1
12	26-1009-3653-8	CAP, Post (22mm square)	1
13	78-8120-2929-2	ARM, Focus, Plastic	1
14	78-8120-2920-1	PLATE, Standoff	1
15	78-8120-2925-0	PAD, Wear	2
16	78-8064-1601-8	KNOB, Focus	1
17	(See Note 1)	SCREW, Plastite, 8-16 X 3/8, BZN	2
18	78-8120-2933-4	CLAMP, Fixed Arm (9550)	1
19	JV-0890-0183-6	LABEL, Caution, Japan (9050 ABAJ, 9080 ABDJ, 9200 ABCJ, 9550 ABHJ)	1
20A	78-8079-8759-5	POST, Fixed (9050, 9060, 9070, 9075, 9400)	1
20B	78-8079-9088-8	POST, Folding, Long (9080, 9100, 9200)	1
20C	78-8079-9089-6	POST, Folding, Long (9550)	1
21	78-8054-1713-2	LABEL, Post, Japan (9050 ABAJ, 9080 ABDJ, 9550 ABHJ)	1

Note 1: Order the 9000 Series Hardware Repair Kit (78-8054-1818-9). This kit contains a complete set of hardware for the 9000 Series O.H.P. \*For Europe only, see Sections 16, 17, 18, and 19 for Parts Kits.

Section 5.  
Top Cover





Section 5.  
Top Cover Parts List

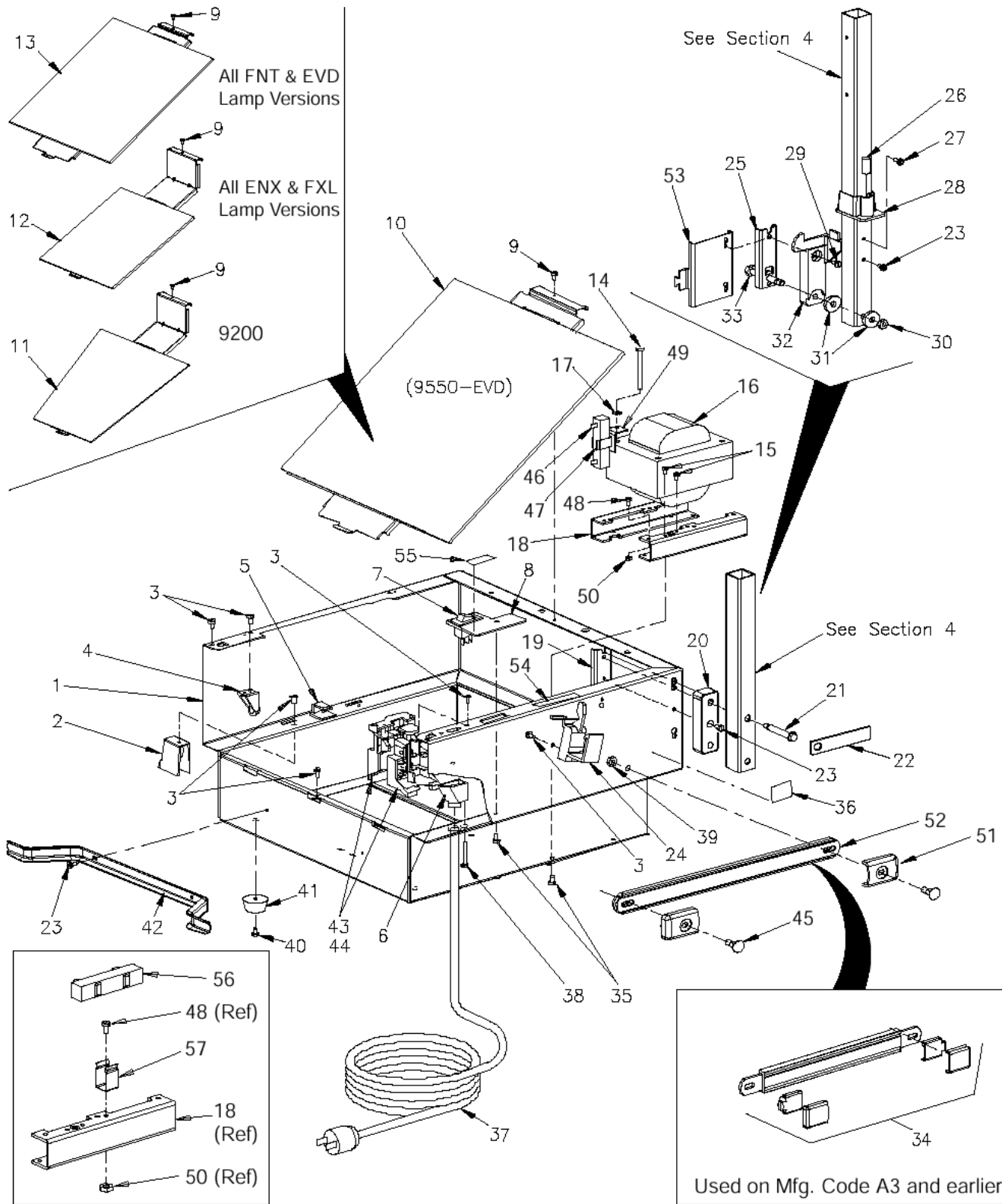
Item No.	3M Part Number	Description	Qty.
1	(See Note 1)	SCREW, Plastite, 6-19 X 5/16	6
2A	78-8120-2943-3	BRACKET, Hinge, Fresnel Lens, Dual Element (9075, 9085, 9100/FNT, 9200/FNT, 9400, 9550)	1
2B	78-8120-2941-7	BRACKET, Hinge Fresnel Lens, Single Element (9050, 9060, 9070, 9080, 9100/ENX, 9200/ENX)	1
3	78-8073-2955-8	DOOR, Lamp Changer (9080, 9100, 9200)	1
4A	78-8073-2956-6	DOOR, Lamp Changer (9550)	1
4B	78-8095-8398-8	DOOR, Lamp Changer (9400)	1
5	78-8079-9022-7	LABEL, Lamp Indicator (9550)	1
6A	78-8064-1473-2	GLASS, Stage (9050, 9060, 9070, 9075, 9080, 9100, 9200, 9400, 9550 Europe),	1
6B	78-8079-8975-7	GLASS, Stage (9550)	1
7A	78-8054-1835-3	TOP COVER, 10.5" (267mm) (without lamp changer door) (9050, 9060, 9070, 9075, 9080, 9085)	1
7B	78-8054-1837-9	TOP COVER, 10.5" (267mm) (with lamp changer door) (9080, 9100, 9200 AACM, BGC)	1
7C	78-8054-1839-5	TOP COVER, A4 (9050)	1
7D	78-8054-1838-7	TOP COVER, A4 (9080, 9085, 9100, 9200)	1
7E	78-8054-1842-9	TOP COVER, A4 (All 9550 except AAHD, AAHT, and AHHM, AJH)	1
7F	78-8054-1840-3	TOP COVER, A4 (9550 AAHD, AAHT and AHHM, AJH)	1
7G	78-8073-3108-3	TOP COVER, A4 (9080 Indonesia)	1
7H	78-8073-3106-7	TOP COVER, A4 (9100 Indonesia)	1
7I	78-8073-3107-5	TOP COVER, A4 (9200 Indonesia)	1
7J	78-8054-1842-9	TOP COVER, A4 (9400 Korea and Europe)	1
7K	78-8079-9178-7	TOP COVER, A4, Kit (9550 outside U.S.)	1
8A	78-8064-1645-5	FRESNEL LENS, Single Element, Glare Free, 182.9mm (9050, 9060, 9070, 9080, 9100 AABD, AJB, AJBW, AJBX, 9200 AACD, AKC, AMD) (Europe)	1
8B	78-8095-8353-3	FRESNEL LENS, Dual Element, Clear, 182.5mm (9075 AJG only)	1
8C	78-8054-1236-4	FRESNEL LENS, Dual Element, Glare Free, 182.5mm (9100 except AABD, AJB, AJBW and AJBX, 9200 except AACD and AJC) (Europe)	1

Section 5.  
Top Cover Parts List

Item No.	3M Part Number	Description	Qty.
8D	78-8079-9045-8	FRESNEL LENS, Dual Element, Clear, 174mm (9550 U.S. except ABHJ)	1
8E	78-8079-9176-1	FRESNEL LENS, Dual Element, Glare Free, 174mm (9550 ABHJ Europe)	1
9A	78-8079-8828-8	RETAINER, Fresnel Lens, Single Element	1
9B	78-8079-8830-4	RETAINER, Fresnel Lens, Dual Element	1
10	78-8079-8939-3	LABEL, Caution (Lens)	1
11	78-8005-0481-9	SPRING	
12	78-8079-8768-6	LATCH, Top Cover	1
13A	78-8079-8748-8	BUTTON, Power Switch, RED (All versions except 9550)	1
13B	78-8079-8974-0	BUTTON, Power Switch, PLUM (9550 except AHHK)	1
13C	78-8079-9165-4	BUTTON, Power Switch, Korea (9550 AHHK)	1
14	78-8064-1515-0	ACTUATOR, Switch Button	1
15	78-8079-8924-5	SHIELD, Heat, ENX Lamp	1
16A	78-8079-8918-7	SHIELD, Heat, FNT/EVD Lamp (all FNT and EVD versions)	1
16B	78-8095-8339-2	SHIELD, Heat, EVD Lamp (9400, 9550 except AAHD, AAHT,	1
17	78-8073-2965-7	BRACKET, Airflow (9400, 9550)	1
18	(See Note 1)	SCREW, Plastite, 6-19 X 3/8	2
19	JV-0890-0183-6	LABEL, Caution, Japan (9050, 9080, 9200, 9550)	1

Note 1: Order the 9000 Series Hardware Repair Kit (78-8054-1818-9). This kit contains a complete set of hardware for the 9000 Series O.H.P. \*For Europe only, see Sections 16, 17, 18, and 19 for Parts Kits.

Section 6.  
Base Enclosure



Section 6.  
Base Enclosure Parts List

Item No.	3M Part Number	Description	Qty.
1A	78-8073-2976-4	BASE, Post, Fixed (9550, 9060 AAEM, AJE, 9070 AJF, 9075 AJG)	1
1B	78-8079-9095-3	BASE, Post, Folding (9080, 9100) (Version 2)	1
1C	78-8079-9094-6	BASE, Carrying Handle (9200, 9550) (Version 2)	1
1D	78-8079-9093-8	BASE, Post, Fixed (9050, 9400) (Version 2)	1
2	78-8079-9066-4	FOOT, Support, Side (Except 9050 AHRZ, AHRU, AHRZ, 9080 AHRZ, AHRU, AHRZ, 9400 AHRZ, AHRU, AHRZ)	1
3	(See Note 1)	SCREW, Plastite, 6-19 X 5/16	7
4	78-8079-8817-1	PIVOT, Cover	2
5	26-1004-9859-6	CLAMP	1
6	DY-1160-2020-6	STRAIN RELIEF	1
7	78-8073-7212-9	SWITCH, Hi/Lo (9050 AHAF, AHAS, AHAZ, 9075 AJG, 9080 AHDF, AHDS, AADZ, AHBC, AHBF, AHBS, AHBZ, 9200 AHCC, AHCF, AACS, AHCZ AHMZ, 9550 AHHH)	1
8	78-8079-9007-8	BRACKET, Voltage Select Switch	1
9	(See Note 1)	SCREW, Thread Cutting, 8-18 X 5/16	1
10	Not Available	MIRROR BRACKET ASSEMBLY, First Surface (9550-EVD)	1
11	Not Available	MIRROR BRACKET ASSEMBLY (9200)	1
12	78-8079-9141-5	MIRROR BRACKET ASSEMBLY (All ENX & FXL Lamp versions)	1
13	78-8079-9142-3	MIRROR BRACKET ASSEMBLY (All FNT & EVD Lamp versions)	1
14A	(See Note 1)	SCREW, Taptite, M4 X 60	2
14B	(See Note 1)	SCREW, 8/32 X 1-1/2 (9080 ABDB, 9085 ABWB)	2
15	(See Note 1)	SCREW, Taptite, M3.5 X 6	5
16A	78-8079-9056-5	TRANSFORMER, Japan EVD (9550) (100V)	1
16B	78-8079-9079-7	TRANSFORMER, Auto, EVD (120V)	1
16C	78-8079-8991-4	TRANSFORMER, EVD (220V)	1
16D	78-8079-8921-1	TRANSFORMER, FNT (100V)	1
16E	78-8079-9070-6	TRANSFORMER, FNT Taiwan (120V)	1
16F	78-8079-8920-3	TRANSFORMER, FNT, Indonesia (127/220V)	1
16G	78-8073-3009-3	TRANSFORMER, Auto, Hong Kong, Thailand (220/230V)	1
16H	78-8073-3010-1	TRANSFORMER, Auto, FNT, Europe (230/240V)	1

Section 6.  
Base Enclosure Parts List

Item No.	3M Part Number	Description	Qty.
16I	78-8073-3011-9	TRANSFORMER, Auto, Australia, India, New Zealand, South Africa (240/250V)	1
16J	78-8079-9231-4	TRANSFORMER, Brazil, (127/220V) (9080 ABDB)	1
17A	(See Note 1)	WASHER, Lock #8, Int/Ext Tooth, #8	2
17B	(See Note 1)	WASHER, Ext Tooth, Lock, #10	1
18A	78-8073-3007-7	BRACKET, Transformer	1
18B	78-8073-3008-5	BRACKET, Transformer, Small (Not used in European versions)	2
19	78-8079-8810-6	BRACKET, Backup (Fixed Post) (Not used in European versions)	1
20	78-8079-8809-8	BLOCK, Post (Fixed Post)	1
21	(See Note 1)	BOLT, Post (Fixed Post)	2
22	78-8011-1485-7	WRENCH	1
23	(See Note 1)	SCREW, Taptite, M3.5 X 8	2
24	78-8079-8890-8	CRADLE, Post (Folding Post)	1
25	78-8079-8846-0	BRACKET, Pivot (Folding Post) (All folding post versions except 9550 ABHJ)	1
26	(See Note 1)	SPRING, Compression	1
27	(See Note 1)	SCREW, Latch (Folding Post)	1
28	78-8079-8852-8	POST LOCK (Folding Post)	1
29	(See Note 1)	SCREW, TT, Pan Head, 10-32 X 5/8 L	1
30	(See Note 1)	NUT, Hex, 1/4 - 20, Elastic	1
31	(See Note 1)	WASHER	2
32	78-8079-8875-9	PIVOT, Post Mount (Folding Post)	1
33A	(See Note 1)	BOLT, Pivot (Folding Post) (All folding post versions except 9550 ABHJ)	1
33B	(See Note 1)	BOLT, Pivot (Folding Post) (9550 ABHJ)	1
34	Not Available	HANDLE ASSEMBLY (Mfg. Code A3 and earlier)	1
35	(See Note 1)	SCREW, Sems, Taptite, M4 X 8	2
36	78-8073-2972-3	LABEL, Nom, Mexico (Short) (9050 AAAM, 9060 AAEM, 9100 AABM, 9200 AACM, 9550 AHHM)	1
37A	78-8054-1804-9	POWER CORD, Australia, 10 Ft.	1
37B	78-8054-1803-1	POWER CORD, Australia, 15 Ft.	1
37C	78-8054-1799-1	POWER CORD, Europe, 10 Ft.	1

Section 6.  
Base Enclosure Parts List

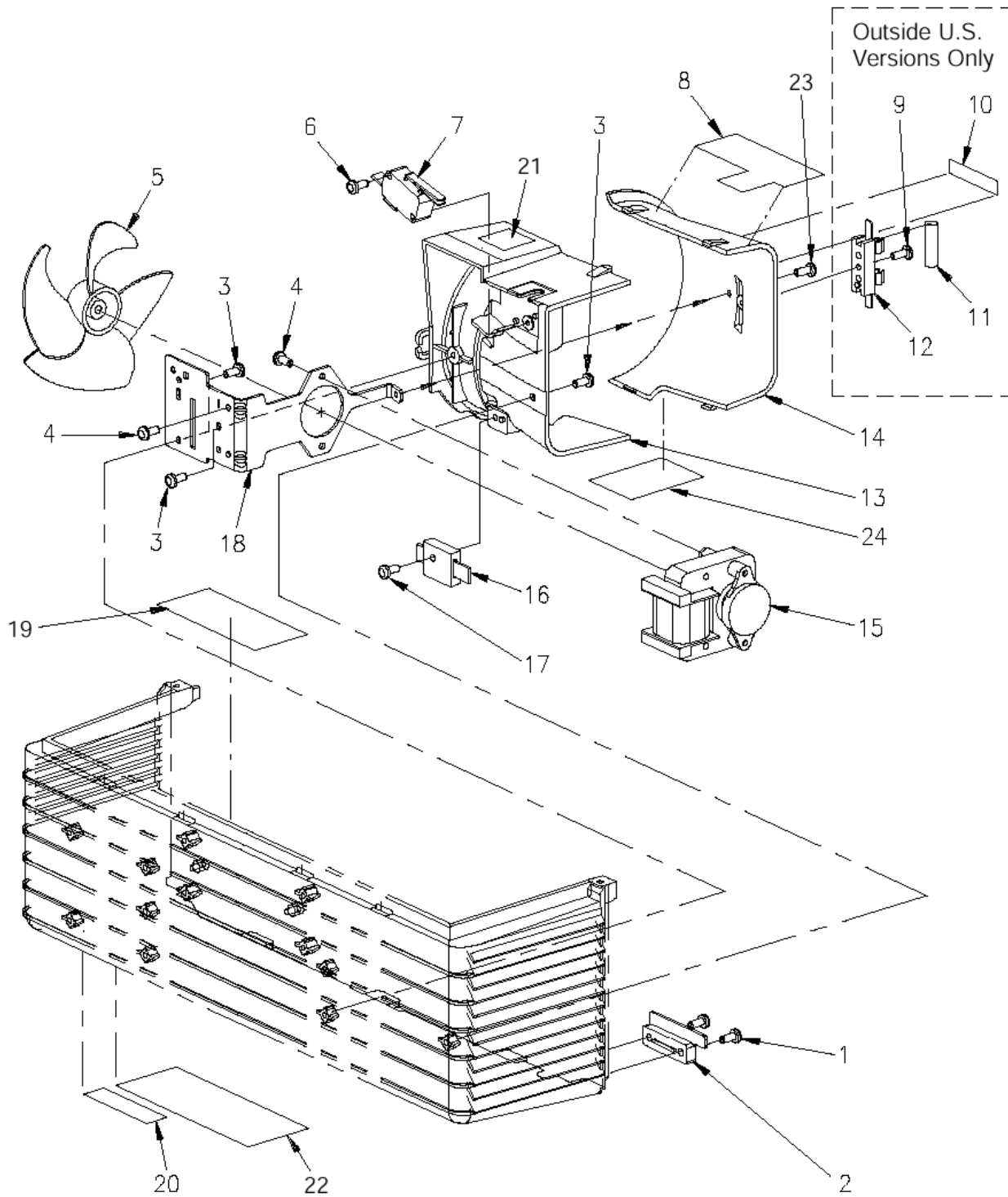
Item No.	3M Part Number	Description	Qty.
37D	78-8054-1802-3	POWER CORD, Europe, 15 Ft.	1
37E	78-8054-1815-5	POWER CORD, 2 Blade (with ground), 10 Ft. (9050 AAAT, ABAJ, ARAP)	1
37F	78-8054-1814-8	POWER CORD, 2 Blade (with ground), 15 Ft. (9050 AAAB, 9080 AADB, AADT, ABDB, ABDJ, ARDP, 9085 AAWB, ABWB, 9100 AABT, ABBJ, ARBP, 9200 AACT, ABCJ, ARCP, 9550 AAHT, ABHJ and ARHP)	1
37G	78-8054-1810-6	POWER CORD, India, 15 Ft.	1
37H	78-8054-1812-2	POWER CORD, Italy, 15 Ft.	1
37I	78-8054-1797-5	POWER CORD, United Kingdom, 10 Ft	1
37J	78-8054-1798-3	POWER CORD, United Kingdom, 15 Ft.	1
37K	78-8079-8822-1	POWER CORD, U.S. (120V) 10 Ft. (9050, 9060, 9070, 9075)	1
37L	78-8079-8934-4	POWER CORD, U.S. (120V) 15 Ft. (9100, 9200 ENX and FXL)	1
37M	78-8054-1811-4	POWER CORD, 120V, (9550)	1
37N	78-8054-1809-8	POWER CORD, South Africa, 10 Ft.	1
37O	78-8054-1806-4	POWER CORD, South Africa, 15 Ft.	1
37P	78-8054-1805-6	POWER CORD, Swiss, 15 Ft.	1
38A	(See Note 1)	SCREW, Plastite, 6-19 X 1	1
38B	(See Note 1)	SCREW, Plastite, 6-19 X 1, Torx	1
39A	(See Note 1)	NUT, Keps, 10-32, External, Lock Wash (Mfg. Code A3 and earlier)	2
39B	(See Note 1)	NUT, Keps, 12-24 (Mfg. Code A3 and later)	2
40	(See Note 1)	SCREW, Foot	4
41	26-1008-5211-5	FOOT	4
42	78-8079-8897-3	WRAP, Cord	1
43	78-8073-3039-0	SWITCH, Interlock	1
44	Not Available	COVER, Interlock Switch	1
45	(See Note 1)	SCREW, End Cap (Mfg. Code A3 and later)	2
46	78-8054-1456-8	RESISTOR, 220/240V (9550 AHHH)	1
47	78-8033-1666-6	CLIP, Tinnerman	1
48	(See Note 1)	SCREW, Mach, M3 X 16	4
49	Not Available	BRACKET, Resistor	1
50	(See Note 1)	NUT, Keps, M3	4

Section 6.  
Base Enclosure Parts List

Item No.	3M Part Number	Description	Qty.
51	78-8079-9218-1	STRAP, Handle (Mfg. Code A3 and later)	1
52	78-8079-9217-3	CAP, End (Mfg. Code A3 and later)	2
53	78-8095-8354-1	BRACE, Post (9550 ABHJ)	1
54	JV-0890-0183-6	LABEL, Caution, Japan (9050 ABAJ, 9080 ABDJ, 9100 ABBJ, 9200 ABCJ, 9550 ABHJ)	1
55	78-8079-9138-1	LABEL, Switch, Brazil	1
56	78-8073-7127-9	RESISTOR, 1.2 Ohm, .25 tab (Used on all ENX Lamp models of: 9050, 9060, 9070, 9075, 9080 except AADB, 9085, 9100, and also 9200 FXL Lamp models)	1
57	(See Note 1)	CLIP, Tinnerman (Used on U.S. versions of: 9050, 9060, 9070, 9075)	1

Note 1: Order the 9000 Series Hardware Repair Kit (78-8054-1818-9). This kit contains a complete set of hardware for the 9000 Series O.H.P. \*For Europe only, see Sections 16, 17, 18, and 19 for Parts Kits.

Section 7.  
Cooling Fan



9000-S7C



Section 7.  
Cooling Fan Parts List

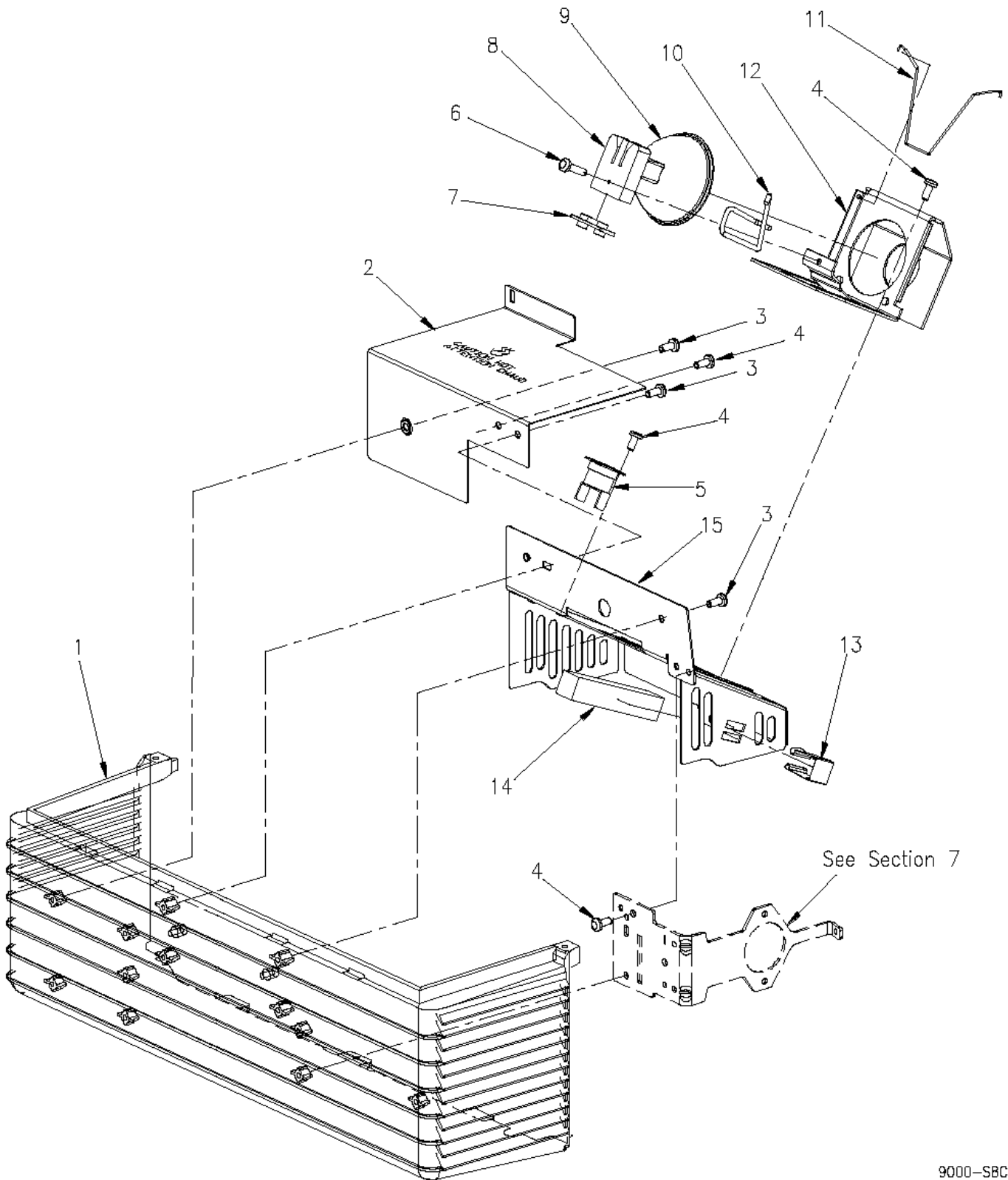
Item No.	3M Part Number	Description	Qty.
1	(See Note 1)	SCREW, 6-19 X 3/8 L, Plastite	1
2A	78-8079-8796-7	PLATE, Cord, Large (Black)	1
2B	78-8079-8797-5	PLATE, Cord, Small (Gray)	1
3	(See Note 1)	SCREW, Plastite, 6-19 X 5/16	3
4	(See Note 1)	SCREW, Taptite, M3.5 X 6	4
5	78-8054-1823-9	BLADE, Fan	1
6	(See Note 1)	SCREW, Type BT, 4-24 X 5/8	1
7	78-8079-9199-3	SWITCH, Micro	1
8A	78-8079-8878-3	LABEL, Lamp Replacement (ENX)	1
8B	78-8079-8977-3	LABEL, Lamp Replacement (FXL) (9075, 9200)	1
8C	78-8079-8979-9	LABEL, Lamp Replacement (EVD International) (9400, 9550)	1
8D	78-8079-8978-1	LABEL, Lamp Replacement (FNT)	1
8E	78-8079-8980-7	LABEL, Lamp Replacement (EVD - U.S.)	1
8F	78-8079-9084-7	LABEL, Lamp Replacement (Japan)	1
8G	JV-0890-0189-3	LABEL, Lamp Replacement, Japan (9050 ABAJ, 9080 ABDJ, 9100 ABBJ, 9200 ABCJ, 9550 ABHJ)	1
9	(See Note 1)	SCREW, Plastite, 4-20 X 3/8	1
10A	78-8057-4184-6	LABEL, Fuse, 5 Amp	1
10B	78-8079-9057-3	LABEL, Fuse, Japan	1
10C	78-8079-9018-5	LABEL, Fuse, 4 Amp	1
11A	26-1005-9599-5	FUSE, 5 Amp (100/120V versions) (9550, 9400 Europe)	1
11B	26-1008-6347-6	FUSE, 4 Amp (9050, 9080, 9200 Europe)	1
12	26-1005-6624-4	FUSEHOLDER	1
13	78-8079-8874-2	DUCT, Fan, Forward	1
14	78-8079-8873-4	DUCT, Fan, Rear	1
15A	DY-0120-2707-2	MOTOR, Fan (230V) (All European versions)	1
15B	78-8079-8937-7	MOTOR, Fan (100V)	1
16	78-8054-1836-1	DIODE KIT, Inline	1
17	(Part of item 16)	SCREW, Plastite, 6-19 X 1/2	1
18	78-8120-2913-6	BRACKET, Motor	1
19	Not Available	TAPE, Reflective (9080, 9100, 9200, 9400, 9550)	AR
20	78-8064-1809-7	LABEL, Caution (Australia)	1

Section 7.  
Cooling Fan Parts List

Item No.	3M Part Number	Description	Qty.
21A	78-8073-3292-5	LABEL, Service (New Zealand)	1
21B	78-8079-9201-7	LABEL, Service (Australia)	1
21C	JV-0891-0182-6	LABEL, Japan (9050 ABAJ, 9080 ABDJ, 9100 ABBJ, 9200 ABCJ, 9550 ABHJ)	1
22	Not Available	NAMEPLATE, Data	REF
23	(See Note 1)	SCREW, Taptite, M3.5 X 10	1
24	Not Available	TAPE, Reflective, 1 inch	AR
25	78-8003-8335-4	WIRE, Tie, Panduit (Not shown)	AR
26	(Part of item 16)	HOLDER, Diode (Not shown)	1
27	Not Available	SHIELD, Winding (Not shown)	1
28	78-8054-1855-1	FAN MOTOR ASSEMBLY - International (Not shown) (Includes items 5, 15B, 18, and 27, plus 2 jumpers and 4 screws)	1
29	78-8114-9015-6	FAN MOTOR ASSEMBLY - U.S. (Not shown) (Includes items 5, 13, 14, 15A, 18, and 27, plus a label, tape, and 8 screws)	1

Note 1: Order the 9000 Series Hardware Repair Kit (78-8054-1818-9). This kit contains a complete set of hardware for the 9000 Series O.H.P. \*For Europe only, see Sections 16, 17, 18, and 19 for Parts Kits.

Section 8.  
Lamp Housing - ENX Single Lamp



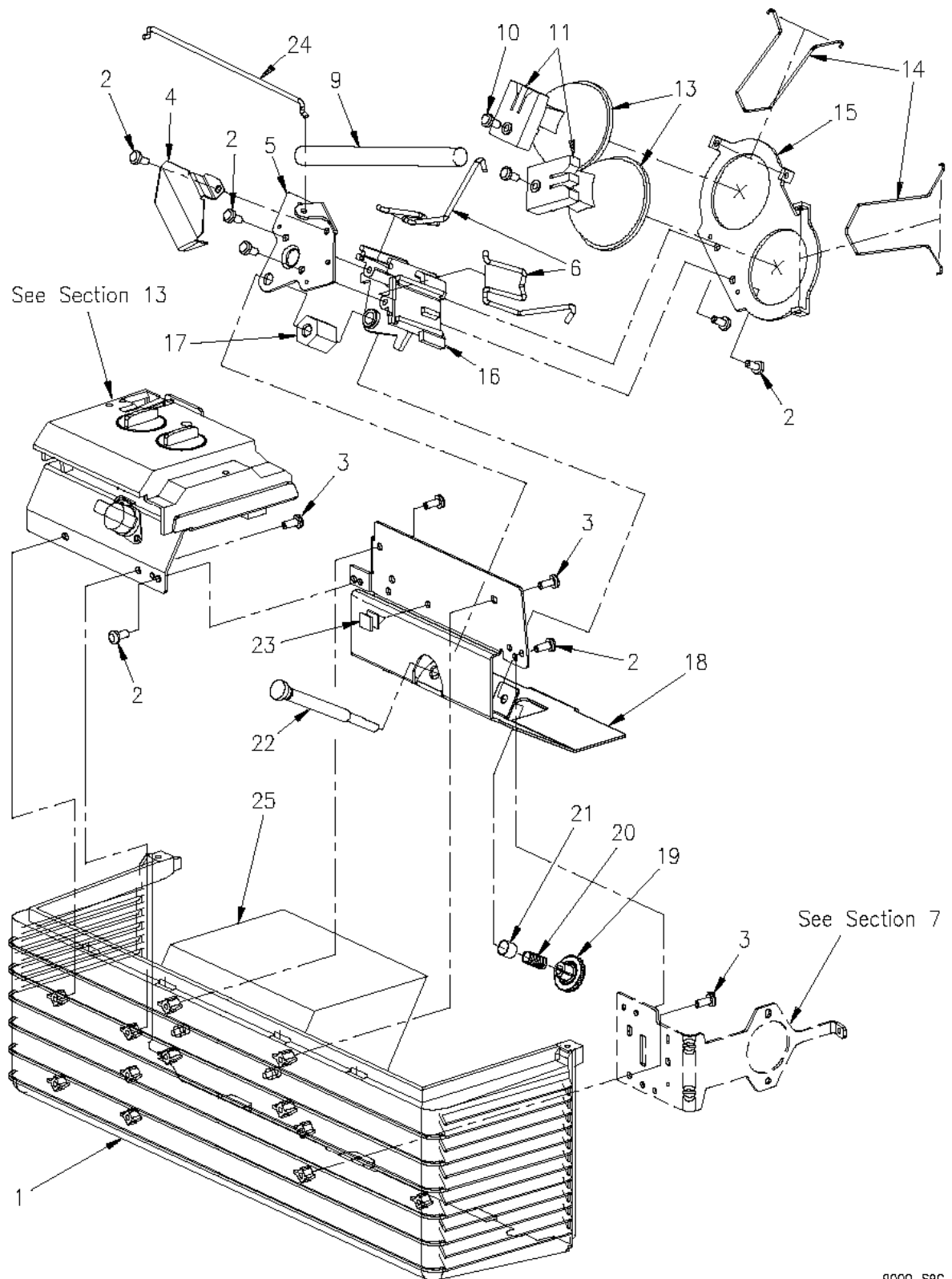
9000-SBC

Section 8.  
Lamp Housing - ENX Single Lamp Parts List

Item No.	3M Part Number	Description	Qty.
0	78-8079-9157-1	LAMP MODULE, ENX Single (120V) (Complete assembly)	1
1	78-8079-8752-0	HOUSING, Lamp Module	1
2A	78-8079-8840-3	BRACKET, Support (All versions except 9075 AJG)	1
2B	78-8073-2975-6	BRACKET, Switch, Hi/Low (9075 AJG only)	1
3	(See Note 1)	SCREW, Plastite, 6-19 X 5/16	3
4	(See Note 1)	SCREW, Taptite, M3.5 X 6	4
5	78-8079-8872-6	THERMOSTAT, Safety (ENX)	1
6	(See Note 1)	SCREW, Taptite, M3 X 16	1
7	78-8064-1509-3	COVER, Wire	1
8	78-8079-8820-5	SOCKET, Single lamp (ENX)	1
9	78-8011-1186-1	LAMP, Projection, ENX, 82V, 360W	1
10	78-8064-1491-4	WIREFORM, Lampholder	1
11	78-8064-1510-1	SPRING, Retainer	1
12	78-8073-7208-7	BRACKET, Socket	1
13	78-8033-1666-6	CLIP, Tinnerman	1
14	78-8073-7127-9	RESISTOR, 1.2 Ohm (9050, 9060, 9070)	1
15	78-8079-8895-7	MOUNT, ENX - Single Lamp	1

Note 1: Order the 9000 Series Hardware Repair Kit (78-8054-1818-9). This kit contains a complete set of hardware for the 9000 Series O.H.P. \*For Europe only, see Sections 16, 17, 18, and 19 for Parts Kits.

Section 9.  
Lamp Housing - ENX/FXL Dual Lamp



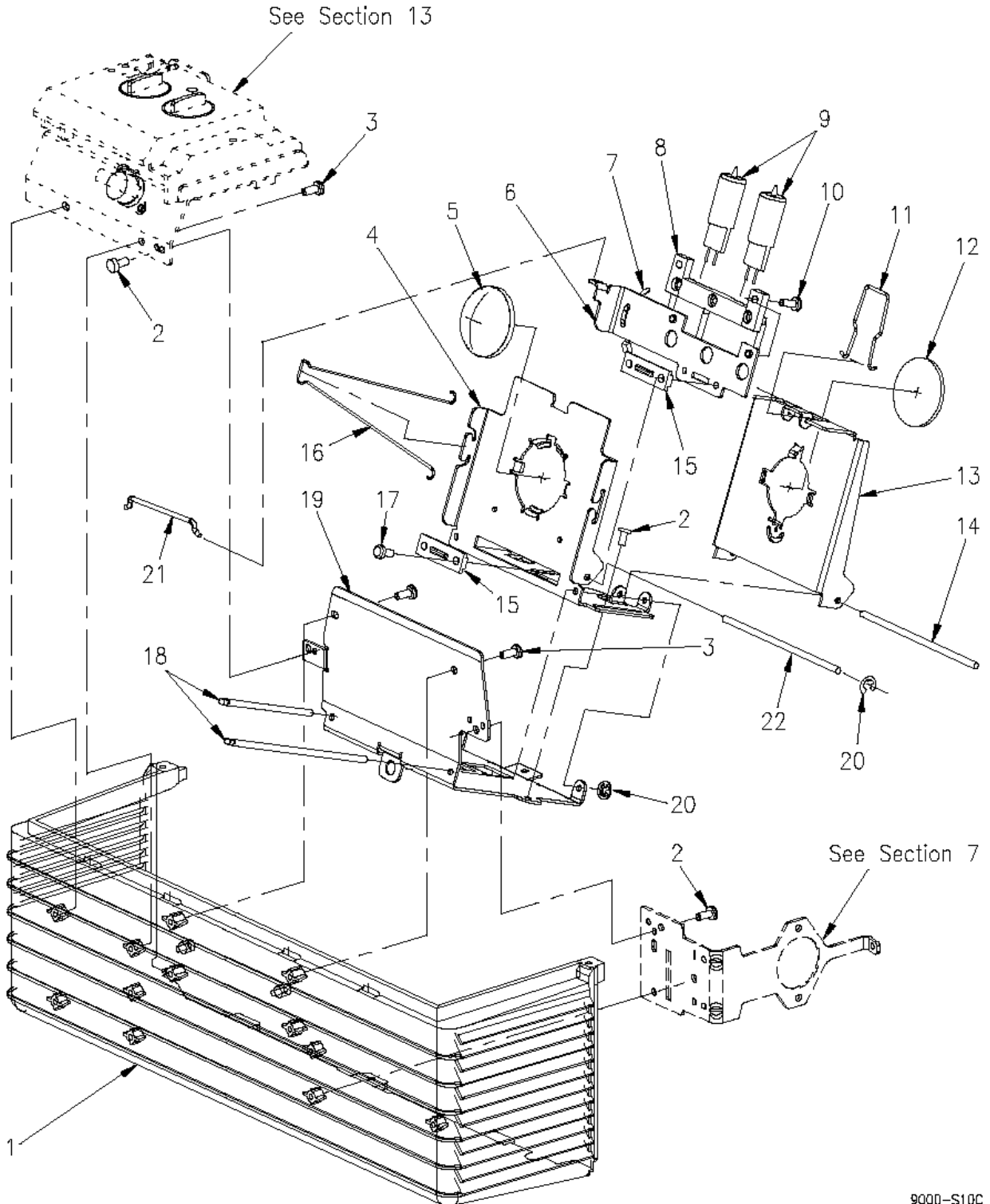
9000-S9C

Section 9.  
Lamp Housing - ENX/FXL Dual Lamp Parts List

Item No.	3M Part Number	Description	Qty.
0A	78-8079-9158-9	LAMP MODULE, without Dimmer (120V) (9080) (Complete assembly)	1
0B	78-8079-9159-7	LAMP MODULE, with Dimmer (120V) (9100, 9200) (Complete assembly)	1
1	78-8095-8343-4	HOUSING, Lamp Module	1
2	(See Note 1)	SCREW, Taptite, M3.5 X 6	6
3	(See Note 1)	SCREW, Plastite, 6-19 X 5/16	3
4	78-8079-8923-7	BRACKET, Wire Cover	1
5	78-8079-8858-5	PLATE, Socket, Dual Lamp (ENX)	1
6	78-8079-8862-7	EJECTOR, Lamp	2
7,8	Not Used		
9	78-8079-8984-9	SLEEVE, Insulator	1
10	(See Note 1)	SCREW, Taptite, M3 X 12	2
11	78-8073-3017-6	SOCKET, Lamp, Dual, Black	2
12	Not Used		
13A	78-8011-1186-1	LAMP, ENX (9080, 9100)	2
13B	78-8073-7100-6	LAMP, FXL (9075, 9200)	2
14	78-8079-8863-5	RETAINER, Lamp	1
15	78-8079-8856-9	PLATE, Lamp, Dual Lamp (ENX)	1
16	78-8079-8857-7	PIVOT, Lamp Mount, Dual Lamp (ENX)	1
17	78-8079-8866-8	SLEEVE, Color Tuning	1
18	78-8073-3005-1	BRACKET, Lamp Mount, ENX (Used on all versions after serial no. 842643)	1
19	78-8079-8912-0	KNOB, Color Tuning	1
20	26-1009-7485-1	SPRING	
21	(See Note 1)	CLIP, Tinnerman	1
22	78-8079-8893-2	SHAFT, Color Tuning	1
23	(See Note 1)	CLIP/Clamp, Cable Clamp Acc.	1
24	78-8079-8887-4	ROD, Lamp Changer	1
25	Not Available	TAPE, Reflective	1

Note 1: Order the 9000 Series Hardware Repair Kit (78-8054-1818-9). This kit contains a complete set of hardware for the 9000 Series O.H.P. \*For Europe only, see Sections 16, 17, 18, and 19 for Parts Kits.

Section 10A.  
Lamp Housing - EVD Dual Lamp (9550)  
(Mfg. Code A3 and earlier)



9000-S10C

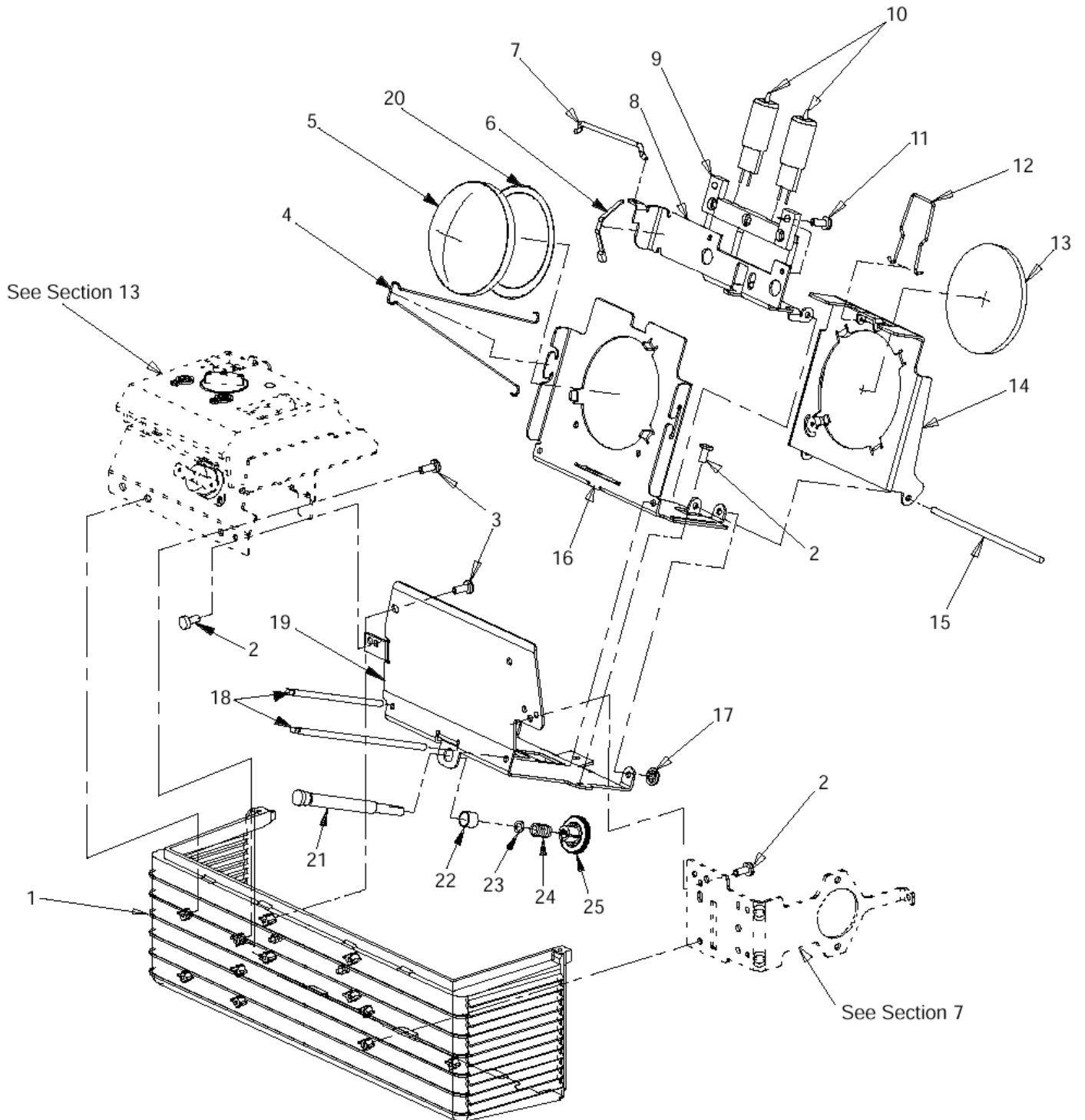
Section 10A.  
Lamp Housing - EVD Dual Lamp (9550)  
(Mfg. Code A3 and earlier) Parts List

Item No.	3M Part Number	Description	Qty.
0	78-8079-9162-1	LAMP MODULE, EVD Dual (120V) (Complete assembly)	1
1	78-8079-8752-0	HOUSING, Lamp Module	1
2	(See Note 1)	SCREW, Taptite, M3.5 X 6	3
3	(See Note 1)	SCREW, Plastite, 6-19 X 5/16	4
4	78-8079-8837-9	HOLDER, Reflector (EVD)	1
5	78-8079-8899-9	REFLECTOR, (60 mm)	1
6	Not Available	BRACKET, Dual Lamp (EVD)	1
7	78-8003-8335-4	WIRE, Tie, Panduit	1
8	Not Available	LAMP SOCKET ASSEMBLY, Dual	1
9	78-6969-9248-2	LAMP, EVD	2
10	(See Note 1)	SCREW, Taptite, M3 X 10	2
11	78-8079-9053-2	SPRING, Catch	1
12	78-8079-9025-0	LENS, Condenser (60 mm)	1
13	78-8079-8836-1	BRACKET, Lens (Large Condenser)	1
14	78-8079-8930-2	ROD, Center	1
15	78-8079-9008-6	SLIDE, Lamp Changer	1
16	78-8079-8896-5	SPRING, Retaining, Reflector (EVD)	1
17	(See Note 1)	SCREW, Taptite, M3.5 X 12	2
18	78-8079-8931-0	ROD, Slide	2
19	78-8079-8814-8	MOUNT, Lamp Holder (FNT/EVD)	2
20	(See Note 1)	RING, Push-on, Truarc	1
21	78-8079-8988-0	ROD, Lamp Changer	1
22	78-8079-9097-9	ROD, Slide	1

Note 1: Order the 9000 Series Hardware Repair Kit (78-8054-1818-9). This kit contains a complete set of hardware for the 9000 Series O.H.P. \*For Europe only, see Sections 16, 17, 18, and 19 for Parts Kits.



Section 10B.  
Lamp Housing - EVD Dual Lamp (9550)  
(Mfg. Code A3 and later)



Section 10B.  
Lamp Housing - EVD Dual Lamp (9550)  
(Mfg. Code A3 and later) Parts List

Item No.	3M Part Number	Description	Qty.
0	78-8079-9162-1	LAMP MODULE, Dual, EVD (120V) (Complete assembly)	1
1A	78-8079-8752-0	HOUSING, Lamp Module (Used on all versions except 9400 Korea) (See Note 2)	1
1B	78-8095-8343-4	HOUSING, Lamp Module, (9400 Korea only) (See Note 2)	1
2	(See Note 1)	SCREW, Taptite, M3.5 X 6	3
3	(See Note 1)	SCREW, Plastite, 6-19 X 5/16	4
4	78-8079-8896-5	SPRING, Retaining, Reflector (EVD)	1
5	78-8079-8899-9	REFLECTOR, (60mm)	1
6	78-8003-8335-4	WIRE, Tie, Panduit	1
7	78-8079-8988-0	ROD, Lamp Change	1
8	78-8079-9203-3	BRACKET, Dual Lamp (EVD)	1
9	78-8073-3015-0	SOCKET ASSEMBLY, Lamp, Dual	1
10	78-6969-9248-2	LAMP, EVD	2
11	(See Note 1)	SCREW, Taptite, M3 X 10	2
12	78-8079-9053-2	SPRING, Catch	1
13	78-8079-9025-0	LENS, Condenser (60mm)	1
14	78-8079-8836-1	BRACKET, Lens (Large Condenser)	1
15	78-8079-8930-2	ROD, Center	1
16	78-8054-1763-7	HOLDER, Reflector (EVD)	1
17	(See Note 1)	RING, Push-on, Truarc	1
18	78-8079-8931-0	ROD, Slide	2
19	78-8079-8814-8	MOUNT, Lamp Holder (FNT/EVD)	1
20	78-8097-3649-5	SPACER, Reflector	1
21	78-8079-8928-6	SHAFT, Color Tune, International (9400 Korea only) (See Note 2)	1
22A	78-8079-8866-8	SLEEVE, Color Tune (9400 Korea only) (See Note 2)	1
22B	78-8073-3117-4	NUT (9050, 9400)	1
23A	(See Note 1)	WASHER, Spring (9400 Korea only) (See Note 2)	1
23B	26-1009-9689-6	WASHER, Spring (9050, 9400)	1

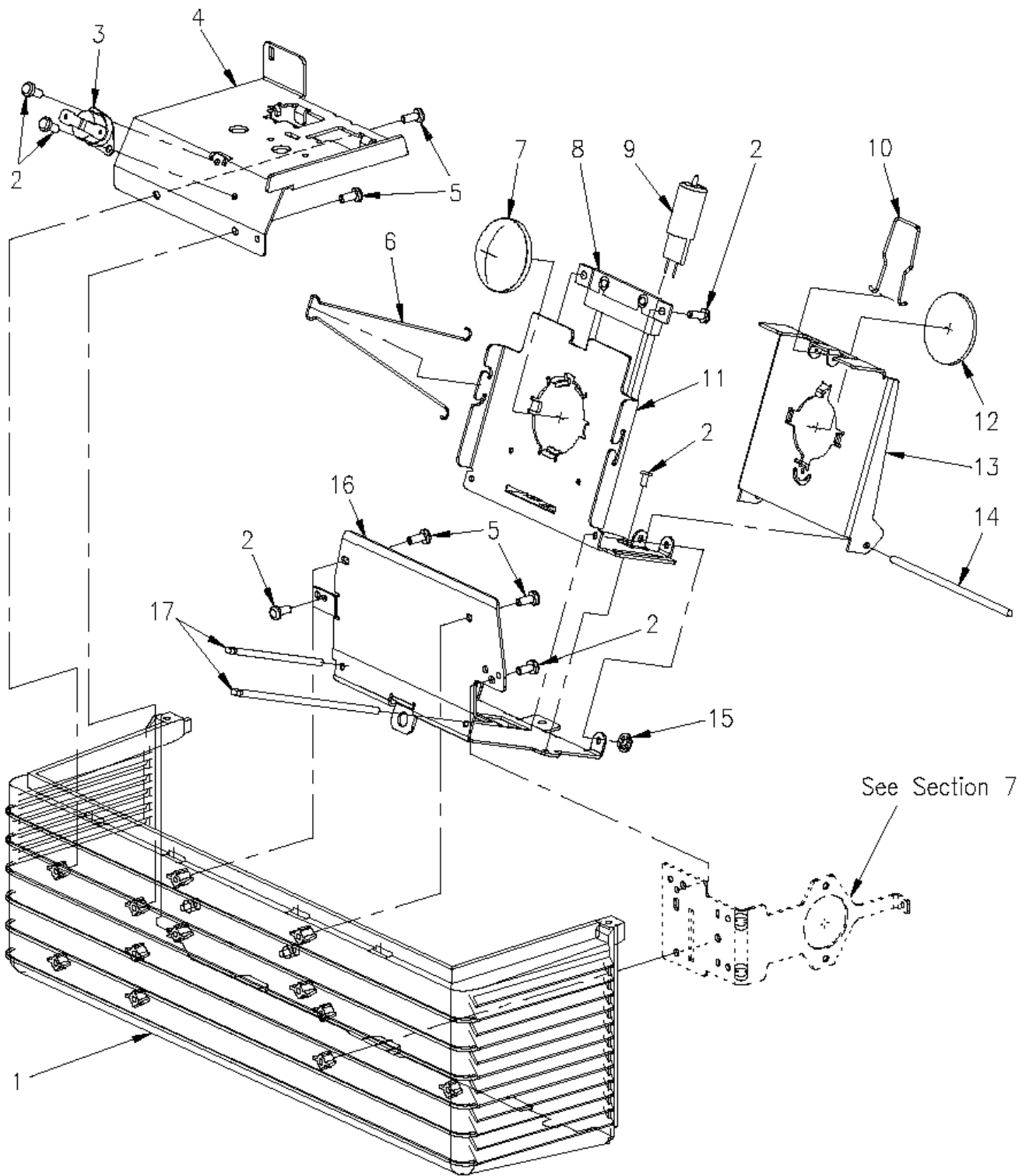
Section 10B.  
Lamp Housing - EVD Dual Lamp (9550)  
(Mfg. Code A3 and later) Parts List

Item No.	3M Part Number	Description	Qty.
24A	(See Note 1)	CLIP, Speed Knob to Shaft (9400 Korea only) (See Note 2)	1
24B	26-1009-7186-5	CLIP, Speed Knob (9050, 9400)	1
25	78-8079-8912-0	KNOB, Color Tuning (9400 Korea only) (See Note 2)	1

Note 1: Order the 9000 Series Hardware Repair Kit (78-8054-1818-9). This kit contains a complete set of hardware for the 9000 Series O.H.P. \*For Europe only, see Sections 16, 17, 18, and 19 for Parts Kits.

Note 2: The 9400 Korean version does not have a specific alpha designator.

Section 11.  
Lamp Housing - FNT Single Lamp

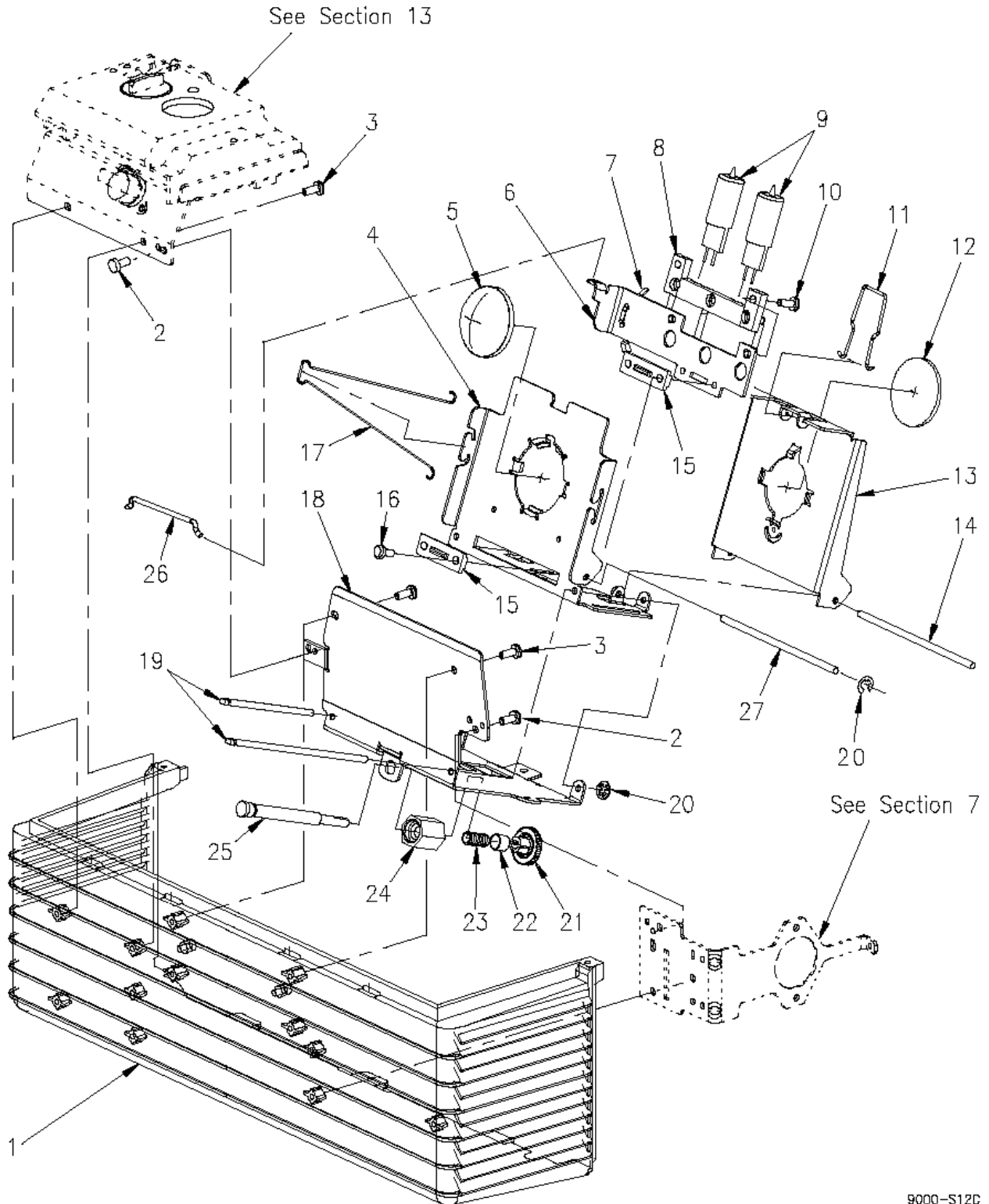


Section 11.  
Lamp Housing - FNT Single Lamp Parts List

Item No.	3M Part Number	Description	Qty.
0	Not Available	LAMP MODULE, FNT Singlet (230V) (Complete assembly)	1
1A	78-8079-8752-0	HOUSING, Lamp Module	1
1B	78-8095-8343-4	HOUSING, Lamp Module	1
2	(See Note 1)	SCREW, Taptite, M3.5 X 6	8
3	78-8079-9010-2	THERMOSTAT, Safety (FNT)	1
4	78-8073-2961-6	BRACKET, Lamp Change	1
5	(See Note 1)	SCREW, Plastite, 6-19 X 5/16	1
6	78-8079-8896-5	SPRING, Retaining, Reflector (EVD)	1
7	78-8079-8829-6	REFLECTOR, Metal (32mm)	1
8	78-8079-8841-1	LAMP SOCKET ASSEMBLY, Single	1
9	78-6969-9246-6	LAMP, FNT	1
10	78-8079-9053-2	SPRING, Catch	1
11	78-8073-3118-2	HOLDER, Reflector (FNT)	1
12	78-8012-7827-2	LENS, Condenser	1
13	78-8079-8834-6	BRACKET, Lens (Small Condenser)	1
14	78-8079-8930-2	ROD, Center	1
15	(See Note 1)	RING, Push-on, Truarc	2
16	78-8079-8814-8	MOUNT, Lamp Holder (FNT/EVD)	1
17	78-8079-8931-0	ROD, Slide	2

Note 1: Order the 9000 Series Hardware Repair Kit (78-8054-1818-9). This kit contains a complete set of hardware for the 9000 Series O.H.P. \*For Europe only, see Sections 16, 17, 18, and 19 for Parts Kits.

Section 12A.  
Lamp Housing - FNT Dual Lamp  
(Mfg. Code A3 and earlier)



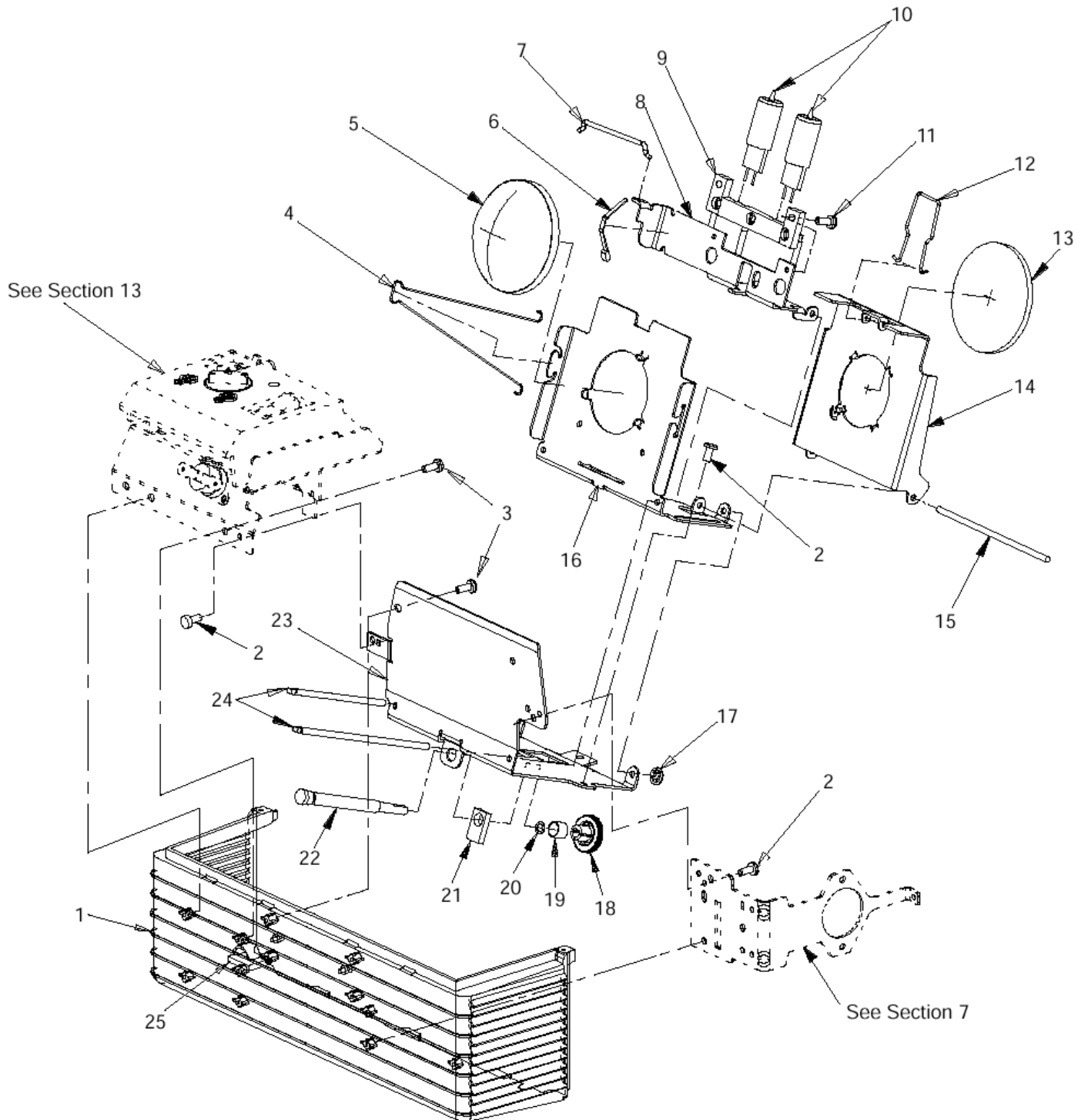
9000-S12D

Section 12A.  
Lamp Housing - FNT Dual Lamp  
(Mfg. Code A3 and earlier) Parts List

Item No.	3M Part Number	Description	Qty.
0	78-8079-9161-3	LAMP MODULE, FNT Lamp Changer (230V) (Complete assembly)	1
1	Not Available	HOUSING, Lamp Module	1
2	(See Note 1)	SCREW, Taptite, M3.5 X 6	2
3	(See Note 1)	SCREW, Plastite, 6-19 X 5/16	4
4	78-8079-8835-3	HOLDER, Reflector (FNT)	1
5	78-8079-8829-6	REFLECTOR, Metal (32mm)	1
6	Not Available	BRACKET, Dual Lamp (FNT)	1
7	78-8003-8335-4	WIRE, Tie - Panduit	1
8	Not Available	LAMP SOCKET ASSEMBLY, Dual	1
9	78-6969-9246-6	LAMP, FNT	1
10	(See Note 1)	SCREW, Taptite, M3 X 10	2
11	78-8079-9053-2	SPRING, Catch	1
12	78-8012-7827-2	LENS, Condenser	1
13	78-8079-8834-6	BRACKET, Lens (Small Condenser)	1
14	78-8079-8930-2	ROD, Center	1
15	78-8079-9008-6	SLIDE, Lamp Changer	1
16	(See Note 1)	SCREW, Taptite, M3.5 X 12	1
17	78-8079-8896-5	SPRING, Retaining, Reflector (EVD)	1
18	78-8079-8814-8	MOUNT, Lamp Holder (FNT/EVD)	1
19	78-8079-8931-0	ROD, Slide	2
20	(See Note 1)	RING, Push-on, Truarc	2
21	78-8079-8912-0	KNOB, Color Tuning	1
22	(See Note 1)	CLIP, Tinnerman	1
23	26-1008-5200-8	SPRING, Compression	1
24	78-8079-8866-8	SLEEVE, Color Tuning	1
25	78-8079-8928-6	SHAFT, Color Tuning (International)	1
26	78-8079-8988-0	ROD, Lamp Changer	1
27	78-8079-9097-9	ROD, Slide	1

Note 1: Order the 9000 Series Hardware Repair Kit (78-8054-1818-9). This kit contains a complete set of hardware for the 9000 Series O.H.P. \*For Europe only, see Sections 16, 17, 18, and 19 for Parts Kits.

Section 12B.  
Lamp Housing - FNT Dual Lamp  
(Mfg. Code A3 and later)





## Section 12B.

## Lamp Housing - FNT Dual Lamp (Mfg. Code A3 and later) Parts List

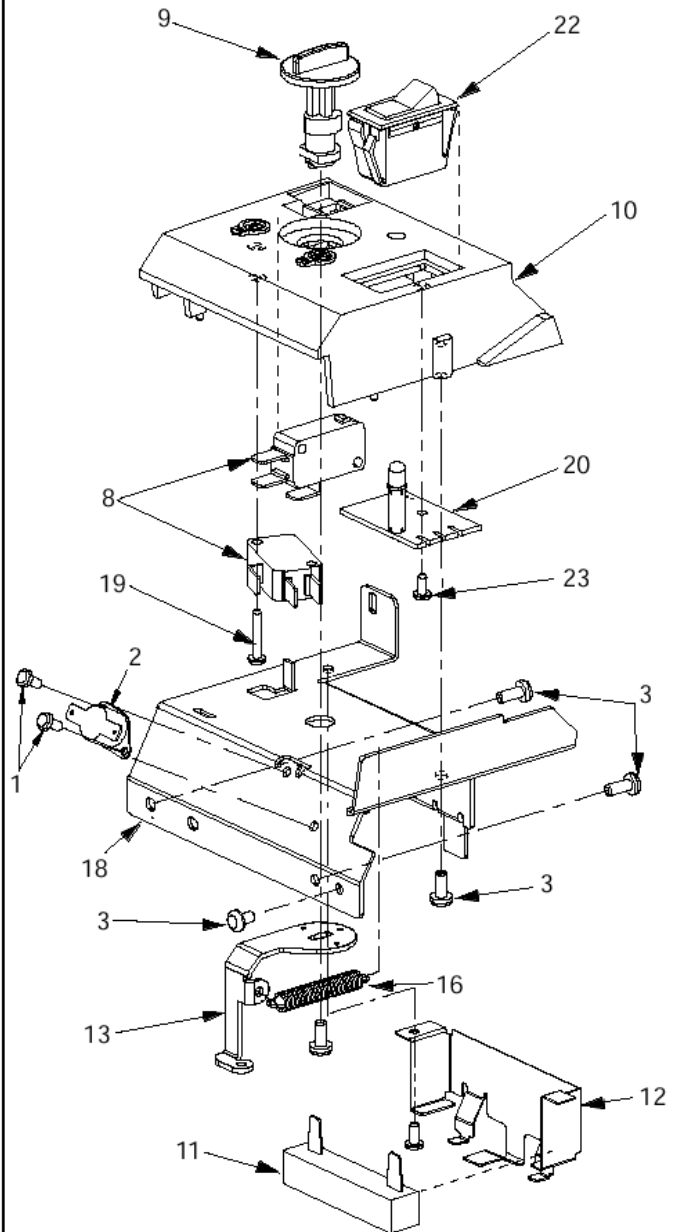
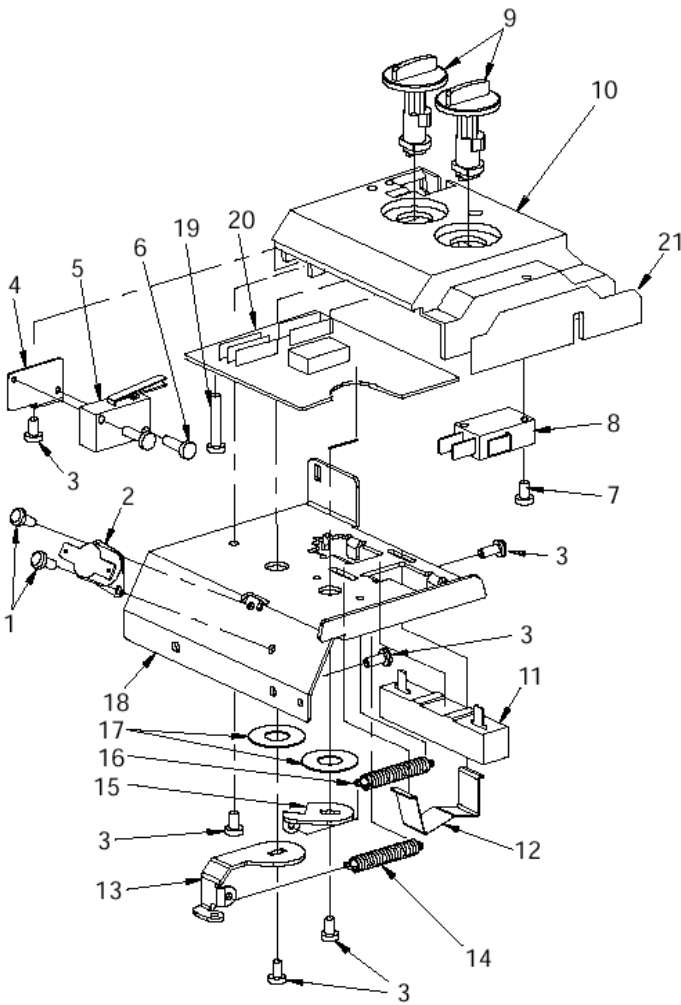
Item No.	3M Part Number	Description	Qty.
0	78-8079-9161-3	LAMP MODULE, FNT Lamp Changer (230V) (Complete)	1
1	78-8095-8343-4	HOUSING, Lamp Module	1
2	(See Note 1)	SCREW, Taptite, M3.5 X 6	3
3	(See Note 1)	SCREW, Plastite, 6-19 X 5/16	4
4	78-8079-8896-5	SPRING, Retaining, Reflector (EVD)	1
5A	78-8079-8829-6	REFLECTOR, Metal (32mm) (9050, 9080, 9100)	1
5B	78-8079-9202-5	REFLECTOR, Metal (60mm) (9200)	1
5C	78-8079-8899-9	REFLECTOR, 60mm (9550)	1
6	78-8003-8335-4	WIRE, Tie, Panduit	1
7	78-8079-8988-0	ROD, Lamp Changer	1
8	78-8079-9204-1	BRACKET, Dual Lamp (FNT)	1
9	78-8073-3015-0	SOCKET ASSEMBLY, Dual	1
10	78-6969-9246-6	LAMP, FNT	2
11	(See Note 1)	SCREW, Taptite, M3 X 10	2
12	78-8079-9053-2	SPRING, Catch	1
13A	78-8012-7827-2	LENS, Condenser	1
13B	78-8079-9025-0	LENS, Condenser (60mm)	1
14A	78-8079-8834-6	BRACKET, Lens (Small Condenser)	1
14B	78-8079-8836-1	BRACKET, Lens (Large Condenser)	1
15	78-8079-8930-2	ROD, Center	1
16A	78-8073-3118-2	HOLDER, Reflector (FNT)	1
16B	78-8054-1763-7	HOLDER, Reflector (EVD) (9550)	1
17	(See Note 1)	RING, Push-on, Truarc	1
18	78-8079-8912-0	KNOB, Color Tuning	1
19	(See Note 1)	CLIP, Speed, Knob to Shaft	1
20	(See Note 1)	WASHER, Spring	1
21	78-8073-3117-4	NUT	1
22	78-8079-8928-6	SHAFT, Color Tune, International	1
23	78-8079-8814-8	MOUNT, Lamp Holder (FNT/EVD)	1
24	78-8079-8931-0	ROD, Slide	2
25	(See Note 1)	CLIP, Clamp, 0.310 Max (9050 ABAJ, 9080 ABDJ, 9100 ABBJ, 9200 ABCJ, 9550 ABHJ)	1

Note 1: Order the 9000 Series Hardware Repair Kit (78-8054-1818-9). This kit contains a complete set of hardware for the 9000 Series O.H.P. \*For Europe only, see Sections 16, 17, 18, and 19 for Parts Kits.

Section 13.  
Lamp Changer & Hi/Lo Lamp Control Module  
(Dual Lamp Versions)

Used on 9000 Series serial no. 842643 and earlier.  
Used on 9550 serial no. 823581 and earlier.

Used on 9000 Series serial no. 842644 and up.  
Used on 9550 serial no. 823582 and up.  
Used on all 9400 European models.



Section 13.  
Lamp Changer & Hi/Lo Lamp Control Module  
(Dual Lamp Versions) Parts List

Item No.	3M Part Number	Description	Qty.
0A	78-8079-9147-2	LAMP CHANGER and Hi/Lo Control Module, ENX (Complete Assembly) (Used on 9000 Series serial no. 842643 and earlier)	1
0B	78-8079-9149-8	LAMP CHANGER and Hi/Lo Control Module, EVD (Complete assembly) (Used on 9000 Series serial no. 842643 and earlier) (Used on 9550 serial number 823581 and earlier)	1
0C	78-8079-9148-0	LAMP CHANGER and Hi/Lo Control Module, FNT (Complete assembly) (Used on 9000 Series serial no. 842643 and earlier)	1
1	(See Note 1)	SCREW, Taptite, M3.5 X 6	3
2A	78-8079-8933-6	THERMOSTAT (9080/ENX, 9100/ENX, 9200/ENX, 9400, 9550)	1
2B	78-8079-9010-2	THERMOSTAT, Safety (9050/FNT, 9080/FNT, 9100/FNT, 9200/FNT)	1
3	(See Note 1)	SCREW, Plastite, 6-19 X 5/16	1
4	78-8079-8886-6	ADAPTER, Switch, Interlock	1
5	Not Available	SWITCH, Micro	1
6	(See Note 1)	SCREW, Taptite, M3 X 12	2
7	(See Note 1)	SCREW, Type BT, 4-24 X 5/8	2
8	78-8079-8855-1	SWITCH, Lampchanger/Hi/Lo, Dimmer	2
9A	78-8079-8880-9	KNOB, Lamp Changer/Hi/Lo Lamp (Some 9080 versions, Qty. 1) (Used on 9000 series serial no. 842643 and earlier) (Used on 9550 serial number 823581 and earlier)	2
9B	78-8073-2962-4	KNOB, Lamp Changer (Used on 9000 Series serial no. 842644 and up) (Used on 9550 serial no. 823582 and up) (9400 - all versions)	1
10A	78-8079-8879-1	HOUSING, Control, 2 Hole (9100, 9200) (Used on 9000 Series serial no. 842643 and earlier) (Used on 9550 serial number 823581 and earlier)	1
10B	78-8079-8965-8	HOUSING, Control, 1 Hole (9080 Brazil kit)	1
10C	78-8073-2954-1	HOUSING, Lamp Changer (Used on 9550 serial no. 823582 and up) (9400 - all versions)	1
11A	78-8073-7127-9	RESISTOR, 1.2 Ohm (9080, 9100, 9200 ENX versions)	1
11B	78-8079-9196-9	RESISTOR, .11 Ohm (9080 AADT, AHDG, 9100 AABT and 9200 AACT)	1
12A	78-8073-2987-1	COVER, Resistor, 20W, FXL	1

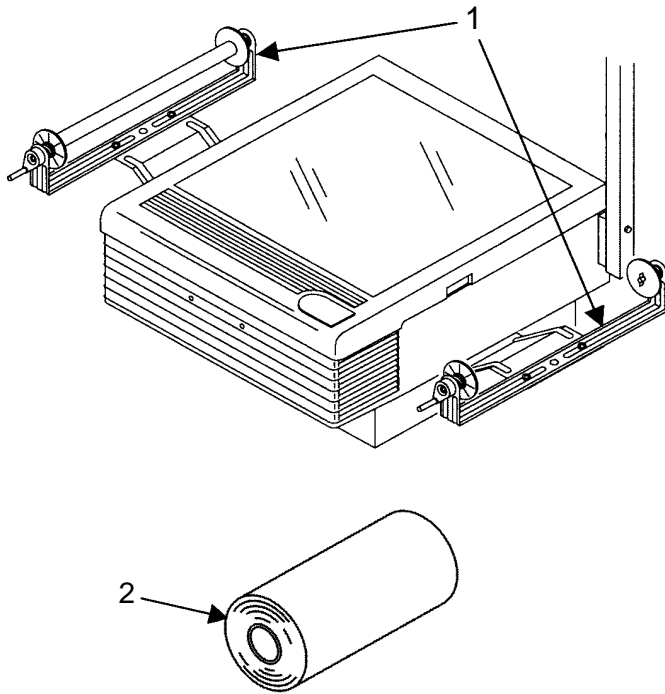
Section 13.  
Lamp Changer & Hi/Lo Lamp Control Module  
(Dual Lamp Versions) Parts List

Item No.	3M Part Number	Description	Qty.
12B	78-8073-3012-7	COVER, Resistor, 20W, ENX	1
13A	78-8079-8881-7	LEVER, Lamp Changer, ENX/FXL	1
13B	78-8079-8987-2	LEVER, Lamp Changer, EVD/FNT	1
14	Not Available	SPRING (Used on 9000 Series serial no. 842643 and earlier)	1
15	78-8079-8882-5	LEVER, Switch, Lamp Hi/Lo, Intensity	1
16	12-7995-0850-7	SPRING	1
17	(See Note 1)	WASHER, Lamp Changer (9080, Qty 1)	2
18A	78-8079-8885-8	BRACKET, Lamp Changer (Used on 9000 Series serial no. 842643 and earlier) (Used on 9550 serial number 823581 and earlier)	1
18B	78-8073-2961-6	BRACKET, Lamp Changer (Used on 9000 Series serial no. 842644 and up) (Used on 9550 serial no. 823582 and up) (9400 - all versions)	1
19	(See Note 1)	SCREW, Taptite, 4-24 X 3/4	2
20A	78-8079-8889-0	PCB ASSEMBLY, Lamp Changer (Used on 9550 serial number 823581 and earlier) (Not used on 9400)	1
20B	78-8073-3105-9	PCB ASSEMBLY, Lamp Changer (Used on 9550 serial no. 823582 and up) (Not used on 9400)	1
21	78-8095-8339-2	TAPE, Heat Shield, EVD	1
22A	78-8073-2969-9	SWITCH, Hi/Low (9080 AADT, AHDG, 9085 U.S., plus AAWB, 9100 Articulate Doublet Head, 9200 Open Triplet Head)	1
22B	78-8073-2970-7	SWITCH, Hi/Low, EVD (9400 AHRG, AHRS, AHRU, AHRZ, 9550)	1
23	(See Note 1)	SCREW, Plastite, 4-20 X 3/8 BZN	1

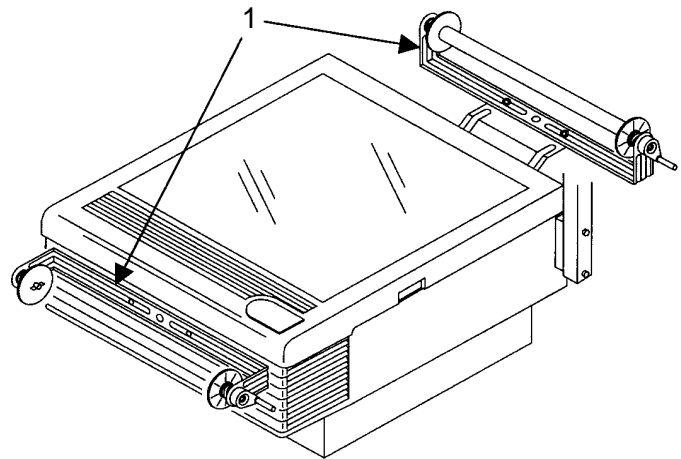
Note 1: Order the 9000 Series Hardware Repair Kit (78-8054-1818-9). This kit contains a complete set of hardware for the 9000 Series O.H.P. \*For Europe only, see Sections 16, 17, 18, and 19 for Parts Kits.

Section 14.  
Roll Film Kit

Side-to-Side Installation



Front-to-Rear Installation

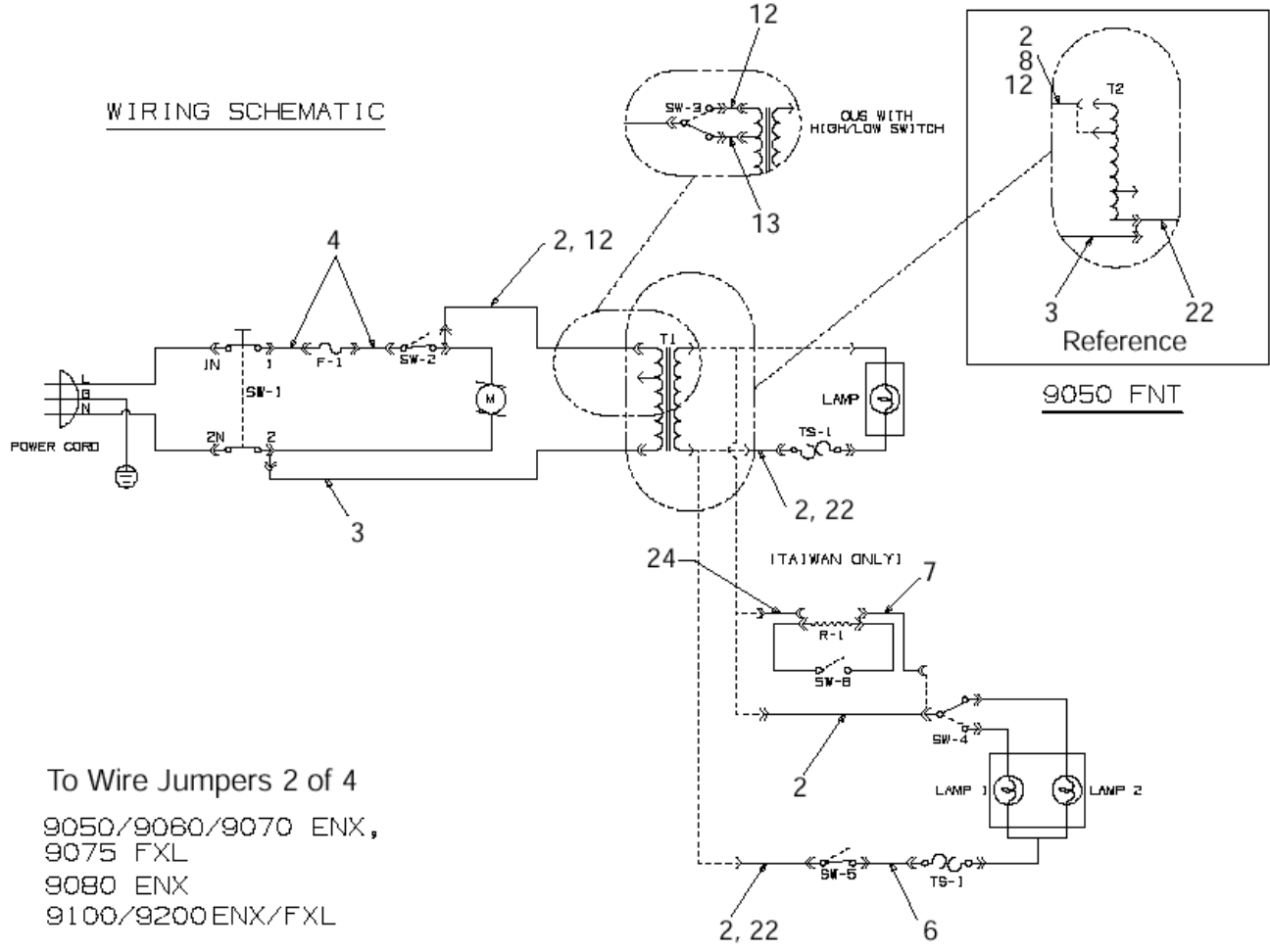


Section 14.  
Roll Film Kit Parts List

Item No.	3M Part Number	Description	Qty.
1A	78-6969-9586-5	KIT, Roll Film, 10-1/4 in. (260.4mm) (Complete assembly)	1
1B	78-6969-7455-5	KIT, Roll Film, 11-1/4 in. (285.7mm) (Complete assembly)	1
2A	78-9020-1282-8	FILM, Roll, 10-1/4 in. (260.4mm)	1
2B	78-6969-1751-3	FILM, Roll, 11-1/4 in. (285.7mm)	1

Section 15.  
Wire Jumpers (1 of 4)

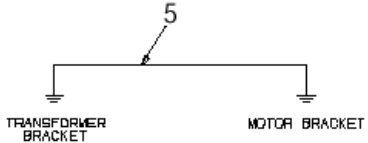
9080/9100/9200 FNT



To Wire Jumpers 2 of 4  
9050/9060/9070 ENX,  
9075 FXL  
9080 ENX  
9100/9200 ENX/FXL

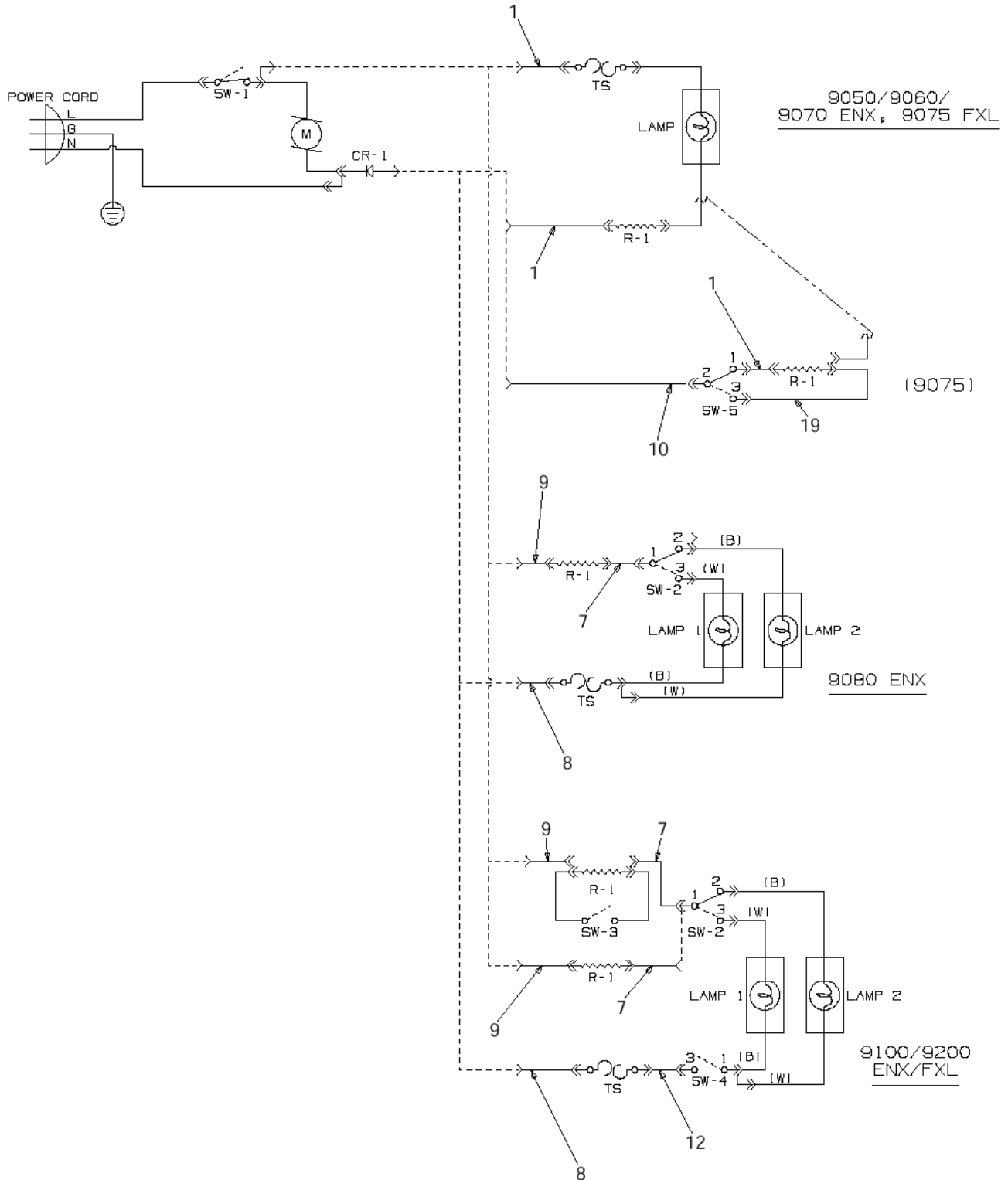
To Wire Jumpers 3 of 4  
9550

To Wire Jumpers 4 of 4  
9050 DUAL VOLTAGE FNT  
9080/9100/9200  
DUAL VOLTAGE FNT  
9080 DUAL VOLTAGE ENX



Section 15.  
Wire Jumpers (2 of 4)

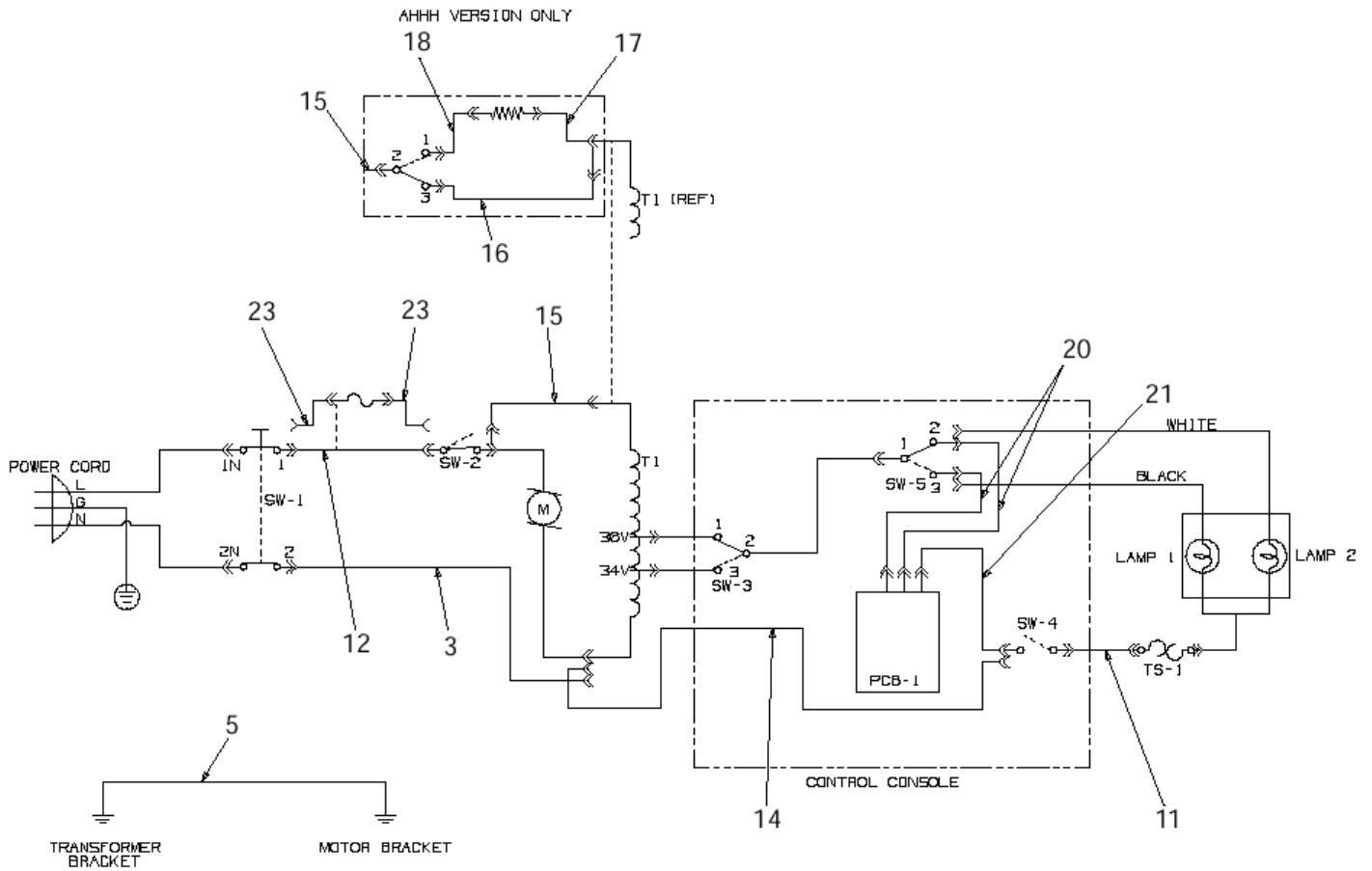
WIRING SCHEMATIC



Section 15.  
Wire Jumpers (3 of 4)

9400/9550 WIRING SCHEMATIC

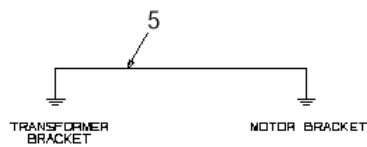
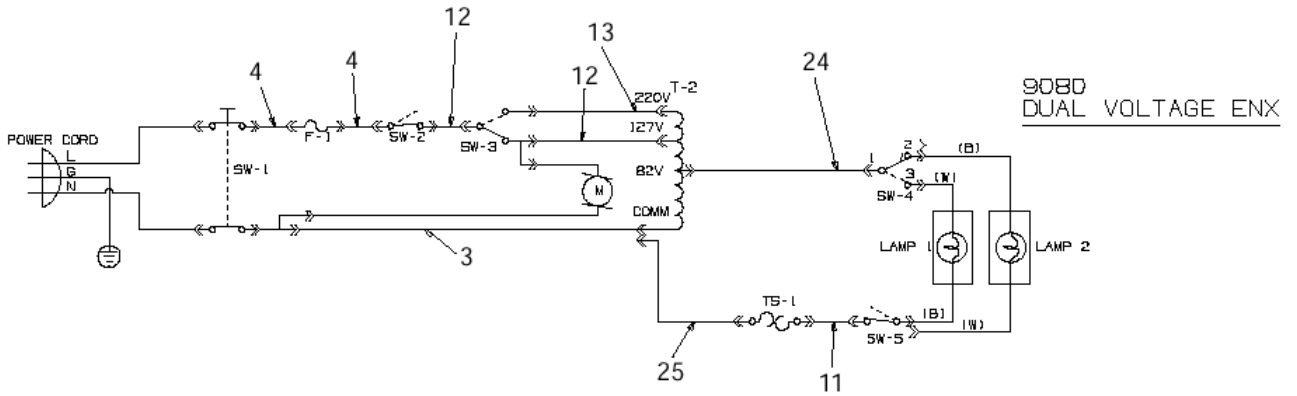
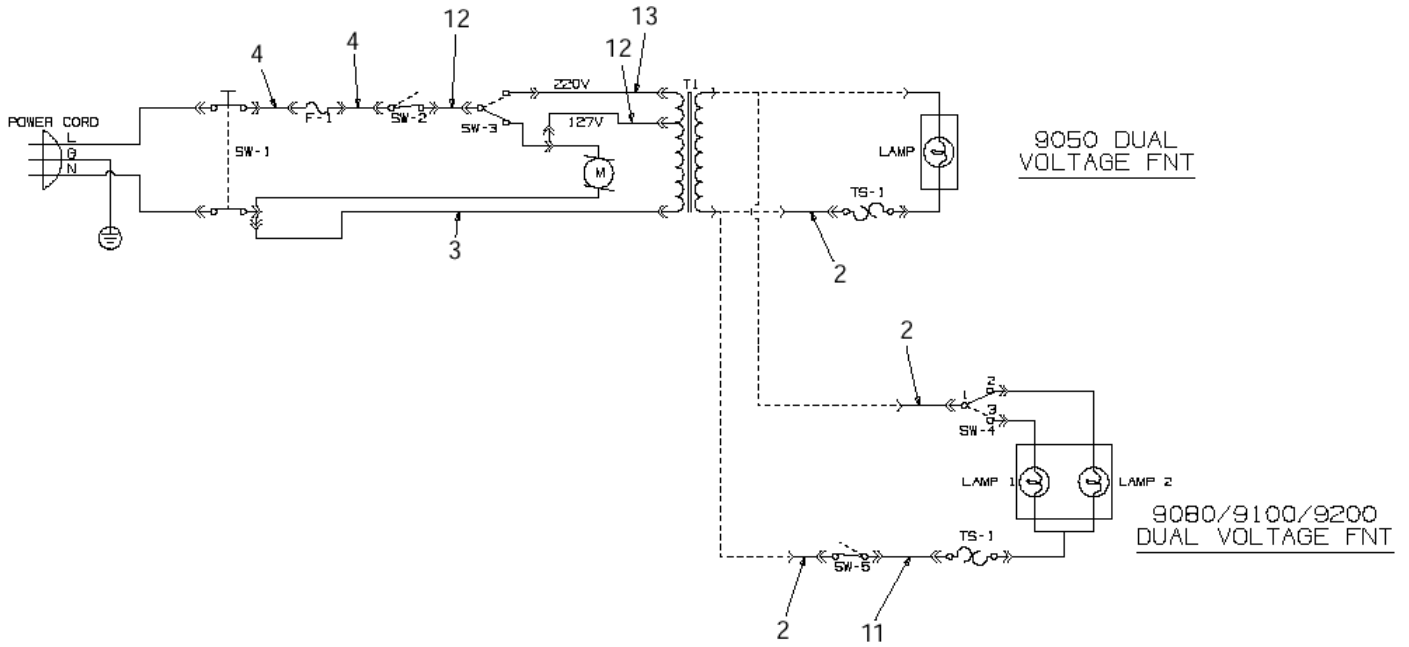
(9400 EUROPE WITHOUT LAMP CHANGER PCB)





Section 15.  
Wire Jumpers (4 of 4)

WIRING SCHEMATIC (DUAL VOLTAGE)



Section 15.  
Wire Jumpers Parts List

Item No.	3M Part Number	Description	Qty.
1	78-8079-8913-8	JUMPER, Diode to Resistor and Micro Switch to Thermostat	2
2	78-8079-8971-6	JUMPER, 22"	2
3	78-8079-8972-4	JUMPER, 17" (Blue)	1
4	78-8079-8973-2	JUMPER, Switch to Fuse	2
5	78-8064-1792-5	JUMPER, Ground (Green/Yellow) (Not used on Japan machines)	1
6	78-8073-3297-4	JUMPER, 3.5" (Brown)	1
7	78-8073-3102-6	JUMPER, Resistor, 5.5" (Quantity 1 on some versions)	2
8	78-8073-3018-4	JUMPER, 8.75"	1
9	78-8073-3019-2	JUMPER, 12"	1
10	78-8079-8992-2	JUMPER, 9.75" (9075 AJG only)	1
11	78-8073-3297-4	JUMPER, 3.5" (Brown)	1
12	78-8079-9005-2	JUMPER, 12.5" (Black)	1
13	78-8079-9006-0	JUMPER, 12.5" (White)	1
14	78-8073-3014-3	JUMPER, 26" (Yellow)	1
15	78-8079-9180-3	JUMPER, 21" (Brown)	1
16	78-8097-3545-5	JUMPER, 7" (Blue)	1
17	78-8065-8479-9	WIRE, Lead, Diode	1
18	78-8065-8268-6	LEAD ASSEMBLY, Fuse, Kill Switch	1
19	78-8073-3103-4	JUMPER, 7" (9075 AJG only)	1
20	78-8073-3013-5	JUMPER, PCB Switch	2
21	78-8073-2973-1	JUMPER, PCB Switch, 5"	1
22	78-8097-3548-9	JUMPER, 25" (White)	1
23	78-8079-8973-2	JUMPER, 10", Switch/Fuse (Black)	1
24	78-8095-8299-8	JUMPER, Power Switch to Power Supply (9080 ABDB)	1
25	78-8097-3550-5	JUMPER, 23" (Black)	1

Section 16. Small Electrical Parts Kit (No Picture)  
(Europe only)

Item No.	3M Part Number	Description	Qty.
0	DY-0210-2716-3	Small Electrical Parts Kit	1
<b>Kit Includes:</b>			
1	---	Circuit Breaker, 10A	1
2	---	Fuse, 5 Amp, 5x20mm, Slow Acting	4
3	---	Fuse, 4 Amp, 5x20mm, Time Lag	4
4	---	Circuit Breaker, 5A	1
5	---	Receptacle, Schurter	1
6	---	Fuse, 16A, 250V	2
7	---	Switch, Hi/Low, EVD	1
8	---	Switch, Interlock, Version 2	1
9	---	Cover, Interlock Switch	1
10	---	Cover, Interlock Switch, 9700	1
11	---	Thermostat, Let run, 9850	1
12	---	Switch, Hi/Low	1
13	---	Switch, Hi/Lo	1
14	---	Thermostat, (190°F/88° C)	1
15	---	Thermostat, Safety (FNT 165°F/74°C)	1
16	---	Switch, Interlock	1
17	---	Thermostat, 9700 OHP (210°F/98°C)	1
18	---	Switch, Hi/Low	1
19	---	Fuseholder	1
20	---	Fuse, T8A	2
21	---	Fuseholder	1
22	---	Switch, Lamp Changer/Dimmer	1
23	---	Switch, On/Off	1
24	---	Fan	1
25	---	Blade, Fan	1

Section 17. Small Mechanical Parts Kit (No Picture)  
(Europe only)

Item No.	3M Part Number	Description	Qty.
0	DY-0210-2718-9	Small Mechanical Parts Kit	1
<b>Kit Includes:</b>			
1	---	Nut	1
2	---	Rod, Color Tuning (MH)	1
3	---	Rod, Gear Track (MH)	1
4	---	Gear, Focus	1
5	---	Bar, Pressure	1
6	---	Plate, Washer	2
7	---	Bracket, Backup	1
8	---	Retainer, Fresnel, Single Element	2
9	---	Retainer, Fresnel, Dual Element	2
10	---	Bracket, Pivot	1
11	---	Mount, Post, Pivot	1
12	---	Shaft, Color Tune, Intl.	1
13	---	Plate, Standoff	2
14	---	Rod, Lamp Changer	1
15	---	Rod, Lamp Changer, Secondary	1
16	---	Bracket, Dual Lamp (EVD)	1
17	---	Bracket, Dual Lamp (FNT)	1
18	---	Stop, Leg	1
19	---	Shield, Heat, Corner	1
20	---	Actuator, Interlock	1
21	---	Brace, Post	2
22	---	Wrench	1
23	---	Lever, Lamp Changer	1
24	---	Lever, Lamp Changer	1
25	---	Gear, Track	1
26	---	Gear, Color Tuning	1
27	---	Rod, Color Tuning	1
28	---	Spacer, Reflector	1
29	---	Spacer, Condenser	1
30	---	Clamp, Fixed Arm	1
31	---	Shield, Winding	1
32	---	Rod, Center	1
33	---	Rod, Slide	1

Section 18. Small Plastic Parts Kit (No Picture)  
(Europe only)

Item No.	3M Part Number	Description	Qty.
0	DY-0210-2717-1	Small Plastic Parts Kit	1
<b>Kit Includes:</b>			
1	---	Bushing, 0.375 dia.	2
2	---	Bushing, 0.75 dia.	2
3	---	Clip/Clamp, 0.310 dia.	1
4	---	Foot	4
5	---	Fastener, Push-In, 0.133 Max Chassis	2
6	---	Spacer, PCB, Nylon, 1/2 inch Spac.	2
7	---	Fastener, Panel	2
8	---	Bushing, 0.50 dia.	2
9	---	Plug, Dome	2
10	---	Clip/Clamp, 1/2 inch dia.	2
11	---	Pad, Wear	2
12	---	Cap, 4-6-8 Screw Size	2
13	---	Housing, Mirror, Black	1
14	---	Actuator, Switch Button	1
15	---	Knob, Focus	2
16	---	Tubing, Lens	3
17	---	Retainer, Knob	1
18	---	Housing, Lamp Changer	1
19	---	Door, Lamp Changer	1
20	---	Door, lamp Changer, LED	1
21	---	Knob, Lamp Changer	1
22	---	Foot, Base, 9700	2
23	---	Clamp, Friction	1
24	---	Rack, Focus	1
25	---	Button, Power Switch (Red)	1
26	---	Latch, Top Cover	1
27	---	Plate, Cord, Small (Gray)	1
28	---	Block, Post	1
29	---	Pivot, Cover	4
30	---	Latch, Folding Post	1
31	---	Cradle, Post	1

Section 18. Small Plastic Parts Kit (Continued)  
(Europe only)

Item No.	3M Part Number	Description	Qty.
32	---	Knob, Color Tuning	1
33	---	Button, Switch (Plum)	2
34	---	Foot, Support, Side	2
35	---	Insulator, Hi/Lo Switch	2
36	---	Cap, End	2
37	---	Strap, Handle	1
38	---	Plate, Base, Head	1
39	---	Handle	1
40	---	Foot, Isolation	2
41	---	Foot, Side	2
42	---	Handle Retainer	1
43	---	Pivot, Post, Magnifier	1
44	---	Insulator, Switch, 9700	2
45	---	Plug, Head	1
46	---	Bezel, Outlet	1
47	---	Door, Lamp Changer	1
48	---	Shield, Exhaust	1
49	---	Knob, Color Tuning	1
50	---	Bushing	2
51	---	Knob, Magnifier	1
52	---	Pad, Wear	2
53	---	Cap, Focus Arm, 9000	1
54	---	Tie Wrap, T 18 R	2
55	---	Strain Relief	2
56	---	Insulator, 6.3	2
57	---	Grommet, Rubber, 0.5 lg = 50mm Schwarz	2

Section 19. Kit Fasteners 9000 Series (No Picture)  
(Europe only)

Item No.	3M Part Number	Description	Qty.
0	DY-0210-2715-5	Kit Fasteners 9000 Series	1
<b>Kit Includes:</b>			
1	---	Washer, Plain, Zinc	2
2	---	Washer, Plain	2
3	---	Spring, Extension	2
4	---	Screw, Plastite, 6-19x3/8, Zinc	6
5	---	Washer, Nylon	2
6	---	Screw, Machine, M3x8, Bzn	4
7	---	Screw, Plastite, Bzn (4-20x3/8, 6-19x1/2, and 8-16x3/8)	4 each
10	---	Screw, Taptite, Bzn (8-32x3/8 and 10-32x3/8)	4 each
12	---	Nut, Keps, 10-32, Zinc	1
13	---	Screw, Plastite, 6-19x1, Zinc	1
14	---	Nut, M3x0.5	1
15	---	Washer, Nylon	4
16	---	Screw, Taptite, M4x6, Bzn	4
17	---	Screw, Taptite, M3x6, Zinc	4
18	---	Screw, Machine, 6-32x3/8	4
19	---	Ring, Retaining	4
20	---	Nut, Hex, 1/4-20, Nylon insert, Zinc	4
21	---	Screw, Plastite, 6-19x3/8, Bzn	4
22	---	Screw, Taptite, M3.5x6 Torx	4
23	---	Clip, Speed, Knob to Shaft	4
24	---	Washer	4
25	---	Screw, Taptite, M4x16	1
26	---	Screw, Taptite	4
27	---	Spring, Compression	2
28	---	Washer, Spring	2
29	---	Washer, Plain	2
30	---	Screw, Taptite, M4x8, Bzn	4
31	---	Ring, Retaining	2
32	---	Nut, Keps	2
33	---	Screw, Taptite, M3.5x0.6x8	4

Section 19. Kit Fasteners 9000 Series (Continued)  
(Europe only)

Item No.	3M Part Number	Description	Qty.
34	---	Clip, U-Type	2
35	---	Screw, Taptite, 4/40x3	4
36	---	Screw, Taptite, M4x10, Blk	4
37	---	Screw, Plastite, 8-11x5/8 Lg,	4
38	---	Screw, Plastite, Hex Head Washer HD	2
39	---	Washer, Wave	4
40	---	Nut, U-Type	4
41	---	Washer, Caplug, Metal	4
42	---	Screw, Foot	4
43	---	Screw, Shoulder	4
44	---	Bolt, Post	4
45	---	Bolt, Pivot	2
46	---	Spring, Retaining, Reflector (EVD)	5
47	---	Spring, Catch	4
48	---	Screw, End Cap	4
49	---	Spring, Torsion, Leg	4
50	---	Screw, Retainer	4
51	---	Screw, Shoulder, 9000/1700	4
52	---	Ring, Push-On	1
53	---	Spring, Lee	2 each
54	---	Screw, M4x16, Z 7	1
55	---	Screw, Tap (Bz 2.9x6.5 and B 3.9x9.5)	1 each
57	---	Screw, 5.5x16	1
58	---	Screw, Varifocal Lens.	4
59	---	Screw, Lens (M3x16, M4x6, and M4x8)	4 each
60	---	Screw, Taptite, M3x8	2
61	---	Screw, Taptite, M3.5x8	8
62	---	Screw, Lens, M3x10	1
63	---	Screw, Taptite, M3x12	4
64	---	Screw, Taptite, M3.5x6	6
65	---	Screw, Lens, art., 3x16	4
66	---	Screw, Plastite (3.5x8 and 4.2x12)	4 each



Section 19. Kit Fasteners 9000 Series (Continued)  
(Europe only)

Item No.	3M Part Number	Description	Qty.
67	---	Screw, Plastite, 3.5x25, Torx	4
68	---	Screw, Taptite, M4x25	1
69	---	Screw, Lower, art.	1
70	---	Nut, Hex, M3	1
71	---	Nut, M4	1
72	---	Washer	1
73	---	Washer, Lock	4
74	---	E-Ring	1
75	---	Ring, Retaining	1
76	---	Tie Wrap T 18 R	2
77	---	Strain Relief	2
78	---	Glider	2
79	---	Spring, Compression	2
80	---	Screw, Post, Latch, Spring	4

**Appendix A  
SPECIFICATIONS**

Model Description	Country	Power Cord	Model Alpha	Stock Number	Voltage/Hz	Agency	Stage Size	Head Type	Lamp Changer	Color Tuning	Post Type	Lamp Type	Handle	Lamp Control	Lamps Installed	Fresnel	Power	Fuse	Amps	Cord Storage
9000 Overhead Projector	Australia	Australian	9050 AHAA	78-9236-5681-9	230/50	SAA	A4	Open Singlet	No	Internal	Fixed	FNT	No		1	9000 Single Element Glare Free	Transformer		1.7	
9000 Overhead Projector	Australia	Australian	9080 AHDA	78-9236-5667-8	240/50	SAA	A4	Open Singlet	Yes	External	Folding	FNT	No		1	9000 Single Element Glare Free	Transformer		1.7	
9000 Overhead Projector	Australia	Australian	9100 AHBA	78-9236-5655-3	240/50	SAA	A4	Art Doublet	Yes	External	Folding	FNT	No		1	2100 Dual Element Glare Free	Transformer		1.7	
9000 Overhead Projector	Australia	Australian	9200 AHCA	78-9236-5643-9	240/50	SAA	A4	Open Triplet	Yes	External	Folding	FNT	Yes	Other	2	2100 Dual Element Glare Free	Transformer		1.7	
9000 Overhead Projector	Australia	Australian	9550 AHHA	78-9236-5634-8	240/50	SAA	A4	Varifocal	Yes	Internal	Folding	EVD	Yes	Dimmer Switch	2	9550 Dual Element Clear	Transformer		2.5	
9000 Overhead Projector	Brazil	United States	9080 AADB	78-9236-5668-6	127/50/60		10.5	Open Singlet	Yes	External	Folding	ENX	No	Resistor	1	9000 Single Element Glare Free	Diode		3	
9000 Overhead Projector	Brazil	United States 15'	9550 AAHB	78-9236-6180-1	127/60	None	A4	Varifocal	Yes	Internal	Folding	EVD	Yes	Dimmer Switch	2	9550 Dual Element Clear	Transformer	5A	4.5	Yes
9000 Overhead Projector	Chile	Italian	9100 AHBC	78-9236-5830-2	230/50		A4	Art Doublet	Yes	External	Folding	FNT	No	Dimmer Switch	2	2100 Dual Element Glare Free	Transformer		1.7	Yes
9000 Overhead Projector	Chile	Italian	9200 AHCC	78-9236-5828-6	230/50		A4	Open Triplet	Yes	External	Folding	FNT	Yes		2	2100 Dual Element Glare Free	Transformer	T4A	1.7	Yes
9000 Overhead Projector	Chile	Italian	9550 AHHC	78-9236-5829-4	230/50		A4	Varifocal	Yes	Internal	Folding	EVD	Yes	Dimmer Switch	2	9550 Dual Element Clear	Transformer	T4A	2.5	Yes
9000 Overhead Projector	Europe Std.	European	9050 ABAS	78-9236-5684-3	127/220/50		A4	Open Singlet	No	Internal	Fixed	FNT	No		1	9000 Single Element Glare Free	Transformer		3	
9000 Overhead Projector	Europe Std.	European	9050 AHAS	78-9236-5682-7	230/50	European	A4	Open Singlet	No	Internal	Fixed	FNT	No	Voltage Switch	1	9000 Single Element Glare Free	Transformer		1.7	
9000 Overhead Projector	Europe Std.	European	9080 ABDS	78-9236-5721-3	127/220/50		A4	Open Singlet	Yes	External	Folding	FNT	No	Voltage Switch	1	9000 Single Element Glare Free	Transformer		3	Yes
9000 Overhead Projector	Europe Std.	European	9080 AHDS	78-9236-5669-4	230/50	European	A4	Open Singlet	Yes	External	Folding	FNT	No		2	9000 Single Element Glare Free	Transformer		1.7	
9000 Overhead Projector	Europe Std.	European	9080 AHTS	78-9236-5870-8	230/50	European	A4	Open Singlet	Yes	External	Folding	FNT	No	Voltage Switch	2	9000 Single Element Glare Free	Transformer	T4A	1.7	Yes
9000 Overhead Projector	Europe Std.	European	9100 ABBS	78-9236-5722-1	127/220/50		A4	Art Doublet	Yes	External	Folding	FNT	No	Voltage Switch	1	2100 Dual Element Glare Free	Transformer		3	Yes
9000 Overhead Projector	Europe Std.	European	9100 AHBS	78-9236-5656-1	230/50	European	A4	Art Doublet	Yes	External	Folding	FNT	No	Voltage Switch	2	2100 Dual Element Glare Free	Transformer		1.7	
9000 Overhead Projector	Europe Std.	European	9200 ABCS	78-9236-5723-9	127/220/50		A4	Open Triplet	Yes	External	Folding	FNT	Yes	Voltage Switch	2	2100 Dual Element Glare Free	Transformer		3	Yes
9000 Overhead Projector	Europe Std.	European	9200 AHCS	78-9236-5644-7	230/50	European	A4	Open Triplet	Yes	External	Folding	FNT	Yes	Voltage Switch	2	2100 Dual Element Glare Free	Transformer		1.7	
9000 Overhead Projector	Europe Std.	European	9200 AHMS	78-9236-5873-2	230/50	European	A4	Open Triplet	Yes	External	Folding	FNT	Yes	Voltage Switch	2	2100 Dual Element Glare Free	Transformer	T4A	1.7	Yes

3M™ Overhead Projector 9000 Series

Specifications

Model Description	Country	Power Cord	Model Alpha	Stock Number	Voltage/Hz	Agency	Stage Size	Head Type	Lamp Changer	Color Tuning	Post Type	Lamp Type	Handle	Lamp Control	Lamps Installed	Fresnel	Power	Fuse	Amps	Cord Storage
9000 Overhead Projector	Europe Std.	European	9550 AHHS	78-9236-5635-5	230/50	European	10.5	Varifocal	Yes	Internal	Folding	EVD	Yes	Dimmer Switch	2	9550 Dual Element Glare Free	Transformer	T4A	2.5	
9000 Overhead Projector	Europe Std.	European	9550 AHSS	78-9236-5876-5	230/50	European	A4	Varifocal	Yes	Internal	Folding	EVD	Yes	Dimmer Switch	2	9550 Dual Element Glare Free	Transformer		1.7	Yes
9000 Overhead Projector	Hong Kong	United Kingdom	9050 AHAH	78-9236-5683-5	220/50		A4	Open Singlet	No	Internal	Fixed	FNT	No		1	9000 Single Element Glare Free	Transformer		1.7	
9000 Overhead Projector	Hong Kong	United Kingdom	9080 AHDH	78-9236-5670-2	220/50		A4	Open Singlet	Yes	External	Folding	FNT	No		1	9000 Single Element Glare Free	Transformer		1.7	
9000 Overhead Projector	Hong Kong	United Kingdom	9100 AHBH	78-9236-5657-9	220/50		A4	Art Doublet	Yes	External	Folding	FNT	No		1	2100 Dual Element Glare Free	Transformer		1.7	
9000 Overhead Projector	Hong Kong	United Kingdom	9200 AHCH	78-9236-5645-4	220/50		A4	Open Triplet	Yes	External	Folding	FNT	Yes		2	2100 Dual Element Glare Free	Transformer		1.7	
9000 Overhead Projector	Hong Kong	United Kingdom	9550 AHHH	78-9236-5636-3	220/50		A4	Varifocal	Yes	Internal	Folding	EVD	Yes	Dimmer Switch	2	9550 Dual Element Clear	Transformer		2.5	
9000 Overhead Projector	Europe Std.	European	9400 AHRS	78-9236-6272-6	230/50		A4	Open Triplet	Yes	External	Fixed	EVD	No	Dimmer Switch	2	9400 Dual Element Glare Free	Transformer	T5A	2.5	No
9000 Overhead Projector	India	Other	9080 AHDG	78-9236-5962-3	230/50		A4	Open Singlet	Yes	External	Folding	FNT	No		1	9000 Single Element Glare Free	Transformer	T4A	1.7	Yes
9000 Overhead Projector	Japan	Japan	9050 ABAJ	78-9236-5685-0	100/50/60	MITI	A4	Open Singlet	No	Internal	Fixed	FNT	No		1	9000 Single Element Glare Free	Transformer			
9000 Overhead Projector	Japan	Japan	9080 ABDJ	78-9236-5671-0	100/50/60	MITI	A4	Open Singlet	Yes	External	Folding	FNT	No		1	9000 Single Element Glare Free	Transformer			
9000 Overhead Projector	Japan	Other—Two Blade 15"	9080 ABDB	78-9236-6165-2	120/220/60	None	10.5	Open Singlet	Yes	External	Folding	ENX	No	Voltage Switch	1	9000 Single Element Glare Free	Transformer	5A	4.5	No
9000 Overhead Projector	Japan	Japan	9100 ABBJ	78-9236-5658-7	100/50/60	MITI	A4	Art Doublet	Yes	External	Folding	FNT	No		1	2100 Dual Element Glare Free	Transformer			
9000 Overhead Projector	Japan	Japan	9200 ABCJ	78-9236-5646-2	100/50/60	MITI	A4	Open Triplet	Yes	External	Folding	FNT	Yes		2	2100 Dual Element Glare Free	Transformer			
9000 Overhead Projector	Japan	Japan	9550 ABHJ	78-9236-5705-6	100/50/60	MITI	A4	Varifocal	Yes	Internal	Folding	EVD	Yes	Dimmer Switch	2	9550 Dual Element Glare Free	Transformer			Yes
9000 Overhead Projector	Korea	European	9550 AHHK	78-9236-5810-4	220/60		A4	Varifocal	Yes	Internal	Folding	EVD	Yes	Dimmer Switch	2	9550 Dual Element Clear	Transformer	T5A	2.5	Yes
9000 Overhead Projector	Mexico	United States 10"	9050 AAAM	78-9236-6177-7	127/60	None	10.5	Open Singlet	No	None	Fixed	ENX	No	Dimmer Switch	1	9000 Single Element Glare Free	Line, Diode	None	4.5	No
9000 Overhead Projector	Mexico	United States 15"	9100 AABM	78-9236-6178-5	127/60	None	10.5	Art Doublet	Yes	External	Folding	ENX	No	Voltage Switch	1	9000 Single Element Glare Free	Line, Diode	None	4.5	Yes
9000 Overhead Projector	Mexico	United States 15"	9200 AACM	78-9236-6179-3	127/60	None	10.5	Open Triplet	Yes	External	Folding	FXL	Yes	Voltage Switch	2	9000 Single Element Glare Free	Line, Diode	None	4.5	Yes
9000 Overhead Projector	Mexico	United States 15"	9550 AHHM	78-9236-5637-1	127/50/60	None	A4	Varifocal	Yes	Internal	Folding	EVD	Yes	Dimmer Switch	2	9550 Dual Element Clear	Transformer	5A	4.5	Yes
9000 Overhead Projector	New Zealand	Australian	9050 AHAN	78-9236-5686-8	230/50		A4	Open Singlet	No	Internal	Fixed	FNT	No		1	9000 Single Element Glare Free	Transformer		1.7	

3M™ Overhead Projector 9000 Series

Specifications

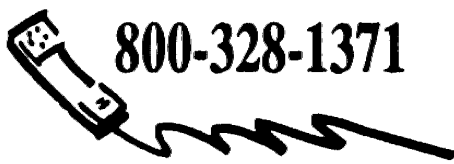
Model Description	Country	Power Cord	Model Alpha	Stock Number	Voltage/Hz	Agency	Stage Size	Head Type	Lamp Changer	Color Tuning	Post Type	Lamp Type	Handle	Lamp Control	Lamps Installed	Fresnel	Power	Fuse	Amps	Cord Storage
9000 Overhead Projector	New Zealand	Australian	9080 AHDN	78-9236-5672-8	240/50		A4	Open Singlet	Yes	External	Folding	FNT	No		1	9000 Single Element Glare Free	Transformer		3	
9000 Overhead Projector	New Zealand	Australian	9100 AHBN	78-9236-5659-5	240/50		A4	Art Doublet	Yes	External	Folding	FNT	No		1	2100 Dual Element Glare Free	Transformer		1.7	
9000 Overhead Projector	New Zealand	Australian	9200 AHCN	78-9236-5647-0	240/50		A4		Yes	External	Folding	FNT	Yes		2	2100 Dual Element Glare Free	Transformer		1.7	
9000 Overhead Projector	New Zealand	Australian	9550 AHHN	78-9236-5638-9	240/50		A4	Varifocal	Yes	Internal	Folding	EVD	Yes	Dimmer Switch	2	9550 Dual Element Clear	Transformer		2.5	
9000 Overhead Projector	Philippines	United States	9050 ARAP	78-9236-5687-6	240/60		A4	Open Singlet	No	Internal	Fixed	FNT	No		1	9000 Single Element Glare Free	Transformer		1.7	
9000 Overhead Projector	Philippines	United States	9080 ARDP	78-9236-5673-6	240/60		A4	Open Singlet	Yes	External	Folding	FNT	No		1	9000 Single Element Glare Free	Transformer		1.7	
9000 Overhead Projector	Philippines	United States	9100 ARBP	78-9236-5660-3	240/60		A4	Art Doublet	Yes	External	Folding	FNT	No		1	2100 Dual Element Glare Free	Transformer		1.7	
9000 Overhead Projector	Philippines	United States	9200 ARCP	78-9236-5648-8	240/60		A4	Open Triplet	Yes	External	Folding	FNT	Yes		2	2100 Dual Element Glare Free	Transformer		1.7	
9000 Overhead Projector	Philippines	Other—Two Blade 15"	9550 ARHP	78-9236-5639-7	240/60	None	A4	Varifocal	Yes	Internal	Folding	EVD	Yes	Dimmer Switch	2	9550 Dual Element Clear	Transformer	5A	2.5	Yes
9000 Overhead Projector	Saudi Arabia	United States	9050 AAAD	78-9236-5689-2	127/60		10.5	Open Singlet	No	Internal	Fixed	ENX	No	Resistor	1	9000 Single Element Glare Free	Diode		4.5	
9000 Overhead Projector	Saudi Arabia	European	9050 AHAD	78-9236-5694-2	230/50		A4	Open Singlet	No	Internal	Fixed	FNT	No		1	9000 Single Element Glare Free	Transformer		1.7	
9000 Overhead Projector	Saudi Arabia	European	9080 AHDD	78-9236-5680-1	230/50		A4	Open Singlet	Yes	External	Folding	FNT	No		1	9000 Single Element Glare Free	Transformer		1.7	
9000 Overhead Projector	Saudi Arabia	United States	9080 AADD	78-9236-5675-1	127/60		10.5	Open Singlet	Yes	External	Folding	ENX	No	Resistor	1	9000 Single Element Glare Free	Diode		4.5	
9000 Overhead Projector	Saudi Arabia	United States	9100 AABD	78-9236-5662-9	127/60		10.5	Art Doublet	Yes	External	Folding	ENX	No	Dimmer Switch	1	9000 Single Element Glare Free	Diode		4.5	
9000 Overhead Projector	Saudi Arabia	United States	9200 AACD	78-9236-5650-4	127/60		10.5	Open Triplet	Yes	External	Folding	FXL	Yes	Dimmer Switch	2	9000 Single Element Glare Free	Diode		4.5	
9000 Overhead Projector	Saudi Arabia	United States	9550 AAHD	78-9236-5725-4	127/60		A4	Varifocal	Yes	Internal	Folding	EVD	Yes	Dimmer Switch	2	9550 Dual Element Clear	Transformer		4.5	Yes
9000 Overhead Projector	South Africa	South Africa	9050 AHAR	78-9236-5688-4	240/50	SABS	A4	Open Singlet	No	Internal	Fixed	FNT	No		1	9000 Single Element Glare Free	Transformer		1.7	
9000 Overhead Projector	South Africa	South Africa	9080 AHDR	78-9236-5674-4	240/50	SABS	A4	Open Singlet	Yes	External	Folding	FNT	No		1	9000 Single Element Glare Free	Transformer		1.7	
9000 Overhead Projector	South Africa	South Africa	9100 AHBR	78-9236-5661-1	240/50		A4	Art Doublet	Yes	External	Folding	FNT	No		1	2100 Dual Element Glare Free	Transformer		1.7	
9000 Overhead Projector	South Africa	South Africa	9200 AHCR	78-9236-5649-6	240/50		A4	Open Triplet	Yes	External	Folding	FNT	Yes		2	2100 Dual Element Glare Free	Transformer		1.7	
9000 Overhead Projector	South Africa	South Africa	9550 AHHR	78-9236-5640-5	240/50	SABS	10.5	Varifocal	Yes	Internal	Folding	EVD	Yes	Dimmer Switch	2	9550 Dual Element Clear	Transformer		2.5	

3M™ Overhead Projector 9000 Series

Specifications

Model Description	Country	Power Cord	Model Alpha	Stock Number	Voltage/Hz	Agency	Stage Size	Head Type	Lamp Changer	Color Tuning	Post Type	Lamp Type	Handle	Lamp Control	Lamps Installed	Fresnel	Power	Fuse	Amps	Cord Storage
9000 Overhead Projector	Switzerland	Swiss	9050 AHAZ	78-9236-5690-0	230/50	SEV	A4	Open Singlet	No	Internal	Fixed	FNT	No	Voltage Switch	1	9000 Single Element Glare Free	Transformer		1.7	
9000 Overhead Projector	Switzerland	Swiss	9080 AHDZ	78-9236-5676-9	230/50	SEV	A4	Open Singlet	Yes	External	Folding	FNT	No	Voltage Switch	2	9000 Single Element Glare Free	Transformer		1.7	
9000 Overhead Projector	Switzerland	Swiss	9080 AHTZ	78-9236-5872-4	220/50	SEV	A4	Open Singlet	Yes	External	Folding	FNT	No	Voltage Switch	2	9000 Single Element Glare Free	Transformer	T4A	1.7	Yes
9000 Overhead Projector	Switzerland	Swiss	9100 AHBZ	78-9236-5663-7	230/50	SEV	A4	Art Doublet	Yes	External	Folding	FNT	No	Voltage Switch	2	2100 Dual Element Glare Free	Transformer		1.7	
9000 Overhead Projector	Switzerland	Swiss	9200 AHCZ	78-9236-5651-2	230/50	SEV	A4	Open Triplet	Yes	External	Folding	FNT	Yes	Voltage Switch	2	2100 Dual Element Glare Free	Transformer		1.7	
9000 Overhead Projector	Switzerland	Swiss	9200 AHMZ	78-9236-5875-7	230/50	SEV	A4	Open Triplet	Yes	External	Folding	FNT	Yes	Voltage Switch	2	2100 Dual Element Glare Free	Transformer	T4A	1.7	Yes
9000 Overhead Projector	Switzerland	Swiss	9550 AHHZ	78-9236-5724-7	230/50	SEV	A4	Varifocal	Yes	Internal	Folding	EVD	Yes	Dimmer Switch	2	9550 Dual Element Glare Free	Transformer		2.5	Yes
9000 Overhead Projector	Switzerland	Swiss	9550 AHSZ	78-9236-5878-1	230/50	SEV	A4	Varifocal	Yes	Internal	Folding	EVD	Yes	Dimmer Switch	2	9550 Dual Element Glare Free	Transformer	T4A	1.7	Yes
9000 Overhead Projector	Switzerland	Swiss	9400 AHRZ	78-9236-6274-2	230/50	SEV	A4	Open Triplet	Yes	External	Fixed	EVD	No	Dimmer Switch	2	9400 Dual Element Glare Free	Transformer	T5A	2.5	No
9000 Overhead Projector	Taiwan	Japan	9050 AAAT	78-9236-5691-8	120/60		A4	Open Singlet	No	Internal	Fixed	FNT	No		1	9000 Single Element Glare Free	Transformer		3	
9000 Overhead Projector	Taiwan	Japan	9080 AADT	78-9236-5677-7	120/60		A4	Open Singlet	Yes	External	Folding	FNT	No		1	9000 Single Element Glare Free	Transformer		3	
9000 Overhead Projector	Taiwan	Japan	9100 AABT	78-9236-5664-5	120/60		A4	Art Doublet	Yes	External	Folding	FNT	No		1	2100 Dual Element Glare Free	Transformer		3	
9000 Overhead Projector	Taiwan	Japan	9200 AACT	78-9236-5652-0	120/60		A4	Open Triplet	Yes	External	Folding	FNT	Yes		2	2100 Dual Element Glare Free	Transformer		3	
9000 Overhead Projector	Taiwan	Japan	9550 AAHT	78-9236-6022-5	120/60		A4	Varifocal	Yes	Internal	Folding	EVD	Yes	Dimmer Switch	2	9550 Dual Element Clear	Transformer		4.5	No
9000 Overhead Projector	Thailand	European	9050 AHAF	78-9236-5834-4	220/50		A4	Open Singlet	No	Internal	Fixed	FNT	No		1	9000 Single Element Glare Free	Transformer	T4A	1.7	No
9000 Overhead Projector	Thailand	European	9080 AHDF	78-9236-5835-1	220/50		A4	Open Singlet	Yes	External	Folding	FNT	No	Dimmer Switch	1	9000 Single Element Glare Free	Transformer	T4A	1.7	Yes
9000 Overhead Projector	Thailand	European	9100 AHBF	78-9236-5836-9	220/50		A4	Art Doublet	Yes	External	Folding	FNT	No	Dimmer Switch	1	2100 Dual Element Glare Free	Transformer	T4A	1.7	Yes
9000 Overhead Projector	Thailand	European	9200 AHCF	78-9236-5837-7	220/50		A4	Open Triplet	Yes	External	Folding	FNT	Yes	Dimmer Switch	2	2100 Dual Element Glare Free	Transformer	T4A	1.7	Yes
9000 Overhead Projector	Thailand	European	9550 AHHF	78-9236-5833-6	220/50		A4	Varifocal	Yes	Internal	Folding	EVD	Yes	Dimmer Switch	2	9550 Dual Element Clear	Transformer	T4A	2.5	Yes
9000 Overhead Projector	United Kingdom	United Kingdom	9050 AHAU	78-9236-5692-6	240/50	European	A4	Open Singlet	No	Internal	Fixed	FNT	No		1	9000 Single Element Glare Free	Transformer		1.7	
9000 Overhead Projector	United Kingdom	United Kingdom	9080 AHDU	78-9236-5678-5	240/50	European	A4	Open Singlet	Yes	External	Folding	FNT	No		2	9000 Single Element Glare Free	Transformer		1.7	
9000 Overhead Projector	United Kingdom	United Kingdom	9080 AHTU	78-9236-5871-6	240/50	European	A4	Open Singlet	Yes	External	Folding	FNT	No	Voltage Switch	2	9000 Single Element Glare Free	Transformer	T4A	1.7	Yes
9000 Overhead Projector	United Kingdom	United Kingdom	9100 AHBU	78-9236-5665-2	240/50	European	A4	Art Doublet	Yes	External	Folding	FNT	No		2	2100 Dual Element Glare Free	Transformer		1.7	

Model Description	Country	Power Cord	Model Alpha	Stock Number	Voltage/Hz	Agency	Stage Size	Head Type	Lamp Changer	Color Tuning	Post Type	Lamp Type	Handle	Lamp Control	Lamps Installed	Fresnel	Power	Fuse	Amps	Cord Storage
9000 Overhead Projector	United Kingdom	United Kingdom	9200 AHCU	78-9236-5653-8	240/50	European	A4	Open Triplet	Yes	External	Folding	FNT	Yes		2	2100 Dual Element Glare Free	Transformer		1.7	
9000 Overhead Projector	United Kingdom	United Kingdom	9200 AHMU	78-9236-5874-0	240/50	European	A4	Open Triplet	Yes	External	Folding	FNT	Yes	Voltage Switch	2	2100 Dual Element Glare Free	Transformer	T4A	1.7	Yes
9000 Overhead Projector	United Kingdom	United Kingdom	9550 AHHU	78-9236-5641-3	240/50	European	A4	Varifocal	Yes	Internal	Folding	EVD	Yes	Dimmer Switch	2	9550 Dual Element Glare Free	Transformer		2.5	
9000 Overhead Projector	United Kingdom	United Kingdom	9550 AHSU	78-9236-5877-3	240/50	European	A4	Varifocal	Yes	Internal	Folding	EVD	Yes	Dimmer Switch	2	9550 Dual Element Glare Free	Transformer	T4A	1.7	Yes
9000 Overhead Projector	United Kingdom	United Kingdom	9400 AHRU	78-9236-6273-4	240/50	European	A4	Open Triplet	Yes	External	Fixed	EVD	No	Dimmer Switch	2	9400 Dual Element Glare Free	Transformer	T5A	2.5	No
9000 Overhead Projector	United States	United States	9050 AJA	78-9236-5693-4	120/60	UL/CSA	10.5	Open Singlet	No	Internal	Fixed	ENX	No	Resistor	1	9000 Single Element Glare Free	Diode		4.5	
9000 Overhead Projector	United States	United States	9060 AJE	78-9236-5695-9	120/60	UL/CSA	10.5	Art Doublet	Yes	Internal	Fixed	ENX	No	Resistor	1	9000 Single Element Glare Free	Diode		4.5	
9000 Overhead Projector	United States	United States	9070 AJF	78-9236-5696-7	120/60	UL/CSA	10.5	Closed Singlet	No	Internal	Fixed	ENX	No	Resistor	1	9000 Single Element Glare Free	Diode		4.5	
9000 Overhead Projector	United States	United States	9080 AJD	78-9236-5679-3	120/60	UL/CSA	10.5	Closed Singlet	Yes	External	Folding	ENX	No	Resistor	1	9000 Single Element Glare Free	Diode		4.5	
9000 Overhead Projector	United States	United States	9100 AJB	78-9236-5666-0	120/60	UL/CSA	10.5	Art Doublet	Yes	External	Folding	ENX	No	Dimmer Switch	1	9000 Single Element Glare Free	Diode		4.5	
9000 Overhead Projector	United States	United States	9100 AJBX	78-9236-6049-8	120/60	UL/CSA	10.5	Art Doublet	Yes	External	Folding	ENX	No	Dimmer Switch	1	9000 Single Element Glare Free	Diode	None	4.5	Yes
9000 Overhead Projector	United States	United States	9200 AJC	78-9236-5654-6	120/60	UL/CSA	10.5	Open Triplet	Yes	External	Folding	FXL	Yes	Dimmer Switch	2	9000 Single Element Glare Free	Diode		4.5	
9000 Overhead Projector	United States/Canada	United States 15'	9075 AJG	78-9236-6164-2	120/60	UL/CSA	10.5	Closed Singlet	No	Internal	Fixed	ENX	No	Voltage Switch	1	9000 Dual Element Clear	Diode	None	4.5	No
9000 Overhead Projector	United States 15'	United States 15'	9200 BGC	78-9236-6187-6	120/60	UL	10.5	Closed Singlet	Yes	External	Folding	FXL	Yes	Dimmer Switch	2	9000 Single Element Glare Free	Line Diode	None	4.5	Yes
9000 Overhead Projector	United States 15'	United States 15'	9550 AJH	78-9236-5642-1	120/60	UL/CSA	A4	Varifocal	Yes	Internal	Folding	EVD	Yes	Dimmer Switch	2	9550 Dual Element Clear	Transformer	None	4.5	Yes



**800-328-1371**



**<http://www.3M.com/meetings>**

**Important Notice**

All statements, technical information, and recommendations related to 3M's products are based on information believed to be reliable, but the accuracy or completeness is not guaranteed. Before using this product, you must evaluate it and determine if it is suitable for your intended application. You assume all risks and liability associated with such use. Any statements related to the product which are not contained in 3M's current publications, or any contrary statements contained on your purchase order shall have no force or effect unless expressly set forth in a written agreement signed by an authorized officer of 3M.