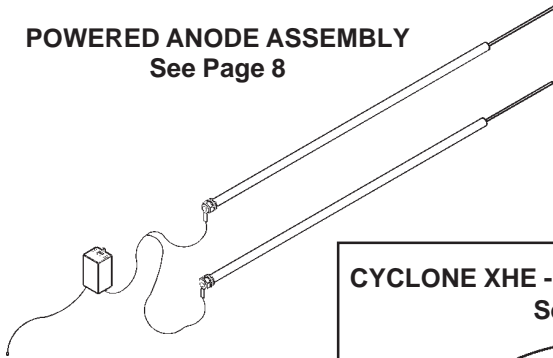
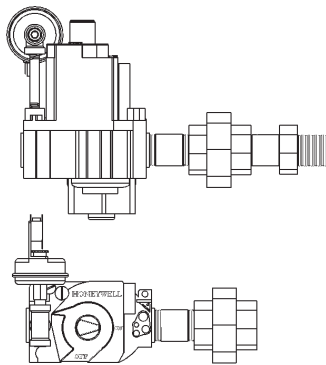


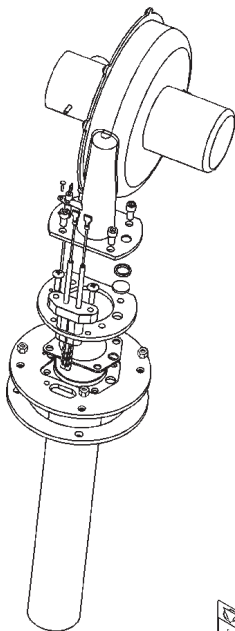
POWERED ANODE ASSEMBLY
See Page 8



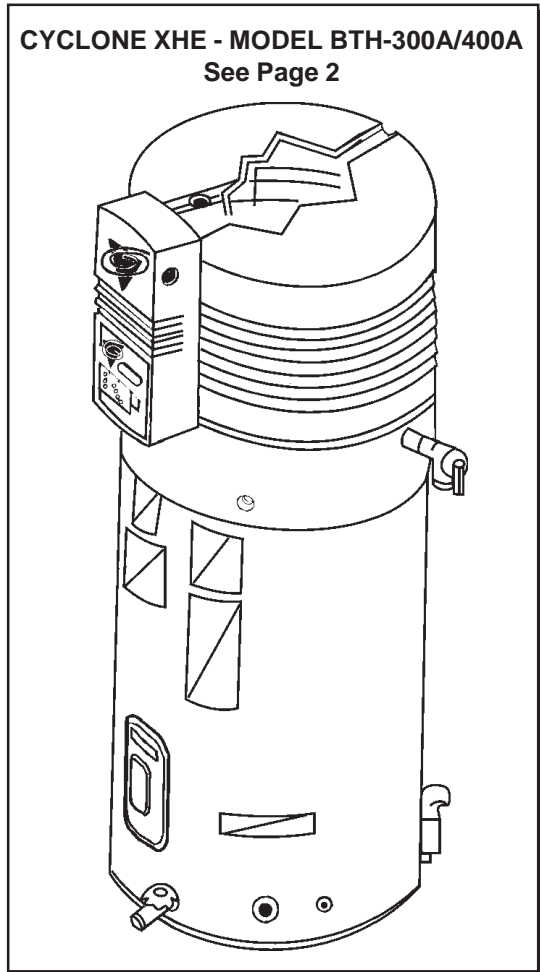
GAS VALVE
See Page 5



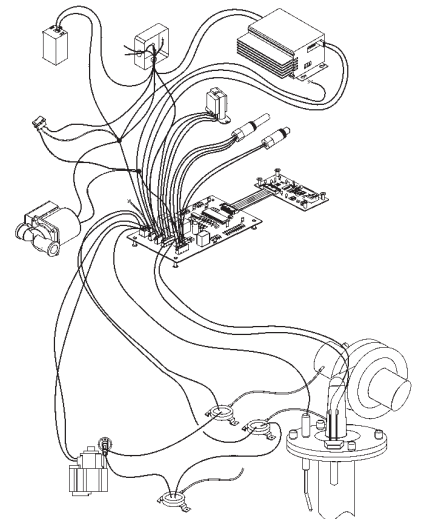
BLOWER/BURNER ASSEMBLY
See Page 7



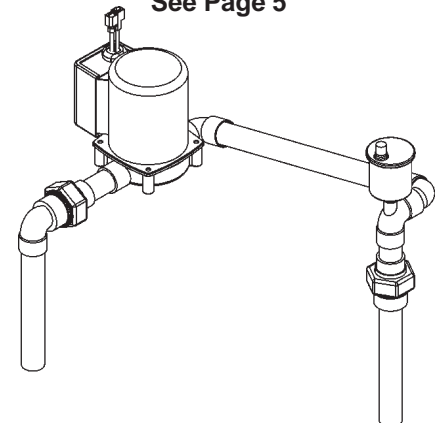
CYCLONE XHE - MODEL BTH-300A/400A
See Page 2



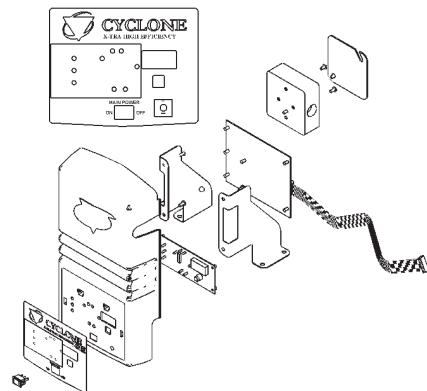
OPERATING CONTROL WIRING
See Page 4



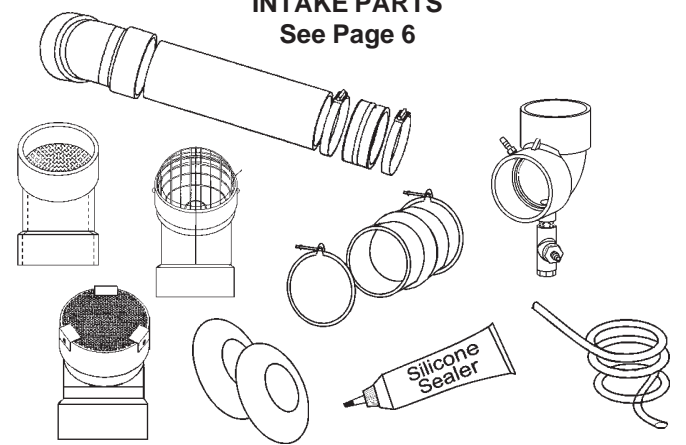
RECIRCULATING SYSTEM
See Page 5



CONTROL PANEL
See Page 3

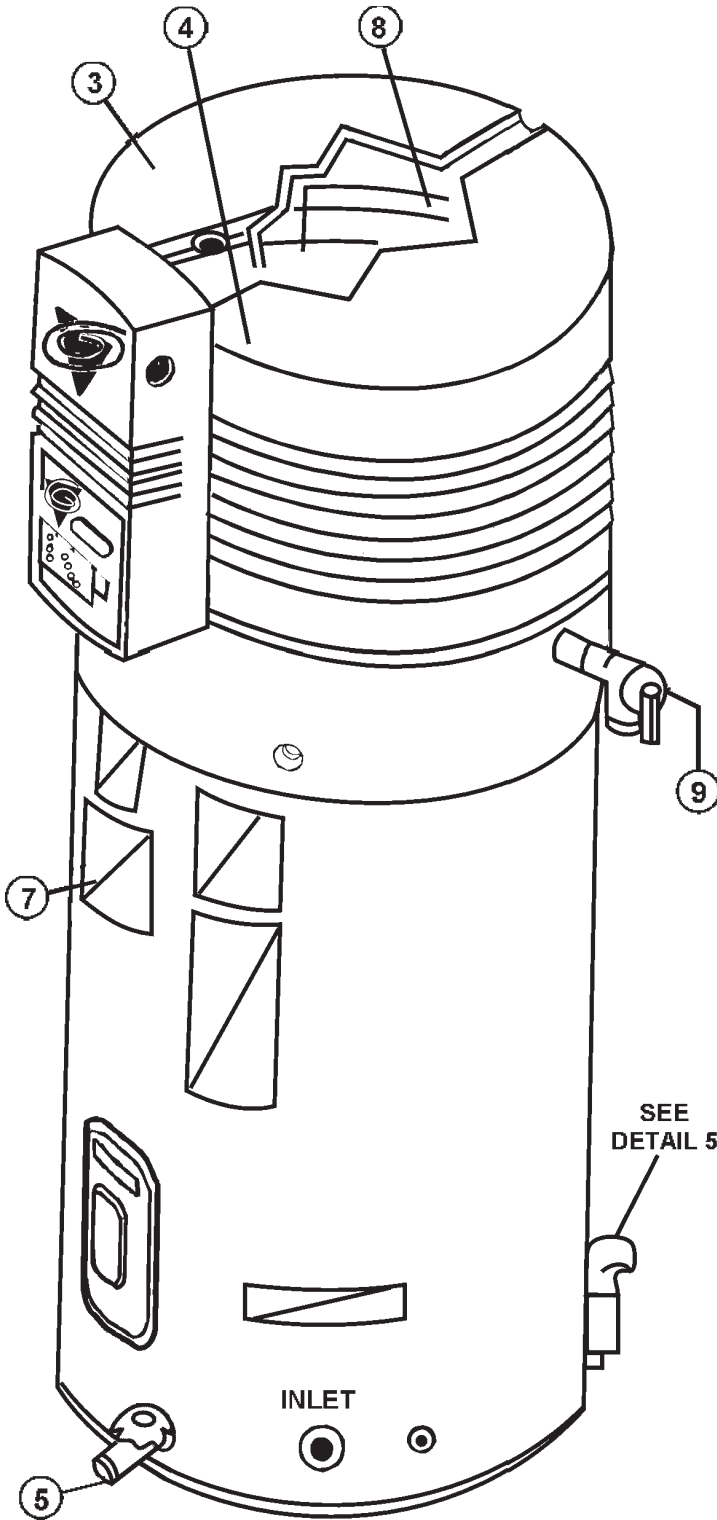


EXHAUST ELBOW, VENT KIT & BLOWER INTAKE PARTS
See Page 6



CYCLONE XHE BTH 300A/400A - PARTS LIST

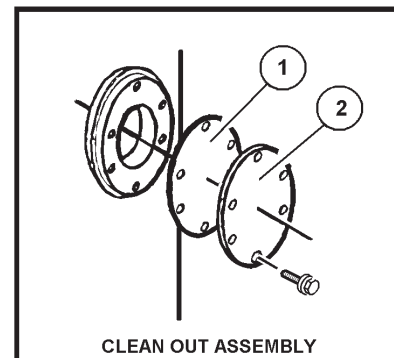
Item	Description	BTH 300A 974/975	BTH 400A 974/975
1	Cleanout Gasket	<u>99038</u>	<u>99038</u>
2	Cover, Cleanout	<u>99037</u>	<u>99037</u>
3	Cover, Left	194748	194748
4	Cover, Right	194749	194749
5	Drain Valve	26273-4	26273-4
7	Labels:		
	800 Help Line	190600	190600
	C.E.C.	42985	42985
	Cleanout	78754	78754
	ECO	192282-1	192282-1
	Electronic Ignition	77860	77860
	Flammable Vapors	184872-000 ..	184872-000
	Lighting & Operating	194548	194548
	Relief Valve	191068	191068
	UL	192870	192870
	Ultra Coat	193860	193860
	Warning	193912	193912
	Water Inlet	94519	94519
	Water Outlet	94518	94518
	Wiring Diagram	194772	194772
8	Panel, Back	194750	194750
9	Temperature and Pressure Relief Valve ...	99383-3	99383-3



NOTE: Underlined parts are recommended stock items for emergency replacement. Consider gas used in your area only.

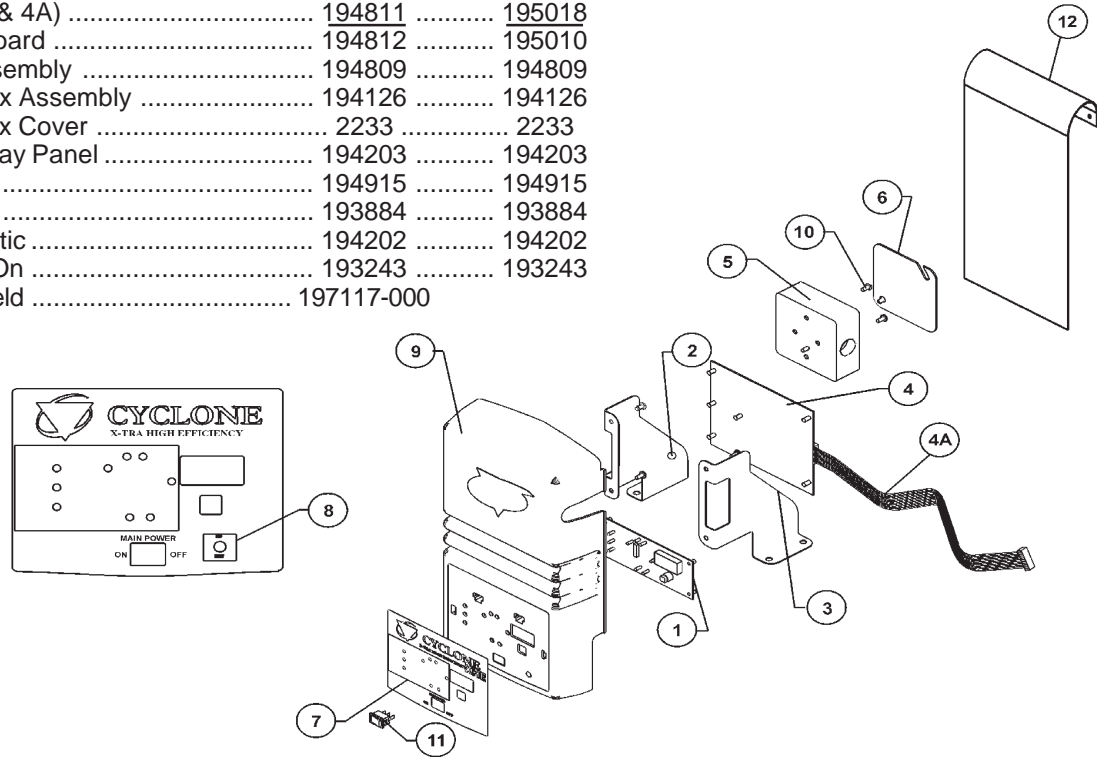
*Not illustrated.

Standard hardware items may be purchased locally.



CYCLONE XHE BTH 300A/400A - CONTROL PANEL

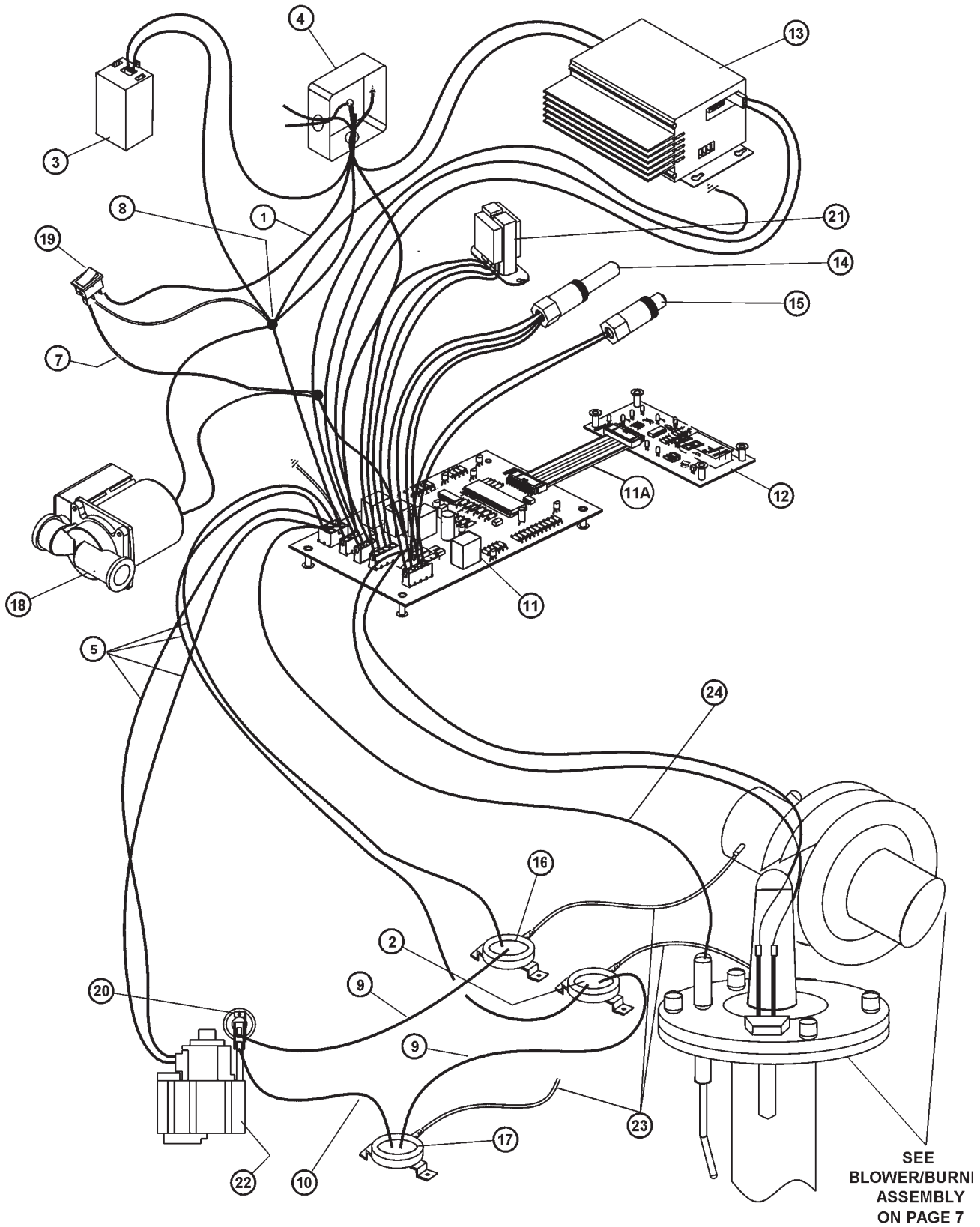
Item	Description	BTH300A		BTH400A	
		974/975		974/975	
1	Board, Display Panel	194808	194808	
2	Bracket, Mounting Left	194123-1	194123-1	
3	Bracket, Mounting Right	194123	194123	
	Control Board, Cable Assembly (includes 4 & 4A)	194811	195018	
4	Control Board	194812	195010	
4A	Cable Assembly	194809	194809	
5	Junction Box Assembly	194126	194126	
6	Junction Box Cover	2233	2233	
7	Label, Display Panel	194203	194203	
8	Label, Led	194915	194915	
9	Panel Front	193884	193884	
10	Screw, Plastic	194202	194202	
11	Switch, Off/On	193243	193243	
12	Splatter Shield	197117-000		



CYCLONE XHE BTH 300A/400A - OPERATING CONTROLS & WIRING (See Next Page)

Item	Description	BTH 300A		BTH 400A	
		974/975		974/975	
1	Cable Assembly, Power Switch	194785	194785	
2	Blower Prover Air Switch	194706	195013	
3	Box, Anode	194857	194857	
4	Box, Junction	194126	194126	
5	Cable Assembly, Low Voltage	194918	194918	
7	Wire Harness	194783	194783	
8	Cable, Assembly - Controls	194784	194784	
9	Wire Assembly - Air Flow Switch	192802-2	192802-2	
10	Wire Assembly - Air Flow Switch	192802-1	192802-1	
	Control Board, Cable Assembly (Includes Item 11 & 11A)	194811	195018	
11	Control Board	194812	195010	
11A	Cable Assembly	194809	194809	
12	Display Board	194808	194808	
13	Electronic Control	194747	194747	
14	Probe, Upper	192606	192606	
15	Probe, Lower	192609	192609	
16	Switch, Blocked Inlet	194911	195012	
17	Switch, Blocked Outlet - NAT	194910	194910	
	Switch, Blocked Outlet - LP	195017	195017	
18	Pump, Recirculation	196915	196915	
19	Switch, On/Off	193243	193243	
20	Switch, NAT, Low Gas Pressure	191149-6	191149-6	
	Switch, LP, Low Gas Pressure	191149-4	191149-4	
21	Transformer	192608	192608	
22	Valve, Natural Gas	194536-5	194536-5	
22	Valve, LP Gas	194536-6	194536-6	
23	Tubing, 1/4" ID, PVC	193738	193738	
24	Cable Assembly, Igniter	194937	194937	

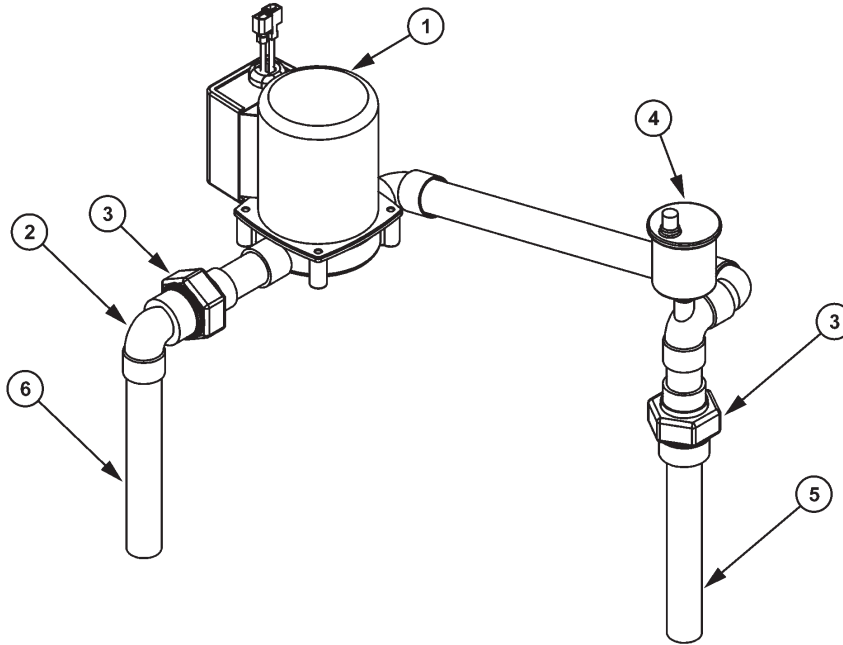
DETAIL 2 - CYCLONE XHE BTH 300A/400A - CONNECTIONS (Continued)



SEE
BLOWER/BURNER
ASSEMBLY
ON PAGE 7

RECIRCULATING SYSTEM

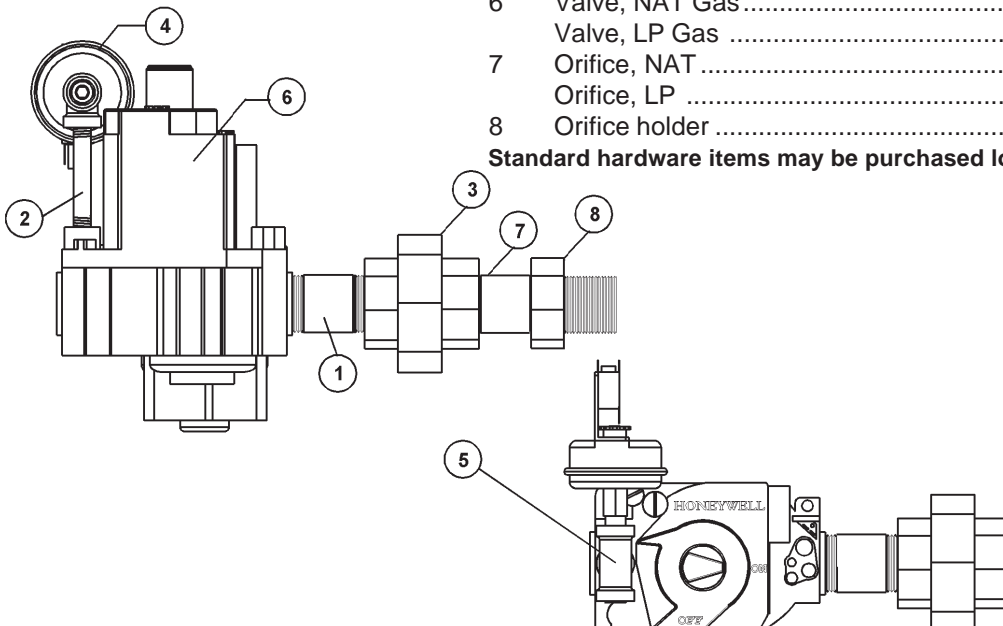
Item	Description	BTH 300A 974/975	BTH 400A 974/975
1	Pump, Recirculation	196915	196915
2	Elbow, 3/4" Male - 1" Female	194872	194872
3	Di-Electric Union	196941	196941
4	Vent, Automatic Air	194830	194830
5	Tube, Inlet	194820	194820
6	Tube, Closed End Dip	194924	194924



DETAIL 4 - GAS VALVE

Item	Description	BTH 300A 974/975	BTH 400A 974/975
1	Nipple, 3/4" - Pipe	85040-18	85040-18
2	Nipple, 1/8" - Pipe	192948-2	192948-2
3	Pipe, Union	95515	95515
4	Switch, Low Gas Pressure	191149-6	191149-6
	LP Gas	191149-4	191149-4
5	Tee, Non-Reducing	40119	40119
6	Valve, NAT Gas	194536-5	194536-5
	Valve, LP Gas	194536-6	194536-6
7	Orifice, NAT	192477-268	192477-304
	Orifice, LP	192477-185	192477-221
8	Orifice holder	192447	192447

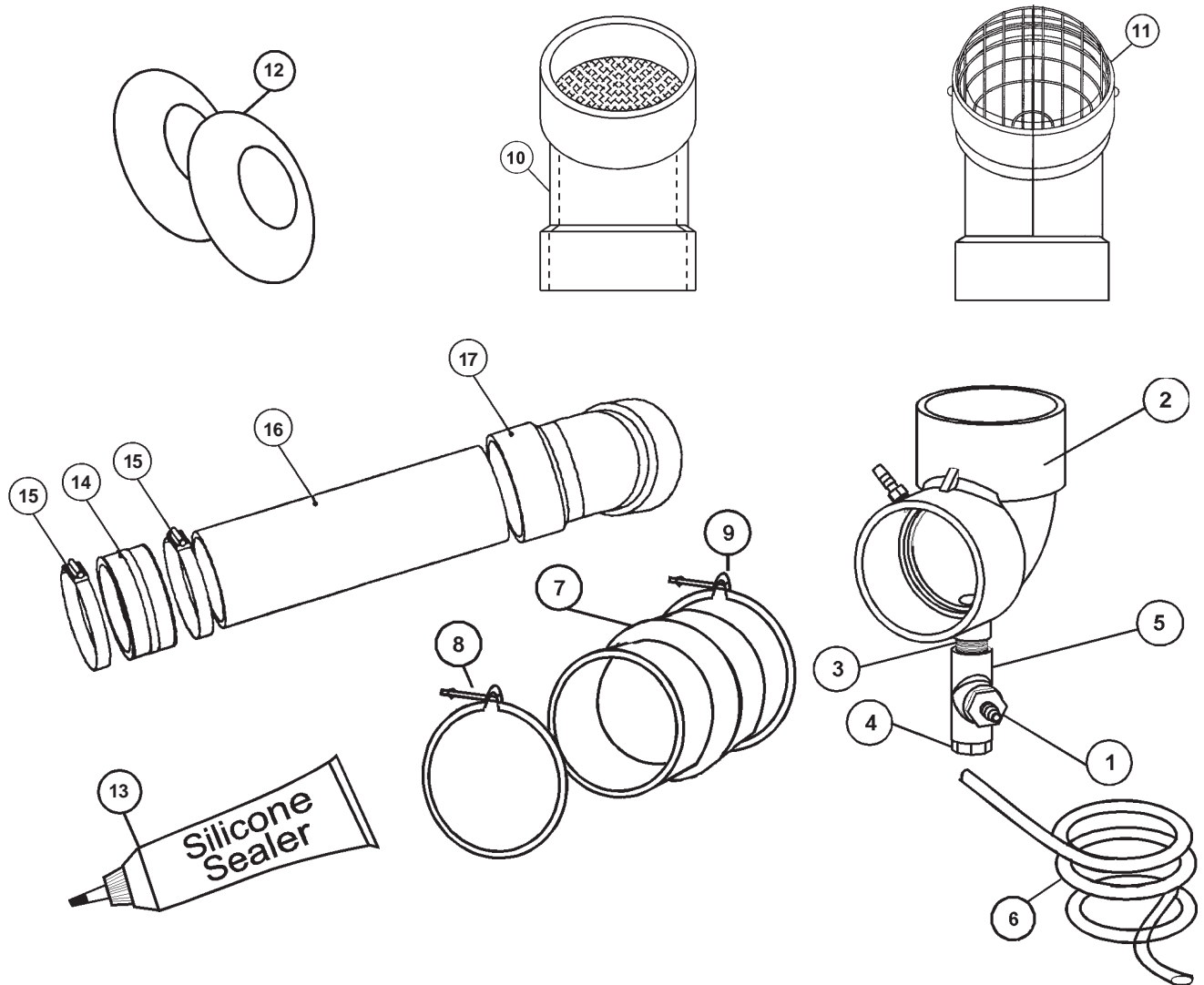
Standard hardware items may be purchased locally.



EXHAUST ELBOW, VENT KIT & BLOWER INTAKE PARTS

Item	Description	BTH 300A 974/975	BTH 400A 974/975
EXHAUST ELBOW AND FITTINGS			
1	Adapter, Hose Fitting	192472	192472
2	Elbow, 90°	195294	195294
3	Nipple, Pipe, Closed	194558	194588
4	Plug, Hex	194560	194560
5	Tee	194559	194559
6	Tubing	191746-72	191746-72
7	Connector, Exhaust	192636	192636
8	Hose Clamp, 3"	192696	192696
9	Hose Clamp, 4.5"	192697	192697
VENT KIT PARTS			
10	Elbow w/Screen	192815	192815
11	Intake Terminal	182167	182167
12	Wall Plates (2 Req'd)	181557	181557
13	Silicone Sealer, 2 oz. tube	181564	181564
BLOWER INTAKE PARTS			
14	Coupling	182094	182094
15	Hose Clamp	194838	194838
16	Tube, Intake	194923	194923
17	Vent Terminal, Intake	196745	195736

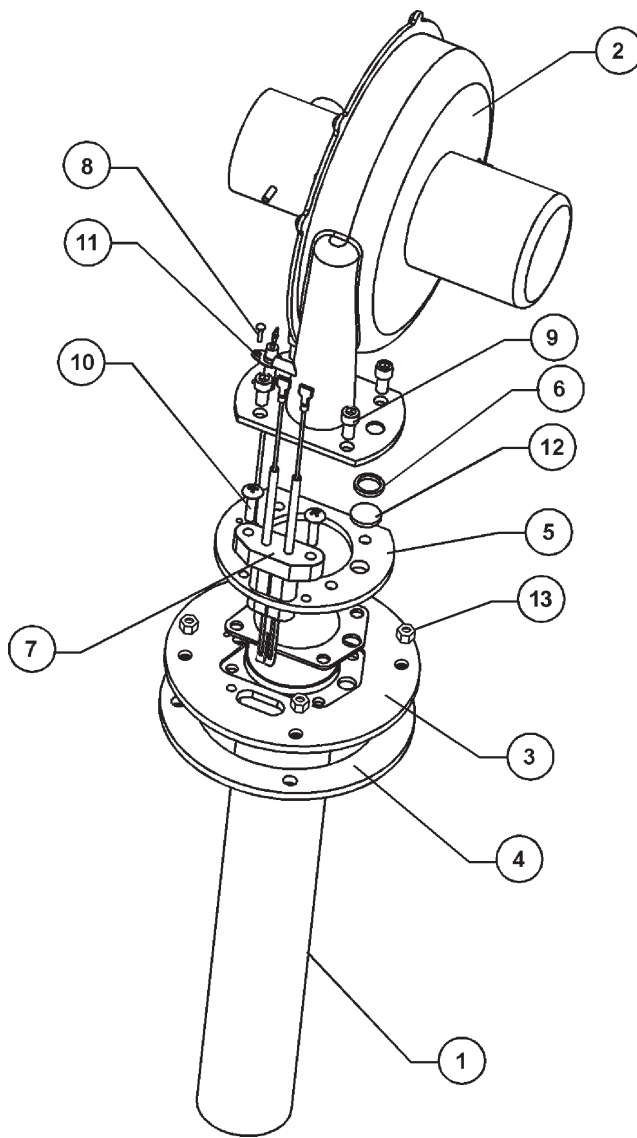
Dash number indicates inches.
* Not Illustrated.



BLOWER/BURNER - ASSEMBLY

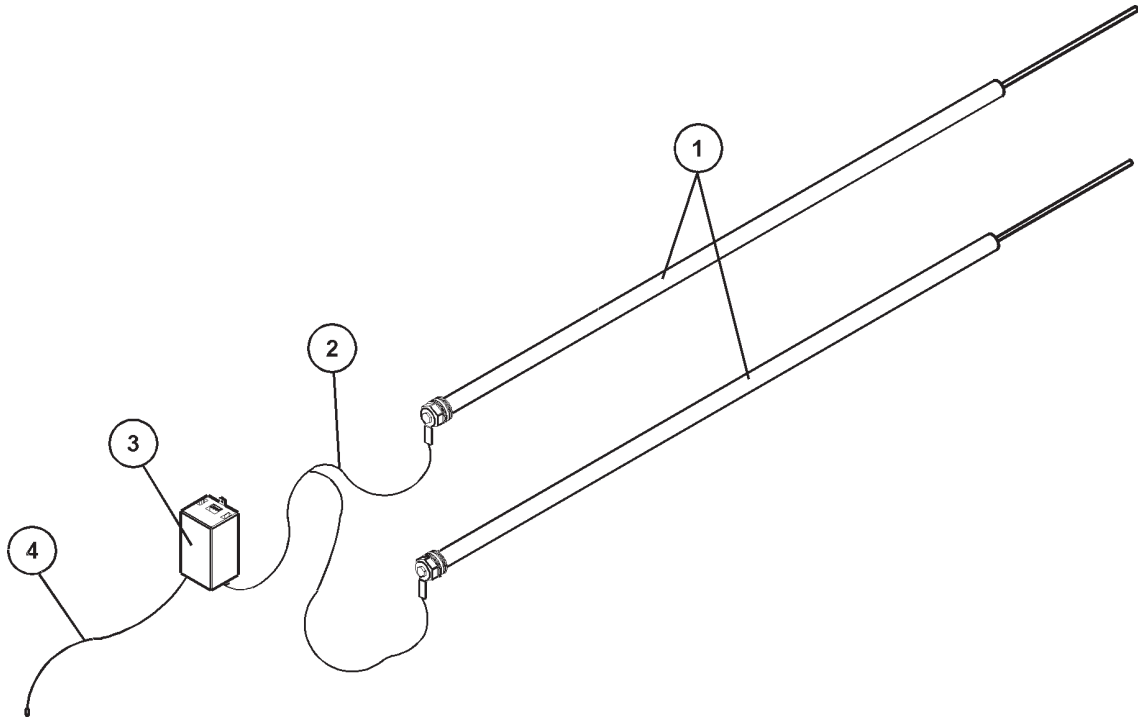
Item	Description	BTH 300A	BTH 400A
		974/975	974/975
1	Burner	194779	194998
2	Blower/Motor Assembly	194746	194746
3	Flange-Burner	194960	194960
4	Gasket	194817	194817
5	Gasket, Burner	194777	195016
6	Gasket-Viewport	194827	194827
7	Ignitor	192334	192334
8	Screw, #8-18 x 1/2	192698	192698
9	Screw, Socket Head Cap	192515	192515
10	Screw, Truss Hd. Mach 1/4-20 x 2.00	194816	194816
11	Sensor, Flame	194776-1	194776-1
12	Window, Observation	98758-3	98758-3
13	Hex Nut	196882	196882

Standard hardware items may be purchased locally.



POWERED ANODE ASSEMBLY

Item	Description	BTH 300A	BTH 400A
		974/975	974/975
1	Anode	194787	194787
2	Anode Wire, 28"	194925	194925
3	Control Box	194857	194857
4	LED w. Lead Wire	194959	194959



A.O. Smith
Water Heaters

A.O. Smith Water Heater Parts Fulfillment

125 Southeast Parkway
Franklin, TN 37068
1-800-433-2545
www.hotwater.com