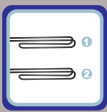


Comfort is a warm feeling



A. O. Smith-Jaquar Water Heaters. Good looking. Technologically far ahead.

Dual Glass Coated Heating Elements



Dual Glass Coated Heating Elements reduce electricity bills, increase life of the heating element and heat water faster.

Changeable Decorative Panels



Changeable Front Panels in eight colours to match your bathroom.

High Strength Steel Tank



23% stronger than stainless steel tanks. Ideal for high rise apartments where water pressure is high.

Blue Diamond Glass Lined Tank



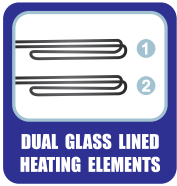
Blue Diamond Glass Lining offers the best protection against tank corrosion.

Saves Energy



EWJ 15, 25 Litres

Key Features



Dual Glass Coated Heating Elements reduces electricity bills, increases the life of the heating element and heats water faster

- 1 Dual Glass Coated Heating Elements provide extended life to the water heater by preventing Scale Formation on the element surface. They help in quick water heating. In the unlikely event of one glass coated element failing, the other element ensures that water gets heated. It is recommended in all areas that have hard water.



Blue Diamond Glass Lining offers the best protection against tank corrosion

- 2 The new Blue Diamond technology with enhanced levels of zircon increases the life of the water heater. The lining is proven to be stronger and more water-resistant than any other in the industry.



Anode Rod protects the tank from corrosion

- 3 The tank has an anode rod system with a stainless-core that is designed to protect the tank from corrosive elements. The system uses a special cathodic action to fight the corrosive elements which in turn prolongs the life of the water heater.



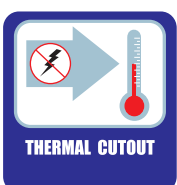
Safety Valve discharges water in case pressure or temperature exceeds preset limits

- 4 This water heater has a temperature and pressure safety valve. This valve is designed to automatically relieve and discharge water in case the pressure or temperature overshoots the preset limits. [Not seen in picture]



Digital Controls & Display helps set temperature and power options

- 5 The Control Panel has a LCD screen that displays electricity consumed and the set temperature. The user can select the set temperature within the range of 25°C - 75°C and an input mode among 1kW, 2kW and 3kW. The preset settings won't change in the eventuality of a power cut or the power plug being pulled out by mistake. Feature available with sizes 15 litres and above.



Thermal Cutout cuts electrical power to the unit if a fault occurs, ensuring safety

- 6 In case a fault occurs and the water temperature exceeds the highest preset temperature on the thermostat, the breaker rapidly cuts off the live line and the zero line simultaneously to guarantee safety.

A. O. Smith ColourMatch System™ [Decorative Front Panel]



The A. O. Smith ColourMatch System™ allows your water heater to match the colours of your home interiors.

Select the colour of front panel as per your choice.



Blue



Steel Grey



Lavender



Ivory



Red Brick



Olive



Brown

Warranty

The tank carries a warranty of 7 years. The Glass Lined Heating Elements have a warranty of 4 years. The rest of the parts carry a warranty of 2 years.

Please ensure you fill the warranty card enclosed in the packaging, at the time of purchase.

Introducing A Partnership Providing Elite Comfort

A. O. Smith

In 1936, A. O. Smith developed and patented a process to glass-line water heaters.

Today, A. O. Smith Water Products Company; the largest water heater manufacturer in North America, has gained the respect and support of homeowners, contractors, architects, and specifying engineers in over 60 countries by providing innovative technologies and energy efficient solutions.

Jaquar

Set up in the year 1986, Jaquar has evolved in tune with the changing customer tastes and preferences. The multi-faceted leader in the world of bath fittings based in India is driven by a mission to provide its customers with quality bathware solutions. Throughout the years Jaquar has remained steadfastly committed to its philosophy of standardisation, customer satisfaction, and total quality solutions, no matter what the cost.

The Partnership

Based on feedback from numerous focus group studies conducted throughout India and an endless number of hours of market research, A. O. Smith and Jaquar have formed a partnership; utilizing their individual strengths, to provide the A. O. Smith-Jaquar Elite Series for consumers who are demanding an endless supply of style and comfort.

Product Range



EWJ 6, 10 Litres



EWJ 15, 25 Litres



Wired remote with LCD display enables the water heater to be installed in the loft with easy access to all controls through the remote panel.

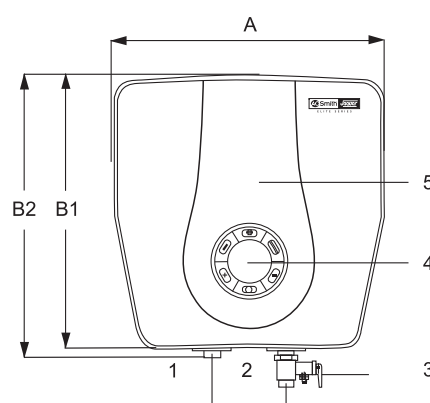
CEWHR 35, 50, 70, 100 Litres

Specifications

Model	EWJ-6	EWJ-10	EWJ-15	EWJ-25
Capacity [ltrs.]	6	10	15	25
Power Supply	← 230V / 50Hz →			
Wattage [kW]	2	2	1/2/3	1/2/3
Max Stdg. Loss [kWh/24h/45°C diff.] [as per ISI 2082:1993 amended in 2002]	0.792	0.99	1.138	1.386
Actual Stdg. Loss [kWh/24h/45°C diff.]	0.51	0.62	0.75	0.924
Reheating Time for 50°C rise [in min]	16	33	48 for 2kW 38 for 3kW	72 for 2kW 58 for 3kW
Rated Pressure [bar]	8	8	8	8

Dimensions

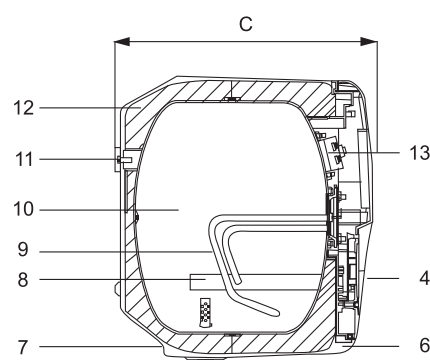
Model	EWJ-6	EWJ-10	EWJ-15	EWJ-25
A [mm]	317	373	373	444
B1 [mm]	317	373	373	444
B2 [mm]	326	380	383	453
C [mm]	258	277	340	374



Parts Descriptors

Part Descriptors	
1 Outlet	8 Anode
2 Inlet	9 Heating Element*
3 Safety Valve	10 Tank
4 Digital Display*	11 Installation Bracket
5 Decorative Front Panel	12 PU Insulation
6 Front Jacket	13 Thermal Cutout
7 Back Jacket	

*EWJ 6, 10 Litres are available with a manual Thermostat Knob and single heating element.



Reliable after Sales Service

We guarantee you efficient, speedy and superior after sales services, so that you can enhance your experience with the undisputed quality that we offer.

Jaquar Mercantile
 306 Udyog Vihar Phase II, Gurgaon - 122016, Haryana (India).
 T: +91.124.474.6800 [30 Lines] ■ F: +91.124.234.6531-32
www.jaquar.com/utility/aos

