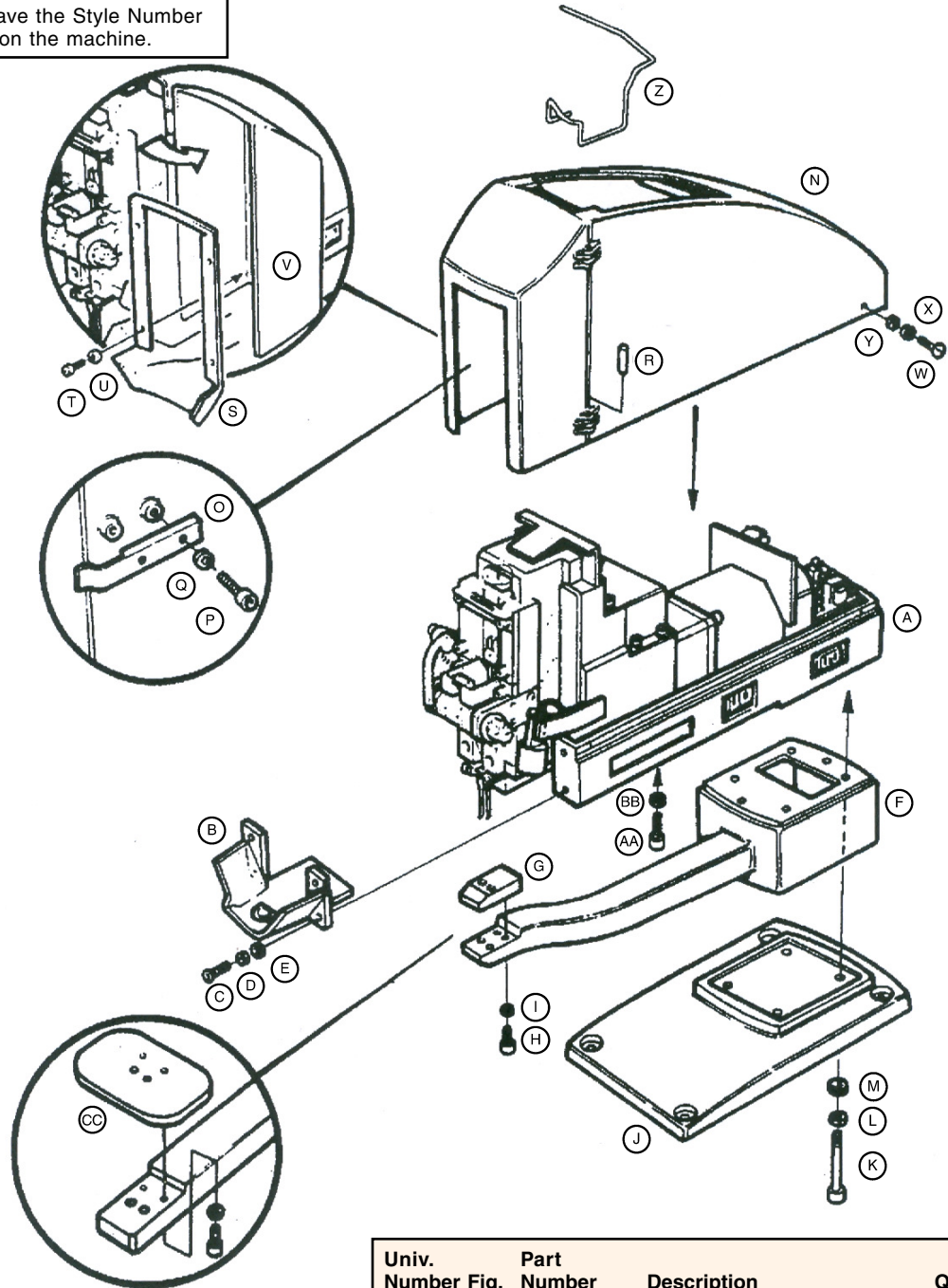


Parts for Avery Dennison ST9000™ Plastic Staple Attacher — Old Style

Note: Old style ST9000 have the Style Number 10646-0, which is printed on the machine.

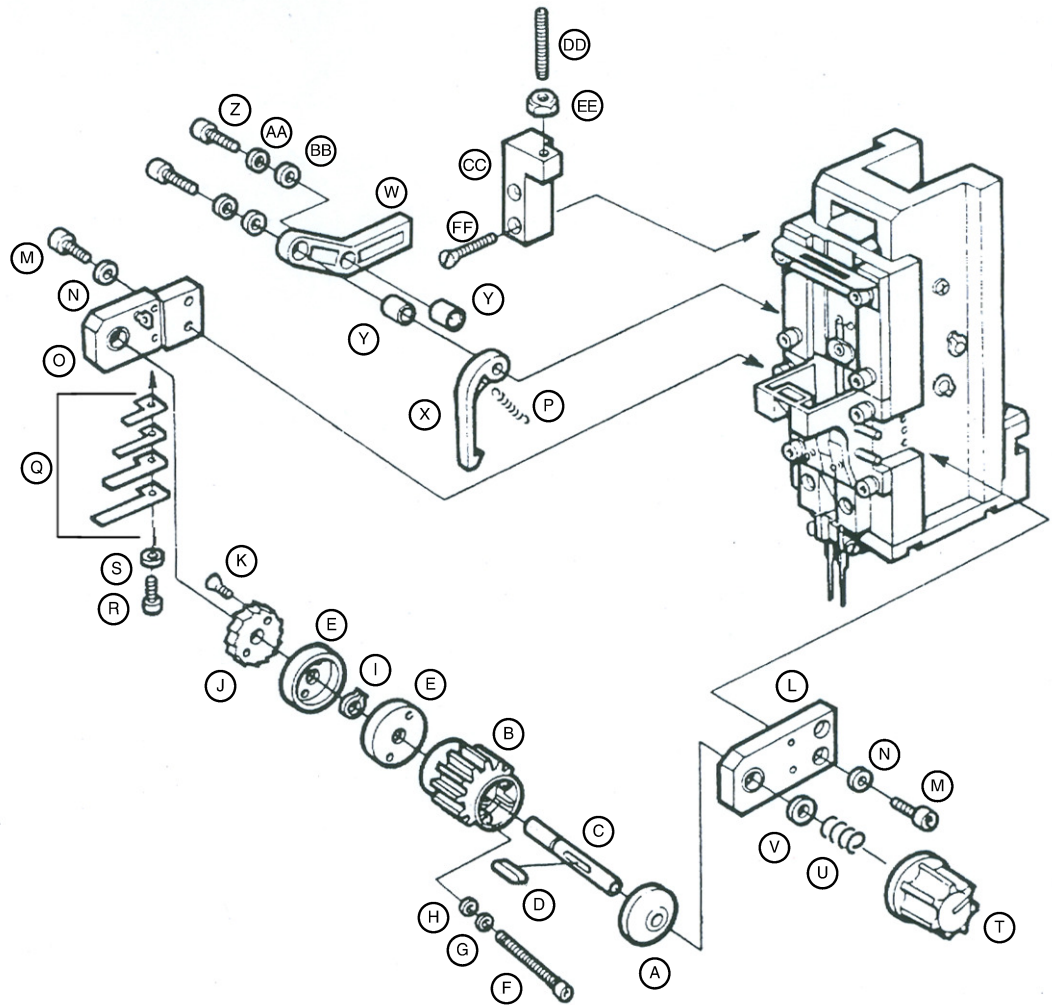


Univ. Number	Fig.	Part Number	Description	Qty.
16010	A	DT0002-001	Assembly, frame	1
	B	DT0007-001	Needle guard	1
	C	DT0029-001	Button screw M4 x 8mm	4
	D	028040-242	Lock washer M4	4
	E	026040-136	Washer M4	4
	F	DT0008-001	Assembly, reactor arm	1
	G	DT0010-001	Reactor plate, Standard ST9000	1
	H	018400-831	Screw M4 x 8mm	2
	I	028040-242	Lock washer M4	2
	J	DT0012-001	Base	1
	K	018089-531	Screw M8 x 95mm	4
	L	028080-242	Lock washer M8	4
	M	025080-132	Washer M8	4
	N	DT0013-001	Assembly, enclosure	1

Univ. Number	Fig.	Part Number	Description	Qty.
	O	DT0018-001	Spring, front door	1
	P	018300-631	Screw M3 x 6mm	2
	Q	028030-242	Lock washer M3	2
16011	R	DT0022-001	Pin, hinge	2
	S	DT0027-001	Door, needle guard	1
	T	018300-631	Screw M3 x 6mm	4
	U	DT0028-001	Washer M3 x 12	4
	V	DT0024-001	Door, enclosure (not clear)	1
		DT0024-002	Clear door (goes on vertical machine)	1
16012	W	DT0029-001	Button screw M4 x 8mm	4
	X	028040-242	Lock washer M4	4
	Y	026040-136	Washer M4	4
16013	Z	DT0030-001	Reel support	1
	AA	018061-531	Screw M6 x 15mm	4
	BB	028060-242	Lock washer M6	4
	CC	DT0036-001	Reactor plate, Vertical ST9000	1

Parts for Avery Dennison ST9000™ Plastic Staple® Attacher — Old Style — Head — External Parts 1

Note: Old style ST9000 have the Style Number 10646-0, which is printed on the machine.

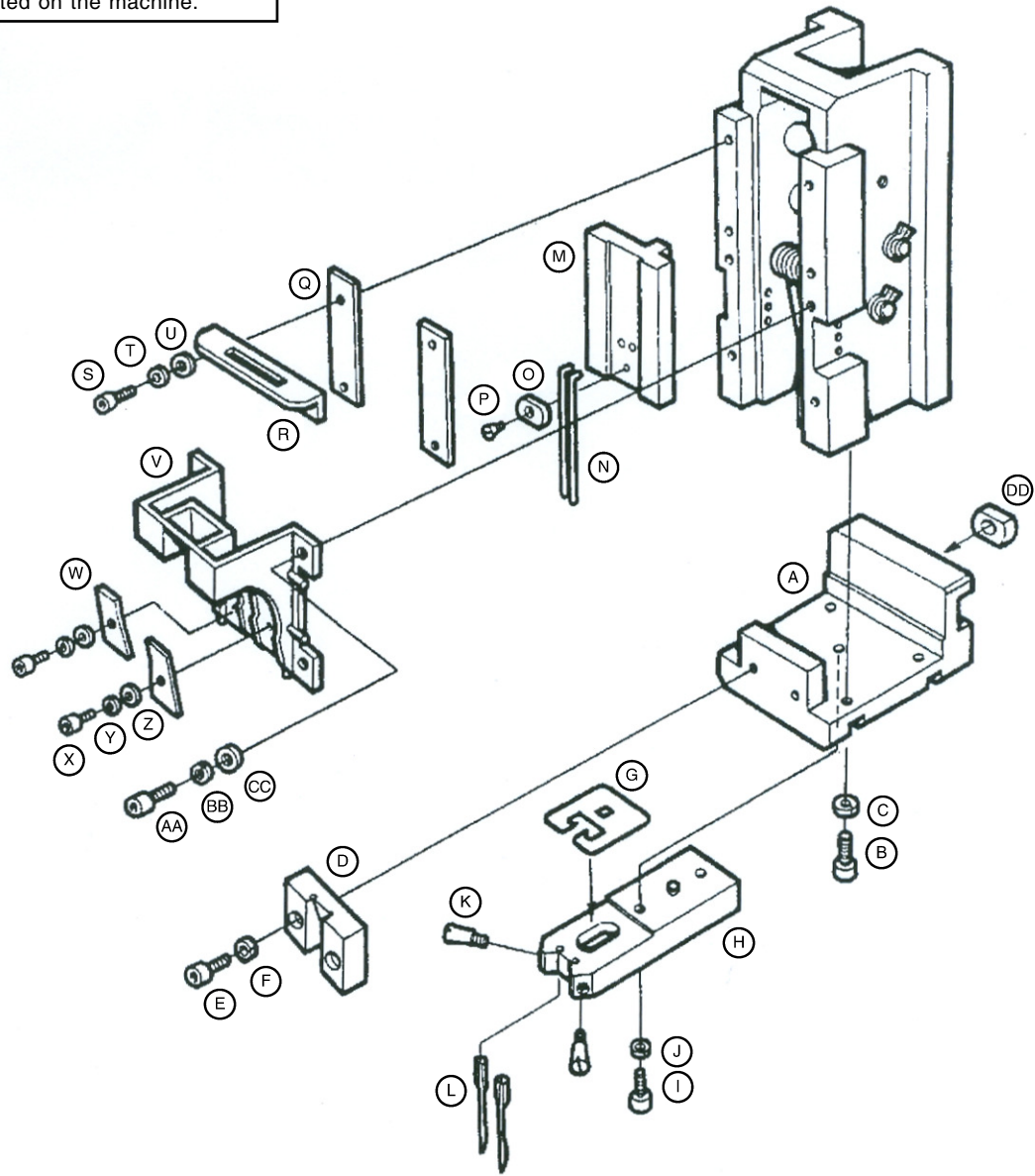


Univ. Number	Fig.	Part Number	Description	Qty.
		A	DT0137-001 Feed collar	1
16032		B	DT0138-001 Feed gear	1
		C	DT0165-001 Feed shaft	1
		D	DT0140-001 Key	1
16036		E	DT0141-001 Clutch, ratchet	2
		F	018303-031 Screw M3 x 30mm	2
		G	026030-232 Washer M3	2
		H	028030-242 Lock washer M3	2
		I	048060-142 C-ring 6M	1
		J	DT0143-001 Feed ratchet	1
		K	DT0158-001 Screw M3 x 8mm	2
		L	DT0145-001 Assembly, support plate right	1
		M	018401-031 Screw M4 x 10mm	4
		N	028040-242 Lock washer M4	4
		O	DT0147-001 Assembly, support plate left	1
		P	DT0149-001 Pawl spring	1
16023		Q	DT0150-001 Anti-back, ratchet (welded together as one piece)	1

Univ. Number	Fig.	Part Number	Description	Qty.
16037		R	018300-631 Screw M3 x 6mm	1
		S	028030-242 Lock washer M3	1
		T	DT0151-001 Feed knob	1
		U	DT0152-001 Feed spring	1
		V	025060-232 Washer M6	1
		W	DT0154-001 Feed lever	1
16024		X	DT0155-001 Feed pawl	1
		Y	DT0156-001 Spacer M6	2
		Z	018401-231 Screw M4 x 12mm	2
		AA	028040-242 Lock washer M4	2
		BB	026040-136 Washer M4	2
		CC	DT0212-001 Feed stop	1
		DD	012502-531 Screw M5 x 25mm	1
		EE	021500-305 Nut M5	1
16034		FF	DT0229-001 Screw M4 x 20mm	2

Parts for Avery Dennison ST9000™ Plastic Staple® Attacher — Old Style — Head — External Parts 2

Note: Old style ST9000 have the Style Number 10646-0, which is printed on the machine.

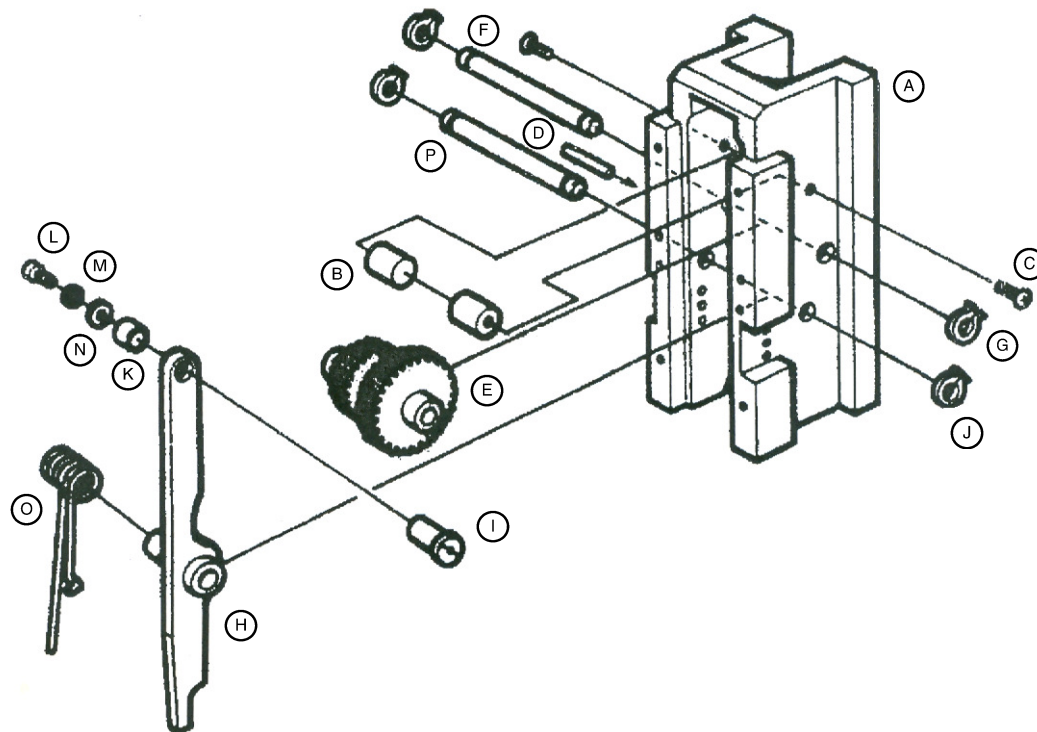


Univ. Number Fig.	Part Number	Description	Qty.
16015	A DT0117-001	Block, needle holder	1
	B 018401-031	Screw M4 x 10mm	4
	C 028040-242	Lock washer M4	4
16016	D DT0118-001	Knife block	1
	E 018400-831	Screw M4 x 8mm	2
	F 028040-242	Lock washer M4	2
	G DT0119-001	Knife	1
16017	H DT0120-001	Assembly, needle holder	1
	I 018401-531	Screw M4 x 15mm	2
	J 028040-242	Lock washer M4	2
16018	K DT0122-001	Screw, needle lock	2
1622	L 11008	Needles, Plastic Staple™ Fine Fabric™	2
1623	L 11009	Needles, Plastic Staple™ Ultra Fine Fabric™	2
	M DT0125-001	Ejector slide	1
16003	N 7-60-2733-01	Ejector rod	2

Univ. Number Fig.	Part Number	Description	Qty.
	O DT0128-001	Ejector rod washer	1
16025	P DT0158-001	Screw M3 x 8mm	1
	Q DT0129-001	Screw plate	2
	R DT0130-001	Upper feed guide	1
	S DT0159-001	Button screw M4 x 10mm	4
	T 026040-136	Washer M4	4
	U 028040-242	Lock washer M4	4
16020	V DT0131-001	Assembly, feed guide	1
16021	W DT0135-001	Guide plate	2
	X 018300-631	Screw M3 x 6mm	2
	Y 028030-242	Lock washer M3	2
	Z 026030-232	Washer M3	2
	AA 018400-831	Screw M4 8mm	4
	BB 026040-136	Washer M4	4
	CC 028040-242	Lock washer M4	4
	DD DT0224-001	Bushing, crank	1

Parts for Avery Dennison ST9000™ Plastic Staple® Attacher — Old Style — Head — Internal Parts

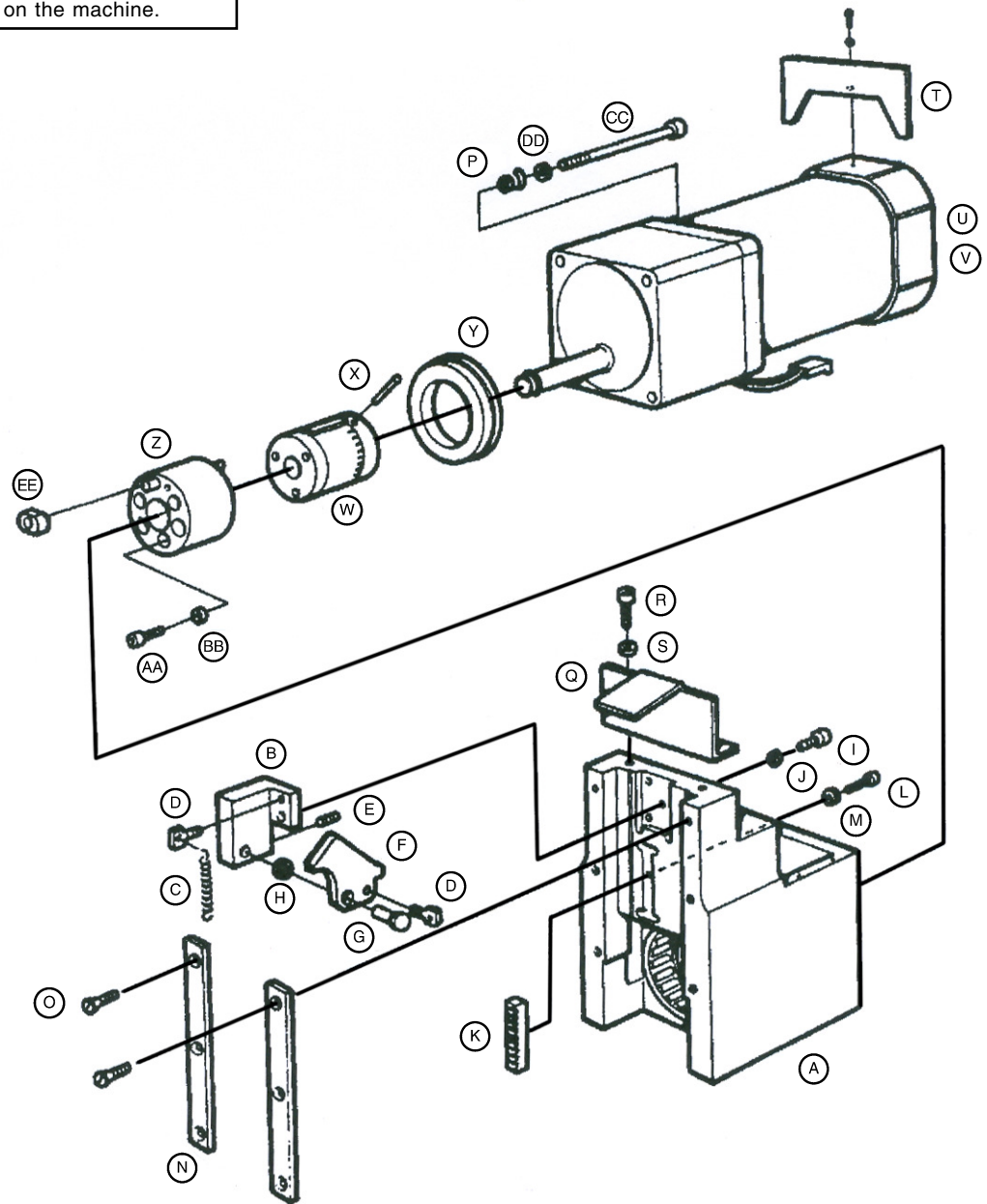
Note: Old style ST9000 have the Style Number 10646-0, which is printed on the machine.



Univ. Number	Fig.	Part Number	Description	Qty.
	A	DT0103-001	Housing	1
	B	DT0106-001	Guide, knife lever	2
	C	DT0226-001	Screw M4 x 8mm	2
	D	047301-842	Spring pin M3	1
16014	E	DT0108-001	Gear, ejector	1
	F	DT0109-001	Shaft, gear	1
	G	048060-142	C-Ring M6	2
	H	DT0110-001	Assembly, knife lever	1
	I	DT0112-001	Shaft, knife roller	1
	J	048060-142	C-Ring M6	2
	K	DT0113-001	Knife roller	1
	L	018300-831	Screw M3 x 8mm	1
	M	028030-242	Lock washer M3	1
	N	026030-232	Washer M3	1
	O	DT0115-001	Spring, knife lever	1
	P	DT0116-001	Shaft, knife lever	1

Parts for Avery Dennison ST9000™ Plastic Staple® Attacher — Old Style — Motor and Drive Train

Note: Old style ST9000 have the Style Number 10646-0, which is printed on the machine.

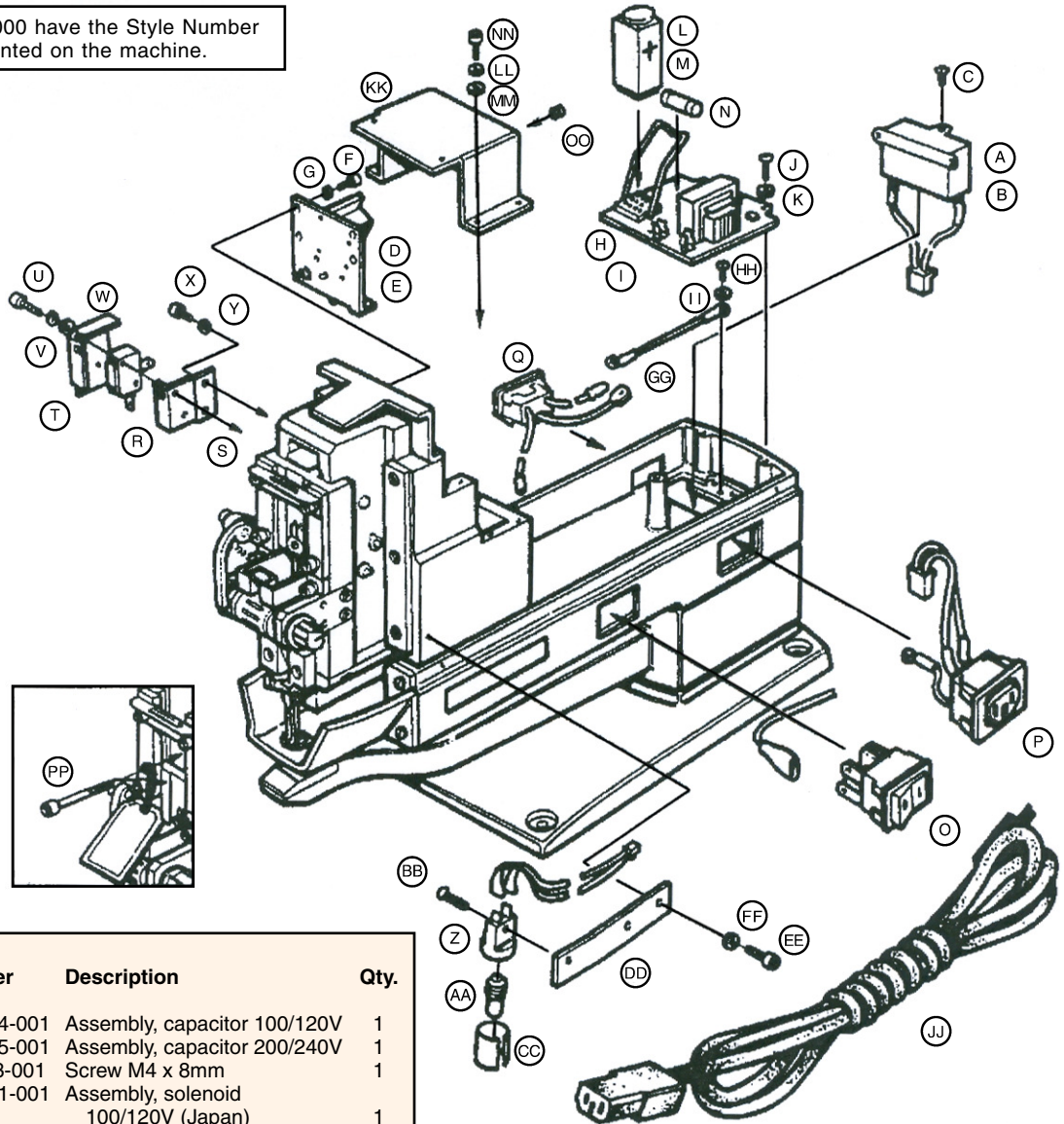


Univ. Number	Fig.	Part Number	Description	Qty.
16022	A	DT0202-001	Subassembly, mount	1
	B	DT0206-001	Support, knife cam	1
	C	DT0149-001	Pawl spring	1
	D	150613-001	Spring post	2
16033	E	012300-531	Screw M3 x 5mm	1
	F	DT0207-001	Knife cam	1
	G	DT0209-001	Shaft, knife cam	1
	H	026040-136	Washer M4	1
	I	018401-031	Screw M4 x 10mm	3
	J	028040-242	Lock washer M4	3
	K	DT0210-001	Rack, stationary	1
	L	018300-831	Screw M3 x 10mm	1
	M	028030-242	Lock washer M3	1
	N	DT0211-001	Mount clamp	2
	O	DT0226-001	Screw M4 x 8mm	6
	P	225580-001	Steel tie #5	1

Univ. Number	Fig.	Part Number	Description	Qty.
	Q	DT0231-001	Bracket, front safety	1
	R	018300-831	Screw M3 x 8mm	2
	S	028030-242	Lock washer M3	2
	T	DT0232-001	Bracket, rear safety	1
	U	DT0213-001	Assembly, motor 100/120V	1
	V	DT0216-001	Assembly, motor 200/240V	1
16026	W	DT0218-001	Clutch	1
	X	047503-642	Spring pin 5x36	1
	Y	DT0219-001	Ring, motor support	1
	Z	DT0220-001	Assembly, crank arm	1
	AA	018501-231	Screw M5 x 12mm	3
	BB	028050-242	Lock washer M5	3
	CC	018068-531	Screw M6 x 85mm	4
	DD	028060-242	Lock washer M6	4
	EE	DT0224-001	Bushing, crank	1

Parts for Avery Dennison ST9000™ Plastic Staple® Attacher — Old Style — Electrical

Note: Old style ST9000 have the Style Number 10646-0, which is printed on the machine.



Univ. Number	Part Fig. Number	Description	Qty.
16027	A	DT0234-001 Assembly, capacitor 100/120V	1
	B	DT0235-001 Assembly, capacitor 200/240V	1
	C	138853-001 Screw M4 x 8mm	1
16007	D	DT0301-001 Assembly, solenoid 100/120V (Japan)	1
	E	DT0311-001 Assembly, solenoid 200/240V (USA)	1
16009	F	018401-031 Screw M4 x 10mm	4
	G	026040-136 Washer M4	4
16031	H	DT0344-001 PC board 100/120V	1
	I	DT0345-001 PC board 200/240V	1
16030	J	138853-001 Screw M4 x 8mm	3
	K	026040-136 Washer M4	3
16028	L	DT0346-001 Timer 100/120V	1
	M	DT0347-001 Timer 200/240V	1
16029	N	DT0348-001 Fuse	1
	O	DT0338-001 On/Off switch	1
16029	P	DT0317-001 Assembly Plug receptacle for power cord	1
	Q	DT0318-001 Assembly, plug receptacle for foot switch	1
16035	R	DT0320-001 Interlock switch	1
	S	DT0321-001 Bracket, interlock switch	1
16035	T	DT0340-001 Cover, interlock switch	1
	U	002301-406 Screw M3 x 14mm	2
	V	028030-242 Lock washer M3	2
	W	026030-232 Washer M3	2
	X	018400-831 Screw M4 x 8mm	2
	Y	028040-242 Lock washer M4	2
	Z	DT0322-001 Assembly, work area lamp	1
	AA	X50228-001 Lamp, work area	1
	BB	002261-405 Screw M26 x 14mm	1

Univ. Number	Part Fig. Number	Description	Qty.
16035	CC	DT0324-001 Lamp shade	1
	DD	DT0325-001 Lamp plate	1
16035	EE	018400-831 Screw M4 x 8mm	2
	FF	028040-242 Lock washer M4	2
16035	GG	DT0332-001 Ground wire, motor	1
	HH	060400-812 Screw M4 x 8mm	2
16035	II	027040-226 Lock washer	2
	JJ	7-60-4270-01 Power cord UL/CSA 200/240V (USA)	1
16035	JJ	7-60-4270-02 Power cord IEC/EC 200/240V (Europe)	1
	JJ	7-60-4270-03 Power cord Japan 100/120V	1
16035	KK	DT0225-001 Solenoid cover	1
	LL	018-300-831 Screw M3 x 8mm	6
16035	MM	028030-242 Lock washer M3	6
	NN	026030-232 Washer M3	6
16035	OO	146315-009 Plug, rubber	1
	DT0401-001	Shipping carton, Standard ST9000	1
16035	DT0408-01	Shipping carton, Vertical ST9000	1
	DT0406-001	Operator and Service Manual	1
16035	PP	DT0507-001 Screw, shipping restraint & tag	1