

PARTS AND SERVICE MANUAL

WOLF®

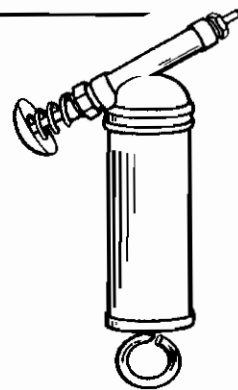
PUP "IV" PUP "V"

INSTALLATION • OPERATING MAINTENANCE INSTRUCTIONS AND PARTS LIST

Reprint September 2008

CAUTION

TO PREVENT DAMAGE to your PUP it is necessary to lubricate it after every four (4) hours of use. A Grease Gun is NOT included with this machine. If you do not possess this type of gun, please order **Grease Gun #2548100.**



Nozzle is included

WOLF
1st/Since 1888

THE WOLF MACHINE COMPANY

5570 Creek Road • Cincinnati, OH 45242 • USA

Phone: 513-791-5194 • FAX 513-791-0925

TOLL FREE 1-800-543-WOLF (9653)

e-mail: info@wolfmachine.com • Web Site: www.wolfmachine.com

WOLF PUP "IV" & "V" MAINTENANCE & OPERATING INSTRUCTIONS

WARNING

This is a hazardous type of machinery and should be used with care. Always disconnect electrical or air connector before performing repairs, adjustments or maintenance. Be sure all electrical machines are properly grounded. Never allow any part of your person or any other person to be in the path of the blade when the machine is in service. Only grip machine by the handles provided. For personal safety the operator should remove all loose fitting jewelry, shouldn't wear loose or baggy fitting clothing and persons with long hair should cover or pull it back.

LUBRICATION

It is necessary to lubricate the gears of the PUP and also the backside of the blade. To lubricate blade, apply oil through the hole in side of the cutting head. To grease knife gear, apply grease through the fitting provided at the front of the cutting head. **KNIFE GEAR SHOULD BE GREASED AFTER EVERY FOUR HOURS OF USE TO INSURE PROPER LIFE OF THE GEAR.**

TO MAINTAIN BEST CUTTING PERFORMANCE

To maintain top performance, replace the knife on the PUP machine as the knife starts to become round and the blades' corners begin to wear away. The PUP will cut best when the corners of the knife are maintained as definite angles with little or no rounding. When the knife is used with a worn blade, the cutting edge will make contact further back on the carbide insert in the shoe and start uneven wear. This causes a loss of the scissor action and almost all cutting power is lost.

TO REMOVE AND REPLACE BLADE

To remove blade, take out the grinder bracket screw that holds the bracket to the head. After grinder bracket is removed, use the pin wrench, supplied with the machine, and remove the knife lock nut. The knife can then be removed. Before replacing the grinder housing, be sure that the grinding wheel is clean. When grinding wheel is worn, replace it. This will save knife blade replacement and keep cutting at top performance.

TO REPLACE GRINDING WHEEL

Remove grinder housing from machine, then loosen set screw in grinder knob and remove from shaft. Next remove #1216193 - snap ring from end of wheel shaft and take off worn out grinding wheel.

Lubricate shaft on new wheel, then replace snap ring and knob in grinder housing. Check to make sure wheel rotates freely. Remount grinder housing to head.

Sharpen knife to a good keen edge on the corners only. If any additional repairs or problems are encountered, it would be advisable to return the machine to the factory for repairs.

For best results use only genuine Wolf knife blades and parts.

TO USE WITHOUT FOOTPLATE

For more intricate types of trimming it may be desirable to use the machine without the small footplate provided. In order to remove this footplate, use small wrench to loosen screws at the side of the plate. Keep knife properly adjusted and sharp for best results in cutting.

ELECTRIC MODEL — MAINTENANCE and OPERATION

Operator should use care in operating the machine and not cover the air exhaust holes of the motor with fingers while using the machine. If this is done it will cause the machine to get excessively hot and may burn out the motor. The air inlet holes should be kept clear of lint at all times so that air can get in to cool the motor while running.

DISASSEMBLY OF MOTOR

For replacement of brushes, switch or line wire

Disassemble by removing the 3 small screws around the outside at the front of the motor. This will allow the motor case to be slipped back, off the motor. Caution should be taken when removing this, so as not to force or put too much pressure on the wires. Also see that wires are in proper position when replacing case. When replacing outer housing, be sure that vent holes are open and not covered so that the exhaust air can blow freely from motor.

AIR MODEL INSTALLATION

For top performance, 90 lbs. of air pressure (10 cubic feet per minute) should be supplied for each machine in continuous operation. A filter lubricator and regulator is recommended. These are available from The Wolf Machine Co. for all Air Model PUP installations.

Air handle position may be rotated as desired. Loosen the two screws (#9900123) that hold front head, then rotate to desired position and retighten.

PUP "IV" & "V" PARTS LIST

Part No.	Qty	Description	Part No.	Qty	Description
1107600	1	Male Plug with Guard	2541000	1	Grinder Kit less Housing
1216193	1	Retaining Ring	2542500	1	Grinding Wheel
1221900	1	Bearing	2543000	1	Wear Washer
1222193	1	Retaining Ring	2544193	1	Bearing
1272793	1	'E' Retaining Ring	2545500	1	Plunger Spring
1426371	1	Pup Knife Blade - HSS	2547500	1	Plunger
1426573	1	Knife Blade - Teflon coated	2548000	1	Grinder Knob
2110503	1	Allen Wrench	2548100	1	Grease Gun (Nozzle included)
2500017	1	Head Complete - Air	2548200	1	Nozzle
2514450	1	Handle Extension Complete	2560001	1	Air Motor Adaptor
2514460	1	Handle Extension w/Bracket	2560002	1	Felt Exhaust Silencer
2518000	1	Worm	2560101	1	Locking Sleeve
2522000	1	Compression Spring	2560593	1	Bearing
2524093	1	Bearing	2560693	1	Retaining Ring
2527000	1	Knife Nut	2561000	1	Shaft Extension
2528000	1	Wrench - Knife Nut	2561500	1	Coupling Spacer
2529000	1	Wiper Felt	2564000	1	Wiper - Air
2531000	1	Wiper - Electric	2567800	1	Retractable Cord
2531560	1	Blade Support S.A.	2570061	1	Air Motor Complete
2535000	1	Foot	2571000	1	Lever
2536000	3	Allen Screw	2571500	1	Rivet
2536100	1	Insulator Complete	2572500	1	Bushing - Air Pup
2536300	1	Armature & Winding Assembly - 110 Volt	2573150	1	Housing & Bushing S.A.
2536400	1	Armature & Winding Assembly - 220 Volt	2573500	1	Washer
2536500	2	Carbon Brush	2574000	1	Plug
2536600	2	Spring	2574500	1	Air Regulator
2536700	1	Cord Cover	2575000	1	'O'Ring
2536800	1	Holder	2575500	1	Spring
2536900	1	Grip	2578550	1	Valve Assembly
2537000	1	Long Flat Head Screw	2580059	1	Lever Head Sub-assembly (includes 2578550, 2575500, 2575000, 2574500, 2574000, 2573500, 2573150, 2571500, and 2571000)
2537100	1	Short Flat Head Screw	2582000	1	Coupling - Air Pup
2537200	2	Round Head Screw	2582500	1	Bearing
2537300	1	Nut	2583000	1	End Plate
2537400	1	Terminal	2583500	1	Roll Pin
2537500	1	Cord - 110 Volt, 2 Wire	2584000	1	Cylinder
2537600	1	Cord - 220 Volt, 2 Wire	2585050	1	Cylinder & Pin Assembly (includes 2583500 and 2584000)
2537700	1	Cord - 220 Volt, 3 Wire			
2537800	1	Micro Switch			
2537900	1	Condenser			
2538000	1	Motor Case Complete			
2538100	1	Switch Cover			
2538200	3	Socket Head Screw			
2538300	1	Spring Plate			
2538400	1	Motor Case with Bushing			
2540000	1	Grinder Housing			
2540550	1	Grinder Kit Complete			

(Continued next page)

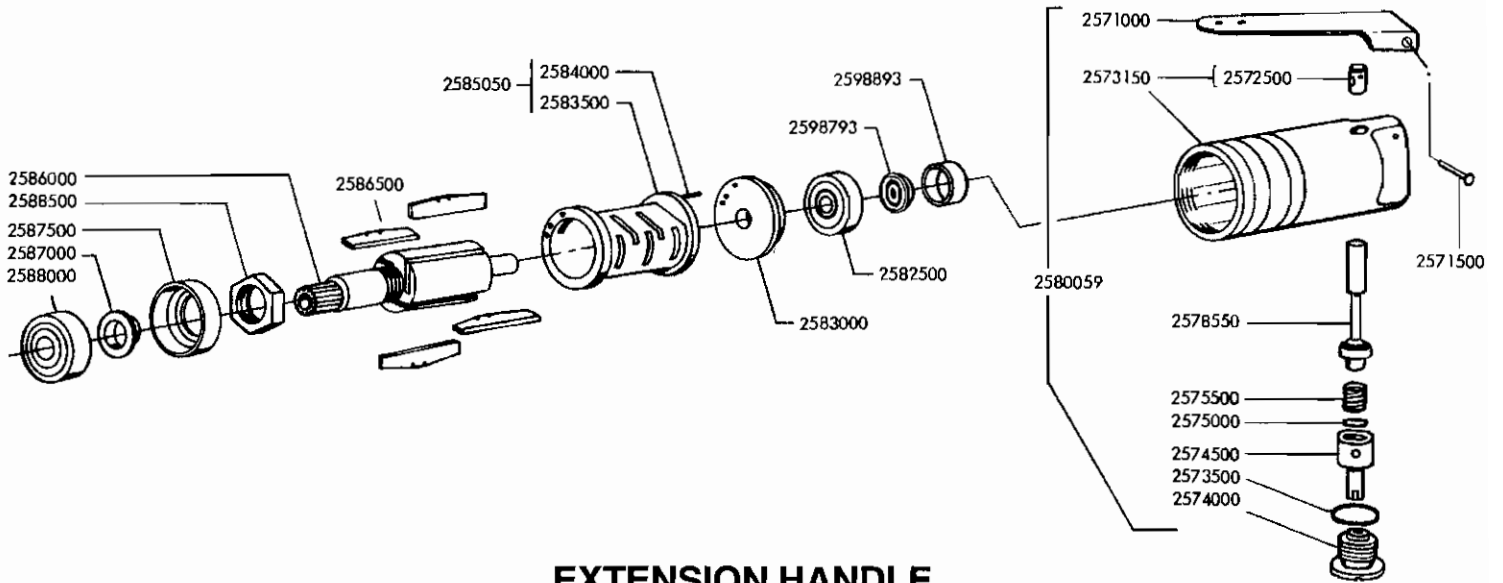
PUP "IV" & "V" PARTS LIST

Part No.	Qty	Description	Part No.	Qty	Description
2586000	1	Rotor	2596800	1	Motor Complete - 220 Volt
2586500	4	Blade	2596810	1	Allen Wrench - 2mm
2587000	1	Spacer	2596820	1	Allen Wrench - 3mm
2587500	1	End Plate	2597100	1	Worm Gear - IV
2588000	1	Bearing	2597300	1	Nylon Coupling
2588500	1	Nut Spindle	2597400	2	Mounting Screw
2590500	1	Spacer	2597700	1	Grinder Housing
2590600	1	Pressure Ring	2597760	1	Grinder Kit Complete
2590700	2	Washer	2598793	1	Loading Washer - Air
2591793	1	Switch	2598700	1	Guard
2591800	1	Switch Box	2598800	1	Pivot Spacer
2591900	1	Switch Cover	2598893	1	Plastic Bearing Cover - Air
2592200	1	Hand Grip	6361201	1	Grease Fitting
2592700	1	Strain Relief	9900123	3	Mounting Screw
2593000	1	Knife Gear 'IV'	9900337	2	Flat Head Screw
2593160	1	Knife Shaft S.A.	9900339	2	Screw to attach Support
2593260	1	Blade Adaptor	9900801	1	Pan Head Screw
2593300	2	Dowel Pin	9900817	2	Screw
2593560	1	Pup Head w/Liner & Sleeve - Electric	9901731	1	Sleeve Nut
2593600	1	Sleeve	9901750	1	Stop Nut
2593800	1	Sleeve Nut	9901817	3	Screw
2593960	1	Pup Head w/Liner & Sleeve - Air	9901819	2	Set Screw
2594500	1	Worm Gear 'V'	9901984	2	Washer
2594600	1	Knife Gear 'V'	9902000	1	Roll Pin
2596007	1	Head Complete - Electric only	9902013	1	Roll Pin
2596133	1	Trigger Screw			
2596700	1	Motor Complete - 110 Volt			

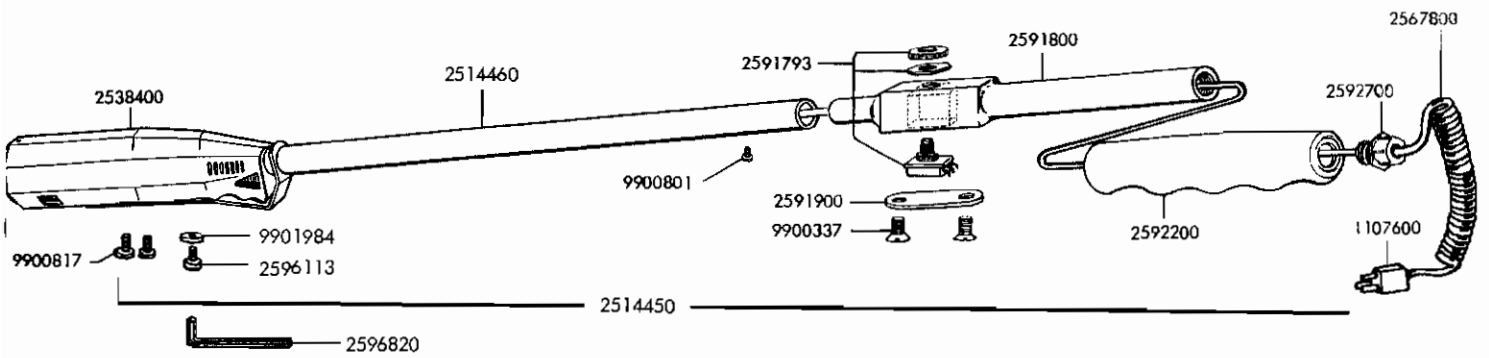
**WHEN ORDERING PARTS - SPECIFY PART NUMBER,
DESCRIPTION AND MACHINE SERIAL NUMBER.**

PUP "IV" & "V" PARTS DIAGRAM

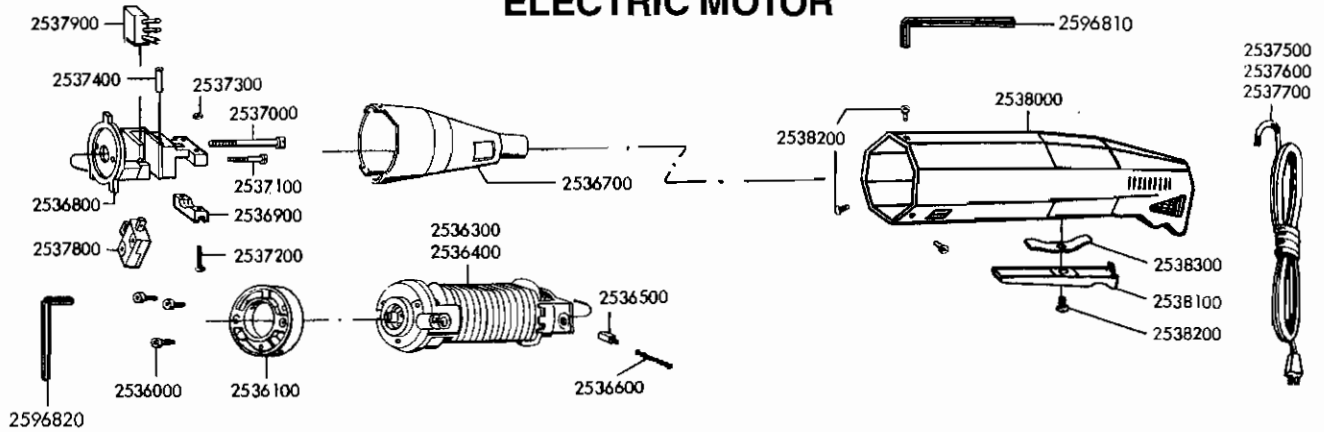
AIR MOTOR



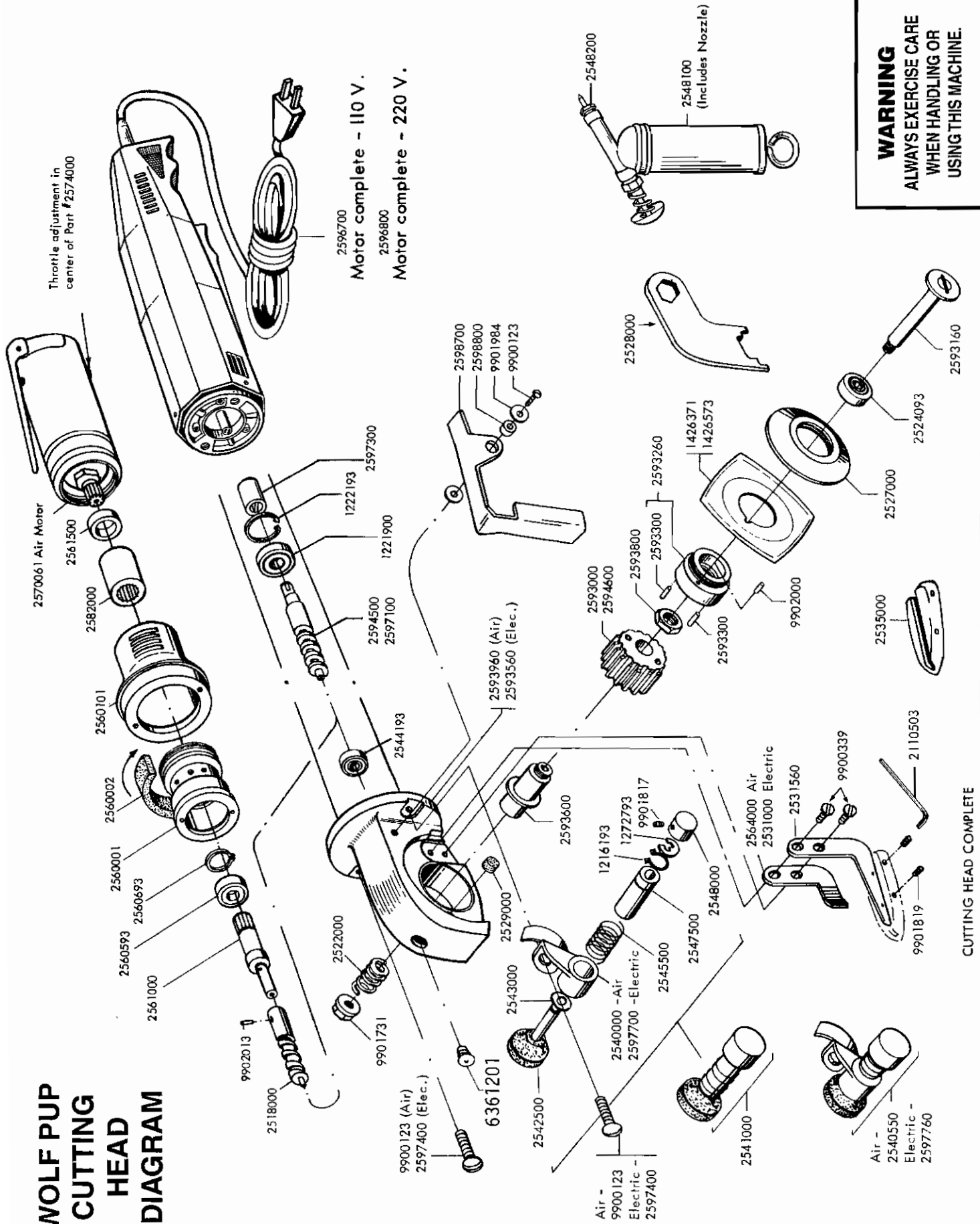
EXTENSION HANDLE



ELECTRIC MOTOR



WOLF PUP CUTTING HEAD DIAGRAM



WARNING
ALWAYS EXERCISE CARE
WHEN HANDLING OR
USING THIS MACHINE.

CUTTING HEAD COMPLETE
2500017 for AIR Machine
2596007 for ELECTRIC Machine