

Table 2-3. Remote Unit Outdoor Mounting Shelf User Interface

REF NO	DEVICE	FUNCTIONAL DESCRIPTION
1	STM mounting slot	Provides a mounting point for the STM module.
2	LPA mounting slot	Provides a mounting point for the LPA module.
3	Grounding lug	Provides a connection point for an external grounding cable.
4	AC power cable	Provides AC power to the STM.
5	WDM mounting slot	Provides a mounting point for the WDM module.
6	CWDM mounting slot	Provides a mounting point for the CWDM module.
7	CWDM power cord	Provides DC power to the CWDM module.

5 SPECTRUM TRANSPORT MODULE

The Spectrum Transport Module (STM), shown in [Figure 2-7](#), provides the following basic functions:

- Provides an RF interface (antenna ports) to the remote antenna(s).
- Provides an optical interface to the HU.
- Converts the digitized forward path optical signal to a digitized RF signal.
- Converts the digitized RF signal to a composite RF signal.
- Digitizes the reverse path composite RF signal.
- Converts the digitized reverse path RF signal to a digitized optical signal.
- Provides an RS-232 interface for connecting a local DEMS computer.
- Transports alarm, control, and monitoring information via the optical link.
- Provides AC power input.
- Provides external alarm input.

5.1 Primary Components

The STM consists of an electronic circuit board assembly, power supply, duplexer, and fan assembly that are mounted within a powder-paint coated sheet metal enclosure. The metal enclosure provides a mounting point for the electronic components and controls RF emissions. Except for the fan unit, the electronic components are not user replaceable. The STM is designed for use within the RU outdoor cabinet or indoor mounting shelf. Except for the LPA interface connector, all controls, connectors, indicators, and switches are mounted on the STM front panel for easy access. A carrying handle is provided on the front of the STM to facilitate installation and transport.

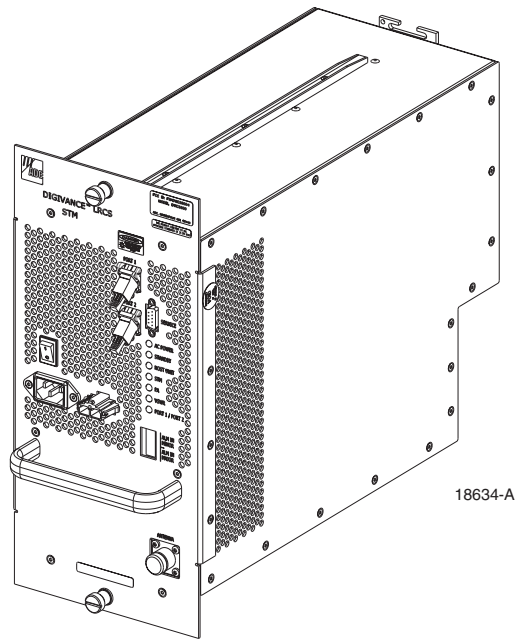


Figure 2-7. Spectrum Transport Module

5.2 Mounting

The STM mounts within the RU outdoor cabinet or indoor mounting shelf. A runner on the bottom of the STM meshes with a track inside the cabinet/mounting shelf. The runner and track guide the STM into the installed position. The electrical interface between the STM and LPA is supported by a D-sub female connector located on the rear side of the STM. A corresponding D-sub male connector mounted at the rear of the RU cabinet/mounting shelf mates with the STM connector. Captive screws are provided for securing the STM in the installed position.

5.3 Fault Detection and Alarm Reporting

The STM detects and reports various faults including remote unit fault, optical fault, power fault, temperature fault, power amplifier fault, and external (door open) fault. Various front panel Light Emitting Diode (LED) indicators turn from green to red or yellow if a fault is detected. The status of the STM, the alarm state (major or minor), and other alarm information is summarized and reported over the optical fiber to the HU and also over the service interface. In addition, the alarm state of the HU is received over the optical fiber and reported to the service interface. This information may be accessed remotely through the NOC/NEM interface or locally through the DEMS software GUI.

5.4 Antenna Cable Connection

The antenna cable connections between the STM and the antenna are supported through one N-type female connector which carries both the forward and reverse path RF signals. When installed in the RU outdoor cabinet, the STM does not connect directly to the antenna but

instead connects to a lightning protector that is mounted on the bottom of the cabinet (see [Section 3.6](#)). A coaxial jumper cable is provided (included with the enclosure) for connecting the STM connector to the lightning protector.

5.5 RF Signal Level Adjustment

The STM is equipped with a digital attenuator for adjusting the signal level of the forward path RF **output** signal. The **remote forward path** attenuator adjusts the level of the output RF signal at the RU antenna port and will add from 0 to 31 dB of attenuation to the output signal level. The attenuator can be set in 1 dB increments. The attenuator is software controlled and is adjusted through the NOC/NEM interface or the DEMS software GUI.

5.6 Optical Connection

Fiber optic connections between the STM and the HU are supported through two SC-type optical connector ports. One port is used for connecting the forward path optical signal and the other port is used for connecting the primary reverse path optical signal.

5.7 Service Interface Connection

The service interface connection between the STM and a local laptop computer loaded with the DEMS software is supported by a single DB-9 female connector. The service interface connector provides an RS-232 DTE interface. The STM service interface connector supports local communications with both the STM and the corresponding HU.

5.8 Powering

The STM is powered by 120 or 240 Vac (50 or 60 Hz) power which is supplied through a three-conductor AC power cord. The power cord is provided with the RU outdoor cabinet or indoor mounting shelf. The power cord connects to an AC connector mounted on the STM front panel. A switch on the STM front panel provides AC power On/Off control.

5.9 Cooling

Continuous air-flow for cooling is provided by a single fan mounted on the rear side of the STM housing. An alarm is provided that indicates if a high temperature condition (>50° C/122° F) occurs. If the temperature falls below 32° F (0° C), the fan automatically shuts off. The fan may be field replaced if it fails.

5.10 User Interface

The STM user interface consists of the various connectors, switches, and LEDs that are provided on the STM front panel. The STM user interface points are indicated in [Figure 2-8](#) and described in [Table 2-4](#).

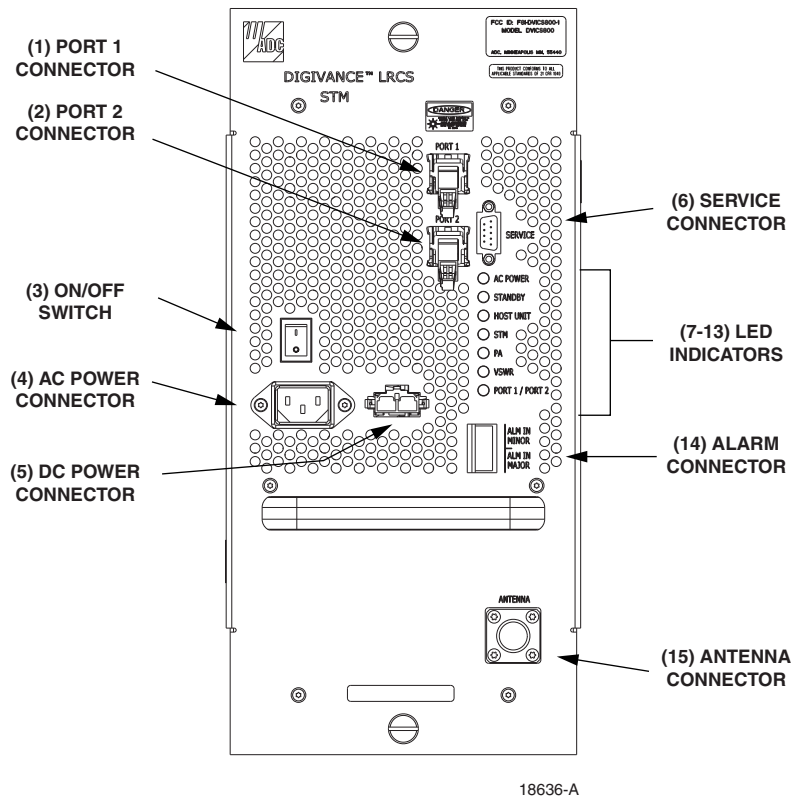


Figure 2-8. Spectrum Transport Module User Interface

Table 2-4. Spectrum Transport Module User Interface

REF NO	USER INTERFACE DESIGNATION	DEVICE	FUNCTIONAL DESCRIPTION
1	PORT 1	SC connector (single-mode)	Input connection point for the forward path optical fiber.
2	PORT 2	SC connector (single-mode)	Output connection point for the reverse path primary optical fiber.
3	I/O	On/Off rocker switch	Provides AC power on/off control.
4	No designation	3-wire AC power cord connector	Connection point for the AC power cord.
5	No designation	2-wire DC power cord connector	Connection point for a back-up battery power cord. (Not used with 20 Watt system)
6	SERVICE	DB-9 connector (female)	Connection point for the RS-232 service interface cable.
7	AC POWER	Multi-colored LED (green/red)	Indicates if the STM is powered by the AC power source (green) or the back-up battery system (red). See Note.

Table 2-4. Spectrum Transport Module User Interface, continued

REF NO	USER INTERFACE DESIGNATION	DEVICE	FUNCTIONAL DESCRIPTION
8	STANDBY	Multi-colored LED (green/yellow/red)	Indicates if the system is in the Normal state (off) Standby state (blinking green), Test state (blinking red), or Program Load state (blinking yellow). See Note.
9	HOST UNIT	Multi-colored LED (green/yellow/red)	Indicates if no alarm (green), a minor alarm (yellow), or a major alarm (red) is reported by the HU. See Note.
10	STM	Multi-colored LED (green/yellow/red)	Indicates if the STM is normal (green) or faulty (red). See Note.
11	PA	Multi-colored LED (green/yellow/red)	Indicates if the power amplifier is normal (green), over temperature (yellow), has a fan failure (yellow), or is faulty (red). See Note.
12	VSWR	Multi-colored LED (green/yellow/red)	Indicates if the forward path VSWR is above (red) or below (green) the fault threshold.
13	PORT 1/PORT 2	Multi-colored LED (green/yellow/red)	Indicates if the forward path optical signal received from the HU is normal (green) or if errors are detected (red). See Note.
14	ALARM IN MINOR ALARM IN MAJOR	Screw-type terminal connector (14–26 AWG)	Connection point for two external alarm inputs. The door-open switch lead wires are typically connected to the major alarm terminals.
15	ANTENNA	N-type female RF coaxial connector	Connection point for the antenna.
Note: A more detailed description of LED operation is provided in Section 5.			

6 LINEAR POWER AMPLIFIER

The Linear Power Amplifier (LPA), shown in [Figure 2-9](#), works in conjunction with the STM to amplify the forward path RF output signal. The STM is interfaced with the LPA through the D-sub connectors and wiring harness located at the rear of the RU cabinet/mounting shelf. The RF signal is passed to the LPA for amplification and then passed back to the STM for filtering and output via the STM's ANTENNA port. The STM also supplies DC power to the LPA through the same interface.

6.1 Primary Components

The LPA consists of several electronic circuit board assemblies and one fan that are mounted within a powder-paint coated sheet metal enclosure. The metal enclosure provides a mounting point for the electronic components and controls RF emissions. Except for the fan unit, the electronic components are not user replaceable. The LPA is designed for use within the RU outdoor cabinet or indoor mounting shelf. Except for the STM interface connector, all controls, indicators, and switches are mounted on the LPA front panel for easy access. A carrying handle is provided on the front of the LPA to facilitate installation and transport.

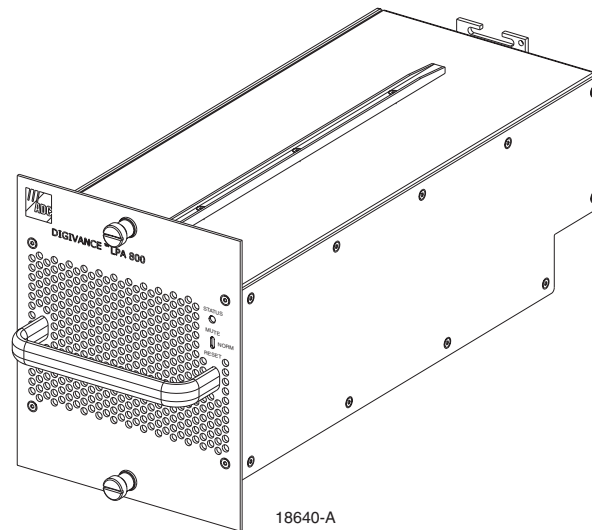


Figure 2-9. Linear Power Amplifier

6.2 Mounting

The LPA mounts within the RU outdoor cabinet or indoor mounting shelf. Runners on the top and bottom of the LPA mesh with tracks. The runners and tracks guide the LPA into the installed position. The electrical interface between the STM and LPA is supported by a D-sub female connector located on the rear side of the LPA. A corresponding D-sub male connector mounted at the rear of the RU cabinet/mounting shelf mates with the LPA connector. Captive screws are provided for securing the LPA in the installed position.

6.3 Fault Detection and Alarm Reporting

The LPA in conjunction with the STM detects and reports various faults including power amplifier fault, output power fault, temperature fault, and fan fault. A single Light Emitting Diode (LED) indicator, located on the front panel of the LPA, turns from green to red or yellow if an LPA fault is detected. The status of the LPA, the alarm state (major or minor), and other information is summarized and reported (by the STM) over the optical fiber to the HU and also to the service interface. This information may be accessed remotely through the NOC/NEM interface or locally through the DEMS software GUI.

6.4 Powering

The LPA is powered by various DC voltages which are supplied by the STM over the electrical interface provided by the D-sub connectors and wiring harness mounted within the RU cabinet/mounting shelf.

6.5 Cooling

Continuous air-flow for cooling is provided by a fan mounted at the front of the LPA housing. Cool air is pulled into the module from the front and heated air is exhausted out the back. An alarm is provided that indicates if a high temperature condition (>50° C/122° F) occurs or if a fan failure occurs. The fan may be field replaced if it fails.

6.6 User Interface

The LPA user interface consists of an LED indicator and a switch that are mounted on the LPA front panel. The LPA user interface points are described in [Table 2-5](#) and indicated in [Figure 2-10](#).

Table 2-5. Linear Power Amplifier User Interface

REF NO	USER INTERFACE DESIGNATION	DEVICE	FUNCTIONAL DESCRIPTION
1	STATUS	LED indicator (green, yellow, and red)	Indicates the operational state of the LPA and whether or not there are any faults.
2	MUTE NORM RESET	3-position switch with one momentary contact position	Placing the switch in the MUTE position puts the LPA in the shutdown state with RF output disabled. With the switch in MUTE, the STM can not control the LPA output power. Placing the switch in the NORM position puts the LPA in the normal state and allows the STM to enable and disable the RF output. Momentarily placing the switch in the RESET position clears all alarms and restarts the LPA.

Note: A more detailed description of the STATUS LED is provided in Section 5.

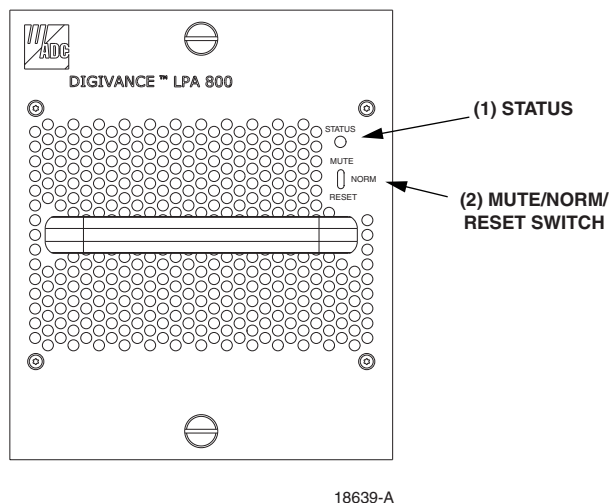


Figure 2-10. Linear Power Amplifier User Interface

7 INTERFACE PANELS (ACCESSORY)

The interface panels are accessory items that are used when multiple BTS's and multiple HU's require connection or when RF attenuation is needed between the BTS and HU. Two types of panels are available: the Conditioning Panel and the Duplexing Panel. The Conditioning Panel, shown in [Figure 2-11](#), provides attenuation of the forward path signal to the level required for input to the HU. The Conditioning Panel also provides forward and reverse path combining and splitting (as needed) to enable multi-BTS to single HU, multi-BTS to multi-HU, or single BTS to multi-HU configurations.

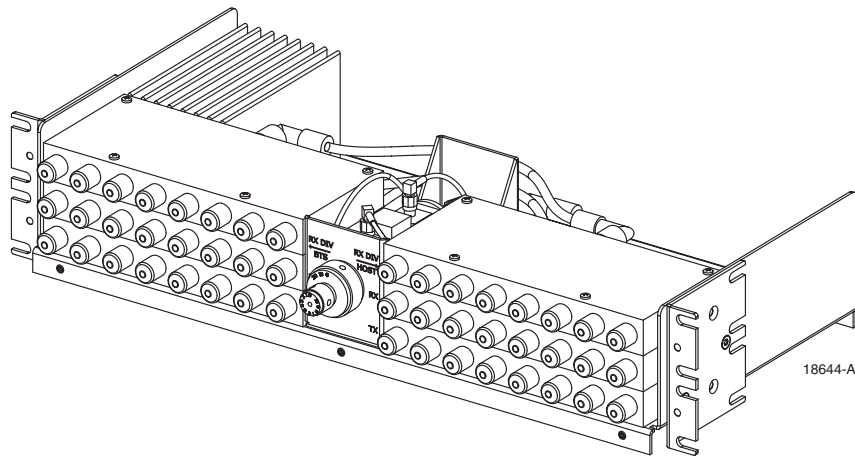


Figure 2-11. Conditioning Panel

The Duplexing Panel, shown in [Figure 2-12](#), is used in conjunction with the Conditioning Panel when the BTS provides a duplexed forward and reverse path RF connection. The Duplexing Panel separates the duplexed forward and reverse path signals. This allows the BTS to be connected to the HU which has separate forward and reverse path RF ports. For complete information about the Conditioning Panel and Duplexing Panel, refer to the Digivance RF Transport Solution 800 and 1900 MHz Interface Panels User Manual (ADCP-75-144).

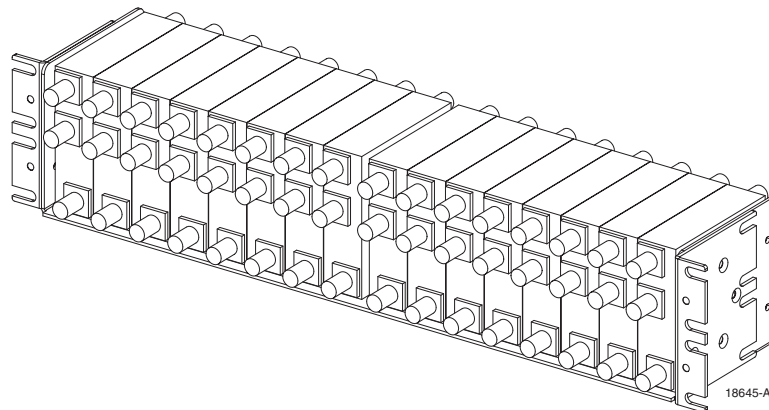


Figure 2-12. Duplexing Panel

8 WAVELENGTH DIVISION MULTIPLEXER (ACCESSORY)

The Wavelength Division Multiplexer (WDM) module, shown in [Figure 2-13](#), is an accessory item that is used in applications when it is desirable or necessary to combine the forward and reverse path optical signals from one Digivance system onto a single optical fiber. Each WDM consists of a bi-directional wavelength division multiplexer mounted within a power-paint coated sheetmetal enclosure. A single SC-type optical connector port is provided for connecting the forward/reverse path optical fiber to the WDM module. A pair of pigtail leads with SC-type connectors are provided for connecting the WDM module to the forward and reverse path optical ports on the HU or STM.

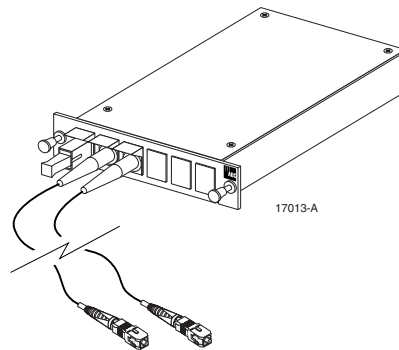


Figure 2-13. Wavelength Division Multiplexer Module

In WDM applications, a WDM module must be installed at both the HU and the RU locations. A mounting shelf, shown in [Figure 2-14](#), is available for mounting WDM modules in the same equipment rack as the HU. Each WDM module mounting shelf can support two WDM modules. Both the RU outdoor cabinet and indoor mounting shelf provide a mounting slot for installing a WDM module.

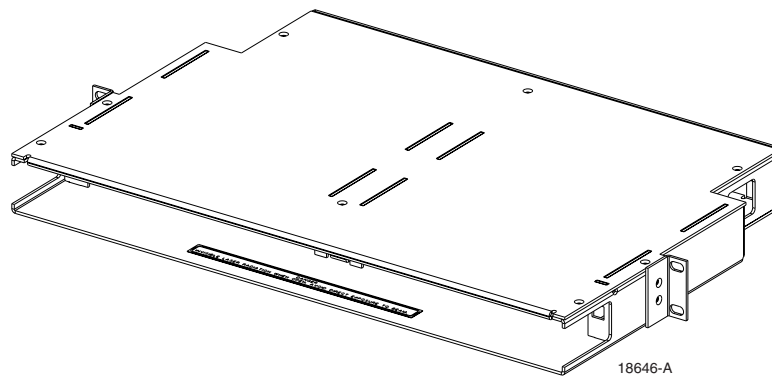


Figure 2-14. WDM Module Mounting Shelf

9 COARSE WAVELENGTH DIVISION MULTIPLER SYSTEM (ACCESSORY)

The Coarse Wavelength Division Multiplexer (CWDM) system is an accessory that is used when it is desirable or necessary to combine the forward and reverse path optical signals from up to four Digivance systems onto a single optical fiber. Each CWDM system consists of a CWDM Host module, CWDM Host module mounting shelf, and CWDM Remote module. The CWDM Host module mounting shelf can support up to three CWDM Host modules. Both the RU outdoor cabinet and indoor mounting shelf provide a mounting slot for installing a CWDM Remote module.

The CWDM Host Module and Host Module Mounting Shelf are shown in [Figure 2-15](#). The CWDM Remote Module is shown in [Figure 2-16](#). For complete information about the CWDM system, refer to the Digivance System Coarse Wavelength Division Multiplier User Manual (ADCP-75-142).

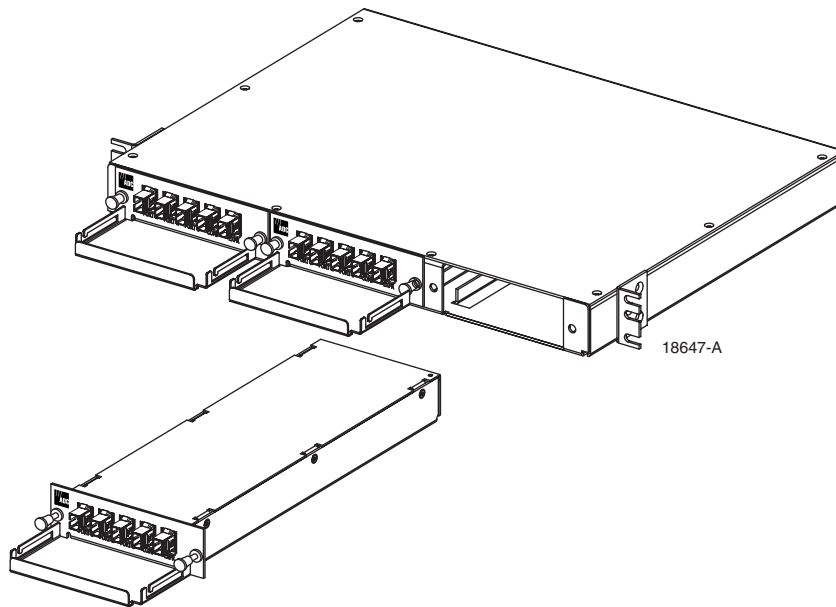


Figure 2-15. CWDM Host Module and Host Module Mounting Shelf

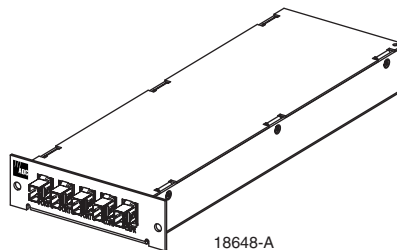


Figure 2-16. CWDM Remote Module

10 DIGIVANCE ELEMENT MANAGEMENT SYSTEM

The Digivance Element Management System (DEMS) is a network management tool that provides control and monitoring functions for the Digivance system. The DEMS is used to provision and configure new systems for operation, set system operating parameters, get system alarm and status messages, and upgrade the system software. The DEMS supports both local control by an on-site service technician and remote control by a Network Operations Center (NOC).

10.1 Primary Components

The DEMS, shown in [Figure 2-17](#), consists of a PC-type desk-top computer (not provided) that is loaded with the DEMS software. The DEMS software is stored on a CD-ROM that is shipped with the HU. The DEMS software must be installed on the DEMS computer along with the Java 2 Version 1.3.1 Runtime Environment software which is also provided. Installation consists of inserting the CD-ROM into the computer's CD-ROM drive and then running the software install programs. This places the Java 2 Runtime Environment and DEMS software files in assigned folders on the computer's hard drive.

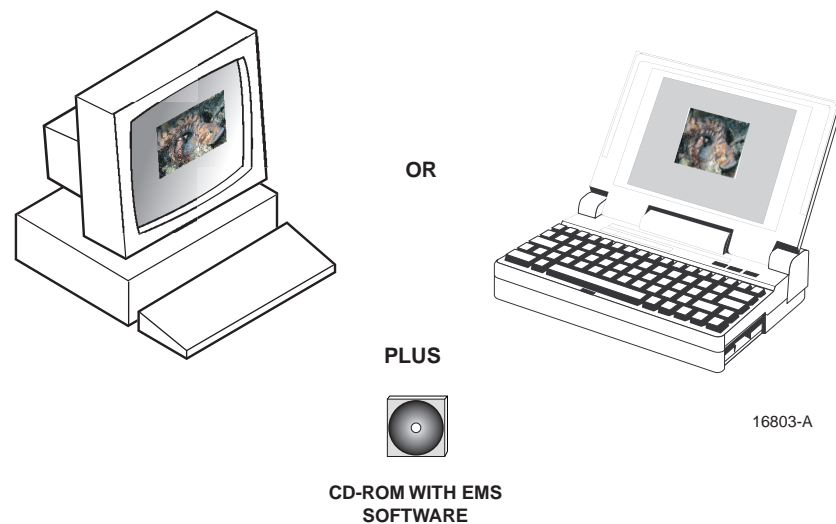


Figure 2-17. Alarm Network Unit

The DEMS software may also be installed on a PC-type lap-top computer (not provided). A lap-top version of the DEMS computer can be used as a portable network management tool for service and maintenance purposes. A laptop DEMS computer can be connected temporarily to a system to enter the initial configuration data or to trouble-shoot problems and then removed when the task is completed. Permanent control and monitoring functions would be provided by the desk-top DEMS computer.

10.2 Service Interface Connection

The service interface connection between the DEMS computer and the HU or RU requires that the DEMS computer be equipped with a DB-9 connector that is configured to provide an RS-232 DCE interface. A straight-through RS-232 interface cable (accessory item) equipped with a male DB-9 connector on one end and a PC-compatible connector on the other end is required to link the DEMS computer to the HU. When multiple HUs are networked together, the DEMS computer may be connected to the service connector on any one of the networked HUs.

10.3 NOC Interface Connection

The NOC interface connection between the DEMS computer and the NOC requires that the DEMS computer be equipped with a connector that is configured to provide an RS-232 ASCII interface. The link between the DEMS computer and the NOC would generally be supported by a data network. Cables and equipment (not provided) to support the RS-232 interface connection between the DEMS computer and the data network or dial-up modem are required.

10.4 DEMS Software User Interface

The DEMS software provides two user interfaces: the Graphical User Interface (GUI) and the Network Operation Center-Network Element Manager (NOC/NEM) interface. Both interfaces provide essentially the same functionality except only the GUI can upgrade the Digivance system with new system software. In addition, only the NOC/NEM interface can record and playback alarm data.

The GUI is presented at the DEMS computer or on a laptop computer. The GUI is used for **local** control and monitoring operations. The GUI consists of a series of displays and screens, such as the one shown in [Figure 2-18](#), that provide the user with alarm and status information and that allow the user to set various operating parameters.

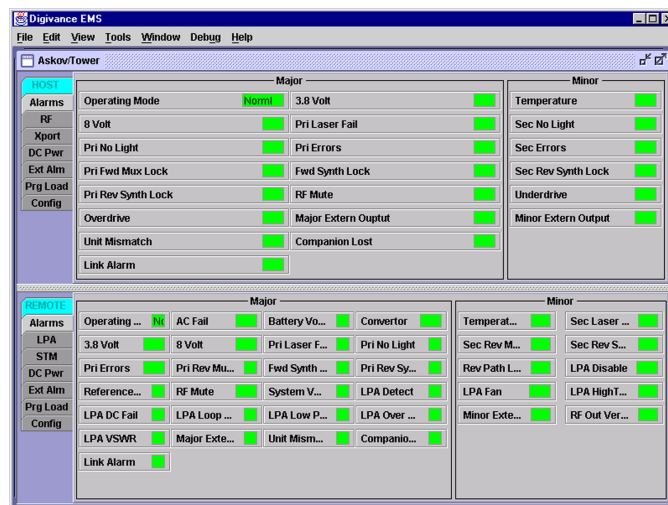


Figure 2-18. DEMS Graphical User Interface Host/Remote Display