



# InterReach Fusion<sup>®</sup> Wideband

Installation, Operation, and Reference Manual

TECP-77-044 · Issue 7 · May 2013



## Copyright

© 2013 TE Connectivity, Inc. All Rights Reserved.

Information contained in this document is company private to TE Connectivity Ltd., and shall not be modified, used, copied, reproduced or disclosed in whole or in part without the written consent of TE.

## Trademark Information

FlexWave, FlexWave Prism, InterReach Spectrum, InterReach Unison, Universal Radio Head, TE Connectivity, and TE connectivity (logo) are trademarks.

All other logos, products and/or company names referred to herein might be trademarks of their respective owners.

## Disclaimer of Liability

TE is a registered trademark and InterReach, InterReach Unison, InterReach Fusion, WAVEXchange, FlexWave are registered trademarks and trademarks of TE Connectivity. All other products, company names, service marks, and trademarks mentioned in this document or website are used for identification purposes only and may be owned by other companies.

## REVISION HISTORY

ISSUE	DATE	REASON FOR CHANGE
1	7/2008	First release
2	10/2008	Add Fusion Wideband 1900/AWS product content
3	8/2009	Add Fusion Wideband 700/AWS and 700 MIMO product content
4	5/2010	Add Fusion Wideband 700 (Lower ABC) MIMO product content
5	9/2011	Add Fusion Wideband 2600 MIMO product content
6	11/2012	Add Fusion Wideband 700 ABC/AWS HP/AWS HP and Fusion Wideband 700 UC/AWS HP/AWS HP product content
7	4/2013	Add Fusion Wideband 2100 HP/1800 HP and Fusion Wideband 850/1900 HP/AWP HP product content

## LIST OF CHANGES

The technical changes incorporated into this issue are listed below.

PAGE	IDENTIFIER	DESCRIPTION OF CHANGE
		Add Fusion Wideband 2100 HP/1800 HP and Fusion Wideband 850/1900 HP/AWP HP product content

# TABLE OF CONTENTS

<b>Preface</b>	<b>1</b>
<b>Purpose and Scope</b>	<b>2</b>
<b>TE Customer Portal</b>	<b>3</b>
<b>Conventions in this Manual</b>	<b>4</b>
Measurements	4
Document Cautions and Notes	4
Document Fonts	4
<b>Standards Conformance</b>	<b>5</b>
<b>Related Publications</b>	<b>6</b>
<b>InterReach Fusion Wideband System Description</b>	<b>7</b>
<b>System Overview</b>	<b>8</b>
<b>System Hardware Description</b>	<b>10</b>
<b>System OA&amp;M Capabilities Overview</b>	<b>12</b>
System Monitoring and Reporting	13
Using Alarm Contacts	14
<b>System Connectivity</b>	<b>15</b>
<b>System Operation</b>	<b>16</b>
<b>System Specifications</b>	<b>17</b>
<b>RF End-to-End Performance</b>	<b>20</b>
2100/1800 RAU (FSN-W1-2118-1)	20
2100 HP/1800 HP (FSN-W1-2118-1-HP)	21
2100 High Power RAU (FSN-W1-21HP-1)	22
1900/AWS RAU (FSN-W1-1921-1)	22
800/850/1900 RAU (FSN-W2-808519-1)	23
700/AWS RAU (FSN-W2-7021-1)	24
700/700 (Upper C) MIMO RAU (FSN-W2-7575-1)	25
700/700 (Lower ABC) MIMO RAU (FSN-W2-7070-1)	25
700 ABC/AWS HP/AWS HP RAU (FSN-W4-702121-1-HP)	25
700 UC/AWS HP/AWS HP RAU (FSN-W4-752121-1-HP)	26
850/1900 HP/AWS HP RAU (FSN-W5-851921-1-HP)	27
2500/2500 RAU (FSN-2500-2-WMAX)	28
2600/2600 RAU (FSN-W3-2626-1)	28
<b>Fusion Wideband Main Hub</b>	<b>29</b>
<b>Fusion Wideband Main Hub Overview</b>	<b>30</b>
<b>Fusion Wideband Main Hub Front Panel</b>	<b>32</b>
Optical Fiber Uplink/Downlink Ports	33
Communications RS-232 Serial Connector	33
Main Hub LED Indicators	33
Unit Status LEDs	34
Fiber Port LEDs	34
Fusion Wideband Main Hub Rear Panel	35
Fusion Wideband Main Hub Rear Panel Connectors	36
9-pin D-sub Connector	36
N-type Female Connectors	36
<b>Main Hub Specifications</b>	<b>37</b>
<b>Faults, Warnings, and Status Messages</b>	<b>38</b>
Events	38
View Preference	38

<b>Fusion Wideband Expansion Hub</b>	<b>41</b>
<b>Expansion Hub Overview</b>	<b>42</b>
Expansion Hub Front Panel	44
75 Ohm Type F Connectors	45
Manufacturing RS-232 Serial Connector	45
Console Port	45
Local Monitoring	45
Optical Fiber Uplink/Downlink Connectors	45
LED Indicators	46
Unit Status and DL/UL Status LEDs	46
RJ-45 Port LEDs	48
<b>Expansion Hub Rear Panel</b>	<b>49</b>
<b>Faults, Warnings, and Status Messages</b>	<b>50</b>
<b>Expansion Hub Specifications</b>	<b>51</b>
<b>Remote Access Unit</b>	<b>53</b>
<b>Overview</b>	<b>54</b>
<b>Remote Access Unit Connectors</b>	<b>57</b>
50 Ohm Type-N Connector	57
75 Ohm Type-F Connector	57
<b>RAU LED Indicators</b>	<b>58</b>
Status LEDs	58
<b>Faults and Warnings</b>	<b>59</b>
<b>Remote Access Unit Specifications</b>	<b>60</b>
<b>Designing a Fusion Wideband Solution</b>	<b>61</b>
<b>Overview</b>	<b>62</b>
<b>Downlink RSSI Design Goal</b>	<b>64</b>
<b>Maximum Output Power per Carrier</b>	<b>65</b>
700/AWS RAU (FSN-W2-7021-1)	65
700 MHz (Upper C) MIMO RAU (FSN-W2-7575-1)	67
700 MHz (Lower ABC) MIMO RAU (FSN-W2-7070-1)	67
700 ABC/AWS HP/AWS HP RAU (FSN-W4-702121-1-HP)	68
700 UC/AWS HP/AWS HP RAU (FSN-W4-752121-1-HP)	69
800/850/1900 RAU (FSN-W2-808519-1)	70
850/1900 HP/AWS HP RAU (FSN-W5-851921-1-HP)	73
1900/AWS RAU (FSN-W1-1921-1)	75
2100/1800 RAU (FSN-W1-2118-1)	77
2100 HP/1800 HP RAU (FSN-W1-2118-1-HP)	78
2100 High Power RAU (FSN-W1-21HP-1)	79
2500/2500 WiMAX RAU (FSN-2500-2-WMAX)	79
2600 MHz MIMO RAU (FSN-W3-2626-1)	79
Designing for Capacity Growth	80
<b>System Gain</b>	<b>81</b>
<b>Estimating RF Coverage</b>	<b>82</b>
Equation 1	82
Equation 2—Path Loss Equation	83
RAU Coverage Distance	84
Equation 3	84
Equation 4—Path Loss Equation	85
Example Design Estimate for an 1900 MHz CDMA Application	87
<b>Link Budget Analysis</b>	<b>89</b>
Elements of a Link Budget for Narrowband Standards	89
Narrowband Link Budget Analysis for a Microcell Application	91
Elements of a Link Budget for CDMA Standards	93
Other CDMA Issues	95
CDMA Link Budget Analysis for a Microcell Application	96
Considerations for Re-Radiation (Over-the-Air) Systems	99

<b>Optical Power Budget .....</b>	<b>100</b>
<b>Connecting a Main Hub to a Base Station.....</b>	<b>101</b>
Uplink Attenuation .....	102
RAU Attenuation and ALC.....	102
Using the RAU 10 dB Attenuation Setting .....	103
Using the Uplink ALC Setting .....	104
<b>Installing Fusion Wideband .....</b>	<b>105</b>
<b>Installation Requirements.....</b>	<b>107</b>
Component Location Requirements.....	107
Cable and Connector Requirements.....	107
Distance Requirements .....	108
<b>Safety Precautions .....</b>	<b>109</b>
Installation Guidelines .....	109
General Safety Precautions .....	109
Fiber Port Safety Precautions .....	110
<b>Preparing for System Installation .....</b>	<b>111</b>
Pre-Installation Inspection .....	111
Installation Checklist.....	111
Tools and Materials Required.....	113
Optional Accessories .....	114
<b>Installing a Fusion Wideband Main Hub .....</b>	<b>115</b>
Installing a Fusion Wideband Main Hub in a Rack.....	115
Installing an Optional Cable Manager in the Rack.....	116
Installing a Main Hub Using the 12" Wall-Mounted Rack (PN 4712) .....	116
Installing a Fusion Wideband Main Hub Directly to the Wall.....	117
Connecting the Fiber Cables to the Main Hub .....	118
Preparing the Fiber Cables .....	118
Cleaning the Fiber Ports .....	118
Using Compressed Air.....	118
Using Isopropyl Alcohol .....	118
Cleaning the Fiber Ends .....	119
Testing the Fiber Cables .....	119
Connecting the Fiber Cables.....	119
If the fiber jumper is labeled with <b>1</b> or <b>2</b> .....	<b>119</b>
If the Fiber Jumper is Color-Coded .....	120
Making Power Connections.....	120
AC Powered Main Hub .....	120
DC Powered Main Hub and Expansion Hub.....	120
Optional Connection to DC Power Source.....	124
Powering on the Main Hub.....	126
<b>Installing Expansion Hubs .....</b>	<b>127</b>
Installing an Expansion Hub in a Rack .....	127
Installing an Expansion Hub Using the 12" Wall-Mounted Rack .....	127
Installing an Expansion Hub Directly to the Wall .....	128
Installing an Optional Cable Manager in the Rack.....	129
Powering on the Expansion Hub .....	129
Connecting the Fiber Cables to the Expansion Hub .....	130
Preparing the Fiber Cables .....	130
Connecting the Fiber Cables.....	130
If the Fiber Jumper Is Labeled with <b>1</b> or <b>2</b> .....	<b>130</b>
If the Fiber Jumper Is Color-Coded .....	131
Connecting the 75 Ohm CATV Cables.....	131
Troubleshooting Expansion Hub LEDs During Installation .....	132

<b>Installing RAUs.....</b>	<b>133</b>
Installing RAUs.....	133
Installing Passive Antennas .....	133
Location .....	133
800/850 MHz Isolation Requirements .....	134
800 MHz iDEN Downlink and 850 MHz Cellular Uplink .....	135
850 MHz Cellular Downlink and 900 MHz iDEN Uplink .....	135
Connecting the Antenna to the RAU .....	135
Connecting the CATV Cable.....	136
Troubleshooting Using RAU LEDs During Installation .....	137
<b>Configuring the Fusion Wideband System .....</b>	<b>138</b>
Connecting the PC to the Main Hub to Run AdminBrowser .....	138
Programming the Main Hub Using AdminBrowser .....	139
Using AdminBrowser .....	140
<b>Splicing Fiber Optic Cable .....</b>	<b>145</b>
Fusion Wideband Splicing of Fiber and Pigtail .....	145
Option A: Fusion Wideband Splice the Fiber-Optic Cable to the SC/APC Pigtail.....	145
Option B: Fusion Wideband Splice the Fiber-Optic Cable to the SC/APC Pigtail.....	146
<b>Interfacing the Fusion Wideband Main Hub to an RF Source .....</b>	<b>147</b>
Connecting a Single Fusion Wideband Main Hub to an RF Source .....	147
Connecting a Fusion Wideband Main Hub to an In-Building BTS.....	147
Connecting a Simplex Base Station to a Fusion Wideband Main Hub RF Band.....	148
Connecting a Duplex Base Station to a Fusion Wideband Main Hub .....	149
Connecting a Fusion Wideband Main Hub RF Band to Multiple BTSs.....	150
Connecting a Fusion Wideband Main Hub to a Roof-Top Antenna .....	151
Connecting a Fusion Wideband Main Hub to Flexwave Focus.....	152
Connecting Multiple Fusion Wideband Main Hubs to an RF Source .....	152
Connecting Multiple Fusion Wideband Main Hubs to a Simplex Repeater or BTS .....	152
Connecting Multiple Fusion Wideband Main Hubs to a Duplex Repeater or BTS.....	154
<b>Connecting Contact Alarms to a Fusion Wideband System .....</b>	<b>156</b>
Alarm Source .....	157
Using FlexWave Focus to Monitor Fusion Wideband.....	157
Using a Base Station to Monitor Fusion Wideband.....	158
Using a Base Station and AdminBrowser to Monitor Fusion Wideband .....	159
Alarm Sense.....	160
Alarm Cables.....	161
<b>Alarm Monitoring Connectivity Options.....</b>	<b>162</b>
Direct Connection.....	162
Modem Connection.....	162
Setting Up Fusion Wideband Modem (USR Modem) Using AdminBrowser .....	163
Setting Up a PC Modem Using Windows.....	164
100 BASE-T Port Expander Connection .....	169
POTS Line Sharing Switch Connection .....	170
Ethernet RF Modem .....	171
Ethernet LAN Connection.....	172
SNMP Interface .....	172

<b>Replacing Fusion Wideband Components</b>	<b>175</b>
<b>Replacing an RAU</b>	<b>176</b>
Replace the RAU	176
Perform System Test	176
Check the RAU LEDs	177
<b>Replacing a Fusion Wideband Expansion Hub</b>	<b>178</b>
Replace a Fusion Wideband Expansion Hub	178
AdminBrowser Tasks	178
Check the Expansion Hub LEDs	178
<b>Replacing a Fusion Wideband Main Hub</b>	<b>179</b>
Replace a Fusion Wideband Main Hub	179
Configure the New Fusion Wideband Main Hub	179
Check the LEDs on the New Main Hub	180
<b>Maintenance, Troubleshooting, and Technical Assistance</b>	<b>181</b>
<b>Service</b>	<b>182</b>
<b>Maintenance</b>	<b>183</b>
Cleaning the Fiber Ports	183
Considerations	183
Using Compressed Air	183
Using Isopropyl Alcohol	183
<b>Troubleshooting</b>	<b>184</b>
Troubleshooting Using AdminBrowser	185
System Troubleshooting	185
Troubleshooting Recommendations	185
Fault/Warning/Status Indications	186
Troubleshooting Using LEDs	186
Troubleshooting Main Hub LEDs During Normal Operation	186
Troubleshooting Expansion Hub LEDs During Normal Operation	188
<b>Troubleshooting CATV</b>	<b>189</b>
<b>Technical Assistance</b>	<b>190</b>
<b>Appendix A: Cables and Connectors</b>	<b>191</b>
<b>75 Ohm CATV Cable</b>	<b>192</b>
General Specifications	192
Recommended CATV Cable Lengths	192
Connectors and Tools for Cable Ends	196
<b>Fiber Optical Cables</b>	<b>197</b>
<b>Coaxial Cable</b>	<b>198</b>
<b>Standard Modem Cable</b>	<b>199</b>
<b>TCP/IP Cross-Over Cable</b>	<b>200</b>
<b>DB-9 to DB-9 Null Modem Cable</b>	<b>201</b>
<b>Appendix B: Compliance</b>	<b>203</b>
<b>Fusion Wideband System Approval Status</b>	<b>204</b>
700 MHz LTE Products	204
800 SMR/iDEN Products	204
850 Cellular Products	204
1800 DCS Products	204
1900 PCS Products	204
2100 UMTS Products	205
1700/2100 AWS Products	205
2500 WiMAX Products	205
2600 MHz LTE Products	205
InterReach Fusion Wideband Main Hub and Expansion Hub	206
<b>Human Exposure to RF</b>	<b>207</b>

<b>Appendix C: Faults, Warnings, Status Tables for Fusion, Fusion Wideband, Fusion SingleStar</b> .....	<b>209</b>
<b>Faults Reported by Main Hubs</b> .....	<b>210</b>
<b>Faults Reported for System CPU</b> .....	<b>213</b>
<b>Faults for Expansion Hubs</b> .....	<b>214</b>
<b>Faults for RAUs</b> .....	<b>216</b>
<b>Messages for Main Hubs</b> .....	<b>217</b>
Warning Messages .....	217
Status Messages .....	217
<b>Messages for System CPUs</b> .....	<b>222</b>
<b>Messages for Expansion Hubs</b> .....	<b>223</b>
<b>Messages for RAUs</b> .....	<b>226</b>
<b>Appendix D: Contacting TE Connectivity</b> .....	<b>229</b>
Contacting TE Connectivity by Telephone .....	229
Online Access to TE Connectivity .....	229



# PREFACE

---

Topics	Page
<b>Purpose and Scope</b> .....	<b>2</b>
<b>TE Customer Portal</b> .....	<b>3</b>
<b>Conventions in this Manual</b> .....	<b>4</b>
Measurements .....	4
Document Cautions and Notes .....	4
Document Fonts .....	4
<b>Standards Conformance</b> .....	<b>5</b>
<b>Related Publications</b> .....	<b>6</b>

---

## PURPOSE AND SCOPE

This document describes the InterReach Fusion Wideband system.

- [“InterReach Fusion Wideband System Description” on page 7](#)  
This section provides an overview of the Fusion Wideband hardware and OA&M capabilities. This section also contains system specifications and RF end-to-end performance tables.
- [“Fusion Wideband Main Hub” on page 29](#)  
This section illustrates and describes the Fusion Wideband Main Hub. This section includes connector and LED descriptions, and unit specifications.
- [“Fusion Wideband Expansion Hub” on page 41](#)  
This section illustrates and describes the Expansion Hub, as well as connector and LED descriptions, and unit specification.
- [“Remote Access Unit” on page 53](#)  
This section illustrates and describes the Remote Access Unit. This section also includes connector and LED descriptions, and unit specifications.
- [“Designing a Fusion Wideband Solution” on page 61](#)  
This section provides tools to aid you in designing your Fusion Wideband system, including tables of the maximum output power per carrier at the RAU and formulas and tables for calculating path loss, coverage distance, and link budget.
- [“Installing Fusion Wideband” on page 105](#)  
This section provides installation procedures, requirements, safety precautions, and checklists. The installation procedures include guidelines for troubleshooting using the LEDs as you install the units.
- [“Replacing Fusion Wideband Components” on page 175](#)  
This section provides installation procedures and considerations when you are replacing an Fusion Wideband component in an operating system.
- [“Maintenance, Troubleshooting, and Technical Assistance” on page 181](#)  
This section provides contact information and troubleshooting tables.
- [“Appendix A: Cables and Connectors” on page 191](#)  
This appendix provides connector and cable descriptions and requirements. It also includes cable strapping, connector crimping tools, and diagrams.
- [“Appendix B: Compliance” on page 203](#)  
This appendix lists safety and radio/EMC approvals.
- [“Appendix C: Faults, Warnings, Status Tables for Fusion, Fusion Wideband, Fusion SingleStar” on page 209](#)  
This appendix lists all system alarm messages.

## TE CUSTOMER PORTAL

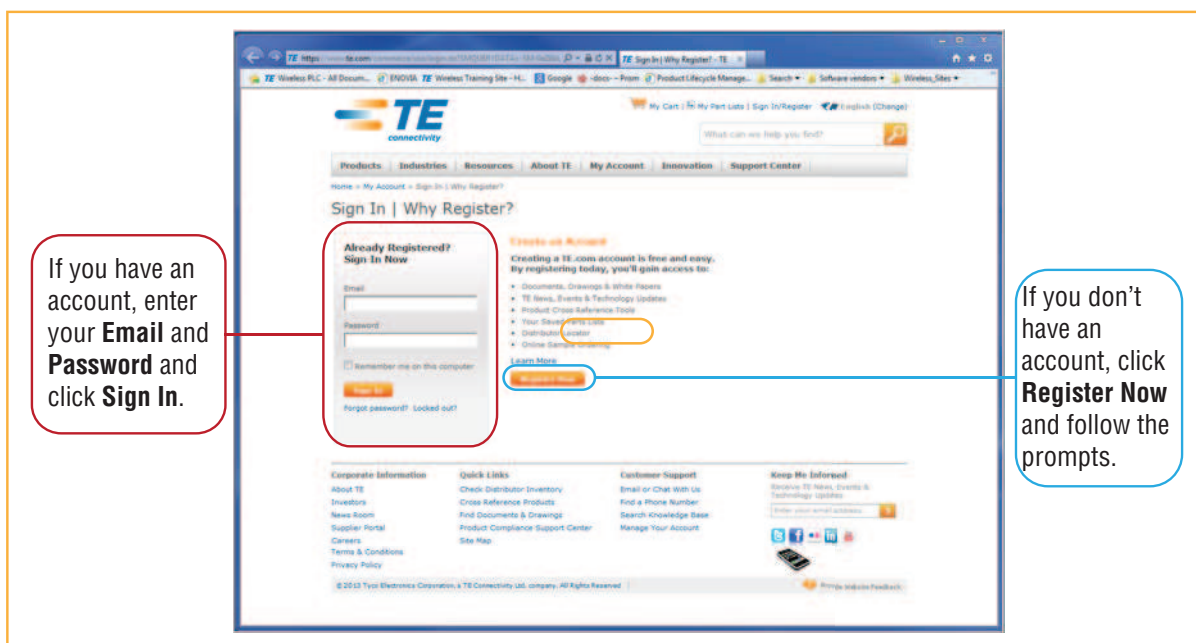
For the latest Software and Firmware Release and user documentation, access the TE Customer Portal.

- 1 Click on the following URL link:

<https://www.te.com/portal/wireless/>

(Alternatively, enter the preceding URL into your web browser, and then press **ENTER** on your keyboard.)

- 2 Access to the Customer Portal requires a user account and password. On the **Sign In** page, do one of the following:



- 3 On the **Wireless Customer Portal** home page in the **Knowledge Center** panel, click the **Manuals and Data Sheets** link.
- 4 On the **Manuals and Data Sheets** page, do the following:
  - a In the **Document Repository** panel, scroll to the section for the product line of the document that you want to access.
  - b Click on the title of the manual that you wish to open.
  - c (Optional) Save the PDF to your PC or laptop.

## CONVENTIONS IN THIS MANUAL

The following table lists the type style conventions used in this manual.

### Measurements

This manual lists measurements first in metric units, and then in U. S. Customary System of units in parentheses. For example: 0° to 45°C (32° to 113°F).

### Document Cautions and Notes

Two types of messages, identified below, appear in the text:

**CAUTION!** Caution text indicates operations or steps that could cause personal injury, induce a safety problem in a managed device, destroy or corrupt information, or interrupt or stop services.

**NOTE:** Note text contains information about special circumstances.

### Document Fonts

You will find the following font conventions in use throughout the document.

- **This font** represents a reference to an EMS dialog box, menu item, configuration option, or other parameter.
- **<This Font>** in angle brackets represents a reference to an EMS dialog box, menu item, configuration option, or other parameter that is a variable. The text within the angle brackets changes according to a **get** or **set** command. For example:
  - The **Password for <username> has been changed** message displays.
  - The **Password for JohnSmith has been changed** message displays.
- **This font** represents non-variable text that you type at a prompt.
- **THIS FONT** represents keys that you need to press on your keyboard.

## STANDARDS CONFORMANCE

- Fusion Wideband uses the TIA-570-B cabling standards for ease of installation.
- Refer to [“Appendix B: Compliance”](#) on page 203 for compliance information.

**CAUTION!** The user is cautioned that changes or modifications not expressly approved by the party responsible for compliance could void the user’s authority to operate the equipment.

## RELATED PUBLICATIONS

- *AdminBrowser User Manual*, TE part number D-620607-0-20
- *FlexWave Focus Configuration, Installation, and Reference Manual*; TE part number 8500-10
- *InterReach Unison Installation, Operation, and Reference Manual*; TE part number 8700-50

You can download Fusion user documentation from the TE Customer Portal (see “[TE Customer Portal](#)” on page 3).

# INTERREACH FUSION WIDEBAND SYSTEM DESCRIPTION

Topics	Page
<b>System Overview</b> .....	<b>8</b>
<b>System Hardware Description</b> .....	<b>10</b>
<b>System OA&amp;M Capabilities Overview</b> .....	<b>12</b>
System Monitoring and Reporting .....	13
Using Alarm Contacts .....	14
<b>System Connectivity</b> .....	<b>15</b>
<b>System Operation</b> .....	<b>16</b>
<b>System Specifications</b> .....	<b>17</b>
<b>RF End-to-End Performance</b> .....	<b>20</b>
2100/1800 RAU (FSN-W1-2118-1) .....	20
2100 HP/1800 HP (FSN-W1-2118-1-HP).....	21
2100 High Power RAU (FSN-W1-21HP-1) .....	22
1900/AWS RAU (FSN-W1-1921-1).....	22
800/850/1900 RAU (FSN-W2-808519-1).....	23
700/AWS RAU (FSN-W2-7021-1).....	24
700/700 (Upper C) MIMO RAU (FSN-W2-7575-1).....	25
700/700 (Lower ABC) MIMO RAU .....	25
700 ABC/AWS HP/AWS HP RAU (FSN-W4-702121-1-HP) .....	25
700 UC/AWS HP/AWS HP RAU (FSN-W4-752121-1-HP) .....	26
850/1900 HP/AWS HP RAU (FSN-W5-851921-1-HP).....	27
2500/2500 RAU (FSN-2500-2-WMAX).....	28
2600/2600 RAU (FSN-W3-2626-1) .....	28

## SYSTEM OVERVIEW

InterReach Fusion Wideband is an intelligent fiber optics/CATV, multi-band (frequencies) wireless networking system designed to handle both wireless voice and data communications over licensed frequencies. It provides high-quality, ubiquitous, seamless access to the wireless network in larger buildings.

Fusion Wideband provides RF characteristics designed for large public and private facilities such as campus environments, airports, shopping malls, subways, convention centers, sports venues, and so on. Fusion Wideband uses microprocessors to enable key capabilities such as software-selectable band settings, automatic gain control, ability to incrementally adjust downlink/uplink gain, end-to-end alarming of all components and the associated cable infrastructure, and a host of additional capabilities.

The Fusion Wideband system supports major wireless standards and air interface protocols in use around the world, including:

- Frequencies: 700 MHz, 800 MHz, 850 MHz, 1700 MHz, 1800 MHz, 1900 MHz, 2100 MHz, 2500 MHz, 2600 MHz.
- Voice Protocols: AMPS, TDMA, CDMA, GSM/EGSM, WCDMA, LTE, WiMAX
- Data Protocols: CDPD, EDGE, GPRS, WCDMA, CDMA2000, 1xRTT, EV-DO, LTE, Paging, and WiMAX

The Fusion Wideband system supports three configurable bands:

- Band 1 in 60 MHz and can be configured for 700 MHz, 800 MHz, 1900 MHz, 2100 MHz, 2500 MHz, or 2600 MHz
- Band 2 in 75 MHz and can be configured for 1700 MHz, 1800 MHz, 1900 MHz, 2100 MHz, 2500 MHz, or 2600 MHz

Both bands support all protocols.

Fusion Wideband remote access units (RAUs) contain combinations of Band 1, Band 2, and Band 3 frequencies to support various world areas. These frequencies are 1800 MHz/2100 MHz for Europe, the Middle East, and Asia, or

800 MHz/850 MHz/1900 MHz for North America. Refer to [Table 4 on page 19](#) for a specific list of supported RAUs.

- Band 3 (only used for North America: FSN-W2-808519-1, FSN-W2-7021-1, FSN-W2-7070-1, FSN-W2-7575-1, FSN-W4-702121-1-HP, FSN-W4-752121-1-HP, and FSN-W5-851921-1-HP). For example, the FSN-W2-808519-1 RAU Band 3 is a 25 MHz sub-band of the 60 MHz Band and Band 1 is an 18 MHz sub-band of the 60 MHz Band.

The Fusion Wideband system has the following key system features

- **Multi-Band**, supports two or more full band frequencies for spectrum growth.
- **Superior RF performance**, particularly in the areas of IP3 and noise figure.
- **High downlink composite power and low uplink noise figure** enables support of a large number of channels and larger coverage footprint per antenna.
- **Software configurable** Main and Expansion Hubs allow the frequency bands to be configured in the field.



- **Either single-mode or multi-mode fiber** can be used, supporting flexible cabling alternatives (in addition to standard CATV 75 Ohm cabling). You can select the cabling type to meet the resident cabling infrastructure of the facility and unique building topologies.
- **Extended system “reach.”** Using single-mode fiber, fiber runs can be as long as 6 kilometers (creating a total system “wingspan” of 12 kilometers). Alternatively, with multi-mode fiber, fiber runs can be as long as 500 meters.
- **Standard 75 Ohm CATV cable**, can be run up to 130 meters for RG-59 cable; 140 meters for RG-6; 235 meters for RG-11 using CommScope 2065V, 2279V, and 2293K cables.
- **Flexible RF configuration capabilities**, including:
  - System gain: Ability to manually set gain in 1 dB steps, from 0 to 15 dB, on both downlink and uplink.
  - RAU:
    - RAU uplink and downlink gain can be independently attenuated 0 or 10 dB.
    - Uplink level control protects the system from input overload and can be optimized for either a single operator or multiple operators/protocols.
    - VSWR check on RAU reports if there is a disconnected antenna.
- **Firmware updates** are downloaded (either locally or remotely) to the system when any modifications are made to the product, including the addition of new software capabilities and services.
- **OA&M capabilities**, including fault isolation to the field replaceable unit, reporting of all fault and warning conditions, and user-friendly web browser user interface OA&M software package.

## SYSTEM HARDWARE DESCRIPTION

The InterReach Fusion Wideband system consists of three modular components:

- 19" rack-mountable Main Hub (connects to up to 4 Expansion Hubs, except for the One Port Main Hub configuration that supports 1 Expansion Hub)
  - Converts RF signals to optical IF on the downlink; optical IF-to-RF on the uplink
  - Microprocessor controlled (for alarms, monitoring, and control)
  - Auto-configurable bands
  - Simplex interface to RF source
  - Periodically polls all downstream RAUs for system status, and automatically reports any fault or warning conditions
- 19" rack mountable Expansion Hub (connects to up to 8 Remote Access Units)
  - Optical signal conversion to electrical on the downlink; electrical to optical on the uplink
  - Microprocessor controlled (for alarms, monitoring, and control)
  - Software configurable band (based on commands from the Main Hub)
  - Supplies DC power to RAUs over CATV cable.
- Remote Access Unit (RAU)
  - Converts IF signals to RF on the downlink; RF-to-IF on the uplink
  - Microprocessor controlled (for alarms, monitoring, and control)
  - Multi-band protocol independent, frequency specific units

The minimum configuration of a Fusion Wideband system is one Main Hub, one Expansion Hub, and one RAU (1-1-1). The maximum configuration of a system is one Main Hub, four Expansion Hubs, and 32 RAUs (1-4-32). Multiple systems can be combined to provide larger configurations.

**NOTE:** The Fusion Wideband One Port Main Hub (PN: FSN-W1-MH-2-1P, FSN-W2-MH-3-1P, FSN-W3-MH-1P, FSN-W4-MH-1P, and FSN-W5-MH-1P) configuration is a cost reduced version of the Fusion Wideband Main Hub and supports only one Expansion Hub (up to 8 RAUs).

The Fusion Wideband One Port Main Hub is "software locked" to 1 port 2 fiber ports. Additional ports are disabled internally. Please do not attempt to remove the front panel fiber port plate, since doing so will void the product warranty.



**Figure 1.** Fusion Wideband System Hardware



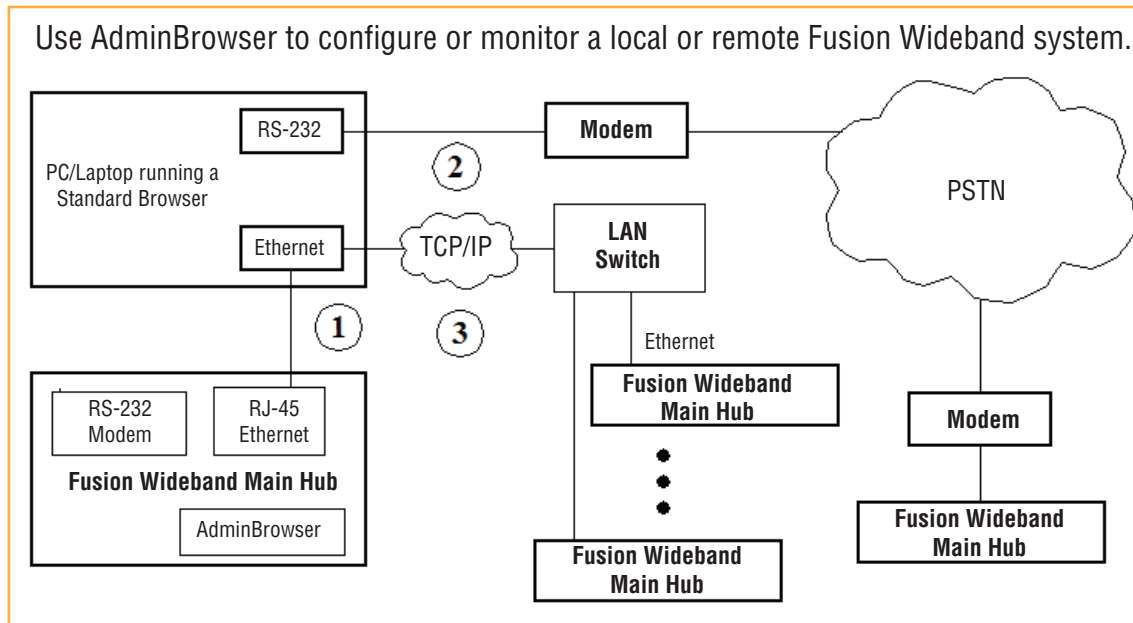
**Figure 2.** Fusion Wideband One Port System Hardware

## SYSTEM OA&M CAPABILITIES OVERVIEW

InterReach Fusion Wideband is microprocessor controlled and contains firmware to enable much of the operations, administration, and maintenance (OA&M) functionality.

Complete alarming, down to the field replaceable unit (that is, Fusion Wideband Main Hub, Expansion Hub, and Remote Access Unit) and the cabling infrastructure, is available. All events occurring in a system, defined as a Fusion Wideband Main Hub and all of its associated Expansion Hubs and Remote Access Units, are automatically reported to the Main Hub. The Main Hub monitors system status and communicates that status using the following methods:

- Normally closed (NC) alarm contact closures can be tied to standard NC alarm monitoring systems or directly to a base station for basic alarm monitoring.
- Connection Methods:
  - The Main Hub’s front panel RJ-45 port connects directly to a PC (for local Ethernet access).
  - The Main Hub’s front panel RS-232 serial port connects directly to a modem (for remote access).
  - Remote access is also available with an optional 100BASE-T LAN switch connections to the RJ-45 port.



**Figure 3.** Three Methods for OA&M Communications

AdminBrowser OA&M software runs on the Fusion Wideband Main Hub microprocessor and communicates to its downstream Expansion Hubs and associated RAUs. Using AdminBrowser, you can perform the following from any standard web browser (Internet Explorer) running on your PC/laptop system:

- Configure a newly installed system
- Change system parameters
- Perform an end-to-end system test
- Query system status

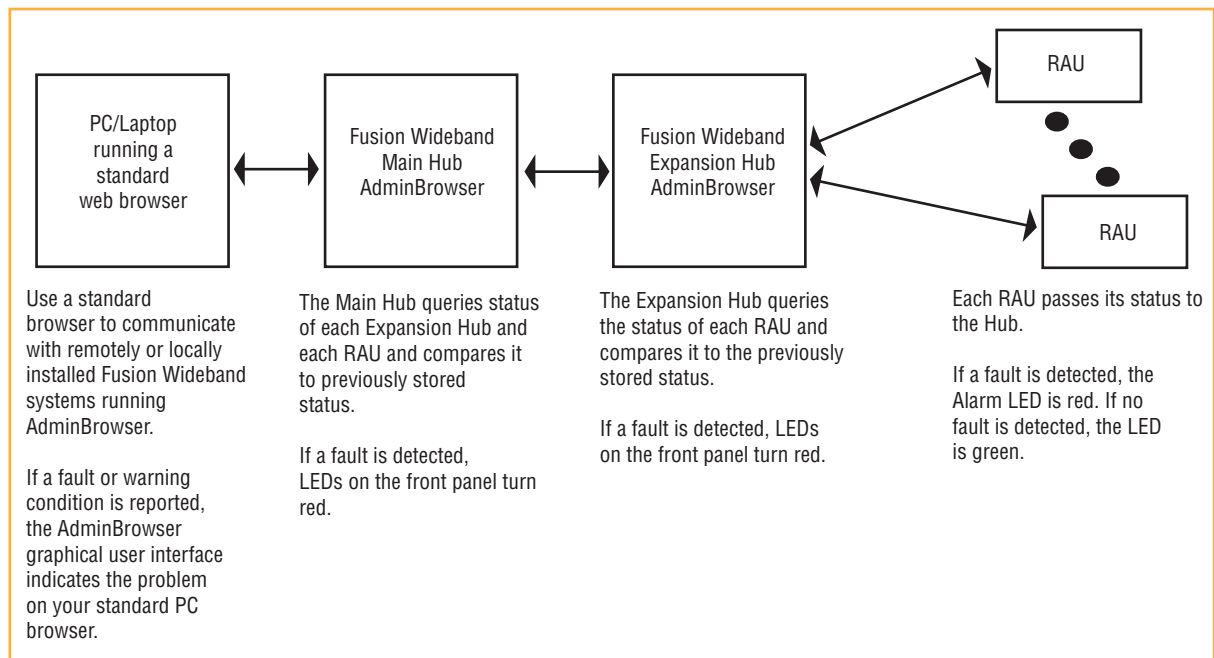
Refer to the *AdminBrowser User Manual* (D-620607-0-20) for information about installing and using AdminBrowser software.

## System Monitoring and Reporting

Each Fusion Wideband Main Hub in the system constantly monitors itself, its Expansion Hubs, and their downstream RAUs for internal fault and warning conditions. The results of this monitoring are stored in memory and compared against new results.

When a Main or Expansion Hub detects a change in status, it reports a fault or warning alarm. Faults are also indicated locally by red status LEDs. Both faults and warnings are reported to AdminBrowser software and displayed on a PC/laptop connected to the Main Hub's RJ-45 port. Passive antennas connected to the RAUs are not monitored automatically. Perform a System Test to retrieve status information about antennas.

Using AdminBrowser, you can install a new system or new components, change system parameters, and query system status. Figure 2-4 illustrates how the system reports its status to AdminBrowser.



**Figure 4.** System Monitoring and Reporting

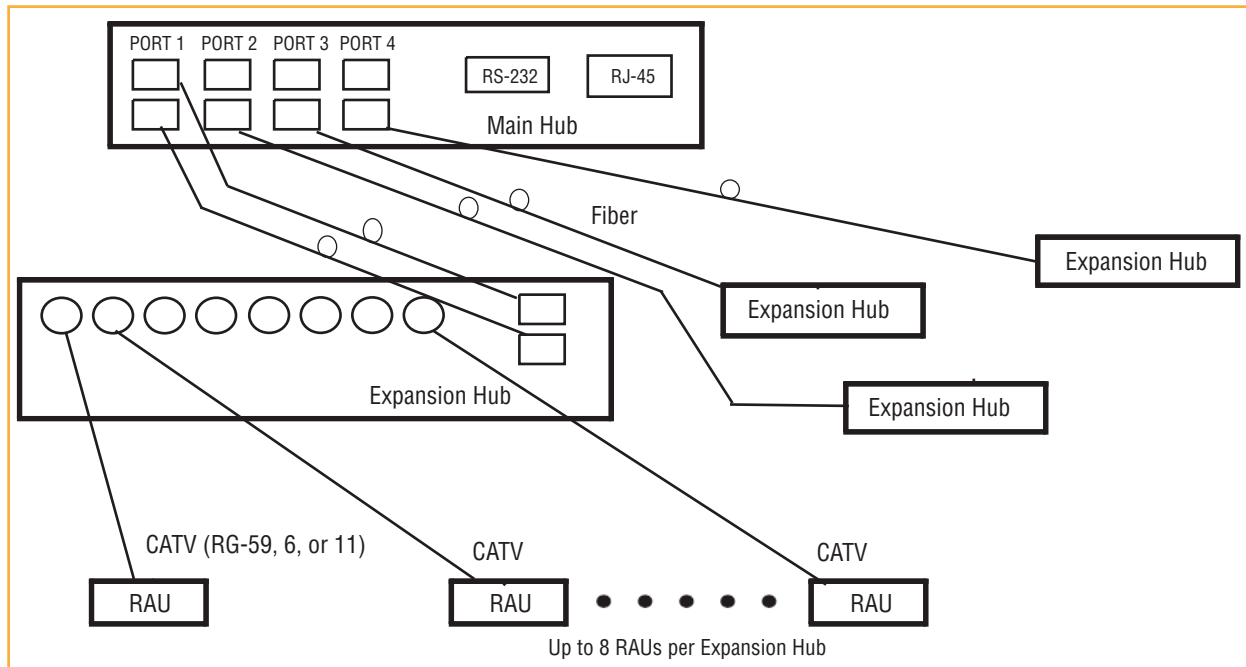
## Using Alarm Contacts

You can connect the DB-9 female connector on the rear panel of the Fusion Wideband Main Hub to a local base station or to a daisy-chained series of Fusion and/or FlexWave Focus systems.

When you connect FlexWave Focus or a BTS to the Fusion Wideband, the Fusion Wideband Main Hub outputs the alarms (alarm source) and FlexWave Focus or the BTS receives the alarms (alarm sense). This is described in Section 7.7.1 on page 7-59.

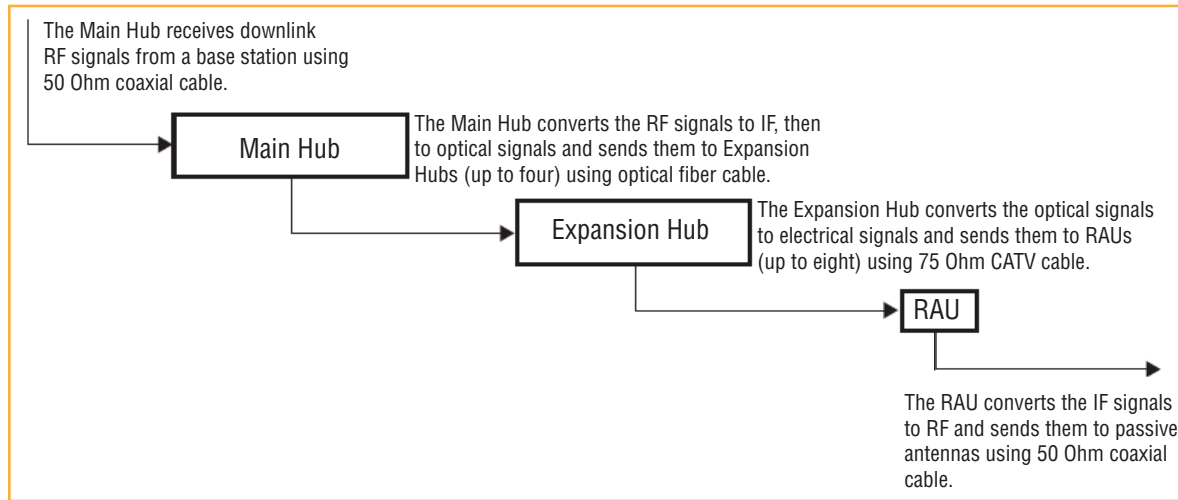
## SYSTEM CONNECTIVITY

The double star architecture of the Fusion Wideband system, illustrated in Figure 2-5, provides excellent system scalability and reliability. The system requires only one pair of fibers for eight antenna points. This makes any system expansion, such as adding an extra antenna for additional coverage, potentially as easy as pulling an extra CATV cable.

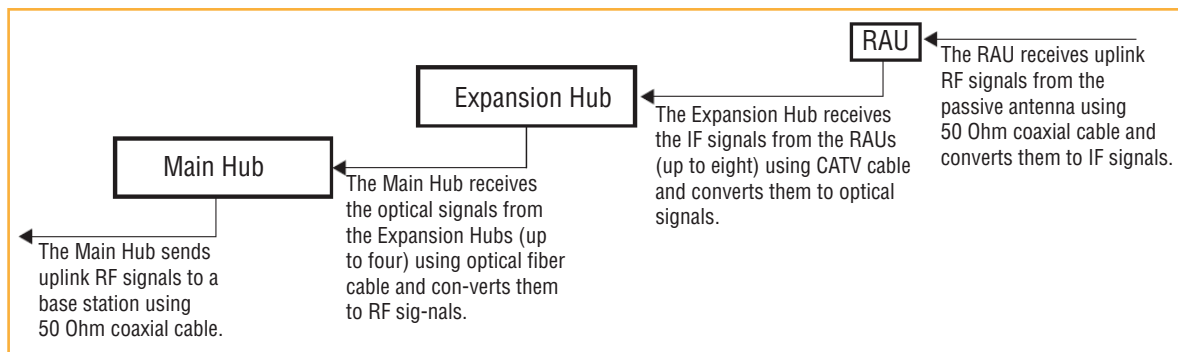


**Figure 5.** Fusion Wideband's Double Star Architecture

## SYSTEM OPERATION



**Figure 6.** Downlink (Base Station to Wireless Devices)



**Figure 7.** Uplink (Wireless Devices to Base Station)



## SYSTEM SPECIFICATIONS

**Table 1.** Physical Specifications

Parameter	Main Hub	Expansion Hub	Remote Access Unit
IF/RF Connectors	4-type "N" female <sup>(a)</sup> (50 Ohm), 1 Downlink/Uplink pair per band	8-type "F", female (CATV 75 Ohm)	One F, female (CATV -75 Ohm) One N, female <sup>(b)</sup> (antenna-50 Ohm)
External Alarm Connector (contact source)	One, 9-pin D-sub, female	One, 9-pin D-sub, female	—
ADMIN/LAN Interface Connectors	One RJ-45, female One 9-pin D-sub, male for optional modem	One RJ-45, female One 9-pin D-sub, male	—
Fiber Connectors <sup>(c)</sup>	4 pair, SC/APC <sup>(d)</sup>	One pair, SC/APC	—
LED Alarm and Status Indicators	Unit Status (One pair): • Power • Main Hub Status  Downstream Unit Status (One per fiber port): • Expansion Hub/RAU	Unit Status (One pair): • Power • Expansion Hub Status  Fiber Link Status (One pair): • DL Status • UL Status  Port Status: • One per F connector port • Link/RAU	Unit Status (One pair): • Link • Alarm
Power (AC Option)	Rating: 100–240V AC, 1A, 50–60 Hz  Operating Range: 90–132V AC/170-250V AC auto-ranging	Rating: 100–240V AC, 6A, 50–60 Hz  Operating Range: 90–132V AC/170-250V AC auto-ranging	—
Power (DC Option)	Rating: 38–64V DC, 2.5A	Rating: 38-64V DC, 14A	—
Power Consumption (W)	30	4 RAUs: 290 typical, 360 max. 8 RAUs: 500 typical, 630 Max.	—
Enclosure Dimensions <sup>(e)</sup> (height ´ width ´ depth)	89 mm × 438 mm × 381 mm (3.5 in. × 17.25 in. × 15 in.)  2U	89 mm × 438 mm × 381 mm (3.5 in. × 17.25 in. × 15 in.)  2U	54 mm x 286 mm x 281 mm (2.13 in. × 11.25 in. × 11.13 in.)
Weight	< 5.5 kg (< 12 lbs.)	< 6.6 kg (< 14.5 lbs.)	< 2.1 kg (< 4.6 lbs.)
<p>a 6-type N, female connectors for FSN-W2-MH-1, FSN-W2-MH-3, FSN-W4-MH-1, and FSN-W5-MH-1 Main Hub.</p> <p>b 2-type N, female connectors for FSN-W1-1921-1, FSN-W2-808519-1, FSN-W2-7575-1, FSN-W2-7070-1, FSN-W3-2626-1, FSN-W4-702121-1-HP, FSN-W4-752121-1-HP, FSN-W5-851921-1-HP, and FSN-2500-2-WMAX RAUs.</p> <p>c It is critical to system performance that only SC/APC fiber connectors are used throughout the fiber network, including fiber distribution panels.</p> <p>d FSN-W1-MH-2-1P, FSN-W2-MH-3-1P, FSN-W3-MH-1P, FSN-W4-MH-1P, and FSN-W5-MH-1P support only one pair, SP/APC fibers.</p> <p>e Excluding angle-brackets for 19" rack hub mounting of the hub.</p>			

**NOTE:** **Note: The Fusion Wideband Main Hub's typical power consumption assumes that the CATV RG-59 cable length is no more than 130 meters, the RG-6 cable length is no more than 140 meters, and RG-11 cable length is no more than 235 meters using CommScope 2065V, 2279V, and 2293K cables.**

**Table 2.** *Wavelength and Laser Power Specifications*

Wavelength	Measured Output Power	
	Main Hub	Expansion Hub
1310 nm $\pm$ 20 nm	890 $\mu$ W	3.8 mW

**Table 3.** *Environmental Specifications*

Parameter	Main Hub and Expansion Hub	RAU
Operating Temperature	0° to +45°C (+32° to +113°F)	-25° to +45°C (-13° to +113°F)
Non-operating Temperature	-20° to +85°C (-4° to +185°F)	-25° to +85°C (-13° to +185°F)
Operating Humidity; non-condensing	5% to 95%	5% to 95%

**Table 4.** Frequency Bands Covered by Fusion Wideband RAUs

Fusion RAU	Part Number	Fusion Band	RF Passband		MAIN HUB/ RAU Band	RAU Bandwidth
			Downlink (MHz)	Uplink (MHz)		
2100/1800	FSN-W1-2118-1	2100	2110-2170	1920-1980	1	60 MHz
2100 HP/1800 HP	FSN-W1-2118-1-HP	1800	1805-1880	1710-1785	2	75 MHz
2100 High Power (single-band RAU)	FSN-W1-21HP-1	2100	2110-2170	1920-1980	1	60 MHz
1900/AWS	FSN-W1-1921-1	1900 (A-F)	1930-1990	1850-1910	1	60 MHz
		AWS	2110-2155	1710-1755	2	45 MHz
800/850/1900	FSN-W2-808519-1	800	851-869	806-824	1 (sub-band 1A)	18 MHz
		850	869-894	824-849	3 (sub-band 1B)	25 MHz
		1900 (A - F)	1930-1990	1850-1910	2	60 MHz
700/AWS	FSN-W2-7021-1	700 (Upper C)	746-757	776-787	1 (sub-band 1A)	11 MHz
		700 (Lower ABC)	728-746	698-716	3 (sub-band 1B)	18 MHz
		AWS	2110-2155	1710-1755	2	45 MHz
700/700 MIMO (Upper C)	FSN-W2-7575-1	700 (Upper C)	746-757	776-787	1 (sub-band 1A)	11 MHz
		700 (Upper C)	746-757	776-787	3 (sub-band 1B)	11 MHz
700/700 MIMO (Lower ABC)	FSN-W2-7070-1	700 (Lower ABC)	728-746	698-716	1 (sub-band 1A)	18 MHz
		700 (Lower ABC)	728-746	698-716	3 (sub-band 1B)	18 MHz
700 ABC/AWS HP/ AWS HP	FSN-W4-702121-1-HP	AWS	2110-2155	1710-1755	1 (sub-band 1A)	45 MHz
		700 (Lower ABC)	728-746	698-716	3 (sub-band 1B)	18 MHz
		AWS	2110-2155	1710-1755	2	45 MHz
700 UC/AWS HP/ AWS HP	FSN-W4-752121-1-HP	AWS	2110-2155	1710-1755	1 (sub-band 1A)	45 MHz
		700 (Upper C)	746-757	776-787	3 (sub-band 1B)	11 MHz
		AWS	2110-2155	1710-1755	2	45 MHz
850/1900 HP/ AWS HP	FSN-W5-851921-1- HP	AWS	2110-2155	1710-1755	1 (sub-band 1A)	45 MHz
		850	869-894	824-849	3 (sub-band 1B)	25 MHz
		1900 (A - G)	1930-1995	1850-1915	2	65 MHz
2500/2500	FSN-2500-2-WMAX	2500	2496-2690	2496-2690	1	30 MHz
		2500	2496-2690	2496-2690	2	30 MHz
2600/2600	FSN-W3-2626-1	2600	2620-2690	2500-2570	1	70 MHz
		2600	2620-2690	2500-2570	2	70 MHz

## RF END-TO-END PERFORMANCE

The following tables list the RF end-to-end performance of each protocol.

**NOTE:** The system gain is adjustable in 1 dB steps from 0 to 15 dB, and the gain of each RAU can be attenuated 0 or 10 dB.

### 2100/1800 RAU (FSN-W1-2118-1)

**Table 5.** 2100 MHz RF End-to-End Performance

Parameter	Typical	
	Downlink	Uplink
Average gain with 130 m RG-59 at 25°C (77°F) (dB)	15	15
Ripple with 130 m RG-59 (dB)	4.5	4.5
Output IP3 (dBm)	38	
Input IP3 (dBm)		-5
Output 1 dB Compression Point (dBm)	26	
Noise Figure 1 MH, 1 EH, 8 RAUs (dB)		17
Noise Figure 1 MH, 4 EH, 32 RAUs (dB)		23

**Table 6.** 1800 MHz RF End-to-End Performance

Parameter	Typical	
	Downlink	Uplink
Average gain with 130 m RG-59 at 25°C (77°F) (dB)	15	15
Ripple with 130 m RG-59 (dB)	4.5	4.5
Output IP3 (dBm)	38	
Input IP3 (dBm)		-5
Output 1 dB Compression Point (dBm)	26	
Noise Figure 1 MH, 1 EH, 8 RAUs (dB)		17
Noise Figure 1 MH, 4 EH, 32 RAUs (dB)		23

**2100 HP/1800 HP (FSN-W1-2118-1-HP)****Table 7.** 2100 MHz RF End-to-End Performance

Parameter	Typical	
	Downlink	Uplink
Average gain with 130 m RG-59 at 25°C (77°F) (dB)	20	15
Ripple with 130 m RG-59 (dB)	4.5	4.5
Output IP3 (dBm)	42	
Input IP3 (dBm)		-5
Output 1 dB Compression Point (dBm)	30	
Noise Figure 1 MH, 1 EH, 8 RAUs (dB)		17
Noise Figure 1 MH, 4 EH, 32 RAUs (dB)		23

**Table 8.** 1800 MHz RF End-to-End Performance

Parameter	Typical	
	Downlink	Uplink
Average gain with 130 m RG-59 at 25°C (77°F) (dB)	18	15
Ripple with 130 m RG-59 (dB)	4.5	4.5
Output IP3 (dBm)	42	
Input IP3 (dBm)		-5
Output 1 dB Compression Point (dBm)	30	
Noise Figure 1 MH, 1 EH, 8 RAUs (dB)		17
Noise Figure 1 MH, 4 EH, 32 RAUs (dB)		23

## 2100 High Power RAU (FSN-W1-21HP-1)

**Table 9.** 2100 MHz High Power RF End-to-End Performance

Parameter	Typical	
	Downlink	Uplink
Average gain with 130 m RG-59 at 25°C (77°F) (dB) <sup>a,b</sup>	22	15
Ripple with 130 m RG-59 (dB)	4.5	5
Output IP3 (dBm)	44	
Input IP3 (dBm)		-5
Output 1 dB Compression Point (dBm)	33	
Noise Figure 1 MH, 1 EH, 8 RAUs (dB)		17
Noise Figure 1 MH, 4 EH, 32 RAUs (dB)		23
<p>a The system Downlink gain is adjustable in 1 dB steps from 7 to 22 dB (the High Power RAU adds 7 dB of Downlink gain).</p> <p>b The system Uplink gain is adjustable in 1 dB steps from 0 to 15 dB.</p>		

## 1900/AWS RAU (FSN-W1-1921-1)

**Table 10.** 1900 MHz RF End-to-End Performance

Parameter	Typical	
	Downlink	Uplink
Average gain with 130 m RG-59 at 25°C (77°F) (dB)	15	15
Ripple with 130 m RG-59 (dB)	3.5	4
Output IP3 (dBm)	38	
Input IP3 (dBm)		-5
Output 1 dB Compression Point (dBm)	26	
Noise Figure 1 MH, 1 EH, 8 RAUs (dB)		17
Noise Figure 1 MH, 4 EH, 32 RAUs (dB)		23

**Table 11.** AWS RF End-to-End Performance

Parameter	Typical	
	Downlink	Uplink
Average gain with 130 m RG-59 at 25°C (77°F) (dB)	15	15
Ripple with 130 m RG-59 (dB)	3.5	4
Output IP3 (dBm)	38	
Input IP3 (dBm)		-5
Output 1 dB Compression Point (dBm)	26	
Noise Figure 1 MH, 1 EH, 8 RAUs (dB)		17
Noise Figure 1 MH, 4 EH, 32 RAUs (dB)		23

## 800/850/1900 RAU (FSN-W2-808519-1)

**Table 12.** 800 MHz RF End-to-End Performance

Parameter	Typical	
	Downlink	Uplink
Average gain with 130 m RG-59 at 25°C (77°F) (dB)	15	15
Ripple with 130 m RG-59 (dB)	2.5	3
Output IP3 (dBm)	37	
Input IP3 (dBm)		-5
Output 1 dB Compression Point (dBm)	25	
Noise Figure 1 MH, 1 EH, 8 RAUs (dB)		17
Noise Figure 1 MH, 4 EH, 32 RAUs (dB)		23

**Table 13.** 850 MHz RF End-to-End Performance

Parameter	Typical	
	Downlink	Uplink
Average gain with 130 m RG-59 at 25°C (77°F) (dB)	15	15
Ripple with 130 m RG-59 (dB)	2.5	3
Output IP3 (dBm)	37	
Input IP3 (dBm)		-5
Output 1 dB Compression Point (dBm)	25	
Noise Figure 1 MH, 1 EH, 8 RAUs (dB)		17
Noise Figure 1 MH, 4 EH, 32 RAUs (dB)		23

**Table 14.** 1900 MHz RF End-to-End Performance

Parameter	Typical	
	Downlink	Uplink
Average gain with 130 m RG-59 at 25°C (77°F) (dB)	15	15
Ripple with 130 m RG-59 (dB)	3.5	4
Output IP3 (dBm)	38	
Input IP3 (dBm)		-5
Output 1 dB Compression Point (dBm)	26	
Noise Figure 1 MH, 1 EH, 8 RAUs (dB)		17
Noise Figure 1 MH, 4 EH, 32 RAUs (dB)		23

## 700/AWS RAU (FSN-W2-7021-1)

**Table 15.** 700 MHz (Lower ABC) RF End-to-End Performance

Parameter	Typical	
	Downlink	Uplink
Average gain with 130 m RG-59 at 25°C (77°F) (dB)	15	15
Ripple with 130 m RG-59 (dB)	2.5	3
Output IP3 (dBm)	34	
Input IP3 (dBm)		-5
Output 1 dB Compression Point (dBm)	22	
Noise Figure 1 MH, 1 EH, 8 RAUs (dB)		20
Noise Figure 1 MH, 4 EH, 32 RAUs (dB)		26

**Table 16.** 700 MHz (Upper C) RF End-to-End Performance

Parameter	Typical	
	Downlink	Uplink
Average gain with 130 m RG-59 at 25°C (77°F) (dB)	15	15
Ripple with 130 m RG-59 (dB)	2.5	3
Output IP3 (dBm)	34	
Input IP3 (dBm)		-5
Output 1 dB Compression Point (dBm)	22	
Noise Figure 1 MH, 1 EH, 8 RAUs (dB)		20
Noise Figure 1 MH, 4 EH, 32 RAUs (dB)		26

**Table 17.** AWS RF End-to-End Performance

Parameter	Typical	
	Downlink	Uplink
Average gain with 130 m RG-59 at 25°C (77°F) (dB)	15	15
Ripple with 130 m RG-59 (dB)	3.5	4
Output IP3 (dBm)	38	
Input IP3 (dBm)		-5
Output 1 dB Compression Point (dBm)	26	
Noise Figure 1 MH, 1 EH, 8 RAUs (dB)		17
Noise Figure 1 MH, 4 EH, 32 RAUs (dB)		23



## 700/700 (Upper C) MIMO RAU (FSN-W2-7575-1)

**Table 18.** 700 MHz (Upper C) RF End-to-End Performance

Parameter	Typical	
	Downlink	Uplink
Average gain with 130 m RG-59 at 25°C (77°F) (dB)	15	15
Ripple with 130 m RG-59 (dB)	2.5	3
Output IP3 (dBm)	38	
Input IP3 (dBm)		-5
Output 1 dB Compression Point (dBm)	26	
Noise Figure 1 MH, 1 EH, 8 RAUs (dB)		17
Noise Figure 1 MH, 4 EH, 32 RAUs (dB)		23

## 700/700 (Lower ABC) MIMO RAU (FSN-W2-7070-1)

**Table 19.** 700 MHz (Lower ABC) RF End-to-End Performance

Parameter	Typical	
	Downlink	Uplink
Average gain with 130 m RG-59 at 25°C (77°F) (dB)	15	15
Ripple with 130 m RG-59 (dB)	2.5	3
Output IP3 (dBm)	38	
Input IP3 (dBm)		-5
Output 1 dB Compression Point (dBm)	26	
Noise Figure 1 MH, 1 EH, 8 RAUs (dB)		17
Noise Figure 1 MH, 4 EH, 32 RAUs (dB)		23

## 700 ABC/AWS HP/AWS HP RAU (FSN-W4-702121-1-HP)

**Table 20.** 700 MHz (Lower ABC) RF End-to-End Performance

Parameter	Typical	
	Downlink	Uplink
Average gain with 130 m RG-59 at 25°C (77°F) (dB)	15	15
Ripple with 130 m RG-59 (dB)	2.5	3
Output IP3 (dBm)	38	
Input IP3 (dBm)		-5
Output 1 dB Compression Point (dBm)	26	
Noise Figure 1 MH, 1 EH, 8 RAUs (dB)		16
Noise Figure 1 MH, 4 EH, 32 RAUs (dB)		22

**Table 21.** AWS RF End-to-End Performance

Parameter	Typical	
	Downlink	Uplink
Average gain with 130 m RG-59 at 25°C (77°F) (dB)	20	15
Ripple with 130 m RG-59 (dB)	3.5	4
Output IP3 (dBm)	43	
Input IP3 (dBm)		-5
Output 1 dB Compression Point (dBm)	31	
Noise Figure 1 MH, 1 EH, 8 RAUs (dB)		17
Noise Figure 1 MH, 4 EH, 32 RAUs (dB)		23

## 700 UC/AWS HP/AWS HP RAU (FSN-W4-752121-1-HP)

**Table 22.** 700 MHz (Upper C) RF End-to-End Performance

Parameter	Typical	
	Downlink	Uplink
Average gain with 130 m RG-59 at 25°C (77°F) (dB)	15	15
Ripple with 130 m RG-59 (dB)	2.5	3
Output IP3 (dBm)	38	
Input IP3 (dBm)		-5
Output 1 dB Compression Point (dBm)	26	
Noise Figure 1 MH, 1 EH, 8 RAUs (dB)		16
Noise Figure 1 MH, 4 EH, 32 RAUs (dB)		22

**Table 23.** AWS RF End-to-End Performance

Parameter	Typical	
	Downlink	Uplink
Average gain with 130 m RG-59 at 25°C (77°F) (dB)	20	15
Ripple with 130 m RG-59 (dB)	3.5	4
Output IP3 (dBm)	43	
Input IP3 (dBm)		-5
Output 1 dB Compression Point (dBm)	31	
Noise Figure 1 MH, 1 EH, 8 RAUs (dB)		17
Noise Figure 1 MH, 4 EH, 32 RAUs (dB)		23

## 850/1900 HP/AWS HP RAU (FSN-W5-851921-1-HP)

**Table 24.** 850 MHz RF End-to-End Performance

Parameter	Typical	
	Downlink	Uplink
Average gain with 130 m RG-59 at 25°C (77°F) (dB)	15	15
Ripple with 130 m RG-59 (dB)	2.5	3
Output IP3 (dBm)	38	
Input IP3 (dBm)		-5
Output 1 dB Compression Point (dBm)	26	
Noise Figure 1 MH, 1 EH, 8 RAUs (dB)		16
Noise Figure 1 MH, 4 EH, 32 RAUs (dB)		22

**Table 25.** 1900 MHz RF End-to-End Performance

Parameter	Typical	
	Downlink	Uplink
Average gain with 130 m RG-59 at 25°C (77°F) (dB)	20	15
Ripple with 130 m RG-59 (dB)	3.5	4
Output IP3 (dBm)	43	
Input IP3 (dBm)		-5
Output 1 dB Compression Point (dBm)	31	
Noise Figure 1 MH, 1 EH, 8 RAUs (dB)		17
Noise Figure 1 MH, 4 EH, 32 RAUs (dB)		23

**Table 26.** AWS RF End-to-End Performance

Parameter	Typical	
	Downlink	Uplink
Average gain with 130 m RG-59 at 25°C (77°F) (dB)	20	15
Ripple with 130 m RG-59 (dB)	3.5	4
Output IP3 (dBm)	43	
Input IP3 (dBm)		-5
Output 1 dB Compression Point (dBm)	31	
Noise Figure 1 MH, 1 EH, 8 RAUs (dB)		17
Noise Figure 1 MH, 4 EH, 32 RAUs (dB)		23

## 2500/2500 RAU (FSN-2500-2-WMAX)

**Table 27.** 2500 MHz WiMAX RF End-to-End Performance

Parameter	Typical	
	Downlink	Uplink
Average gain with 130 m RG-59 at 25°C (77°F) (dB)	15	15
Ripple with 130 m RG-59 (dB)	4.5	4.5
Output IP3 (dBm)	42.5	
Input IP3 (dBm)		-5
Output 1 dB Compression Point (dBm)	32	
Noise Figure 1 MH, 1 EH, 8 RAUs (dB)		17
Noise Figure 1 MH, 4 EH, 32 RAUs (dB)		23

## 2600/2600 RAU (FSN-W3-2626-1)

**Table 28.** 2600 MHz RF End-to-End Performance

Parameter	Typical	
	Downlink	Uplink
Average gain with 130 m RG-59 at 25°C (77°F) (dB)	15	15
Ripple with 130 m RG-59 (dB)	4.5	5
Output IP3 (dBm)	38	
Input IP3 (dBm)		-5
Output 1 dB Compression Point (dBm)	26	
Noise Figure 1 MH, 1 EH, 8 RAUs (dB)		17
Noise Figure 1 MH, 4 EH, 32 RAUs (dB)		23

# FUSION WIDEBAND MAIN HUB

---

Topics	Page
<b>Fusion Wideband Main Hub Overview</b> .....	<b>30</b>
<b>Fusion Wideband Main Hub Front Panel</b> .....	<b>32</b>
Optical Fiber Uplink/Downlink Ports .....	33
Communications RS-232 Serial Connector .....	33
Main Hub LED Indicators .....	33
Unit Status LEDs .....	34
Fiber Port LEDs .....	34
Fusion Wideband Main Hub Rear Panel .....	35
Fusion Wideband Main Hub Rear Panel Connectors .....	36
9-pin D-sub Connector .....	36
N-type Female Connectors .....	36
<b>Main Hub Specifications</b> .....	<b>37</b>
<b>Faults, Warnings, and Status Messages</b> .....	<b>38</b>
Events .....	38
View Preference .....	38

---

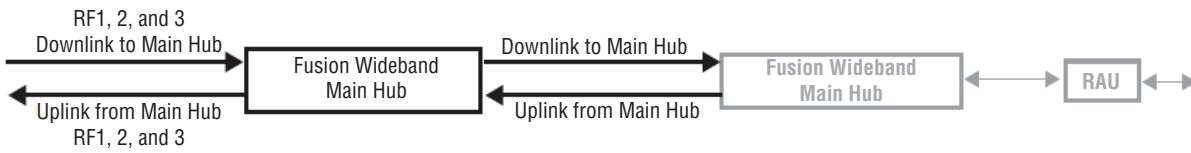
## FUSION WIDEBAND MAIN HUB OVERVIEW

The Fusion Wideband Main Hub (shown in Figure 8) distributes up to three individual (Band 1, 2, and 3) downlink RF signals from a base station, repeater, or FlexWave Focus system to up to four Expansion Hubs, which in turn distribute the signals to up to 32 Remote Access Units. The Main Hub also combines uplink signals from the associated Expansion Hubs.

Fusion Wideband is a multi-band system. One RF source (Band 1 or RF1) goes to the 60 MHz band and the other RF source (Band 2 or RF2) goes to the 75 MHz band. Band 3 (or RF3) goes to a 25 MHz sub-band of the 60 MHz band and is functional only with the 800/850/1900, 700/AWS, 700/700 (Upper C) MIMO, 700/700 (Lower ABC) MIMO, 700 ABC/AWS HP/AWS HP, 700 UC/AWS HP/AWS HP, and 850/1900 HP/AWS HP RAU. The system installs in a 19" equipment rack and is usually co-located with the RF source in a telecommunications closet.

**Downlink Path:** The Main Hub receives up to 3 individual (Band1, 2, or 3) downlink RF signals from a base station, repeater, or FlexWave Focus system using 50 Ohm coaxial cable. It converts the signals to IF then to optical and sends them to up to four Expansion Hubs using fiber optic cable.

The Main Hub also sends OA&M communication to the Expansion Hubs using the fiber optic cable. The Expansion Hubs, in turn, communicate the OA&M information to the RAUs using CATV cable.



**Uplink Path:** The Main Hub receives uplink optical signals from up to four Expansion Hubs using fiber optic cables. It converts the signals to IF then to RF and sends them to the respective Band1, 2, or 3 base station, repeater, or FlexWave Focus system using 50 Ohm coaxial cable.

The Main Hub also receives status information from the Expansion Hubs and all RAUs using the fiber optic cable.

**Figure 8.** Main Hub in a Fusion Wideband System

Figure 9 on page 31 shows a detailed view of the major RF and optical functional blocks of the Main Hub.

The Fusion Wideband One Port Main Hub (PNs: FSN-W1-MH-2-1P, FSN-W2-MH-3-1P, FSN-W3-MH-1P, FSN-W4-MH-1P, and FSN-W5-MH-1P) configuration is a cost reduced version of the Fusion Wideband Main Hub and supports only one Expansion Hub (up to 8 RAUs).

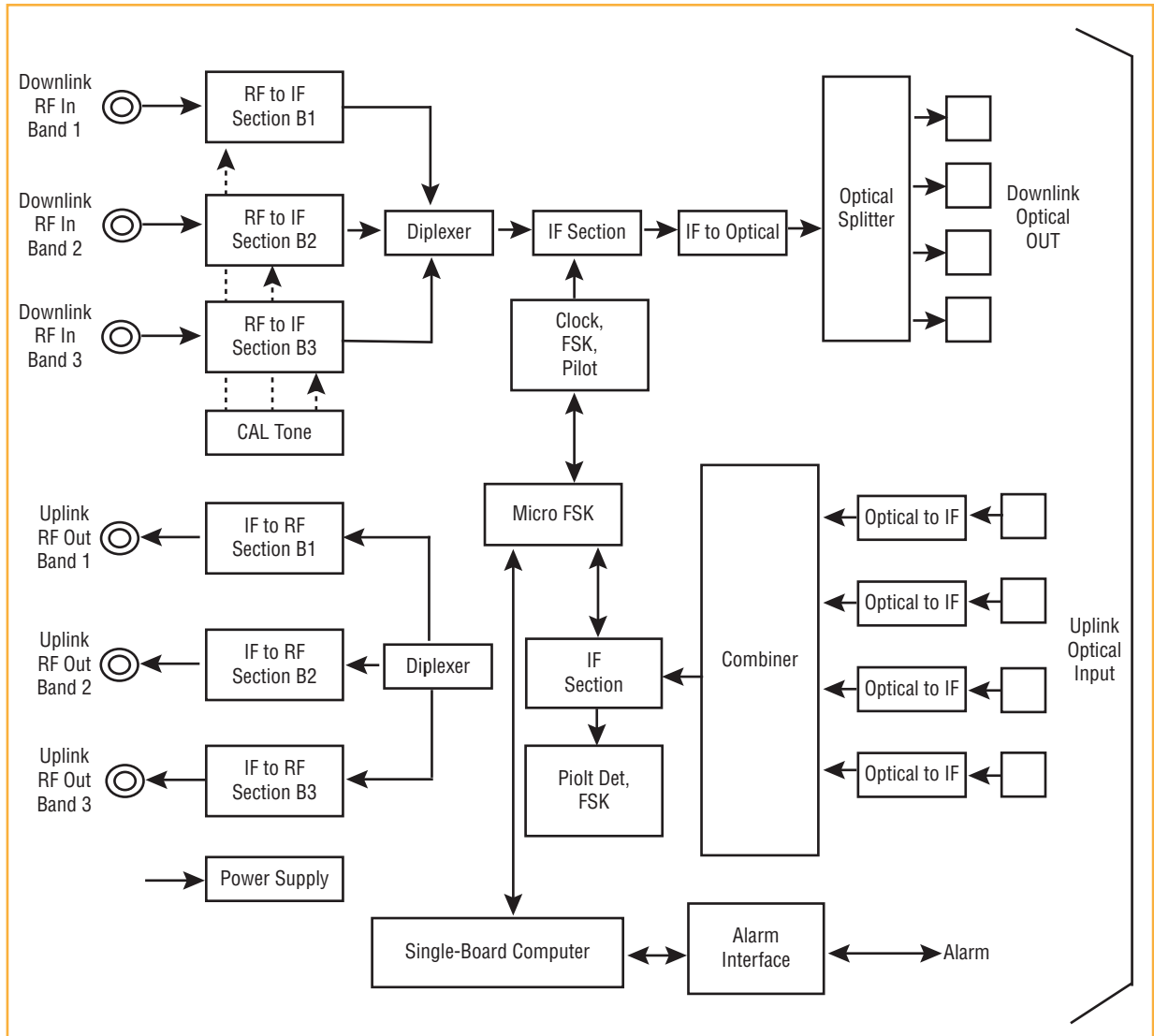
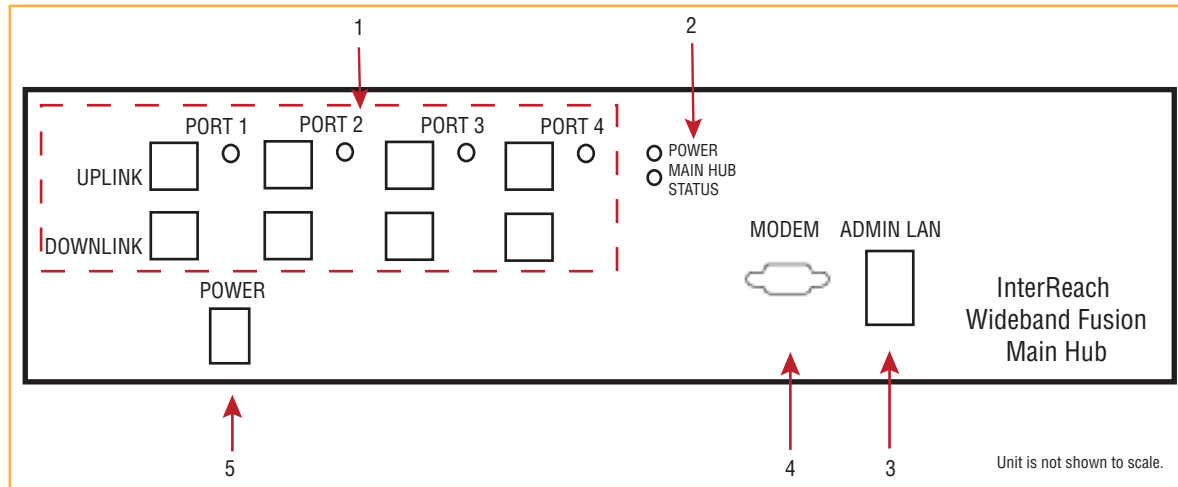


Figure 9. Main Hub Block Diagram

## FUSION WIDEBAND MAIN HUB FRONT PANEL



**Figure 10.** Fusion Wideband Main Hub Front Panel

Ref #	Description
1	Four fiber optic ports (labeled <b>PORT 1</b> , <b>PORT 2</b> , <b>PORT 3</b> , <b>PORT 4</b> ) with corresponding fiber port LEDs (one LED per port) <ul style="list-style-type: none"> <li>• One standard female SC/APC connector per port for MMF/SMF input (labeled <b>UPLINK</b>)</li> <li>• One standard female SC/APC connector per port for MMF/SMF output (labeled <b>DOWNLINK</b>)</li> <li>• One LED per port for port link status and downstream unit status</li> </ul>
2	One set of unit status LEDs <ul style="list-style-type: none"> <li>• One LED for unit power status (labeled <b>POWER</b>)</li> <li>• One LED for unit status (labeled <b>MAIN HUB STATUS</b>)</li> </ul>
3	One 9-pin D-sub male connector for system remote dial-up communication and diagnostics using a modem (labeled <b>MODEM</b> )
4	One RJ-45 female connector for system communication and diagnostics using a PC/laptop with direct connect or using a LAN switch (labeled <b>ADMIN/LAN</b> )
5	Power switch

**NOTE:** The Fusion Wideband One Port Main Hub (PNs: FSN-W1-MH-2-1P, FSN-W2-MH-3-1P, FSN-W3-MH-1P, FSN-W4-MH-1P, and FSN-W5-MH-1P) configuration is a cost reduced version of the Fusion Wideband Main Hub and supports only one Expansion Hub (up to 8 RAUs).



## Optical Fiber Uplink/Downlink Ports

The optical fiber uplink/downlink ports transmit and receive optical signals between the Main Hub and up to four Expansion Hubs using industry-standard SMF or MMF cable. There are four fiber ports on the front panel of the Main Hub; one port per Expansion Hub. Each fiber port has two female SC/APC connectors:

- **Optical Fiber Uplink Connector**—This connector (labeled Uplink) is used to receive the uplink optical signals from an Expansion Hub.
- **Optical Fiber Downlink Connector**—This connector (labeled DOWNlink) is used to transmit the downlink optical signals to an Expansion Hub.

**CAUTION!** To avoid damaging the Main Hub’s fiber connector ports, use only SC/APC fiber cable connectors when using either single-mode or multi-mode fiber. Additionally, it is critical to system performance that only SC/APC fiber connectors are used throughout the fiber network, including fiber distribution panels.

## Communications RS-232 Serial Connector

- **Remote Monitoring**—Use a standard serial cable to connect a modem to the 9-pin D-sub male serial connector for remote monitoring or configuring. The cable typically has a DB-9 female and a DB-9 female connector. Refer “DB-9 to DB-9 Null Modem Cable” on page 201 to for the cable pinout diagram.

Remote monitoring is also available by connecting the RJ-45 (ADMIN/LAN) port to a LAN switch for remote Ethernet LAN access or direct dial-up router access.

- **Local Monitoring**—Use a crossover Ethernet cable (PN-4069-ADB) to connect a laptop or PC to the RJ-45 female connector for local monitoring or configuring using the AdminBrowser resident software. The cable typically has a RJ-45 male connector on both ends. Refer to “TCP/IP Cross-Over Cable” on page 200 for the cable pinout.

## Main Hub LED Indicators

The unit’s front panel LEDs indicate faults and commanded or fault lockouts. The LEDs do not indicate warnings or whether the system test has been performed. Use the LEDs to provide basic information only, or as a backup when you are not using AdminBrowser.

Upon power up, the Main Hub goes through a 20-second test to check the LED lamps. During this time, the LEDs blink through the states shown in Table 3-1, letting you visually verify that the LED lamps and the firmware are functioning properly. Upon completion of initialization, the LEDs stay in one of the first two states shown in Table 3-1.





The Main Hub automatically sends the program bands command to all connected RAUs. A mismatched band causes a fault message to be displayed in AdminBrowser and places the RAU in a disabled condition.

**NOTE:** Refer to “Troubleshooting Using LEDs” on page 186 for troubleshooting using the LEDs.

**NOTE:** AdminBrowser should be used for troubleshooting the system. Only use LEDs for backup or confirmation. However, if there are communication problems within the system, the LEDs may provide additional information that is not available using AdminBrowser.













## Unit Status LEDs

The Main Hub has one pair of status LEDs, labeled power and status, which can be in one of the states shown in [Table 29](#). These LEDs can be:

- Steady green 
- Stead red 
- Off—no color (valid only during 90 second power cycle) 
- Flashing red at 60 Pulses per Minute (PPM) 





There is no off state when the unit’s power is on.

**Table 29.** Fusion Wideband Hub Status LED States

	LED State	Indicates
 POWER  STATUS	<ul style="list-style-type: none"> <li>• Green</li> <li>• Green</li> </ul>	<ul style="list-style-type: none"> <li>• The Main Hub is connected to power and all power supplies are operating.</li> <li>• The Main Hub is not reporting a fault; however, the system test may need to be performed or a warning condition may exist. Use AdminBrowser to determine this.</li> </ul>
 POWER  STATUS	<ul style="list-style-type: none"> <li>• Green</li> <li>• Red</li> </ul>	<ul style="list-style-type: none"> <li>• The Main Hub is connected to power and all power supplies are operating. Use AdminBrowser to power status.</li> <li>• The Main Hub is reporting a fault.</li> </ul>
 POWER  STATUS	<ul style="list-style-type: none"> <li>• Green</li> <li>• Flashing green</li> </ul>	<ul style="list-style-type: none"> <li>• The Main Hub is connected to power and all power supplies are operating. Use Admin Browser to determine power status.</li> <li>• The Main Hub is reporting a lockout condition; flashes green at 60 Pulses per Minute (PPM).</li> </ul>
 POWER  STATUS	<ul style="list-style-type: none"> <li>• Green</li> <li>• Red</li> </ul>	<ul style="list-style-type: none"> <li>• The Main Hub is connected to power and all power supplies are operating.</li> <li>• The Main Hub DL input signal level is too high; flashes red at 60 Pulses per Minute (PPM).</li> </ul>
 POWER  STATUS	<ul style="list-style-type: none"> <li>• Red</li> <li>• Red</li> </ul>	<ul style="list-style-type: none"> <li>• One or more power supplies are out-of-specification.</li> </ul>
 POWER  STATUS	<ul style="list-style-type: none"> <li>• Green</li> <li>• Red/Green (alternating)</li> </ul>	<ul style="list-style-type: none"> <li>• After the System CPU is rebooted, the MH status LED blinks red/green while the system tree data is built, power up system test is executed, and all units have their current status updated.</li> <li>• Should the MH status LED blink red/green after initial power up, either the System CPU has rebooted or a component of the software has reset.</li> </ul>

## Fiber Port LEDs

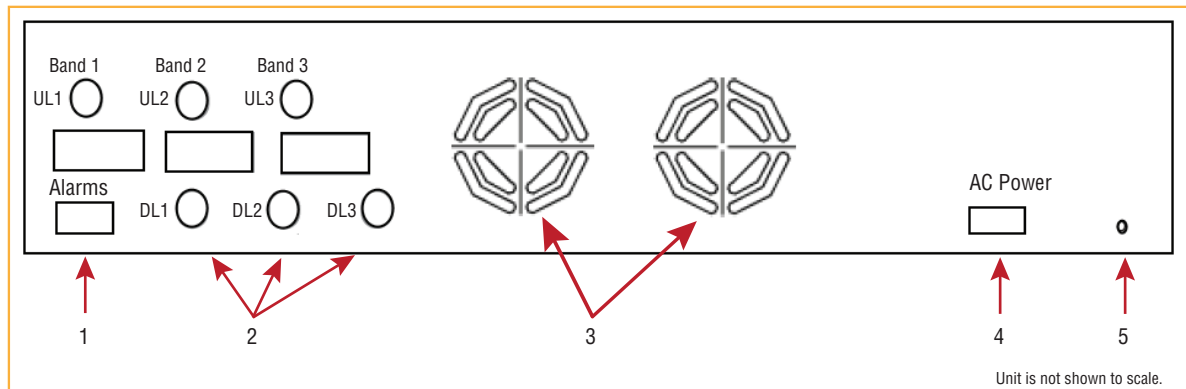
The Main Hub has one fiber port LED for each of the four fiber ports. The LED can be in one of the states shown in [Table 30 on page 35](#). This LED can be:

- Off 
- Steady green 
- Steady red 
- Flashing red (60 ppm) 

**Table 30.** Fusion Wideband Hub Port LED States

	LED State	Indicates
<b>PORT</b> ○	Off	<ul style="list-style-type: none"> <li>The Expansion Hub is not connected.</li> </ul>
<b>PORT</b> ●	Green	<ul style="list-style-type: none"> <li>The Expansion Hub is connected.</li> <li>There are no faults from the Expansion Hub or any connected RAU.</li> </ul>
<b>PORT</b> ●	Red (60 PPM)	<ul style="list-style-type: none"> <li>There was a loss of communications with the Expansion Hub.</li> </ul>
<b>PORT</b> ●	Red (Steady)	<ul style="list-style-type: none"> <li>The Expansion Hub is disconnected.</li> <li>The Expansion Hub or any connected RAU reported a fault.</li> </ul>
<b>PORT</b> ●	Green (60-ppm)	<ul style="list-style-type: none"> <li>The Expansion Hub or any connected RAU reported a lockout condition.</li> </ul>

## Fusion Wideband Main Hub Rear Panel

**Figure 11.** Fusion Wideband Main Hub Rear Panel

Ref #	Description
1	One 9-pin D-sub female connector labeled “Alarms” for contact alarm monitoring
2	Three N-type, female connectors for each band (Band 1, Band 2, and Band 3): <ul style="list-style-type: none"> <li>Uplink (labeled UI1, UI2, and UL3)</li> <li>Downlink (labeled DL1, DI2, and DL3)</li> </ul>
3	Two air exhaust vents
4	AC power cord connector
5	Ground lug labeled “Ground” that connects the unit to frame ground

## Fusion Wideband Main Hub Rear Panel Connectors

### 9-pin D-sub Connector

The 9-pin D-sub connector (labeled Alarms) provides a contact alarm for fault and warning system alarm monitoring. [Table 31](#) lists the pin function on the 9-pin D-sub connector.

**Table 31.** 9-Pin D-Sub Pin Connector Functions

Pin	Function
1	Alarm Sense Input (DC Ground)
2	Alarm Sense Input 3
3	Alarm Sense Input 2
4	Warning Source Contact (positive connection)
5	Warning Source Contact (negative connection)
6	DC Ground (common)
7	Fault Source Contact (positive connection)
8	Alarm Sense Input 1
9	Fault Source Contact (negative connection)

This interface can both generate two source contact alarms (Fault and Warning) and sense 3 single external alarm contacts (Alarm Sense Input 1 through 3).

### N-type Female Connectors

There are two 50 Ohm N-type connector pairs for each of the 3 bands on the rear panel of the Hub:

- The downlink connector receives downlink RF signals from a repeater, local base station, or FlexWave Focus system.
- The uplink connector transmits uplink RF signals to a repeater, local base station, or FlexWave Focus system.

**CAUTION!** The uplink and downlink ports cannot handle a DC power feed from the local base station. If DC power is present, a DC block must be used or the Fusion Wideband hub may be damaged.

## MAIN HUB SPECIFICATIONS

**Table 32.** Main Hub Specifications

Specification	Description
Enclosure Dimensions <sup>(a)</sup> (H x W x D)	89 mm x 438 mm x 381 mm 3.5 in. x 17.25 in. x 15 in. 2U
Weight	<5.5 kg <12 lb
Operating Temperature	0° to +45°C +32° to +113°F
Non-operating Temperature	-20° to +85°C -4° to +185°F
Operating Humidity, non-condensing	5% to 95%
External Alarm Connector (contact closure)	One 9-pin D-sub, female Maximum: 40 mA @ 40V DC Typical: 4 mA @ 12V DC
ADMIN/LAN Interface Connector	One RJ-45, female One 9-pin D-sub, male for optional modem
Fiber Connectors	Four Pair, SC/APC <sup>(b)</sup>
RF Connectors	Four N <sup>(c)</sup> , female (50 Ohm), 1 Downlink/Uplink pair per band
LED Fault and Status Indicators	Unit Status (One pair): <ul style="list-style-type: none"> <li>• Power</li> <li>• Main Hub Statu</li> </ul> Downstream Unit/Link Status (One per fiber port): <ul style="list-style-type: none"> <li>• Link/E-Hub/RAU</li> </ul>
AC Power	Rating 100/240V AC, 1A, 50-60 Hz Operating Range: 90-132V AC/170-250V AC auto-ranging
Power Consumption	30 Watts
MTBF	133,829 hours
<p>a Excluding angle brackets for the 19" rack mounting of the Hub.</p> <p>b It is critical to system performance that only SC/APC fiber connectors are used throughout the fiber network, including fiber distribution panels.</p> <p>c 6 N, female connectors for FSN-W2-MH-1, FSN-W2-MH-3, FSN-W4-MH-1, and FSN-W5-MH-1</p>	

**NOTE:** The Fusion Wideband One Port Main Hub (PNs: FSN-W1-MH-2-1P, FSN-W2-MH-3-1P, FSN-W3-MH-1P, FSN-W4-MH-1P, and FSN-W5-MH-1P) configuration is a cost reduced version of the Fusion Wideband Main Hub and supports *only one* Expansion Hub (up to 8 RAUs).

## FAULTS, WARNINGS, AND STATUS MESSAGES

The Fusion Wideband Main Hub monitors and reports changes or events in system performance to:

- Ensure that fiber receivers, amplifiers and IF/RF paths are functioning properly.
- Ensure that Expansion Hubs and Remote Access Units are connected and functioning properly.

### Events

An event is classified as fault, warning, or status message.

- Faults are service impacting.
- Warnings indicate a possible service impact.
- Status and informational messages are generally not service impacting.

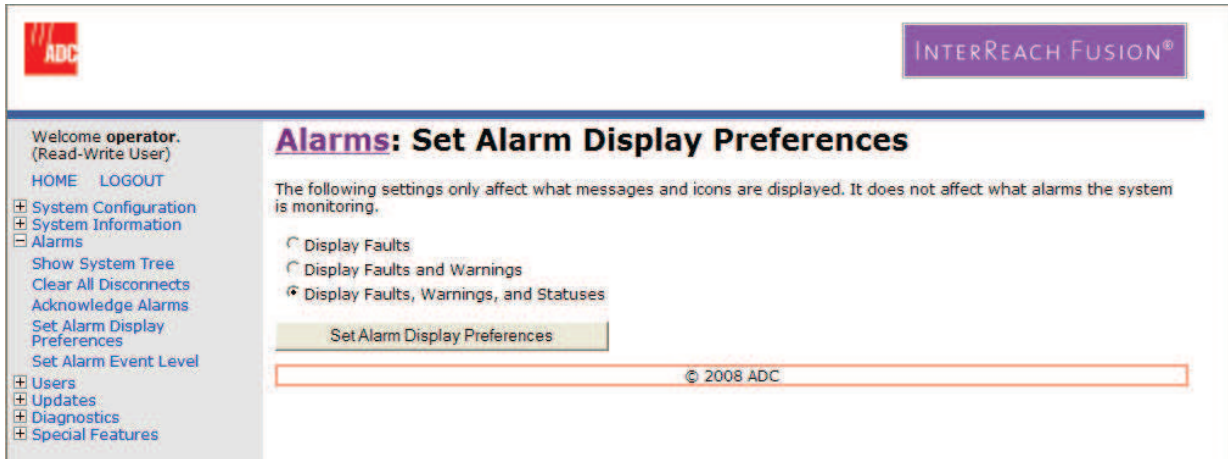
The Fusion Wideband Main Hub periodically queries attached Expansion Hub and Remote Access Units for their status. Both faults and warnings are reported to a connected PC/laptop running a standard browser communicating with the AdminBrowser software. Only faults are indicated by the faceplate LEDs.

For more information regarding the events, refer to:

- [“Appendix C: Faults, Warnings, Status Tables for Fusion, Fusion Wideband, Fusion SingleStar” on page 209](#) for
  - Main Hub faults
  - Main Hub warnings
  - Main Hub status messages
- [“Maintenance, Troubleshooting, and Technical Assistance” on page 181](#) for troubleshooting Main Hub LEDs.

### View Preference

AdminBrowser 1.0 or higher enables you to select (using the screen shown in [Figure 12](#)) the type of events to be displayed.



**Figure 12.** Preferences Check Boxes

To modify the setting, using AdminBrowser, select Alarms > Set Alarm Preference and select the desired choice. After you click OK, AdminBrowser refreshes and updates the tree view according to the new setting.

**NOTE:** The setting is strictly visual and only in AdminBrowser. There is no affect on the hardware itself. By default, the event filtering is set to “Enable viewing of Faults only”.

The only exception to when the event filtering is ignored is during the Install/Configure command. All events are displayed regardless of the event filtering setting. This ensures a smooth installation.





# FUSION WIDEBAND EXPANSION HUB

---

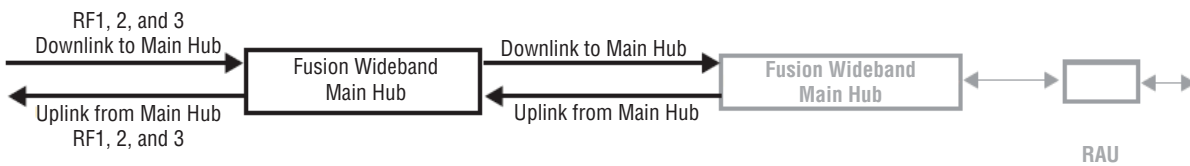
Topics	Page
<b>Expansion Hub Overview</b> .....	<b>42</b>
Expansion Hub Front Panel .....	44
75 Ohm Type F Connectors .....	45
Manufacturing RS-232 Serial Connector .....	45
Console Port .....	45
Local Monitoring.....	45
Optical Fiber Uplink/Downlink Connectors.....	45
LED Indicators.....	46
Unit Status and DL/UL Status LEDs .....	46
RJ-45 Port LEDs .....	48
<b>Expansion Hub Rear Panel</b> .....	<b>49</b>
<b>Faults, Warnings, and Status Messages</b> .....	<b>50</b>
<b>Expansion Hub Specifications</b> .....	<b>51</b>

---

## EXPANSION HUB OVERVIEW

The Expansion Hub acts an interface between the Main Hub and the Remote Access Unit(s) by converting optical signals to electrical signals and vice versa, as shown in [Figure 13](#). It also supplies control signals and DC power to operate the Remote Access Unit(s) as well as passing status information from the RAUs to the Main Hub.

**Downlink Path:** The Expansion Hub receives downlink (Band 1, 2, and 3) optical signals from the Main Hub using fiber optic cable. It converts the signals to electrical and sends them to up to eight Remote Access Units (RAUs) using CATV cables. The Expansion Hub also receives configuration information from the Main Hub using the fiber optic cable and relays it to the RAUs using CATV cable.



**Uplink Path:** The Expansion Hub receives uplink (Band 1, 2, and 3) IF signals from up to eight RAUs using CATV cables. It converts the signals to optical and sends them to a Main Hub using fiber optic cable.

The Expansion Hub also receives RAU status information using CATV cable and sends it and its own status information to the Main Hub using the fiber optic cable.

**Figure 13.** Expansion Hub in a Fusion Wideband System

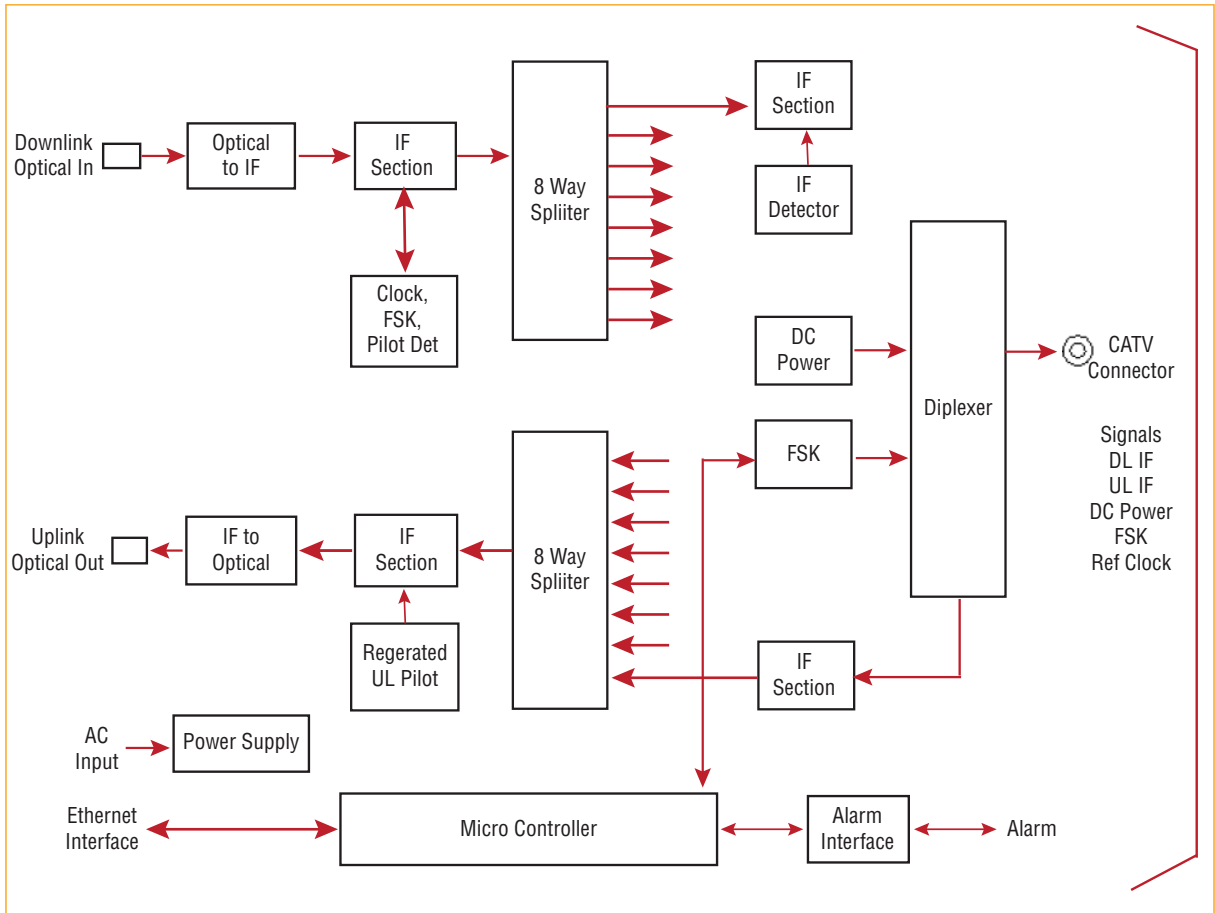


Figure 14. Expansion Hub Block Diagram

## Expansion Hub Front Panel

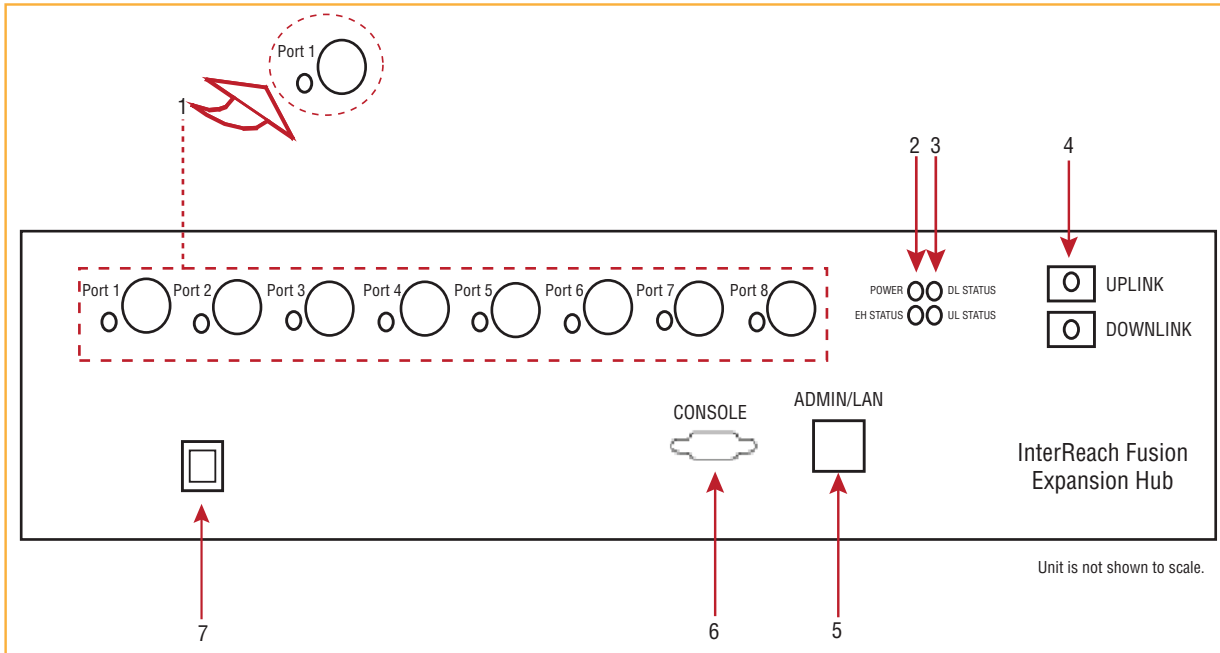


Figure 15. Expansion Hub Front Panel

Ref #	Description
1	One port LED and connector pair for 8 ports (labeled Port $n$ , where $n = 1 - 8$ ): <ul style="list-style-type: none"> <li>• One port LED per type F connector port for link status and downstream RAU status (8 pair total).</li> <li>• Eight CATV cable, type F connectors</li> </ul>
2	One pair of unit status LEDs <ul style="list-style-type: none"> <li>• One LED for unit power status (labeled <b>POWER</b>)</li> <li>• One LED for unit status (labeled <b>E-HUB STATUS</b>)</li> </ul>
3	One set of fiber status LEDs <ul style="list-style-type: none"> <li>• One LED for fiber uplink status (labeled <b>UL STATUS</b>)</li> <li>• One LED for fiber downlink status (labeled <b>DL STATUS</b>)</li> </ul>
4	One fiber optic port which has two connectors <ul style="list-style-type: none"> <li>• One standard female SC/APC connector for MMF/SMF output (labeled <b>Uplink</b>)</li> <li>• One standard female SC/APC connector for MMF/SMF input (labeled <b>Downlink</b>)</li> </ul>
5	One 9-pin D-sub male connector for TE factory testing (labeled Console)
6	One RJ-45 female connector for system communication and diagnostics using a PC/laptop with direct connect or using a LAN switch (labeled Admin/Lan)
7	Power Switch

## 75 Ohm Type F Connectors

The eight type F connectors on the Expansion Hub are for the CATV cables used to transmit and receive signals to and from RAUs. Use only 75 ohm type F connectors on the CATV cable.

The CATV cable also delivers DC electrical power to the RAUs. The Expansion Hub's DC voltage output is 54V DC nominal. A current limiting circuit protects the Hub if any port draws excessive power.

**NOTE:** For system performance, it is important to use only low loss solid copper center conductor CATV cable with quality type F connectors that use captive centerpin connectors. Refer to [“Appendix A: Cables and Connectors”](#) on page 191 for approved cables and connectors.

## Manufacturing RS-232 Serial Connector

### Console Port

This console port is only used by TE manufacturing test purposes. **DO NOT CONNECT ANYTHING TO IT.**

### Local Monitoring

Use a crossover Ethernet cable (PN-4069-ADB) to directly connect a laptop or PC to the RJ-45 female connector for local monitoring or configuring the Expansion Hub and associated RAUs using the AdminBrowser-EH resident software. The cable typically has a RJ-45 male connector on both ends. Refer to [“TCP/IP Cross-Over Cable”](#) on page 200 for the cable pinout and the AdminBrowser manual.

## Optical Fiber Uplink/Downlink Connectors

The optical fiber uplink/downlink port transmits and receives optical signals between the Expansion Hub and the Main Hub using industry-standard SMF or MMF cable. The fiber port has two female SC/APC connectors:

- **Optical Fiber Uplink Connector**—This connector (labeled **UPLINK**) is used to transmit (output) uplink optical signals to the Main Hub.
- **Optical Fiber Downlink Connector**—This connector (labeled **DOWNLINK**) is used to receive (input) downlink optical signals from the Main Hub.

**CAUTION!** To avoid damaging the Expansion Hub's fiber connector ports, use only SC/APC fiber cable connectors. Additionally, use only SC/APC fiber connectors throughout the fiber network, including fiber distribution panels. This is critical for ensuring system performance.

## LED Indicators

The unit’s front panel LEDs indicate fault conditions and commanded or fault lockouts. The LEDs do not indicate warnings or whether the system test has been performed. Only use the LEDs to provide basic information or as a backup when you are not using AdminBrowser.

Upon power up, the Expansion Hub goes through a five-second test to check the LED lamps. During this time, the LEDs blink through the states shown in Table 4-2, letting you visually verify that the LED lamps and the firmware are functioning properly.

**NOTE:** Refer to **“Maintenance, Troubleshooting, and Technical Assistance”** on page 181 for troubleshooting using the LEDs.

### Unit Status and DL/UL Status LEDs

The Expansion Hub unit status and DL/UL status LEDs can be in one of the states shown in Table 4-1. These LEDs can be:

- Steady green
- Stead red
- Off

**Table 33.** Expansion Hub Unit Status and DL/UL Status LED States

	LED State	Indicates
<b>POWER</b> ● ● <b>DL STATUS</b> <b>EH STATUS</b> ● ● <b>UL STATUS</b>	Green/Green Green/Green	<ul style="list-style-type: none"> <li>The Expansion Hub is connected to power and all power supplies are operating.</li> <li>The Expansion Hub is not reporting a fault or lockout condition; but the system test may need to be performed or a warning condition could exist (use AdminManager to determine this).</li> <li>Optical power received is above minimum (the Main Hub is connected) although the cable optical loss may be greater than recommended maximum.</li> <li>Optical power transmitted (uplink laser) is normal and communications with the Main Hub are normal.</li> </ul>
<b>POWER</b> ● ● <b>DL STATUS</b> <b>EH STATUS</b> ● ● <b>UL STATUS</b>	Green/Green Red/Green	<ul style="list-style-type: none"> <li>Optical power received is above minimum (the Main Hub is connected) although the cable optical loss may be greater than recommended maximum.</li> <li>Optical power transmitted (uplink laser) is normal and communications with the Main Hub are normal.</li> <li>The Expansion Hub is reporting a fault.</li> </ul>
<b>POWER</b> ● ● <b>DL STATUS</b> <b>EH STATUS</b> ● ● <b>UL STATUS</b>	Green/Green Green/Green (60-ppm)	<ul style="list-style-type: none"> <li>Optical power received is above minimum (the Main Hub is connected) although the cable optical loss may be greater than recommended maximum.</li> <li>Optical power transmitted (uplink laser) is normal and communications with the Main Hub are normal.</li> <li>The Expansion Hub is reporting a commanded lockout.</li> </ul>
<b>POWER</b> ● ● <b>DL STATUS</b> <b>EH STATUS</b> ● ● <b>UL STATUS</b>	Green/Red Red/Green	<ul style="list-style-type: none"> <li>A fault condition was detected; optical power received is below minimum. (The Main Hub is not connected, is not powered, or the Main Hub’s downlink laser has failed, or the downlink fiber is disconnected or damaged.)</li> </ul>

**Table 33.** Expansion Hub Unit Status and DL/UL Status LED States (Cont.)

	LED State	Indicates
<b>POWER</b> ● ● <b>DL STATUS</b> <b>EH STATUS</b> ● ● <b>UL STATUS</b>	Green/Green Red/Red	<ul style="list-style-type: none"> <li>The Expansion Hub is reporting a fault condition.</li> <li>Optical power received is above minimum (Main Hub is connected) although the cable optical loss may be greater than recommended maximum.</li> <li>Optical power transmitted is below minimum (Expansion Hub uplink laser has failed; unable to communicate with Main Hub). <b>UL STATUS</b> LED state must be checked within the first 90 seconds after power on. If initially green, then red after 90 seconds, it means that there is no communication with the Main Hub. If red on power up, replace the Expansion Hub.</li> </ul>
<b>POWER</b> ● ● <b>DL STATUS</b> <b>EH STATUS</b> ● ● <b>UL STATUS</b>	Green/Red Red/Red	<ul style="list-style-type: none"> <li>Optical power received is below minimum (the Main Hub is not connected, is not powered, or the Main Hub's downlink laser has failed, or the downlink fiber is disconnected or damaged.)</li> <li>Optical power transmitted is below minimum (the Expansion Hub uplink laser has failed; is unable to communicate with the Main Hub). <b>UL STATUS</b> LED state must be checked within the first 90 seconds after power on. If initially green, then red after 90 seconds, it means that there is no communication with the Main Hub. If red on power up, the uplink laser has failed, replace the Expansion Hub.</li> </ul>
<b>POWER</b> ● ● <b>DL STATUS</b> <b>EH STATUS</b> ● ● <b>UL STATUS</b>	Green/Off Green/Off	<ul style="list-style-type: none"> <li>Expansion Hub is in factory test mode, return it to the factory.</li> </ul>
<b>POWER</b> ● ● <b>DL STATUS</b> <b>EH STATUS</b> ● ● <b>UL STATUS</b>	Red/Don't Care Red/Don't Care	<ul style="list-style-type: none"> <li>One or more power supplies are out of specification. The hub needs to be replaced.</li> </ul>
<b>POWER</b> ● ● <b>DL STATUS</b> <b>EH STATUS</b> ● ● <b>UL STATUS</b>	Green/Red Off/Off	<ul style="list-style-type: none"> <li>Expansion Hub failure. The Hub must be replaced.</li> </ul>

## RJ-45 Port LEDs

The Expansion Hub has a port LED, labeled **PORT**, for each of the eight 75 Ohm, Type F ports. The port LEDs can be in one of the states shown in Table 4-2. These LEDs can be:

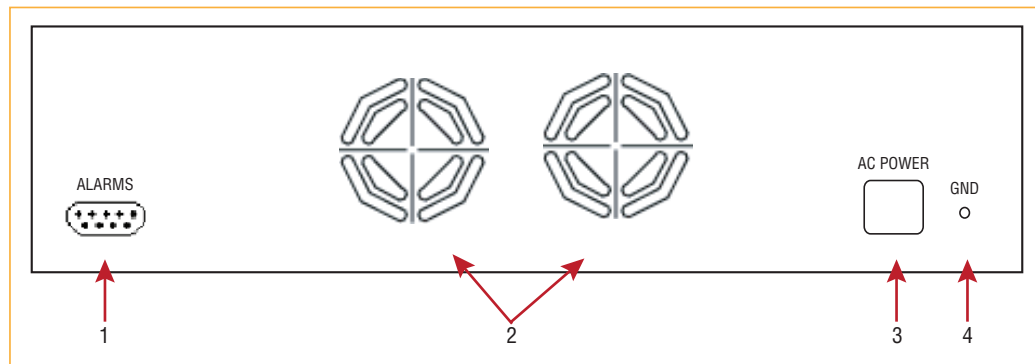
- Off
- Steady green
- Stead red
- Off—no color (valid only during 90 second power cycle)
- Flashing red at 60 Pulses per Minute (PPM)

**Table 34.** Fusion Expansion Hub Port LED States

	LED State	Indicates
<b>PORT</b> ○	Off	The RAU is not connected.
<b>PORT</b> ●	Green	The RAU is connected or there are no faults from the RAU.
<b>PORT</b> ●	Flashing red	Flashing red at 60 Pulses per Minute (PPM). <ul style="list-style-type: none"> <li>● The RAU was disconnected.</li> <li>● The RAU is not communicating.</li> <li>● The RAU port power is tripped.</li> </ul>
<b>PORT</b> ●	Red	The RAU is disconnected or the RAU is reporting a fault.
<b>PORT</b> ●	Flashing green	Flashing green at 60 Pulses per Minute (PPM). <ul style="list-style-type: none"> <li>● The RAU is disconnected.</li> <li>● The RAU is reporting a lockout condition.</li> </ul>



## EXPANSION HUB REAR PANEL



**Figure 16.** Expansion Hub Rear Panel

Ref #	Description
1	AC power cord connector
2	Two air exhaust vents
3	One 9-pin D-sub female connector labeled ALARMS for contact alarm monitoring; for pinouts, see <a href="#">Table 35</a>
4	Ground lug labeled GROUND for connecting unit to frame ground

**Table 35.** 9-Pin D-Sub Pin Connector Functions

Pin	Function
1	Alarm Sense Input (DC Ground)
2	Alarm Sense Input 3
3	Alarm Sense Input 2
4	N/C
5	N/C
6	DC Ground (common)
7	N/C
8	Alarm Sense Input 1
9	N/C

This interface can monitor three single external alarm contacts (Alarm Sense Input 1 This interface monitors the output contact closures from a Universal Power Supply (UPS). Verify the output contact closure state (normally closed or normally open) of the UPS, and set the appropriate contact definition using AdminBrowser.

- Faults are service impacting.
- Warnings indicate a possible service impact.
- Status messages are generally not service impacting.

## FAULTS, WARNINGS, AND STATUS MESSAGES

Both fault and warning conditions of the Expansion Hub and attached RAUs are reported to the Main Hub. Only faults are indicated by LEDs.

For more information, refer to “Appendix C: Faults, Warnings, Status Tables for Fusion, Fusion Wideband, Fusion SingleStar” on page 209.

**NOTE:** You can select what type of events AdminBrowser displays. Refer to “View Preference” on page 38.

## EXPANSION HUB SPECIFICATIONS

**Table 36.** Expansion Hub Specifications

Specification	Description
Enclosure Dimensions (H × W × D)	89 mm x 438 mm x 381 mm 3.5 in. x 17.25 in. x 15 in. 2U
Weight	< 6.6 kg < 14.5 lb.
Operating Temperature	0° to +45°C +32° to +113°F
Non-operating Temperature	-20° to +85°C -4° to +185°F
Operating Humidity, non-condensing	5% to 95%
CATV Connectors <sup>(a)</sup>	8 F, female (CATV - 75 Ohm)
Fiber Connectors <sup>(b)</sup>	1 Pair, SC/APC
LED Alarm and Status Indicators	Unit Status (1 pair): <ul style="list-style-type: none"> <li>• POWER</li> <li>• E-HUB STATUS</li> </ul> Fiber Link Status (1 pair): <ul style="list-style-type: none"> <li>• DL STATUS</li> <li>• UL STATUS</li> </ul> Port Status (1 pair per CATV port): <ul style="list-style-type: none"> <li>• Link/RAU</li> </ul>
External Alarm Connector (contact sense monitor)	1 9-pin D-sub, female
AC Power (Volts) (47–63 Hz)	Rating: 100/240V AC, 6A, 50-60 Hz Operating Range: 90-132V AC/170-250V AC auto-ranging
Power Consumption (W)	4 RAUs: 290 typical, 360 maximum 8 RAUs: 500 typical, 630 maximum
MTBF	54,477 hours
<p>a It is important that you use only recommended CATV 75 Ohm cable with quality F connectors.</p> <p>b It is critical to system performance that only SC/APC fiber connectors are used throughout the fiber network, including fiber distribution panels.</p>	



# REMOTE ACCESS UNIT

---

Topics	Page
<b>Overview</b> .....	<b>54</b>
<b>Remote Access Unit Connectors</b> .....	<b>57</b>
50 Ohm Type-N Connector.....	57
75 Ohm Type-F Connector .....	57
<b>RAU LED Indicators</b> .....	<b>58</b>
Status LEDs .....	58
<b>Faults and Warnings</b> .....	<b>59</b>
<b>Remote Access Unit Specifications</b> .....	<b>60</b>

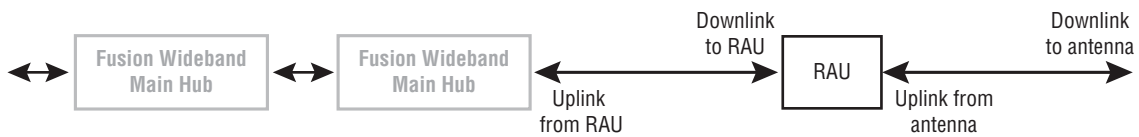
---

## OVERVIEW

The Remote Access Unit (RAU) is an active transceiver that connects to an Expansion Hub using industry-standard CATV cable, which delivers RF signals, configuration information, and electrical power to the RAU.

An RAU passes converted 1F to RF (Downlink) and converted RF to 1F (Uplink) signals between an Expansion Hub and an attached passive antenna where the signals are transmitted to wireless devices as shown in Figure 17.

**Downlink Path:** The RAU receives downlink IF signals from a Fusion Wideband Hub using 75 Ohm CATV cable. It converts the signals to RF and sends them to a passive RF antenna using 50 Ohm coaxial cable. Also, the RAU receives configuration information from the Fusion Wideband Hub using the 75 Ohm CATV cable.



**Uplink Path:** The RAU receives uplink RF signals from a passive RF antenna using 50 Ohm coaxial cable. It converts the signals to IF and sends them to a Fusion Wideband Hub using 75 Ohm CATV cable. Also, the RAU sends its status information to the Fusion Wideband Hub using CATV cable.

The RAU receives 54VDC power from the Fusion Wideband Hub port through the 75 Ohm CATV cable center pin.

Figure 17. Remote Access Unit in a Fusion Wideband System

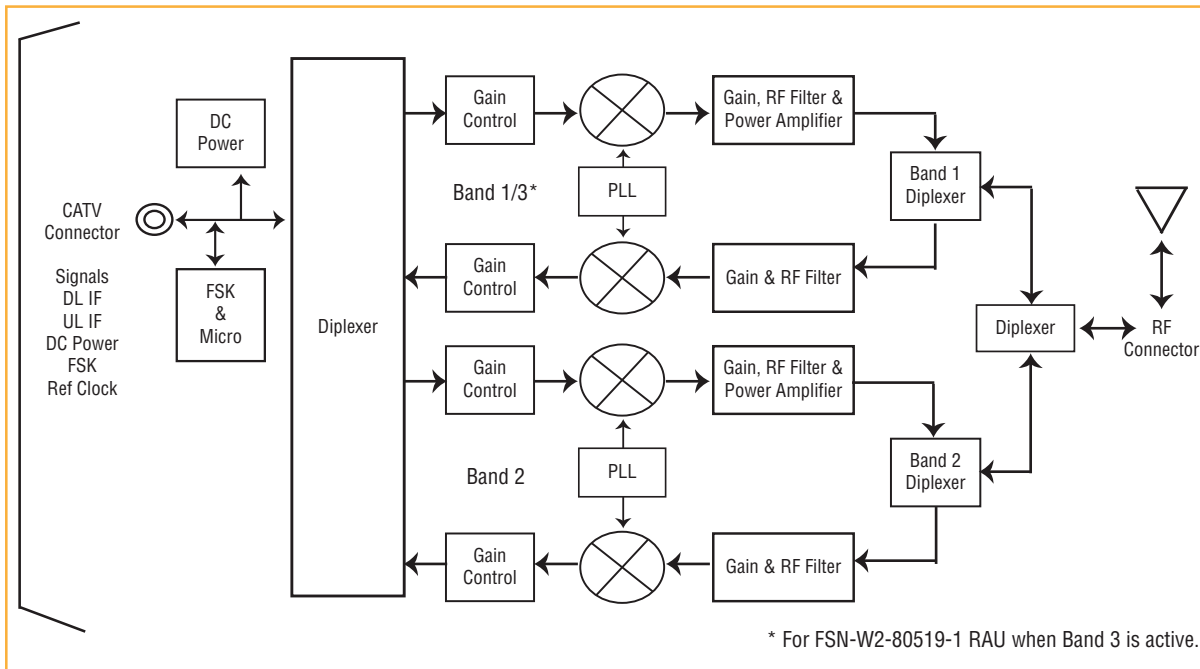


Figure 18. Remote Access Unit Block Diagram (Multiband)

The Fusion Wideband RAUs are manufactured to a specific set of bands: one 60 MHz Band 1 (split into two sub-bands 1A and 1B for the FSN-W2-808519-1 RAU), and one 75 MHz Band 2. Table 5-1 lists the Fusion Wideband RAUs, the Fusion Wideband Band, and the frequency bands they cover.

**Table 37.** Frequency Bands Covered by Fusion Wideband RAUs

Fusion Wideband RAU	Part Number	Fusion Wide-band Band	RF Passband			
			Downlink (MHz)	Uplink (MHz)	MAIN HUB/RAU Band	RAU Band-width
2100/1800 2100 HP/1800 HP	FSN-W1-2118-1	2100	2110-2170	1920-1980	1	60 MHz
	FSN-W1-2118-1-HP	1800	1805-1880	1710-1785	2	75 MHz
2100 High Power (single-band RAU)	FSN-W1-21HP-1	2100	2110-2170	1920-1980	1	60 MHz
1900/AWS	FSN-W1-1921-1	1900 (A-F)	1930-1990	1850-1910	1	60 MHz
		AWS	2110-2155	1710-1755	2	45 MHz
800/850/1900	FSN-W2-808519-1	800	851-869	806-824	1 (sub-band 1A)	18 MHz
		850	869-894	824-849	3 (sub-band 1B)	25 MHz
		1900 (A-F)	1930-1990	1850-1910	2	60 MHz
700/AWS	FSN-W2-7021-1	700 (Upper C)	746-757	776-787	1 (sub-band 1A)	11 MHz
		700 (Lower ABC)	728-746	698-716	3 (sub-band 1B)	18 MHz
		AWS	2110-2155	1710-1755	2	45 MHz
700/700 MIMO (Upper C)	FSN-W2-7575-1	700 (Upper C)	746-757	776-787	1 (sub- band 1A)	11 MHz
		700 (Upper C)	746-757	776-787	3 (sub- band 1B)	11 MHz
700/700 MIMO (Lower ABC)	FSN-W2-7070-1	700 (Lower ABC)	728-746	698-716	1 (sub- band 1A)	18 MHz
		700 (Lower ABC)	728-746	698-716	3 (sub- band 1B)	18 MHz
700 ABC/AWS HP/AWS HP	FSN-W4-702121-1-HP	AWS	2110-2155	1710-1755	1 (sub-band 1A)	45 MHz
		700 (Lower ABC)	728-746	698-716	3 (sub-band 1B)	18 MHz
		AWS	2110-2155	1710-1755	2	45 MHz
700 UC/AWS HP/AWS HP	FSN-W4-752121-1-HP	AWS	2110-2155	1710-1755	1 (sub-band 1A)	45 MHz
		700 (Upper C)	746-757	776-787	3 (sub-band 1B)	11 MHz
		AWS	2110-2155	1710-1755	2	45 MHz
850/1900 HP/AWS HP	FSN-W5-851921-1-HP	AWS	2110-2155	1710-1755	1 (sub-band 1A)	45 MHz
		850	869-894	824-849	3 (sub-band 1B)	25 MHz
		1900 (A - G)	1930-1995	1850-1915	2	65 MHz

**Table 37.** Frequency Bands Covered by Fusion Wideband RAUs (Cont.)

Fusion Wideband RAU	Part Number	Fusion Wide-band Band	RF Passband			
			Downlink (MHz)	Uplink (MHz)	MAIN HUB/RAU Band	RAU Band-width
2500/2500	FSN-2500-2-WMAX	2500	2496-2690	2496-2690	1	30 MHz
		2500	2496-2690	2496-2690	2	30 MHz
2600/2600	FSN-W3-2626-1	2600	2620-2690	2500-2570	1	70 MHz
		2600	2620-2690	2500-2570	2	70 MHz

**Table 38.** System Gain (Loss) Relative to CATV Cable Length

Cable Type	CommScope Part Number	Plenum Rated	Solid Copper Conductor	Copper Clad Conductor	Zero-loss RF Maximum Length (meters)	Distance RF is 10dB Below Input RF (meters)
<b>RG-59</b>	2065V	Yes	X		130	180
	2022V	Yes		X	100	100*
	5572R	No		X	95	95*
	5565	No	X		130	180
<b>RG-6</b>	2279V	Yes	X		140	190
	2275V	Yes		X	140	150*
	5726	No		X	140	140*
	5765	No	X		140	190
<b>RG-11</b>	2293K	Yes	X		235	320
	2285K	Yes		X	235	300*
	5913	No		X	235	300*

\* Exceeding the distance of copper-clad cable will result in the attached RAU becoming non-functional. If the distance of a cable run is at its maximum and is of concern, TE recommends the use of solid copper cable to ensure successful operation



---

## REMOTE ACCESS UNIT CONNECTORS

### 50 Ohm Type-N Connector

The RAU has one female type-N connector (two female type-N connectors for FSN-W1-1921-1, FSN-W2-808519-1, FSN-W2-7070-1, FSN-W2-7575-1, FSN-W3-2626-1, FSN-W4-702121-1-HP, FSN-W4-752121-1-HP, FSN-W5-851921-1-HP, and FSN-2500-2-WMAX RAUs). The connector is a duplexed RF input/output port that connects to a standard 50W passive antenna using coaxial cable.

### 75 Ohm Type-F Connector

The RAU has one type-F female connector that connects it to a Fusion Wideband Hub using CATV 75 Ohm cable. Use RG-59, 6, or 11 solid copper center conductor cables.

**NOTE:** For system performance, it is important that you use only low loss, solid copper center conductor CATV cable with quality F connectors that use captive centerpin conductors. Refer to [“Appendix A: Cables and Connectors”](#) on page 191 for specific information.

## RAU LED INDICATORS

Upon power up, the RAU goes through a two-second test to check the LED lamps. During this time, the LEDs blink green/green red/red, letting you visually verify that the LED lamps and the firmware are functioning properly.

**NOTE:** Refer to “Maintenance, Troubleshooting, and Technical Assistance” on page 181 for troubleshooting using the LEDs.

### Status LEDs

The RAU status LEDs can be in one of the states shown in Table 5-3. These LEDs can be:

- Steady green
- Steady red
- Off

**Table 0-1 Remote Access Unit LED States**

	LED State	Indicates
<b>LINK</b> ○ <b>ALARM</b> ○	Off Off	The RAU is not receiving DC power.
<b>LINK</b> ● <b>ALARM</b> ●	Green Green	The RAU is powered and is not indicating a fault condition. Communication with the Fusion Wideband Hub is normal; however, the system test may need to be performed or a warning condition may exist (use AdminBrowser to determine this).
<b>LINK</b> ● <b>ALARM</b> ●	Green Red	The RAU is indicating a fault or lockout condition, but communication with the Fusion Wideband Hub is normal.
<b>LINK</b> ● <b>ALARM</b> ●	Red Red	The RAU is reporting a fault and is not able to communicate with the Fusion Wideband Hub
<b>LINK</b> ● <b>ALARM</b> ●	Green (60-ppm) Green (60-ppm)	The RAU is reporting a lockout condition, but communication with the Fusion Wideband Hub is normal.

## FAULTS AND WARNINGS

Both fault and warning conditions are reported to the Fusion Wideband Hub where they are stored. Only faults are indicated by the faceplate LEDs.

For more information, refer to [“Appendix C: Faults, Warnings, Status Tables for Fusion, Fusion Wideband, Fusion SingleStar”](#) on page 209.

## REMOTE ACCESS UNIT SPECIFICATIONS

**Table 39.** Remote Access Unit Specifications

Specification	Description
Dimensions (H × W × D)	54 mm × 286 mm × 281 mm (2.13 in. × 11.25 in. × 11.13 in.)
Weight	< 2.1 kg (< 4.6 lb.)
Operating Temperature	−25° to +45°C (−13° to +113°F)
Non-operating Temperature	−25° to +85°C (−13° to +185°F)
Operating Humidity, non-condensing	5% to 95%
RF Connectors	One Type-F, female (CATV - 75 ohms) One Type-N, female* (coaxial 50 ohms)
LED Alarm and Status Indicators	Unit Status (1 pair): <ul style="list-style-type: none"> <li>• Link</li> <li>• Alarm</li> </ul>
Maximum Heat Dissipation (W)	50 typical, 64 max (from the Hub)
MTBF	202,684 hours
* Two type N female connectors for FSN-W1-1921-1, FSN-W2-808519-1, FSN-W2-7070-1, FSN-W2-7575-1, FSN-W3-2626-1, FSN-W4-702121-1-HP, FSN-W4-752121-1-HP, FSN-W5-851921-1-HP, and FSN-2500-2-WMAX RAUs	

**NOTE:** For system performance, it is important that you use only low loss, solid copper center conductor CATV cable with quality F connectors that use captive centerpin conductors. Refer to “[Appendix A: Cables and Connectors](#)” on page 191 for more information.

# DESIGNING A FUSION WIDEBAND SOLUTION

Topics	Page
<b>Overview</b> .....	<b>62</b>
<b>Downlink RSSI Design Goal</b> .....	<b>64</b>
<b>Maximum Output Power per Carrier</b> .....	<b>65</b>
700/AWS RAU (FSN-W2-7021-1) .....	65
700 MHz (Upper C) MIMO RAU (FSN-W2-7575-1) .....	67
700 MHz (Lower ABC) MIMO RAU (FSN-W2-7070-1) .....	67
700 ABC/AWS HP/AWS HP RAU (FSN-W4-702121-1-HP) .....	68
700 UC/AWS HP/AWS HP RAU (FSN-W4-752121-1-HP) .....	69
800/850/1900 RAU (FSN-W2-808519-1) .....	70
850/1900 HP/AWS HP RAU (FSN-W5-851921-1-HP) .....	73
1900/AWS RAU (FSN-W1-1921-1) .....	75
2100/1800 RAU (FSN-W1-2118-1) .....	77
2100 HP/1800 HP RAU (FSN-W1-2118-1-HP) .....	78
2100 High Power RAU (FSN-W1-21HP-1) .....	79
2500/2500 WiMAX RAU (FSN-2500-2-WMAX) .....	79
2600 MHz MIMO RAU (FSN-W3-2626-1) .....	79
Designing for Capacity Growth .....	80
<b>System Gain</b> .....	<b>81</b>
<b>Estimating RF Coverage</b> .....	<b>82</b>
Equation 1 .....	82
Equation 2—Path Loss Equation .....	83
RAU Coverage Distance .....	84
Equation 3 .....	84
Equation 4—Path Loss Equation .....	85
Example Design Estimate for an 1900 MHz CDMA Application .....	87
<b>Link Budget Analysis</b> .....	<b>89</b>
Elements of a Link Budget for Narrowband Standards .....	89
Narrowband Link Budget Analysis for a Microcell Application .....	91
Elements of a Link Budget for CDMA Standards .....	93
Other CDMA Issues .....	95
CDMA Link Budget Analysis for a Microcell Application .....	96
Considerations for Re-Radiation (Over-the-Air) Systems .....	99
<b>Optical Power Budget</b> .....	<b>100</b>
<b>Connecting a Main Hub to a Base Station</b> .....	<b>101</b>
Uplink Attenuation .....	102
RAU Attenuation and ALC .....	102
Using the RAU 10 dB Attenuation Setting .....	103
Using the Uplink ALC Setting .....	104

## OVERVIEW

Designing a Fusion Wideband solution is a matter of determining coverage and capacity needs. This requires the following steps:

**1 Determine the wireless service provider's requirements; refer to "Downlink RSSI Design Goal" on page 64.**

The following information is typically provided by the service provider:

- Frequency (for example, 1900 MHz)
- Band (for example, "A-F" band in the PCS spectrum)
- Protocol (for example, CDMA, GSM, 1xRTT, GPRS, and so on)
- Number of sectors and peak capacity per sector (translates to the number of RF carriers that the system will have to transmit)
- Downlink RSSI design goal (RSSI, received signal strength at the wireless handset, for example, -85 dBm)

The design goal is always a stronger signal than the mobile phone needs. It includes inherent factors which affect performance.

- RF source (base station or bidirectional amplifier or repeater), type of equipment if possible.

**2 Determine the downlink power per carrier from the RF source through the DAS; refer to "Maximum Output Power per Carrier" on page 65.**

The maximum power per carrier is a function of modulation type, the number of RF carriers, signal quality issues, regulatory emissions requirements, and Fusion Wideband's RF performance. Power per carrier decreases as the number of carriers increases.

**3 Develop an RF link budget; refer to "Estimating RF Coverage" on page 82.**

Knowing both the power per carrier and RSSI design goal, you can develop an RF downlink link budget which estimates the allowable path loss from an RAU's antenna to the wireless handset.

$$\text{allowable path loss} = \text{power per carrier} + \text{antenna gain} - \text{design goal}$$

Satisfactory performance can be expected as long as path loss is below this level.

**4 Determine the in-building environment; refer to “Estimating RF Coverage” on page 82.**

- Determine which areas of the building require coverage (entire building, public areas, parking levels, and so on.)
- Obtain floor plans to determine floor space of building and the wall layout of the proposed areas to be covered. Floor plans are also useful when you are selecting antenna locations.
- If possible, determine the building’s construction materials (sheetrock, metal, concrete, and so on.)
- Determine the type of environment:
  - Open layout (for example, a convention center)
  - Dense, close walls (for example, a hospital)
  - Mixed use (for example, an office building with hard wall offices and cubicles)

**5 Determine the appropriate estimated path loss slope that corresponds to the type of building and its layout, and estimate the coverage distance for each RAU; refer to “Estimating RF Coverage” on page 82.**

Use the path loss slope (PLS), which gives a value to the RF propagation characteristics within the building, to convert the RF link budget into an estimate of the coverage distance per antenna. This helps establish the quantities of Fusion Wideband equipment you need. The actual path loss slope that corresponds to the specific RF environment inside the building can also be determined empirically by performing an RF site-survey of the building. This involves transmitting a calibrated tone for a fixed antenna and making measurements with a mobile antenna throughout the area surrounding the transmitter.

**6 Determine the items required to connect to the base station; refer to “Connecting a Main Hub to a Base Station” on page 101.**

Once you know the quantities of Fusion Wideband equipment to be used, you can determine the accessories (combiners/dividers, surge suppressors, repeaters, attenuators, circulators, and so on.) required to connect the system to the base station.

The individual elements that must be considered in designing a Fusion Wideband solution are explained in the following sections.

**NOTE:** Access the TE Customer Portal for on-line dimensioning and design tools; see “TE Customer Portal” on page 3.

## DOWNLINK RSSI DESIGN GOAL

Wireless service providers typically provide a minimum downlink signal level and an associated confidence factor when specifying coverage requirements. These two figures of merit are a function of wireless handset sensitivity and margins for fading and body loss. Wireless handset sensitivity is the weakest signal that the handset can process reliably and is a combination of the thermal noise in the channel, noise figure of the handset receiver front end and minimum required SNR. Fade margins for multipath fading (fast or small-scale) and log-normal shadow fading (slow or large-scale) are determined by the desired confidence factor, and other factors. Downlink RSSI design goal calculations for the GSM protocol are shown below for a 95% area coverage confidence factor.

Noise Power	-121 dBm
10 Log (KT)+10 Log (200 KHz); K=1.38X10 <sup>-23</sup> , T=300 degrees Kelvin	
Wireless Handset Noise Figure	8 dB
Required SNR	9 dB
Multipath Fade Margin	6 dB
95% Reliability for Rician K=6 dB	
Log-normal Fade Margin	10 dB
95% Area/87% Edge Reliability for 35 dB PLS and 9 dB Sigma	
Body Attenuation	+ 3 dB
Downlink RSSI Design Goal (PDesignGoal)	-85 dBm
Signal level received by wireless handset at edge of coverage area	

Downlink design goals on the order of -85 dBm are typical for protocols, such as GSM. Wireless service providers may choose a higher level to ensure that in-building signal dominates any macro signal that may be leaking into the building.



## MAXIMUM OUTPUT POWER PER CARRIER

The following tables show the recommended maximum power per carrier out of the RAU 50 Ohm Type-N connector for different frequencies, protocols, and numbers of carriers. These maximum levels are dictated by RF signal quality and regulatory emissions issues. In general, as the number of RF carrier increases, the maximum power per carrier decreases. If these levels are exceeded, signal quality will be degraded and/or regulator requirements will be violated. The maximum input power to the Hub is determined by subtracting the system gain from the maximum output power of the RAU. System gain is software selectable from 0 dB to 15 dB in 1 dB steps. Additionally, both the uplink and downlink gain of each RAU can be attenuated 0 or 10 dB.

When connecting a Hub to a base station or repeater, attenuation on the downlink is typically required to avoid exceeding Fusion Wideband's maximum output power recommendations.

**CAUTION!** Exceeding the maximum input power may cause permanent damage to the Hub. Do not exceed the maximum composite input power of 1W (+30 dBm) to the Hub at any time.

**NOTE:** These specifications are for downlink power at the RAU output (excluding antenna).

### 700/AWS RAU (FSN-W2-7021-1)

**Table 40.** 700 MHz (Lower A, B, C) Power per Carrier

Number of Carriers	Power per Carrier (dBm)	
	WCDMA	LTE
1	14.0	14.0
2	11.0	11.0
3	9.0	9.0
4	8.0	8.0
5	7.0	7.0

**Note:** Operation at or above these output power levels may prevent Fusion Wideband from meeting RF performance specifications or FCC Part 15 and EN55022 emissions requirements.

**Table 41.** 700 MHz (Upper C) Power per Carrier

Number of Carriers	Power per Carrier (dBm)	
	LTE	
1	14.0	
2	11.0	
3	9.0	
4	8.0	
5	7.0	

**Note:** Operation at or above these output power levels may prevent Fusion Wideband from meeting RF performance specifications or FCC Part 15 and EN55022 emissions requirements.

**Table 42.** AWS Power per Carrier

Number of Carriers	Power per Carrier (dBm)	
	WCDMA	LTE
1	18.0	18.0
2	15.0	15.0
3	13.0	13.0
4	12.0	12.0
5	11.0	11.0

**Note:** Operation at or above these output power levels may prevent Fusion Wideband from meeting RF performance specifications or FCC Part 15 and EN55022 emissions requirements.

## 700 MHz (Upper C) MIMO RAU (FSN-W2-7575-1)

**Table 43.** 700 MHz (Upper C) Power per Carrier

Number of Carriers	Power per Carrier (dBm)
	LTE
1	18.0
2	15.0
3	13.0
4	12.0
5	11.0

**Note:** Operation at or above these output power levels may prevent Fusion Wideband from meeting RF performance specifications or FCC Part 15 and EN55022 emissions requirements.

## 700 MHz (Lower ABC) MIMO RAU (FSN-W2-7070-1)

**Table 44.** 700 MHz (Lower ABC) Power per Carrier

Number of Carriers	Power per Carrier (dBm)	
	WCDMA	LTE
1	18.0	18.0
2	15.0	15.0
3	13.0	13.0
4	12.0	12.0
5	11.0	11.0

**Note:** Operation at or above these output power levels may prevent Fusion Wideband from meeting RF performance specifications or FCC Part 15 and EN55022 emissions requirements.

## 700 ABC/AWS HP/AWS HP RAU (FSN-W4-702121-1-HP)

**Table 45.** 700 MHz (Lower A, B, C) Power per Carrier

Number of Carriers	Power per Carrier (dBm)
	LTE
1	18.0
2	15.0
3	13.0
4	12.0
5	11.0

**Note:** Operation at or above these output power levels may prevent Fusion Wideband from meeting RF performance specifications or FCC Part 15 and EN55022 emissions requirements.

**Table 46.** AWS Power per Carrier

Number of Carriers	Power per Carrier (dBm)	
	WCDMA	LTE
1	23.0	23.0
2	20.0	20.0
3	18.0	18.0
4	17.0	17.0
5	16.0	16.0

**Note:** Operation at or above these output power levels may prevent Fusion Wideband from meeting RF performance specifications or FCC Part 15 and EN55022 emissions requirements.

## 700 UC/AWS HP/AWS HP RAU (FSN-W4-752121-1-HP)

**Table 47.** 700 MHz (Upper C) Power per Carrier

Number of Carriers	Power per Carrier (dBm)
	LTE
1	18.0
2	15.0
3	13.0
4	12.0
5	11.0

**Note:** Operation at or above these output power levels may prevent Fusion Wideband from meeting RF performance specifications or FCC Part 15 and EN55022 emissions requirements.

**Table 48.** AWS Power per Carrier

Number of Carriers	Power per Carrier (dBm)	
	WCDMA	LTE
1	23.0	23.0
2	20.0	20.0
3	18.0	18.0
4	17.0	17.0
5	16.0	16.0

**Note:** Operation at or above these output power levels may prevent Fusion Wideband from meeting RF performance specifications or FCC Part 15 and EN55022 emissions requirements.

## 800/850/1900 RAU (FSN-W2-808519-1)

**Table 49.** 800 MHz Power per Carrier

Number of Carriers	Power per Carrier (dBm)					
	CDMA 2000	LTE	iDEN	Analog FM	APCO 25 CQPSK	APCO 25 C4FM
1	17.0	17.0	16.5	24.0	21.0	24.0
2	14.0	14.0	13.0	19.0	16.0	18.5
3	12.0	12.0	10.5	15.5	13.5	15.0
4	11.0	11.0	9.0	12.5	11.5	12.5
5	10.0	10.0	8.0	11.0	10.0	10.5
6	9.0		7.0	9.5	8.5	9.0
7	8.5		6.0	8.5	8.0	8.0
8	8.0		5.5	7.5	7.0	7.5
9			5.0	7.0	6.5	6.5
10			4.5	6.0	6.0	6.0
11			4.0			
12			3.5			
13			3.0			
14		3.0				
15		2.5				
16		2.0				

**Note:** Operation at or above these output power levels may prevent Fusion Wideband from meeting RF performance specifications or FCC Part 15 and EN55022 emissions requirements.

**Table 50.** 850 MHz Power per Carrier

Number of Carriers	Power per Carrier (dBm)				
	GSM	EDGE	CDMA 2000	WCDMA	LTE
1	25.0	22.0	18.0	18.0	18.0
2	19.0	16.5	15.0	15.0	15.0
3	15.5	13.0	13.0	13.0	13.0
4	13.0	11.0	12.0	12.0	12.0
5	11.0	9.5	11.0	11.0	11.0
6	10.0	8.5	10.0		
7	9.0	8.0	9.5		
8	8.0	7.0	9.0		
9	7.5	6.5			
10	7.0	6.0			
11	6.5	5.5			
12	6.0	5.0			
13	5.5	4.5			
14	5.5	4.5			
15	5.0	4.0			
16	4.5	4.0			

**Note:** Operation at or above these output power levels may prevent Fusion Wideband from meeting RF performance specifications or FCC Part 15 and EN55022 emissions requirements.

**Table 51.** 1900 MHz Power per Carrier

Number of Carriers	Power per Carrier (dBm)				
	GSM	EDGE	CDMA 2000	WCDMA	LTE
1	26.0	23.0	18.0	18.0	18.0
2	20.0	17.5	15.0	15.0	15.0
3	16.5	14.0	13.0	13.0	13.0
4	14.0	12.0	12.0	12.0	12.0
5	12.0	10.5	11.0	11.0	11.0
6	11.0	9.5	10.0		
7	10.0	9.0	9.5		
8	9.0	8.0	9.0		
9	8.5	7.5			
10	8.0	7.0			
11	7.5	6.5			
12	7.0	6.0			
13	6.5	5.5			
14	6.5	5.5			
15	6.0	5.0			
16	5.5	5.0			

**Note:** Operation at or above these output power levels may prevent Fusion Wideband from meeting RF performance specifications or FCC Part 15 and EN55022 emissions requirements.



## 850/1900 HP/AWS HP RAU (FSN-W5-851921-1-HP)

**Table 52.** 850 MHz Power per Carrier

Number of Carriers	Power per Carrier (dBm)				
	GSM	EDGE	CDMA 2000	WCDMA	LTE
1	26.0	23.0	18.0	18.0	18.0
2	20.0	17.5	15.0	15.0	15.0
3	16.5	14.0	13.0	13.0	13.0
4	14.0	12.0	12.0	12.0	12.0
5	12.0	10.5	11.0	11.0	11.0
6	11.0	9.5	10.0		
7	10.0	9.0	9.5		
8	9.0	8.0	9.0		
9	8.5	7.5			
10	8.0	7.0			
11	7.5	6.5			
12	7.0	6.0			
13	6.5	5.5			
14	6.5	5.5			
15	6.0	5.0			
16	5.5	5.0			

**Note:** Operation at or above these output power levels may prevent Fusion Wideband from meeting RF performance specifications or FCC Part 15 and EN55022 emissions requirements.

**Table 53.** 1900 MHz Power per Carrier

Number of Carriers	Power per Carrier (dBm)				
	GSM	EDGE	CDMA 2000	WCDMA	LTE
1	26.0	26.0	23.0	23.0	23.0
2	23.0	22.5	20.0	20.0	20.0
3	21.0	19.0	18.0	18.0	18.0
4	19.0	17.0	17.0	17.0	17.0
5	17.0	15.5	16.0	16.0	16.0
6	16.0	14.5	15.0		
7	15.0	14.0	14.5		
8	14.0	13.0	14.0		
9	13.5	12.5			
10	13.0	12.0			
11	12.5	11.5			
12	12.0	11.0			
13	11.5	11.0			
14	11.5	10.5			
15	11.0	10.0			
16	10.5	10.0			

**Note:** Operation at or above these output power levels may prevent Fusion Wideband from meeting RF performance specifications or FCC Part 15 and EN55022 emissions requirements.

**Table 54.** AWS Power per Carrier

Number of Carriers	Power per Carrier (dBm)	
	WCDMA	LTE
1	23.0	23.0
2	20.0	20.0
3	18.0	18.0
4	17.0	17.0
5	16.0	16.0

**Note:** Operation at or above these output power levels may prevent Fusion Wideband from meeting RF performance specifications or FCC Part 15 and EN55022 emissions requirements.

## 1900/AWS RAU (FSN-W1-1921-1)

**Table 55.** 1900 MHz Power per Carrier

Number of Carriers	Power per Carrier (dBm)				
	GSM	EDGE	CDMA 2000	WCDMA	LTE
1	26.0	23.0	18.0	18.0	18.0
2	20.0	17.5	15.0	15.0	15.0
3	16.5	14.0	13.0	13.0	13.0
4	14.0	12.0	12.0	12.0	12.0
5	12.0	10.5	11.0	11.0	11.0
6	11.0	9.5	10.0		
7	10.0	9.0	9.5		
8	9.0	8.0	9.0		
9	8.5	7.5			
10	8.0	7.0			
11	7.5	6.5			
12	7.0	6.0			
13	6.5	5.5			
14	6.5	5.5			
15	6.0	5.0			
16	5.5	5.0			

**Note:** Operation at or above these output power levels may prevent Fusion Wideband from meeting RF performance specifications or FCC Part 15 and EN55022 emissions requirements.

**Table 56.** AWS Power per Carrier

Number of Carriers	Power per Carrier (dBm)				
	GSM	EDGE	CDMA 2000	WCDMA	LTE
1	26.0	23.0	18.0	18.0	18.0
2	20.0	17.5	15.0	15.0	15.0
3	16.5	14.0	13.0	13.0	13.0
4	14.0	12.0	12.0	12.0	12.0
5	12.0	10.5	11.0	11.0	11.0
6	11.0	9.5	10.0		
7	10.0	9.0	9.5		
8	9.0	8.0	9.0		
9	8.5	7.5			
10	8.0	7.0			
11	7.5	6.5			
12	7.0	6.0			
13	6.5	5.5			
14	6.5	5.5			
15	6.0	5.0			
16	5.5	5.0			

**Note:** Operation at or above these output power levels may prevent Fusion Wideband from meeting RF performance specifications or FCC Part 15 and EN55022 emissions requirements.

## 2100/1800 RAU (FSN-W1-2118-1)

Table 57. 1800 MHz Power per Carrier

Number of Carriers	Power per Carrier (dBm)		
	GSM	EDGE	LTE
1	16.5	16.5	15.0
2	14.5	14.5	12.0
3	12.5	12.5	10.0
4	11.5	11.5	9.0
5	10.5	10.5	8.0
6	9.5	9.5	7.0
7	9.0	9.0	6.5
8	8.5	8.0	6.0
9	8.0	7.5	
10	7.5	7.0	
11	7.0	6.5	
12	6.5	6.0	
13	6.5	6.0	
14	6.0	5.5	
15	5.5	5.0	
16	5.5	5.0	
20	4.5	4.0	
30	2.5	2.0	

**Note:** Operation at or above these output power levels may prevent Fusion Wideband from meeting RF performance specifications or FCC Part 15 and EN55022 emissions requirements.

Table 58. 2100MHz Power per Carrier

Number of Carriers	Power per Carrier (dBm)	
	WCDMA	LTE
1	15.0	15.0
2	12.0	12.0
3	10.0	10.0
4	9.0	9.0
5	8.0	8.0
6	7.0	7.0
7	6.5	6.5
8	6.0	6.0

**Note:** Measurements were taken with no baseband clipping.

**Note:** Operation at or above these output power levels may prevent Fusion Wideband from meeting RF performance specifications or FCC Part 15 and EN55022 emissions requirements.

## 2100 HP/1800 HP RAU (FSN-W1-2118-1-HP)

**Table 59.** 1800 MHz Power per Carrier

Number of Carriers	Power per Carrier (dBm)		
	GSM	EDGE	LTE
1	20.0	20.0	20.0
2	17.0	17.0	17.0
3	15.0	15.0	15.0
4	14.0	14.0	14.0
5	13.0	13.0	13.0
6	12.0	12.0	12.0
7	11.5	11.5	11.5
8	11.0	11.0	11.0
9	10.5	10.5	
10	10.0	10.0	
11	9.5	9.5	
12	9.0	9.0	
13	8.5	8.5	
14	8.5	8.5	
15	8.0	8.0	
16	7.5	7.5	
20	6.5	6.5	
30	5.0	5.0	

**Note:** Operation at or above these output power levels may prevent Fusion Wideband from meeting RF performance specifications or FCC Part 15 and EN55022 emissions requirements.

**Table 60.** 2100MHz Power per Carrier

Number of Carriers	Power per Carrier (dBm)	
	WCDMA	LTE
1	20.0	20.0
2	17.0	17.0
3	15.0	15.0
4	14.0	14.0
5	13.0	13.0
6	12.0	12.0
7	11.5	11.5
8	11.0	11.0

**Note:** Measurements were taken with no baseband clipping.  
**Note:** Operation at or above these output power levels may prevent Fusion Wideband from meeting RF performance specifications or FCC Part 15 and EN55022 emissions requirements.

## 2100 High Power RAU (FSN-W1-21HP-1)

**Table 61.** 2100 MHz Power per Carrier

Number of Carriers	Power per Carrier (dBm) WCDMA
1	22.0
2	19.0
3	17.0
4	16.0
5	15.0
6	14.0
7	13.5
8	13.0

**Note:** Measurements were taken with no baseband clipping.  
**Note:** Operation at or above these output power levels may prevent Fusion Wideband from meeting RF performance specifications or FCC Part 15 and EN55022 emissions requirements.

## 2500/2500 WiMAX RAU (FSN-2500-2-WMAX)

**Table 62.** 2500 MHz WiMAX Power per Carrier

Number of Carriers	Power per Carrier (dBm) WCDMA
1	20.0

**Note:** Measurements taken with no baseband clipping.  
**Note:** Operation at or above these output power levels may prevent Fusion Wideband from meeting RF performance specifications or FCC Part 15 and EN55022 emissions requirements.

## 2600 MHz MIMO RAU (FSN-W3-2626-1)

**Table 63.** 2600 MHz Power per Carrier

Number of Carriers	Power per Carrier (dBm)	
	WCDMA	LTE
1	18.0	18.0
2	15.0	15.0
3	13.0	13.0
4	12.0	12.0
5	11.0	11.0

**Note:** Operation at or above these output power levels may prevent Fusion Wideband from meeting RF performance specifications or FCC Part 15 and EN55022 emissions requirements.

## Designing for Capacity Growth

Fusion Wideband systems are deployed to enhance in-building coverage and/or to off-load capacity from a macro cell site. In many instances, subscriber usage increases with time and the wireless provider responds by increasing the load on the installed Fusion Wideband system. For example, the initial deployment might only require two RF carriers, but four RF carriers may be needed in the future based on capacity growth forecasts. There are two options for dealing with this scenario:

- 1** Design the initial coverage with a maximum power per carrier for four RF carriers. This will likely result in additional RAUs.
- 2** Design the initial coverage for two RF carriers, but reserve RAU ports on the Hub for future use. These ports can be used to fill potential coverage holes once the power per carrier is lowered to accommodate the two additional carriers.



## SYSTEM GAIN

The system gain of the Fusion Wideband defaults to 0 dB or can be set up to 15 dB in 1 dB increments. In addition, uplink and downlink gains of each RAU can be independently attenuated by 0 or 10 dB using AdminBrowser.

The recommended maximum lengths of CATV cable are as follows:

- For RG-59 cable 130 meters for CommScope PN 2065V.
- For RG-6 cable 140 meters for CommScope PN 2279V.
- For RG-11 cable 235 meters for CommScope PN 2293K.

If the maximum distance is not required, then copper-clad over steel center-conductor cable may be used to reduce cable costs.

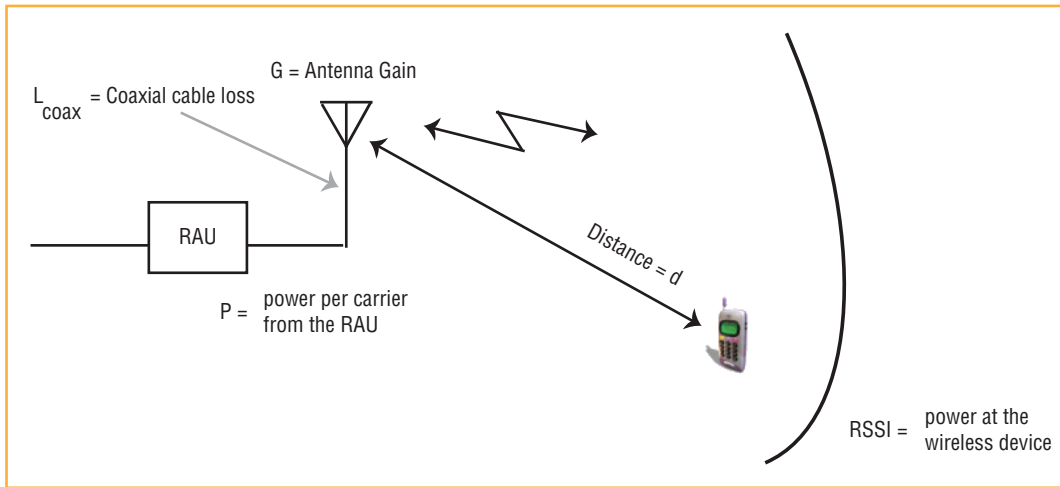
If the CATV cable is longer than the recommended distance per cable type, the gain of the system will decrease, as shown in Table 6-18.

**Table 64.** System Gain (Loss) Relative to CATV Cable Length

Cable Type	Comm-Sc ope Part Number	Plenum Rated	Solid Copper Conductor	Copper Clad Conductor	Zero-loss RF Maximum Length (meters)	Distance Where RF is 10dB Below Input RF (meters)
RG-59	2065V	Yes	X		130	180
	2022V	Yes		X	100	100*
	5572R	No		X	95	95*
	5565	No	X		130	180
RG-6	2279V	Yes	X		140	190
	2275V	Yes		X	140	150*
	5726	No		X	140	140*
	5765	No	X		140	190
RG-11	2293K	Yes	X		235	320
	2285K	Yes		X	235	300*
	5913	No		X	235	300*
* Exceeding the distance of copper-clad cable will result in the attached RAU becoming non-functional. If the distance of a cable run is at its maximum and is of concern, TE recommends the use of solid copper cable to ensure successful operation.						

## ESTIMATING RF COVERAGE

The maximum output power per carrier (based on the number and type of RF carriers being transmitted) and the minimum acceptable received power at the wireless device (that is, the RSSI design goal) essentially establish the RF downlink budget and, consequently, the maximum allowable path loss (APL) between the RAU's antenna and the wireless device. Since in-building systems, such as the Fusion Wideband, are generally downlink-limited, this approach is applicable in the majority of deployments.



**Figure 19.** Determining APL between the Antenna and the Wireless Device

### Equation 1

Equation 1 is as follows:

$$\text{APL} = (P - L_{\text{coax}} + G) - \text{RSSI}$$

where:

- APL = the maximum allowable path loss in dB
- P = the power per carrier transmitted by the RAU in dBm
- $L_{\text{coax}}$  = the coaxial cable loss between the RAU and passive antenna in dB
- G = the gain of the passive antenna in dBi

Coaxial cable is used to connect the RAU to an antenna. [Table 65](#) lists coaxial cable loss for various cable lengths.

**Table 65.** Coaxial Cable Losses ( $L_{\text{coax}}$ )

Length of Cable (.195 in. diameter)	Loss at 850 MHz (dB)	Loss at 1900 MHz (dB)
0.9 m (3 ft)	0.6	0.8
1.8 m (6 ft)	1.0	1.5
3.0 m (10 ft)	1.5	2.3

You can calculate the distance,  $d$ , corresponding to the maximum allowable path loss using equations introduced in the following sections.

## Equation 2—Path Loss Equation

In-building path loss obeys the distance power law in Equation 2:

$$PL = 20\log_{10}(4\pi 0f/c) + 10n\log_{10}(d/d_0) + X_s$$

where:

- $PL$  is the path loss at a distance,  $d$ , from the antenna
- $d$  = the distance expressed in meters
- $d_0$  = free-space path loss distance in meters
- $f$  = the operating frequency in Hertz.
- $c$  = the speed of light in a vacuum ( $3.0 \times 10^8$  m/sec).
- $n$  = the path loss exponent and depends on the building “clutter” and frequency of operation
- $X_s$  = a normal random variable that depends on partition material and geometries inside the building and is accounted for by the log-normal fade margin used in the downlink RSSI design goal calculation

As a reference, [Table 66](#) provides estimates of signal loss for some RF barriers<sup>1</sup>.

**Table 66.** Average Signal Loss of Common Building Materials

Partition Type	Loss (dB)	Frequency (MHz)
Metal wall	26	815
Aluminum siding	20	815
Foil insulation	4	815
Cubicle walls	1.4	900
Concrete block wall	13	1300
Concrete floor	10	1300
Sheetrock	1 to 2	1300
Light machinery	3	1300
General machinery	7	1300
Heavy machinery	11	1300
Equipment racks	7	1300
Assembly line	6	1300
Ceiling duct	5	1300
Metal stairs	5	1300

<sup>1</sup> Rappaport, Theodore S. *Wireless Communications, Principles, and Practice*. Prentice Hall PTR, 1996.

## RAU Coverage Distance

Use “Equation 1” on page 82 and “Equation 2—Path Loss Equation” on page 83, respectively, to estimate the distance from the antenna to where the RF signal decreases to the minimum acceptable level at the wireless device.

### Equation 3

Equation 2 can be simplified to Equation 3, with  $d_0$  set to one meter and path loss slope (PLS) defined as  $10_n$ :

$$PL(d) = 20\log_{10}(4\pi/c) + PLS \cdot \log_{10}(d)$$

Table 67 gives the value of the first term of Equation 3 (that is,  $(20\log_{10}(4\pi/c))$ ) for various frequency bands.

**Table 67.** Frequency Bands and the Value of the First Term in Equation 3

Frequency	Band (MHz)		Mid-Band Frequency (MHz)	20log10(4π/c)
	Uplink	Downlink		
800 MHz SMR	806-824	851-869	838	30.9
850 MHz Cellular	824-849	869-894	859	31.1
1800 MHz DCS	1710-1785	1805-1880	1795	37.5
1900 MHz PCS	1850-1910	1930-1990	1920	38.1
2.1 GHz UMTS	1920–1980	2110–2170	2045	38.7
1.7/2.1 GHz AWS	1710-1755	2110-2155	2132.5*	39.0
2.5 GHz WiMAX	2496-2690	2496-2690	2595	40.7

\* Due to the wide frequency spread between the Uplink and Downlink bands, the mid-band frequency of the Downlink band was chosen for 1.7/2.1 GHz AWS.

Table 68 shows estimated PLS for various environments that have different “clutter” (that is, objects that attenuate the RF signals, such as walls, partitions, stairwells, equipment racks, and so forth).

**Table 68.** Estimated Path Loss Slope for Different In-Building Environments

Environment Type	Example	PLS for 850/900 MHz	PLS for 1800/1900/2100/2500 MHz
<b>Open Environment</b> very few RF obstructions	Parking Garage, Convention Center	33.7	30.1
<b>Moderately Open Environment</b> low-to-medium amount of RF obstructions	Warehouse, Airport, Manufacturing	35	32
<b>Mildly Dense Environment</b> medium-to-high amount of RF obstructions	Retail, Office Space with approximately 80% cubicles and 20% hard walled offices	36.1	33.1
<b>Moderately Dense Environment</b> medium-to-high amount of RF obstructions	Office Space with approximately 50% cubicles and 50% hard walled offices	37.6	34.8
<b>Dense Environment</b> large amount of RF obstructions	Hospital, Office Space with approximately 20% cubicles and 80% hard walled offices	39.4	38.1

## Equation 4—Path Loss Equation

By setting the path loss to the maximum allowable level (PL = APL), Equation 3 can be used to estimate the maximum coverage distance of an antenna connected to an RAU, for a given frequency and type of in-building environment, which is Equation 4.

$$d = 10^{((APL - 20\log_{10}(4\pi/c))/PLS)}$$

For reference, [Table 69](#) through [Table 75 on page 87](#) show the distance covered by an antenna for various in-building environments, in which the following assumptions were made:

- Path Loss Equation 4
- 6 dBm output per carrier at the RAU output
- 3 dBi antenna gain
- RSSI design goal is equal to -85 dBm, which is typical for narrowband protocols, but not for spread-spectrum protocols.

**Table 69.** *Approximate Radiated Distance from Antenna for 800 MHz SMR Applications*

Environment Type	Distance from Antenna	
	Meters	Feet
Open Environment	75	244
Moderately Open Environment	64	208
Mildly Dense Environment	56	184
Moderately Dense Environment	48	156
Dense Environment	40	131

**Table 70.** *Approximate Radiated Distance from Antenna for 850 MHz Cellular Applications*

Environment Type	Distance from Antenna	
	Meters	Feet
Open Environment	73	241
Moderately Open Environment	63	205
Mildly Dense Environment	55	181
Moderately Dense Environment	47	154
Dense Environment	39	129

**Table 71.** *Approximate Radiated Distance from Antenna for 1800 MHz DCS Applications*

Facility	Distance from Antenna	
	Meters	Feet
Open Environment	75	246
Moderately Open Environment	58	191
Mildly Dense Environment	50	166
Moderately Dense Environment	42	137
Dense Environment	30	100

**Table 72.** *Approximate Radiated Distance from Antenna for 1900 MHz PCS Applications*

Facility	Distance from Antenna	
	Meters	Feet
Open Environment	72	236
Moderately Open Environment	56	183
Mildly Dense Environment	49	160
Moderately Dense Environment	40	132
Dense Environment	29	96

**Table 73.** *Approximate Radiated Distance from Antenna for 2.1 GHz UMTS Applications*

Facility	Distance from Antenna	
	Meters	Feet
Open Environment	69	226
Moderately Open Environment	54	176
Mildly Dense Environment	47	154
Moderately Dense Environment	39	128
Dense Environment	28	93

**Table 74.** *Approximate Radiated Distance from Antenna for 1.7/2.1 GHz AWS Applications*

Facility	Distance from Antenna	
	Meters	Feet
Open Environment	67	220
Moderately Open Environment	52	172
Mildly Dense Environment	46	150
Moderately Dense Environment	38	125
Dense Environment	28	91

**Table 75.** Approximate Radiated Distance from Antenna for 2.5 GHz WiMAX Applications

Facility	Distance from Antenna	
	Meters	Feet
Open Environment	59	194
Moderately Open Environment	47	152
Mildly Dense Environment	41	134
Moderately Dense Environment	35	112
Dense Environment	25	83

## Example Design Estimate for an 1900 MHz CDMA Application

### 1 Design goals:

- PCS (1920 MHz = average of the lowest uplink and the highest downlink frequency in 1900 MHz PCS band)
- CDMA provider
- 8 CDMA carriers in the system
- -85 dBm design goal (to 95% of the building); the minimum received power at the wireless device
- Base station with simplex RF connections.

**2 Power Per Carrier:** The tables in “[Maximum Output Power per Carrier](#)” on page 65 provide maximum power per carrier information. The 1900 MHz CDMA table indicates that Fusion Wideband can support eight carriers with a recommended maximum power per carrier of 6.5 dBm. The input power should be set to the desired output power minus the system gain.

### 3 Building information:

- 16 floor building with 9,290 sq. meters (100,000 sq. ft.) per floor; total 148,640 sq. meters (1,600,000 sq. ft.).
- Walls are sheetrock construction, suspended ceiling tiles.
- Antennas used are omni-directional, ceiling mounted.
- Standard office environment, 80% hard wall offices and 20% cubicles.

**4 Link Budget:** In this example, a design goal of -85 dBm is used. Suppose 3 dBi omni-directional antennas are used in the design. Then, the maximum RF propagation loss should be no more than 94.5 dB (6.5 dBm + 3 dBi + 85 dBm) over 95% of the area being covered. *It is important to note that a design goal such as -85 dBm is usually derived taking into account multipath fading and log-normal shadowing characteristics. Thus, this design goal will only be met “on average” over 95% of the area being covered. At any given point, a fade may bring the signal level underneath the design goal.*

Note that this method of calculating a link budget is only for the downlink path. For information to calculate link budgets for both the downlink and uplink paths, refer to “[Link Budget Analysis](#)” on page 89.

- 5 **Path Loss Slope:** For a rough estimate, [Table 68 on page 84](#) shows that a building with 80% hard wall offices and 20% cubicles, at 1920 MHz, has an approximate path loss slope (PLS) of 38.1. Given the RF link budget of 94.5 dB, the distance of coverage from each RAU will be 30.2 meters (99 ft). This corresponds to a coverage area of 2,868 sq. meters (30,854 sq. ft.) per RAU (refer to "[Equation 2—Path Loss Equation](#)" on page 83 for details on path loss estimation). For this case we assumed a circular radiation pattern, though the actual area covered depends upon the pattern of the antenna and the obstructions in the facility.
- 6 **Equipment Required:** Since you know the building size, you can now estimate the Fusion Wideband equipment quantities needed. Before you test any RF levels in the building, you can estimate that four antennas per level will be needed. This assumes no propagation between floors. If there is propagation, you may not need antennas on every floor.
  - 4 antennas per floor × 16 floors = 64 RAUs
  - 64 RAUs ÷ 8 = 8 Expansion Hubs, as there is a maximum of 8 RAUs per Expansion Hub
  - 8 Expansion Hubs ÷ 4 = 2 Main Hubs, as there is a maximum of 4 Expansion Hubs per Main Hub

Check that the fiber and CATV cable distances are as recommended. If the distances differ, use the tables in Section 6.4, "System Gain," on page 6-16 to determine system gains or losses. The path loss may need to be recalculated to assure adequate signal levels in the required coverage distance.

The above estimates assume that all cable length requirements are met. If Expansion Hubs cannot be placed so that the RAUs are within the distance requirement, additional Expansion Hubs may need to be placed closer to the required RAUs locations.

An RF Site Survey and Building Evaluation is required to accurately establish the Fusion Wideband equipment quantities required for the building. The site survey measures the RF losses within the building to determine the actual PLS, used in the final path loss formula to determine the actual requirements of the Fusion Wideband system.



## LINK BUDGET ANALYSIS

A link budget is a methodical way to account for the gains and losses in an RF system so that the quality of coverage can be predicted. The end result can often be stated as a “design goal” in which the coverage is determined by the maximum distance from each RAU before the signal strength falls beneath that goal.

One key feature of the link budget is the maximum power per carrier explained in Section 6.3. While the maximum power per carrier is important as far as emissions and signal quality requirements are concerned, it is critical that the maximum signal into the Main Hub never exceed 1W (+30 dBm). Composite power levels above this limit will cause damage to the Main Hub.

**CAUTION!** Exceeding the maximum input power of 1W (+30 dBm) could cause permanent damage to the Main Hub.

**NOTE:** Visit the TE customer portal for the on-line Link Budget Tool; see “TE Customer Portal” on page 3.

### Elements of a Link Budget for Narrowband Standards

The link budget represents a typical calculation that might be used to determine how much path loss can be afforded in a Fusion Wideband design. This link budget analyzes both the downlink and uplink paths. For most configurations, the downlink requires lower path loss and is therefore the limiting factor in the system design. It is for this reason that a predetermined “design goal” for the downlink is sufficient to predict coverage distance.

The link budget is organized in a simple manner: the transmitted power is calculated, the airlink losses due to fading and body loss are summed, and the receiver sensitivity (minimum level a signal can be received for acceptable call quality) is calculated. The maximum allowable path loss (in dB) is the difference between the transmitted power, less the airlink losses, and the receiver sensitivity. From the path loss, the maximum coverage distance can be estimated using the path loss formula presented in Section 6.5.1.

Table 76 on page 90 provides link budget considerations for narrowband systems.

**Table 76.** Link Budget Considerations for Narrowband Systems

Consideration	Description												
BTS Transmit Power	The power per carrier transmitted from the base station output												
Attenuation between BTS and Fusion Wideband	<p>This includes all losses: cable, attenuator, splitter/combiner, and so forth.</p> <p>On the downlink, attenuation must be chosen so that the maximum power per carrier going into the Main Hub does not exceed the levels given in “Maximum Output Power per Carrier” on page 65.</p> <p>On the uplink, attenuation is chosen to keep the maximum uplink signal and noise level low enough to prevent base station alarms but small enough not to cause degradation in the system sensitivity.</p> <p>If the Fusion Wideband noise figure minus the attenuation is at least 10 dB higher than the BTS noise figure, the system noise figure is approximately that of Fusion Wideband alone. Refer to “Connecting a Main Hub to a Base Station” on page 101 for ways to independently set the uplink and downlink attenuations between the base station and Fusion Wideband.</p>												
Antenna Gain	The radiated output power includes antenna gain. For example, if you use a 3 dBi antenna at the RAU that is transmitting 0 dBm per carrier, the effective radiated power (relative to an isotropic radiator) is 3 dBm per carrier.												
BTS Noise Figure	This is the effective noise floor of the base station input (usually base station sensitivity is this effective noise floor plus a certain C/I ratio).												
Fusion Wideband Noise Figure	This is Fusion Wideband’s uplink noise figure, which varies depending on the number of Expansion Hubs and RAUs, and the frequency band. Fusion Wideband’s uplink noise figure is specified for a 1-1-8 configuration. Thus, the noise figure for a Fusion Wideband system (or multiple systems whose uplink ports are power combined) is $NF(1-1-8) + 10 * \log(\# \text{ of Expansion Hubs})$ . This represents an upper-bound because the noise figure is lower if any of the Expansion Hub’s RAU ports are <b>not</b> used.												
Thermal Noise	<p>This is the noise level in the signal bandwidth (BW).</p> <p>Thermal noise power = <math>-174 \text{ dBm/Hz} + 10 \text{Log}(\text{BW})</math>.</p> <table border="1" style="margin-left: auto; margin-right: auto;"> <thead> <tr> <th>Protocol</th> <th>Signal Bandwidth</th> <th>Thermal Noise</th> </tr> </thead> <tbody> <tr> <td>TDMA</td> <td>30 kHz</td> <td>-129 dBm</td> </tr> <tr> <td>GSM</td> <td>200 kHz</td> <td>-121 dBm</td> </tr> <tr> <td>iDEN</td> <td>25 kHz</td> <td>-130 dBm</td> </tr> </tbody> </table>	Protocol	Signal Bandwidth	Thermal Noise	TDMA	30 kHz	-129 dBm	GSM	200 kHz	-121 dBm	iDEN	25 kHz	-130 dBm
Protocol	Signal Bandwidth	Thermal Noise											
TDMA	30 kHz	-129 dBm											
GSM	200 kHz	-121 dBm											
iDEN	25 kHz	-130 dBm											
Required C/I ratio	For each wireless standard, a certain C/I (carrier to interference) ratio is needed to obtain acceptable demodulation performance. For narrowband systems, (TDMA, GSM, EDGE, iDEN, AMPS) this level varies from about 9 dB to 20 dB.												
Mobile Transmit Power	The maximum power the mobile can transmit (power transmitted at highest power level setting).												
Multipath Fade Margin	This margin allows for a certain level of fading due to multipath interference. Inside buildings there is often one or more fairly strong signals and many weaker signals arriving from reflections and diffraction. Signals arriving from multiple paths add constructively or destructively. This margin accounts for the possibility of destructive multipath interference. In RF site surveys the effects of multipath fading are typically not accounted for because such fading is averaged out over power level samples taken over many locations.												
Log-normal Fade Margin	This margin adds an allowance for RF shadowing due to objects obstructing the direct path between the mobile equipment and the RAU. In RF site surveys, the effects of shadowing are partially accounted for since it is characterized by relatively slow changes in power level.												
Body Loss	This accounts for RF attenuation caused by the user’s head and body.												
Minimum Received Signal Level	This is also referred to as the “design goal”. The link budget says that you can achieve adequate coverage if the signal level is, on average, above this level over 95% of the area covered, for example.												

## Narrowband Link Budget Analysis for a Microcell Application

**Table 77.** *Narrowband Link Budget Analysis: Downlink*

Line	Downlink	
	<b>Transmitter</b>	
a.	BTS transmit power per carrier (dBm)	33
b.	Attenuation between BTS and Fusion Wideband (dB)	-23
c.	Power into Fusion Wideband (dBm)	10
d.	Fusion Wideband gain (dB)	0
e.	Antenna gain (dBi)	3
f.	Radiated power per carrier (dBm)	13
	<b>Airlink</b>	
g.	Multipath fade margin (dB)	6
h.	Log-normal fade margin with 9 dB std. deviation, 95% area coverage, 87% edge coverage	10
i.	Body loss (dB)	3
j.	Airlink losses (not including facility path loss)	19
	<b>Receiver</b>	
k.	Thermal noise (dBm/30 kHz)	-129
l.	Mobile noise figure (dB)	7
m.	Required C/I ratio (dB)	17
n.	Minimum received signal (dBm)	-105
p.	<b>Maximum path loss (dB)</b>	<b>+99</b>

- $c = a + b$
- $f = c + d + e$
- $j = g + h + i$
- $n = k + l + m$
- k: in this example, k represents the thermal noise for a TDMA signal, which has a bandwidth of 30 kHz
- $p = f - j - n$

**Table 78.** Narrowband Link Budget Analysis: Uplink

Line	Uplink	
<b>Receiver</b>		
a.	BTS noise figure (dB)	4
b.	Attenuation between BTS and Fusion Wideband (dB)	-10
c.	Fusion Wideband gain (dB)	0
d.	Fusion Wideband noise figure (dB) 1-4-32	22
e.	System noise figure (dB)	22.6
f.	Thermal noise (dBm/30 kHz)	-129
g.	Required C/I ratio (dB)	12
h.	Antenna gain (dBi)	3
i.	Receive sensitivity (dBm)	-97.4
<b>Airlink</b>		
j.	Multipath fade margin (dB)	6
k.	Log-normal fade margin with 9 dB std. deviation, 95% area coverage, 87% edge coverage	10
l.	Body loss (dB)	3
m.	Airlink losses (not including facility path loss)	19
<b>Transmitter</b>		
n.	Mobile transmit power (dBm)	28
p.	<b>Maximum path loss (dB)</b>	<b>106.4</b>

- e: enter the noise figure and gain of each system component (a, b, c, and d) into the standard cascaded noise figure formula

$$F_{sys} = F_1 + \frac{F_2 - 1}{G_1} + \frac{F_3 - 1}{G_1 G_2} + \dots$$

where

$$F = 10^{(\text{Noise Figure}/10)}$$

$$G = 10^{(\text{Gain}/10)}$$

(See Rappaport, Theodore S. *Wireless Communications, Principles, and Practice*. Prentice Hall PTR, 1996.)

- i = f + e + g - h
- m = j + k + l
- p = n - m - i

Therefore, the system is downlink limited but the downlink and uplink are almost balanced, which is a desirable condition.

## Elements of a Link Budget for CDMA Standards

A CDMA link budget is slightly more complicated because you must consider the spread spectrum nature of CDMA. Unlike narrowband standards such as TDMA and GSM, CDMA signals are spread over a relatively wide frequency band. Upon reception, the CDMA signal is de-spread. In the de-spreading process the power in the received signal becomes concentrated into a narrow band, whereas the noise level remains unchanged. Hence, the signal-to-noise ratio of the de-spread signal is higher than that of the CDMA signal before de-spreading. This increase is called processing gain. For IS-95 and J-STD-008, the processing gain is 21 dB or 19 dB depending on the user data rate (9.6 Kbps for rate set 1 and 14.4 Kbps for rate set 2, respectively). Because of the processing gain, a CDMA signal (comprising one Walsh code channel within the composite CDMA signal) can be received at a lower level than that required for narrowband signals. A reasonable level is -95 dBm, which results in about -85 dBm composite as shown below.

An important issue to keep in mind is that the downlink CDMA signal is composed of many orthogonal channels: pilot, paging, sync, and traffic. The composite power level is the sum of the powers from the individual channels. [Table 79](#) shows an example.

**Table 79.** *Distribution of Power within a CDMA Signal*

Channel	Walsh Code Number	Relative Power Level	
Pilot	0	20%	-7.0 dB
Sync	32	5%	-13.3 dB
Primary Paging	1	19%	-7.3 dB
Traffic	8-31, 33-63	9% (per traffic channel)	-10.3 dB

This table assumes that there are 15 active traffic channels operating with 50% voice activity (so that the total power adds up to 100%). Notice that the pilot and sync channels together contribute about 25% of the power. When measuring the power in a CDMA signal you must be aware that if only the pilot and sync channels are active, the power level will be about 6 to 7 dB lower than the maximum power level you can expect when all voice channels are active. The implication is that if only the pilot and sync channels are active, and the maximum power per carrier table says that you should not exceed 10 dBm for a CDMA signal, for example, then you should set the attenuation between the base station and the Main Hub so that the Main Hub receives 3 dBm (assuming 0 dB system gain).

An additional consideration for CDMA systems is that the uplink and downlink paths should be gain and noise balanced. This is required for proper operation of soft-handoff to the outdoor network as well as preventing excess interference that is caused by mobiles on the indoor system transmitting at power levels that are not coordinated with the outdoor mobiles. This balance is achieved if the power level transmitted by the mobiles under close-loop power control is similar to the power level transmitted under open-loop power control.

The open-loop power control equation is as follows:

$$\text{for Cellular, IS-95: } P_{TX} + P_{RX} = -73 \text{ dBm}$$

$$\text{for PCS, J-STD-008: } P_{TX} + P_{RX} = -76 \text{ dBm}$$

where  $P_{TX}$  is the mobile's transmitted power and  $P_{RX}$  is the power received by the mobile.

The power level transmitted under closed-loop power control is adjusted by the base station to achieve a certain  $E_b/N_0$  (explained in Table 6-34 on page 6-32). The difference between these power levels,  $\Delta_p$ , can be estimated by comparing the power radiated from the RAU,  $P_{\text{downlink}}$ , to the minimum received signal,  $P_{\text{uplink}}$ , at the RAU:

for Cellular: 
$$\Delta_p = P_{\text{downlink}} + P_{\text{uplink}} + 73 \text{ dBm}$$

for PCS: 
$$\Delta_p = P_{\text{downlink}} + P_{\text{uplink}} + 76 \text{ dBm}$$

It's a good idea to keep  $-12 \text{ dB} < \Delta_p < 12 \text{ dB}$ .

Table 80 provides link budget considerations for CDMA systems.

**Table 80. Additional Link Budget Considerations for CDMA**

Consideration	Description
Multipath Fade Margin	The multipath fade margin can be reduced (by at least 3 dB) by using different lengths of optical fiber (this is called "delay diversity"). The delay over fiber is approximately $5\mu\text{S}/\text{km}$ . If the difference in fiber lengths to Expansion Hubs with overlapping coverage areas produces at least 1 chip ( $0.8\mu\text{S}$ ) delay of one path relative to the other, then the multipaths' signals can be resolved and processed independently by the base station's rake receiver. A CDMA signal traveling through 163 meters of MMF cable is delayed by approximately one chip.
Power per carrier, downlink	This depends on how many channels are active. For example, the signal is about 7 dB lower if only the pilot, sync, and paging channels are active compared to a fully-loaded CDMA signal. Furthermore, in the CDMA forward link, voice channels are turned off when the user is not speaking. On average this is assumed to be about 50% of the time. So, in the spreadsheet, both the power per Walsh code channel (representing how much signal a mobile will receive on the Walsh code that it is de-spreading) and the total power are used.  The channel power is needed to determine the maximum path loss, and the total power is needed to determine how hard the Fusion Wideband system is being driven.  The total power for a fully-loaded CDMA signal is given by (approximately): $\text{total power} = \text{voice channel power} + 13 \text{ dB} + 10\log_{10}(50\%)$ $= \text{voice channel power} + 10 \text{ dB}$
Information Rate	This is simply $10\log_{10}(9.6 \text{ Kbps}) = 40 \text{ dB for rate set 1}$ $10\log_{10}(14.4 \text{ Kbps}) = 42 \text{ dB for rate set 2}$
Process Gain	The process of de-spreading the desired signal boosts that signal relative to the noise and interference. This gain needs to be included in the link budget. In the following formulas, $P_G$ = process gain: $P_G = 10\log_{10}(1.25 \text{ MHz} / 9.6 \text{ Kbps}) = 21 \text{ dB rate set 1}$ $P_G = 10\log_{10}(1.25 \text{ MHz} / 14.4 \text{ Kbps}) = 19 \text{ dB rate set 2}$ Note that the process gain can also be expressed as $10\log_{10}$ (CDMA bandwidth) minus the information rate.
Eb/No	This is the energy-per-bit divided by the received noise and interference. It's the CDMA equivalent of signal-to-noise ratio (SNR). This figure depends on the mobile's receiver and the multipath environment. For example, the multipath delays inside a building are usually too small for a rake receiver in the mobile (or base station) to resolve and coherently combine multipath components. However, if artificial delay can be introduced by, for instance, using different lengths of cable, then the required $E_b/N_0$ is lower and the multipath fade margin in the link budget can be reduced in some cases.  If the receiver noise figure is NF (dB), then the receive sensitivity (dBm) is given by: $P_{\text{sensitivity}} = \text{NF} + E_b/N_0 + \text{thermal noise in a 1.25 MHz band} - P_G$ $= \text{NF} + E_b/N_0 - 113 \text{ (dBm/1.25 MHz)} - P_G$

**Table 80.** Additional Link Budget Considerations for CDMA (Cont.)

Consideration	Description
Noise Rise	<p>On the uplink, the noise floor is determined not only by the Fusion Wideband system, but also by the number of mobiles that are transmitting. This is because when the base station attempts to de-spread a particular mobile's signal, all other mobile signals appear to be noise. Because the noise floor rises as more mobiles try to communicate with a base station, the more mobiles there are, the more power they have to transmit. Hence, the noise floor rises rapidly:</p> $\text{noise rise} = 10 \log_{10}(1 / (1 - \text{loading}))$ <p>where <i>loading</i> is the number of users as a percentage of the theoretical maximum number of users.</p> <p>Typically, a base station is set to limit the loading to 75%. This noise ratio must be included in the link budget as a worst-case condition for uplink sensitivity. If there are less users than 75% of the maximum, then the uplink coverage will be better than predicted.</p>
Hand-off Gain	<p>CDMA supports soft hand-off, a process by which the mobile communicates simultaneously with more than one base station or more than one sector of a base station. Soft hand-off provides improved receive sensitivity because there are two or more receivers or transmitters involved. A line for hand-off gain is included in the CDMA link budgets worksheet although the gain is set to 0 dB because the in-building system will probably be designed to limit soft-handoff.</p>

## Other CDMA Issues

Other CDMA issues are as follows:

- Never combine multiple sectors (more than one CDMA signal at the same frequency) into a Fusion Wideband system. The combined CDMA signals will interfere with each other.
- Try to minimize overlap between in-building coverage areas that utilize different sectors, as well as in-building coverage and outdoor coverage areas. This is important because any area in which more than one dominant pilot signal (at the same frequency) is measured by the mobile will result in soft-handoff. Soft-handoff decreases the overall network capacity by allocating multiple channel resources to a single mobile phone.

## CDMA Link Budget Analysis for a Microcell Application

**Table 81.** CDMA Link Budget Analysis: Downlink

Line	Downlink	
	<b>Transmitter</b>	
a.	BTS transmit power per traffic channel (dBm)	30.0
b.	Voice activity factor	50%
c.	Composite power (dBm)	40.0
d.	Attenuation between BTS and Fusion Wideband (dB)	-24
e.	Power per channel into Fusion Wideband (dBm)	9.0
f.	Composite power into Fusion Wideband (dBm)	16.0
g.	Fusion Wideband gain (dB)	0.0
h.	Antenna gain (dBi)	3.0
i.	Radiated power per channel (dBm)	12.0
j.	Composite radiated power (dBm)	19.0
	<b>Airlink</b>	
k.	Handoff gain (dB)	0.0
l.	Multipath fade margin (dB)	6.0
m.	Log-normal fade margin with 9 dB std. deviation, 95% area coverage, 87% edge coverage	10.0
n.	Additional loss (dB)	0.0
o.	Body loss (dB)	3.0
p.	Airlink losses (not including facility path loss)	19.0
	<b>Receiver</b>	
q.	Mobile noise figure (dB)	7.0
r.	Thermal noise (dBm/Hz)	-174.0
s.	Receiver interference density (dBm/Hz)	-167.0
t.	Information ratio (dB/Hz)	41.6
u.	Required $E_b/(N_o+I_o)$	7.0
v.	Minimum received signal (dBm)	-118.4
w.	Maximum path loss (dB)	+99.4



- b and c: see notes in Table 6-34 regarding power per carrier, downlink
- $e = a + d$
- $f = c + d$
- $i = e + g + h$
- $j = f + g + h$
- $p = -k + l + m + n + o$
- $s = q + r$
- $v = s + t + u$
- $w = j - p - v$
- $x = j$  (downlink) +  $m$  (uplink) +  $P$

where

$$P = P_{tx} + P_{rx} = -73 \text{ dB for Cellular} \\ -76 \text{ dB for PCS}$$

**Table 82.** CDMA Link Budget Analysis: Uplink

Line	Uplink	
<b>Receiver</b>		
a.	BTS noise figure (dB)	3.0
b.	Attenuation between BTS and Fusion Wideband (dB)	-30.0
c.	Fusion Wideband gain (dB)	0.0
d.	Fusion Wideband noise figure (dB)	22.0
e.	System noise figure (dB)	33.3
f.	Thermal noise (dBm/Hz)	-174.0
g.	Noise rise 75% loading (dB)	6.0
h.	Receiver interference density (dBm/Hz)	-134.6
i.	Information rate (dB/Hz)	41.6
j.	Required Eb/(No+Io)	5.0
k.	Handoff gain (dB)	0.0
l.	Antenna gain (dBi)	3.0
m.	Minimum received signal (dBm)	-91.1
<b>Airlink</b>		
n.	Multipath fade margin (dB)	6.0
o.	Log-normal fade margin with 9 dB std. deviation, 95% area coverage, 87% edge coverage	10.0
p.	Additional loss (dB)	0.0
q.	Body loss (dB)	3.0
r.	Airlink losses (not including facility path loss)	19.0
<b>Transmitter</b>		
s.	Mobile transmit power (dBm)	28.0
t.	<b>Maximum path loss (dB)</b>	<b>100.1</b>

- e: enter the noise figure and gain of each system component (a, b, c, and d) into the standard cascaded noise figure formula

$$F_{sys} = F_1 + \frac{F_2 - 1}{G_1} + \frac{F_3 - 1}{G_1 G_2} + \dots$$

where

$$F = 10^{(\text{Noise Figure}/10)}$$

$$G = 10^{(\text{Gain}/10)}$$

(See Rappaport, Theodore S. *Wireless Communications, Principles, and Practice*. Prentice Hall PTR, 1996.)

- $h = e + f + g$
- $m = h + i + j - k - l$
- $r = n + o + p + q$
- $t = s - r - m$

---

## Considerations for Re-Radiation (Over-the-Air) Systems

Fusion Wideband can be used to extend the coverage of the outdoor network by connecting to a roof-top donor antenna pointed toward an outdoor base station. Additional considerations for such an application of Fusion Wideband are:

- Sizing the gain and output power requirements for a bi-directional amplifier (repeater).
- Ensuring that noise radiated on the uplink from the in-building system does not cause the outdoor base station to become desensitized to wireless handsets in the outdoor network.
- Filtering out signals that lie in adjacent frequency bands. For instance, if you are providing coverage for Cellular B-band operation it may be necessary to filter out the A, A' and A'' bands which may contain strong signals from other outdoor base stations.

Further information on these issues can be found in TE application notes for re-radiation applications.

## OPTICAL POWER BUDGET

Fusion Wideband uses SC/APC connectors. The connector losses associated with mating to these connectors is accounted for in the design and should not be included as elements of the optical power budget. The reason is that when the optical power budget is defined, measurements are taken with these connectors in place.

**The Fusion Wideband optical power budget for both multi-mode and single-mode fiber cable is 3.0 dB (optical).**

The maximum loss through the fiber can not exceed 3 dB (optical). The maximum lengths of the fiber cable should not exceed 500m (1,640 ft) for multi-mode and 6 km (19,685 ft) for single-mode. Both the optical budget and the maximum cable length must be taken into consideration when designing the system.

**NOTE:** It is critical to system performance that only SC/APC fiber connectors are used throughout the fiber network, including fiber distribution panels.

## CONNECTING A MAIN HUB TO A BASE STATION

The Fusion Wideband system supports up to three RF sources: one for Band 1, one for Band 2 and one for Band 3. This section explains how each band can be connected to its associated base station.

Each Fusion Main Hub band has separate system gain parameters. For example, Band 1 can be set for +5 dB of downlink system gain while Band 2 can have +15 dB of downlink system gain. Thus, each band can be configured as a separate system to allow for full integration to its associated base station.

When connecting each of the Fusion Wideband Main Hub bands to its base station, the following equipment may be required:

- circulators
- filter diplexers
- directional couplers
- combiner/splitters
- attenuators
- coax cables
- connectors.

In addition, use the following considerations to achieve optimal performance:

- The downlink power from the base stations must be attenuated enough so that the power radiated by the RAU does not exceed the maximum power per carrier listed in Section 6.3, “Maximum Output Power per Carrier,” on page 6-4.
- The uplink attenuation should be small enough that the sensitivity of the overall system is limited by Fusion Wideband, not by the attenuator. However, some base stations trigger alarms if the noise or signal levels are too high. In this case the attenuation must be large enough to prevent this from happening.

**CAUTION!** The UPLINK and DOWNLINK ports cannot handle a DC power feed from a BTS. If DC power is present, a DC block must be used or the Fusion Wideband Main Hub may be damaged.

If, in an area covered by Fusion Wideband, a mobile phone indicates good signal strength but consistently has difficulty completing calls, it is possible that the attenuation between Fusion Wideband and the base station needs to be adjusted. In other words, it is possible that if the uplink is over-attenuated, the downlink power will provide good coverage, but the uplink coverage distance will be small.

When there is an excessive amount of loss between the Fusion Wideband Main Hub uplink and its associated band’s base station, the uplink system gain can be increased to as much as 15 dB to prevent a reduction in the overall system sensitivity.

## Uplink Attenuation

The attenuation between the Main Hub's uplink port and the associated band's base station reduces both the noise level and the desired signals out of Fusion Wideband. Setting the attenuation on the uplink is a trade-off between keeping the noise and maximum signal levels transmitted from Fusion Wideband to the base station receiver low while not reducing the SNR (signal-to-noise ratio) of the path from the RAU inputs to the base station inputs. This SNR can not be better than the SNR of Fusion Wideband by itself, although it can be significantly worse.

A good rule of thumb is to set the uplink attenuation such that the noise level out of Fusion Wideband is within 10 dB of the base station's sensitivity.

## RAU Attenuation and ALC

The RAU attenuation and ALC are set using the AdminBrowser Edit Unit Properties screen.

Embedded within the uplink RF front-end of each Fusion Wideband RAU band is an ALC circuit. This ALC circuit protects the Fusion Wideband system from overload and excessive intermodulation products due to high-powered mobiles or other signal sources that are within the supported frequency band and are in close proximity to the RAU.

Each individual Band (1 or 2) of a Fusion Wideband RAU has an uplink ALC circuit that operates as a feedback loop. A power detector measures the level of each band's uplink RF input and if that level exceeds  $-30$  dBm, an RF attenuator is activated. The level of attenuation is equal to the amount that the input exceeds  $-30$  dBm. The following sequence describes the operation of the ALC circuit, as illustrated in Figure 6-2.

- 1 The RF signal level into either Band of the RAU rises above the activation threshold ( $-30$  dBm), causing that ALC loop to enter into the attack phase.
- 2 During the attack phase, the ALC loop increases the attenuation (0 to 30 dB) until the detector reading is reduced to the activation threshold. The duration of this attack phase is called the attack time.
- 3 After the attack time, the ALC loop enters the hold phase and maintains a fixed attenuation so long as the high-level RF signal is present.
- 4 The RF signal level drops below the release threshold ( $-45$  dBm) and the ALC loop enters the release phase.
- 5 During the release phase, the ALC loop holds the attenuation for a fixed period then quickly releases the attenuation.

An important feature of the ALC loop is that in Step 3, the attenuation is maintained at a fixed level until the signal drops by a significant amount. This prevents the ALC loop from tracking variations in the RF signal itself and distorting the waveform modulation.

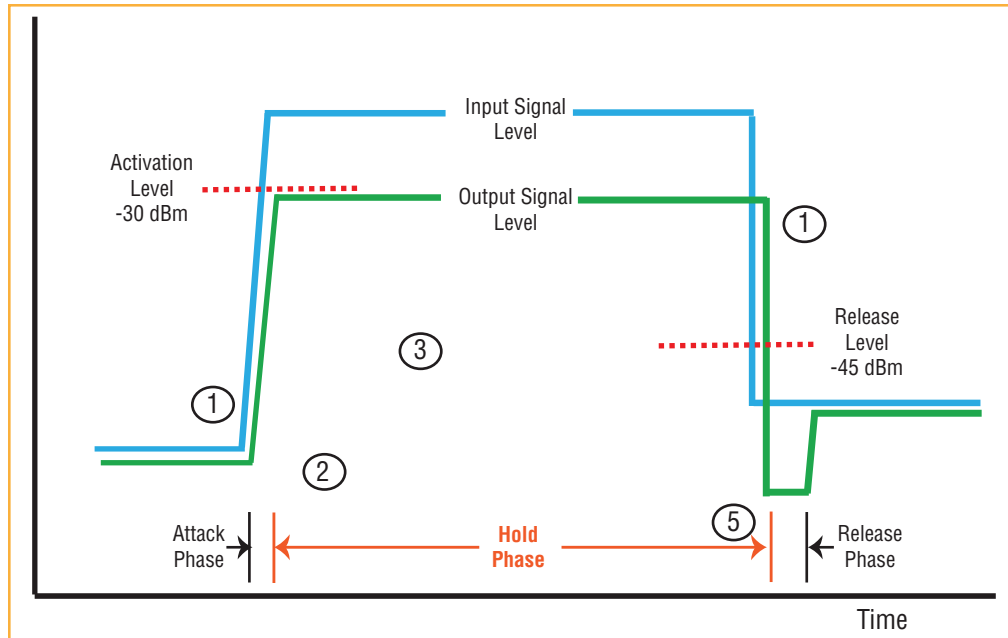


Figure 20. ALC Operation

### Using the RAU 10 dB Attenuation Setting

Each RAU band can, independently of the other RAUs in a system, have its uplink or downlink gain attenuated by 0 or 10 dB for each RAU band (1, 2 or 3). This is accomplished by selecting the appropriate UPLINK and/or DOWNLINK attenuation for each RAU band in the Edit Unit Properties screen of AdminBrowser for the selected RAU.

- Downlink Attenuation:** The downlink attenuator provides a mechanism to reduce the signal strength from an RAU band. For instance, this could be for an RAU band located near a window in a tall building that is causing excessive leakage to the macro-network. In such a case it is important to attenuate the downlink only. The uplink should not be attenuated. If the uplink is attenuated, the uplink sensitivity is reduced and mobile phones in the area of that RAU band will have to transmit at a higher power. This would increase interference to the outdoor network from such mobiles.
- Uplink Attenuation:** The uplink attenuator attenuates environmental noise picked up by an RAU band located in an area where heavy electrical machinery is operating. In such environments the electrical noise can be quite high and it is useful to reduce the amount of such noise that gets propagated through the distributed antenna system. Attenuating the uplink of an RAU band located in areas of high electrical noise helps preserve the sensitivity of the rest of the system.

The effect of activating the uplink or downlink attenuators is to reduce the coverage area of the adjusted RAU band. The coverage radius will be reduced by roughly a factor of 2. More specifically, if  $d$  is the coverage distance without attenuation and  $d'$  is the coverage radius with the attenuation, then

$$\frac{d}{d'} = 10^{10dB / PLS}$$

where PLS is path loss slope (dBm).

### Using the Uplink ALC Setting

Uplink automatic level control (UL ALC) circuitry for each band within the RAU provides automatic level control on high-power signals in the uplink path. This functionality is required to prevent RF signal compression caused by a single or multiple wireless devices in very close proximity to the RAU band. Compression causes signal degradation and, ultimately, dropped calls and data errors, and should be prevented. Two settings are available to optimize UL ALC performance:

- **Multiple Operators:** Use when more than one operator and/or protocol is present in the Fusion Wideband system's band frequency or adjacent frequency bands. This setting is most commonly used.
- **Single Operator and Protocol:** Use when only one operator and protocol is on-the-air within the Fusion Wideband system's configured and adjacent frequency bands. This setting is seldom used.



# INSTALLING FUSION WIDEBAND

Topics	Page
<b>Installation Requirements</b> .....	<b>107</b>
Component Location Requirements.....	107
Cable and Connector Requirements.....	107
Distance Requirements .....	108
<b>Safety Precautions</b> .....	<b>109</b>
Installation Guidelines .....	109
General Safety Precautions .....	109
Fiber Port Safety Precautions .....	110
<b>Preparing for System Installation</b> .....	<b>111</b>
Pre-Installation Inspection .....	111
Installation Checklist.....	111
Tools and Materials Required.....	113
Optional Accessories .....	114
<b>Installing a Fusion Wideband Main Hub</b> .....	<b>115</b>
Installing a Fusion Wideband Main Hub in a Rack.....	115
Installing an Optional Cable Manager in the Rack.....	116
Installing a Main Hub Using the 12" Wall-Mounted Rack (PN 4712) .....	116
Installing a Fusion Wideband Main Hub Directly to the Wall.....	117
Connecting the Fiber Cables to the Main Hub .....	118
Preparing the Fiber Cables .....	118
Cleaning the Fiber Ports .....	118
Using Compressed Air.....	118
Using Isopropyl Alcohol .....	118
Cleaning the Fiber Ends .....	119
Testing the Fiber Cables .....	119
Connecting the Fiber Cables.....	119
If the fiber jumper is labeled with <b>1</b> or <b>2</b> .....	<b>119</b>
If the Fiber Jumper is Color-Coded .....	120
Making Power Connections.....	120
AC Powered Main Hub .....	120
DC Powered Main Hub and Expansion Hub.....	120
Optional Connection to DC Power Source.....	124
Powering on the Main Hub.....	126
<b>Installing Expansion Hubs</b> .....	<b>127</b>
Installing an Expansion Hub in a Rack .....	127
Installing an Expansion Hub Using the 12" Wall-Mounted Rack.....	127
Installing an Expansion Hub Directly to the Wall .....	128
Installing an Optional Cable Manager in the Rack.....	129
Powering on the Expansion Hub .....	129
Connecting the Fiber Cables to the Expansion Hub .....	130
Preparing the Fiber Cables .....	130
Connecting the Fiber Cables.....	130
If the Fiber Jumper Is Labeled with <b>1</b> or <b>2</b> .....	<b>130</b>
If the Fiber Jumper Is Color-Coded .....	131
Connecting the 75 Ohm CATV Cables.....	131
Troubleshooting Expansion Hub LEDs During Installation .....	132

<b>Installing RAUs.....</b>	<b>133</b>
Installing RAUs.....	133
Installing Passive Antennas .....	133
Location .....	133
800/850 MHz Isolation Requirements .....	134
800 MHz iDEN Downlink and 850 MHz Cellular Uplink .....	135
850 MHz Cellular Downlink and 900 MHz iDEN Uplink .....	135
Connecting the Antenna to the RAU .....	135
Connecting the CATV Cable.....	136
Troubleshooting Using RAU LEDs During Installation .....	137
<b>Configuring the Fusion Wideband System .....</b>	<b>138</b>
Connecting the PC to the Main Hub to Run AdminBrowser .....	138
Programming the Main Hub Using AdminBrowser .....	139
Using AdminBrowser .....	140
<b>Splicing Fiber Optic Cable .....</b>	<b>145</b>
Fusion Wideband Splicing of Fiber and Pigtail .....	145
Option A: Fusion Wideband Splice the Fiber-Optic Cable to the SC/APC Pigtail.....	145
Option B: Fusion Wideband Splice the Fiber-Optic Cable to the SC/APC Pigtail.....	146
<b>Interfacing the Fusion Wideband Main Hub to an RF Source .....</b>	<b>147</b>
Connecting a Single Fusion Wideband Main Hub to an RF Source .....	147
Connecting a Fusion Wideband Main Hub to an In-Building BTS.....	147
Connecting a Simplex Base Station to a Fusion Wideband Main Hub RF Band.....	148
Connecting a Duplex Base Station to a Fusion Wideband Main Hub .....	149
Connecting a Fusion Wideband Main Hub RF Band to Multiple BTSs.....	150
Connecting a Fusion Wideband Main Hub to a Roof-Top Antenna .....	151
Connecting a Fusion Wideband Main Hub to Flexwave Focus.....	152
Connecting Multiple Fusion Wideband Main Hubs to an RF Source .....	152
Connecting Multiple Fusion Wideband Main Hubs to a Simplex Repeater or BTS .....	152
Connecting Multiple Fusion Wideband Main Hubs to a Duplex Repeater or BTS.....	154
<b>Connecting Contact Alarms to a Fusion Wideband System .....</b>	<b>156</b>
Alarm Source .....	157
Using FlexWave Focus to Monitor Fusion Wideband.....	157
Using a Base Station to Monitor Fusion Wideband.....	158
Using a Base Station and AdminBrowser to Monitor Fusion Wideband .....	159
Alarm Sense.....	160
Alarm Cables.....	161
<b>Alarm Monitoring Connectivity Options.....</b>	<b>162</b>
Direct Connection.....	162
Modem Connection.....	162
Setting Up Fusion Wideband Modem (USR Modem) Using AdminBrowser .....	163
Setting Up a PC Modem Using Windows.....	164
100 BASE-T Port Expander Connection .....	169
POTS Line Sharing Switch Connection .....	170
Ethernet RF Modem .....	171
Ethernet LAN Connection .....	172
SNMP Interface .....	172

## INSTALLATION REQUIREMENTS

Before and during installation, keep in mind these sources of potential problems:

- Faulty cabling/connector
- Dirty connectors and ports
- Malfunction of one or more Fusion Wideband components
- Antenna, base station, or repeater problem
- External RF interface
- Tripped circuit breaker
- Equipment is not grounded
- Using a crossover Ethernet cable that does not support full hardware handshaking when using AdminBrowser

**NOTE:** Faulty cabling is the cause of a vast majority of problems. All CATV cable should be tested to TIA-570-B specifications.

### Component Location Requirements

Fusion Wideband components are intended to be installed in indoor locations only.

If outdoor installation is desired, such as a parking garage, the Fusion Wideband components must be installed in the appropriate environmental enclosures.

### Cable and Connector Requirements

Fusion Wideband equipment operates over the following:

- CATV 75 Ohm cable with F connectors
- Single-mode fiber (SMF) or multi-mode (MMF) cable with SC/APC fiber connectors throughout the fiber network, including fiber distribution panels

These cables are widely-used, industry standards for the cable TV industry. The regulations and guidelines for Fusion Wideband cable installation are identical to those specified by the TIA/EIA 568-B standard and the TIA/EIA/570-A standards.

TE recommends solid copper center conductor, plenum-rated CATV cable and connectors for conformity to building codes, standards, and to ensure stated performance of maximum distance and RF specifications.

CommScope 2065V cable or equivalent is required for RG-59.

CommScope 2279V cable or equivalent is required for RG-6.

CommScope 2293K cable may also be used for RG-11.

**NOTE:** Refer to [“Appendix A: Cables and Connectors”](#) on page 191 for more information related to 75 Ohm CATV.

TE recommends connectors with fixed centerpins to ensure proper seating and to eliminate oxidation, which occurs with bare center conductors. Recommended are the following CANARE connectors:

- FP-C4F for commScope 2065V cable
- FP-C55A for CommScope 2279V cable
- FP-C71A for CommScope 2293K cable

**CAUTION!** The proper crimp tool and die must be matched by the connector type.

## Distance Requirements

Table 83 shows the distances between Fusion Wideband components and related equipment.

**Table 83.** *Distance Requirements*

Equipment Combination	Cable Type	Cable Length	Additional Information
Repeater/BTS to Fusion Wideband Main Hub	Coaxial; N male connectors	3–6 m (10–20 ft) typical  10 m (33 ft) maximum	Limited by loss and noise. Refer to your link budget calculation.  Limited by CE Mark requirements.
Fusion Wideband Expansion Hub to RAU	CATV 75 Ohm; shielded F male connectors	Minimum: 10 meters (33 ft) Maximum: 150 meters (492 ft) for RG-59; 170 meters (558 ft) for RG-6; 275 meters (902 ft) for RG-11  Refer to <a href="#">Table 37 on page 55</a> and <a href="#">Table 38 on page 56</a> .	Refer to “System Gain” on <a href="#">page 81</a> .
Main Hub to Expansion Hub	Multi-mode fiber: Single-mode fiber: SC/APC male connectors	500 m (1640 ft.) maximum 6 km (19,685 ft.) maximum	Limited by 3 dB optical attenuation
RAU to passive antenna	Coaxial; N male connectors	1–3.5 m (3–12 ft) typical	Limited by loss and noise. Refer to your link budget calculation.

## SAFETY PRECAUTIONS

### Installation Guidelines

Use the following guidelines when installing TE equipment:

- 1 Provide sufficient airflow and cooling to the equipment to prevent heat build-up from exceeding the maximum ambient air temperature specification. Do not compromise the amount of airflow required for safe operation of the equipment.
- 2 If you are removing the system, turn it off and remove the power cord first. There are no user-serviceable parts inside the components.
- 3 The internal power supplies have internal fuses that are not user replaceable. Consider the worst-case power consumption shown on the product labels when provisioning the equipment's AC power source and distribution.
- 4 Verify that the Hub is grounded properly using the AC power cord third wire ground.

**CAUTION!** Be careful with the mechanical loading of the rack mounted hub. Mount the equipment in the rack in such a way that a hazardous condition, due to uneven mechanical loading, does not result.

### General Safety Precautions

The following precautions apply to TE products:

- The units have no user-serviceable parts. Faulty or failed units are fully replaceable through TE. To contact TE, see [“Appendix D: Contacting TE Connectivity”](#) on page 229.
- When you connect the fiber optic cable, clean all optical fiber SC/APC connectors according to the cable manufacturer's instructions.
- When you connect a radiating antenna to an RAU, firmly hand-tighten the N connector – **DO NOT over-tighten the connector.**

**CAUTION!** To reduce the risk of fire or electric shock, do not expose this equipment to rain or moisture. The components are intended for indoor use only. Do not install the RAU outdoors. Do not connect an RAU to an antenna that is located outdoors where it could be subject to lightning strikes, power crosses, or wind.

- The Expansion Hub and RAU units are designed for intra-building cabling only. Outdoor routing of any cabling to these units shall not exceed 140 feet.

**CAUTION!** Outdoor cables farther than 140 feet must be installed with proper lightning protection.

## Fiber Port Safety Precautions

The following are suggested safety precautions for working with fiber ports. For information about system compliance with safety standards, refer to [“Appendix B: Compliance” on page 203](#).

**CAUTION!** Observe the following warning about viewing fiber ends in ports. Do not stare with unprotected eyes at the connector ends of the fibers or the ports of the hubs. Invisible infrared radiation is present at the front panel of the Main Hub and the Expansion Hub. Do not remove the fiber port dust caps unless the port is going to be used. Do not stare directly into a fiber port.

- **Test fiber cables:** When you test fiber optic cables, connect the optical power source last and disconnect it first. Use Class 1 test equipment.
- **Fiber ends:** Cover any unconnected fiber ends with an approved cap. Do not use tape.
- **Broken fiber cables:** Do not stare with unprotected eyes at any broken ends of the fibers. Laser light emitted from fiber sources can cause eye injury. Avoid contact with broken fibers; they are sharp and can pierce the skin. Report any broken fiber cables and have them replaced.
- **Cleaning:** Be sure the connectors are clean and free of dust or oils. Use only approved methods for cleaning optical fiber connectors.
- **Modifications:** Do not make any unauthorized modifications to this fiber optic system or associated equipment.
- **Live work:** Live work is permitted because TE equipment is a Class 1 hazard.
- **Signs:** No warning signs are required.
- **Class 1 laser product:** The system meets the criteria for a Class 1 laser product per IEC 60825-1: 1993+A1:+A2:2001 and IEC106825-2.

**CLASS 1  
LASER PRODUCT**

This mark appears on the front panel of the Main Hub and the Expansion Hub.

Complies with 21 CFR 1040.10 and 1040.11 except for deviations pursuant to Laser Notice No. 50, dated July 26, 2001.

The hazard level at all locations within the equipment is Hazard Level 1.

**CAUTION!** Use of controls or adjustments or performance of procedures other than those specified herein may result in hazardous radiation exposure.

## PREPARING FOR SYSTEM INSTALLATION

### Pre-Installation Inspection

Follow this procedure before installing Fusion Wideband equipment:

- 1 Verify the number of packages received against the packing list.
- 2 Check all packages for external damage; report any external damage to the shipping carrier. If there is damage, a shipping agent should be present before you unpack and inspect the contents because damage caused during transit is the responsibility of the shipping agent.
- 3 Open and check each package against the packing list. If any items are missing, contact TE customer service (see “Appendix D: Contacting TE Connectivity” on page 229).
- 4 If damage is discovered at the time of installation, contact the shipping agent.

### Installation Checklist

**Table 84.** *Installation Checklist*

✓	Installation Requirement	Consideration
	Floor Plans	Installation location of equipment clearly marked
	System Design	Used to verify frequency bands after installation
	Power available: Fusion Wideband Main Hub (AC) Fusion Wideband Expansion Hub (AC) To RAU (DC)  Fusion Wideband Main Hub (DC) Fusion Wideband Expansion Hub (DC)	Hub’s power cord is 2 m (6.5 ft) long. 115/230V, 2/1A, 50–60 Hz 115/230V, 6/3A, 50–60 Hz 54V (from the Hub)  38–64VDC, 2.5A 38–64VDC, 14A
	Rack space available (Main and Expansion Hub)	89 mm (3.5 in.) high (2U)
	Wall-Mount Fusion Wideband Main Hub	Hub must be mounted on 3/4” plywood backboard.
	Clearance for air circulation: Fusion Wideband Main or Expansion Hub RAU	76 mm (3 in.) front and rear, 51 mm (2 in.) sides 76 mm (3 in.) all around
	Suitable operating environment: Fusion Wideband Main or Expansion Hub  RAUs	Indoor location only 0° to +45°C (+32° to +113°F) 5% to 95% non-condensing humidity  –25° to +45°C (–13° to +113°F) 5% to 95% non-condensing humidity
	<b>Donor Antenna-to-Fusion Wideband Configuration (for each Fusion Wideband Band)</b>	
	Donor Antenna	Installed, inspected; N-male to N-male coaxial cable to lightning arrestor/surge suppressor
	Lightning Arrestor or Surge Suppressor	Installed between roof-top antenna and repeater; N-male to N-male 50 Ohm coaxial cable and outdoor cables longer than 140 feet.
	Repeater	Installed between lightning arrestor/surge suppressor and Hub; N-male to N-male coaxial cable. The Repeater must be a UL listed product.
	Attenuator	Installed between the circulator and the Hub downlink port to prevent overload. Optionally, it may be installed between the uplink port and the circulator.

**Table 84.** *Installation Checklist (Cont.)*

✓	Installation Requirement	Consideration
	Circulator or Duplexer	Installed between the repeater and the Hub uplink and downlink ports
<b>Base Station-to-Fusion Wideband Configuration (for each Fusion Wideband Band)</b>		
	Base Station	Installed, inspected; verify RF power (see tables in <a href="#">“Maximum Output Power per Carrier” on page 65</a> ); N-male to N-male coaxial cable
	Attenuator	Attenuation may be required to achieve the desired RF output at the RAU, and the desired uplink noise floor level
	Circulator or Duplexer	When using a duplex BTS: Installed between the BTS and the Hub uplink and downlink ports. Not used with a simplex BTS
<b>Connecting Multiple Fusion Wideband Main Hubs Together</b>		
	5-port Alarm Daisy-Chain Cable (PN 4024-3)	For contact alarm monitoring of fault and warning alarms. Used to feed the alarms from multiple Fusion Wideband Main Hubs into a BTS or FlexWave Focus. N.C. Operation.
<b>Cabling</b>		
	Coaxial: repeater, base station, Smart Source to Fusion Wideband Main Hub	Coax approved; N-type male connectors.
	Coaxial: RAU to passive antennas	Use low-loss cable; N male connector; typical 1 m (3.3 ft) using RG142 coaxial cable.
	Fiber: Main Hub to Expansion Hubs	SC/APC (angle-polished) male connectors for entire fiber run (can use SC/APC pigtails, PN 4012SCAPC-10 for MMF or 4013SCAPC-10 for SMF); Use jumper fiber cables for collocated Main and Expansion Hubs (3 m/10 ft.): Multi-mode: PN 4017SCAPC-10 Single-mode: PN 4018SCAPC-10 Distance limited by optical loss of 3 dB Multi-mode up to 500 m (1640 ft.) Single-mode up to 6 km (19,685 ft.)
	CATV	TIA-570-B approved; centerpin F male connectors. CATV connectors must be connected to the shield at both ends. The RAU will be damaged if it is mis-wired. Tie-off cables to avoid damaging the connectors because of cable strain.
	Fusion Wideband Expansion Hub to RAUs	<ul style="list-style-type: none"> <li>• Minimum: 0 meters (0 ft)</li> <li>• Maximum: RG-59: 150 meters (492 ft)</li> <li style="padding-left: 20px;">RG-6: 170 meters (557 ft)</li> <li style="padding-left: 20px;">RG-11: 275 meters (902 ft)</li> </ul> For cable requirements, see <a href="#">“Appendix A: Cables and Connectors” on page 191</a> .
<b>Configuring the System</b>		
	PC/laptop running standard browser software	Refer to the <i>AdminBrowser User Manual</i> (PN D-620607-0-20)
<b>Miscellaneous</b>		
	Cross-over Ethernet cable	Male connectors; Fusion Wideband Main Hub to a PC/laptop running a standard browser to the Fusion Wideband AdminBrowser software; local connection or LAN switch connector for remote connections.
	Straight-through cable	Female/male connectors; Fusion Wideband Main Hub to a modem for a remote connection.



**Table 84.** *Installation Checklist (Cont.)*

✓	Installation Requirement	Consideration
	<b>Distances</b>	
	Fusion Wideband Main Hub is within 3–6m (10–20 ft) of connecting repeater/BTS/FlexWave	If longer distance, determine the loss of the cable used for this connection and adjust the RF signal for each Band into the Fusion Wideband Main Hub accordingly. This can be done by readjusting the power from the base station, or by changing the attenuation value between the base station/repeater and the Hub Bands (1 and 2).

## Tools and Materials Required

**Table 85.** *Tools and Materials Required for Component Installation*

✓	Description
	Cable ties
	Screwdriver
	Mounting screws and spring nuts
	Screws, anchors (for mounting RAUs)
	Drill
	Fiber connector cleaning kit
	Fusion Wideband splicer
	Splicing tool kit (including snips, cladding strippers, fiber cleaver, isopropyl alcohol, lint-free wipes)
	Fusion Wideband splicing sleeves

## Optional Accessories

**Table 86.** *Optional Accessories for Component Installation*

✓	Description
	Wall-mount bracket (PN 4712) When using this bracket with an Fusion Wideband Main Hub, the Hub's mounting bracket must be moved to the alternate mounting position (refer to <a href="#">"Installing a Fusion Wideband Main Hub in a Rack"</a> on page 115).
	Cable management (Cable manager: PN 4759; Tie wrap bar: PN 4757)
	Splice trays
	Pigtails with SC/APC connectors, 3 m (10 ft.) Multi-mode fiber SC/APC pigtail: PN 4012SCAPC-10 Single-mode fiber SC/APC pigtail: PN 4013SCAPC-10
	Jumper cable when Main and Expansion Hubs are collocated, 3 m (10 ft.) Multi-mode fiber SC/APC: PN 4018SCAPC-10
	Line Sharing Switch: When using a single POTS line with multiple Fusion Wideband Main Hubs, connect up to four or eight modems to a line sharing switch: 4-port (240031-0) 8-port (240052-0)
	Alarm Cables: 5-port Alarm Daisy-Chain Cable (PN 4024-3) Alarm Sense Adapter Cable (PN 4025-1)

## INSTALLING A FUSION WIDEBAND MAIN HUB

**CAUTION!** Install Fusion Wideband Main Hubs in indoor locations only.

**NOTE:** The following procedure assumes that the system is new from the factory and that it has not been programmed with bands. If you are replacing components in a pre-installed system with either new units or units that may already be programmed (for example, re-using units from another system), refer to “Replacing Fusion Wideband Components” on page 175.

### ✓ Installing a Fusion Wideband Main Hub in a Rack

The Fusion Wideband Main Hub (2U high) mounts in a standard 19 in. (483 mm) equipment rack. Allow clearance of 76 mm (3 in.) front and rear, and 51 mm (2 in.) on both sides for air circulation. No top or bottom clearance is required.



**Figure 21.** Flush Mounting Bracket Detail

**Do the following to install the Hub in a rack:**

- 1 Confirm that the mounting screws match the rack’s threads. (The Fusion Wideband Main Hub ships with #10-32 mounting screws; another common rack thread is #12-24.)
- 2 Insert spring nuts into rack where needed or use existing threaded holes.
- 3 Place the Hub into the rack from the front.
- 4 Align the flange holes with the spring nuts installed in Step 2.
- 5 Insert the mounting screws in the appropriate positions in the rack.
- 6 Tighten the mounting screws.

## ✓ Installing an Optional Cable Manager in the Rack

Use the screws provided to fasten the cable manager to the rack, immediately above or below the Main Hub.

## ✓ Installing a Main Hub Using the 12" Wall-Mounted Rack (PN 4712)

**NOTE:** The maximum weight the bracket can hold is 22.5 kg (50 lbs.).

**NOTE:** The bracket is designed to accommodate a Fusion Wideband Main Hub (12 lbs.) or an Expansion Hub (14.5 lbs.).

**NOTE:** The wall mount bracket should be securely mounted to wall, using the four key slot mounting holes on the bracket.

**NOTE:** The rack-mounting brackets on the Fusion Wideband Main Hub must be moved to the recessed mounting position (shown in [Figure 22](#)) to allow for the required 76 mm (3 in.) rear clearance.

- 1 Attach the wall bracket (PN 4712) to wall the using #10 Pan Head wood screws, 1-1/2" minimum length for mounting in wood studs or 3/4" thick plywood. The bracket must be positioned so that the Hub will be in a horizontal position when it is installed. (Refer to [Figure 22](#).)

**NOTE:** If wall stud spacing of 16" is not available, pre-install 3/4" plywood to the wall. You can then attach the bracket to the plywood using the wood screws.



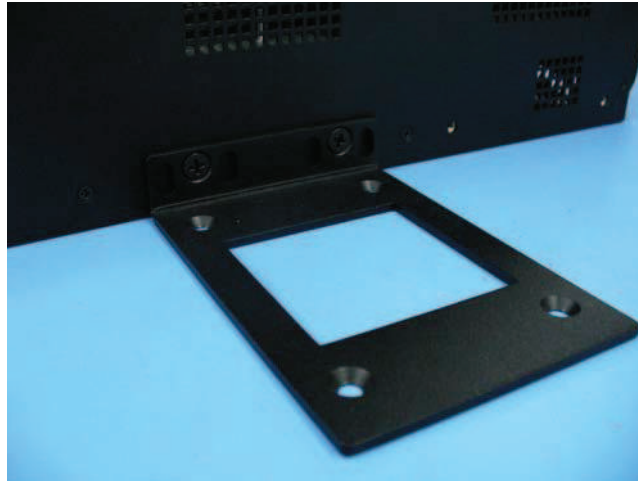
**Figure 22.** Bracket Detail For Wall Mount Rack (PN 4712)

- 2 Remove both of the rack mounting brackets from the Hub.
- 3 Reattach each of the rack mounting brackets to the recessed wall mount position.
- 4 Install the Hub in the rack using the rack mounting screws.

## ✓ Installing a Fusion Wideband Main Hub Directly to the Wall

Do the following to install the Hub directly to the wall:

- 1 Pre-install 3/4" plywood to the wall.
- 2 Mount both of the rack mounting brackets using #10-32 machine screws, as shown in [Figure 23](#).



**Figure 23.** Using Hub Rack-Mounting Brackets for Direct Wall Installation

- 3 Attach the Hub to the wall so the mounting brackets are orientated at the top and bottom of the wall mounted hub, as shown in [Figure 24](#).



**Figure 24.** Installing Directly to the Wall

## ✓ Connecting the Fiber Cables to the Main Hub

**CAUTION!** Observe all Fiber Port Safety Precautions listed in “Safety Precautions” on page 109.

### Preparing the Fiber Cables

Do the following before connecting the fiber cables:

- 1 Confirm that their optical loss does not exceed the 3 dB optical budget.
- 2 If you are using fiber distribution panels, confirm that the total optical loss of fiber cable, from the Main Hub through distribution panels and patch cords to the Expansion Hub, does not exceed the optical budget.
- 3 Make sure the fiber cable’s connectors are SC/APC (angle-polished). **Using any other connector type will result in degraded system performance and may damage the equipment.** (You can use an SC/APC pigtail if the fiber cable’s connectors are not SC/APC. Refer to “Fusion Wideband Splicing of Fiber and Pigtail” on page 145. Or, you can change the fiber’s connector to SC/APC.)

### Cleaning the Fiber Ports

You can clean the Hub’s fiber ports using canned compressed air or isopropyl alcohol and foam tipped swabs.

- If using compressed air, the air must be free of dust, water, and oil.
- Hold the can level during use.
- If using isopropyl alcohol and foam tipped swabs, use only 98% pure or more alcohol.

#### Using Compressed Air

- 1 Remove the port’s dust cap.
- 2 Spray the compressed air away from the unit for a few seconds to clean out the nozzle and then blow dust particles out of each fiber port.

#### Using Isopropyl Alcohol

- 1 Remove the connector’s dust cap.
- 2 Dip a 2.5mm lint-free, foam-tipped swab in isopropyl alcohol and slowly insert the tip into the connector.
- 3 Gently twist the swab to clean the port.
- 4 Insert a dry swab into the port to dry it.
- 5 Additionally, you can use compressed air after the alcohol has completely evaporated.

## Cleaning the Fiber Ends

Be sure that the fiber cable's SC/APC connectors are clean and free of dust and oils. You need lint-free cloths, isopropyl alcohol, and compressed air.

- 1 Moisten a lint-free cloth with isopropyl alcohol.
- 2 Gently wipe the fiber end with the moistened cloth.
- 3 Using a dry lint-free cloth, gently wipe the fiber end.
- 4 Spray the compressed air away from the connector for a few seconds to clean out the nozzle and then use it to completely dry the connector.

## Testing the Fiber Cables

Perform cable testing and record the results. Test results are required for the final As-Built Document.

## Connecting the Fiber Cables

The fiber cable is labeled with either **1** or **2**, or is color-coded. In addition to these labels, you should add a code that identifies which port on the Main Hub is being used and which Expansion Hub the cables are intended for. This differentiates the connectors for proper connection between the Main Hub and Expansion Hubs.

For example:

First pair to Main Hub port 1: 11 (uplink), 12 (downlink);  
 Second pair to Main Hub port 2: 21 (uplink), 22 (downlink);  
 Third pair to Main Hub port 3: 31 (uplink), 32 (downlink); and so on.

**NOTE:** The Fusion Wideband One Port Main Hub (PN: FSN-1-MH-1P and FSN-2-MH-2-1P) configuration is a cost reduced version of the Fusion Wideband Main Hub and supports *only* one Expansion Hub (up to 8 RAUs).

If the fiber jumper is labeled with 1 or 2

- 1 Connect 1s to **UPLINK** ports on the Main Hub.
- 2 Connect 2s to **DOWNLINK** ports on the Main Hub.
- 3 Record which cable number and port number you connected to **UPLINK** and **DOWNLINK**.

This information is needed when connecting the other end of the fiber cable to the Expansion Hub's fiber ports.

The fiber port LEDs should be off, indicating that the Expansion Hub(s) are not connected.

### If the Fiber Jumper is Color-Coded

- 1 Connect “blue” to **UPLINK** ports on the Main Hub.
- 2 Connect “red” to **DOWNLINK** ports on the Main Hub.
- 3 Record which color and port number you connected to **UPLINK** and **DOWNLINK**.

This information is needed when connecting the other end of the fiber cable to the Expansion Hub’s fiber ports.

The fiber port LEDs should be off, indicating that the Expansion Hub(s) are not connected.

### ✓ Making Power Connections

**CAUTION!** Only trained and qualified personnel should be allowed to install or replace this equipment.

#### AC Powered Main Hub

To connect AC power to a Main Hub:

- 1 Connect the AC power cord to the Main Hub.
- 2 Plug the power cord into an AC power outlet.

#### DC Powered Main Hub and Expansion Hub

**CAUTION!** The protective earth connection should be connected before proceeding with power connections. Confirm the DC power source is powered off during installation. Damage to hubs may result if power is connected improperly.

The DC powered Main Hub and Expansion Hub are intended to be powered by a +48VDC power source. The hubs are designed for 14AWG to 6AWG wire size connections. Use only UL listed AWM wire, rated 600V and 90 degrees C.

If wires larger than 6AWG are needed from the DC power source, follow local codes for reducing the wire size at hub connection point.

Follow local codes for routing of power cables to power source.

The unit should be connected to a DC branch circuit breaker. A suitable disconnect device must be provided in the DC branch, either a circuit breaker or switch, that can be employed to disconnect power to the system during servicing.