



Danger: *This equipment uses a Class 1 Laser according to FDA/CDRH rules. Laser radiation can seriously damage the retina of the eye. Do not look into the ends of any optical fiber. Do not look directly into the optical transmitter of any unit or exposure to laser radiation may result. An optical power meter should be used to verify active fibers. A protective cap or hood **MUST** be immediately placed over any radiating transmitter or optical fiber connector to avoid the potential of dangerous amounts of radiation exposure. This practice also prevents dirt particles from entering the connector.*

6.8.1 Optical Connections Without WDM System

Use the following procedure to connect the optical fibers when there is no WDM installed with the HU:

1. Obtain two patch cords that are of sufficient length to reach from the HU to the fiber distribution panel.
2. Designate one of the patch cords as the **forward path** link and the other as the **reverse path** link and attach an identification label or tag next to the connector.
3. Remove the dust caps from the HU SeRF SFP optical ports and from the patch cord connectors that will be connected to the SeRF SFP optical ports.
4. Clean each patch cord connector following the patch cord supplier's recommendations.

► **Note:** To protect the optical receivers, insert a 15 dB attenuator in each optical path. When the system is turned-up and tested, the attenuator may be resized or removed.

5. Insert each patch cord connector into the appropriate optical port as shown in [Figure 13](#) and as specified by the following:

PORT 1 FWD - Forward path patch cord

PORT 1 REV - Reverse path patch cord



Caution: *Improper handling can damage fiber optic cables. Do not bend fiber optic cable more sharply than the minimum recommended bend radius specified by the cable manufacturer. Do not apply more pulling force to the cable than specified.*

6. Route the patch cords from the HU to the fiber distribution panel.

► **Note:** The HU optical adapters are angled to the **left**. Therefore, always route patch cords to the HU from the **left** side of the rack. Routing patch cords to the HU from the right may exceed the bend radius limitations for the optical fiber.

7. At the fiber distribution panel, identify the OSP cable optical fiber terminations that correspond to the forward and reverse paths.
8. Remove the dust caps from the OSP cable optical fiber adapters and from the patch cord connectors.
9. Clean each patch cord connector (follow patch cord supplier's recommendations) and then mate the connector with the appropriate OSP cable adapter.

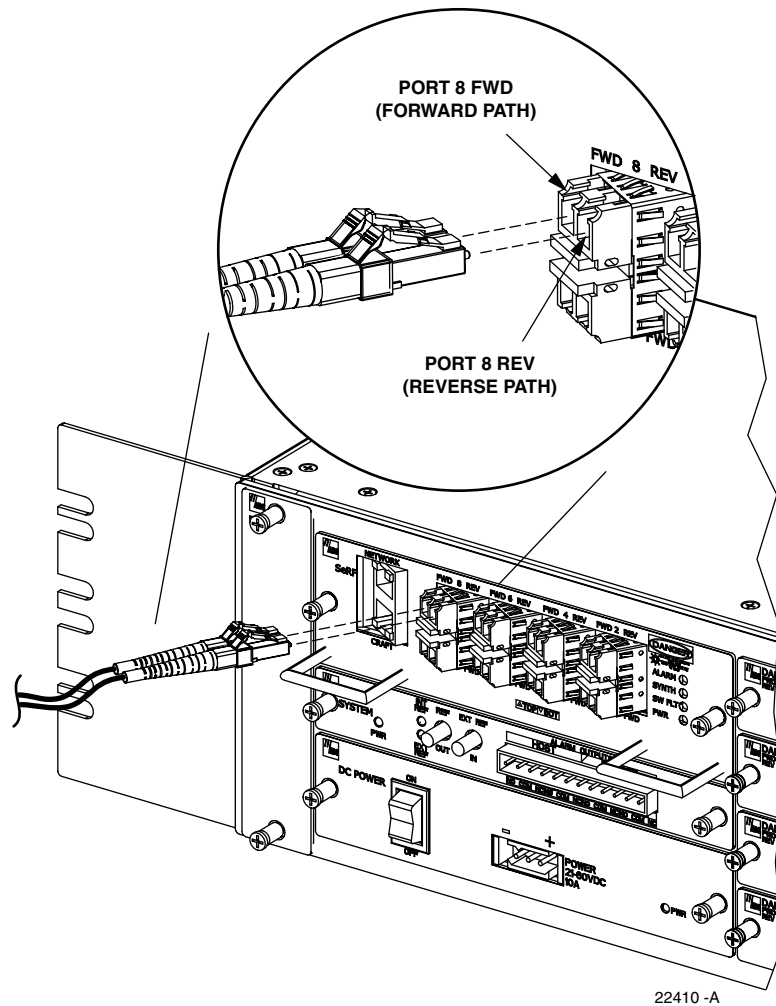


Figure 13. Fiber Optic Cable Connections To Host Unit

10. Repeat this procedure for the remaining SeRF SFPs in the HU.
11. Store any excess patch cord slack at the fiber distribution panel or storage panel.

6.8.2 Optical Connections For Systems With a WDM

Use the following procedure to connect the optical fibers when a WDM module is installed with the HU:

1. Obtain a patch cord that is of sufficient length to reach from the WDM module to the fiber distribution panel.
2. Remove the dust cap from WDM Port or Port 4 on the WDM module and from the patch cord connector that will be connected to the WDM module.

► **Note:** WDM module ports are labeled FWD, REV, TEST, and WDM.

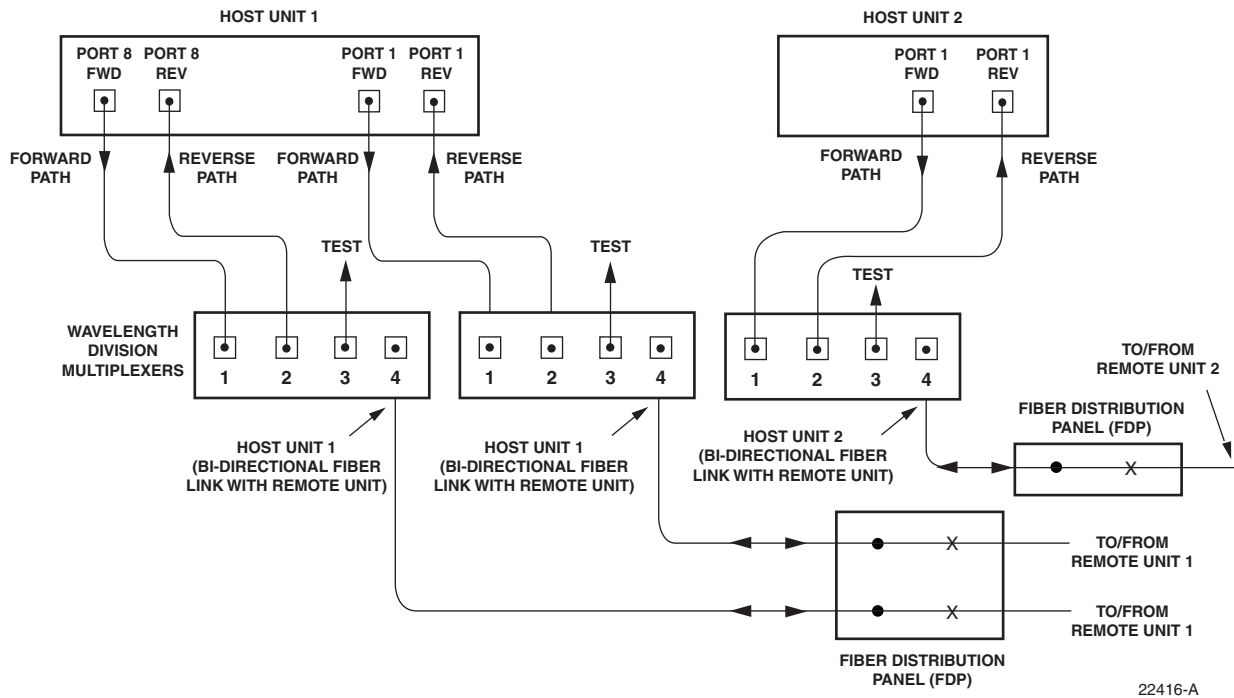


Figure 14. Fiber Optic Connections To WDM Module

3. Clean the patch cord connector (follow patch cord supplier’s recommendations).
4. Insert the connector into the WDM module optical WDM port (port 4).
5. Route the patch cord from the WDM to the fiber distribution panel or storage panel.
6. Identify the OSP cable optical fiber termination that corresponds to the RU.
7. Remove the dust cap from the OSP cable optical adapter and from the patch cord connector.
8. Clean the patch cord connector (follow patch cord supplier’s recommendations) and then mate the connector with the appropriate OSP cable adapter.
9. Store any excess patch cord slack at the fiber distribution panel.
10. Obtain two patch cords that are of sufficient length to reach from the WDM module to the HU.
11. Designate one of the patch cords as the **forward path** link and the other as the **reverse path** link and attach an identification label or tag next to the connector.
12. Remove the dust caps from the HU SeRF SFP optical ports and from the patch cord connectors that will be connected to the SeRF SFP optical ports.
13. Clean each pigtail connector (follow the procedures provided with the WDM module) and then insert the connector into the appropriate optical port on the HU as shown in Figure 13 and as diagramed in Figure 14.

► **Note:** To protect the optical receivers, insert a 15 dB attenuator in each optical path. When the system is turned-up and tested, the attenuator may be resized or removed.

- ▶ **Note:** The HU SeRF SFP optical adapters are angled to the **left**. Therefore, pigtails should always be routed to the HU from the **left** side of the rack. Routing pigtails to the HU from the right side of the rack may exceed the bend radius limitations for the optical fiber.

6.9 EXT REF Connections

- ▶ **Note:** When using the 10 MHz external reference clock the signal must be connected to the HU before enabling the clock source in the software.

EXT REF connections between multiple HU's is supported through two QMA type female connectors mounted on the System card. One of the jacks is designated as the IN port and the other jack is designated as the OUT port. The EXT REF interface allows HU's to be connected together (in daisy-chain fashion) and clocked through a single source. Use the following procedure to connect EXT REF interface cables between multiple HU's:

1. Connect one end of the EXT REF interface cable (accessory) to either the IN or OUT port on HU #1 as shown in [Figure 15](#).

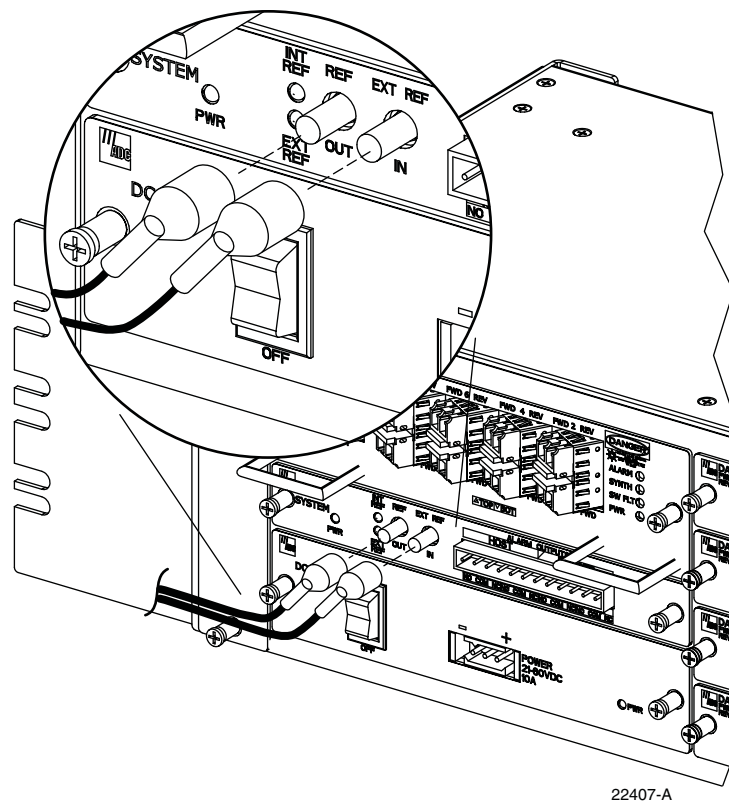


Figure 15. EXT REF Connections

2. Route the EXT REF interface cable to HU #2 and connect the cable's free end to the port that is the **logical opposite** of the EXT REF interface connection at HU #1.

- ▶ **Note:** Connect OUT to IN and IN to OUT. If connected to a EXT REF OUT port at HU #1, connect to the EXT REF IN port at HU #2. If connected to a EXT REF IN port at HU #1, connect to a EXT REF OUT port at HU #2.
- 3. If a third HU will be connected to the network, connect a second EXT REF interface cable to the remaining network port on HU #2.
- 4. Route the second EXT REF interface cable to HU #3 and connect the cable's free end to the port that is the logical opposite of the EXT REF interface connection at HU #2.
- 5. Repeat steps 3 and 4 for each additional HU that is added to the network. A diagram of typical EXT REF interface connections is shown in [Figure 16](#).

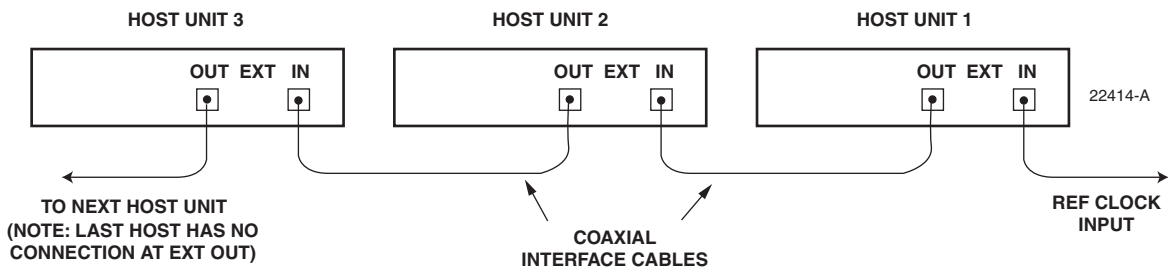


Figure 16. Configuring EXT REF Connections with Multiple Host Units

6.10 Computer Connection (CRAFT)

The service interface connection between the HU and the computer is supported by a single RJ-45 connector. Use the following procedure to install the service interface cable:

1. Connect one end of the service interface cable (accessory) to the CRAFT port as shown in [Figure 17](#).
2. Route the service interface cable to the computer and connect the free end of the cable to the computer's port. Refer to the user manual provided with the computer to locate and configure the specified port.

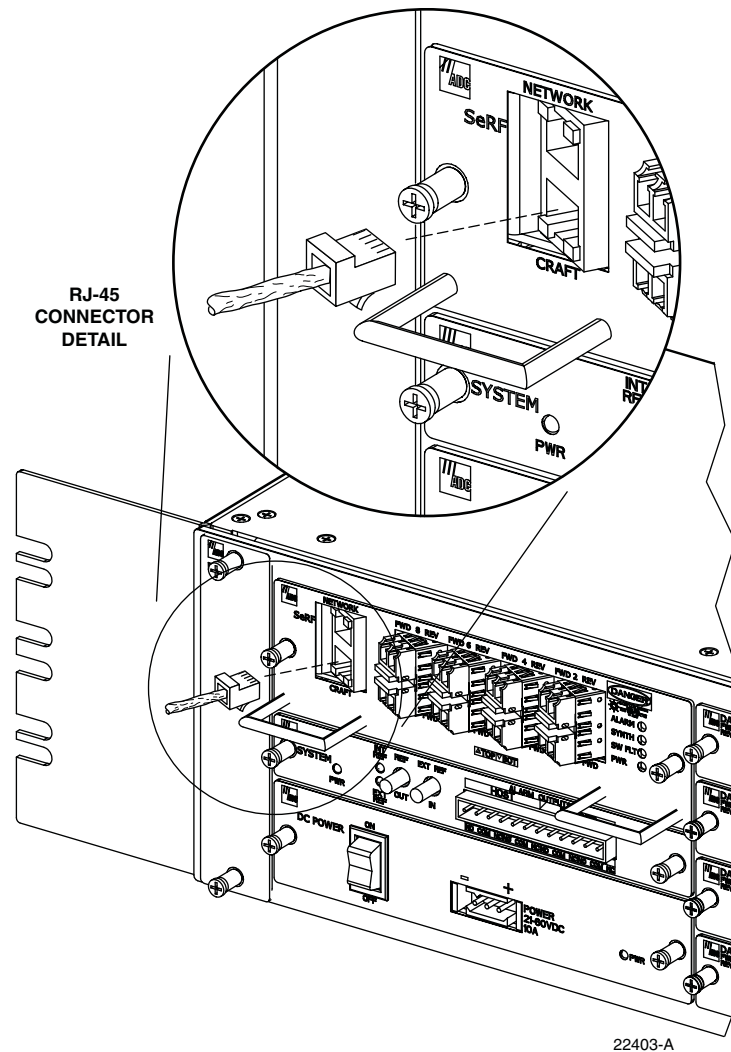


Figure 17. Craft Interface and Network Interface Connections

6.11 Network Connection

A network connection between the HU and the network is used to monitor and configure the FlexWave URH system through a single IP connection. Use the following procedure to install the network interface cable:

1. Connect one end of the cable (accessory) to the NETWORK port as shown in Figure 17.
2. Route the cable to the computer and connect the free end of the cable to the computer's port. Refer to the user manual provided with the computer to locate and configure the specified port.

6.12 System Alarm System Connections

The alarm interface between the HU and an alarm system is supported by twelve-terminal plug (with screw-type terminals) that connects to a receptacle mounted on the HU System card front panel. The terminal plug provides connections to normally open (NO) and normally closed (NC) dry type alarm contacts for both major and minor alarms. A category 3 or 5 cable is typically used to connect the HU System card to the alarm system. Use the following procedure to install the alarm wiring and connect it to the HU:

1. Obtain the required length of category 3 or 5 cable.
2. Route the cable between the HU System card and the alarm system (if not already routed) and then cut to the required length. Allow sufficient slack for dressing and organizing the cable at the HU.
3. Strip back the outer cable sheath and insulation to expose the wires at both ends of the cable and strip back 0.2 inches (5 mm) of insulation from each wire.
4. Connect the Major alarm wire pair to the MAJOR COM/NC or MAJOR COM/NO terminals (whichever is required by the alarm system) on the HU System card alarm terminal connector (supplied with HU System card) as shown in [Figure 18](#).
5. Connect the Minor alarm wire pair to the MINOR COM/NC or MINOR COM/NO terminals (whichever is required by the alarm system) on the HU System card alarm terminal connector (see [Figure 18](#) and [Table 4](#)).
6. Connect the Major and Minor alarm wire pairs to the appropriate terminals on the external alarm system.
7. Dress and secure cable per standard industry practice.

Table 4. System Card Alarm Pin Designations

PIN	DESCRIPTION
1	Host Minor Normally Closed
2	Host Minor Common
3	Host Minor Normally Open
4	Host Major Normally Closed
5	Host Major Common
6	Host Major Normally Open
7	Remote Minor Normally Closed
8	Remote Minor Common
9	Remote Minor Normally Open
10	Remote Major Normally Closed
11	Remote Major Common
12	Remote Major Normally Open

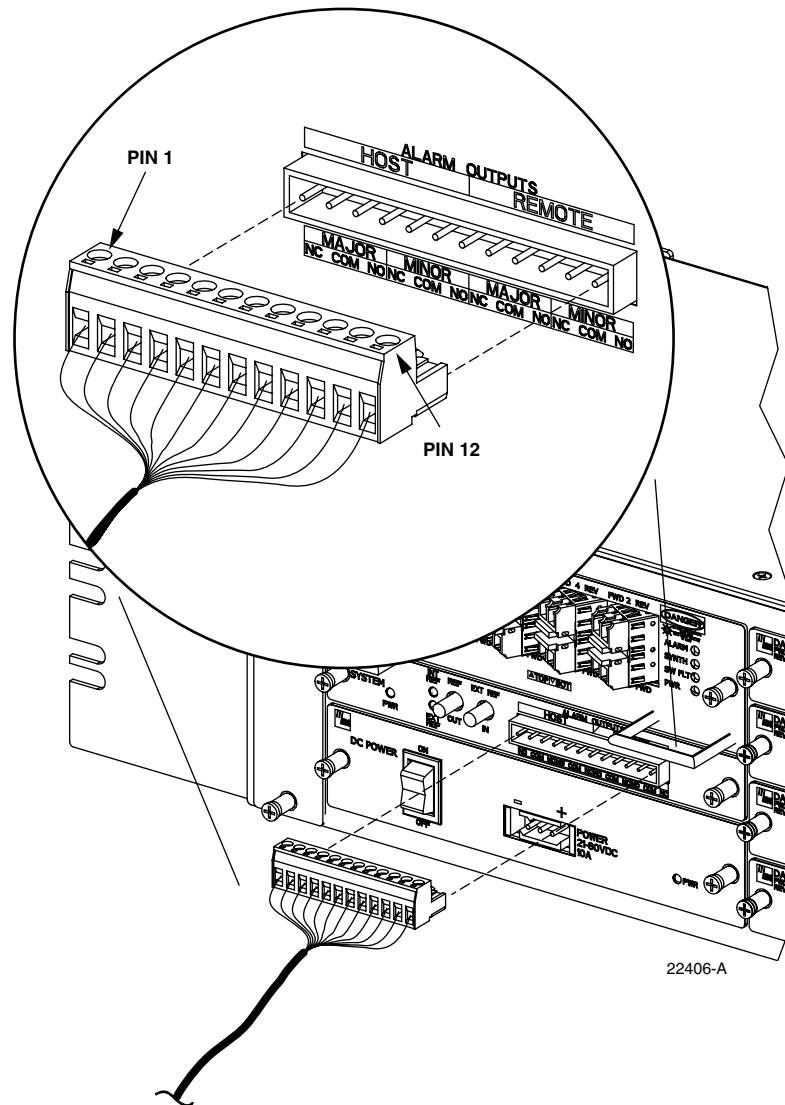


Figure 18. Alarm System Connections

6.13 Power Connections

HU is powered by a modular power supply located on the lower left side of the chassis. An On/Off switch is provided on the HU power supply module front panel.

6.13.1 DC Power Connections

The HU is powered by ± 20 to 60 VDC power (nominal ± 24 or ± 48 VDC), install DC Power Supply in the lower left side of the HU chassis. Secure in place by turning screws clock-wise until tight.

A three position terminal block is provided for connecting the power wires. The power is fed to the HU Power Supply module through a connector located on the front of the unit. Power to the HU must be supplied through a fuse panel such as the 20 position PowerWorx GMT Fuse Panel (available separately) and the power must be protected with a 15 Amp GMT fuse.

Use the following procedure to install the power wiring:

1. Obtain the items listed below:
 - Wire stripper and screwdriver
 - Wire, #18 AWG (1.00 mm) red and black insulated copper wire. Recommended wire size for the power leads, when fused in the same bay.
2. Turn power switch on power supply OFF.
3. Connect the wires to the designated terminals on the fuse panel.
4. Dress and secure the wires to the rack following local practice. Route wiring away from sharp edges and secure in place to prevent chaffing and provide strain relief.
- ▶ **Note:** All DC input wiring should be routed away from any sharp edges and properly secured in place to prevent chafing and to provide strain relief. This may be achieved by tie-wrapping wires to the rack frame or by a similar means.
5. Route the wires to the terminal block ([Figure 19](#)) on the HU Power Supply and cut them to length, allowing sufficient length for termination.
6. Loop both power wires around and through the Ferrite as shown in [Figure 19](#).
7. Strip 1.27 cm (0.5 inch) of insulation from the end of each wire.
8. Insert one end of each wire into the terminal block, one into + and the other into the – position.
9. The terminal block must plug into the three-pin receptacle on the front of the HU Power Supply.
10. Install fuses in the fuse panel. Update office records as required.
- ▶ **Note:** When connecting the equipment to the supply circuit, be sure to check equipment nameplate ratings to avoid overloading circuits which may cause damage to over-current protection devices and supply wiring.
11. Turn power switch on power supply ON.
12. The procedure for checking the voltage level and verifying that the HU is ready to power up is provided in the applicable System Operation and Maintenance Manual (see Related Publications section).

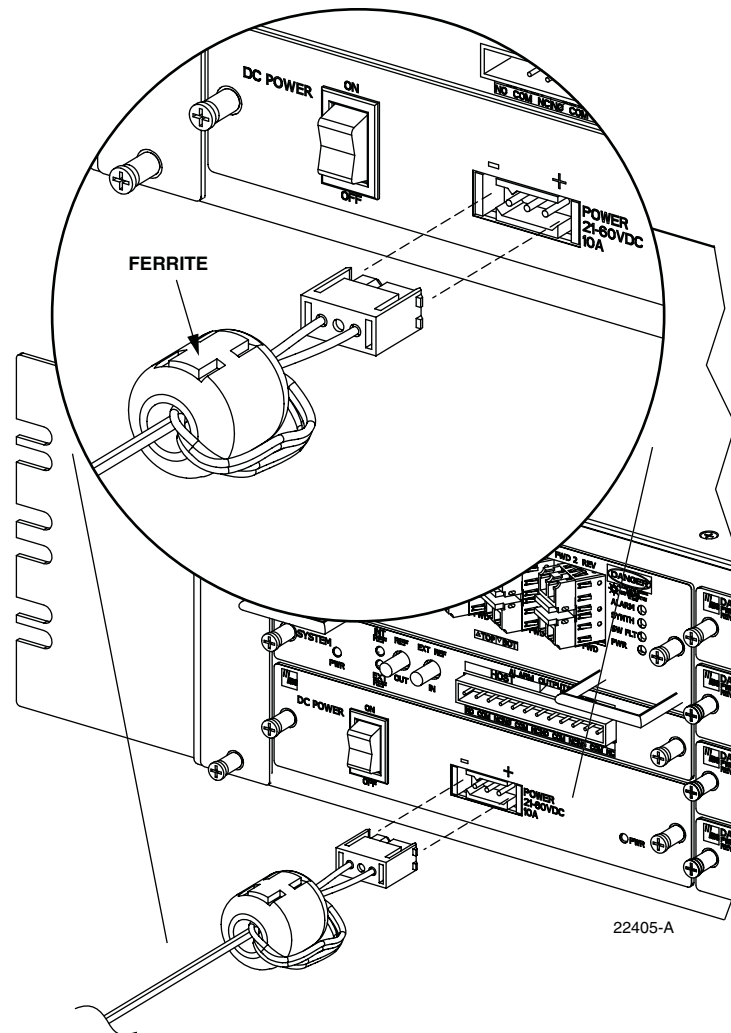


Figure 19. DC Power Connections

6.14 Installation Complete

When the installation is complete, refer to the applicable System User Manual (see Related Publications section) for the system turn-up and test procedures.

7 MAINTENANCE

This section provides the HU maintenance procedures. Refer to this section when scheduled maintenance is required. The fault isolation and troubleshooting procedures are provided in the applicable System Operation and Maintenance Manual (see Related Publications section). Host Unit card locations are shown in [Figure 20](#).

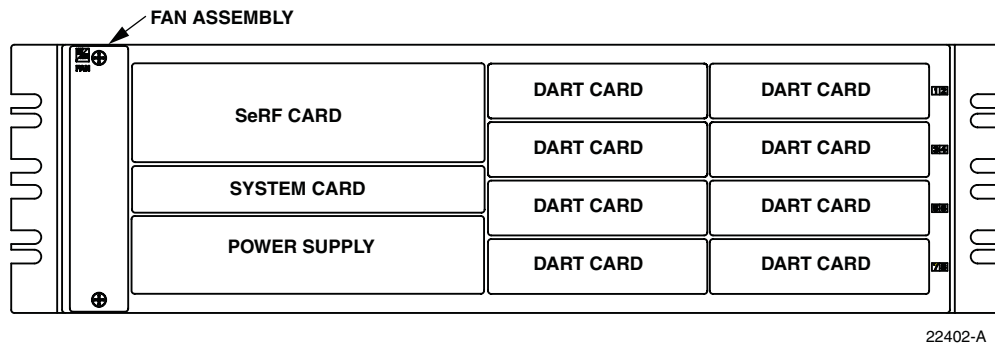


Figure 20. Host Unit Card Locations

7.1 Host Unit Fan Replacement Procedure

The HU is equipped with a fan assembly consisting of two cooling fans which is located on the left side of the HU enclosure. The cooling fans blow cool air into the enclosure. Heated air is exhausted through the vent openings on the right side of the enclosure. Replacement of fan assembly does not require that the HU be turned off. The recommended replacement interval is 60 months. Use the following procedure to remove and replace the HU cooling fans:

1. Before working on the HU or handling a fan, slip on an Electro-Static Discharge (ESD) wrist strap and connect the ground wire to an earth ground source. Wear the ESD wrist strap while completing each section of the fan installation procedure.



Warning: *Electronic components can be damaged by static electrical discharge. To prevent ESD damage, always wear an ESD wrist strap when working on the HU and when handling electronic components.*

2. Notify the NOC or alarm monitoring system operator that the fan is being replaced.
3. Loosen the two thumb screws that secure the fan/grill assembly to the front of the HU enclosure as shown in [Figure 21](#).
4. Carefully withdraw the fan/grill assembly from the enclosure.
5. Slide the new fan assembly into the HU chassis until it is firmly seated.
6. Secure the fan/grill assembly to the front of the enclosure (see [Figure 21](#)) using the two screws loosened in [Step 3](#).
7. Verify that the fans run properly following power-up.
8. Notify the NOC or alarm monitoring system operator that the fans are back in operation.

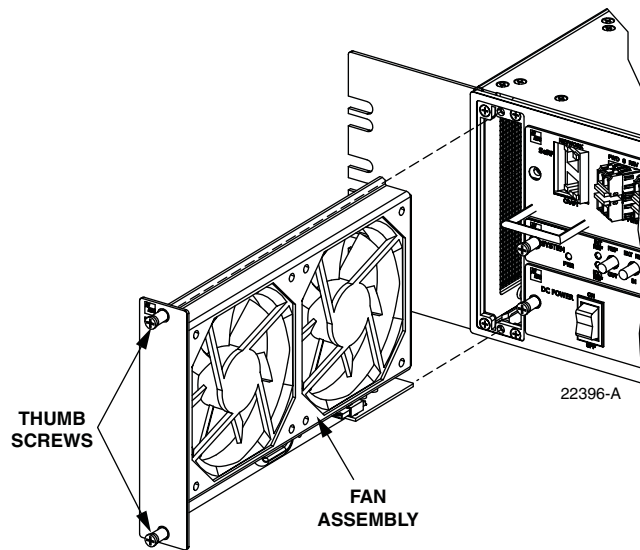


Figure 21. Host Unit Fan Assembly Removal

7.2 Power Supply Replacement Procedure

Removing the power supply will disable the Host Unit and interrupt service. Notify the NOC or alarm monitoring system operator that the system will be out of service for a period of time.

1. Before working on the HU or handling a power supply, slip on an Electro-Static Discharge (ESD) wrist strap and connect the ground wire to an earth ground source. Wear the ESD wrist strap while completing each section of the fan installation procedure.



Warning: *Electronic components can be damaged by static electrical discharge. To prevent ESD damage, always wear an ESD wrist strap when working on the HU and when handling electronic components.*

2. Turn power switch to the OFF position.
3. Unplug power plug by applying pressure to the left and right side of the connector and pulling it straight out.
4. Loosen the two thumb screws that secure the Power Supply to the front of the HU enclosure. See [Figure 22](#).
5. Carefully withdraw the Power Supply from the enclosure.
6. Slide replacement Power Supply into the HU chassis until it is firmly seated.
7. Secure the Power Supply to the front of the enclosure using the two thumb screws loosened in [Step 4](#).
8. Plug power plug into the power connector on the front of the Power Supply. Make certain that it is fully seated.

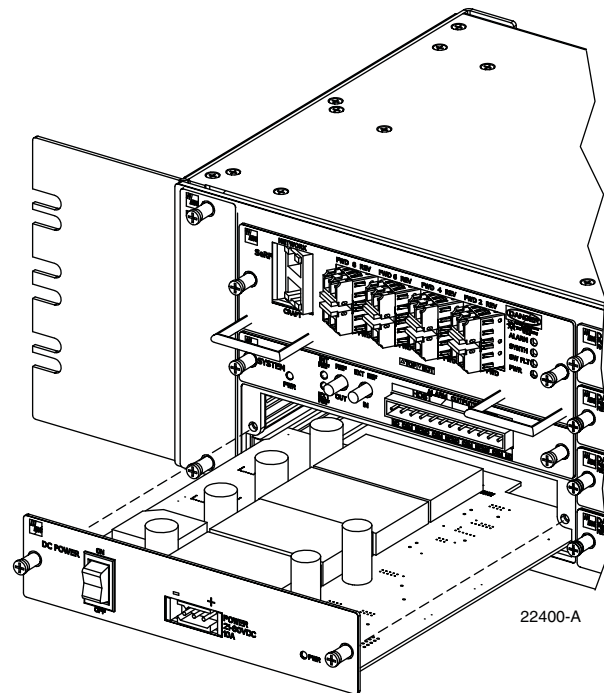


Figure 22. Power Supply Replacement

9. Turn power switch to the ON position.
10. Notify the NOC or alarm monitoring system operator that the system is back in operation.

7.3 System Card Replacement Procedure

System Card can be replaced without disrupting service. If the EXT REF is being used communications to other HU's will be disrupted.

1. Before working on the HU or handling a System Card, slip on an Electro-Static Discharge (ESD) wrist strap and connect the ground wire to an earth ground source. Wear the ESD wrist strap while completing each section of the fan installation procedure.



Warning: *Electronic components can be damaged by static electrical discharge. To prevent ESD damage, always wear an ESD wrist strap when working on the HU and when handling electronic components.*

2. Notify the NOC or alarm monitoring system operator that the System Card is being replaced.
3. If used, disconnect EXT REF cables from the front of the System Card.
4. Remove alarm plug from the front of the System Card by pressing on the lock tabs.
5. Loosen the two thumb screws that secure the System Card to the front of the HU enclosure. See [Figure 23](#).

6. Carefully withdraw the System Card from the enclosure.
7. Slide replacement System Card into the HU chassis until it is firmly seated.
8. Secure the System Card to the front of the enclosure using the two thumb screws loosened in [Step 5](#).
9. If used, connect EXT REF cables to the front of the System Card.
10. Plug alarm plug into the connector on the System Card.
11. On the Power Supply turn the power switch OFF and then back ON to reset the System Card.
12. Notify the NOC or alarm monitoring system operator that the system is back in operation.

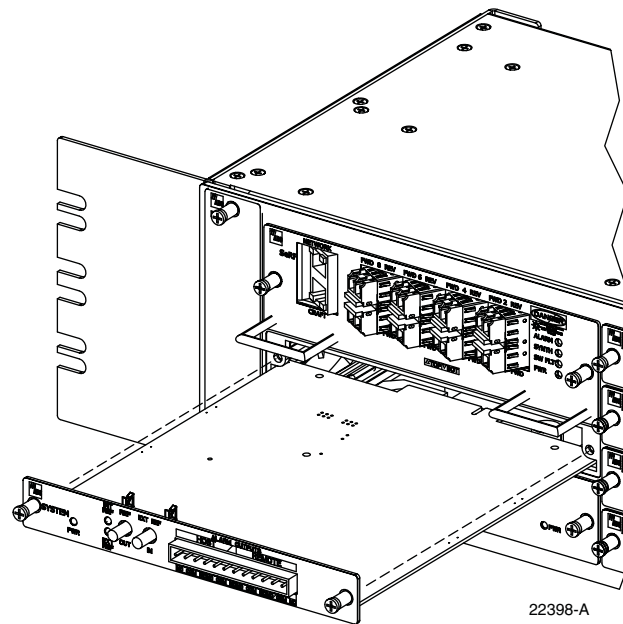


Figure 23. System Card Replacement

7.4 SeRF Card Replacement Procedure

Removing the SeRF Card will disable the Host Unit and interrupt service. Notify the NOC or alarm monitoring system operator that the system will be out of service for a period of time.

1. Before working on the HU or handling a SeRF Card, slip on an Electro-Static Discharge (ESD) wrist strap and connect the ground wire to an earth ground source. Wear the ESD wrist strap while completing each section of the fan installation procedure.



Warning: *Electronic components can be damaged by static electrical discharge. To prevent ESD damage, always wear an ESD wrist strap when working on the HU and when handling electronic components.*

2. Remove Network and Craft RJ-45 plugs from the front of the SeRF Card.



Danger: *This equipment uses a Class 1 Laser according to FDA/CDRH rules. Laser radiation can seriously damage the retina of the eye. Do not look into the ends of any optical fiber. Do not look directly into the optical transmitter of any unit or exposure to laser radiation may result. An optical power meter should be used to verify active fibers. A protective cap or hood **MUST** be immediately placed over any radiating transmitter or optical fiber connector to avoid the potential of dangerous amounts of radiation exposure. This practice also prevents dirt particles from entering the connector.*

3. Remove fiber pigtails from the SFP's. Note the location of the pigtails.



Caution: *Improper handling can damage fiber optic cables. Do not bend fiber optic cable more sharply than the minimum recommended bend radius specified by the cable manufacturer. Do not apply more pulling force to the cable than specified.*

4. Loosen the two thumb screws that secure the System Card to the front of the HU enclosure. See [Figure 24](#).

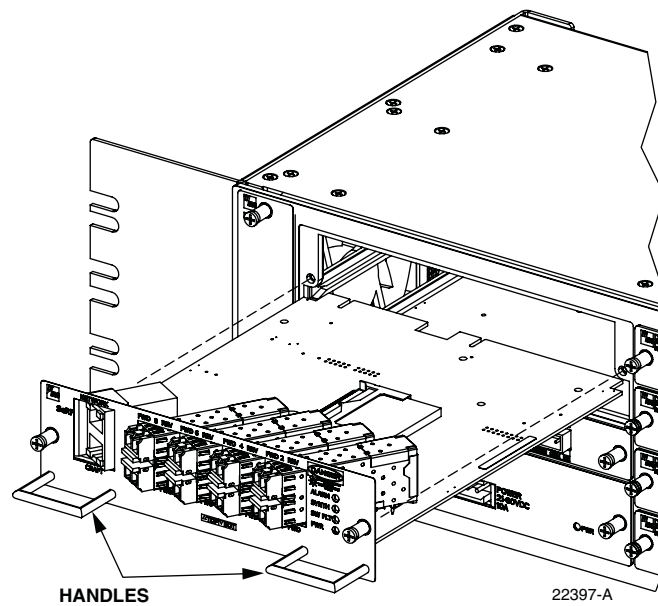


Figure 24. SeRF Card Replacement

5. Use the two handles to carefully withdraw the SeRF Card from the enclosure.
6. Slide replacement SeRF Card into the HU chassis until it is firmly seated.
7. Secure the SeRF Card to the front of the enclosure using the two thumb screws loosened in [Step 4](#).
8. If necessary install new SFP's or remove them from the SeRF card removed in [Step 5](#) and install them in the new SeRF Card.
9. Plug fiber pigtails back into the SFP's.

10. Plug Network and Craft RJ-45 plugs into the connector on the SeRF Card. Make certain the pigtailed are inserted in the correct SFP.
11. Notify the NOC or alarm monitoring system operator that the system is back in operation.

7.5 DART Card Replacement/Installation Procedure

Each DART Card provides an interface between the SeRF and the Power Amplifier they are spectrum specific. When additional service is needed another DART Card can be added to the HU and the corresponding cover added to a Remote Unit. Individual DART Cards may be replaced without disrupting service to the entire remote system. Only the RF spectrum of the DART Card being removed is affected. Refer to [Figure 25](#).

7.5.1 Replacement

1. Before working on the HU or handling a DART Card, slip on an Electro-Static Discharge (ESD) wrist strap and connect the ground wire to an earth ground source. Wear the ESD wrist strap while completing each section of the fan installation procedure.



Warning: *Electronic components can be damaged by static electrical discharge. To prevent ESD damage, always wear an ESD wrist strap when working on the HU and when handling electronic components.*

2. Notify the NOC or alarm monitoring system operator that the DART Card is being replaced.
3. Disconnect REF IN and OUT cables from the front of the DART Card.
4. Loosen the two thumb screws that secure the DART Card to the front of the HU enclosure.
5. Carefully withdraw the DART Card from the enclosure.
6. Slide replacement DART Card into the HU chassis until it is firmly seated.
7. Secure the DART Card to the front of the enclosure using the two thumb screws loosened in [Step 4](#).
8. Connect REF IN and OUT cables to the front of the DART Card.
9. Notify the NOC or alarm monitoring system operator that the system is back in operation.

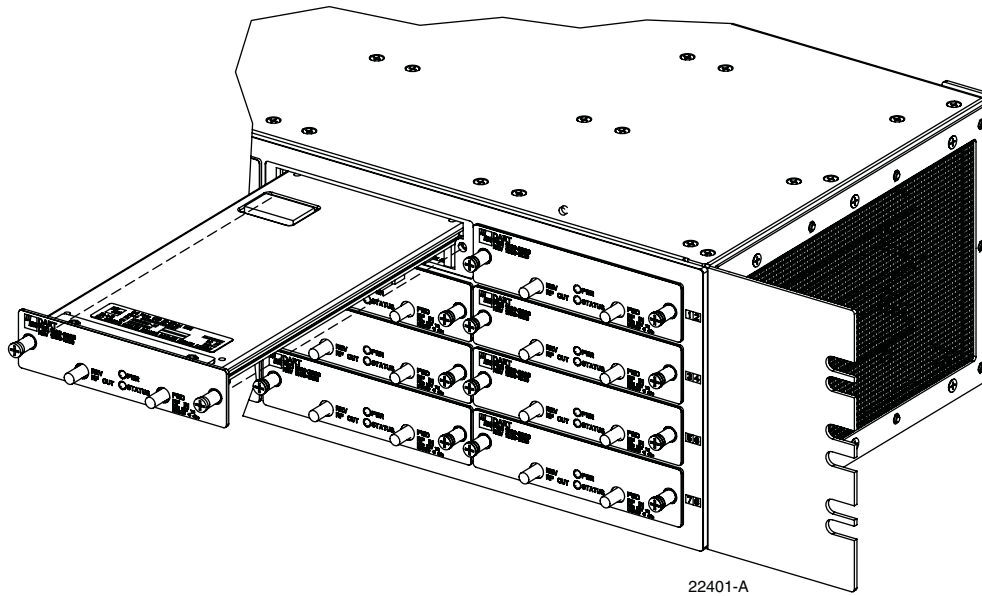


Figure 25. DART Card Replacement/Installation

7.5.2 Install New DART Card

1. Before working on the HU or handling a DART Card, slip on an Electro-Static Discharge (ESD) wrist strap and connect the ground wire to an earth ground source. Wear the ESD wrist strap while completing each section of the fan installation procedure.



Warning: *Electronic components can be damaged by static electrical discharge. To prevent ESD damage, always wear an ESD wrist strap when working on the HU and when handling electronic components.*

2. Notify the NOC or alarm monitoring system operator that another DART Card is being added the HU.
3. Determine slot location of the new DART Card. Remove blank panel from the front of the HU.
4. Slide DART Card into the HU chassis until it is firmly seated.
5. Secure the DART Card to the front of the enclosure using the two thumb screws.
6. Obtain the required lengths of high performance, flexible, low loss 50-ohm coaxial communications cable (RG-400 or equivalent) for all coaxial connections.
7. Route the forward and reverse path coaxial cables between the HU and the BTS interface (per system design plan) and cut to the required length. Allow sufficient slack for dressing and organizing cables at the HU and for installing an external attenuator in the forward path link.
8. Terminate each cable with an QMA-type male connector following the connector supplier's recommendations.
9. If required, install an external attenuator in the forward path.

- **Note:** The composite forward path RF signal level at the HU must be between **-25 and +5 dBm**. Do not connect the forward path cable until the composite forward path RF signal level is measured and the amount of external attenuation required is determined.
10. Connect the forward path cable to the **FWD RF IN** connector on the HU DART front panel as shown in [Figure 12](#).
 11. Connect the reverse path cable to the **REV RF OUT** connector on the HU DART front panel (see [Figure 12](#)).
 12. Dress and secure cables at the right side of the HU.
 13. Complete all remaining coaxial connections as specified in the system design plan.
 14. Notify the NOC or alarm monitoring system operator that the DART Card is in operation.

8 CUSTOMER INFORMATION AND ASSISTANCE



PHONE:

U.S.A. or CANADA

Sales: 1-800-366-3891
 Extension 73000
 Technical Assistance: 1-800-366-3891
 Connectivity Extension: 73475
 Wireless Extension: 73476

EUROPE

Sales Administration: +32-2-712-65 00
 Technical Assistance: +32-2-712-65 42

EUROPEAN TOLL FREE NUMBERS

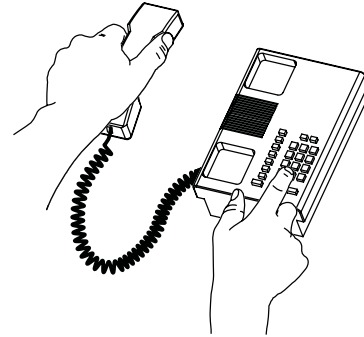
Germany: 0180 2232923
 UK: 0800 960236
 Spain: 900 983291
 France: 0800 914032
 Italy: 0800 782374

ASIA/PACIFIC

Sales Administration: +65-6294-9948
 Technical Assistance: +65-6393-0739

ELSEWHERE

Sales Administration: +1-952-917-3000
 Technical Assistance: +1-952-917-3475



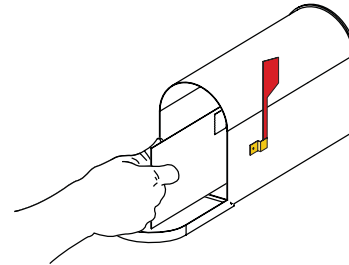
13944-Q

WRITE:

ADC Telecommunications (S'PORE) PTE, LTD;
100 Beach Road, #18-01, Shaw Towers.
Singapore 189702.

ADC Telecommunications, INC
PO Box 1101,
Minneapolis, MN 55440-1101, USA

ADC European Customer Service, INC
Belgicastraat 2,
1930 Zaventem, Belgium



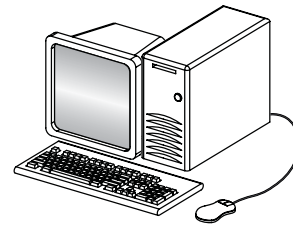
PRODUCT INFORMATION AND TECHNICAL ASSISTANCE:

connectivity.tac@adc.com

wireless.tac@adc.com

euro.tac@adc.com

asiapacific.tac@adc.com



REPRINTS:

PDF copies of manuals are available
 for downloading at the following link:

www.adc.com/manuals

ADCP Number: **75-348**

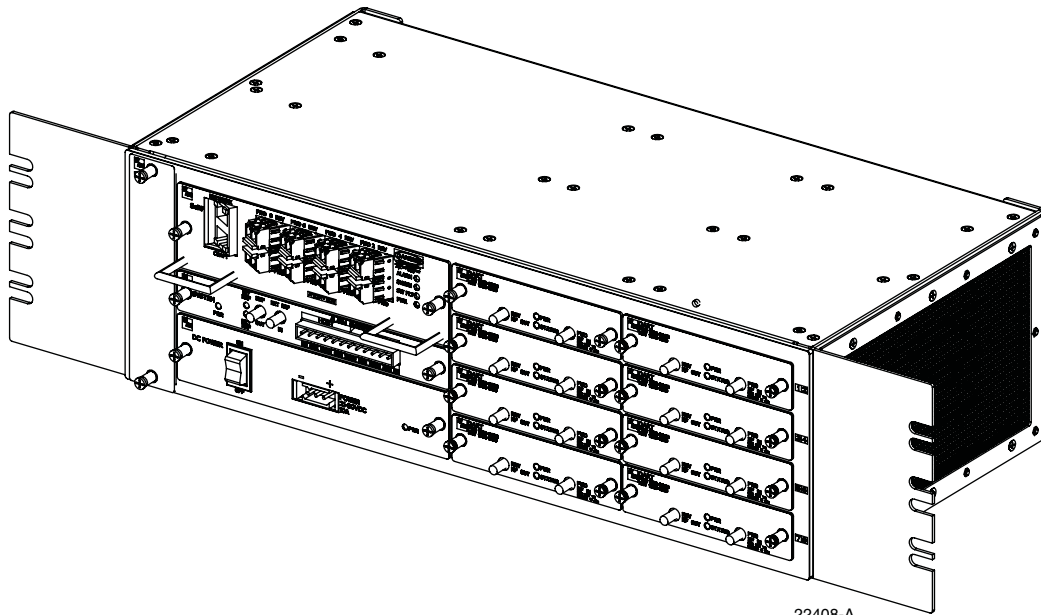
Contents herein are current as of the date of publication. ADC reserves the right to change the contents without prior notice. **In no event shall ADC be liable for any damages resulting from loss of data, loss of use, or loss of profits and ADC further disclaims any and all liability for indirect, incidental, special, consequential or other similar damages. This disclaimer of liability applies to all products, publications and services during and after the warranty period.**



ADC FlexWave™ Universal Radio Head (URH) Host Unit

Installation Instructions

ADCP-75-348 • Issue 1 • 04/2008



22408-A

COPYRIGHT

© 2008, ADC Telecommunications, Inc.
All Rights Reserved

REVISION HISTORY

ISSUE	DATE	REASON FOR CHANGE
1	04/2008	Original

TRADEMARK INFORMATION

ADC is a registered trademark of ADC Telecommunications, Inc., FlexWave is a trademark of ADC Telecommunications, Inc.

DISCLAIMER OF LIABILITY

Contents herein are current as of the date of publication. ADC reserves the right to change the contents without prior notice. **In no event shall ADC be liable for any damages resulting from loss of data, loss of use, or loss of profits and ADC further disclaims any and all liability for indirect, incidental, special, consequential or other similar damages. This disclaimer of liability applies to all products, publications and services during and after the warranty period.**

This publication may be verified at any time by contacting ADC's Technical Assistance Center at 1-800-366-3891, extension 73475 (in U.S.A. or Canada) or 952-917-3475 (outside U.S.A. and Canada), or by e-mail to connectivity_tac@adc.com.



ADC Telecommunications, Inc.
P.O. Box 1101, Minneapolis, Minnesota 55440-1101
In U.S.A. and Canada: 1-800-366-3891
Outside U.S.A. and Canada: (952) 938-8080
Fax: (952) 917-1717

TABLE OF CONTENTS

Content	Page
About This Manual	v
Related Publications	v
Admonishments	v
General Safety Precautions	v
STANDARDS CERTIFICATION	vi
List of Acronyms and Abbreviations	vii
1 GENERAL	1
2 INTRODUCTION	2
3 HOST UNIT DESCRIPTION	2
3.1 Mounting	3
3.2 SeRF Card	3
3.2.1 Network Interface Connection	3
3.2.2 Craft Interface Connection	4
3.2.3 Optical Interface	4
3.3 DART Card	4
3.3.1 RF Signal Connections	5
3.4 System Card	5
3.5 Power Supply	5
3.6 User Interface	5
4 HOST UNIT ACCESSORIES	7
4.1 Wavelength Division Multiplexer System	8
5 SPECIFICATIONS	9
6 INSTALLATION	9
6.1 Before Starting Installation	9
6.1.1 Tools and Materials	10
6.2 Unpacking and Inspection	10
6.3 OSP Fiber Cable Installation Guidelines	11
6.4 WDM Host Module Mounting Shelf and WDM Host Module Installation Procedure	12
6.5 HU Mounting Procedure	13
6.6 Chassis Ground Connection	15
6.7 Coaxial Cable Connections	16
6.8 Optical Connections	17
6.8.1 Optical Connections Without WDM System	18
6.8.2 Optical Connections For Systems With a WDM	19
6.9 EXT REF Connections	21
6.10 Computer Connection (CRAFT)	22
6.11 Network Connection	23
6.12 System Alarm System Connections	24
6.13 Power Connections	25
6.13.1 DC Power Connections	25
6.14 Installation Complete	27

TABLE OF CONTENTS

Content	Page
7 MAINTENANCE	27
7.1 Host Unit Fan Replacement Procedure	28
7.2 Power Supply Replacement Procedure	29
7.3 System Card Replacement Procedure	30
7.4 SeRF Card Replacement Procedure	31
7.5 DART Card Replacement/Installation Procedure	33
7.5.1 Replacement	33
7.5.2 Install New DART Card	34
8 CUSTOMER INFORMATION AND ASSISTANCE	36

ABOUT THIS MANUAL

This manual describes how to install and cable a URH Host chassis within a non-condensing indoor environment such as inside a wiring closet or an outdoor controlled environment cabinet.

RELATED PUBLICATIONS

Listed below are related manuals, their content, and their publication numbers. Copies of these publications can be ordered by contacting the Technical Assistance Center at 1-800-366-3891, extension 73476 (in U.S.A. or Canada) or 952-917-3476 (outside U.S.A. and Canada). All ADC technical publications are available for downloading from the ADC web site at www.adc.com.

Title/Description	ADCP Number
ADC FlexWave™ Universal Radio Head (URH) Remote Installation Instructions	78-347
ADC FlexWave™ Universal Radio Head (URH) System User Manual	75-349
ADC FlexWave™ Universal Radio Head (URH) System EMS User Manual	75-350
ADC FlexWave™ URH Remote Unit Mounting Kit Installation Instructions	75-351

ADMONISHMENTS

Important safety admonishments are used throughout this manual to warn of possible hazards to persons or equipment. An admonishment identifies a possible hazard and then explains what may happen if the hazard is not avoided. The admonishments — in the form of Dangers, Warnings, and Cautions — must be followed at all times.

These warnings are flagged by use of the triangular alert icon (seen below), and are listed in descending order of severity of injury or damage and likelihood of occurrence.



Danger: *Danger is used to indicate the presence of a hazard that **will** cause severe personal injury, death, or substantial property damage if the hazard is not avoided.*



Warning: *Warning is used to indicate the presence of a hazard that **can** cause severe personal injury, death, or substantial property damage if the hazard is not avoided.*



Caution: *Caution is used to indicate the presence of a hazard that **will** or **can** cause minor personal injury or property damage if the hazard is not avoided.*

GENERAL SAFETY PRECAUTIONS



Warning: *Wet conditions increase the potential for receiving an electrical shock when installing or using electrically-powered equipment. To prevent electrical shock, never install or use electrical equipment in a wet location or during a lightning storm.*



Danger: *This equipment uses a Class 1 Laser according to FDA/CDRH rules. Laser radiation can seriously damage the retina of the eye. Do not look into the ends of any optical fiber. Do not look directly into the optical transceiver of any digital unit or exposure to laser radiation may result. An optical power meter should be used to verify active fibers. A protective cap or hood MUST be immediately placed over any radiating transceiver or optical fiber connector to avoid the potential of dangerous amounts of radiation exposure. This practice also prevents dirt particles from entering the adapter or connector.*



Caution: *This system is a RF Transmitter and continuously emits RF energy. Maintain 3 foot (91.4 cm) minimum clearance from the antenna while the system is operating. Wherever possible, shut down the RAN before servicing the antenna.*



Caution: *Always allow sufficient fiber length to permit routing of patch cords and pigtails without severe bends. Fiber optic patch cords or pigtails may be permanently damaged if bent or curved to a radius of less than 2 inches (5.1 cm).*



Caution: *Exterior surfaces of the RU may be hot. Use caution during servicing.*

STANDARDS CERTIFICATION

FCC: This equipment complies with the applicable sections of Title 47 CFR Part 15 (Host unit), Part 22 (800 MHz Cellular), Part 24 (1900 MHz - PCS), and Part 90 (800/900 - SMR).

IC: This equipment complies with the applicable sections of RSS-131. The term “IC:” before the radio certification number only signifies that Industry Canada Technical Specifications were met.

The Manufacturer's rated output power of this equipment is for single carrier operation. For situations when multiple carrier signals are present, the rating would have to be reduced by 3.5 dB, especially where the output signal is re-radiated and can cause interference to adjacent band users. This power reduction is to be by means of input power or gain reduction and not by an attenuator at the output of the device.

Caution: Modifications not expressly approved by the party responsible for compliance could void the user's authority to operate the equipment.

Note: To comply with Maximum Permissible Exposure (MPE) requirements, the maximum composite output from the antenna cannot exceed 1000 Watts ERP (Cellular and SMR), the antenna cannot exceed 1640 Watts EIRP (PCS), and the antenna must be permanently installed in a fixed location that provides at least 6 meters (20 feet) of separation from all persons.

UL/CUL: This will be installed in a restricted access location. This equipment complies with NEMA Type 6, per UL and CUL 50, Standard for Enclosures for Electrical Equipment. This equipment provides the degree of protection specified by IP67 as defined in IEC Publication 529.

Conforms to ANSI/UL Std. 60950. Certified to CAN/CSA STD C22.2 No 60950

UL/CUL: This Host equipment complies with UL and CUL 60950 Standard for Safety for Information Technology Equipment, including Electrical Business Equipment.

FDA/CDRH: This equipment uses a Class 1 LASER according to FDA/CDRH Rules. This product conforms to all applicable standards of 21 CFR Part 1040.

LIST OF ACRONYMS AND ABBREVIATIONS

The acronyms and abbreviations used in this manual are detailed in the following list:

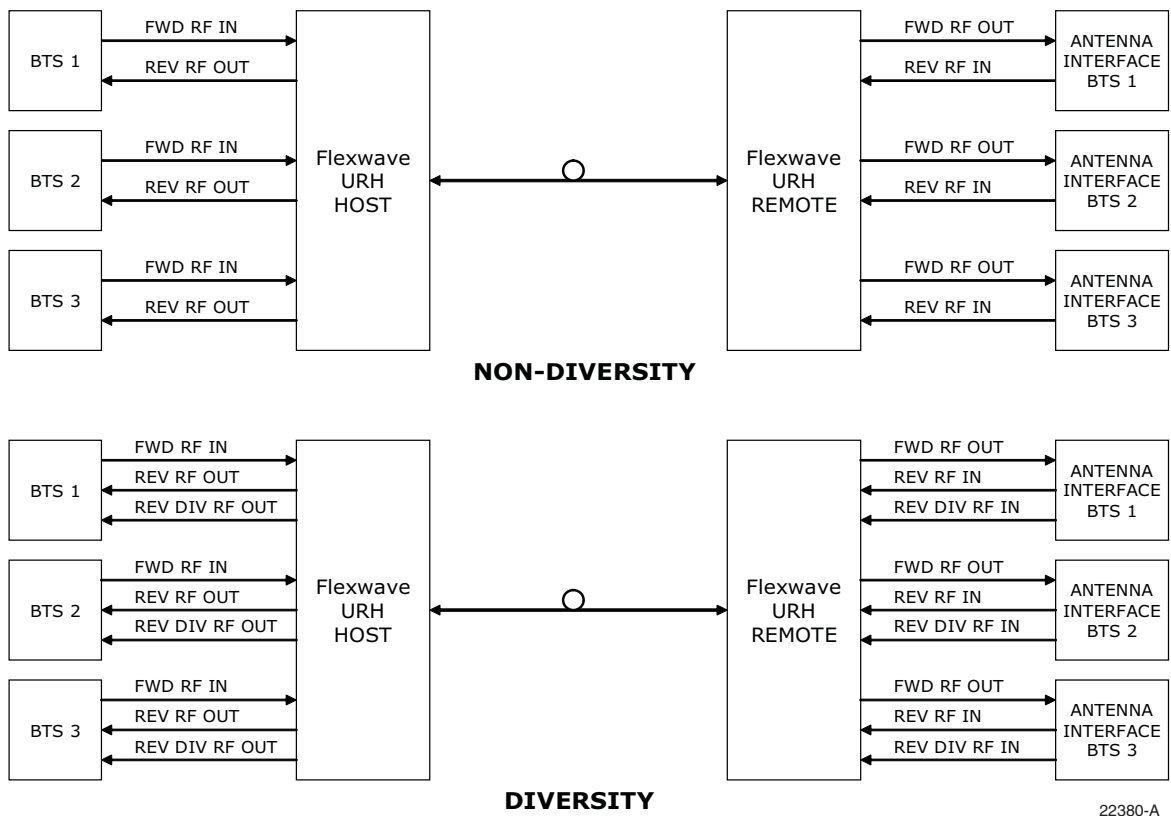
AC	Alternating Current
BTS	Base Transceiver Station
C	Centigrade
CM	Centimeter
CPU	Central Processing Unit
DART	Digital/Analog Radio Transceiver (DART board)
DAS	Distributed Antenna System
dB	decibel
dBc	The ratio (in dB) of the sideband power of a “signal” measured in a given bandwidth at a given frequency offset from the center frequency of the same signal, to the total inband power of the signal.
dB(FS)	decibals (Full Scale – digital reading)
dBm	decibels relative to 1mW
DC	Direct Current
Div	Diversity
EMS	Element Management System
ESD	Electrostatic Discharge
F	Fahrenheit
FCC	Federal Communications Commission
GPS	Global Positioning System
GUI	Graphical User Interface
HU	Host Unit
IC	Industry Canada
IF	Intermediate Frequency
IP	Internet Protocol
LED	Light Emitting Diode
LNA	Low Noise Amplifier
LPA	Linear Power Amplifier
LSE	Location Services Equipment
LVD	Low Voltage Disconnect
MUX	Multiplexer
OSP	Outside Plant
PA	Power Amplifier
PC	Personal Computer
PCI	Peripheral Component Interconnect bus
QMA	Quick disconnect version of Sub Miniature version A
RAN	Radio Access Node
RDI	Remote DART Interface (RDI board)
RF	Radio Frequency

RU	Remote Unit
SeRF	Serialized RF (SeRF board)
SFP	Small Form-Factor Pluggable Optical Transceiver
SMA	Subminiature version A; Small form factor coaxial connector
UL	Underwriters Laboratories
VAC	Volts Alternating Current
VDC	Volts Direct Current
VSWR	Voltage Standing Wave Ratio
WDM	Wave Division Multiplex
WSP	Wireless Service Provider

1 GENERAL

The FlexWave URH product family of products is intended as a “next generation” distributed antenna system (DAS). DAS products provide bidirectional transport of digitized RF spectrum. Each link consists of a host unit (providing the interface between the base station RF ports and the optical fiber) and at least one remote unit (providing the interface between the optical fiber and the remote antenna). The difference in this product is the high-speed digitalization of a wideband portion of spectrum, that allows for transport of RF signals over extended distances, without the RF degradation that normally results when analog systems are impacted by optical effects.

The basic function of the FlexWave URH platform is to transport via fiber optic cable RF signals from a Base Transceiver Station (BTS) to an antenna interface allowing communication to a mobile device. Multiple BTS communication paths are allowed over a single URH system. Diversity receive is supported. A block diagram of the system is shown in [Figure 1](#).



22380-A

Figure 1. FlexWave URH Block Diagram

The basic function of the FlexWave URH simulcast (point-to-point) platform is to transport, via fiber optic cable, RF signals from a Base Transceiver Station (BTS) to multiple antenna interfaces allowing communication to a mobile device. Up to 8 simulcast remotes are supported.

2 INTRODUCTION

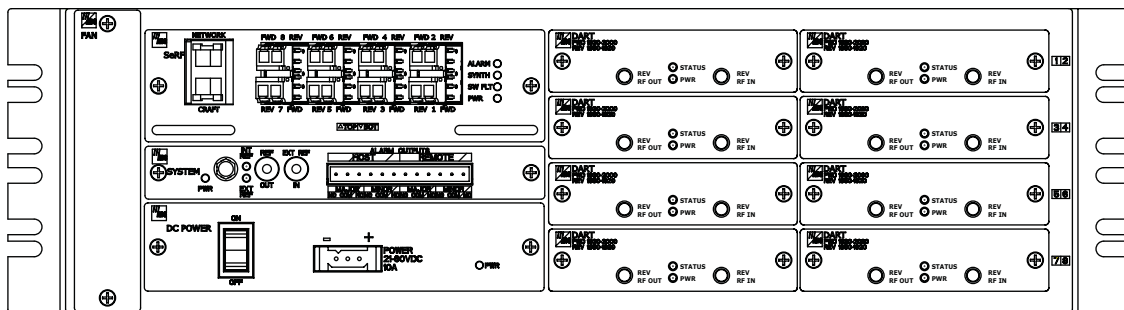
The front access URH Host Unit interfaces with the BTS and performs the analog to digital and electrical to optical conversions for transport to the URH Remote Units. A typical URH system consists of a Host Unit (HU) and a Remote Unit (RU).

The HU is designed for maximum RF flexibility to address Carriers changing and evolving spectrum needs, making the most use of cost efficient resources for serving multiple remotes such as simulcast architecture and sharing of common functions such as power, control and management over multiple host units. These features are designed into a compact package that reduces the amount of overall rack space required within a BTS Hotel. Each host chassis can support up to eight RUs.

The HU is a three rack-unit high single-unit assembly that mounts in a standard equipment rack. The RU consists of an outdoor enclosure that houses various electronic components. The RU is a modular self-contained enclosure. Together the HU and the RU together comprise an URH system. Various accessory items are also available for use with each system. All items referenced as “accessory items” are not furnished and must be purchased separately.

3 HOST UNIT DESCRIPTION

A front view of the HU, shown in Figure 2, consists of an electronic circuit board assembly and a fan assembly that are mounted within a powder-paint coated sheet metal enclosure. The enclosure provides a mounting point for the circuit board and fan assembly and controls RF emissions. Fan assembly can be replaced in the field. Host Unit may be upgraded once it is installed to support additional URH Remote Units. This can be performed without disrupting service.



22381-A

Figure 2. Front View Host Unit

The HU is designed for use within a non-condensing indoor environment such as inside a wiring closet or controlled environment cabinet. All controls, connectors, and indicators (except the grounding point) are mounted on the HU front panel. Current versions of the HU allow vertical cable guides to be installed over the mounting brackets on either side of the HU.

3.1 Mounting

The HU is intended for rack-mount applications. A pair of reversible mounting brackets is provided that allow the HU to be mounted in either a 19-inch or 23-inch EIA or WEKO equipment rack. When installed, the front panel of the HU is flush with the front of the rack. Screws are provided for securing the HU to the equipment rack.

3.2 SeRF Card

3.2.1 Network Interface Connection

SeRF front panel has an Ethernet port allowing interface communication with the internal processor and transfer of data to the optical protocol allowing IP transport between the HU and the remote(s). The network interface allows the HU to be controlled through a network.

Network interface connection between the HU and the network is supported by a RJ-45 jack 10/100Base-T (IEEE802.3 compliant) with integrated green ACTIVITY and LINK LEDs. The Ethernet port supports a maximum cable length of 100 meters (328 feet) to a hub or back-to-back nodes. CAT5 or better cable should be used when making this connection. The Ethernet connection should not be connected to an Ethernet circuit used outside the building.

1. The IEEE Specification for Ethernet 100BaseT requires that two twisted pairs be used and that one pair is connected to pins 1 and 2, and that the second pair is connected to pins 3 and 6.
2. Pinout information is shown in [Table 1](#). See [Figure 3](#) for RJ45 connector wiring information.

Table 1. 100BaseT Ethernet RJ45 Connector

PIN #	DESCRIPTION
1	TRD0+
2	TRD0-
3	TRD1+
4	TRD2+
5	TRD2-
6	TRD1-
7	TRD3-
8	TRD3+

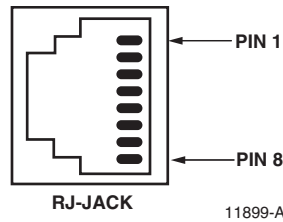


Figure 3. RJ45 Connector Wiring

3.2.2 Craft Interface Connection

SeRF front panel provides a craft port that can be used to provision remote units through the optical protocol supported by a single RJ-45 connector. *The Craft connector provides an Ethernet interface.*

Craft interface connection between the HU and the network is supported by a RJ-45 jack 10/100Base-T (IEEE802.3 compliant) with integrated green ACTIVITY and LINK LEDs. The Ethernet port supports a maximum cable length of 100 meters (328 feet) to a hub or back-to-back nodes. CAT5 or better cable should be used when making this connection.

1. The IEEE Specification for Ethernet 100BaseT requires that two twisted pairs be used and that one pair is connected to pins 1 and 2, and that the second pair is connected to pins 3 and 6.
2. Pinout information is shown in [Table 1](#). See [Figure 3](#) for RJ45 connector wiring information.

3.2.3 Optical Interface

Optical connections between the HU SeRF card and the RU are supported through Small Form-factor Pluggable (SFP) transceivers. The optical interfaces are standard single-mode duplex LC (flat polished UPC). There are 8 duplex optical interfaces, one for each simulcast remote.

3.3 DART Card

The host DART provides the interface between base station equipment and the SeRF. It is a band specific assembly and exists in the following versions:

- Cellular
- SMR 800
- SMR 900
- PCS

The following features and capabilities are available on the DART Card:

- Amplifies, down-converts, filters and digitizes from a 1.5MHz to 35MHz band of the incoming RF signal

- Converts incoming digital signal to analog, filters, amplifies and up-converts
- Provides bi-directional interface between parallel digital RF (to D/A and from A/D) and Serial RF (SeRF) to/from SeRF board
- Performs digital up/down conversion and adjustable delay processing
- Non-contiguous bands and receive diversity is implemented with multiple DART Cards

3.3.1 RF Signal Connections

The RF signal connections between the HU DART cards and the BTS are supported through two (FWD RF IN and REV RF OUT) QMA-Type female connectors. One connector is used for the forward path RF signal. The other connector is used for the reverse path RF signal. In some installations, it may be necessary to install a Conditioning Panel and/or Duplexing Panel (accessory items) to support the interface between the HU and the BTS. The HU should be as close as possible to the BTS to minimize cable losses.

3.4 System Card

The System Interface Card gives additional front panel space for the SeRF card. The System Card front panel also provides connections for alarm outputs, 10 MHz output, and status LEDs.

This card may be used to provide a 10 MHz clock reference to which the SeRF's Master clock is frequency locked from the internal crystal oscillator. When the internal clock is not used the clock can be obtained from an external 10 MHz input.

3.5 Power Supply

HU is powered by a modular DC to DC power supply located on the lower left side of the chassis. An On/Off switch is provided on the HU power supply module front panel.

HU is powered by ± 20 to ± 60 VDC power (nominal ± 24 or ± 48 VDC), power is fed to the HU through a connector located on the front of the module. Power to the HU must be supplied through a fuse panel (available separately). Each HU must be protected with a fuse.

3.6 User Interface

The HU user interface consists of the various connectors, switches, terminals, and LEDs that are provided on the HU front panel. The HU user interface points are indicated in [Figure 4](#) and described in [Table 2](#).

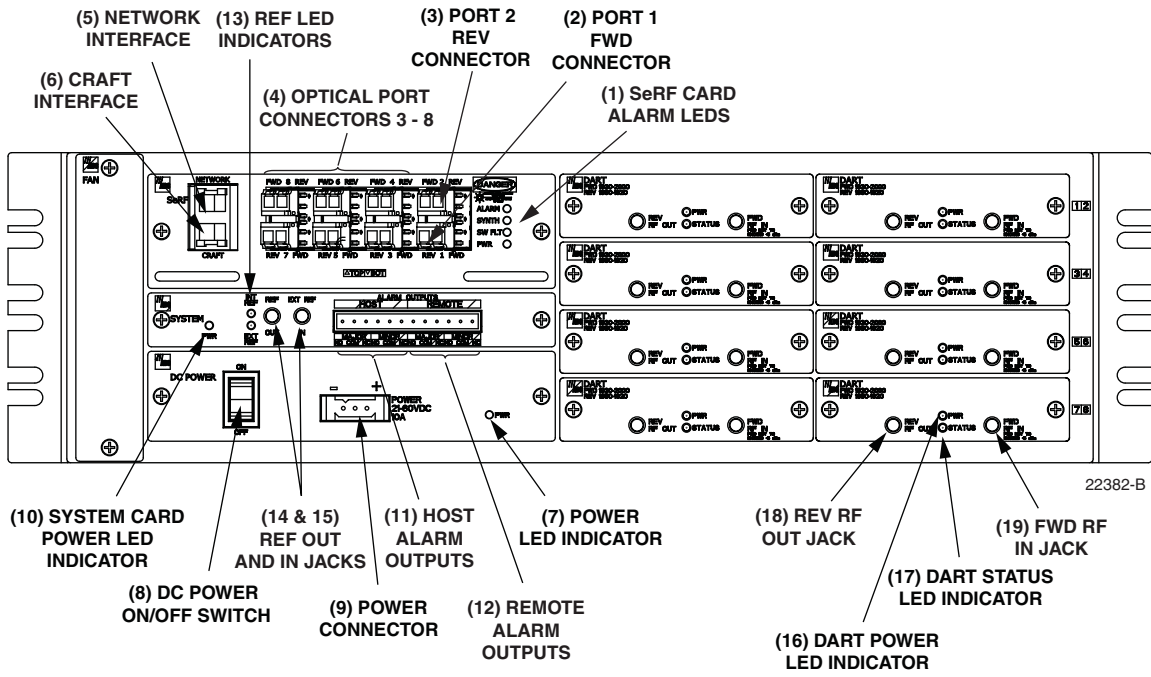


Figure 4. Host Unit User Interface

Table 2. Host Unit User Interface

REF NO	USER INTERFACE DESIGNATION	DEVICE	FUNCTIONAL DESCRIPTION
SeRF CARD			
1	SeRF Card LEDs		
	ALARM	GREEN RED	No alarms Alarms present
	SYNTH	GREEN RED	Locked Unlocked
	SW FLT	GREEN RED	Software operating OK Software fault present
	PWR	GREEN OFF	Power OK and operating properly No power present
2	PORT 1 or FWD	LC connector (single-mode)	Output connection point for the forward path optical fiber.
3	PORT 2 or REV	LC connector (single-mode)	Input connection point for the reverse path primary optical fiber.
4	PORT 3 –8	LC connector (single-mode)	Input/output connection points for the remaining optical fibers.
5	NETWORK	RJ-45 jack (female)	Connection point for the NETWORK interface input cable.
6	CRAFT	RJ-45 jack (female)	Connection point for the CRAFT interface input cable.

Table 2. Host Unit User Interface, continued

REF NO	USER INTERFACE DESIGNATION	DEVICE	FUNCTIONAL DESCRIPTION
POWER SUPPLY			
7	PWR (LED)	GREEN RED	DC Power Supply OK DC Power Supply Fault
8	ON/OFF	On/Off rocker switch	Provides HU power on/off control.
9	POWER 20–60 VDC	Three position connector	Connection point for the DC power wiring.
SYSTEM CARD			
10	PWR (LED)	GREEN RED	System Card Power Supply OK System Card Power Supply Fault
11	ALARM OUTPUTS HOST	Twelve position terminal block. Screw-type terminal connector (14–26 AWG)	Connection points for an major and minor dry alarm contacts. Includes normally open (NO), normally closed (NC), and common (COM) wiring connections.
12	ALARM OUTPUTS REMOTE		
13	INT REF (LED) EXT REF (LED)	GREEN OFF GREEN OFF	Internal 10 MHz reference selected as the as Reference Clock. Internal 10 MHz reference not selected. External 10 MHz reference selected as the as Reference Clock. External 10 MHz reference not selected
14	REF OUT	QMA-Type female RF coaxial connector	Ref Clock
15	EXT REF IN	QMA-Type female RF coaxial connector	Ref Clock
DART CARD			
16	PWR (LED)	GREEN OFF	Card is powered. No power present at card.
17	STATUS (LED)	GREEN RED YELLOW	OK Fault Unlocked
18	REV RF OUT	QMA-Type female RF coaxial connector	Output connection point for the primary reverse path RF coaxial cable.
19	FWD RF IN	QMA-Type female RF coaxial connector	Input connection point for the forward path RF coaxial cable.

4 HOST UNIT ACCESSORIES

This section provides a brief description of various accessory items that are available separately. The accessory items may or may not be required depending on the application.

4.1 Wavelength Division Multiplexer System

The Wavelength Division Multiplexer (WDM) system is an accessory product that is used when it is desirable or necessary to combine the forward and reverse path optical signals from one URH system onto a single optical fiber. Each WDM system consists of a host module and a remote module.

Both the host unit WDM module and the RU WDM module consist of a bi-directional wavelength division multiplexer. The host unit WDM module is mounted within a powder-paint coated sheet metal enclosure. A straight LC-type optical connector port is provided for connecting the forward/reverse path optical fiber to the WDM module. A pair of pigtail leads with LC-type connectors are provided for connecting the WDM module to the forward and reverse path optical ports on the HU SeRF card.

The WDM host module mounting shelf and host module are shown in [Figure 5](#). The WDM module is shown in [Figure 6](#).

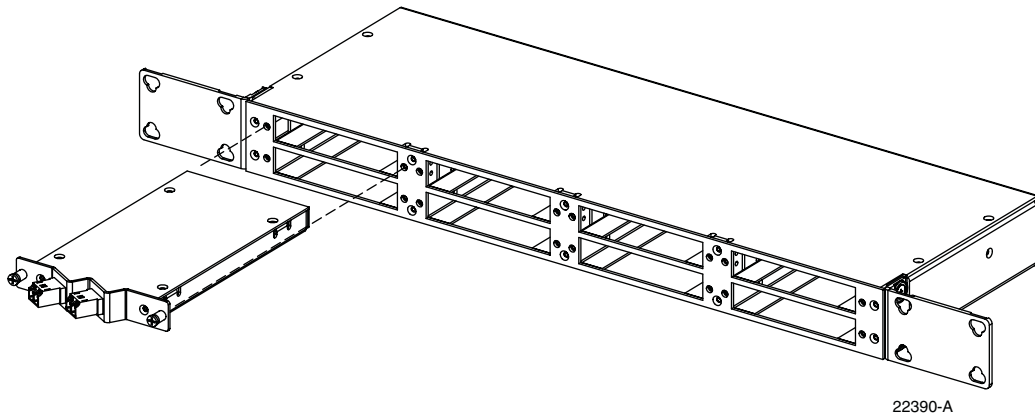


Figure 5. WDM Host Module and Host Module Mounting Shelf

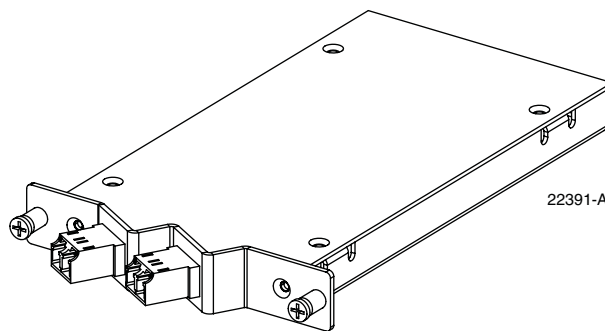


Figure 6. Host Unit WDM Module

5 SPECIFICATIONS

The specifications for the host unit are provided in [Table 3](#).

Table 3. Host Unit Nominal Specifications

PARAMETER	SPECIFICATION	REMARKS
Dimensions (H×W×D)	5.17 × 17.26 × 9.5 inches (131.3 × 438.4 × 241.3 mm)	Dimension for width does not include the mounting brackets which can be installed for either 19- or 23-inch racks.
Mounting	19- or 23-inch rack	EIA or WECO
Weight	20 lbs. (9.1 kg)	
Weather resistance	Indoor installation only	Environmentally controlled outdoor cabinet.
Operating temperature	0° to 55° C (32° to 131° F)	
Storage temperature	−40° to 70° C (−40° to 158°F)	
Humidity	10% to 90%	No condensation
Optical ports	SFP pluggable transceivers	LC (UPC)
Transceivers	Fujitsu FIM32151 or FIM32141	Available from ADC
External alarm connector	Screw-type terminals	NO, COM, and NC relay contacts
Voltage input		
DC Power	±20 – ±60 VDC	
Power consumption	320 Watts (Maximum)	202 Watts nominal
Current rating	4.2 Amps 7.2 Amps	At −48VDC At +28VDC
RF coaxial cable connectors	50 ohm QMA – type (female)	50 ohms input/output impedance
Network and Craft connectors	RJ-45 jack	
Reliability at 25°C	MTBF 100,000 hours	Including fans

6 INSTALLATION

This section provides the installation procedures for the HU and the WDM host module (accessory item). Installation of the RU components may proceed separately from installation of the HU.

6.1 Before Starting Installation

Before beginning the installation, review the system design plan with the system engineer. Make sure each equipment installation site is identified and located and all cable runs are mapped out. Also identify all tools and materials that are required to complete the installation.

6.1.1 Tools and Materials

The following tools are required to complete the procedures in this section:

- Box cutter
- Pencil or scribe
- Medium size flat-bladed screwdriver
- Phillips screwdriver (#2)
- Pliers
- Wire cutters
- Wire stripper
- Tool kit for attaching QMA-Type male connectors to coaxial cable
- Multimeter
- Optical power meter

The following materials are required to complete the procedures in this section:

- #18 AWG (1.0 mm) insulated stranded copper wire (for chassis grounding wire)
- #18 AWG (1.0 mm) red and black insulated copper wire (for DC power wires)
- Category 3 or 5 cable (for external alarm system wires)
- Category 5 cable with RJ45 connectors for the Network and Craft port
- #6 ring terminal (1) for #18 wire (for chassis ground wire connection)
- #6 fork terminals (2) for #18 wire (for DC power wiring connection)
- Single-mode patch cord(s) with LC connectors (1 – 8 depending on the application)
- High performance, flexible, low-loss 50-ohm coaxial cable
- QMA-type male connectors
- Wire ties

6.2 Unpacking and Inspection

This section provides instructions for opening the shipping boxes, verifying that all parts have been received, and verifying that no shipping damage has occurred. Use the following procedure to unpack and inspect the HU and any accessories:

Unpack and inspect the various components as follows:

1. Inspect the exterior of the shipping container(s) for evidence of rough handling that may have damaged the components in the container.
2. Unpack each container while carefully checking the contents for damage and verify with the packing slip.
3. If damage is found or parts are missing, file a claim with the commercial carrier and notify ADC Customer Service. Save the damaged cartons for inspection by the carrier.
4. Refer to [Section 8](#) if you need to contact ADC.
5. Save all shipping containers for use if the equipment requires shipment at a future date.

6.3 OSP Fiber Cable Installation Guidelines

The outside plant (OSP) fiber optic cables should be routed between the HU distribution panel and RU outside plant cabinet and terminated before the equipment is installed. A diagram of a typical OSP cable routing is shown in Figure 7. At the HU, the OSP cable should be terminated at a fiber distribution panel and spliced to pigtails. Jumper patch cords may then be used to link the HU optical ports to the OSP cable terminations. Whenever possible, a guideway such as the FiberGuide system should be provided to protect the fiber optic patch cords from damage and to prevent excessive bending. The procedures for connecting the OSP cable optical fibers to the HU is provided in Section 6.8.

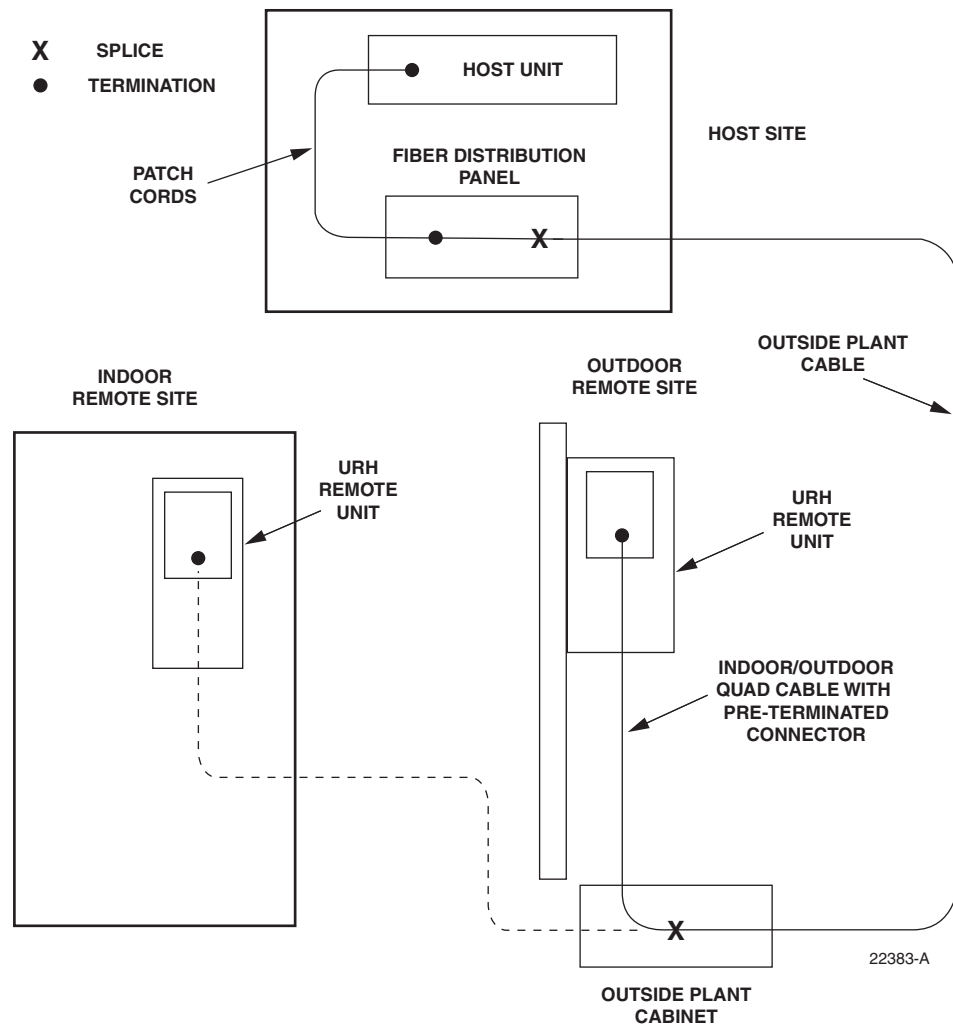


Figure 7. Typical Fiber Optic Cable Routing

6.4 WDM Host Module Mounting Shelf and WDM Host Module Installation Procedure

A bi-directional wavelength division multiplexer (WDM) system is available as an accessory item for the URH system. If the application does not require the use of a WDM system, skip this section and proceed to [Section 6.5](#).

The WDM host module mounting shelf installs in the equipment rack with the HU. Each host module mounting shelf can hold multiple modules and each host module can support two HU's.

When multiple HU's require connection to a WDM system, the host module mounting shelf and the HU's should be mounted in the equipment rack as shown in [Figure 8](#). This configuration allows the pigtail leads from the two host modules to be connected directly to the optical ports on any one of the four HU's.

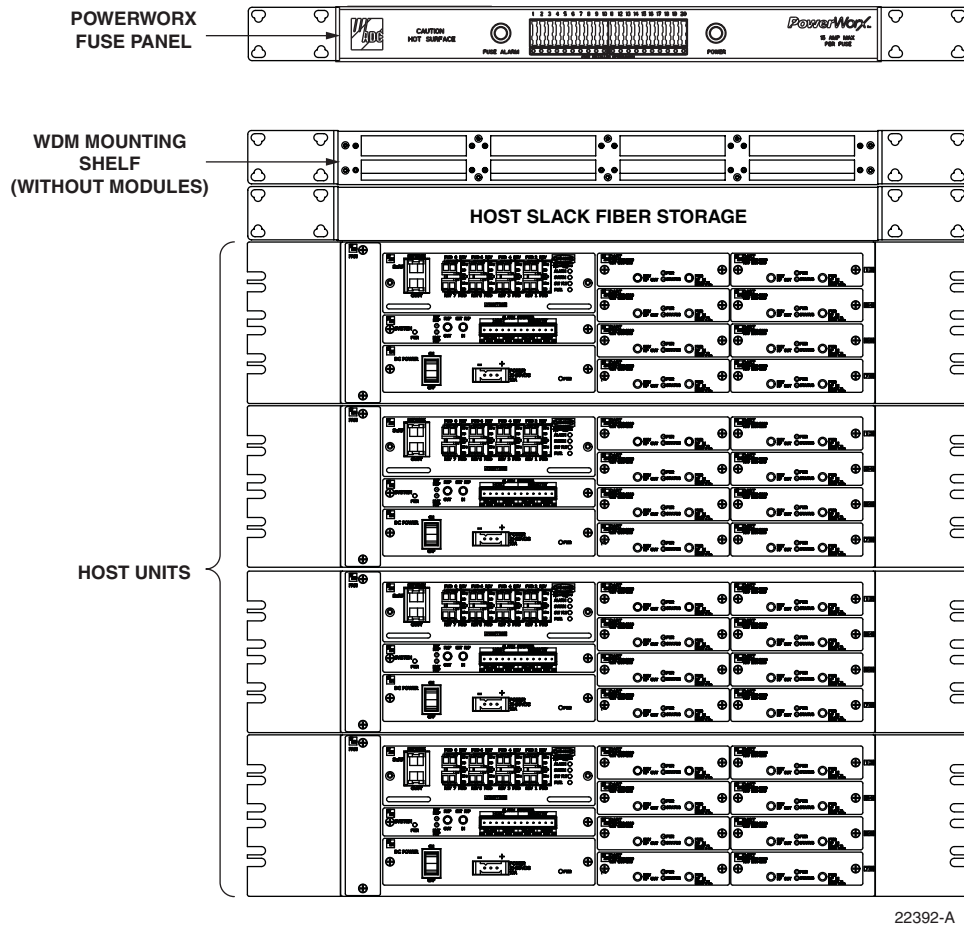


Figure 8. Typical WDM and HU Configuration

The WDM host module mounting shelf may be mounted in either a 19-inch or 23-inch EIA or WECO equipment rack. Four #12-24 screws are provided for securing the mounting shelf to the rack. Use the following procedure to install the WDM host module mounting shelf in the equipment rack and to mount the WDM modules in the WDM host module mounting shelf:

1. The WDM host module mounting shelf is shipped with the mounting brackets installed for 23-inch rack installations. If installing the mounting shelf in a 23-inch rack, proceed to [Step 4](#). If installing the mounting shelf in a 19-inch rack proceed to [Step 2](#).
2. Remove both mounting brackets from the mounting shelf (requires Phillips screwdriver) and save screws for reuse.
3. Reinstall both mounting brackets so the short side of the bracket is flush with the front panel as shown in as shown in [Figure 9](#). Use the screws removed in [Step 2](#) to attach the new brackets to the mounting shelf.

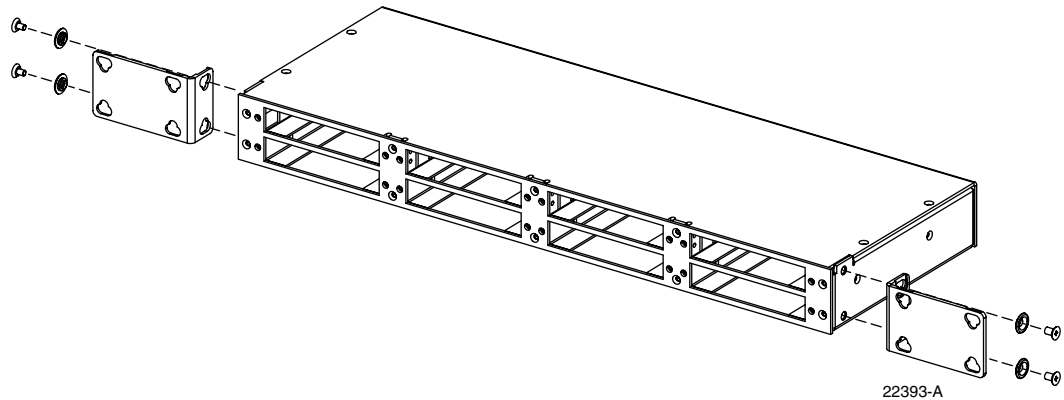


Figure 9. Installing the Replacement Mounting Brackets

4. Position the mounting shelf in the designated mounting space in the rack (per system design plan) and then secure the mounting brackets to the rack using the four #12-24 machine screws provided.
5. Install each WDM host module in the mounting shelf. A rail on the side of the module fits into a guide within the mounting.
6. Secure each host module to the mounting shelf by twisting the handle on each quarter-turn fastener 90°.
7. Carefully store the pigtail leads from each host module. The routing and connection procedures for the pigtails are provided in [Section 6.8](#).

6.5 HU Mounting Procedure

The HU may be mounted in either a 19-inch or 23-inch EIA or WECO equipment rack. Both US standard and metric machine screws are included for rack mounting the HU. When loading the HU in a rack, make sure the mechanical loading of the rack is even to avoid a hazardous condition such as a severely unbalanced rack. The rack should safely support the combined weight of all the equipment it holds. In addition, maximum recommended ambient temperature for the HU is 55° C (131° F). Allow sufficient air circulation or space between units when the HU is installed in a multi-rack assembly because the operating ambient temperature of the rack environment might be greater than room ambient.



Warning: Wet conditions increase the potential for receiving an electrical shock when installing or using electrically powered equipment. To prevent electrical shock, never install or use electrical equipment in a wet location or during a lightning storm.



Note: To insure that all optical connectors remain dust-free during installation, leave all dust caps and dust protectors in place until directed to remove them for connection.

Use the following procedure to install the HU in the equipment rack:

1. The HU is shipped with the mounting brackets installed for 19-inch rack installations. If mounting the HU in a 19-inch rack, proceed to [Step 4](#). If mounting the HU in a 23-inch rack, proceed to [Step 2](#).
2. Remove both mounting brackets from the HU (requires TORX screwdriver with T20 bit) and save screws (six-screws on each side) for reuse.
3. Reinstall both mounting brackets so the short side of the bracket is flush with the HU front panel as shown in [Figure 10](#). Use the screws removed in [Step 2](#) to re-attach the brackets to the HU chassis.

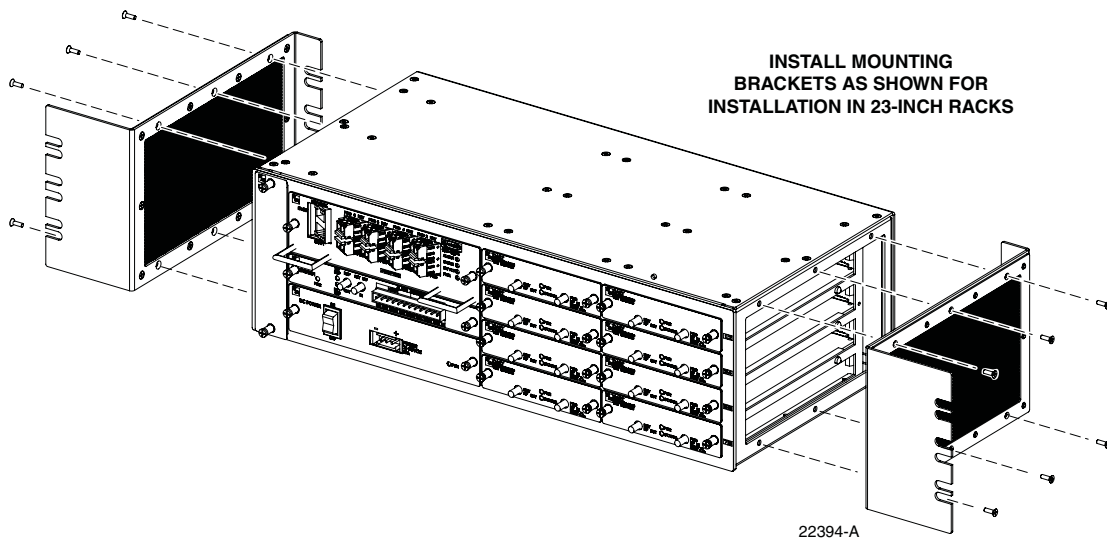


Figure 10. Installing the Mounting Brackets for 23-Inch Rack Installations

4. Position the HU in the designated mounting space in the rack (per system design plan) and then secure (but do not tighten) the HU to the rack using the four machine screws provided (use #12-24 or M6 x 10 screws, whichever is appropriate).



Note: Provide a minimum of 3 inches (76 mm) of clearance space on both the left and right sides of the HU for air intake and exhaust.

5. Locate two vertical cable guides, not provided with the HU.



Note: A vertical cable guide kit is available separately as an accessory.

6. Back out the HU mounting screws just enough to provide clearance for installation of the cable guides.
7. Slide each cable guide into position for installation and then securely tighten the corresponding mounting screws.

6.6 Chassis Ground Connection

A stud is provided on the rear side of the chassis for connecting a grounding wire to the chassis. Use the following procedure to connect the grounding wire to the chassis and to route the grounding wire to an approved earth ground source.

1. Obtain a length of #18 AWG (1.00 mm) insulated **stranded** copper wire for use as a chassis grounding wire.
2. Terminate one end of the wire with a ring terminal.
3. Locate the chassis ground stud at the rear of the HU as shown in [Figure 11](#).
4. Attach the ring end of the wire to the chassis ground stud (see [Figure 11](#)).

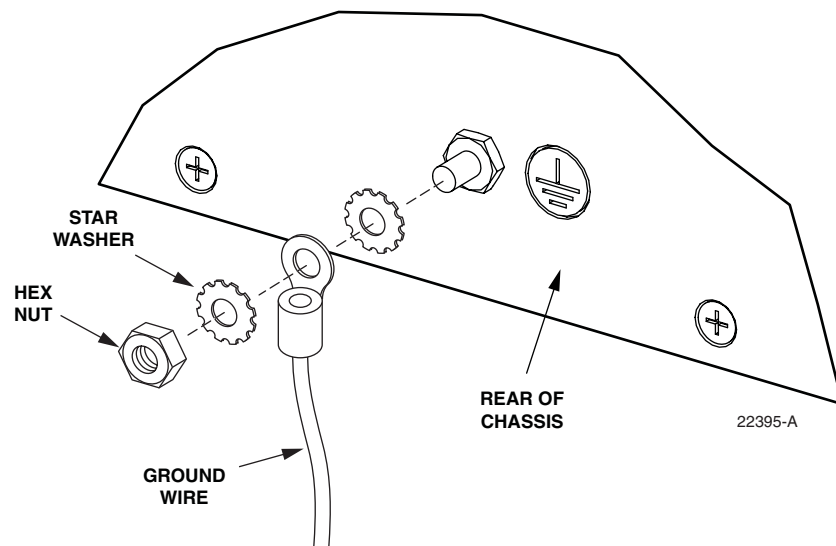


Figure 11. Chassis Ground Stud

5. Route the free end of the chassis grounding wire to an approved (per local code or practice) earth ground source.
 6. Cut the chassis grounding wire to length and connect it to the approved ground source as required by local code or practice.
- **Note:** Be sure to maintain reliable grounding. Pay particular attention to ground source connections.

6.7 Coaxial Cable Connections

The RF interface between the HU DART card and the EBTS/BTS is supported through two type QMA female connectors mounted on each DART front panel. One connector provides the coaxial cable connection for the forward path (downlink) signal and the other connector provides the coaxial cable connection for the reverse path (uplink) signal.

In most installations, it is usually necessary to insert an **external attenuator** into the forward path link between the HU and the BTS. A signal level that is greater than -9 dBm will overdrive and possibly damage the HU receiver. Before completing the forward path connection at the BTS, verify that the composite forward path RF signal level at the HU is between **-25 and $+5$ dBm**.

The HU should be mounted as close as possible to the EBTS/BTS to minimize cable losses. Use the following procedure to route and connect the forward and reverse path coaxial cables to the HU DART cards:

1. Obtain the required lengths of high performance, flexible, low loss 50-ohm coaxial communications cable (RG-400 or equivalent) for all coaxial connections.
2. Route the forward and reverse path coaxial cables between the HU and the BTS interface (per system design plan) and cut to the required length. Allow sufficient slack for dressing and organizing cables at the HU and for installing an external attenuator in the forward path link.
3. Terminate each cable with an QMA-Type male connector following the connector supplier's recommendations.
4. If required, install an external attenuator in the forward path.

► **Note:** The composite forward path RF signal level at the HU must be between **-25 and $+5$ dBm**. Do not connect the forward path cable until the composite forward path RF signal level is measured and the amount of external attenuation required is determined.

5. Connect the forward path cable to the **FWD RF IN** connector on the HU DART front panel as shown in [Figure 12](#).
6. Connect the reverse path cable to the **REV RF OUT** connector on the HU DART front panel (see [Figure 12](#)).
7. Repeat this procedure for the remaining DART cards in the HU.
8. Dress and secure cables at the right side of the HU.
9. Complete all remaining coaxial connections as specified in the system design plan.

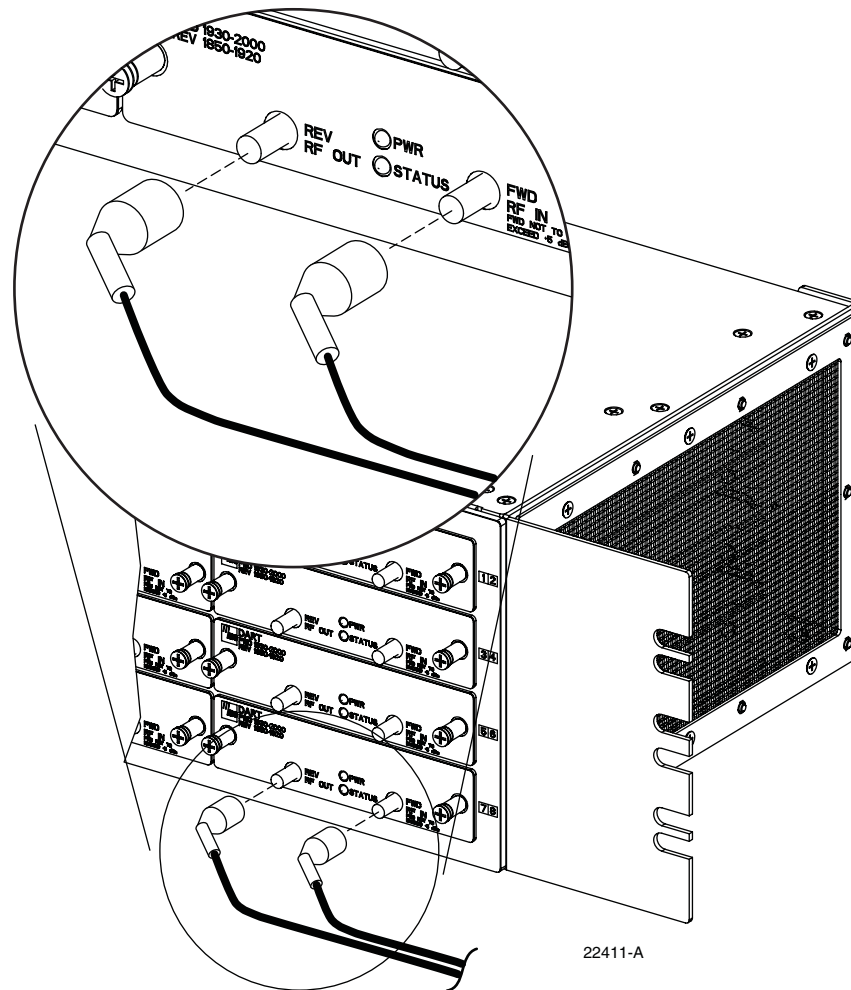


Figure 12. Forward and Reverse Path Coaxial Cable Connections

6.8 Optical Connections

The optical interface between the HU and the RU is supported by optical ports. Each optical port consists of an SFP with LC optical transceivers mounted on the SeRF card front panel. Each **FWD** port provides an optical connection for the forward path (downlink) signal. Each **REV** port provide an optical connection for the reverse path (uplink) signal. Each **REV** port can also provide the optical connection for the diversity reverse path (uplink) signal.

The optical connections are dependent on whether or not a WDM host module (accessory) is installed:

- If the installation **does not** include a WDM module, proceed to [Section 6.8.1](#) for the optical connections procedure.
- If the installation **includes** a WDM module, proceed to [Section 6.8.2](#) for the optical connections procedure.