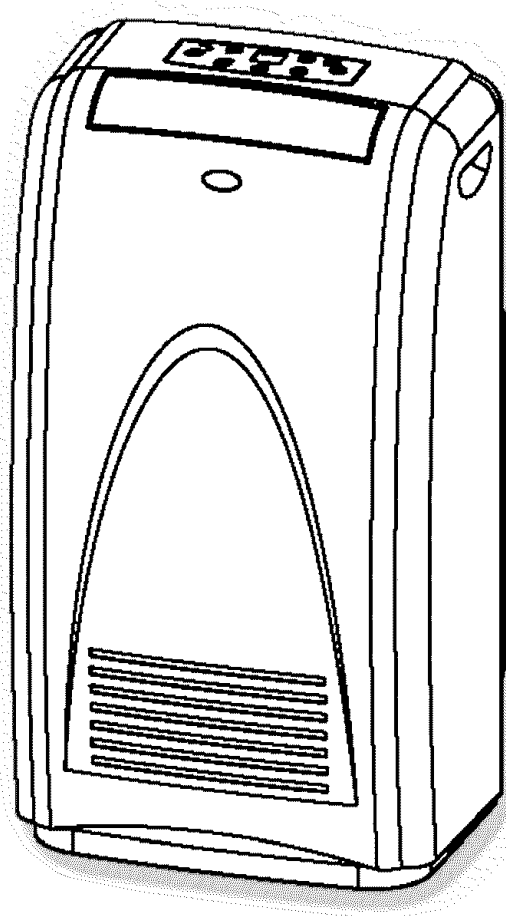


Admiral®

PORTABLE AIR CONDITIONER

Use and Care Manual



Thank you for purchasing an **Admiral®** Portable Air Conditioner. Please read this "Use and Care Manual" carefully before installing and using this appliance. Keep this manual for future reference.

For Service Call 1 877 465 3566

TABLE OF CONTENTS

	Page
Introduction	1
Air Conditioning Safety	2-3
Identification of Parts	
Identification of Parts	4
Control Panel	5
Remote Controller	6-7
Installation Instructions	
Accessories and Window Kit Installation	8
Select the Installation Locations	9
Operation Instructions	
Notes	10
Operation Instructions	11
Cooling and Dry	12
Smart	13
Timer	14
Heater and Super	15
Protection	16
Maintenance	17
Troubleshooting	18
Warranty	19

INTRODUCTION

Thank you for choosing the portable air conditioner to provide you and your family with all of the “Home Comfort” requirements for your home, cottage, or office. The appliance can be moved from room to room within your home and set-up in just minutes.

It is a multi-functional room air exchanging, air-processing appliance, designed to offer you the functions of: Air Conditioning, Dehumidifying, Heating (for heating model only) and Independent Fan.

This manual will provide you with valuable information necessary for the proper care and maintenance for your new appliance. Please take a few moments and read the instructions thoroughly. If properly maintained, your appliance will give you many years of trouble-free operation.

ELECTRICAL SPECIFICATIONS

1. All wiring must comply with local and national electrical codes and be installed by a qualified electrician. If you have any questions regarding the following instruction, contact a qualified electrician.
2. Check available power supply and resolve any wiring problems before installation and operation of this unit.
3. For your safety and protection, this unit is grounded through the power cord plug when plugged into a matching wall outlet. If you are not sure whether the wall outlets in your home are properly grounded, please consult a qualified electrician. Do not use plug adapters or extension cords with this unit. If it is necessary to use an extension cord, use only with a heavy appliance extension cord (available at most local hardware stores).

AIR CONDITIONER SAFETY

Your safety and the safety of others are very important.

We have provided many important safety messages in this manual and on your appliance. Always read and obey all safety messages.



This is the SAFETY ALERT SYMBOL.

This symbol alerts you to potential hazards that can kill or hurt you and others.

All safety messages will follow the safety alert symbol and either the word "DANGER" or "WARNING." These words mean:

! DANGER

You can be killed or seriously injured if you don't immediately follow instructions.

! WARNING

You can be killed or seriously injured if you don't follow instructions.

All safety messages will tell you what the potential hazard is, tell you how to reduce the chance of injury, and tell you what can happen if the instructions are not followed.

IMPORTANT SAFETY INSTRUCTIONS

WARNING: To reduce the risk of fire, electrical shock, or injury when using your air conditioner, follow these basic precautions:

- Plug into a grounded 3-prong outlet.
- Do not use an extension cord.
- Do not remove ground prong.
- Unplug air conditioning before servicing.
- Do not use an adapter.
- Use two or more people to move and install air conditioner.

— SAVE THESE INSTRUCTIONS —

INSTALLATION REQUIREMENTS

- The portable air conditioner should be connected to a 115 V, 60 Hz, 15- or 20-amp fused 3-prong grounded outlet.
- The use of a time-delay fuse or time-delay circuit breaker is recommended.
- All wiring must comply with local and national electrical codes and be installed by a qualified electrician. If you have any questions, contact a qualified electrician.

Electrical Requirements

! WARNING

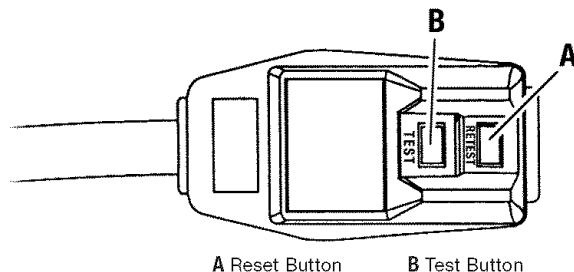


ELECTRIC SHOCK HAZARD

- Plug into a grounded 3-prong outlet.
- **Do not** remove ground prong.
- **Do not** use an adapter.
- **Do not** use an extension cord.
- **Do not** store flammable materials near the unit.
- **Failure to follow these instructions can result in death, fire, or electrical shock.**

Power Supply Cord

NOTE: Your unit's device may differ from the one shown.



A Reset Button

B Test Button

This room air conditioner is equipped with a power supply cord required by UL. This power supply cord contains state-of-the-art electronics that sense leakage current. If the cord is crushed, the electronics detect leakage current and power will be disconnected in a fraction of a second.

To test your power supply cord:

1. Plug power supply cord into a grounded 3-prong outlet.
2. Press RESET.
3. Press TEST (listen for click; Reset button will trip and pop out).
4. Press and release RESET (listen for click; Reset button will latch and remain in). The power supply cord is ready for operation.

NOTES:

- The Reset button must be pushed in for proper operation.
- The power supply cord must be replaced if it fails to trip when the test button is pressed or fails to rest.
- Do not use the power supply cord as an off/on switch. The power supply cord is designed as a protective device.
- A damaged power supply cord must be replaced with a new power supply cord obtained from the product manufacturer and must not be repaired.
- The power supply cord contains no use serviceable parts. Opening the tamper-resistant case voids all warranty and performance claims.

INSTALLATION INSTRUCTIONS

Unpack the Air Conditioner

! WARNING

EXCESSIVE WEIGHT HAZARD

Use two or more people to move and install air conditioner.

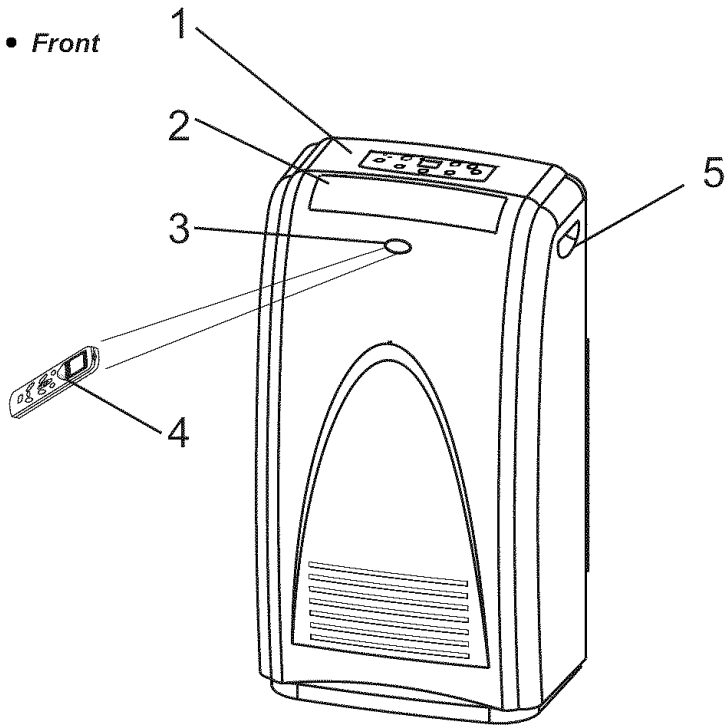
Failure to do so can result in back or other injury.

Remove packaging materials

- Remove and properly dispose of packaging materials. Remove tape and glue residue from surfaces before turning on the air conditioner. Rub a small amount of liquid dish soap over the adhesive with your fingers. Wipe with warm water and dry.
- Do not use sharp instruments, rubbing alcohol, flammable fluids, or abrasive cleaners to remove tape or glue. These products can damage the surface of your air conditioner.
- Handle air conditioner with care.

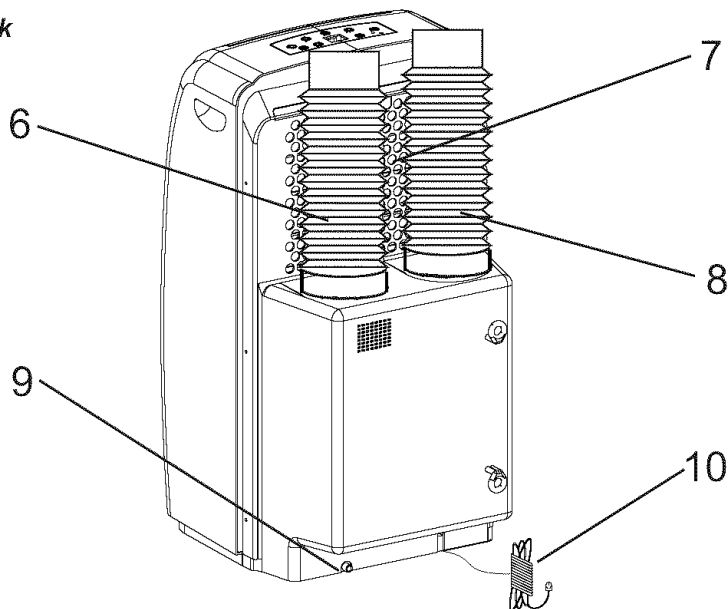
IDENTIFICATION OF PARTS

• *Front*



- ① Control panel
- ② Cold air outlet
- ③ Signal receptor
- ④ Remote controller
- ⑤ Transport handle
- ⑥ Air outlet hose
- ⑦ Evaporator air intake
- ⑧ Air intake hose
- ⑨ Drain port
- ⑩ Power supply

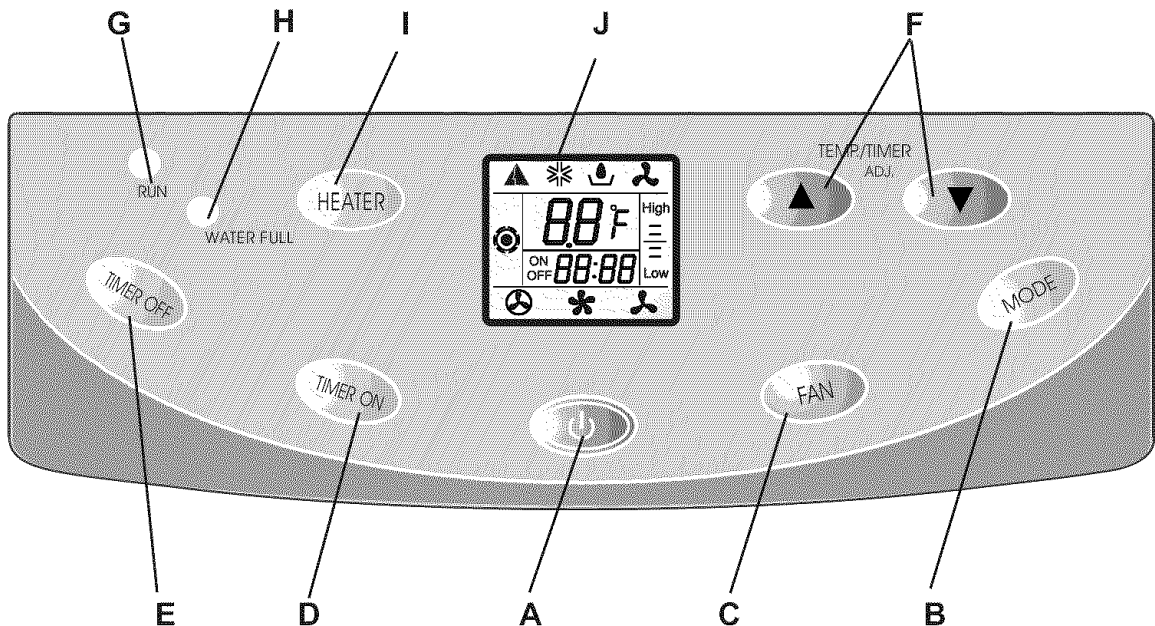
• *Back*



! The figures in this manual are based on the external view of a standard model. Consequently, the shape may differ from that of the air conditioner you have selected.

IDENTIFICATION OF PARTS

CONTROL PANELS

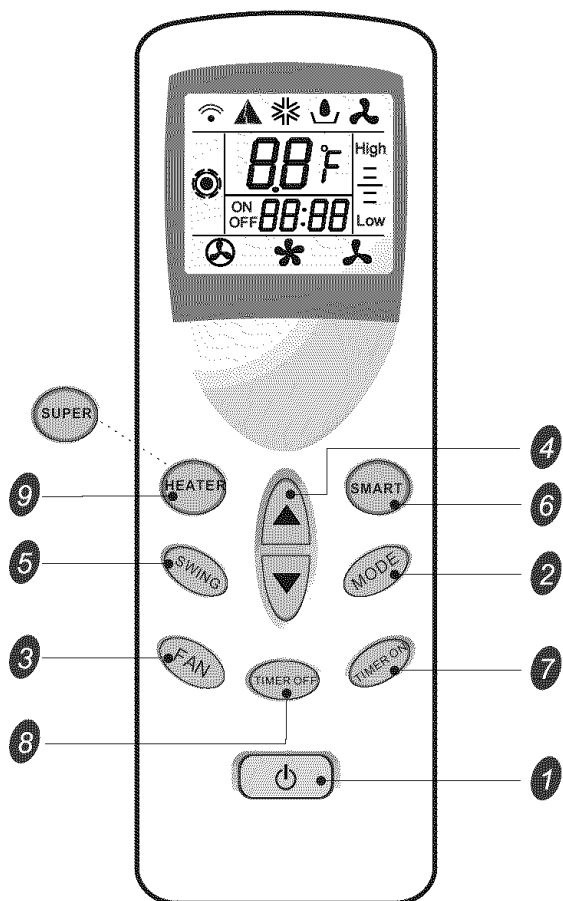


- A** ON/OFF button: to start or stop the appliance
- B** MODE button: to select the operation mode
- C** FAN button: to select fan speed
- D** TIMER ON button: to set or cancel the timer on operation
- E** TIMER OFF button: to set or cancel the timer off operation
- F** TEMP./TIMER setting button: to adjust the real time or set time
- G** RUN indicator(green): it lights all the time when the appliance is running
- H** WATER FULL indicator(red): it lights when water is full
- I** Electrical heater button(Not available for cooling only model): to heat the room
- J** LCD display: It is exactly the same as LCD display on remote controller except temperature display.

88°F Display room temperature
 Display set temperature with flashing

REMOTE CONTROLLER

The remote controller transmits signals to the system.



- 1 ON/OFF BUTTON**
The appliance will be started when it is energized or will be stopped when it is in operation, if you press this button.
- 2 MODE BUTTON**
Used to select the operation mode.
- 3 FAN BUTTON**
Used to select fan speed in sequence auto, high, or low.
- 4 ROOM TEMPERATURE SETTING BUTTONS**
Used to select the room temperature.
Used to adjust the real time or set time.
- 5 SWING BUTTON**
Used to adjust the direction of air flow.
- 6 SMART BUTTON**
Used to enter fuzzy logic operation directly, regardless of the unit is on or off.
- 7 TIMER ON BUTTON**
Used to set or cancel the timer on operation.
- 8 TIMER OFF BUTTON**
Used to set or cancel the timer off operation.
- 9 HEATER BUTTON (For electrical heating model)**
Used to select or cancel electrical heating mode.
- SUPER BUTTON(For cooling model)**
Used to start or stop the fast cooling.

Indication symbols on LCD:

- | | | | | | |
|--|--------------------|--|-------------------------|-------------|--|
| | Signal transmit. | | Auto fan speed | High | Used to regulate temperature in Smart mode or Dry mode (See page 9 "Smart Mode" for details) |
| | Smart indicator | | High fan speed | | |
| | Cooling indicator | | Low fan speed | Low | |
| | Dry indicator | | Display set temperature | ON | Indicator of Timer on and Timer off |
| | Fan only indicator | | | OFF | |

- Note:1.** Each mode and relevant function will be further specified in following pages.
2. All functions can be realized in control panel except three buttons: SUPER, SMART and SWING.
3. If the ▲ ▼ Buttons are pressed at the same time, the temperature LED display will alternate between and .

REMOTE CONTROLLER

- **How to Insert the Batteries**

Remove the battery cover according to the arrow direction. Insert new batteries making sure that the (+) and (-) of battery are matched correctly.

Reattach the cover by sliding it back into position.

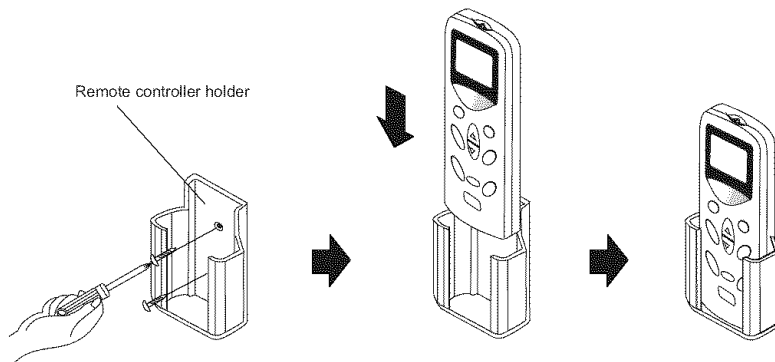
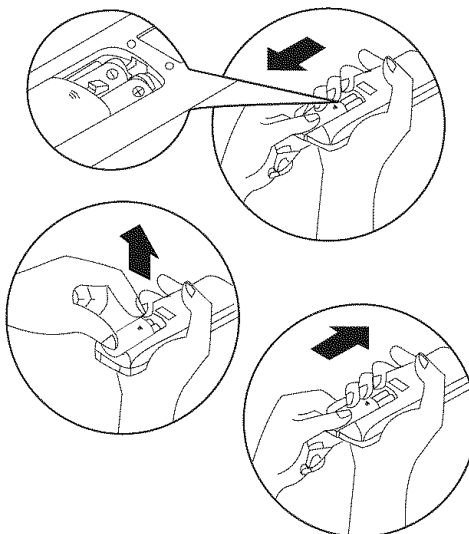
Note:

- Use 2 LR03 AAA(1.5volt) batteries. Do not use rechargeable batteries. Replace batteries with new ones of the same type when the display becomes dim.

- **Storage and Tips for Using the Remote Controller**

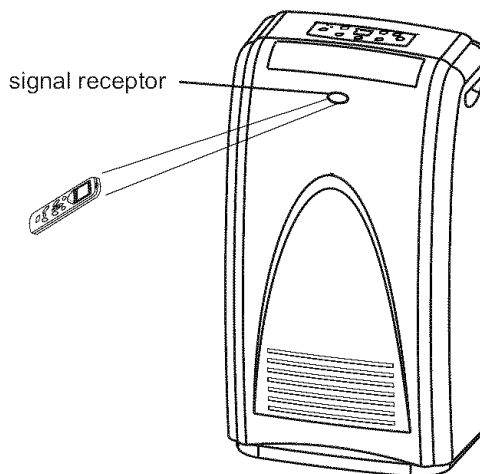
The remote controller may be stored mounted on a wall with a holder.

Note: The remote controller holder is an optional part.



- **How to Use**

To operate the air conditioner, aim the remote controller at the remote controller receiver window. The remote control will operate the air conditioner at a distance of up to 7m (23') when pointing at remote control receiver window of the air conditioner.

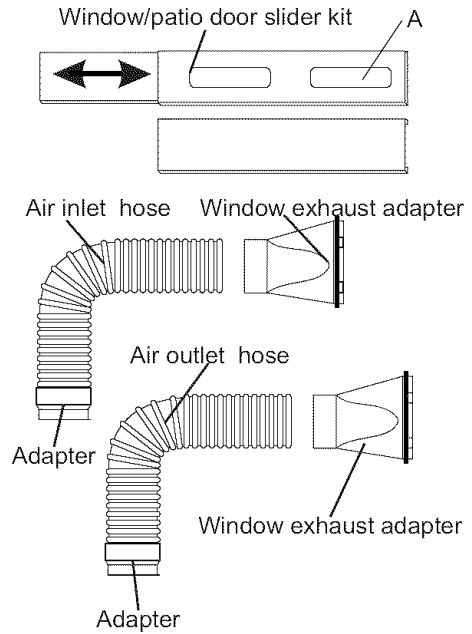


INSTALLATION

Installation accessories

Description	Quantity
Air inlet hose	1/set
stretches from 17 3/4"(45cm) up to 70 5/8"(180cm)	
Air outlet hose	1/set
stretches from 17 3/4"(45cm) up to 70 5/8"(180cm)	
Window exhaust adapter	2/set
Adapter	2/set
Window/patio door slider kit	3/set
from 28 3/8"(72cm) up to 55 5/8"(140cm)	

Note: Air outlet hose should be mounted on right or left hand side.



Window kit installation

Your window kit has been designed to fit most standard vertical and horizontal window applications. However, it may be necessary for you to improvise/modify some aspects of the installation procedures for certain types of windows. Please refer to Figures 1 & 2 below for minimum and maximum window openings.

Note: Window kit is just available for some models.

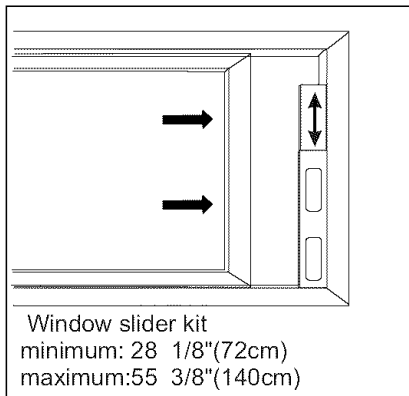


FIGURE 1

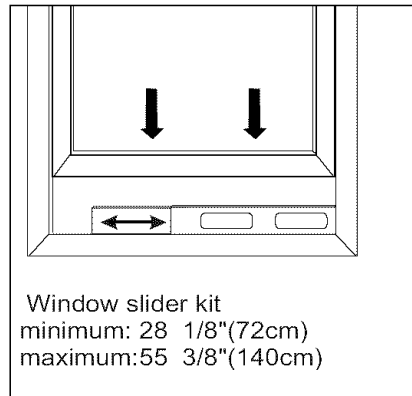


FIGURE 2

INSTALLATION INSTRUCTIONS

► SELECT THE BEST LOCATION

- Beside a window, a door, or a sliding door.
- Keep the required distance from the return air outlet to the wall or other obstacles at least 50cm, (19.5")
- Fix one end of the air hose on the air intake or outlet underside the appliance.
- Extend the air hose to insure other end of the air hose has clearance between the window, door, sliding door, or wall hole.
- Air outlet or intake cannot be blocked by protective grid or any obstacle.
- The distance between the two ends of the air hose should be kept at 200mm minimum. (8")

Note: the cooling capacity will decrease when using a single air hose, but air outlet temperature gets lower, and a particular point in the room will cool faster.

► INSTALLATION INSTRUCTION

- Air outlet or intake indoor side cannot be blocked by a curtain, or any obstacle.
- The end of the air hose cannot be blocked by a shutter or any obstacle.
- Do not bend the air hose when assembling, keep it straight as in figure 3.
- When appliance is in cool or dry mode, condensation will concentrate in water box of chassis— when the box is full, water full indicator shows on red, LCD window appears the wrong sign E. The appliance stops running at the same time. Now the power supply should be shut off. Next, pull out the rubber plug in the drain port of the appliance, drain the water into a prepared container, or drain the water by moving the appliance to a suitable place.

Note: water should be drained out when the water full light on, otherwise, the appliance will not work when you start it again .

► INSTALLATION SEQUENCE

Before starting this unit

1. Select a suitable location, making sure you have easy access to an electrical outlet.
2. Install the flexible exhaust hose and adjustable window slider kit as depicted in Fig.1.

Note: 1. Step 2 is required only while using cooling or dry mode, in cooling mode you can select to install two hoses or air outlet hoses only, in dry mode you may install air outlet hose only.

2. While running or installing, the hoses cannot be blocked by curtains or any obstacle.

3. Plug the appliance into a grounded electrical outlet. Please select an appropriate power supply .
4. To turn the appliance on, press On/Off button.

Note: Do not use a regular extension cord. If it is necessary to use an extension cord with this unit, use an approved "air conditioner" extension cord only. (Available at most local hardware stores)

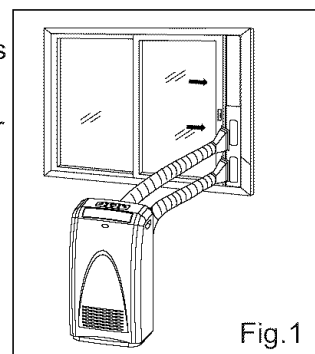


Fig.1

INSTALLATION INSTRUCTIONS

► NOTES

- Please read this manual before installing and using the portable air conditioner
- Test run the air conditioner after finishing installation, and record details of operation.
- Type of fuse used on the Control Circuit is a 50T, with rating 2.5A, T, 250V.
- The fuse / circuit breaker for the unit is to be provided by the user according to the current at maximum power input or use.

OPERATION INSTRUCTIONS

▶ OPERATION MODES

°C °F

Selecting mode

Each time **MODE** button is pressed, the operation mode is changed in sequence:

smart → cooling → dry → fan only

1

FAN mode

Each time the "FAN" button is pressed, the fan speed is changed in sequence:

Auto → High → Low

2

- At "FAN ONLY" mode, only "High" and "Low" are available.
- At "DRY" mode, airflow is set at "Low" automatically, "FAN" button is ineffective in this case.

Setting temperature

- ▲ Press once to raise temperature setting by 1 (2)
- ▼ Press once to lower temperature setting by 1 (2)

3

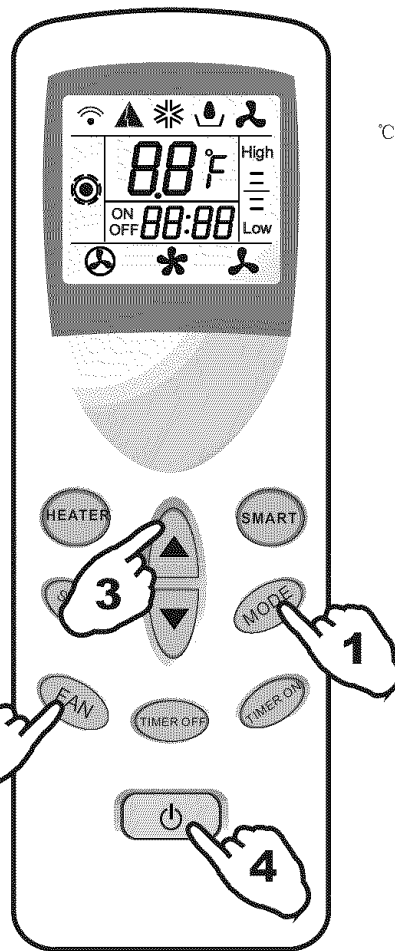


Range of available set temperature	
COOLING	18 (64) ~ 32 (90)
DRY	room temperature ± 2 (4)
FAN ONLY	unable to set

Turning on

Press button, when the appliance receives the signal, the RUN indicator of the air conditioner lights up.

4



°C °F

°C °F

HEATER (SUPER), SMART, DRY, TIMER ON and TIMER OFF operation modes will be specified in the following pages.

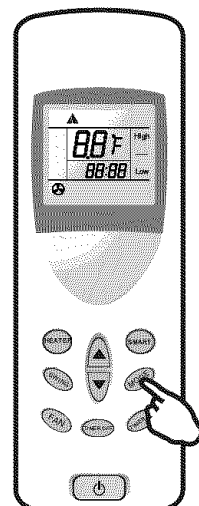
- Changing modes during operation, sometimes the unit does not respond at once. Wait 3 minutes.
- Wait 3 minutes before restarting the appliance.

OPERATION INSTRUCTIONS

► COOLING MODE

If you want to cool the room, you can operate the appliance as follows:

1. Press **MODE** button and select cooling mode.
2. Press **FAN** button to select the fan speed you need.
3. You also can set the appropriate temperature by using the temperature button.
4. When all the above is done, you can press **ON/OFF** button to make the appliance run with cooling mode.
5. You can adjust the fan direction by pressing swing button, press once for swing, and press again to stop.



► DRY MODE

The appliance also gives you the function of drying.

1. Press **MODE** button and press select dry mode.
2. You can set the appropriate temperature by using the temperature button.
3. Press **ON/OFF** button to make the appliance run with dry mode.
4. You can adjust the fan direction by pressing **SWING** button, press once for swing, and press again to stop.

- Note:**
- *Dry mode cannot be used to cool the room.*
 - *It requires hot air outlet hose in Dry mode.*
 - *In dry mode, fan speed is preset by appliance, so fan button is not applicable.*

Additional introductions

1. If you select cooling or dry mode while appliance is in another mode, the compressor will be delay-protected. Wait for 3~5 minutes, the appliance will run again. Do not press any button during the waiting time, or the appliance will re-count the protected time.
2. In cooling or dry mode, when the room temperature is up to set the temperature, the compressor will stop running, and fan only is at rest.

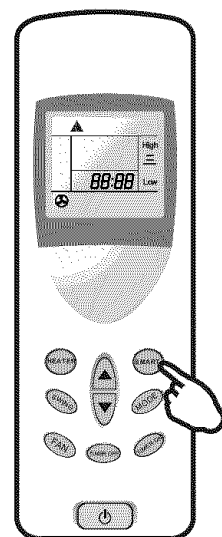
OPERATION INSTRUCTIONS

▶ SMART MODE

Press the **SMART** button, the unit enters smart mode(fuzzy logic operation) directly whether the unit is on or off. In this mode, temperature and fan speed are automatically set based on the actual room temperature.

Press the **FAN** button in smart mode, if the appliance is in cooling mode, fan speed changes in turns: Auto-High-Low; if the appliance is in dry mode, the LCD displays as figure on the right, but in fact, there is Auto-speed only.

Operation mode and temperature are determined by indoor temperature		
Cooling only models		
Indoor temperature	Operation mode	Target temperature
26°C (79°F) or below	DRY	Room temperature decrease 1.5 after operate for 3 minutes
Over 26°C (79°F)	COOLING	26°C (79°F)



☑ **SMART** button is ineffective in **SUPER** mode.

Note: Temperature, airflow and direction are controlled automatically in SMART mode. However, a decrease or rise of up to 1°C(2°F) can be set with the remote controller or control panel if you still feel uncomfortable.

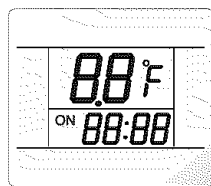
A decrease or increase up to 2°C(4°F) can be set in SMART mode		
Your feeling	button	adjustment procedure
Slightly warmer A decrease up to 2°C (4°F) can be set		A Press once to lower the set temp by 1°C (2°F) High Low
		B Press twice to lower the set temp by 2°C (4°F) High Low
Slightly cooler A rise up to 2°C (4°F) can be set		A Press once to raise the set temp by 1°C (2°F) High Low
		B Press twice to raise the set temp by 2°C (4°F) High Low
Uncomfortable because of unsuitable air flow volume.		Fan speed alternates among High and Low each time this button is pressed.
Uncomfortable because of unsuitable flow direction.		Press it once, the vertical adjustment louver swings to change vertical airflow direction. Press it again, swings stops. <i>Note: There is no swing button on the control panel, if you hold down FAN button 3 seconds, it can realize swing function on the control panel. Hold down the FAN button 3 seconds again, you cancel it.</i>

OPERATION INSTRUCTIONS

► TIMER ON SETTING

It is convenient to set the timer on with **TIMER ON** button when you go out in the morning to achieve a comfortable room temperature at the time you get home.

When you press **TIMER ON**, the **ON** indicator will flash 0.5 seconds, and the preset time with displaying 12:00 flashes at the same time.



Press the Δ or ∇ button once, the set time will increase or decrease 10 minutes. Hold down the button 1.5 seconds, the set time will increase or decrease 10 minutes twice.

The set time clock is 24 hours format, it can be set within 24 hours at most.

When you have selected the set time for timer on, you must press **TIMER ON** again, then the appliance can be set with **TIMER ON**.

How to cancel timer on

Hold down the **TIMER ON** button 3 seconds to cancel timer on, or the timer you set is available everyday.

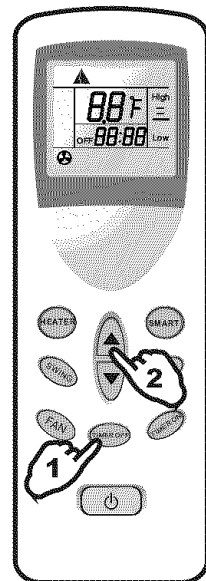
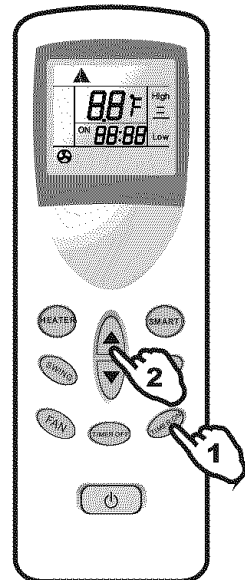
► TIMER OFF SETTING

You also can set the timer off with **TIMER OFF** button.

The instructions are similar to timer on mode.

► REAL TIME ADJUSTING

Real time can be adjusted in any mode. You can press **TIMER ON** and **TIMER OFF** at the same time, It flashes 0.5 seconds, and the time displays: 12:00. You can start to adjust the real time. Press once ∇ to lower the time by 1 minute. If you hold down the button for 1.5 seconds, you can lower the time by 10 minutes.



OPERATION INSTRUCTIONS

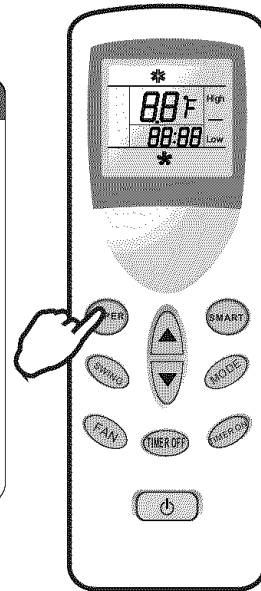
► SUPER MODE

SUPER mode(For cooling model only)

- SUPER mode is used to start or stop fast cooling.
Fast cooling operates at high fan speed, changing the set temperature automatically to 18°C (64°F)
- SUPER mode can be set when the appliance is in operation or energized.
- In SUPER mode, you can set airflow direction or timer. If you want to escape from SUPER mode, press any -SUPER, MODE, FAN, ON/OFF or TEMPERATURE SETTING button, the display will return to the original mode.

Note:

- *SMART buttons are not available in SUPER mode.*
- *The Appliance will continue working in SUPER mode with set temperature of 18 , if you do not press any of the buttons mentioned above.*



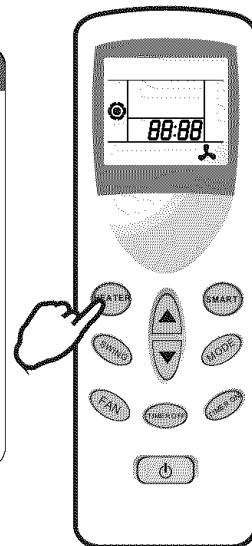
► HEATER MODE (optional feature)

HEATER mode(For heating model only)

- You can press HEATER button to come into heater mode.
- Press FAN button, fan speed changes in turns: Auto-High-Low.
- You can set TIMER ON or TIMER OFF in heating mode.
- The appliance will escape from heating mode by pressing HEATER button again. Then the appliance comes into fan only mode.

Note:

- *HEATER button is available in any mode.*



PROTECTION

Operating condition

The protective device may trip and stop the appliance in the cases listed below.

COOLING	Outdoor air temperature is over 43°C (109°F)
	Room temperature is below 18°C (64°F)
DRY	Room temperature is below 18°C (64°F)

If the air conditioner runs in COOLING or DRY mode with door or window opened for a long time when relative humidity is above 80%, dew may drip down from the outlet.

Features of protector

- ① **The protective device will work in the following cases.**
 - Restarting the unit at once after operation stops or changing mode during operation, you need to wait 3 minutes.
 - Connect to power supply and turn on the unit at once, it may start 20 seconds later.
- ② • If the plug is taken out, when you restart the appliance, it will return to the original mode, TIMER ON and TIMER OFF must be set again,

drain water

In COOLING or DRY operation, it is possible that water full indicator (red) lights. Please cut off the power supply, move the appliance to a suitable place to pull out the water plug and drain the water. After this, be sure to re-install the plug, or the appliance may leak and make your room wet.

If the appliance is placed in a position admitting drain water, you also can connect the drain hose to the drain port to drain water.

MAINTENANCE

Appliance maintenance

- 1** **Cut off the power supply**

Turn off the appliance first before disconnecting from power supply.


- 2** **Wipe with a soft and dry cloth.**

Use lukewarm water (below 40°C) to clean if the appliance is very dirty.



Use a dry and soft cloth to clean it.
- 3** **Never use volatile substance such as gasoline or polishing powder to clean the appliance.**


- 4** **Never sprinkle water onto the main unit**



Dangerous! Electric shock!

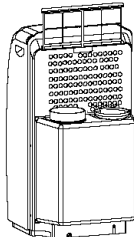
Air filter maintenance

It is necessary to clean the air filter after using it for about 100 hours.


Clean it as follows:

- 1** **Stop the appliance and remove the air filter.**

Stop the appliance first, then push up the air filter.


- 2** **Clean and reinstall the air filter.**

If the dirt is conspicuous, wash it with a solution of detergent in lukewarm water. After cleaning, dry it in a shaded and cool place, then reinstall it.


- 3**


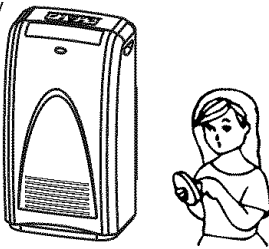
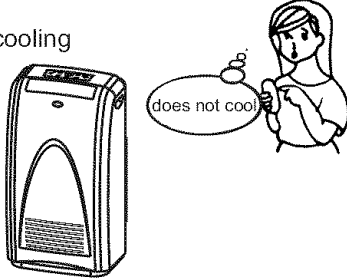
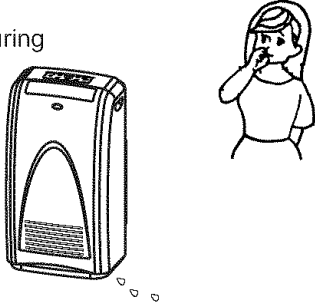

Clean the air filter every two weeks if the air conditioner operates in an extremely dusty environment.

Maintenance after using

1. If the appliance will not be used for a long time, be sure to Pull out the rubber plug of the drain port underside, in order to drain the water.
2. Keep the appliance running with fan only for a half day during a sunny day to dry the appliance inside and prevent from going moldy.
3. Stop the appliance and pull out the power supply plug, then take out the batteries of remote controller and store appliance properly in a clean and dry environment.
4. Clean the air filter and reinstall it.
5. Remove the air hoses and store them properly in a clean and dry environment, and cover the hole tightly.

TROUBLESHOOTING

The following cases may not always be a malfunction, please check suggestions below before asking for service.

Trouble	Analysis
<p>Does not run</p> 	<ul style="list-style-type: none"> • If the protector trip or fuse is blown. • Please wait for 3 minutes and start again, protector device may be preventing unit from working. • If batteries in the remote controller exhausted. • If the plug is not properly plugged in.
<p>Runs for a short while only</p> 	<ul style="list-style-type: none"> • If the set temperature is close to room temperature, you can lower the set temperature. • Air outlet blocked by obstacle. Take the obstacle away.
<p>Runs but not cooling</p> 	<ul style="list-style-type: none"> • If the door or window is open. • If there is another heating appliance working, like heater or lamp, etc. . • The air filter is dirty, please clean it. • Air outlet or intake blocked. • Set temperature is too high.
<p>Water leaks during moving</p> 	<ul style="list-style-type: none"> • Drain the condensate before moving.
<p>Does not run and water full indicator lights</p> 	<ul style="list-style-type: none"> • Pull out the rubber plug to drain water. • If it is often in this state, please contact qualified service technical.

WARRANTY

LIMITED WARRANTY - One (1) Year Carry-In Service on Entire Unit, Five (5) Year Carry-In Service on Compressor

This product is warranted for ONE year from the date of original purchase for the entire unit, and FIVE years from the date of original purchase on the compressor. Any part which fails in materials or workmanship will be replaced. During this limited warranty, all labor (does not include service trip to home) to replace the part will be provided free of charge. A copy of your proof of purchase, with date of purchase and product name included, is required to arrange this service repair.

For the name and location of an authorized service provider nearest you, please **CALL 1-877-465-3566**. Please reference product name, brand name, and model number when you call.

This warranty does not apply if the damage occurs because of accident, improper handling or operation, shipping damage, abuse, misuse, unauthorized repairs made or attempted, or the use of the product for commercial use, or any other use for which it was not originally intended.

ALL WARRANTIES, EXPRESSED OR IMPLIED, LAST FOR ONE YEAR (FIVE YEARS for COMPRESSOR) FROM THE DATE OF ORIGINAL PURCHASE.
THIS WARRANTY DOES NOT COVER LIABILITY FOR INCIDENTAL OR CONSEQUENTIAL DAMAGES FOR ANY CAUSE WHATSOEVER.

This warranty is extended to the original owner and any succeeding owner for products purchased for home use within the USA. Some states do not allow the exclusion or limitation of incidental or consequential damages. This warranty gives you specific rights, and you may also have other rights which may vary from state to state. To know what your legal rights are, consult your local or state consumer affairs office or your state's Attorney General.

Admiral®

© 2005 **Admiral**®, Kelon Air Conditioner Co., and Kelon USA, Inc. All rights reserved.

Printed in China