

### CAP7250AG/CAP7252AG/CAP7253AG

### Wireless-AC+ABGN Long Range Ceiling Mount Dual Concurrent AP

Please verify contents of the box before continuing to set up the CAP7250AG/CAP7252AG/CAP7253AG.

- CAP7250AG/CAP7252AG/CAP7253AG Access Point
- 12V/2A 100V~240V Power Adaptor
- Mounting Bracket
- Wall/Ceiling Mounting Hardware Kit
- T-Rail Mounting Hardware Kit

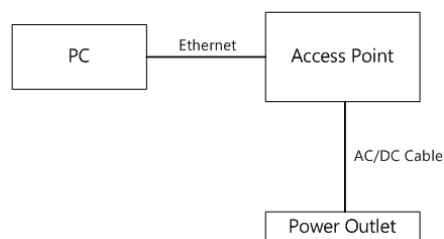
\*CAP7250AG is 3x3 concurrent 3x3 MIMO access point

\*CAP7252AG is 2x2 MIMO internal ANT access point

\*CAP7253AG is 2x2 MIMO external ANT access point

#### Connecting the CAP7250AG/CAP7252AG/CAP7253AG

- 1) Ensure that the computer in use has an Ethernet Card (RJ-45 Ethernet Port). For more information, verify with User Manual.
- 2) Connect one end of the Category 5e Ethernet cable into RJ-45 port of the CAP7250AG/CAP7252AG/CAP7253AG and the other end to the RJ-45 port on the computer that will use the CAP7250AG/CAP7252AG/CAP7253AG. Ensure that the cable is securely connected to both the CAP7250AG/CAP7252AG/CAP7253AG and the Computer.
- 3) Connect the Power DC Inlet to the **DC-IN** port of the CAP7250AG/CAP7252AG/CAP7253AG and the Power to the electrical out.



**Note:** CAP7250AG/CAP7252AG/CAP7253AG supports both IEEE 802.3at PoE(Power over Ethernet) and regular power adaptor. You should use either one as the power source. Please do not apply both at the same time.

## IP address configuration

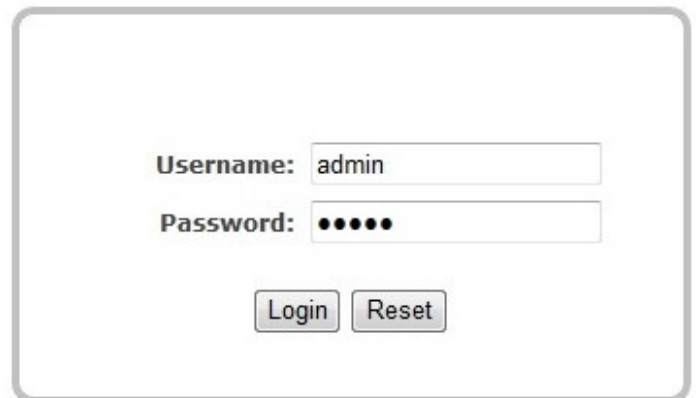
- 1) After ensuring the EnGenius device is powered on and plugged in, ensure that your computer is on.
- 2) For the next steps, refer to your Operating System User Manual.
- 3) Once your computer is on, ensure that your TCP/IP is set to **On** or **Enabled**. (In the control panel, double click Network Connections and then double click on the connection of your Network Interface Card (NIC). Select **Internet Protocol (TCP/IP)** and then click on the **Properties** button.)
- 4) If your PC is already on a computer network, ensure that you have set it to a Static IP Address on the interface (or Ethernet card that will use the CAP7250AG/CAP7252AG/CAP7253AG) as **192.168.1.21** and the Subnet Mask address as **255.255.255.0**. (Select **Use the following IP Address** radio button). Once the computer has been prepared, proceed to setting up the CAP7250AG/CAP7252AG/CAP7253AG.

## CAP7250AG/CAP7252AG/CAP7253AG Setup

- 1) To configure CAP7250AG/CAP7252AG/CAP7253AG, open a web browser (**example:** Microsoft Internet Explorer, Mozilla Firefox, Google Chrome, etc.).
- 2) In the address bar of the web browser, enter **192.168.1.2** (the default IP address of the CAP7250AG/CAP7252AG/CAP7253AG) and hit enter.

**http://192.168.1.2**

- 3) A login screen will appear. By default, the username of the CAP7250AG/CAP7252AG/CAP7253AG is **admin** and the password is **admin**. Enter the current username and password of the CAP7250AG/CAP7252AG/CAP7253AG and then click **Login**. Refer to the CAP7250AG/CAP7252AG/CAP7253AG user manual on how to change the username and password.
- 4) After clicking **Login** with the correct username and password, the CAP7250AG/CAP7252AG/CAP7253AG Main Menu will appear. If you are successful, proceed to setting up the wireless connection.



Username:

Password:

## Switching Between Operating Modes

This device can operate in the following modes: Access Point, WDS AP, WDS Bridge and Repeater.

- A. Click on the **Operation Mode** link under the **System** navigation drop-down menu.
- B. **Operating Mode**: Select an operating mode from the list (Access Point, WDS AP, WDS Bridge or Repeater) and then click on the **Apply** button.
- C. All basic setup is completed. *Note: The wireless connection is not secure. To setup security on the CAP7250AG/CAP7252AG/CAP7253AG, refer to the CAP7250AG/CAP7252AG/CAP7253AG User Manual.*

## Mounting the CAP7250AG/CAP7252AG/CAP7253AG

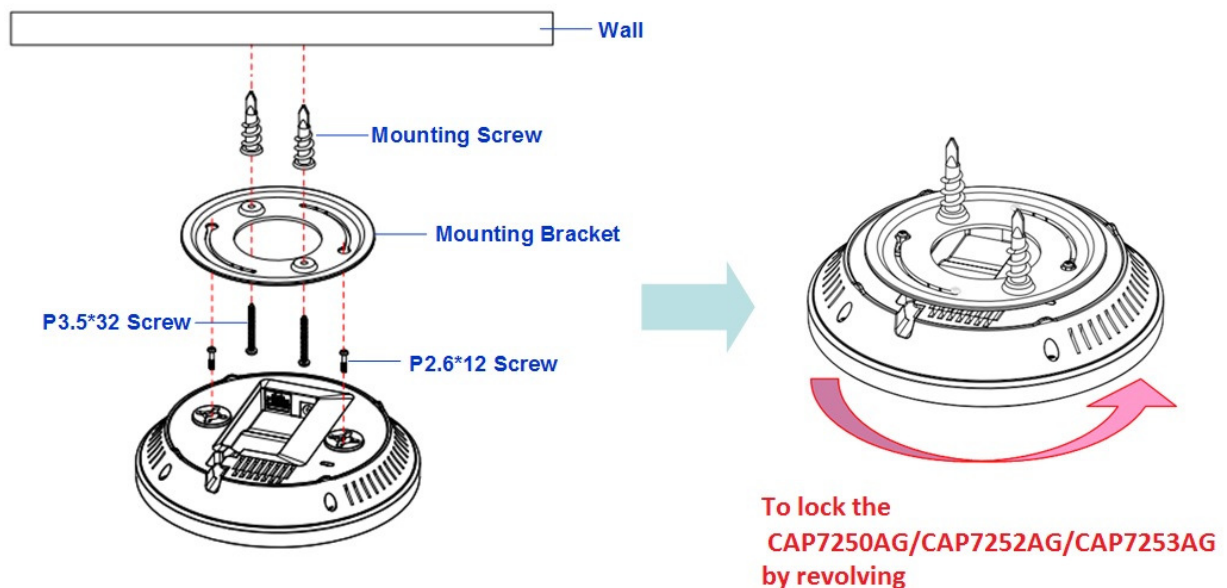
Using the provided hardware, the CAP7250AG/CAP7252AG/CAP7253AG can be attached to a ceiling or wall.

### To attach the CAP7250AG/CAP7252AG/CAP7253AG to a ceiling or wall using the mounting bracket:

- 1) Attach the mounting bracket to the wall or ceiling using the provided wall/ceiling mounting hardware kit.
- 2) Insert the provided short screws into the bottom cover of the CAP7250AG/CAP7252AG/CAP7253AG.

Leave enough of the screws exposed to ensure that the unit can be attached to the mounting bracket.

If extra space is required, use the provided spacers and long screws from the T-Rail mounting hardware kit to increase the space between the unit and the mounting bracket.



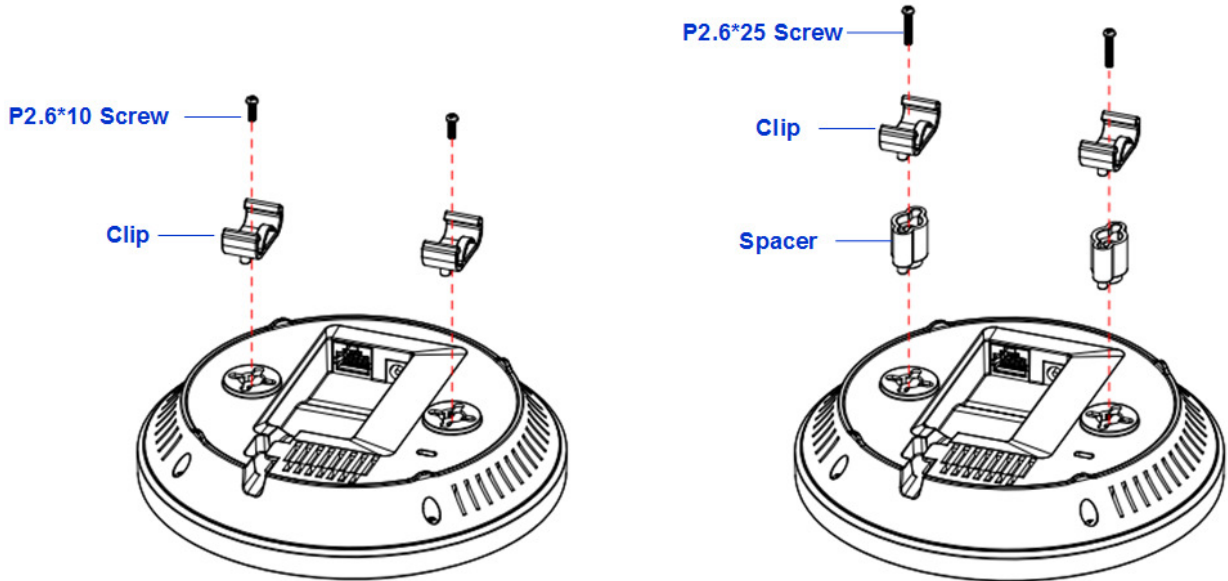
- 3) Mount the CAP7250AG/CAP7252AG/CAP7253AG on the mounting bracket by rotating the unit clockwise about 90 degrees to secure it in place.

**To attach the CAP7250AG/CAP7252AG/CAP7253AG to a ceiling using the provided T-rail connectors:**

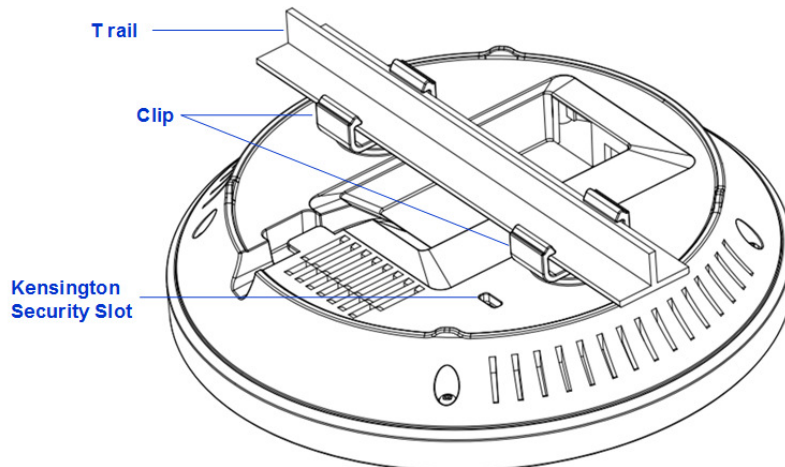
- 1) Attach the T-rail connectors to the bottom cover of the CAP7250AG/CAP7252AG/CAP7253AG using the provided short screws.

Two sizes of T-rail connectors are included in the mounting hardware kit: 15/16in (2.38cm) and 9/16in (1.43cm).

If extra space is required to accommodate drop ceiling tiles, use the provided spacers and long screws.



- 2) Line up the connected T-rail connectors with an appropriately sized rail and press the unit onto the rail until it snaps into place.



**Note:** To protect your CAP7250AG/CAP7252AG/CAP7253AG, use the Kensington security slot to attach a cable lock (cable lock is not included).

## **Federal Communication Commission Interference Statement**

This equipment has been tested and found to comply with the limits for a Class B digital device, pursuant to Part 15 of the FCC Rules. These limits are designed to provide reasonable protection against harmful interference in a residential installation. This equipment generates, uses and can radiate radio frequency energy and, if not installed and used in accordance with the instructions, may cause harmful interference to radio communications. However, there is no guarantee that interference will not occur in a particular installation. If this equipment does cause harmful interference to radio or television reception, which can be determined by turning the equipment off and on, the user is encouraged to try to correct the interference by one of the following measures:

- Reorient or relocate the receiving antenna.
- Increase the separation between the equipment and receiver.
- Connect the equipment into an outlet on a circuit different from that to which the receiver is connected.
- Consult the dealer or an experienced radio/TV technician for help.

FCC Caution: Any changes or modifications not expressly approved by the party responsible for compliance could void the user's authority to operate this equipment.

This device complies with Part 15 of the FCC Rules. Operation is subject to the following two conditions: (1) This device may not cause harmful interference, and (2) this device must accept any interference received, including interference that may cause undesired operation.

### **IMPORTANT NOTE:**

#### **Radiation Exposure Statement:**

This equipment complies with FCC radiation exposure limits set forth for an uncontrolled environment. This equipment should be installed and operated with minimum distance 20cm between the radiator & your body.

This transmitter must not be co-located or operating in conjunction with any other antenna or transmitter.

Country Code selection feature to be disabled for products marketed to the US/CANADA

## **Professional installation instruction**

### 1. Installation personal

This product is designed for specific application and needs to be installed by a qualified personal who has RF and related rule knowledge. The general user shall not attempt to install or change the setting.

### 2. Installation location

The product shall be installed at a location where the radiating antenna can be kept 20 cm from nearby person in normal operation condition to meet regulatory RF exposure requirement.

### 3. External antenna

Use only the antennas which have been approved by the applicant. The non-approved antenna(s) may produce unwanted spurious or excessive RF transmitting power which may lead to the violation of FCC limit and is prohibited.

### 4. Installation procedure

Please refer to user's manual for the detail.

### 5. Warning

Please carefully select the installation position and make sure that the final output power does not exceed the limit set force in relevant rules. The violation of the rule could lead to serious federal penalty.