

## INSTRUCTIONS FOR USE

### ACCESS CONTROL SYSTEM PE3LR

### WANDER MONITORING AD-CARE



## SUMMARY

PE3LR / AD-CARE SYSTEM OVERVIEW	P. 1
WORKING PRINCIPLE	
SYSTEM COMPONENTS - READERS/CONTROLLERS/SOFTWARE	P. 2
SYSTEM COMPONENTS - TAGS / CARDS / AD-CARE-W WRIST	P. 4
PE3LR / AD-CARE STAND ALONE SYSTEM DETAILS	P. 6
Technical specifications PE3LR-C / AD-CARE Stand-alone controller	P. 6
Wiring information PE3LR-C / AD-CARE Stand-alone controller	P. 7
Technical specifications PE3LR-E external reader	P.10
POSITIONNING CONTROLLER / EXTERNAL ANTENNA	P. 11
Single / Dual reader configuration	
Specific recommendations / configurations	

**FCC - 15.21 NOTE:**

The user manual for an intentional or unintentional radiator shall caution the user that changes or modifications not expressly approved by the party responsible for compliance could void the user's authority to operate the equipment. (PE3LR-C / PE3LR-T/ PE3LR-TCH / AD-CARE-W)

**NOTE: THE GRANTEE IS NOT RESPONSIBLE FOR ANY CHANGES OR MODIFICATIONS NOT EXPRESSLY APPROVED BY THE PARTY RESPONSIBLE FOR COMPLIANCE. SUCH MODIFICATIONS COULD VOID THE USER'S AUTHORITY TO OPERATE THE EQUIPMENT.**

## PE3LR / AD-CARE SYSTEM OVERVIEW

### ADVEEZ TECHNOLOGY ADVANTAGES

#### 100% Hands Free Access: accurate, long range, compatible with ADVEEZ & existing OEM access control systems

The ADVEEZ PE3LR is a hands-free access control system that combines precision, long range and 3D detection. It offers very convenient and efficient access control via the ADVEEZ PE3LR-T card/tag which can be carried in a bag or pocket and still be quickly identified. The PE3LR is ideal for upgrading traditional key pad and card swipe systems or applications where hands-free access is required including: clean rooms, hospitals, parking, entry automation for disabled persons, etc. PE3LR system components are compact, robust and easy to install.

By creating precise detection zones, the ADVEEZ system avoids misdetection, which is the main drawback of existing systems.

All ADVEEZ Readers supports 125 kHz, in addition to Adveez hands-free tags.

The PE3LR system is also compatible with all types of electronic locks (magnetic locks, electro-mechanic locks, motorized locks, etc.) and automatic devices (motorized doors). It can be connected to existing supervised access control systems as well.

### AD-CARE WANDER MONITORING SYSTEM

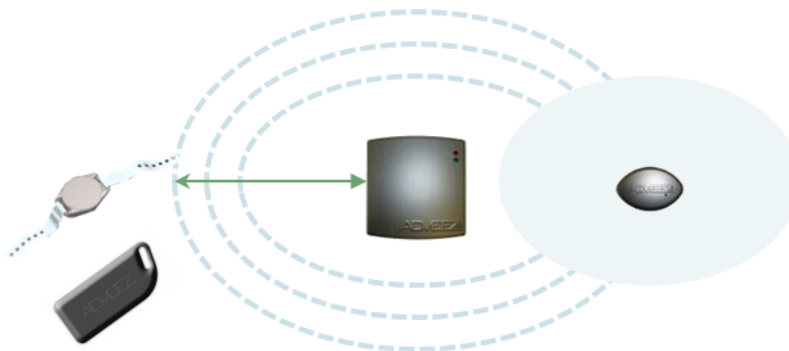
ADVEEZ AD-CARE wander monitoring system is a variant of PE3LR system which takes advantage of the precise & robust ADVEEZ detection. AD-CARE controllers can detect people wearing the AD-CARE-W wrist within a distance of 1 m up to 4 m.

It can then send an alarm, lock the access to be monitored, send an alarm locally or remotely to pagers and access control network controllers. Hands free tags can be used for passing through monitored accesses with patients & clearing alarms automatic

<b>DETECTION PRINCIPLE</b>	<b>PE3LR / AD-CARE</b>
----------------------------	------------------------

ally.

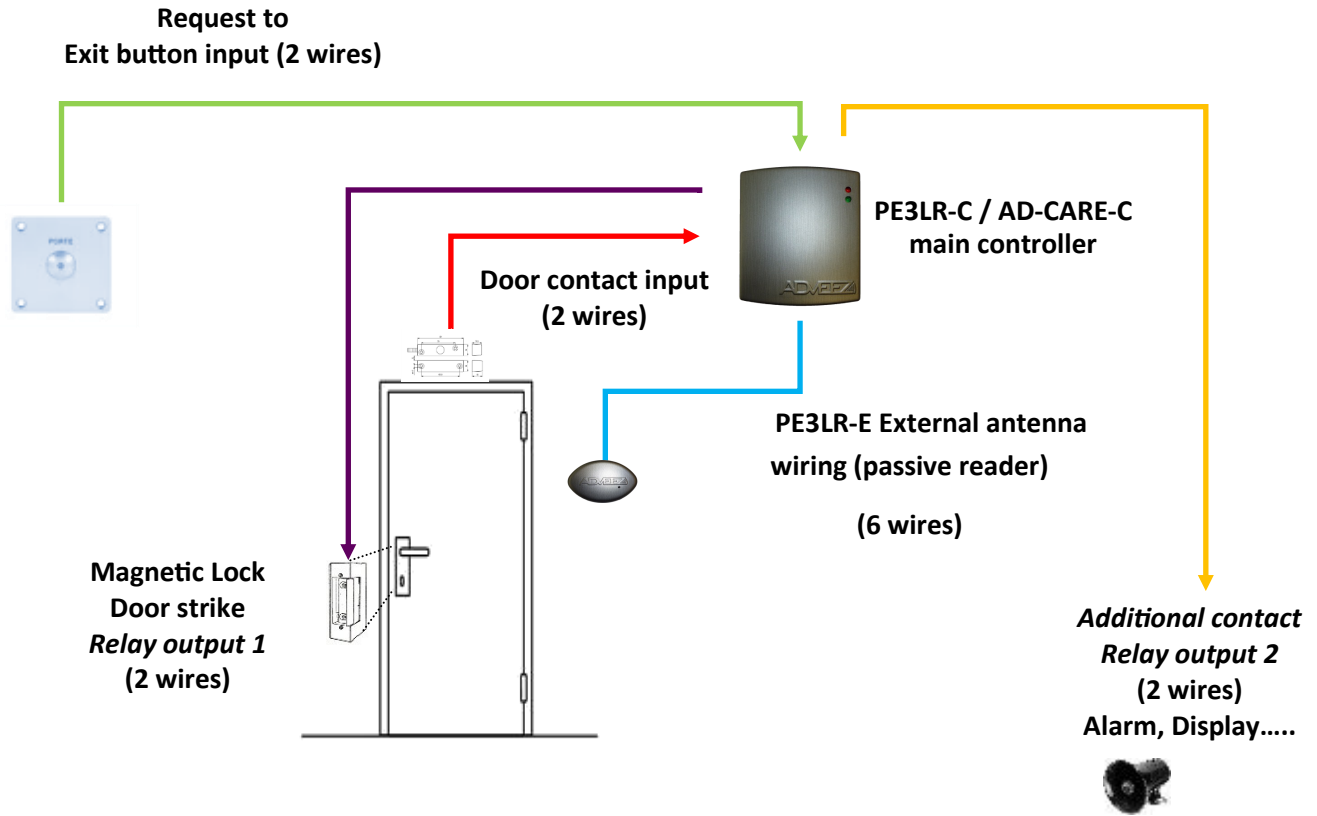
Main controller includes reading function . External antenna can extend main controller detection zone.  
Easy configuration per software of detection zones, enrolling of cards, wander management wrist.



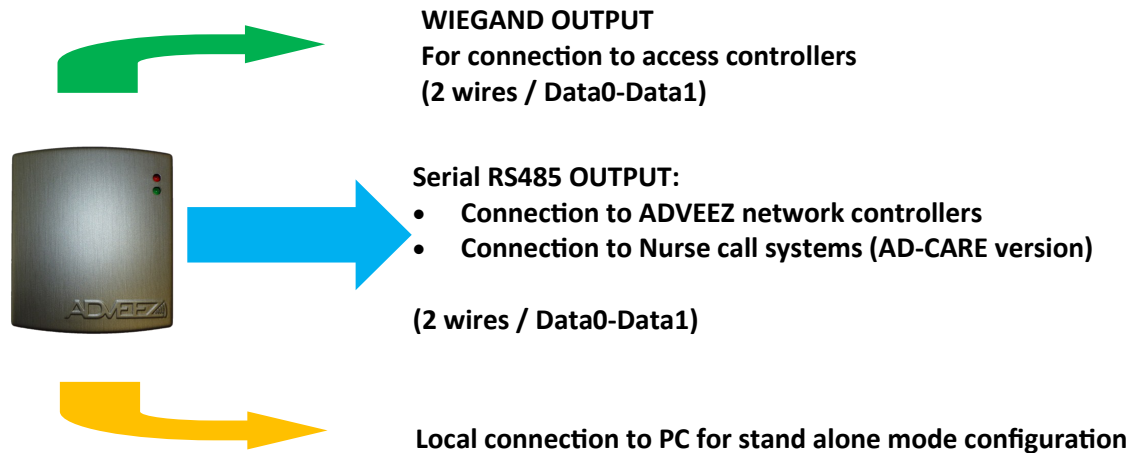
### SIMPLE, FLEXIBLE, AND RELIABLE SOLUTION

**PE3LR / AD-CARE SYSTEM OVERVIEW**

**INSTALLATION OVERVIEW**



**DATA INTERFACE OVERVIEW**



**SYSTEM COMPONENTS PE3LR / AD-CARE**

**SYSTEM COMPONENTS— PE3LR/AD-CARE controller & PE3LR external antenna— FCC ID: R8T-PE3LR-C**

**INTERNAL READER—PE3LR-C / AD-CARE STAND-ALONE CONTROLLER**

Hands-free Access Control – 1 access point

1024 cards in stand-alone version (64000 users in network version)

Program cards directly with Master Card (PE3LR-MC) or management software via PC– USB Cable

The Internal Reader function PE3LR-C Door Controller allows:

- Setting hands-free access or proximity (125 kHz) control in the secured zone on the external side without adding an additional Reader
- Enrolling badges directly via the controller
- Sensing movement direction between PE3LR-C internal Reader and PE3LR-E external Reader
- Connecting to ADVEEZ supervised access control system in a wired RS485 mode (Ref. P3LR-C-MC) or wireless (ref. PE3LR-C-WL)
- connecting to existing third party access control systems via Wiegand output
- connecting to nurse call systems (AD-CARE version)



**EXTERNAL READER / ANTENNA PE3LR-E**

- Waterproof and robust for outdoor installation
- additional Hands Free / detection zone
- ADVEEZ PE3LR-T Hands-free tag reading
- 125 KHz EM4100, 4200, 4450 Marin card reading



This device (FCC ID : R8T-PE3LR-C) complies with part 15 of the FCC Rules. *Operation is subject to the following two conditions: (1) This device may not cause harmful interference, and (2) this device must accept any interference received, including interference that may cause undesired operation”*

**WARNING STATEMENT FOR MODULE:**

Because of the power level and grant conditions of the Zig-Bee module, the 20cm separation distance warning statement is needed. Please see below.: The antenna(s) used for this transmitter must be installed to provide a minimum separation distance of 20cm, and must not be co-located or operating in conjunction with any other antenna or transmitter.

**FULL FUNCTION BENEFIT FROM PE3LR / AD-CARE WILL BE OBTAINED WITH FOLLOWING SOFTWARE**



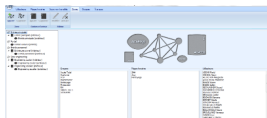
**STAND ALONE CONFIGURATION SOFTWARE (not described in present document)**

**PE3LR-PLG (PE3LR ACCESS CONTROL)**

- Enroll & Delete cards
- Download logged events
- Configure access control (relay output)

**PE3LR-PLG-WANDER-MONITORING (AD-CARE)**

- Enroll & Delete cards / wrist
- Download logged events
- Configure access control (relay output) & alarm clear-



**ORGANEZ SUPERVISED ACCESS CONTROL MANAGEMENT (not described in present doc.)**

**64000 event history / 10000 users / 128 readers / TCP-IP-R-485-Radio network**

SYSTEM COMPONENTS PE3LR / AD-CARE

SYSTEM COMPONENTS—CREDENTIALS

**HANDS-FREE TAG PE3LR-T (FCC-ID: R8T-PE3LR-T\*)**

- CR2032 battery life: 2,000,000 hands-free tag activations
- Tag dimensions 74 mm / 34 mm / 10 mm
- Hands-free badge color options: Black (ref: RAL9004), Grey (ref: RAL9006) - Red Master Tag PE3LR-T-MC enables programming tags



*“This device (FCC ID : R8T-PERL3-T) complies with part 15 of the FCC Rules. Operation is subject to the following two conditions: (1) This device may not cause harmful interference, and (2) this device must accept any interference received, including interference that may cause undesired operation”*

**HANDS-FREE CARD HOLDER PE3LR-TCH (FCC-ID: R8T-PE3LR-TCH\*)**

- Carries standard swipe or RFID proximity ISO cards
- CR2032 battery life: 2,000,000 hands-free tag activations
- Combines hands-free access system with existing swipe and magnetic card
- Dimensions: 86 mm / 54 mm / 0.76 mm
- Black (ref: RAL9004)



*“This device (FCC ID : R8T-PERL3-TCH) complies with part 15 of the FCC Rules. Operation is subject to the following two conditions: (1) This device may not cause harmful interference, and (2) this device must accept any interference received, including interference that may cause undesired operation”*



**CAUTION:**

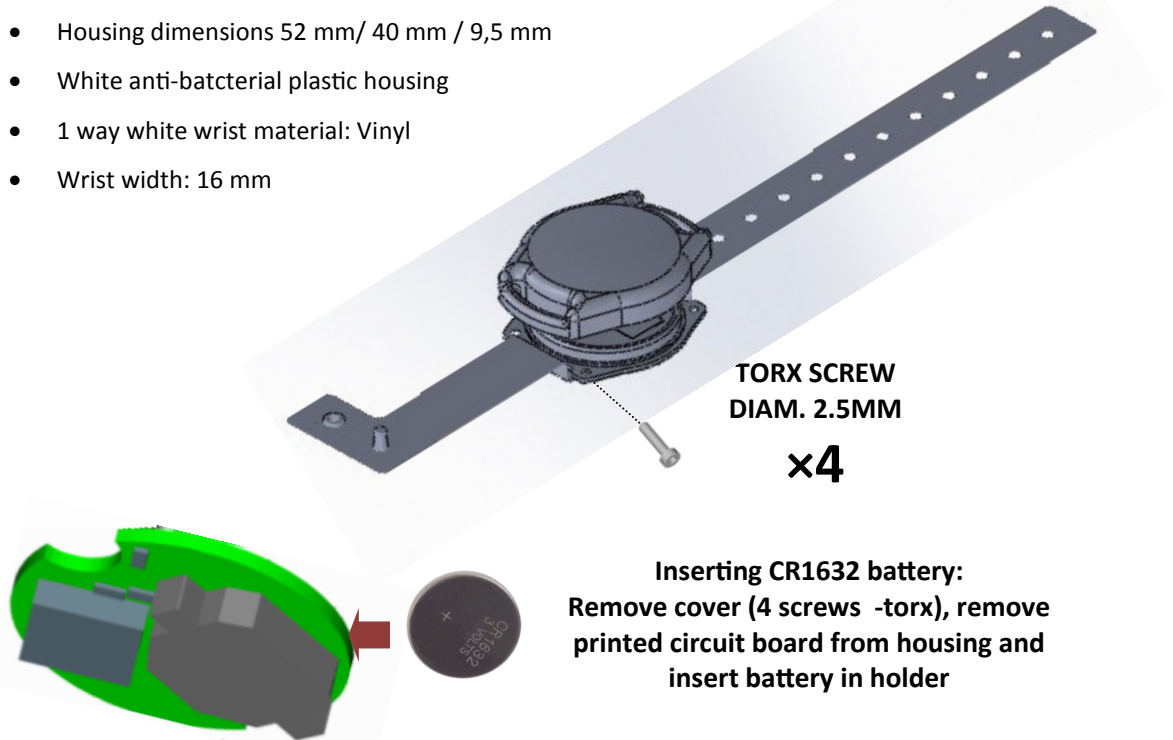
- Both hands free PE3LR-T & PE3LR-TCH work in proximity mode for access as well as for programming. Tags must be approached to PE3LR-C, AD-CARE-C & PE3LR-E ADVEEZ logo.
- Once the tag has been programmed on the system , battery must be inserted or removed & re-inserted in order

SYSTEM COMPONENTS PE3LR / AD-CARE

SYSTEM COMPONENTS—CREDENTIALS

**AD-CARE-W WANDER MONITORING WRIST (FCC-ID: R8T-AD-CARE-W\*)**

- CR1632 battery life: 2,000,000 wander monitoring activations
- Housing dimensions 52 mm/ 40 mm / 9,5 mm
- White anti-bacterial plastic housing
- 1 way white wrist material: Vinyl
- Wrist width: 16 mm



*“This device (FCC ID: R8T-AD-CARE-W) complies with part 15 of the FCC Rules. Operation is subject to the following two conditions: (1) This device may not cause harmful interference, and (2) this device must accept any interference received, including interference that may cause undesired operation”*



**CAUTION:**

- AD-CARE-W wrist works in proximity mode for access as well as for programming. Tags must be approached to PE3LR-C, AD-CARE-C & PE3LR-E ADVEEZ logo.
- Once AD-CARE-W wrist has been programmed on the system , battery must be inserted or removed & re-inserted in order to initiate tag rights.
- FCC - 15.21 NOTE:

The user manual for an intentional or unintentional radiator shall caution the user that changes or modifications not expressly approved by the party responsible for compliance could void the user’s authority to operate the equipment. (PE3LR-C / PE3LR-T/ PE3LR-TCH / AD-CARE-W)

**NOTE: THE GRANTEE IS NOT RESPONSIBLE FOR ANY CHANGES OR MODIFICATIONS NOT EXPRESSLY APPROVED BY THE PARTY RESPONSIBLE FOR COMPLIANCE. SUCH MODIFICATIONS COULD VOID THE USER’S AUTHORITY TO OPERATE THE EQUIPMENT.**

PE3LR / AD-CARE Controller specifications / mounting instructions

**PE3LR-C / AD-CARE-C controller (FCC-ID : R8T-PE3LR-C\*)**

Stand alone door controller PE3LR-C / AD-CARE (health care variant)

Programming via PC

2 frequency RF system

Both ADVEEZ hands Free + 125 kHz EM cards supported

12V/24V power supply with no configuration needed

200 mA average current draw / 1A peak

Operating temperature : -20°C / +70°C

Protection class: IP54

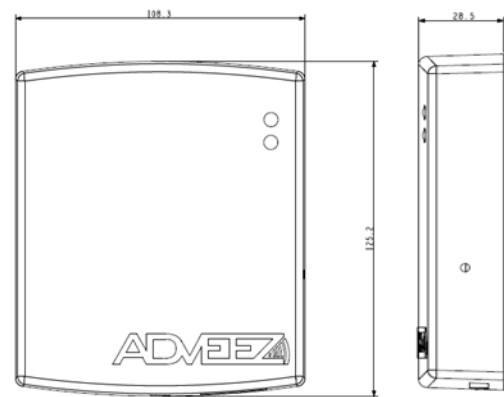
Weight: 0.200 kg

10000 users

64000 event history

RS485 network—radio network option (PE3LR-C-WL)

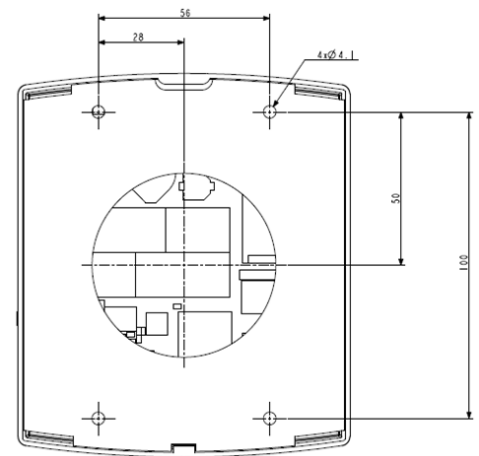
2 relays / 1 door contact switch



**Mounting & Dimensions**

Mounting (caution: avoid mounting close to 125kHz proximity card readers):

- 1) Fit all cables with terminal appropriate terminal blocks according wiring details in page 3
- 2) Mount the back cover on the wall (4 screws) and let the Cables fitted with the terminal blocks go through the back cover
- 3) Connect all the terminal blocks on the printed circuit board according to wiring diagram page 3.
- 4) Mount and screw the front cover unit on the back cover  
4 screws - 4x60 mm 4 S6 wall plugs



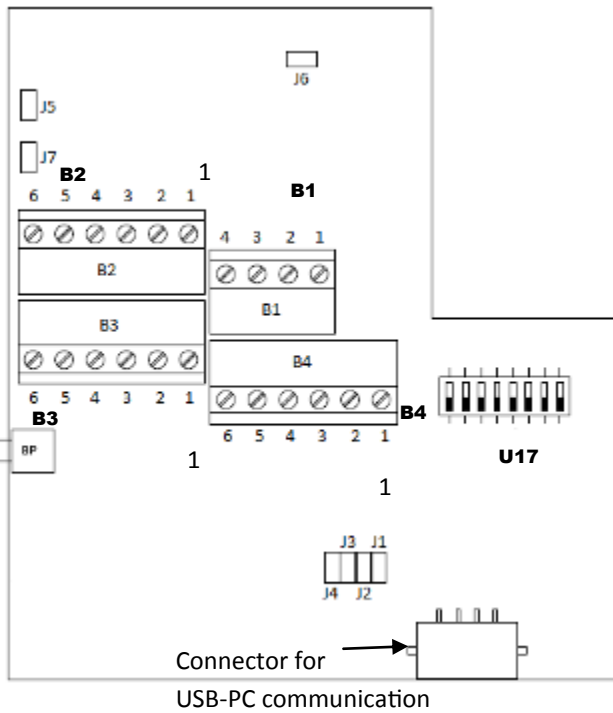
*“This device (FCC ID : R8T-PE3LR-C) complies with part 15 of the FCC Rules. Operation is subject to the following two conditions: (1) This device may not cause harmful interference, and (2) this device must accept any interference received, including interference that may cause undesired operation”*

**WARNING STATEMENT FOR MODULE:**

Because of the power level and grant conditions of the Zig-Bee module, the 20cm separation distance warning statement is needed. Please see below.: The antenna(s) used for this transmitter must be installed to provide a minimum separation distance of 20cm, and must not be co-located or operating in conjunction with any other antenna or transmitter.



**WIRING INFORMATION—TERMINAL BLOCK DETAILS PE3LR/AD-CARE Controller**



**Block 1 – BLUE– 4 Pins – POWER SUPPLY –RTE button**

Pin 1: 12V/24V
Pin 2: GROUND
Pin 3: Request To Exit button +
Pin 4: Request To Exit button -

**Block 2 – GREY- 6 Pins – 2 Relay / Door contact**

Pin 1: Relay– NO2
Pin 2: Relay - C2
Pin 3: Relay– NC2
Pin 1: Relay– NO1
Pin 2: Relay- C1
Pin 3: Relay – NC1

**Jumper configuration**



J3 OFF + J4 OFF single internal antenna activation	
J3 ON + J4 OFF Both internal & external antennas activated	
J3 OFF + J4 ON Single external antenna activation	
J3 ON + J4 ON Internal & external readers activated—filtering of misdetections in secured zone activated	
J2 ON: long range—internal antenna	J6 ON: activation buzzer
J1 ON: long range activation external antenna	J7 ON: activation de la LED interne
J5 ON: Red LED activated	

**Block 3 – GREY - 6 contacts - COMMUNICATION**

Pin 1: RS485-B
Pin 2: RS485-A
Pin 3: GROUND
Pin 4: Door Contact
Pin 5: DATA 1 - Wiegand
Pin 6: DATA 0 - Wiegand

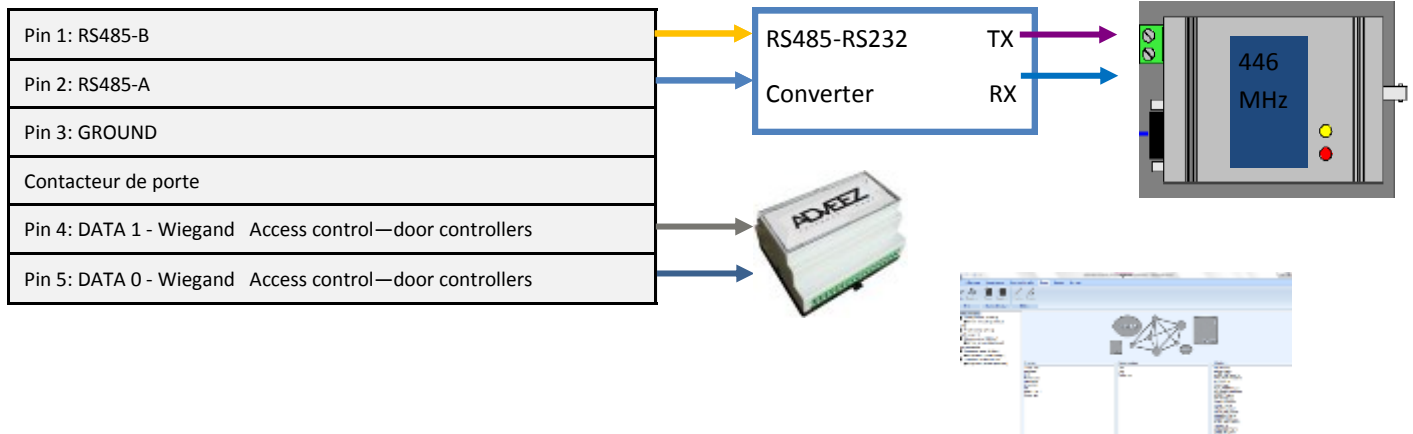
**Block 4 – GREY– 6 contacts External Antenna**

Pin 1: Tx1
Pin 2: Tx2
Pin 3: LED Green
Pin 4: LED red
Pin 5: GROUND
Pin 6: RX

**U17 : Inline switches for indexing controllers**

Wiring information - PE3LR/AD-CARE interface to access CTL & nurse call

**BLOCK 3 : NURSE CALL (ESPA4.4.4 output or POCSAG TEXT or ASCII)**

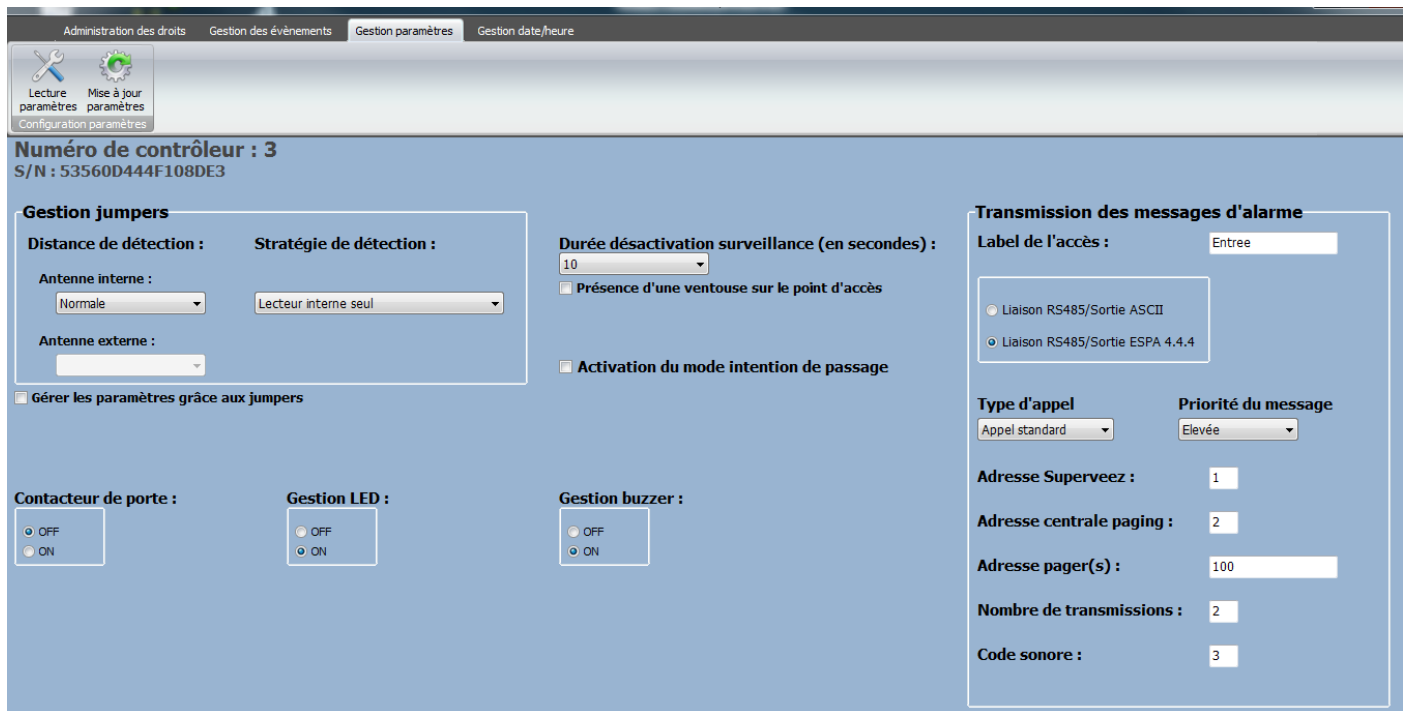


**Protocole configuration depending on device downstream of AD-CARE controller :**

Select tick box ESPA4.4.4 or POCSAG TEXT or ASCII raw data depending on device used

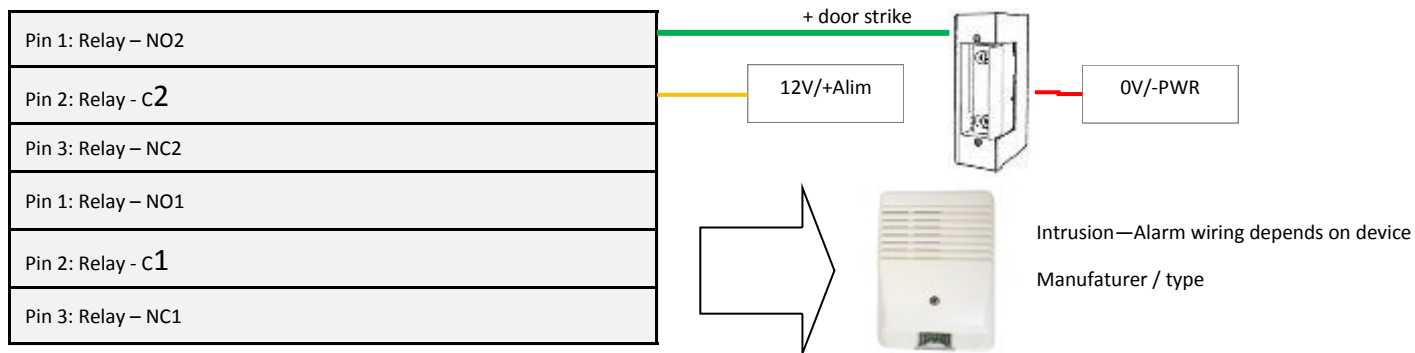
Monitored access can be named

Pager Adress / groups can be selected for ESPA communication mode.

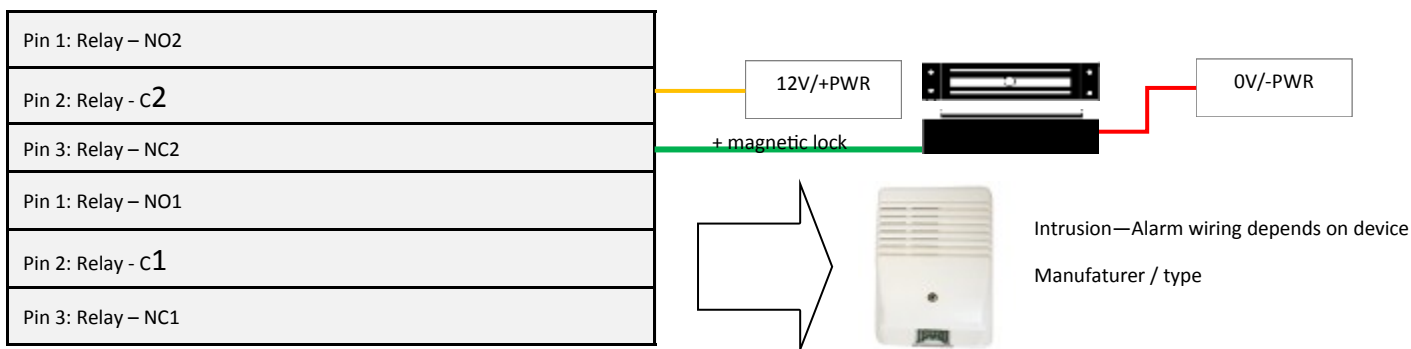


WIRING INFORMATION—PE3LR / AD-CARE—LOCKING DEVICES / RELAYS / POWER SUPPLY

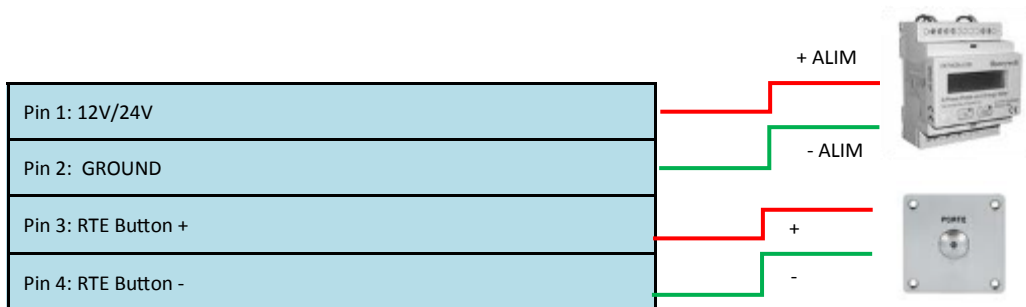
**Block 2 – GREY - 6 contacts – 2 Relay / Contacts—Door strike configuration (NO)**



**Block 2 – GREY - 6 contacts – 2 Relay / Contacts—Magnetic Lock configuration (NC—permanently supplied)**



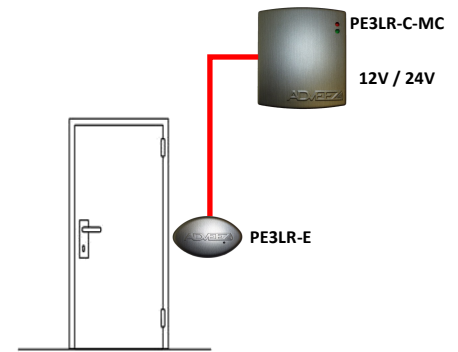
**Block 1 – BLUE– 4 contacts – POWER SUPPLY –RTE**



**WIRING INFORMATION PE3LR / AD-CARE**

**PE3LR-E EXTERNAL READER (FCC-ID : R8T-PE3LR-C\*)**

- Reading of hands free card PE3LR-T with high reading distance accuracy
- PE3LR-E enables extending detection zone by connecting it to PE3LR-C
- Mounting on standard wall box– 2 screws (minimum distance from a metal surface: 5 cm)
- (caution: avoid mounting close to 125kHz proximity card readers)
- Connection via removable terminal block
- 2 colors (red/green) LED actuation
- Multi technology antenna



**Removable terminal block details**

**Block 1 – Grey - 6 ways – Internal Reader**

PIN# 1: green LED
PIN# 2: red LED
PIN# 3: Ground LED
PIN# 4: Tx1
PIN# 5: Tx2
PIN# 6: Rx1

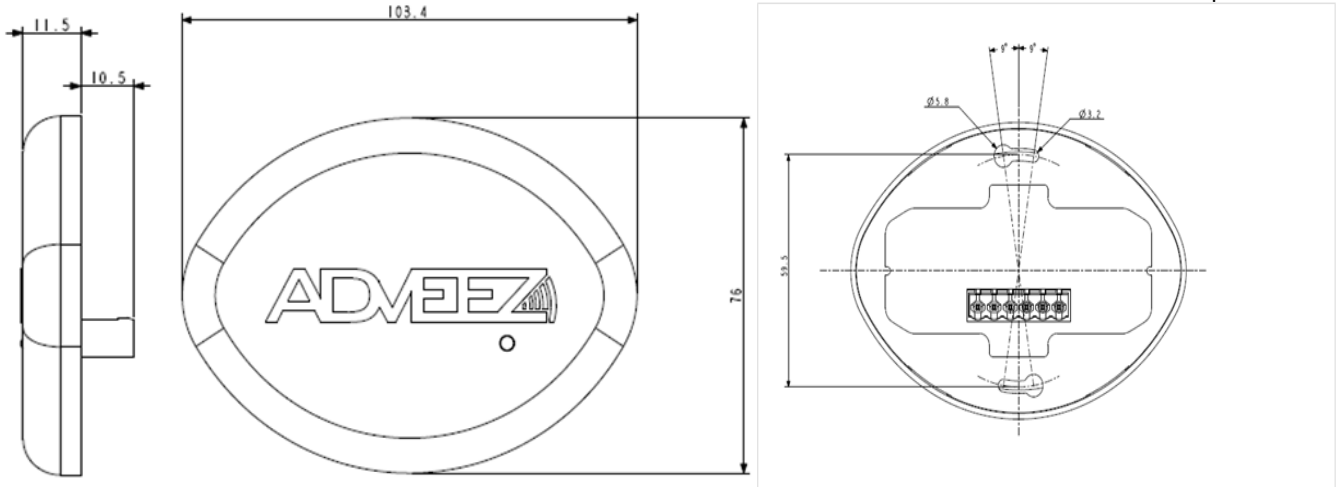


➔ \*Internal and External door control

External reader backside view / terminal block pin ordering details

**Mounting**

2 screws 4 mm × 60 mm on a standard recessed conduit box 67 mm diameter and 40 mm depth



*"This device (FCC ID : R8T-PE3LR-C) complies with part 15 of the FCC Rules. Operation is subject to the following two conditions: (1) This device may not cause harmful interference, and (2) this device must accept any interference received, including interference that may cause undesired operation"*

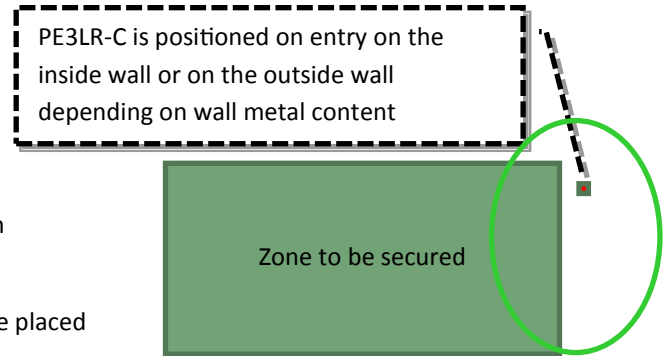
### Single-reader configuration - PE3LR-C / AD-CARE

The access control can work with the single door controller/internal reader.

The following drawing shows the detection zone inside the ring.

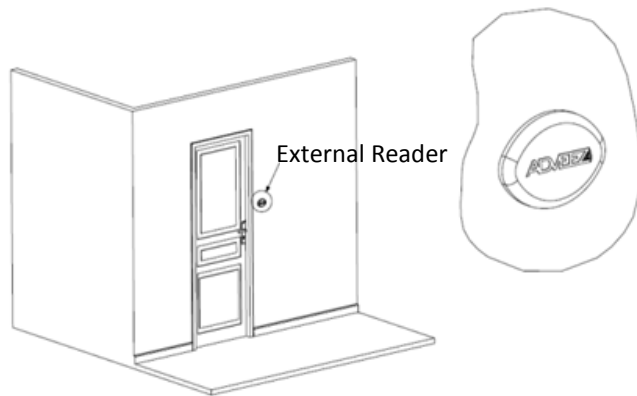
In this configuration, the access control works in both direction (internal and external).

The door controller / internal reader PE3LR-C must be placed in the secured zone to prevent any risk of attack towards controller. There is then no outside indication of identification

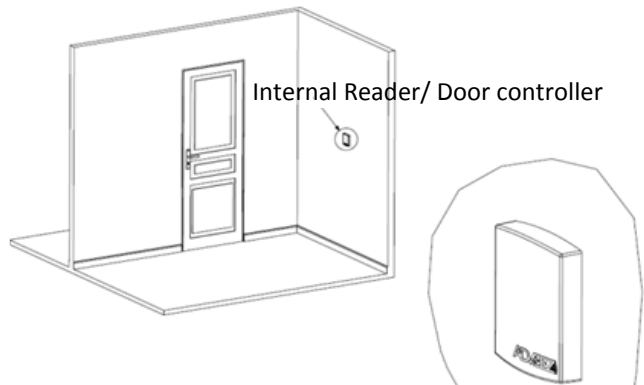


### Bi-reader configuration : external anti-vandal device

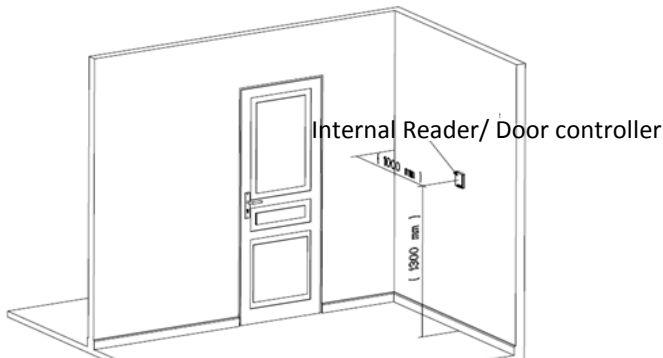
**Secured Zone/Outside view– PE3LR-E**



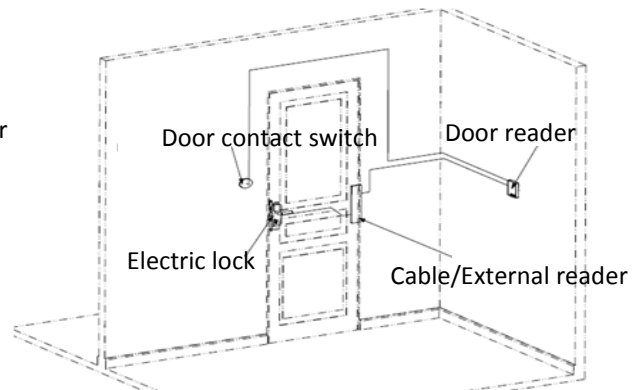
**Inside view– PE3LR-C**

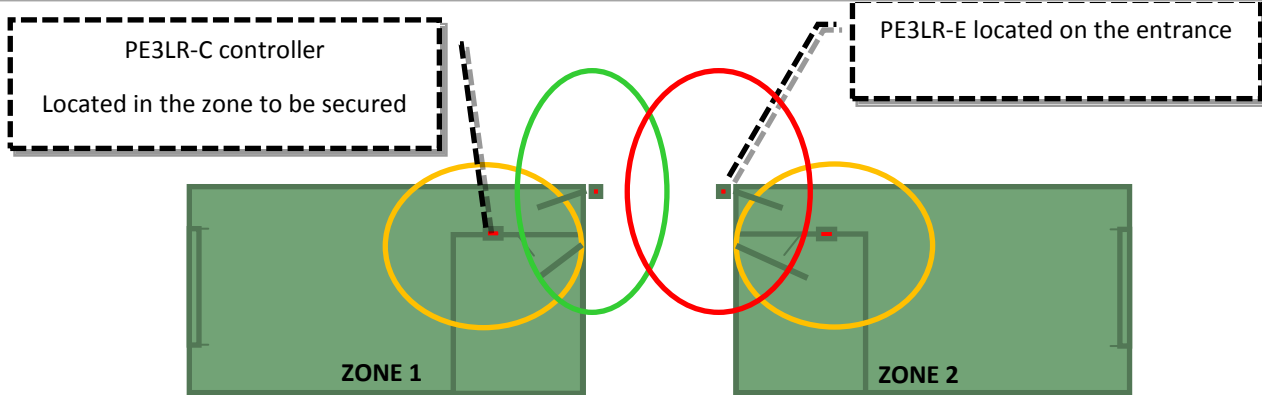


**Door controller Installation**



**External Reader Installation**





### Sensing movement direction via PE3LR-C door controller

Drawing below shows 2 separated zones, each being fitted with 1 external reader close to entrance and 1 controller/internal reader inside.

Door controller's jumper J1 is activated so that reader function gets activated.

Door controller's jumper J4 is deactivated so that access control is not active on exit.

If card bearer wants to enter zone 1 with authorized card, his card is detected while

### Filtering misdetections inside the secured zone

#### Inhibiting the detection in a given area

Door controller's dipswitch J1 is activated so that reading function is active.

A switch contact of exit request is connected to the Block 4. The dipswitch J4 of door controller is deactivated to disable the access control in exit.

If card bearer being situated in zone 1 with authorized card wishes to pass the door (controlled door) of the zone without going out, his card is detected in the intersection between green and orange detection zones. The controller/internal reader will then identify the passage of PE3LR-E reader in the internal detection zone avoiding to unlock the access.

### Positioning readers of two different accesses

Two different detection ranges can be configured on PE3LR-C

The detection range in short distance (dipswitch J1 or J2 deactivated) is 1.5 m.

The detection range in long distance (dipswitch J1 or J2 activated) is 3 m.

## ADVEEZ SUPERVISED SYSTEM : connecting PE3LR & AD-CARE controllers

### TECHNICAL SPECIFICATIONS PE3LR-NT NETWORK CONTROL



PE3LR-NT

- Manage Access authorization for all card types
- Control 128 doors in Radio / RJ-45 / RS-485 mode
- In the radio mode, each Controller PE3LR-C-NT is a network access point
- Central access control management: users, credentials, readers, etc.
- Event history recording - 64000 per access controller
- Connecting the Network controller to the PC via USB cable




#### Administrative PC

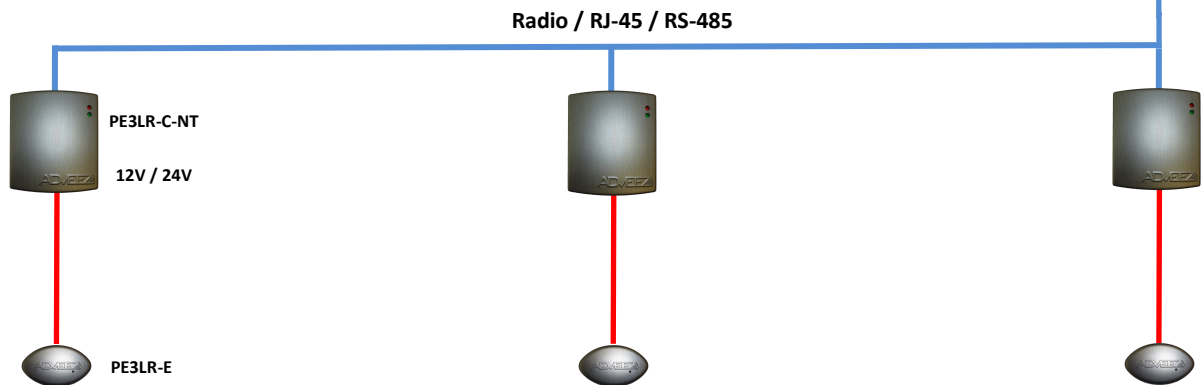


RS-485 / USB



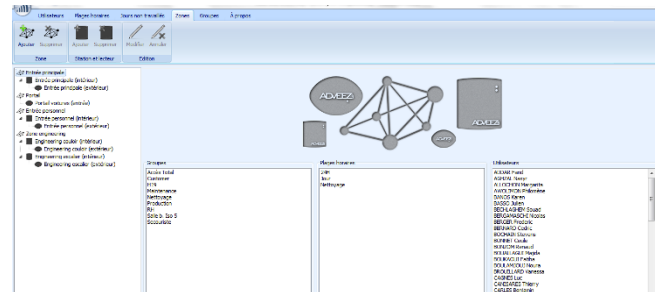
PE3LR-NT

-  \*ADVEEZ Connection
-  \*Radio / RJ-45/ RS-485 Transmission
-  \*Door control function



### ACCESS CONTROL SOFTWARE

- Program / Delete credentials, users, readers
- Manage Administrators rights
- Manage time intervals, schedules and holidays
- Configure Hands-free access control:
  - Relay activation duration
  - Detection distance



Software supplied on a USB drive with a USB cable and installation guide

