

# ARE K1 / RS232

Transponderreader for trovan™

transponders for Industrial Applications

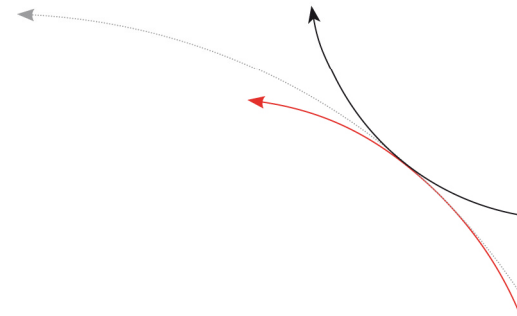
**Geschäftsführer** | Managing Director  
Reiner Wagner

**Sitz der Gesellschaft** | Headquarter  
Ulm, Germany

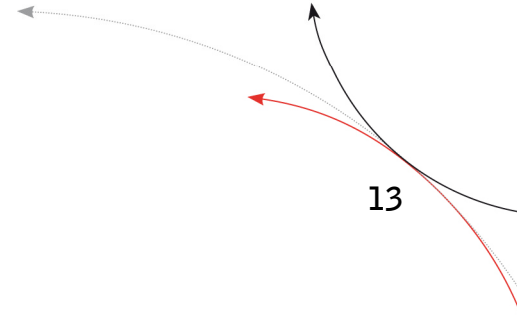
**Amtsgericht** | Local Court  
Ulm, Germany HRB 3423  
USt-IdNr. DE 183095060  
Steuer-Nr. | Tax No. 88001/11616

**Bankverbindung** | Banking account  
Sparkasse Ulm  
BLZ: 630 500 00 | Kto.-Nr.: 21072952  
SWIFT Code: SOLADES1ULM  
IBAN-Nr.: DE31 6305 0000 0021 0729 52

**AEG Identifikationssysteme GmbH**  
Hörvelsinger Weg 47, D-89081 Ulm  
P: +49 (0)731 140088-0  
F: +49 (0)731 140088-9000  
E-mail: info@aegid.de, [www.aegid.de](http://www.aegid.de)



TRANSPONDERREADER FOR TROVANTM	1
TRANSPONDERS FOR INDUSTRIAL APPLICATIONS	1
1 INTRODUCTION	4
2 TECHNICAL DATA	4
2.1 Mechanical characteristics	4
2.2 Outline dimensions	5
2.3 PCB of the ARE K1	6
2.4 Connection characteristics of the digital inputs	6
2.5 Connection characteristics of the relay outputs	6
2.6 Pin configuration of the RS 232 interface	6
2.7 Antenna cable	6
2.8 Pin Configuration of the terminal blocks (for antenna, power lines, etc.)	8
2.9 DIP-Switches	8
2.10 LED's	8
3 FIRMWARE	9
4 PUTTING INTO OPERATION	10
4.1 Putting into operation for the first time	10
4.2 Trouble shooting	10
5 ANTENNAS	11
6 WARNINGS AND CAUTIONS	11
7 FCC INFORMATION	12



8 NOTIFICATION OF CHANGES

13

## 1 Introduction

The reader is designed to read trovan™ transponders. It is a robust device for industrial applications. It is especially suited for large reading ranges. The adaption to the individual needs can be performed by selection of the most optimal antenna.

The wide range of applications for this device includes for example:

Production control in car assembly and paint shop, barrel logistics, bin identification, skilift management, etc.

Typical reading range is between 20 cm to 70 cm depending on the type of antenna and transponder.

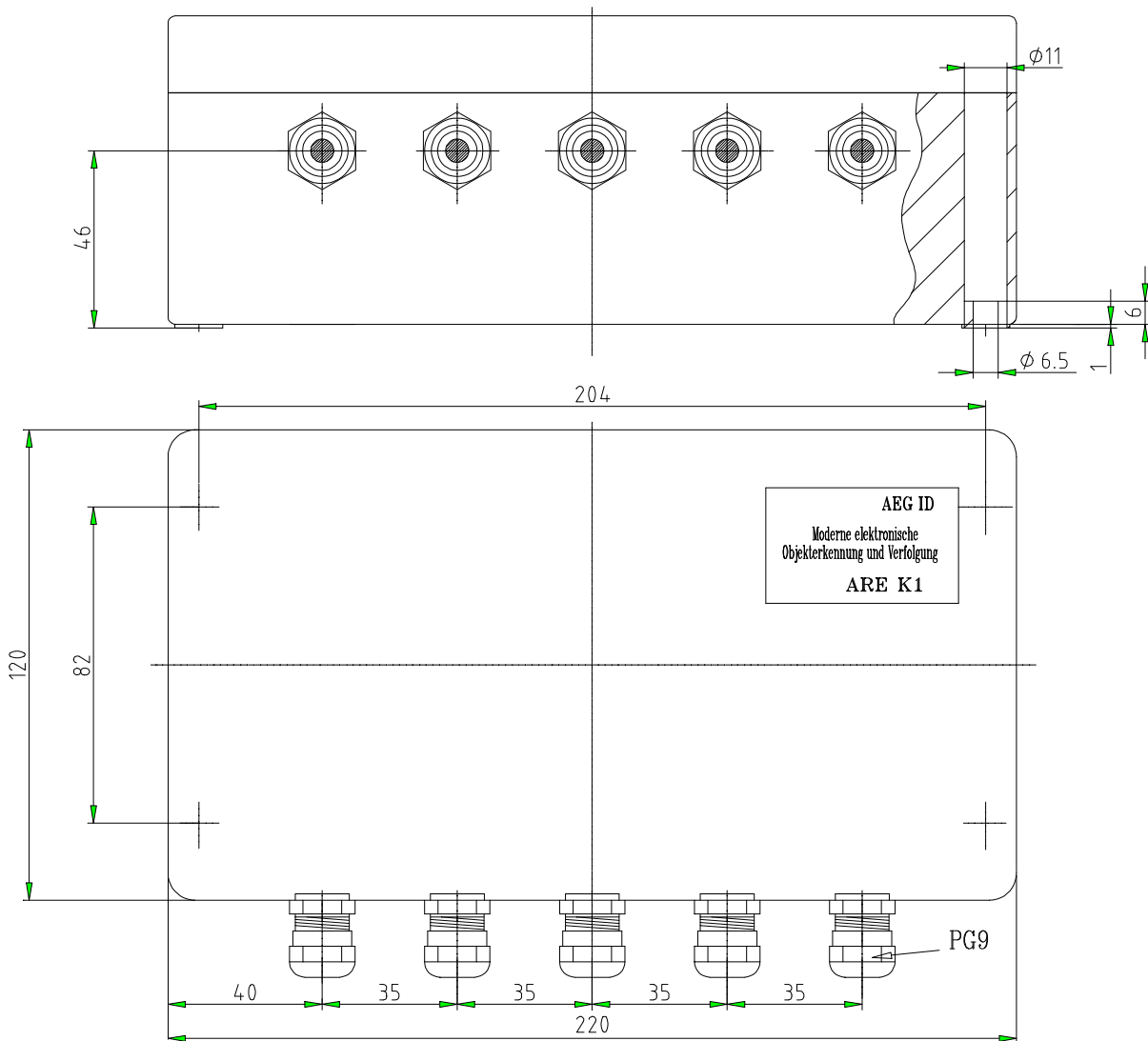
## 2 Technical data

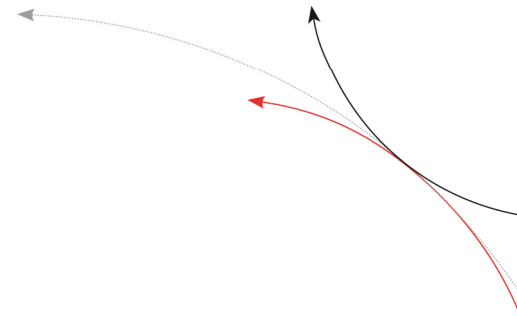
### 2.1 Mechanical characteristics

The scanner is integrated into a alloy housing with PG threads for the cable connection. When assembled correctly the housing is good for wet environment according to IP 65. The cable connection is done at the inside of the housing with help of the terminal blocks.

The dimensions of the housing are	220 x 122 x 80 mm
The weight is approximately	1,8 kg
Storage and operation temperature:	-20° till +70°C
Humidity;	95% at +50°C (not condensing) 70% at +70°C (not condensing)

## 2.2 Outline dimensions





## 2.3 PCB of the ARE K1

Input power:	24 V(18....30V)
Average input current (active antenna AAN FK2 included):	1 A max
Stanby input current (antenna not active)	0,07 A
PC interface:	2 wire RS 232
Fuse: 1,6 A/250 V inert	
Number of Inputs (galvanic disconnected):	1
Number of Outputs:	2
Reading time:	50ms using default settings
Reading error rate <sup>1</sup> :	<1ppm

## 2.4 Connection characteristics of the digital inputs

The reader is equipped with an galvanic disconnected digital input. The positive edge causes a trigger signal. The input voltage is 24 V.

## 2.5 Connection characteristics of the relay outputs

Relay 24 V/1 A/1 change over switch  
The switch conditions can be modified by software parameters.

## 2.6 Pin configuration of the RS 232 interface

Using the 9 pin Sub-D connector (i.e. for PC) make the following connections:

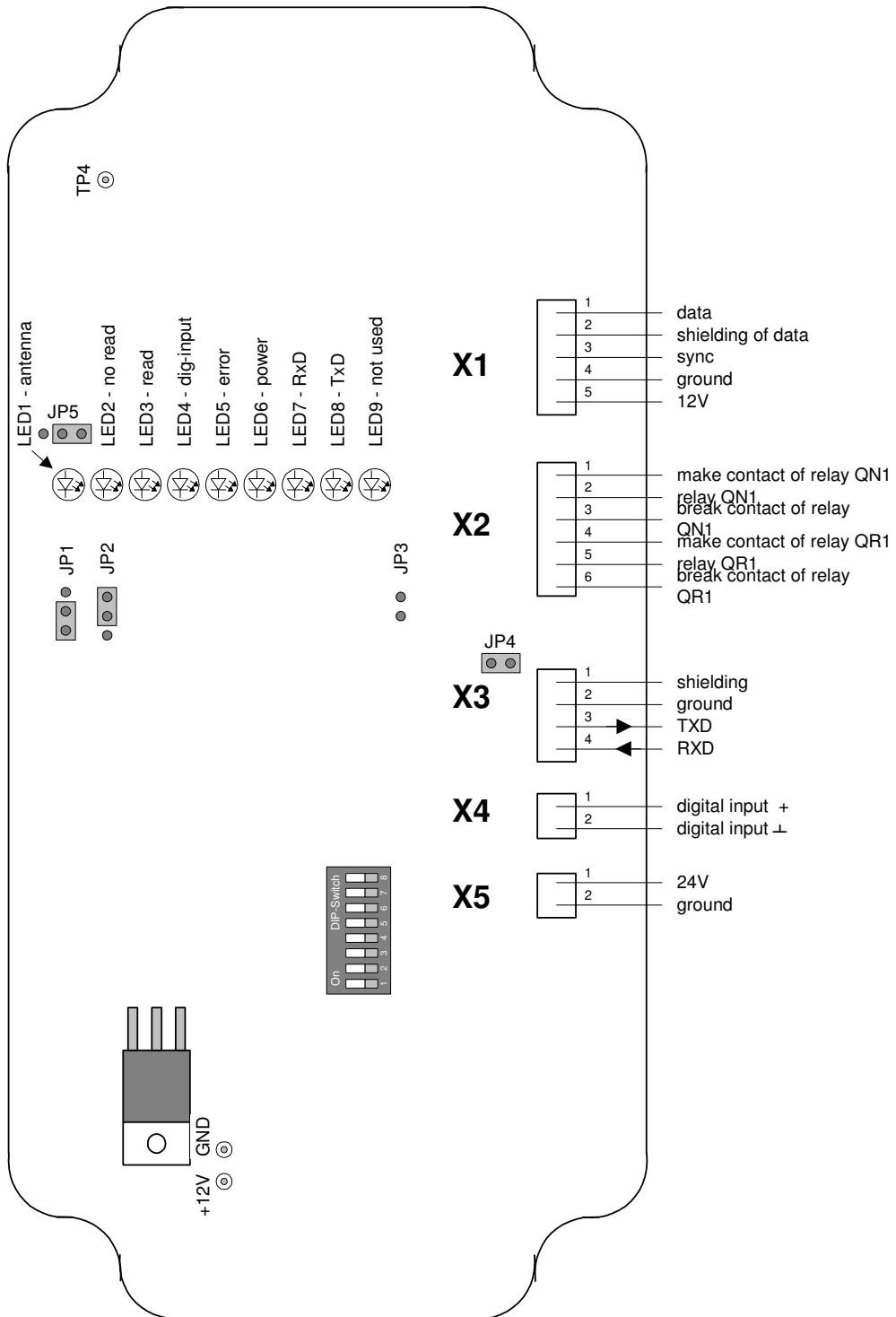
- pin 1 of X3 with housing of sub-D connector (shielding)
- pin 2 of X3 with pin 5 of sub-D connector (ground)
- pin 3 of X3 with pin 2 of sub-D connector (transmitter line of the reader)
- pin 4 of X3 with pin 3 of sub-D connector (receiver line of the reader)

Interface parameters: 19200 baud, 8N1

## 2.7 Antenna cable

cable type: see chapter. Maximum recommended cable length between antenna and reader box: 5m.  
Other cable length are available on enquiry.

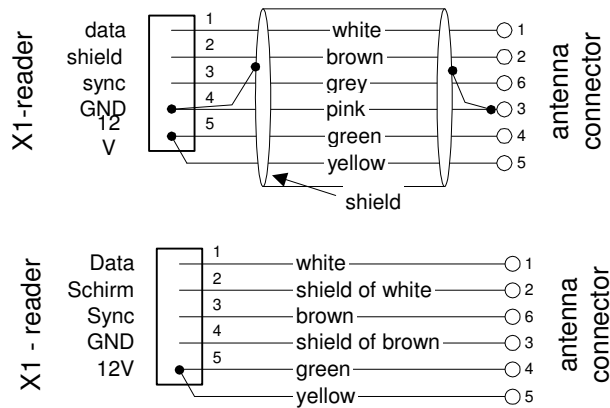
<sup>1</sup> definition of the reading error rate: The reader is set to the default values (i.e. NRD1, NID1, TOR5, MD2...). A transponder is located stationarily within the optimal antenna field (signal level is at least 250mV above noise level). The reader is triggered 1,000,000 times using the GT command. The total number of wrong readings is zero.



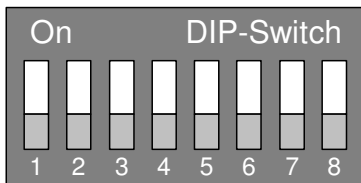
pin configuration of the PCB

## 2.8 Pin Configuration of the terminal blocks (for antenna, power lines, etc.)

- a) using LiY-LiYCY-Y 2+2x0,5 (delivered until march 2001)
- b) using Li2YCY (TP) 3x2x0,34 (delivered from march 2001)



## 2.9 DIP-Switches



In normal condition (ex work) all DIP-switches are set OFF (down).

If switch 1 is in position ON, the default values (see chapter 3 - firmware) are loaded out of the EPROM at a cold start (when reader is put in operation).  
DIP-switches 2 ... 8 have no function.

## 2.10 LED's

There are several LED's inside of the reader housing on the PCB. The functions of these LED's are:

- LED 1 on when antenna is operated.
- LED 2 on when last read was not successful.
- LED 3 on when last read was a success.
- LED 4 on as long as the digital input is high.
- LED 5 on when a hardware error was detected.
- LED 6 flashing as long as the reader is powered and the microprocessor is working properly.
- LED 7 on as long as commands were received on the RS 232 interface.
- LED 8 on as long as information is transmitted from the RS.232 interface.



### 3 Firmware

The reader supports ASB (AEG ID standard set of instructions). When delivered the reader's configuration is set into the operation mode 2 (readings triggered by serial interface).

The reader can be set to the operation mode 0 (continuous operation) or to the operation mode 1 (triggered by external input).

The parameters NRD and NID should only be changed after consulting the manufacturer.

The following commands are supported by the reader

command-code	function	action on interface	Compability with ASB1.0
DIAG	diagnosis / state of the reader	state or error message	no
GT	read transponder (get tag)	transponder number	yes
INIT	load basic configuration	boot message / <CR>	yes
RST	warm start	boot message / <CR>	yes
VER	Output version number	version number	yes
VS	Output of all parameter values	List of parameters	yes
VSAVE	store current configuration	ok	yes

The parameters which can be modified are:

com- mand- code	function	universally defined pa- rameters (ASB 1.0)	valid parame- ter values for ARE K1	default-values
MD	mode of operation	0 .. 2	0 .. 2	2 (triggered by interface)
BD	baud rate	0 .. 3	0 .. 3	2 (19200baud)
EC	echo	0, 1	0, 1	0 (off)
CN	suppression of NoRead	0, 1	0 .. 2	0 (output FFFFFFFFFF)
CID	filter function for multiply read IDs	0, 1	0, 1	0 (filter off)
NID	number of identical IDs per reading cycle	0, 1	0, 1	1 (two out of two)
NRD	superimposition of telegrams	0 .. 2	0 .. 2	1 (two telegrams)
QN1	digital output QN1	0 .. 2	0 .. 2	2 (controlled by reading process)
QR1	digital output QR1	0 .. 2	0 .. 2	2 (controlled by reading process)
TOR	timeout parameter for unsuccessful reading	0...9	0...255	5 (500ms)
ALGO	algorithm (type of transponder)	-	0 .. 2	1 (trovan read only)
PM	type of protocol	-	0, 1	0 (ASCII-protocol)

For more details please see the manual „Command Set for ARE K1“.

## 4 Putting into operation

### 4.1 Putting into operation for the first time

- a) Connect the device to a 24 V DC source which is able to provide a minimum of 1 A. Connect the antenna with the device. Connect a Personal Computer or equivalent to the device via the RS 232 interface. Please assure the interface is set to the right baud rate.
- b) Establish a connection to the reader (parameter: 19200 baud, 8N1) by using an appropriate software (for example Windows terminal program). Test the configuration of the reader with the command VS.
- c) If the device is in operating mode 2, each reading has to be started using the GT command transmitted on the serial interface. If the device is in operating mode 0, the scanner will send transponder numbers to the computer, as long as a transponder is in the active antenna field.
- d) After the device is successfully tested as described above, you can set the reader configuration as needed. Details how to change the configuration of the scanner are described in the ASB description.

### 4.2 Trouble shooting

Should the reader not work as desired, please check the following:

- a) Is the configuration of the reader as wanted? Check with help of the command VS!
- b) Is the configuration not known, the baud rates of reader and terminal set different?  
Restore the basic setting of the parameters values as follows!  
Put DIP-switch 1 ON, make a cold start by interrupting the power supply, put DIP-switch 1 OFF again. Now all parameter values are set to the default values, the reader will work in normal condition. Attention! All settings are temporary. This means they are lost after switching of the reader. Make the setting permanent using the command VSAVE.
- c) Is the antenna defect or not properly connected? (In that case LED 2 is not on although the reader is in read mode)
- d) The transponder is not in the active antenna field. Bring the transponder closer to the antenna.
- e) Antenna mounting is wrong (for example on a metal plate). In such a case, it can happen that the radiated antenna power is consumed by eddy currents in nearby metal structures. An indication for such situation is an exceptional high current consumption of the reader.  
Noise can also reduce the read range.
- f) High frequency fields radiated by other devices interfere with the reader communication. Please check if such devices are near to the antenna or the antenna cables. Typical devices which interfere on the reading range are for example: some monitors for computers, switched power supplies, electrical motors, etc. Please remove such devices or remove the radiated interfering field by proper grounding.
- g) If the mechanical configuration of metal piecparts can not be changed and or not suitable for proper readings. Please check, if with a different antenna better reading results can be obtained. Also electrical insulation for metal parts against each other can help to reduce the eddy current effect.
- f) If the noise resistance or reading frequency of the reader was reduced by changing the parameters NID or NRD, please return the reader to the preset configuration of the manufacturer.
- g) LED5 is on indicating an hardware failure. If a reset after checking all above points does not help return the device for repair.

## 5 Antennas

The following antennas are suitable for this reader:

- a) high power plate antenna AAN FK6 (only choice for USA)
- b) high power plate antenna AAN FK2 / FK3
- c) rod antenna AAN FK0

The reader with above antennas was tested against the requirements according ETS 300683 and EN 55022 class B.

It is possible that antennas of other manufacturers may fit to the device. However, if connecting such non original manufacturer antennas to the device, the warranty will get lost. Also a separate operation permission by the local state administration might be required.

### Special models

The standard device is equipped with an RS 232 interface.

On request there are special models available which support the interface with one of the following interfaces instead of the RS 232:

- Modbus +
- Interbus S
- Profibus DP
- CAN
- RS485

## 6 Warnings and cautions

- Y When using the original AEG ID antennas suited for that device, the combination of antenna and reader have the German permission for operation. Please check, if special permissions are required at the place of operation.
- Y This reader is an active electrical transmission system and radiates in the frequency range of approximately 124 kHz. When connecting a defect or a not suited antenna to the device the radiated power can be higher than 42dBµA/m (measured at 10 m distance). The operator is responsible that people at risk are not endangered by the device.
- Y Do not operate the device with open housing, as otherwise there is a danger, that positions with dangerous voltage can be touched.
- Y Never operate the device with defect antenna cables. The antenna cables may conduct dangerous voltages. When disconnecting an antenna cable please assure that the device is turned off and the cable was grounded for a short time before touching it. Otherwise stored energy of the antenna may cause harm.
- Y The device should only be opened by trained personal when switched off.

### Y **Caution!** Y

Never mount or place the antenna on extended metal parts. Do not bring another antenna very near at the operated antenna (second antenna operated or not). In both cases there is a risk, that the antenna may be destroyed. Such defects are not covered by the warranty.

## 7 FCC Information

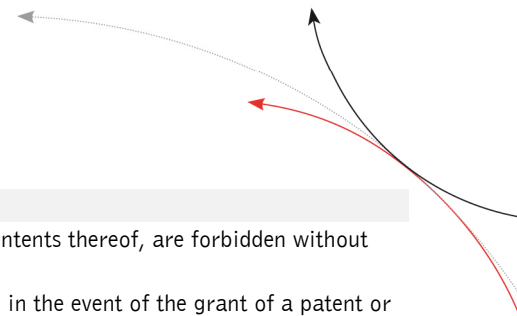
### Federal Communications Commissions (FCC) Statement

15.21

You are cautioned that changes or modifications not expressly approved by the part responsible for compliance could void the user's authority to operate the equipment.

15.105(a)

This equipment has been tested and found to comply with the limits for a Class A digital device, pursuant to Part 15 of the FCC Rules. These limits are designed to provide reasonable protection against harmful interference when the equipment is operated in a commercial environment. This equipment generates, uses, and can radiate radio frequency energy and, if not installed and used in accordance with the instruction manual, may cause harmful interference to radio communications. Operation of this equipment in a residential area is likely to cause harmful interference in which case the user will be required to correct the interference at his own expense.



Copying of this document and giving it to others and the use or communication of the contents thereof, are forbidden without express authority. Offender are liable to the payment of damages. All rights are reserved in the event of the grant of a patent or the registration of a utility modul or design.

AEG Idenfikationssysteme GmbH  
Hörvelsinger Weg 47  
D-89081 Ulm

Tel: 0049-(0)731/140088-0  
Fax: 0049-(0)731/140088-9000  
e-mail : [sales@aegid.de](mailto:sales@aegid.de)  
[www.aegid.de](http://www.aegid.de)

## 8 notification of changes

<i>change no</i>	<i>date</i>	<i>description of change</i>	<i>version</i>	<i>editor</i>
10/01	08/22.01	<ul style="list-style-type: none"> <li>• connection of serial interface</li> <li>• operating mode ex work now MD2</li> <li>• supplemetation: commands ALGO and PM</li> </ul>	06	
	10.08.10	<ul style="list-style-type: none"> <li>• Format</li> </ul>	07	
	05/18/16	<ul style="list-style-type: none"> <li>• FCC Information</li> </ul>	08	
	06/22/16	<ul style="list-style-type: none"> <li>• FCC Information correction</li> </ul>	09	MK
	10/05/16	<ul style="list-style-type: none"> <li>• FCC Information correction</li> </ul>	10	MK