

**FOR MODEL:  
4.0 AR**



# ***RECUMBENT USER'S GUIDE***

# INTRODUCTION

**CONGRATULATIONS** and **THANK YOU** for your purchase of this AFG bike!

Whether your goal is to win races or simply enjoy a fuller, healthier lifestyle, an AFG bike can help you attain it – adding club-quality performance to your at-home workouts, with the ergonomics and innovative features you need to get stronger and healthier, faster. Because we're committed to designing fitness equipment from the inside out, we use only the highest quality components. It's a commitment we back with one of the strongest frame-to-brake warranty packages in the industry.

You want exercise equipment that offers the most comfort, the best reliability and the highest quality in its class.

**AFG delivers.**

## TABLE OF CONTENTS

<i>Important Precautions</i>	4
<i>Assembly</i>	5
<i>Before You Begin</i>	16
<i>Bike Operation</i>	17
<i>Conditioning Guidelines</i>	23
<i>Troubleshooting &amp; Maintenance</i>	30
<i>Limited Warranty</i>	34
<b>CONTACT INFORMATION</b>	<b>Back Panel</b>

## IMPORTANT PRECAUTIONS

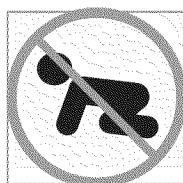
### SAVE THESE INSTRUCTIONS

Read all instructions before using this bike. When using an electrical product, basic precautions should always be followed, including the following: Read all instructions before using this bike. It is the responsibility of the owner to ensure that all users of this bike are adequately informed of all warnings and precautions. If you have any questions after reading this manual, contact Customer Tech Support at the number listed on the back panel of this manual.



To reduce the risk of burns, fire, electrical shock or injury to persons:

- If you experience chest pains, nausea, dizziness, or shortness of breath, stop exercising immediately and consult your physician before continuing.
- Maintain a comfortable pace. Do not sprint above 125 rpms on this machine.
- To maintain balance, it is recommended to keep a grip on the handlebars while exercising, mounting or dismounting the machine.
- Do not wear clothes that might catch on any part of the bike.
- Do not turn pedals by hand.
- Make sure seat is secure before each use.
- Do not insert or drop any object into any opening.
- Unplug bike before moving or cleaning it. To clean, wipe surfaces down with soap and slightly damp cloth only; never use solvents. (See MAINTENANCE)
- This bike should not be used by persons weighing more than 325 pounds. Failure to comply will void the warranty.
- This bike is intended for in-home use only. Do not use this bike in any commercial, rental, school or institutional setting. Failure to comply will void the warranty.
- Do not use bike in any location that is not temperature controlled such as but not limited to: garages, porches, pool rooms, bathrooms, car ports or outdoors. Failure to comply may void the warranty.
- Use the bike only as described in this manual.



At NO time should pets or children under the age of 12 be closer to the bike than 10 feet.  
At NO time should children under the age of 12 use the bike.  
Children over the age of 12 should not use the bike without adult supervision.

It is essential that your bike is used only indoors, in a climate controlled room. If your bike has been exposed to colder temperatures or high moisture climates, it is strongly recommended that the bike is warmed up to room temperature before first time use. Failure to do so may cause premature electronic failure.

## ASSEMBLY

### IMPORTANT: READ THESE SAFETY INSTRUCTIONS BEFORE USE!



There are several areas during the assembly process of a bike that special attention must be paid. It is very important to follow the assembly instructions correctly and to make sure all parts are firmly tightened. If the assembly instructions are not followed correctly, the bike could have frame parts that are not tightened and will seem loose and may cause irritating noises. To prevent damage to the bike, the assembly instructions must be reviewed and corrective actions should be taken.

### UNPACKING

Unpack the product where you will be using it. Place the product on a level flat surface. It is recommended that you place a protective covering on your floor. During each assembly step, ensure that ALL nuts and bolts are in place and partially threaded in before completely tightening any ONE bolt.

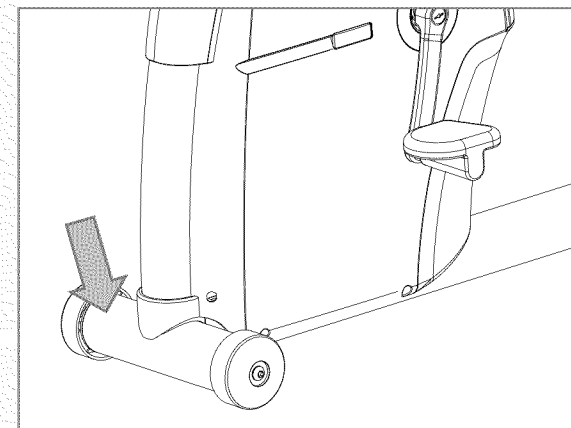
**NOTE:** A light application of grease may aid in the installation of hardware. Any grease, such as lithium bike grease is recommended.

Before proceeding, find your bike's serial number located on the front stabilizer tube and enter it in the space provided below. Also locate the model name which is located on the front plastics.

### ENTER YOUR SERIAL NUMBER AND MODEL NAME IN THE BOXES BELOW:

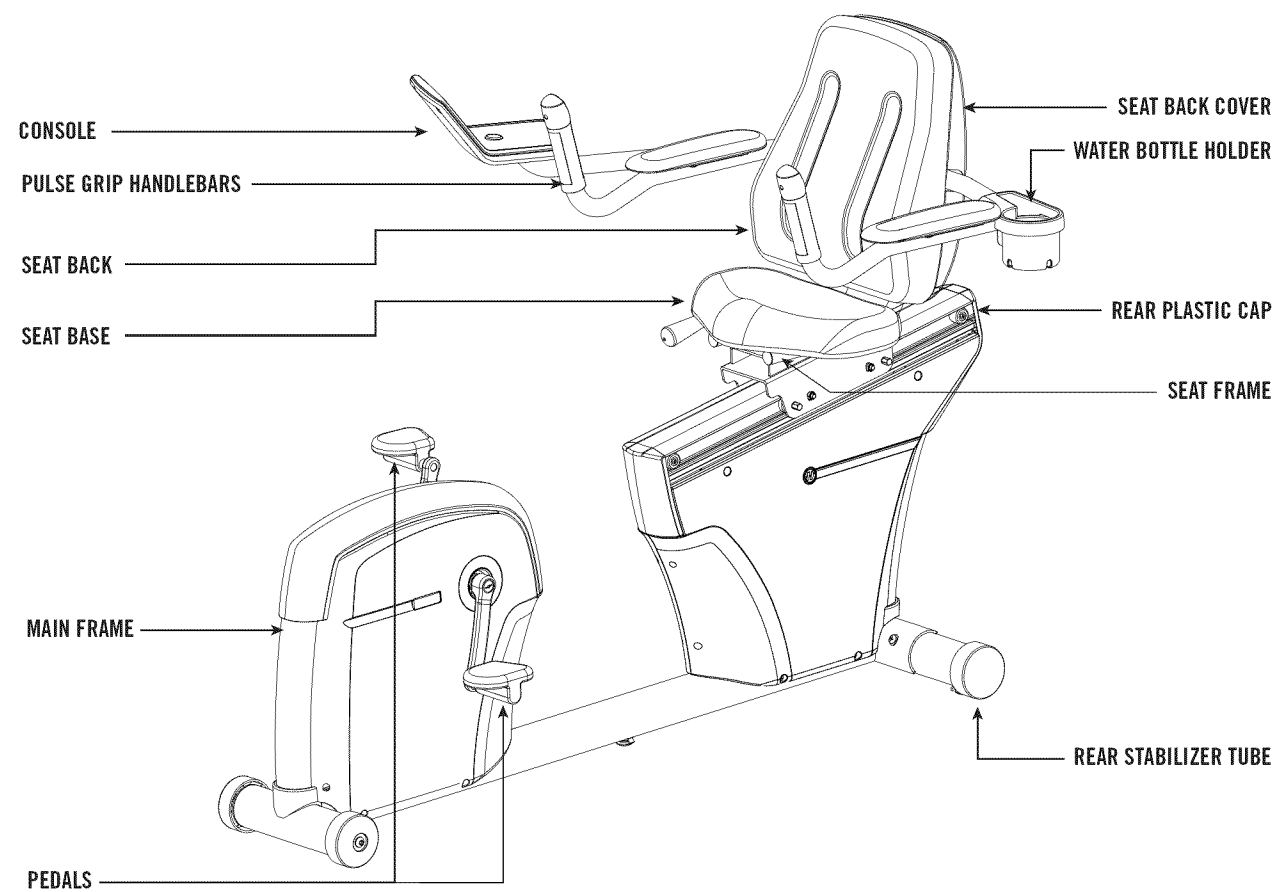
SERIAL NUMBER:

MODEL NAME:



\* Refer to the SERIAL NUMBER and MODEL NAME when calling for service.

\* Also enter this serial number on your Warranty Card.

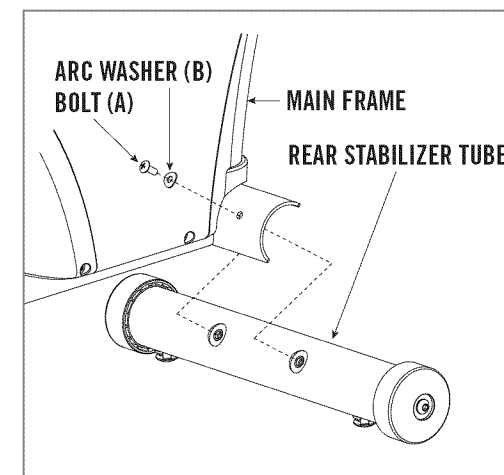
**TOOLS INCLUDED**

- 5mm Allen Wrench
- 13/15mm Flat Wrench
- Phillip Screwdriver
- 5mm T Wrench

**PARTS INCLUDED**

- |   |   |
|---|---|
| <input type="checkbox"/> 1 Console          | <input type="checkbox"/> 1 Rear Stabilizer Tube |
| <input type="checkbox"/> 2 Pedals           | <input type="checkbox"/> 1 Frame                |
| <input type="checkbox"/> 1 Seat Back        | <input type="checkbox"/> 1 Pulse Grip Handlebar |
| <input type="checkbox"/> 1 Seat Back Cover  | <input type="checkbox"/> 1 Seat Frame           |
| <input type="checkbox"/> 1 Seat Base        | <input type="checkbox"/> 1 Water Bottle Holder  |
| <input type="checkbox"/> 7 Hardware Bags    | <input type="checkbox"/> 1 Water Bottle         |
| <input type="checkbox"/> 1 Rear Plastic Cap |   |

If you have questions or if there are any missing parts, contact Customer Tech Support.  
Contact information is located on the back panel of this manual.

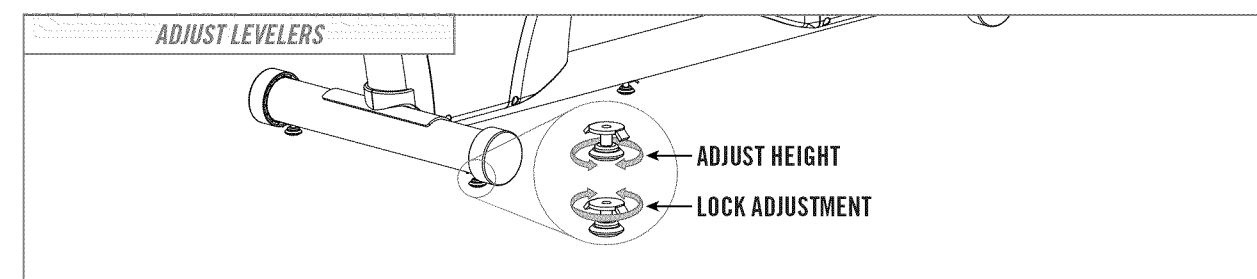
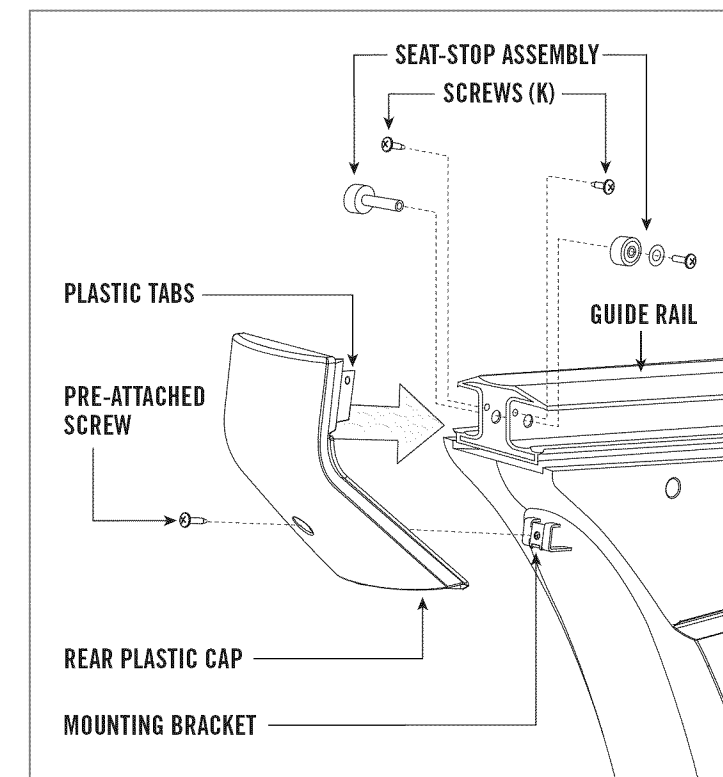
**ASSEMBLY STEP 1**

- A) Open **HARDWARE BAG FOR STEP 1**
- B) Attach the **REAR STABILIZER TUBE** to the **MAIN FRAME** using 2 **BOLTS (A)** and 2 **ARC WASHERS (B)**

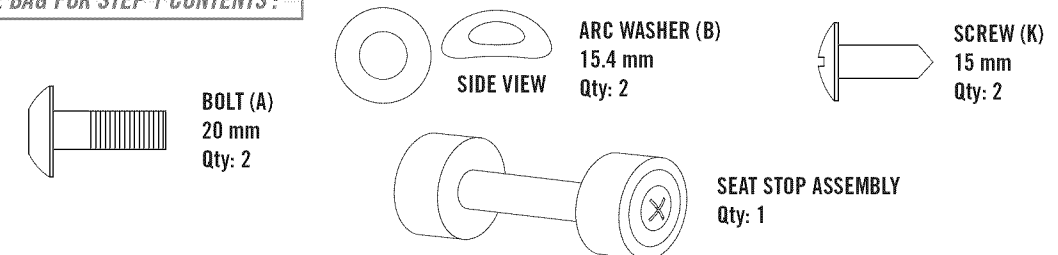
- C) Remove the **PRE ATTACHED SCREW** from the **MOUNTING BRACKET**.

- D) Attach the **REAR PLASTIC CAP** to the **MAIN FRAME** using 2 **SCREWS (K)** and the **PRE ATTACHED SCREW**.  
**NOTE:** Make sure **PLASTIC TABS** are positioned on the inside of the **GUIDE RAIL**.

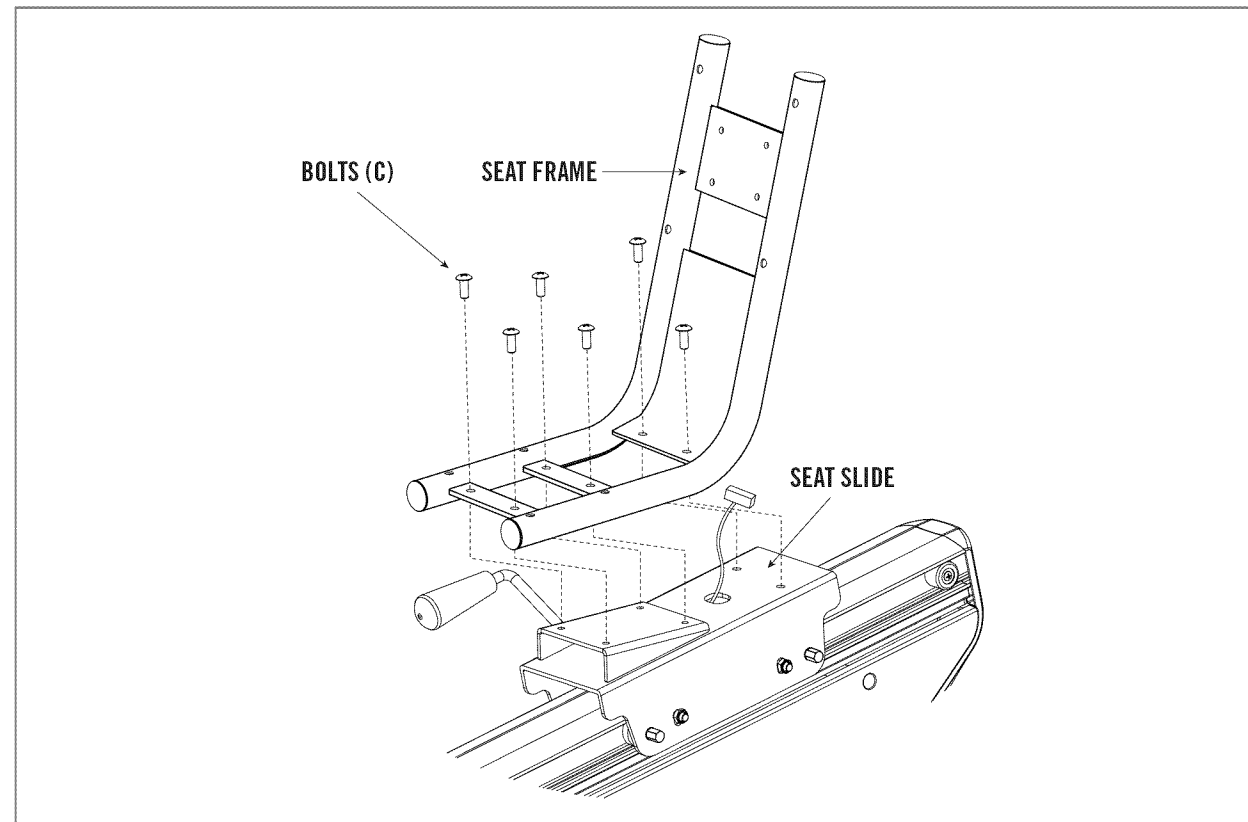
- E) Remove one of the rubber bumpers from the **SEAT STOP ASSEMBLY**. Slide the **SEAT STOP ASSEMBLY** through the **GUIDE RAIL** and re-attach the rubber bumper to the **SEAT STOP ASSEMBLY** using the screw and washer.



- F) Adjust 3 **PRE-ATTACHED LEVELERS** so that the bike does not rock and is level on the floor.

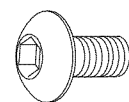
**HARDWARE BAG FOR STEP 1 CONTENTS:**

## ASSEMBLY STEP 2



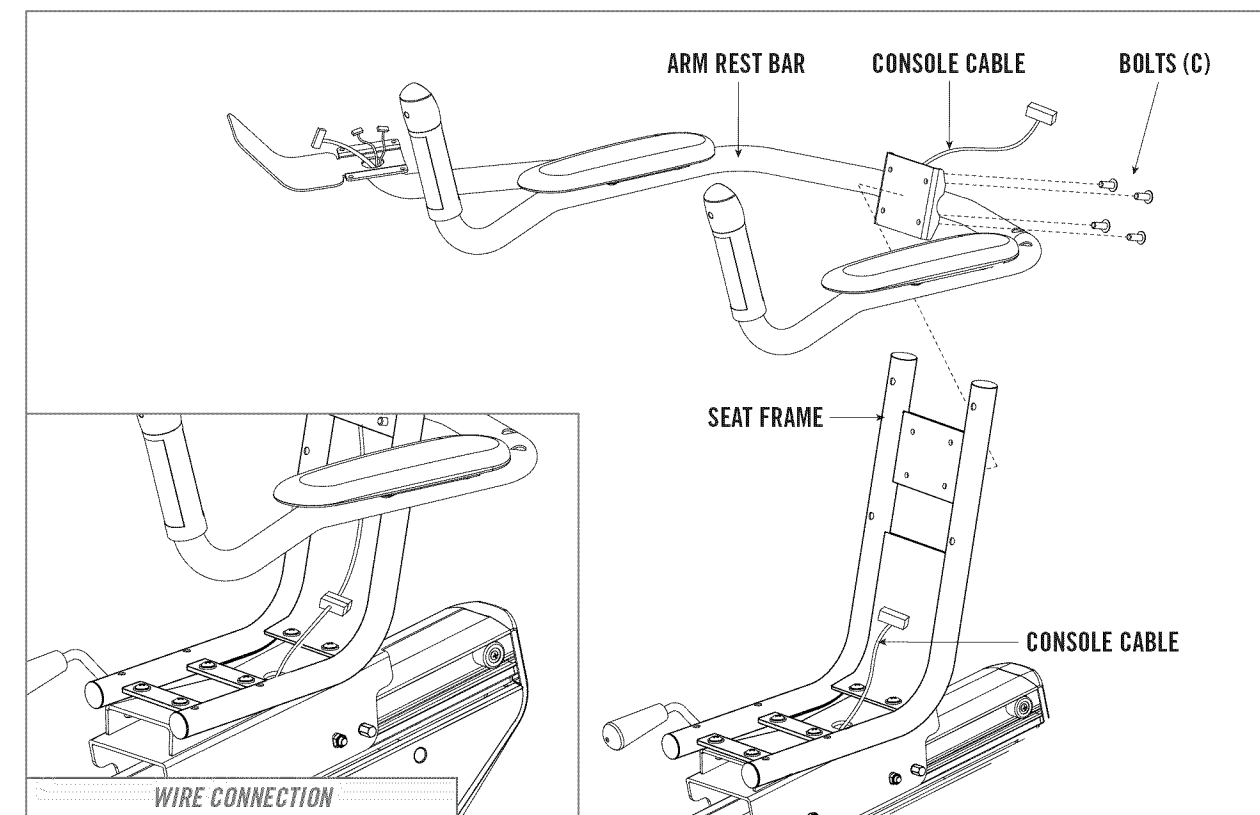
- A) Open **HARDWARE BAG FOR STEP 2**.
- B) Attach the **SEAT FRAME** to the **SEAT SLIDE** using 6 **BOLTS (B)**.

## HARDWARE BAG FOR STEP 2 CONTENTS:



**BOLT (C)**  
15 mm  
Qty: 6

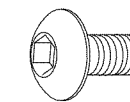
## ASSEMBLY STEP 3



- A) Open **HARDWARE BAG FOR STEP 3**.
- B) Attach **ARM REST** to **SEAT FRAME** using 4 **BOLTS (C)**.
- C) Attach the **CONSOLE CABLE** from the rear of the recumbent to the **CONSOLE CABLE** from the **ARM REST BAR**.

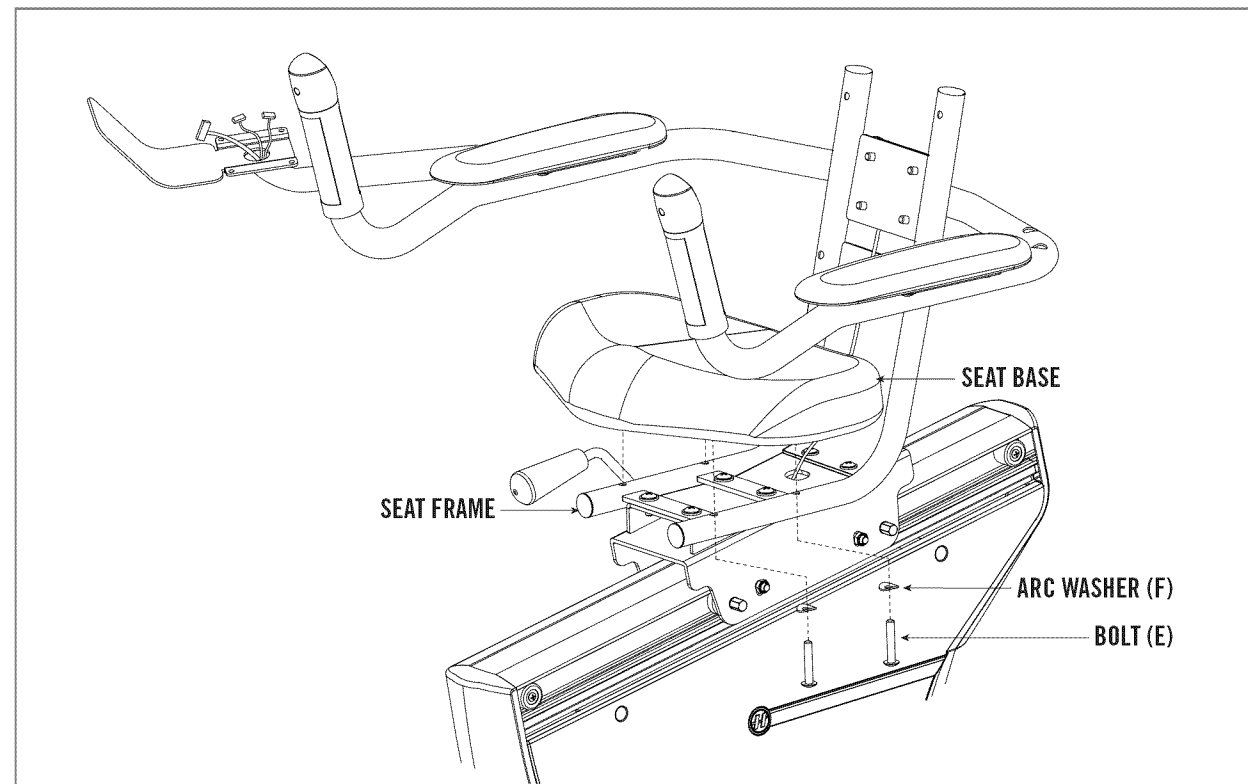
Note: Tuck in wires as shown. Be sure that the **PULSE GRIP WIRES** will not be crushed when adjusting the seat back and forth.

## HARDWARE BAG FOR STEP 3 CONTENTS:



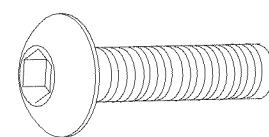
**BOLT (C)**  
15 mm  
Qty: 4

## ASSEMBLY STEP 4



- A) Open **HARDWARE BAG FOR STEP 4**.
- B) Attach the **SEAT BASE** to the **SEAT FRAME** using 4 **BOLTS (E)** and 4 **ARC WASHERS (F)**.

## HARDWARE BAG FOR STEP 4 CONTENTS :

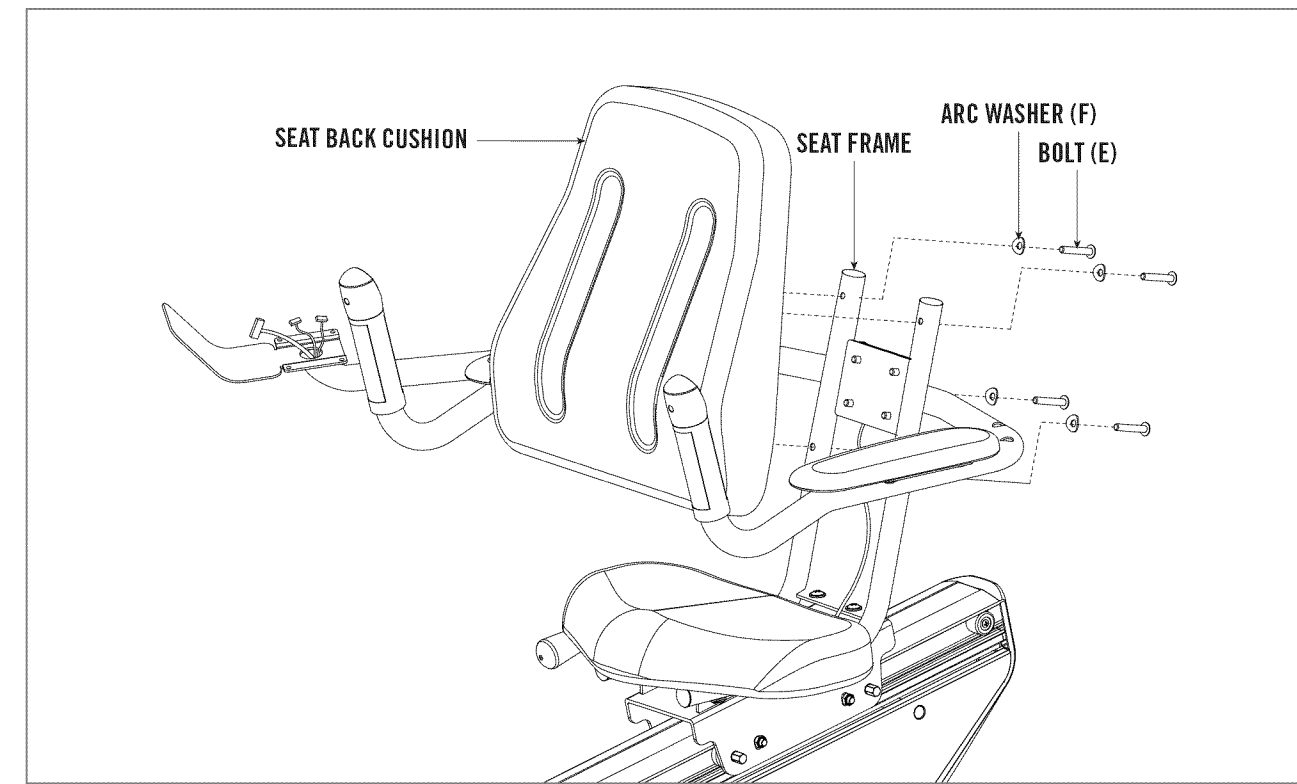


**BOLT (E)**  
45 mm  
Qty: 4



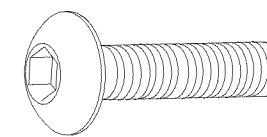
**ARC WASHER (F)**  
15.4 mm  
Qty: 4

## ASSEMBLY STEP 5



- A) Open **HARDWARE BAG FOR STEP 5**.
- B) Attach the **SEAT BACK CUSHION** to the **SEAT FRAME** using 4 **BOLTS (E)** and 4 **ARC WASHERS (F)**.

## HARDWARE BAG FOR STEP 5 CONTENTS :

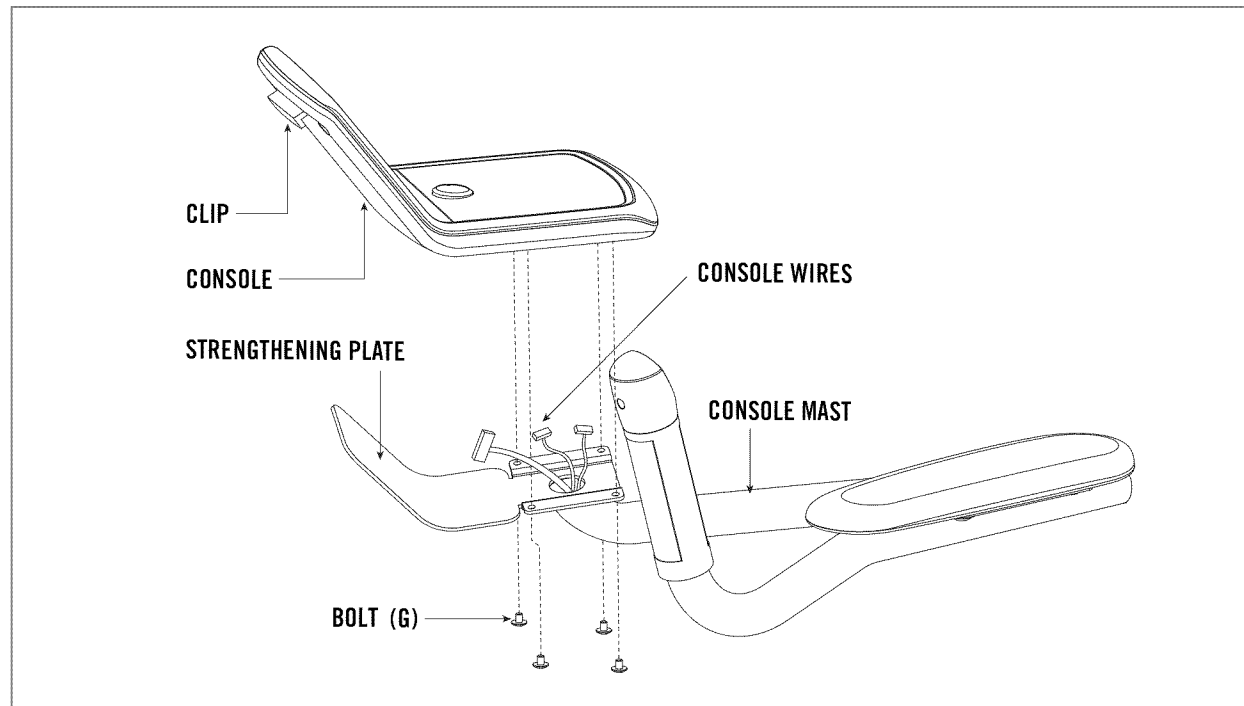


**BOLT (E)**  
45 mm  
Qty: 4



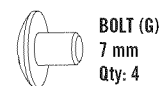
**ARC WASHER (F)**  
15.4 mm  
Qty: 4

## ASSEMBLY STEP 6



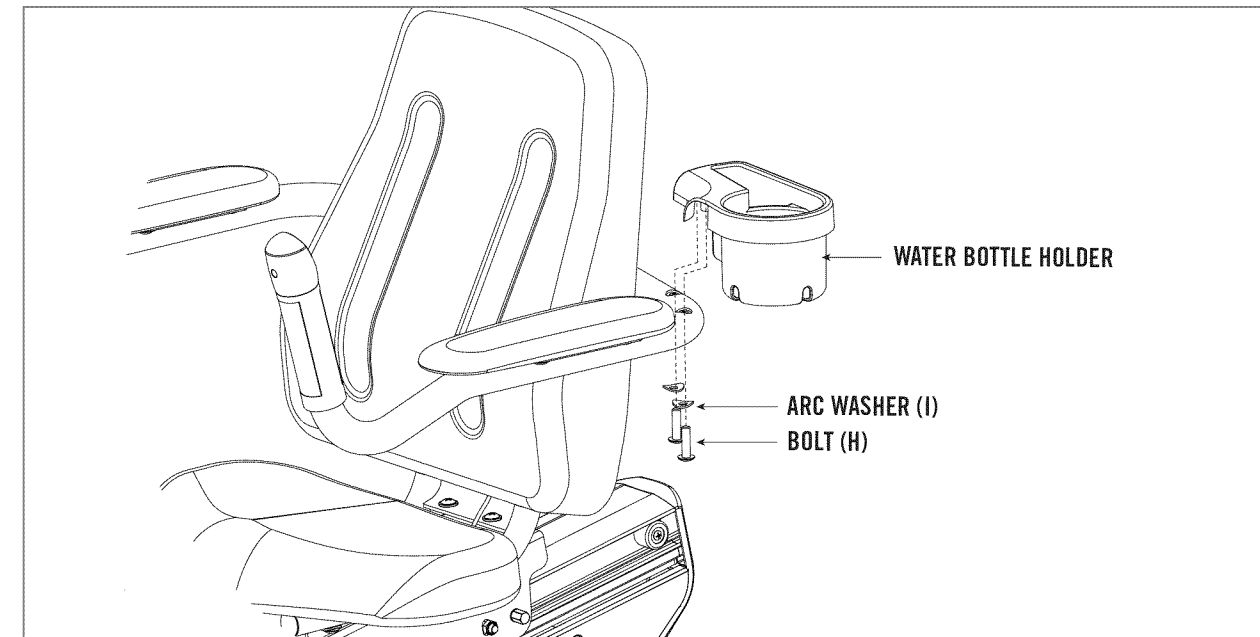
- A) Open **HARDWARE BAG FOR STEP 6**.
- B) Plug the **CONSOLE MAST WIRES** into the bottom of the **CONSOLE**.
- C) Carefully tuck the **CONSOLE WIRES** into the **CONSOLE MAST** before attaching the **CONSOLE**.  
**NOTE: DO NOT PINCH WIRES!**
- D) Attach the **CONSOLE** to the **CONSOLE MAST** using 4 **BOLTS (G)**.  
**NOTE:** Make sure the strengthening plate is inserted into the **CLIP** on the back of the console before tightening the screws.

## HARDWARE BAG FOR STEP 6 CONTENTS :



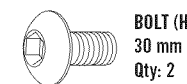
**BOLT (G)**  
7 mm  
Qty: 4

## ASSEMBLY STEP 7



- A) Open **HARDWARE BAG FOR STEP 7**.
- B) Attach the **WATER BOTTLE HOLDER** to the **ARM REST** using 2 **BOLTS (H)** and 2 **ARC WASHERS (I)**.

## HARDWARE BAG FOR STEP 7 CONTENTS :

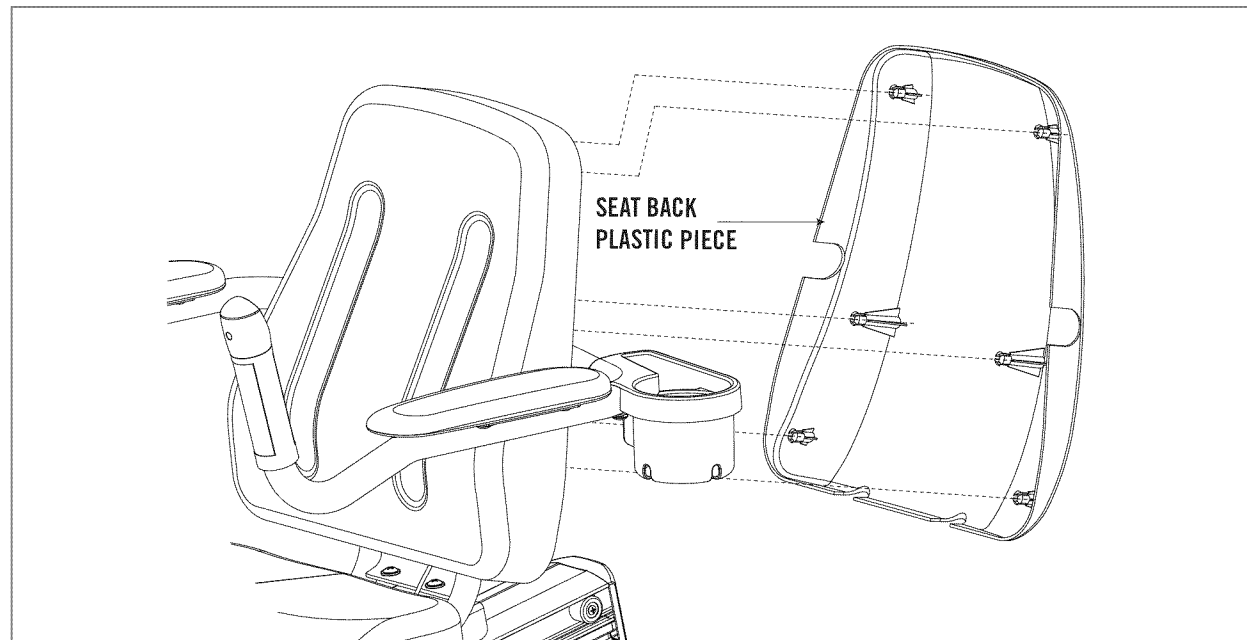


**BOLT (H)**  
30 mm  
Qty: 2



**ARC WASHER (I)**  
15.4 mm  
Qty: 2

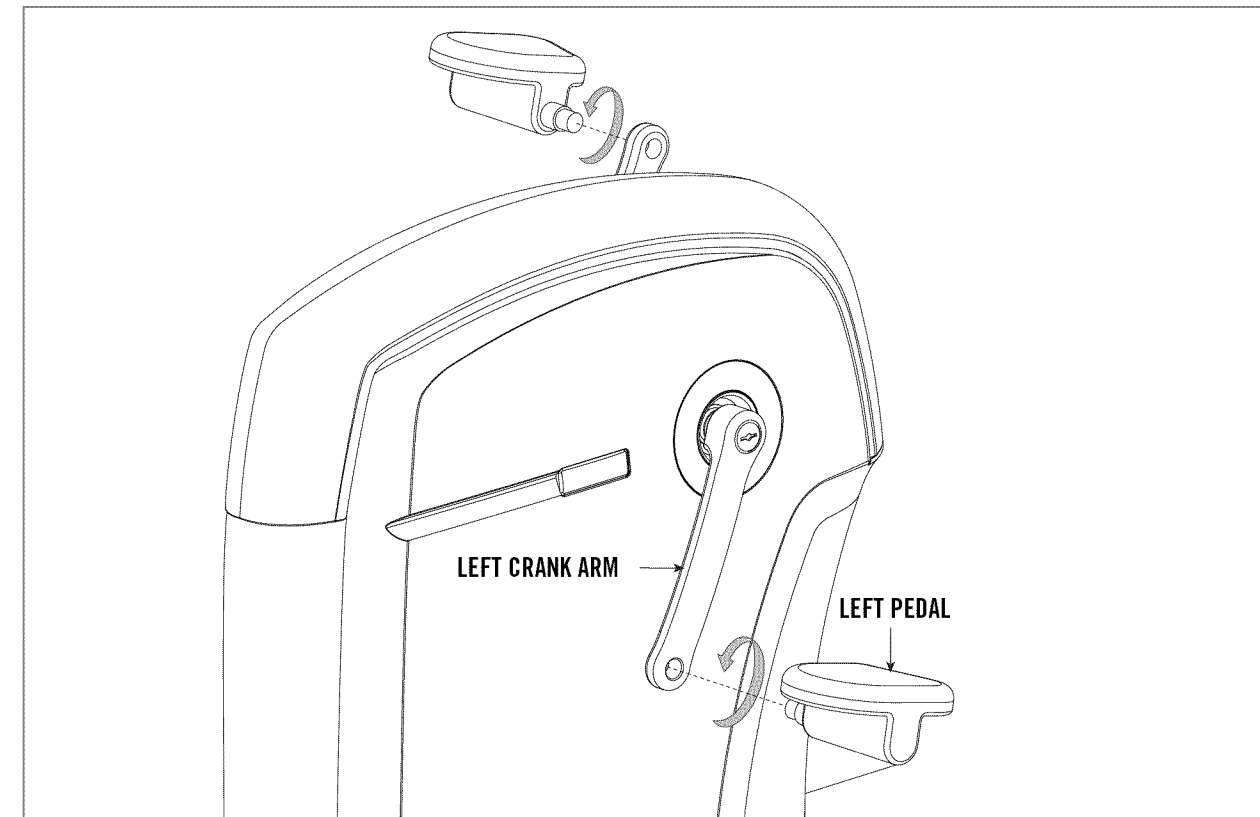
## ASSEMBLY STEP 8



**Note:** There is no hardware bag for this step. All hardware is pre-attached.

- A) Press the **SEAT BACK PLASTIC PIECE** onto the back of the **SEAT BACK**.

## ASSEMBLY STEP 9



**Note:** There is no hardware bag for this step.

- A) Attach the **RIGHT PEDAL** onto the **RIGHT CRANK ARM**, tightening it **CLOCKWISE** with the provided **13mm/15mm FLAT WRENCH**.
- B) Attach the **LEFT PEDAL** onto the **LEFT CRANK ARM**, tightening it **COUNTER-CLOCKWISE** with the provided **13mm/15mm FLAT WRENCH**.

**Note:** The **LEFT CRANK ARM** is reversed threaded so it is very important that the **LEFT PEDAL** is tightened **COUNTER-CLOCKWISE**. Tightening it the opposite way can damage the pedal or the crank arm or both.



## BEFORE YOU BEGIN

**CONGRATULATIONS!** on choosing your bike. You've taken an important step in developing and sustaining an exercise program! Your bike is a tremendously effective tool for achieving your personal fitness goals. Regular use of your bike can improve the quality of your life in so many ways.

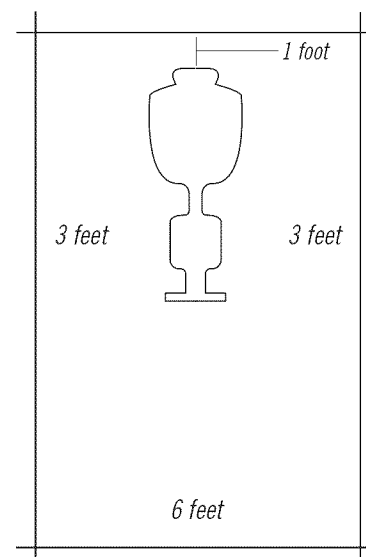
HERE ARE JUST A FEW OF THE HEALTH BENEFITS OF EXERCISE:

- Weight Loss
- A Healthier Heart
- Improved Muscle Tone
- Increased Daily Energy Levels

The key to reaping these benefits is to develop an exercise habit. Your new bike will help you eliminate obstacles that prevent you from exercising. Inclement weather and darkness won't interfere with your workout when you use your bike in the comfort of your home. This guide provides you with basic information for using and enjoying your new machine.

### LOCATION OF THE BIKE

Place the bike on a level surface. There should be 6 feet of clearance behind the bike, 3 feet on each side and one foot in front for the power cord (See diagram to the right). Do not place the bike in any area that will block any vent or air openings. The bike should not be located in a garage, covered patio, near water or outdoors.



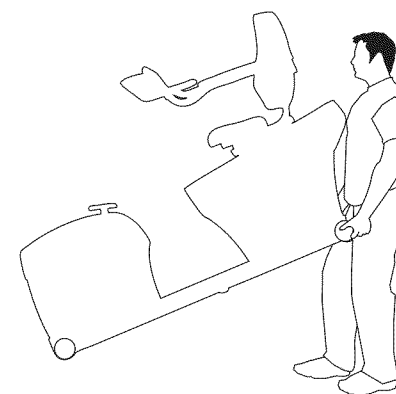
## BIKE OPERATION

### POWER

Your bike is powered by a power supply. The power must be plugged into the power jack, which is located in the front near the STABILIZER TUBE. The ON/OFF switch is located on the back of the console.



**Do not operate the bike if the power cord or plug is damaged. If the bike appears to not be working properly, do not use the bike.**



### MOVING

Your bike has a pair of transport wheels built into the FRONT STABILIZER TUBE. To move, first remove the power supply and firmly grasp the rear stabilizer tube, carefully tilt and roll.



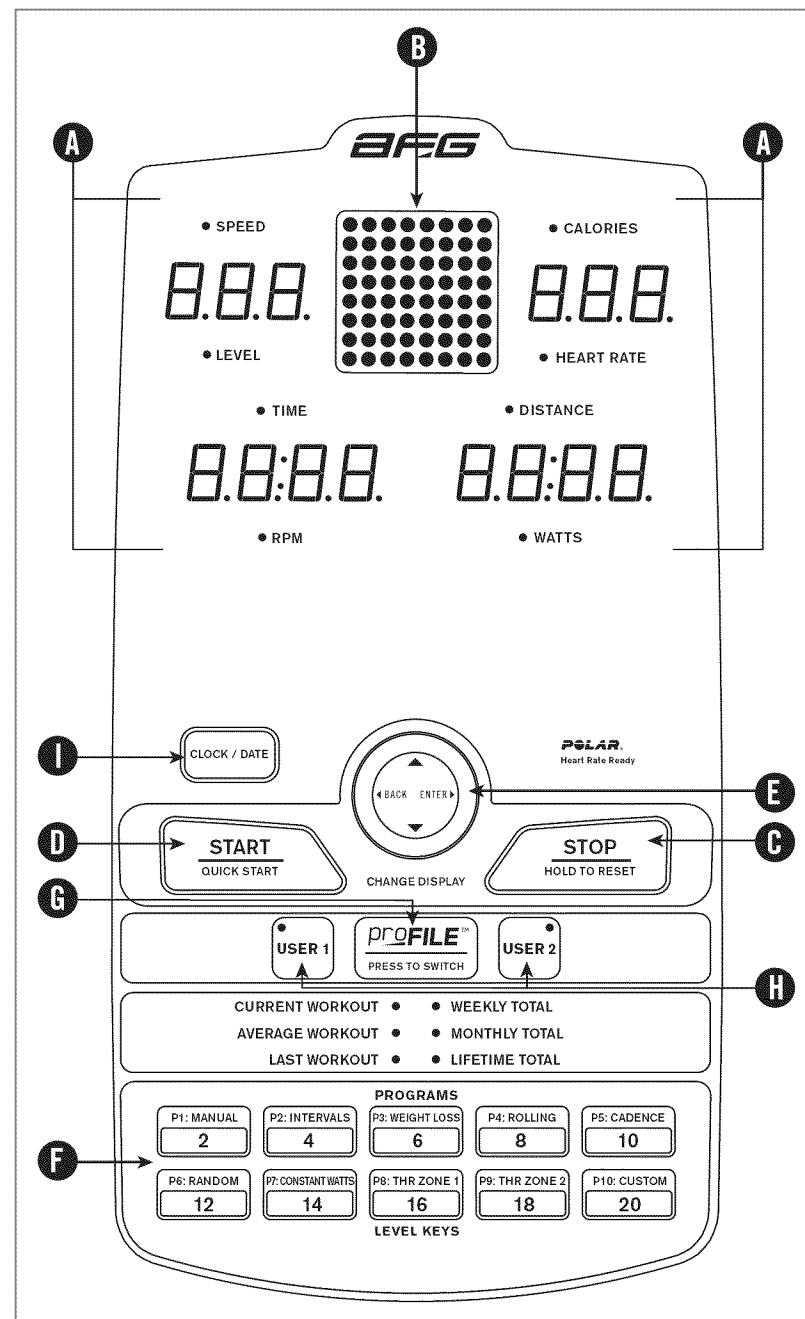
**Our bikes are well built and heavy, weighing up to 200 lbs! Use care and additional help if necessary when moving.**

### ADJUSTING THE SEAT

To adjust the seat, pull up on the handle and slide the seat to a position that puts you in a comfortable pedaling range (one that keeps a slight bend in your knee while your legs are in the extended position). Release handle to lock position in place.

**NOTE:** It is recommended that you do not sit on the seat while adjusting its position.

## 4.0 AR CONSOLE DISPLAY



G) **proFILE™ KEY:** Used to scroll through proFILE display modes.

H) **USER 1 & 2 KEYS:** Used to select which user's proFILE data to activate, access and update.

I) **CLOCK / DATE KEY:** Displays clock and date data in display windows.

### SCAN VIEWING WINDOWS

To have the display windows rotate continuously (Speed, Time, Heart Rate, Distance, Calories, Resistance Level, RPMs and Watts), hold the ENTER button for 4-5 seconds. Press ENTER again to turn off scan feature.

A) **LED DISPLAY WINDOWS:** Speed, Time, Heart Rate, Distance, Calories, Resistance Level, RPMs and Watts.

B) **LARGE LED WINDOW:** Displays program profiles.

C) **STOP:** Press to pause/end your workout. Hold for 3 seconds to reset the bike.

D) **START:** Press to begin exercising, start your program, or resume exercising after a pause.

E) **PROGRAMMING BUTTON:** Used to select Program, Level, Time, and other options. Press to change display feedback during workout.

During programming:

**ARROWS:** Scrolls through programs and adjusts program settings.

**ENTER:** Confirms setting and advances to next step.

**BACK:** Returns to previous step.

F) **QUICK PROGRAM KEYS / ONE-TOUCH LEVEL KEYS:** Used to select programs and reach desired resistance level more directly.

## CONSOLE OPERATION

### QUICK START

- 1) Turn on Bike at the back of the console.
- 2) Press **START** button and begin exercising.
- 3) Program will automatically default to **MANUAL (P1)**, the time will count up from 0:00, and the resistance will default to level 1.
- 4) The resistance level can be adjusted during the workout.

### SELECTING PROGRAMS

- 1) Select a program using the **PROGRAM QUICK KEY** and press **ENTER**.  
\*NOTE: If you press **START** instead of **ENTER**, the program will begin and count up from 0:00 for the **MANUAL** and **CONSTANT WATTS** programs, and count down from 30:00 for all other programs. The level defaults to 1.
- 2) Set **TIME** using the **ARROW KEYS** on the programming button and press **ENTER**.
- 3) Select a **LEVEL** using the **ARROW KEYS** on the programming button and press **ENTER**.
- 4) Press **START** to begin the program.

### SELECTING CONSTANT WATTS PROGRAM

- 1) Select **CONSTANT WATTS PROGRAM** using the **PROGRAM QUICK KEY** and press **ENTER**.
- 2) Set **TIME** using the **ARROW KEYS** on the programming button and press **ENTER**.
- 3) Select desired **WATTS** using the **ARROW KEYS** on the programming button and press **ENTER**.
- 4) Press **START** to begin the program.

\*NOTE: To reset the memory press and hold the **ENTER** button for 5 seconds.

## SELECTING THR ZONE PROGRAMS

- 1) Select **THR ZONE 1 OR 2 PROGRAM** using the **PROGRAM QUICK KEY** and press **ENTER**.
- 2) Set **TIME** using the **ARROW KEYS** on the programming button and press **ENTER**.
  - At this time, your program has been successfully saved into memory and can be used for future workouts.
- 3) Set desired **HEART RATE** using the **ARROW KEYS** on the programming button and press **ENTER**.
- 4) Press **START** to begin the program.

In this program, the large LED dot matrix window displays your heart rate during exercise. The middle row represents your target heart rate (THR) and the other rows equal +/- 3 heart beats. If you are working out beneath your THR, the LEDs **BELOW** the middle row will illuminate. If you are over, the LEDs **ABOVE** the middle row will illuminate. Your current heart rate is represented by the flashing column and the window will refresh every 5 seconds.

**NOTE:** If no heart rate is detected, the large LED window will display the calories profile.

### NOTES:

- 1) There is a 4-minute warm-up built into this program at level 1 resistance.
- 2) After 4 minutes the resistance will automatically adjust to bring your heart rate within 5 beats of the target number you selected at the beginning of the program.
- 3) If there is no Heart Rate detected, the unit will not change resistance levels up or down.
- 4) If your Heart Rate is 25 beats over your Target Zone the program will shut down.
- 5) To **RESET** your program information and delete it from memory, press and hold the **ENTER** key for 5 seconds (after you have selected the **THR ZONE 1** or **2** program).

## SELECTING CUSTOM PROGRAM

- 1) Select **CUSTOM PROGRAM** using the **PROGRAM QUICK KEY** and press **ENTER**.
- 2) Set **TIME** using the **ARROW KEYS** on the programming button and press **ENTER**.
- 3) Set the **RESISTANCE LEVEL PROFILE** using the **ARROW KEYS** on the programming button and press **ENTER** after each **RESISTANCE LEVEL** is set to the desired level (repeat until all 15 segments are chosen).
  - \***NOTE:** if **BACK** is pressed on the programming button, it will take you back to previous segment.
- 4) Press **START** to begin the program.

\***NOTE:** To reset the memory press and hold the **ENTER** button for 5 seconds.

## PROGRAM PROFILES



### MANUAL

Allows you to adjust the resistance level to your preference, without a preset program.



### INTERVALS

Improves your strength, speed and endurance by automatically changing the resistance levels throughout your workout.



### WEIGHT LOSS

Promotes weight loss by raising and lowering the resistance level, while keeping you in your fat burning zone.



### ROLLING HILLS

Creates the feeling of moving up and down hills by gradually increasing and decreasing the resistance.



### CADENCE

Gradually increases resistance level to build stamina and increase endurance.



### RANDOM

Provides even more workout variety by mixing up your resistance intervals in no particular order.



### CONSTANT WATTS

Automatically adjusts resistance levels to keep your watt output at the level you select.



### THR ZONE 1 AND 2

Automatically adjusts resistance level to keep your heart rate in your desired range.



### CUSTOM (USER PROGRAM)

Design and store your own custom exercise program.

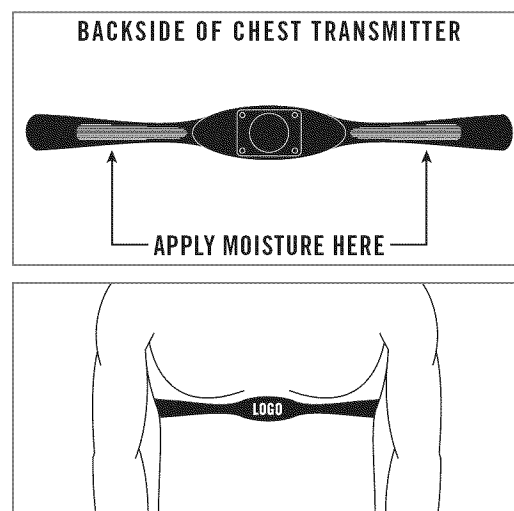
## HEART RATE

### HANDLEBARS

Place the palm of your hands directly on the grip pulse handlebars. Both hands must grip the bars for your heart rate to register. It takes 5 consecutive heart beats (15-20 seconds) for your heart rate to register. When gripping the pulse handlebars, do not grip tightly. Holding the grips tightly may elevate your blood pressure. Keep a loose, cupping hold. You may experience an erratic readout if consistently holding the grip pulse handlebars. Make sure to clean the pulse sensors to ensure proper contact can be maintained.

### WIRELESS CHEST TRANSMITTER

Prior to wearing the wireless chest transmitter on your chest, moisten the two rubber electrodes with water. Center the chest strap just below the breast or pectoral muscles, directly over your sternum, with the logo facing out. **NOTE:** The chest strap must be tight and properly placed to receive an accurate and consistent readout. If the chest strap is too loose, or positioned improperly, you may receive an erratic or inconsistent heart rate readout. **WARNING!** The heart rate function is not a medical device. Various factors may affect the accuracy of your heart rate reading. The heart rate reading is intended only as an exercise aid.



## CONDITIONING GUIDELINES

**ALWAYS CONSULT YOUR PHYSICIAN BEFORE BEGINNING AN EXERCISE PROGRAM.**

### HOW OFTEN? (Frequency of Workouts)

The American Heart Association recommends that you exercise at least 3 to 4 days per week to maintain cardiovascular fitness. If you have other goals such as weight or fat loss, you will achieve your goal faster with more frequent exercise. Whether it's 3 days or 6 days, remember that your ultimate goal should be to make exercise a lifetime habit. Many people are successful staying with a fitness program if they set aside a specific time of day to exercise. It doesn't matter whether it's in the morning before breakfast, during lunch hour or while watching the evening news. What's more important is that it's a time that allows you to keep a schedule, and a time when you won't be interrupted. To be successful with your fitness program, you have to make it a priority in your life. So decide on a time, pull out your day planner and pencil in your exercise times for the next month!

### HOW LONG? (Duration of Workouts)

For aerobic exercise benefits, it's recommended that you exercise from between 24 and 60 minutes per session. But start slowly and gradually increase your exercise times. If you've been sedentary during the past year, it may be a good idea to keep your exercise times to as little as five minutes initially. Your body will need time to adjust to the new activity. If your goal is weight loss, a longer exercise session at lower intensities has been found to be most effective. A workout time of 48 minutes or more is recommended for best weight loss results.

### HOW HARD? (Intensity of Workouts)

How hard you workout is also determined by your goals. If you use your machine to prepare for a 5K workout, you will probably work out at a higher intensity than if your goal is general fitness. Regardless of your long term goals, always begin an exercise program at low intensity. Aerobic exercise does not have to be painful to be beneficial! There are two ways to measure your exercise intensity. The first is by monitoring your heart rate (using the grip pulse handlebars or a wireless chest transmitter - may be sold separately), and the second is by evaluating your perceived exertion level (this is simpler than it sounds!).

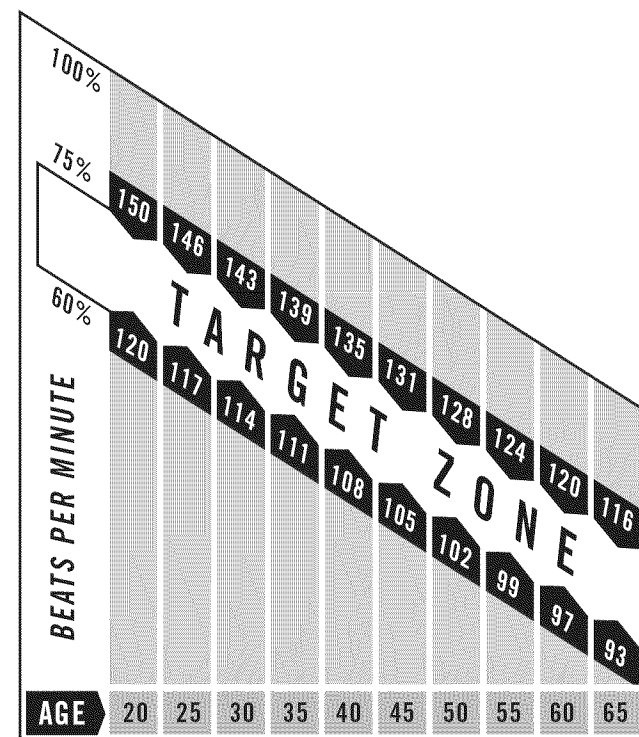
### PERCEIVED EXERTION LEVEL

A simple way to gauge your exercise intensity is to evaluate your perceived exertion level. While exercising, if you are too winded to maintain a conversation without gasping, you are working out too hard. A good rule of thumb is to work to the point of exhilaration, not exhaustion. If you cannot catch your breath, it's time to slow down. Always be aware of these warning signs of overexertion.

## TARGET HEART RATE ZONE CHART

### What is Target Heart Rate Zone?

Target Heart Rate Zone tells you the number of times per minute your heart needs to beat to achieve a desired workout effect. It is represented as a percentage of the maximum number of times your heart can beat per minute. Target Zone will vary for each individual, depending on age, current level of conditioning, and personal fitness goals. The American Heart Association recommends working-out at a Target Heart Rate Zone of between 60% and 75% of your maximum heart rate. A beginner will want to workout in the 60% range while a more experienced exerciser will want to workout in the 70-75% range. See chart for reference.



### EXAMPLE:

For a 42-year-old user: Find age along the bottom of the chart (round to 40), follow age column up to the target zone bar. Results: 60% of maximum Heart Rate = 108 Beats Per Minute, 75% of maximum Heart Rate = 135 Beat Per Minute.

**ALWAYS CONSULT YOUR PHYSICIAN BEFORE BEGINNING AN EXERCISE PROGRAM.**

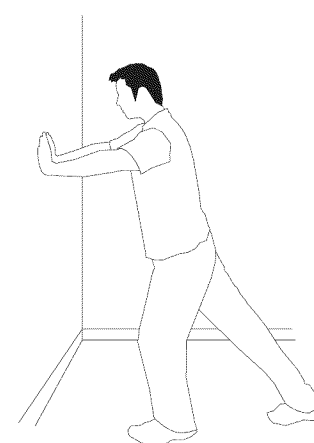
## TIPS



## STRETCHING

### STRETCH FIRST

Before using your product, it is best to take a few minutes to do a few gentle stretching exercises. Stretching prior to exercise will improve flexibility and reduce chances of exercise related injury. Ease into each of these stretches with a slow gentle motion. Do not stretch to the point of pain. Make sure not to bounce while doing these stretches.

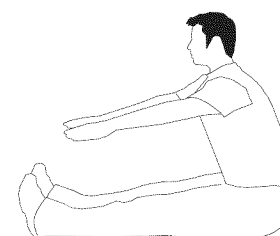
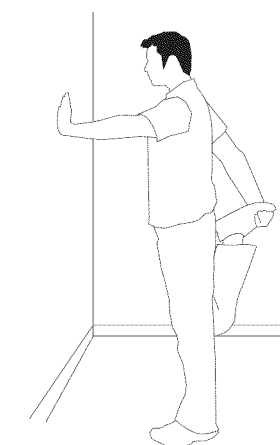


#### 1. STANDING CALF MUSCLE STRETCH

Stand near a wall with the toes of your left foot about 18" from the wall, and the right foot about 12" behind the other foot. Lean forward, pushing against the wall with your palms. Keep your heels flat and hold this position for a count of 15 seconds. Make sure that you do not bounce while stretching. Repeat on the other side.

#### 2. STANDING QUADRICEPS STRETCH

Using a wall to provide balance, grasp your right ankle with your right hand and hold your foot against the back of your thigh for 15 seconds. Repeat with your left ankle and hand.



#### 3. SITTING HAMSTRING & LOWER BACK MUSCLE STRETCH

Sit on the floor with your legs together and straight out in front of you. Do not lock your knees. Extend your fingers towards your toes and hold for a count of 15 seconds. Make sure that you do not bounce while stretching. Sit upright again. Repeat one time.

**TIPS** **THE IMPORTANCE OF WARM UP & COOL DOWN****WARM UP**

The first 2 to 5 minutes of a workout should be devoted to warming up. The warm-up will limber your muscles and prepare them for more strenuous exercise. Make sure that you warm-up on your product at a slow pace. The warm up should gradually bring your heart rate into your Target Heart Rate Zone.

**COOL DOWN**

Never stop exercising suddenly! A cool-down period of 3-5 minutes allows your heart to readjust to the decreased demand. Make sure that your cool down period consists of a very slow pace to allow your heart rate to lower. After the cool-down, repeat the stretching exercises listed above to loosen and relax your muscles.

**TIPS** **ACHIEVING YOUR FITNESS GOALS**

An important step in developing a long term fitness program is to determine your goals. Is your primary goal for exercising to lose weight? Improve muscle? Reduce stress? Prepare for the spring racing schedule? Knowing what your goals are will help you develop a more successful exercise program. Below are some common exercise goals:

- Weight Loss - lower intensity, longer duration workouts
- Improve Body Shape and Tone - interval workouts, alternate between hi and low intensities
- Increased Energy Level - more frequent daily workouts
- Improved Sports Performance - high intensity workouts
- Improved Cardiovascular Endurance - moderate intensity, longer duration workouts

If possible try to define your personal goals in precise, measurable terms, and then put your goals in writing. The more specific you can be, the easier it will be to track your progress. If your goals are long term, divide them up into monthly and weekly segments. Longer term goals can lose some of the immediate motivation benefits. Short term goals are easier to achieve. Your console provides you with several readouts that can be used to record your progress. You can track Distance, Calories or Time.

**KEEPING AN EXERCISE DIARY**

To make your personal exercise log book, photocopy the weekly and monthly log sheets, which are located on the following page and you can print them off of your computer by going to:

[www.advancedfitnessgroup.com/guides/weeklylog.pdf](http://www.advancedfitnessgroup.com/guides/weeklylog.pdf)

[www.advancedfitnessgroup.com/guides/monthlylog.pdf](http://www.advancedfitnessgroup.com/guides/monthlylog.pdf)

As your fitness improves, you can look back and see how far you've come!

**WEEKLY LOG SHEETS**

WEEK #		WEEKLY GOAL				
DAY	DATE	DISTANCE	CALORIES	TIME	COMMENTS	
SUNDAY						
MONDAY						
TUESDAY						
WEDNESDAY						
THURSDAY						
FRIDAY						
SATURDAY						
<b>WEEKLY TOTALS :</b>						

WEEK #		WEEKLY GOAL				
DAY	DATE	DISTANCE	CALORIES	TIME	COMMENTS	
SUNDAY						
MONDAY						
TUESDAY						
WEDNESDAY						
THURSDAY						
FRIDAY						
SATURDAY						
<b>WEEKLY TOTALS :</b>						

WEEK #		WEEKLY GOAL				
DAY	DATE	DISTANCE	CALORIES	TIME	COMMENTS	
SUNDAY						
MONDAY						
TUESDAY						
WEDNESDAY						
THURSDAY						
FRIDAY						
SATURDAY						
<b>WEEKLY TOTALS :</b>						

## WEEKLY LOG SHEETS

WEEK #		WEEKLY GOAL				COMMENTS
DAY	DATE	DISTANCE	CALORIES	TIME		
SUNDAY						
MONDAY						
TUESDAY						
WEDNESDAY						
THURSDAY						
FRIDAY						
SATURDAY						
<b>WEEKLY TOTALS :</b>						

WEEK #		WEEKLY GOAL				COMMENTS
DAY	DATE	DISTANCE	CALORIES	TIME		
SUNDAY						
MONDAY						
TUESDAY						
WEDNESDAY						
THURSDAY						
FRIDAY						
SATURDAY						
<b>WEEKLY TOTALS :</b>						

WEEK #		WEEKLY GOAL				COMMENTS
DAY	DATE	DISTANCE	CALORIES	TIME		
SUNDAY						
MONDAY						
TUESDAY						
WEDNESDAY						
THURSDAY						
FRIDAY						
SATURDAY						
<b>WEEKLY TOTALS :</b>						

## MONTHLY LOG SHEETS

MONTH		MONTHLY GOAL		
WEEK #	DISTANCE	CALORIES	TIME	
<b>MONTHLY TOTALS :</b>				

MONTH		MONTHLY GOAL		
WEEK #	DISTANCE	CALORIES	TIME	
<b>MONTHLY TOTALS :</b>				

MONTH		MONTHLY GOAL		
WEEK #	DISTANCE	CALORIES	TIME	
<b>MONTHLY TOTALS :</b>				

## TROUBLESHOOTING

Your AFG bike is designed to be reliable. However, if you do experience problems with your bike, please reference the troubleshooting guide listed below.

**PROBLEM:** The console does not turn on.

**SOLUTION:** Verify the following:

- The outlet the machine is plugged into is functional. Double check that the breaker has not tripped.
- The correct adapter is being used. Only use the adapter provided or authorized by AFG.
- The adapter is not pinched or damaged and is properly plugged into the outlet AND the machine.
- The power switch is turned to the ON position (may not apply to all models).
- Turn off the machine and unplug power cord. Remove the console and check that all connections to the console are secure and not damaged or pinched.

**NOTE:** If your console uses batteries, they may need to be replaced.

**PROBLEM:** The console lights up but the Time/RPM's do not count.

**SOLUTION:** Verify the following:

- Turn off machine and unplug power cord. Remove the console and check that all connections to the console are secure and not damaged or pinched.
- If doing the above does not fix the problem, the speed sensor and/or magnet may have become dislodged or damaged.

**PROBLEM:** The resistance levels seem to be incorrect, seeming too hard or too easy.

**SOLUTION:** Verify the following:

- The correct adapter is being used. Only use the adapter provided or authorized by AFG.
- Reset the console and allow the resistance to reset to the default position. Restart and retry the resistance levels.

**PROBLEM:** The bike makes a squeaking or chirping noise.

**SOLUTION:** Verify the following:

- The bike is on a level surface.
- Loosen all bolts attached during the assembly process, grease the threads, and tighten again.

## HEART RATE TROUBLESHOOTING

**PROBLEM:** There is no heart rate reading.

**SOLUTION:** Remove the console and verify that the heart rate cables are attached properly, making sure that the cables are securely inserted into the console.

**YOU MAY EXPERIENCE AN ERRATIC READOUT UNDER THE FOLLOWING CONDITIONS:**

- Gripping the heart rate handlebars too tight. Try to maintain moderate pressure while holding onto the heart rate handlebars.
- Constant movement and vibration due to constantly holding the heart rate grips while exercising.
- When you are breathing heavily during a workout.
- When your hands are constricted by wearing a ring.
- When your hands are dry or cold. Try moistening your palms or rubbing them together to warm.
- Anyone with heavy arrhythmia.
- Anyone with arteriosclerosis or peripheral circulation disorder.
- Anyone whose skin on the measuring palms is especially thick.

**NOTE:** Outside interference sources such as computers, motors and fluorescent lights may cause the heart rate reading to be erratic. Check your exercise environment for sources of interference such as high power lines, large motors, etc.

If the above troubleshooting section does not remedy the problem, discontinue use and turn the power off.

**CALL CUSTOMER TECH SUPPORT AT THE NUMBER ON THE BACK PANEL.  
WHEN YOU ARE NEAR THE EQUIPMENT**

The following information may be asked of you when you call. Please have these items readily available:

- Model Name
- Serial Number
- Date of Purchase (receipt or credit card statement)

In order for Customer Tech Support to service your bike they may need to ask detailed questions about the symptoms that are occurring. Some troubleshooting questions that may be asked are:

- How long has this problem been occurring?
- Does this problem occur with every use? With every user?
- If you are hearing a noise, does it come from the front, back or inside? What kind of noise is it (thumping, grinding, squeaking, chirping etc.)?
- If you are having a resistance problem what is occurring? Is the resistance always too hard or too easy? Does the resistance respond when pushing the buttons on the console? Does the resistance constantly cycle through the levels during the workout?
- Has the machine been maintained per the maintenance schedule?
- Does the problem occur when using the handlebars? Without using the handlebars?

Answering these and other questions will give the technicians the ability to send proper replacement parts and the service necessary to get you and your AFG bike running again!



## COMMON PRODUCT QUESTIONS

### ARE THE SOUNDS MY BIKE MAKES NORMAL?

Our bikes are some of the quietest available because they use belt drives and friction free magnetic resistance. We use the highest grade bearings and belts to minimize noise. However, because the resistance system itself is so quiet, you will occasionally hear other slight mechanical noises. Unlike older, louder technologies, there are no fans, friction belts, or alternator noises to mask these sounds on our bikes. These mechanical noises, which may or may not be intermittent, are normal and are caused by the transfer of significant amounts of energy to a rapidly spinning flywheel. All bearings, belts and other rotating parts will generate some noise which will transmit through the casing and frame. It is also normal for these sounds to change slightly during a workout and over time because of thermal expansion of the parts.

### WHY IS THE BIKE I HAD DELIVERED LOUDER THAN THE ONE AT THE STORE?

All fitness products seem quieter in a large store showroom because there is generally more background noise than in your home. Also, there will be less reverberation on a carpeted concrete floor than on a wood overlay floor. Sometimes a heavy rubber mat will help reduce reverberation through the floor. If a fitness product is placed close to a wall, there will be more reflected noise.

### HOW LONG WILL THE DRIVE BELT LAST?

The computer modeling we have done indicated virtually thousands of maintenance free hours. Belts are now commonly used in far more demanding applications such as motorcycle drives.

### CAN I MOVE THE BIKE EASILY ONCE IT IS ASSEMBLED?

Your bike has a pair of transport wheels built into the front. It is easy to move your bike by rolling it on the front transport wheels. It is important that you place your bike in a comfortable and inviting room. Your bike is designed to use minimal floor space. Many people will place their bikes facing the TV or a picture window. If at all possible, avoid putting your bike in a unfinished basement. To make exercise a desirable daily activity for you, the bike should be in a comfortable setting.

### CAN I PEDAL BACKWARDS ON MY BIKE?

You can pedal backwards on your bike, however, there will be no resistance.

## MAINTENANCE

### WHAT KIND OF ROUTINE MAINTENANCE IS REQUIRED?

We use sealed bearings throughout our bikes so lubrication is not needed. The most important maintenance step is to simply wipe your perspiration off the bike after each use.

### HOW DO I CLEAN MY BIKE?

Clean with soap and water cleaners only. Never use solvents on plastic parts.

Cleanliness of your bike and its operating environment will keep maintenance problems and service calls to a minimum. For this reason, AFG recommends that the following preventive maintenance schedule be followed.

### AFTER EACH USE (DAILY)

Turn off the bike by unplugging the power cord from the wall outlet

- Wipe down the bike with a damp cloth. Never use solvents, as they can cause damage to the bike.
- Inspect the power cord. If the power cord is damaged, contact AFG.
- Make sure the power cord is not underneath the bike or in any other area where it can become pinched or cut.



**WARNING**

To remove power from the bike, the power cord must be disconnected from the wall outlet.

### WEEKLY

Clean underneath the bike, following these steps:

- Turn off the bike
- Move the bike to a remote location.
- Wipe or vacuum any dust particles or other objects that may have accumulated underneath the bike.
- Return the bike to its previous position.

### EVERY MONTH

- Inspect all assembly bolts and pedals on the machine for proper tightness.
- Clean any debris off of the seat guide rail.

## LIMITED HOME-USE WARRANTY

### FRAME • LIFETIME

AFG warrants the frame against defects in workmanship and materials for the lifetime of the original owner so long as the device remains in the possession of the original owner. (The frame is defined as the welded metal base of the unit and does not include any parts that can be removed.)

### BRAKE • LIFETIME

#### Weight Capacity = 325 lbs

AFG warrants the brake against defects in workmanship and materials for the lifetime of the original owner so long as the device remains in the possession of the original owner.

### ELECTRONICS & PARTS • 3 YEARS\*

AFG warrants the electronic components and all original parts for a period of 3 years from the date of original purchase, so long as the device remains in the possession of the original owner.

\* By registering this product within 30 days of purchase, AFG will automatically extend the electronics and parts warranty of this product from 3 to 5 years.

### LABOR • 1 YEAR

AFG shall cover the labor cost for the repair of the device for a period of one year from the date of the original purchase, so long as the device remains in the possession of the original owner.

### EXCLUSIONS AND LIMITATIONS

Who is covered:

- The original owner and is not transferable.

What IS covered:

- Repair or replacement of a defective motor, electronic component, or defective part and is the sole remedy of the warranty.

What IS NOT covered:

- Normal wear and tear, improper assembly or maintenance, or installation of parts or accessories not originally intended or compatible with the equipment as sold.
- Damage or failure due to accident, abuse, corrosion, discoloration of paint or plastic, neglect, theft, vandalism, fire, flood, wind, lightning, freezing, or other natural disasters of any kind, power reduction, fluctuation or failure from whatever cause, unusual atmospheric conditions, collision, introduction of foreign objects into the covered unit, or modifications that are unauthorized or not recommended by AFG.
- Incidental or consequential damages. AFG is not responsible or liable for indirect, special or consequential damages, economic loss, loss of property, or profits, loss of enjoyment or use, or other consequential damages of whatsoever nature in connection with the purchase, use, repair or maintenance of the product.
- Equipment used for commercial purposes or any use other than a single family or Household, unless endorsed by AFG for coverage.
- Equipment owner or operated outside the US and Canada.
- Delivery, assembly, installation, setup for original or replacement units or labor or other costs associated with removal or replacement of the covered unit.
- Any attempt to repair this equipment creates a risk of injury. AFG is not responsible or liable for any damage, loss or liability arising from any personal injury incurred during the course of, or as a result of any repair or attempted repair of your fitness equipment by other than an authorized service technician. All repairs attempted by you on your fitness equipment are undertaken AT YOUR OWN RISK and AFG shall have no liability for any injury to the person or property arising from such repairs.

### SERVICE/RETURNS

- In-home service is available within 150 miles of the nearest authorized repair center (Mileage beyond 150 miles from an authorized service center is the responsibility of the consumer).
- All returns must be pre-authorized by AFG.
- AFG's obligation under this warranty is limited to replacing or repairing, at AFG's option, the same or comparable model at one of its authorized service centers.
- An AFG authorized service center must receive all equipment for which a warranty claim is made. This equipment must be received with all freight and other transportation charges prepaid, accompanied by sufficient proof of purchase.
- Replacement units, parts and electronic components reconditioned to As-new Condition by AFG or its vendors may sometimes be supplied as warranty replacement and constitute fulfillment of warranty terms.
- This warranty gives you specific legal rights, and your rights may vary from state to state.

## ***CUSTOMER TECH SUPPORT***

*For fast and friendly service, please contact one of our trained customer technicians via phone, email or our website.*

*Customer Tech Support Hotline: 1-877-GOAFG55*

*Email: [comments@advancedfitnessgroup.com](mailto:comments@advancedfitnessgroup.com)*

*Website: [www.advancedfitnessgroup.com](http://www.advancedfitnessgroup.com)*

*Every employee at AFG takes pride in providing you with a high quality product. We want to know if you have a problem and we want to have an opportunity to correct it for you.*

***NOTE:*** *Please read the TROUBLESHOOTING section before contacting Customer Tech Support. To receive additional product information, visit us at [www.advancedfitnessgroup.com](http://www.advancedfitnessgroup.com)*



1620 Landmark Dr,  
Cottage Grove, WI 53527  
Tel: 1.877.GOAFG55