

User manual



MiniBass

Portable Mini Bluetooth Speaker

1. Features

- Aluminum Shell, exquisite design
- Easy Operating, take it along with you at anywhere
- Compatible with all Bluetooth enabled media players
- Built-in high quality louder speaker and advanced audio
- processing technology, transfer superior clear sound performance
- LED indication for charging, pairing and playing
- Built-in high capacity lithium battery, long play time
- USB charging cable with micro USB included
- 3.5mm jack audio cable

2. Specifications

- Bluetooth Version: CSR 4.0
- Bluetooth Range: 10M

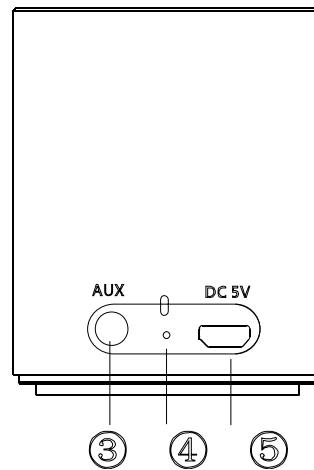
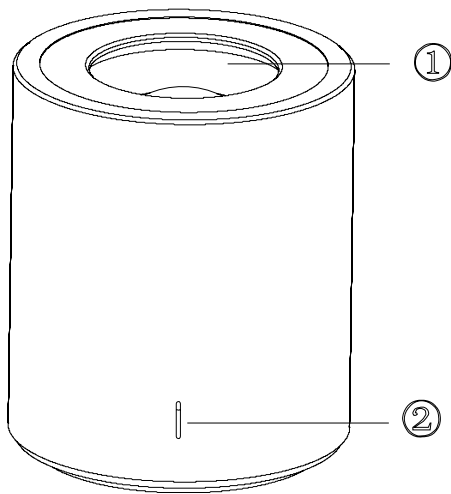
- Output Power: 4mW ± 1dBm
- Charge time: 2~3hours
- Working time: 4-6hours
- Driver Unit : 4Ω 3W 1.5 in
- Frequency Response: 40Hz-20KHz
- S/N Ratio: >65dB
- Distortion: <1%
- Battery Capacity: 400mAh
- Product Net Weight: 90g
- Product Dimension: Ø45x56mm

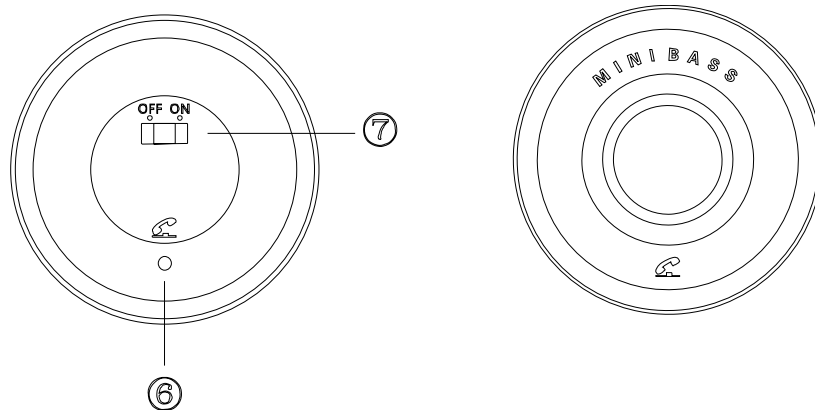
3. Included in this package

(Please check the accessories included in this package after purchasing)

minibass Bluetooth Speaker	1 pc
3.5mm jack audio cable	1 pc
USB cable	1 pc
User manual	1 pc

4. Operation Instruction





- ① Speaker Driver Unit
- ② Bluetooth Indicator Light. When Bluetooth is not connected, the light will keep flashing. when Bluetooth is connected, the light will be always on.
When playing music, the light begins to flash slowly.
When having a call, the light will not be on
- ③ AUX Input
- ④ Charging Indicator Light
- ⑤ DC 5V Micro USB 5V Charging Input Port
- ⑥ Play Button Play/Pause Music/ Answer Call/End Call
- ⑦ OFF/ON Power Switch
- ⑧ When the battery is low, the device will make a warning sound. Please Slide the power switch to OFF before charging the device.

FCC ID: RH8-MINIBASS

This device complies with Part 15 of the FCC Rules. Operation is subject to the following two conditions: (1) this device may not cause harmful interference, and (2) this device must accept any interference received, including interference that may cause undesired operation.

FCC Caution: Any changes or modifications not expressly approved by the party responsible for compliance could void the user's authority to operate the equipment.

NOTE: This equipment has been tested and found to comply with the limits for a Class B digital device, pursuant to Part 15 of the FCC Rules. These limits are designed to provide reasonable protection against harmful interference in a residential installation. This equipment generates, uses and can radiate radio frequency energy and, if not installed and used in accordance with the instructions, may cause harmful interference to radio communications. However, there is no guarantee that interference will not occur in a particular installation. If this equipment does cause harmful interference to radio or television reception, which can be determined by turning the equipment off and on, the user is encouraged to try to correct the interference by one or more of the following measures:

- Reorient or relocate the receiving antenna.
- Increase the separation between the equipment and receiver.
- Connect the equipment into an outlet on a circuit different from that to which the receiver is connected.
- Consult the dealer or an experienced radio/TV technician for help.