

FOR CAR USE ONLY/NUR FÜR AUTOMOBIL GEBRAUCH/POUR APPLICATION AUTOMOBILE/PARA USO EN AUTOMÓVILES/SOLO PER L'UTILIZZO IN AUTOMOBILE/ENDAST FÖR BILBRUK

ALPINE®

TME-M740BT

BLUETOOTH INTEGRATED VGA MONITOR



- **OWNER'S MANUAL**
Please read before using this equipment.
- **BEDIENUNGSANLEITUNG**
Lesen Sie diese Bedienungsanleitung bitte vor Gebrauch des Gerätes.
- **MODE D'EMPLOI**
Veuillez lire avant d'utiliser cet appareil.
- **MANUAL DE OPERACIÓN**
Léalo antes de utilizar este equipo.
- **ISTRUZIONI PER L'USO**
Si prega di leggere prima di utilizzare l'attrezzatura.
- **ANVÄNDARHANDLEDNING**
Innan du använder utrustningen bör du läsa igenom denna användarhandledning.

EN

DE

FR

ES

IT

SE

ALPINE ELECTRONICS MARKETING, INC.
1-1-8 Nishi Gotanda,
Shinagawa-ku,
Tokyo 141-0031, Japan
Phone 03-5496-8231

ALPINE ELECTRONICS OF AMERICA, INC.
19145 Gramercy Place, Torrance,
California 90501, U.S.A.
Phone 1-800-ALPINE-1 (1-800-257-4631)

ALPINE ELECTRONICS OF CANADA, INC.
777 Supertest Road, Toronto,
Ontario M3J 2M9, Canada
Phone 1-800-ALPINE-1 (1-800-257-4631)

ALPINE ELECTRONICS OF AUSTRALIA PTY. LTD.
161-165 Princes Highway, Hallam
Victoria 3803, Australia
Phone 03-8787-1200

ALPINE ELECTRONICS GmbH
Frankfurter Ring 117,
80807 München, Germany
Phone 089-32 42 640

ALPINE ELECTRONICS OF U.K. LTD.
Alpine House
Fletchamstead Highway, Coventry CV4 9TW, U.K.
Phone 0870-33 33 763

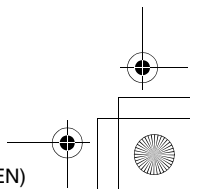
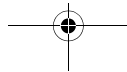
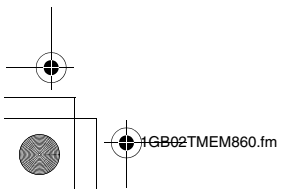
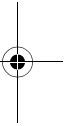
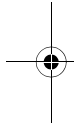
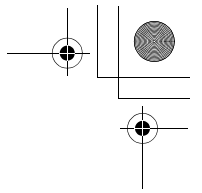
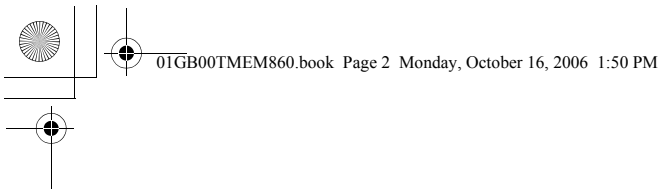
ALPINE ELECTRONICS FRANCE S.A.R.L.
(RCS PONTOISE B 338 101 280)
98, Rue de la Belle Etoile, Z.I. Paris Nord II,
B.P. 50016, 95945 Roissy Charles de Gaulle
Cedex, France
Phone 01-48638989

ALPINE ITALIA S.p.A.
Viale C. Colombo 8, 20090 Trezzano
Sul Naviglio (MI), Italy
Phone 02-484781

ALPINE ELECTRONICS DE ESPAÑA, S.A.
Portal de Gamarra 36, Pabellón, 32
01013 Vitoria (Alava)-APDO 133, Spain
Phone 945-283588

ALPINE ELECTRONICS (BENELUX) GmbH
Leuvensesteenweg 510-B6,
1930 Zaventem, Belgium
Phone 02-725-13 15

Designed by ALPINE Japan
Printed in Japan (Y)



Contents

Operating Instructions

WARNING

WARNING	2
CAUTION	2
PRECAUTIONS	2

Getting Started

Location of Controls	4
Turning Power On or Off	4
Adjusting the Volume	4
Switching the Source	4

Auxiliary Device Operation

DVD Video Player Operation (Optional)	5
DVD Menu Operations	6
TUE-T200DVB Operation (Optional)	6
Menu Operations	6
TV Operation (Optional)	7

Hands-Free Phone (Optional)

About Hands-Free Phone	7
Connect a Mobile Phone	7
Receiving a Call	8
Hanging up	8
Placing a Call	8
Placing a Call by Inputting a Telephone Number (Inputting a Number)	8
Placing a Call by the Telephone Book (Telephone Book)	8
Placing a Call by History (History of Received Calls/Dialed Calls/ Missed Received Calls)	8
Placing a Call by QUICK CALLS (QUICK CALLS)	9
Placing a Call by SPEED DIAL (SPEED DIAL)	9
Downloading a Telephone Book	9

Bluetooth Audio Function (Optional)

Bluetooth Audio Operation	10
---------------------------------	----

Setup

Display Setup Operation	11
GENERAL Setup	13
SYSTEM Setup	13
Bluetooth Setup	13
REAR SELECT Setup	14

Information

In Case of Difficulty	15
Specifications	15

Installation and Connections

Warning	16
Caution	16
Precautions	16
Installation	17
Attaching the monitor and stand	17
Mounting an external Microphone for Hands- Free Calling	18
Connections	19
System Example	20

Operating Instructions

WARNING

WARNING

This symbol means important instructions. Failure to heed them can result in serious injury or death.

INSTALL THE PRODUCT CORRECTLY SO THAT THE DRIVER CANNOT WATCH TV/VIDEO UNLESS THE VEHICLE IS STOPPED AND THE EMERGENCY BRAKE IS APPLIED.

It is dangerous for the driver to watch TV/Video while driving a vehicle. Installing this product incorrectly enables the driver to watch TV/Video while driving. This may cause a distraction, preventing the driver from looking ahead, thus causing an accident. The driver or other people could be severely injured.

DO NOT WATCH VIDEO WHILE DRIVING.

Watching the video may distract the driver from looking ahead of the vehicle and cause an accident.

DO NOT OPERATE ANY FUNCTION THAT TAKES YOUR ATTENTION AWAY FROM SAFELY DRIVING YOUR VEHICLE.

Any function that requires your prolonged attention should only be performed after coming to a complete stop. Always stop the vehicle in a safe location before performing these functions. Failure to do so may result in an accident.

KEEP THE VOLUME AT A LEVEL WHERE YOU CAN STILL HEAR OUTSIDE NOISES WHILE DRIVING.

Excessive volume levels that obscure sounds such as emergency vehicle sirens or road warning signals (train crossings, etc.) can be dangerous and may result in an accident. LISTENING AT LOUD VOLUME LEVELS IN A CAR MAY ALSO CAUSE HEARING DAMAGE.

MINIMIZE DISPLAY VIEWING WHILE DRIVING.

Viewing the display may distract the driver from looking ahead of the vehicle and cause an accident.

DO NOT DISASSEMBLE OR ALTER.

Doing so may result in an accident, fire or electric shock.

USE ONLY IN CARS WITH A 12 VOLT NEGATIVE GROUND.

(Check with your dealer if you are not sure.) Failure to do so may result in fire, etc.

KEEP SMALL OBJECTS SUCH AS BATTERIES OUT OF THE REACH OF CHILDREN.

Swallowing them may result in serious injury. If swallowed, consult a physician immediately.

USE THE CORRECT AMPERE RATING WHEN REPLACING FUSES.

Failure to do so may result in fire or electric shock.

USE THIS PRODUCT FOR MOBILE 12V APPLICATIONS.

Use for other than its designed application may result in fire, electric shock or other injury.

DO NOT INSTALL THE MONITOR NEAR THE PASSENGER SEAT AIR BAG.

If the unit is not installed correctly the air bag may not function correctly and when triggered the air bag may cause the monitor to spring upwards causing an accident and injuries.

CAUTION

This symbol means important instructions. Failure to heed them can result in injury or material property damage.

HALT USE IMMEDIATELY IF A PROBLEM APPEARS.

Failure to do so may cause personal injury or damage to the product. Return it to your authorized Alpine dealer or the nearest Alpine Service Centre for repairing.

PRECAUTIONS

Product Cleaning

Use a soft dry cloth for periodic cleaning of the product. For more severe stains, please dampen the cloth with water only. Anything else has the chance of dissolving the paint or damaging the plastic.

Temperature

Be sure the temperature inside the vehicle is between +45°C (+113°F) and 0°C (+32°F) before turning your unit on.

Maintenance

If you have problems, do not attempt to repair the unit yourself. Return it to your Alpine dealer or the nearest Alpine Service Station for servicing.

Installation Location

Make sure the TME-M740BT will not be installed in a location subjected to:

- Direct sun and heat
- High humidity and water
- Excessive dust
- Excessive vibrations

- After turning the system off, a slight ghost of the image will remain temporarily. This is an effect peculiar to LCD technology and is normal.
- In cold temperature conditions, the screen may lose contrast temporarily. After a short warm-up period, it will return to normal.

Operation of some of the functions of this unit is very complex. Because of this, it was deemed necessary to place these functions into a special screen. This will restrict operation of these functions to times when the vehicle is parked. This ensures the focus of the driver's attention will be on the road and not on the TME-M740BT. This has been done for the safety of the driver and passengers. The setup operation cannot be made if the car is moving. The car must be parked and the parking brake must be engaged for the procedure described in the Owner's Manual to be valid. The warning "Operation is not allowed while driving." will be displayed if any attempts are made to perform these operations while driving.

FCC Warning statement:

You are cautioned that changes or modifications not expressly approved by the party responsible for compliance could void your authority to operate the equipment.

FCC RF Radiation Exposure Statement:

1. This Transmitter must not be co-located or operating in conjunction with any other antenna or transmitter.
2. This equipment complies with FCC RF radiation exposure limits set forth for an uncontrolled environment.

Label Warning statement:

This device complies with Part 15 of the FCC Rules. Operation is subject to the following two condition:
(1) this device may not cause harmful interference and
(2) this device must accept any interference received, including interference that may cause undesired operation
"Complies with CANADA RSS-210"

Industry Canada - Class B

This digital apparatus does not exceed the Class B limits for radio noise emissions from digital apparatus as set out in the interference-causing equipment standard entitled "Digital Apparatus," ICES-003 of Industry Canada.

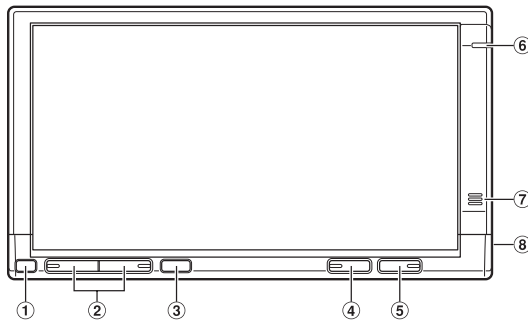
Cet appareil numérique respecte les limites de bruits radioélectriques applicables

aux appareils numériques de Classe B prescrites dans la norme sur le matériel brouilleur: "Appareils Numériques," NMB-003 édictée par l'Industrie.

(1) this device may not cause interference, and (2) this device must accept any interference, including interference that may cause undesired operation of the device."



Getting Started



Location of Controls

- ① **DIMMER Sensor**
Senses the brightness of the car interior
- ② **Volume button**
Adjust the volume level by pressing the \wedge or \vee button.
- ③ **Remote Sensor**
Point the optional remote control transmitter toward the remote sensor within a range of 2 m.
- ④ **SOURCE button**
Each time you press the SOURCE button, SOURCE is switched.
If the button is pressed and held for at least 3 seconds, the Vehiclehub Pro VPA-B222R's (optional) power is turned on/off.
- ⑤ **⏻ (POWER) button**
Turns the power on and off.
If the button is pressed and held for at least 3 seconds, the Vehiclehub Pro VPA-B222R's (sold separately) V.SEL is turned on/off.
- ⑥ **POWER Indicator**
- ⑦ **Mobile Phone Microphone**
- ⑧ **Mobile Phone external Microphone jack**
If an external microphone is connected, the internal microphone cannot be used.

Turning Power On or Off

- 1 Press **POWER** to turn on the unit.
- 2 Press **POWER** to turn off the unit.
 - Some operation of the unit cannot be performed while the vehicle is in motion. In this case, be sure to first stop your vehicle and apply the parking brake, then perform the operation.
 - In low ambient temperature conditions, the display may be dark for a short period of time immediately after the power is turned on. Once the LCD has warmed up, the display returns to normal.
 - If the voltage of the vehicle's battery power is low, the screen may blink. This is normal and not a malfunction.

Adjusting the Volume

Adjust the volume level by pressing \wedge or \vee .

Switching the Source

- 1 Press **SOURCE**.
The source selection screen is displayed.
- 2 Touch the desired source.
The main source screen is displayed.

Display example for source selection screen



- ① **Nav. (Navigation)**
The Navigation screen is displayed. If an optional Alpine Navigation System is connected to the TME-M740BT, the Navigation screen can be displayed on this unit.



- For navigation operation, refer to the Owner's Manual of the navigator.
- If the NAV. is not displayed on the source selection screen, set NAV.MODE to NAV. by following "Setting the Navigation Mode" (page 13).

② MOBILE PHONE

The MOBILE PHONE screen is displayed.



- For details, refer to "Hands-Free Phone" (page 7).

③ Bluetooth AUDIO

The Bluetooth AUDIO mode screen is displayed.



- For details, refer to "Bluetooth AUDIO Operation" (page 10).

④ AUX

The external input screen is displayed.



Screen Example:EXT. DVD

- The name which is given as the source name in "External Input Name setting (AUX NAME)" on page 13 is displayed.
- For details, refer to "DVD Video Player Operation" (page 5).
- For details, refer to "TUE-200DVB Operation" (page 6).

⑤ SETUP

The SETUP selection screen is displayed.



- For details, refer to "Setup" (page 10).

Auxiliary Device Operation

If an ALPINE device is connected to AUX-1, the device is controllable from the unit. The following explains how to operate representative devices.

DVD Video Player Operation (Optional)

Operable when optional DVD Video Player

(DVA-5210/DVE-5207/DHA-S680) is connected.

When EXT. DVD is selected in "Setting the AUX Mode" (page XX), the source is displayed in SOURCE selection screen.

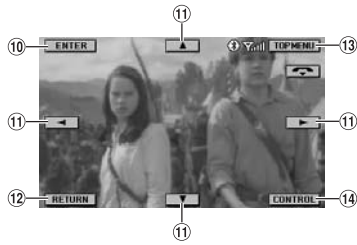
Touch the display panel to display the operation screen.

- The operation screen changes to the visual screen in the DVD mode for 5 seconds after an operation has been performed. Touch the display panel to display the operation screen again.



- 1 Finds the beginning of track/chapter. Touching and holding plays fast- reverse.
- 2 Pauses and plays back.
- 3 Finds the beginning of a track/chapter. Touching and holding plays fast- forward.
- 4 PRE- STOP/STOP
- 5 **DISC**
Switch DISC (DHA-S680 only)
- 6 **DISC**
Switch DISC (DHA-S680 only)
- 7 Displays the DVD menu operation screen.
- 8 **SOURCE**
Displays the source selection screen.
- 9 Hangs up the mobile phone connection. The indication is displayed only during a call.

DVD Menu Operations



- ⑩ **TOP MENU**
The DVD top menu screen is displayed.
- ⑪ ◀ ▶ ▲ ▼ ▶▶
Moves an item displayed on the screen.
- ⑫ **RETURN**
Returns to the previous screen.
- ⑬ **CONTROL**
Displays the main operation screen.
- ⑭ **ENTER**
Enters the selected item.

• Operation may differ depending on the connected device. Refer to owner's manual of the connected device.

TUE-T200DVB Operation (Optional)

Operable when optional TUE-T200DVB is connected.
When DVB-T is selected in "Setting the AUX Mode" (page XX), the source is displayed in SOURCE selection screen.

Touch the display panel to display the operation screen.

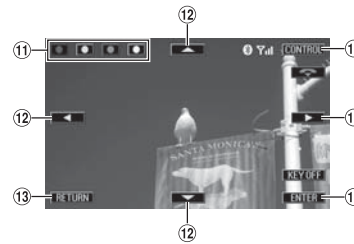
• The operation screen changes to the visual screen in the DVB-T mode for 5 seconds after an operation has been performed. Touch the display panel to display the operation screen again.



- ① **◀ CH**
Decreases channels one by one. Touching and holding changes continuously.
◀ P. DN
Decreases preset channels.
- ② **TUNE**
Changes the tuning way (channel and preset channel).
- ③ **CH ▶**
Increases channels one by one. Touching and holding changes continuously.
P. UP ▶
Increases preset channels.
- ④ **A. MEMO**
Memorizes automatically.

- ⑤ **BAND**
Switches source of digital TV.
- ⑥ **EPG**
Displays EPG screen.
- ⑦ ◀ ▶
Displays the menu operation screen.
- ⑧ **SOURCE**
Displays the source selection screen.
- ⑨ ☎
Hangs up the mobile phone connection. The indication is displayed only during a call.
- ⑩ **KEY OFF**
Temporarily turns off the operation screen. If the screen is touched, the operation screen is displayed again.

Menu Operations



- ⑪ **ENTER**
Enters the selected item.
 - ⑫ ◀ ▶ ▲ ▼ ▶▶
Moves an item displayed on the screen.
 - ⑬ **RETURN**
Returns to the previous screen.
 - ⑭ **TOP MENU**
Displays the menu screen.
 - ⑮ **CONTROL**
Displays the main operation screen.
- For detail, refer to the Owner's Manual of the TUE-T200DVB sold separately.


TV Operation (Optional)

Operable when optional TUE-T252TX is connected.
When TV is selected in "Setting the AUX Mode" (page XX), the source is displayed in SOURCE selection screen.

Touch the display panel to display the operation screen.

- The operation screen changes to the visual screen in the TV mode for 5 seconds after an operation has been performed. Touch the display panel to display the operation screen again.



- ◀ CH**
Decreases channels one by one.
◀ P. DN
Decreases the preset numbers one by one.
 - TUNE**
Changes the tuning way (manual mode, auto seek mode and preset number).
 - CH ▶**
Increases channels one by one.
P. UP ▶
Increases the preset numbers one by one.
 - A. MEMO**
Memorizes automatically.
 - BAND**
Changes the band.
 - SOURCE**
Displays the source selection screen.
 - 
Hangs up the mobile phone connection. The indication is displayed only during a call.
- Operation may differ depending on the connected device. Refer to owner's manual of the connected device.

Hands-Free Phone (Optional)

About Hands-Free Phone

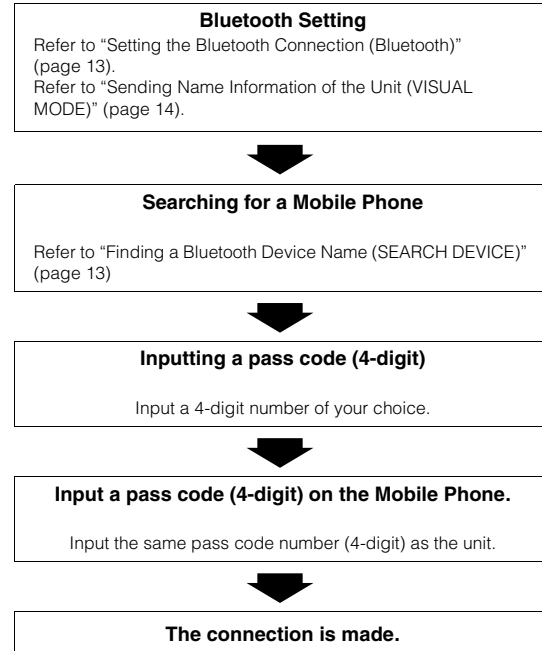
The unit is compatible with Bluetooth® international standard wireless communication technology. You can place a hands-free call* using a Bluetooth compatible mobile phone.

* To make a hands-free call, your mobile phone needs to conform to HPF (Hands-Free Profile) or HSP (Headset Profile).

- Avoid performing a hands-free call in a city where traffic is congested, or in the narrow street.
- When you place a call, speak loudly and clearly.
- Shut the windows before calling.
- If both persons use a hands-free call to each other, or you make a call in a noisy location, you may have difficulty hearing the other person's voice, or transmitting to the other person.
- Certain voices may sound unnatural, depending on the person using the telephone, or on telephone line conditions.
- Depending on the mobile phone, you may not be able to use a hands-free phone.

Connect a Mobile Phone

If a mobile phone is connected for the first time, register a mobile phone by doing the following.



- The Bluetooth setting is required for a mobile phone. See the Owner's Manual of the mobile phone.
- To input a pass code in the mobile phone, see the Owner's Manual of the mobile phone.

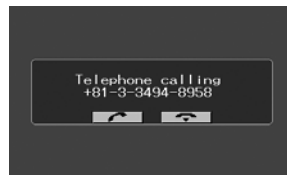
- If **ON** is set in “Setting the Connection automatically (AUTO CONNECT)” (page 14), automatic connection of the previously connected mobile phone will start when power is turned on.
- If you previously registered a mobile phone in the unit, select the mobile phone you want from the registration device setting list. Refer to “Setting the Bluetooth Connection” (page 13).

Receiving a Call

When a call is received, a received call sound rings, and the received call is announced in the display.

Touch [].

The call starts.

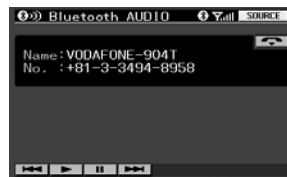


- If **ON** is set in “Receiving a Received Call automatically (AUTO ANSWER)” (page 14), an incoming call is answered automatically 5 seconds after it is received.
- You can set whether full-screen is displayed while a call is placed. For details, refer to “Setting the Screen to be Displayed while Calling (CALLING DISPLAY)” (page 11).

Hanging up

Touch [].

The call finishes.



Placing a Call

- 1 Touch [Hands-Free] on the **SOURCE SELECT** screen.

The HFT screen is displayed.

- 2 Select the desired method.



- 3 Touch [].

The telephone is placing a call.



- If you input a telephone number and place a call, this screen is not displayed.
- If [Registration] is touched, you can register in **SPEED DIAL**.

Placing a Call by Inputting a Telephone Number (Inputting a Number)

Input the destination number, starting with the area code, and touch [ENT].

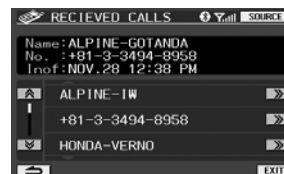


- If [Delete] is touched, delete a character one by one. If [Delete] is touched and held, all characters are deleted.
- If [Registration] is touched, you can register in **SPEED DIAL**.

Placing a Call by the Telephone Book (Telephone Book)

You can select a person and place a call from a telephone book list downloadable to the unit from a mobile phone.

Touch [] of the person to whom you want to place a call.



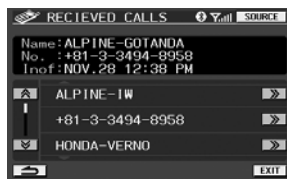
- If you touch [] or [], you can change the list page.
- If you touch [SEARCH], you can download the telephone book of a mobile phone to the unit. You may need to send a telephone book from another mobile phone if this is not possible.

Placing a Call by History (History of Received Calls/Dialed Calls/Missed Received Calls)

You can place a call by selecting a person from a list of received calls, dialed and missed calls, or received calls history.

- Received calls history: A telephone number list of previously received calls.
- Dialed calls history: A telephone number list of previously dialed calls.
- Missed, received calls history: A telephone number list of persons whose calls you received but missed.

Touch [➤] of the person you wish to call.



- If you touch [⌘] or [⌘], you can change the list page.
- A maximum of 20 numbers can be stored in each call history. If a call history exceeds 20, the call history will be deleted in order from the oldest.

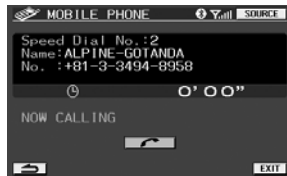
Placing a Call by QUICK CALLS (QUICK CALLS)

You can place a call quickly to a telephone number you last dialed or received.

- 1 Touch [REDIAL] or [RECEIVED CALLS] of QUICK CALLS on the SOURCE SELECT screen.



- 2 Touch [📞].
The call is placed.



- If [Register] is touched, you can register in SPEED DIAL.

Placing a Call by SPEED DIAL (SPEED DIAL)

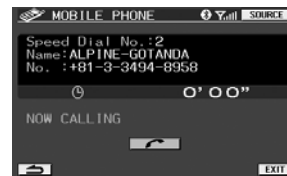
You can register up to 9 telephone numbers you frequently call in SPEED DIAL for easy dialing any time.

- 1 Touch the number you want to call by SPEED DIAL on the SOURCE SELECT screen.



- You can scroll a number by touching [◀] or [▶].

- 2 Touch [📞].
The call is placed.



Downloading a Telephone Book

You can place a call by downloading the telephone book registered in a mobile phone to the unit.

Touch [SEARCH] on the telephone book screen.

Downloading of the telephone book starts.

CP022.00.eps

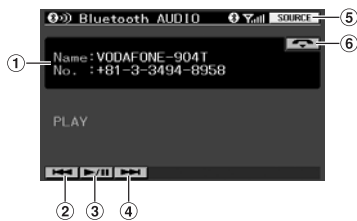
- To place a call by a telephone book, refer to "Placing a Call by the Telephone Book (Telephone Book)" (page 8).
- If a telephone book is rewritten, download a new telephone book to the unit. When a message is displayed, touch [YES]. The earlier telephone book is deleted and the new one is downloaded.

Bluetooth Audio Function (Optional)

Bluetooth Audio Operation

Audio information of a Bluetooth compatible mobile phone, portable player, etc., is by wireless controllable/playable* from the unit. Refer to "Connect a Mobile Phone" (page 7) to connect Bluetooth Audio devices.

* To play back audio, a mobile phone or portable player that conforms to A2DP (Advanced Audio Distribution Profile) or AVRCP (Audio/Video Remote Control Profile) is required. Video playback is not supported.



- ① **Displays the song title**
- ② **⏮**
Finds the beginning of the current track. Touch and hold to play fast-reverse.
- ③ **▶/||**
Pauses and plays back.
- ④ **⏭**
Finds the beginning of the next track. Touch and hold to play fast-forward.
- ⑤ **SOURCE**
Displays the source selection screen.
- ⑥ **📞**
Hangs up a hands-free phone connection. The indicator is displayed while the call is placed.

Setup

You can flexibly customize the unit to suit your own preferences and usage.

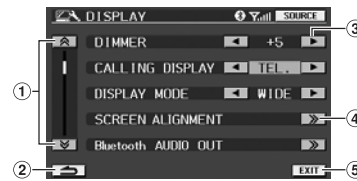
Use steps 1 to 4 to select one of the **SETUP** modes to modify. See the applicable section below for details about the selected **SETUP** item.

- 1 Touch **[SETUP]** on the source select screen. The **SETUP** selection screen is displayed.

- 2 Touch the desired setup item.



- 3 Touch **[<<]** or **[>>]**, etc., of the desired item to change its setting.



- ① **Switch page**
 - ② **Returns to the previous display.**
 - ③ **Change the setting item.**
 - ④ **Displays the detailed setting screen.**
 - ⑤ **Exits the setting screen.**
- 4 Touch **[EXIT]**.

Setup item	Initial setting	page
DISPLAY		
DIMMER	AUTO	page 11
DIMMER HIGH	MIN	page 11
DIMMER LOW	MIN	page 11
CALLING DISPLAY	TEL.	page 11
DISPLAY MODE	WIDE	page 11
SCREEN ADJUSTMENT	—	page 12
VISUAL EQ	—	page 12
BRIGHT	0	page 12
COLOR	0	page 12
TINT	0	page 12
CONTRAST	0	page 12
SHARP	0	page 12
VISUAL EQ MODE	OFF	page 12
USER MEMORY	P-1	page 12
GENERAL		
BEEP	ON	page 13
LED BRIGHTNESS	LOW	page 13
VOLUME CONTROL	MONITOR	page 13
SYSTEM		
INT MUTE	ON	page 13
AUX NAME	AUX	page 13
NAV. MODE	NAV.	page 13
CAMERA INT	ON	page 13
Bluetooth		
Bluetooth	ON	page 13
SEARCH DEVICE	—	page 13
ACTIVE DEVICE	—	page 13
PAIRED DEVICE	—	page 14
AUTO CONNECT	ON	page 14
VISABLE MOD	ON	page 14
AUTO ANSWER	OFF	page 14
REFUSED CALL	OFF	page 14
PHONEBOOK	MEMORY	page 14
MIC GAIN	5	page 14
REAR SELECT		
REAR SELECT	AUX	page 14

Display Setup Operation

Setting the Brightness of the Backlighting (DIMMER)

HIGH / LOW / AUTO (Initial Setting)

Backlighting is provided by a fluorescent light built into the liquid crystal panel. The illumination control adjusts the brightness of the backlighting based on the car ambient lighting for easier viewing.

HIGH: Sets the brightness of the screen to the same brightness that was set in DIMMER HIGH in "Adjusting the Level of Backlight" (page 11).

LOW: Sets the brightness of the screen to the same brightness that was set in DIMMER LOW in "Adjusting the Level of Backlight" (page 11).

AUTO: Adjust the brightness of the background illumination of the monitor automatically to the brightness of the car interior.

Adjusting the Maximum Level of Backlight (DIMMER HIGH)

MIN(16) to MAX(31) (Initial Setting: MIN)

If HIGH is set in "Setting the Brightness of the Backlighting (Dimmer)" (page 11), you can adjust the brightness of the backlighting. This function can be used, for instance, to change the screen brightness while traveling at night.

Adjusting the Minimum Level of Backlight (DIMMER LOW)

MIN(0) to MAX(15) (Initial Setting: MIN)

If LOW is set in "Setting the Brightness of the Backlighting (Dimmer)" (page 11), you can adjust the brightness of the backlighting. This function can be used, for instance, to change the screen brightness while traveling at night.

Setting the Screen to be Displayed while Calling (CALLING DISPLAY)

TEL.(Initial Setting) / MAIN

While a call is placed by a hands-free phone, you can set whether the telephone screen or the navigation screen, etc., is displayed

TEL.: Displays the telephone screen.

MAIN: Displays the current source screen (navigation, etc.).

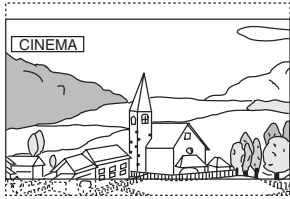
DISPLAY MODE

WIDE (Initial Setting) / CINEMA / NORMAL

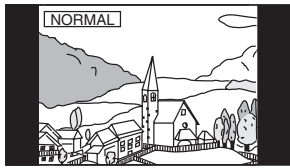
WIDE: The monitor displays a normal picture wider to fit in a wide-screen monitor by evenly stretching out the picture horizontally.



CINEMA: The monitor displays a normal picture by stretching out the picture vertically. This mode is good for displaying a cinema type picture at the 16 : 9 ratio.



NORMAL: The monitor displays a normal picture at the centre of the screen with a vertical black band at each side.



Adjusting the Touch Panel (SCREEN ADJUSTMENT)

◀ (RESET) / ▶▶ (SETUP)

Adjustment becomes necessary when the display position on the LCD and the touch position on the touch panel do not match.

1 Touch [▶▶] of SCREEN ALIGNMENT.

The adjustment screen appears.

2 Accurately touch the [X] mark provided in the lower left corner of the screen.

The screen changes to the adjustment screen.

3 Accurately touch the [X] mark provided in the upper right corner of the screen.

This completes adjustment, and returns to the DISPLAY setup mode screen.

- If you have touched a location other than the [X] mark, touch [▶▶] to restore the adjustment screen to the initial setting.

VISUAL EQ™ Setting

① BRIGHT

MIN(-15) to MAX(+15) (Initial Setting: 0)

② COLOR

MIN(-15) to MAX(+15) (Initial Setting: 0)

③ TINT

GMAX(G15) to RMAX(R15) (Initial Setting: 0)

④ CONTRAST

MIN(-15) to MAX(+15) (Initial Setting: 0)

⑤ SHARP

MIN(-15) to MAX(+15) (Initial Setting: 0)

⑥ VISUAL EQ MODE

OFF (Initial Setting) / NIGHT M / SOFT / SHARP / CONTRAST / P-1 / P-2

OFF : Initial Setting

NIGHT M.: Suitable for movies in which dark scenes frequently appear.

SOFT: Suitable for CGs and animated films.

SHARP: Suitable for old movies where images are not clearly shown.

CONTRAST: Suitable for recent movies.

P-1: Recalls the VISUAL EQ mode being stored on preset No.P-1 from "⑦ USER MEMORY" (page XX).

P-2: Recalls the VISUAL EQ mode being saved on preset No.P-2 from "⑦ USER MEMORY" (page XX).

⑦ USER MEMORY

P-1 (Initial Setting) / P-2

You can store the settings made for "① BRIGH, ② COLOR, ③ TINT, ④ CONTRAST and ⑤ SHARP."

After adjusting ① BRIGH, ② COLOR, ③ TINT, ④ CONTRAST and ⑤ SHARP, select the preset number (P-1) or (P-2) and store it by touching [WRITE].

- You can recall the VISUAL EQ mode stored here from P-1 or P-2 of "⑥ VISUAL EQ Mode" (page 12).

GENERAL Setup

Sound (Beep) Guide Function (BEEP)

ON (Initial Setting) / OFF

ON: Activate the Sound Guide mode.

OFF: Deactivate the Sound Guide mode. The sound guide beep will not be produced when a button on the unit is pressed.

Adjusting the Brightness of the LED (LED BRIGHTNESS)

HIGH (Initial Setting) / LOW / NORMAL / OFF

You can set LED brightness (POWER indicator, etc.).

HIGH: Makes LED brighter.

LOW: Makes LED darker.

NORMAL: Normal LED brightness.

OFF: Turns LED off.

Change Sound Output(VOLUME CONTROL)

MONITOR (Initial Setting) / SYSTEM

If the unit is connected to the Vehiclehub Pro (VPA-B222R), set to ON.

MONITOR: Outputs sound through the built-in speakers.

SYSTEM: Volume is adjustable from the VPA-B222R if compatible devices are connected to the VPA-B222R.

SYSTEM Setup

Hands-Free Phone Interruption Setting (INT MUTE)

ON (Initial Setting) / OFF

You can set a hands-free phone call to interrupt the head unit (DVA-9861R, etc.).

ON: The received call or placed call interrupts the head unit. Audio of the head unit is muted at this time.

OFF: The received call or placed call does not interrupt the head unit.

- *IN-INT cable connected devices should be connected to the OUT-ONT cable of the unit.*

External Input Name Setting (AUX NAME)

OFF / DVB-T / TV / DVD HU / EXT. DVD / GAME / AUX (Initial Setting)

Select the name from the following list, to be used for the product using the external input mode. This will apply to the touch switch name at source selection time and the source name during playback change.

Setting the Navigation Mode (NAV. MODE)

NAV. (Initial Setting) / EXT. / OFF

OFF: Navigation source is not displayed. The settings related to the navigation can not be changed from this unit.

NAV.: Navigation source is displayed.

EXT.: The source name is displayed as Vehicle Hub.

Setting of the Rear Camera (CAMERA INT)

ON (Initial Setting) / OFF

When the rear camera is connected, rear pictures are output on the screen.

OFF: The CAMERA source is not displayed on the SOURCE selection screen.

ON: Even if the shift lever is not set to reverse (R), the rear pictures are output by selecting the CAMERA source.

- *By shifting to reverse (R), the rear pictures are output. This function is effective when the reverse wire is properly connected.*

Bluetooth Setup

Setting the Bluetooth Connection (Bluetooth)

ON (Initial Setting) / OFF

The setting is made when a hands-free phone or Bluetooth Audio is used. Be sure to set to ON.

ON: The Bluetooth function can be used.

OFF: The Bluetooth function cannot be used.

Finding a Bluetooth Device Name (SEARCH DEVICE)

Search a currently connectable Bluetooth device



- *If [CANCEL] is touched, search of the Bluetooth device is terminated.*

Observing Bluetooth Device Information (ACTIVE DEVICE)

You can check the details of a currently connected Bluetooth device.



- *If [DISCONNECT] is touched, the Bluetooth device is disconnected.*

Setting the registered Bluetooth Device (PAIRED DEVICE)

Previously up to 5 connected mobile phones to the unit were registered. Select the one you wish to use.



- If [CONNECT] is touched, the Bluetooth device is connected.
- If [DELETE] is touched, the Bluetooth device is deleted. If [ALL DELETE] is touched, all Bluetooth devices are deleted.
- If a Bluetooth device which is not registered in the list is connected, search for a Bluetooth device by touching [SEARCH].

Setting a Connection automatically (AUTO CONNECT)

ON (Initial Setting) / OFF

The setting can be made whether previously connected mobile phone is automatically recognized and connected or not.

ON: The previously connected mobile phone will be automatically connected.

OFF: Select a mobile phone by using [DEVICE SEARCH].

Sending Name Information of the Unit (VISUAL MODE)

ON (Initial Setting) / OFF

The setting can be made whether unit name information is sent to the Bluetooth device (mobile phone, etc.) or not.

ON: Name information of the unit (TME-M740BT) is sent to the Bluetooth device.

OFF: Name information of the unit is not sent to the Bluetooth device.

Receiving a Received Call automatically (AUTO ANSWER)

ON / OFF (Initial Setting)

The setting can be made whether the call is automatically received or not when a call is received.

ON: When receiving a call, you can automatically call after approx. 5 seconds.

OFF: When receiving a call, the call will not be automatically received. Receive the call by touching [#].

Making effective use of Refused Call (REFUSED CALL)

ON / OFF (Initial Setting)

If you do not wish to accept a received call while driving, you can set to not receive that call by hands-free operation.

ON: When a call is received, nothing appears in the display, and you can neither receive the call by hands-free operation, or automatically receive it.

OFF: You can receive a call by hands-free operation.

- If [REFUSED CALL] is set to ON when a call is received, a mobile phone will still be received.

Setting the Telephone Book to be used (PHONEBOOK)

PHONE (Initial Setting) / CARD

You can set whether to use a mobile phone or SIM card from which to download a telephone book to the unit.

PHONE: The telephone book of a mobile phone is used.

CARD: The telephone book of a SIM card, etc., is used.

Setting Volume of the Call (MIC GAIN)

MIN(1) to MAX(7) (Initial Setting:5)

The volume of a call can be set at one of 7 levels.

REAR SELECT Setup

Rear Monitor Select Function

AUX (Initial Setting) / BT AUDIO / OFF

If another monitor (Rear) is connected to the unit, image/audio of the rear monitor can be changed from the unit, so you can enjoy separate image/audio in the rear seats.



Information

In Case of Difficulty

If you encounter a problem, please turn the power off, then on again. If the unit is still not functioning normally, please review the items in the following checklist. This guide will help you isolate the problem if the unit is at fault. Otherwise, make sure the rest of your system is properly connected, or then consult your authorized Alpine dealer.

Basic

No function or display.

- Vehicle's ignition is off.
 - If connected according to the instructions, the unit will not operate with the vehicle's ignition off.
- Improper power lead connections.
 - Check power lead connections.
- Blown fuse.
 - Check the fuse on the battery lead of the unit; replace with the proper value if necessary.

No sound or unnatural sound.

- Connections are not properly or securely made.
 - Check the connections and firmly connect.

Screen not displayed.

- Brightness control is set at the minimum position.
 - Adjust the Brightness control.
- Temperature in the vehicle is too low.
 - Increase the vehicle's interior temperature to operation temperature range.
- Connections to the DVD, navigation system are not securely made.
 - Check the connections and firmly connect.

Unclear or noisy display.

- Fluorescent plate is worn out.
 - Replace the fluorescent plate.

Navigation system inoperative.

- Connections to the navigation system are incorrect.
 - Check the connections with the navigation system and connect the cables correctly and firmly.

Unclear picture display.

- Fluorescent tube is exhausted.
 - Replace the fluorescent tube*.

* The fluorescent tube replacement is not free of charge even within the warranty period, for the tube is an article of consumption.

Unit does not operate.

- Monitor's power is not turned on.
 - Turn on the monitor's power.

No picture is produced.

- Monitor's mode is not switched to the mode you want to see.
 - Switch to the mode you want to see.
- Monitor's parking brake lead is not connected.
 - Connect the monitor's parking brake lead and set the parking brake.
 - (For details, refer to the monitor's instructions.)

- Monitor's parking brake is not set.
 - Connect the monitor's parking brake lead and set the parking brake.
 - (For details, refer to the monitor's instructions.)

Picture is unclear or noisy.

- Vehicle's battery power is weak.
 - Check the battery power and wiring.
 - (The unit may malfunction if the battery power is under 11 volts with a load applied.)
- Monitor's fluorescent tube is worn.
 - Replace the monitor's fluorescent tube.

Spots or dotted lines/stripes appear.

- Caused by neon signs, high-voltage power lines, CB transmitter, other vehicle's ignition plugs, etc.
 - Change the location of your vehicle.

Specifications

MONITOR SECTION

Screen Size	7.0-type
LCD Type	Transparent type TN LCD
Operation System	TFT active matrix
Number of Picture Elements	1,152,000 pcs.
Effective Number of Picture Elements	99.99% or more
Illumination System	Cold cathode fluorescent tube

GENERAL

Power Requirement	14.4 V DC (11-16 V allowable)
Weight	(Monitor Section) 680 g (1 lbs. 8 oz)

CHASSIS SIZE (Monitor section)

Width	178 mm (7")
Height	100 mm (3-15/16")
Depth	145 mm (5-45/64")

- *Due to continuous product improvement, specifications and design are subject to change without notice.*
- *The LCD panel is manufactured using an extremely high precision manufacturing technology. Its effective pixel ratio is over 99.99%. This means that there is a possibility that 0.01% of the pixels could be either always ON or OFF.*

Installation and Connections

Before installing or connecting the unit, please read the following and pages 2 to 3 of this manual thoroughly for proper use.

Warning

MAKE THE CORRECT CONNECTIONS

Failure to make the proper connections may result in fire or product damage.

USE ONLY IN CARS WITH A 12 VOLT NEGATIVE GROUND.

(Check with your dealer if you are not sure.) Failure to do so may result in fire, etc.

BEFORE WIRING, DISCONNECT THE CABLE FROM THE NEGATIVE BATTERY TERMINAL.

Failure to do so may result in electric shock or injury due to electrical shorts.

DO NOT ALLOW CABLES TO BECOME ENTANGLED IN SURROUNDING OBJECTS.

Arrange wiring and cables in compliance with the manual to prevent obstructions when driving. Cables or wiring that obstruct or hang up on places such as the steering wheel, shift lever, brake pedals, etc. can be extremely hazardous.

DO NOT SPLICE INTO ELECTRICAL CABLES.

Never cut away cable insulation to supply power to other equipment. Doing so will exceed the current carrying capacity of the wire and result in fire or electric shock.

DO NOT DAMAGE PIPE OR WIRING WHEN DRILLING HOLES.

When drilling holes in the chassis for installation, take precautions so as not to contact, damage or obstruct pipes, fuel lines, tanks or electrical wiring. Failure to take such precautions may result in fire.

DO NOT USE BOLTS OR NUTS IN THE BRAKE OR STEERING SYSTEMS TO MAKE GROUND CONNECTIONS.

Bolts or nuts used for the brake or steering systems (or any other safety-related system), or tanks should NEVER be used for installations or ground connections. Using such parts could disable control of the vehicle and cause fire etc.

KEEP SMALL OBJECTS SUCH AS BOLTS OR SCREWS OUT OF THE REACH OF CHILDREN.

Swallowing them may result in serious injury. If swallowed, consult a physician immediately.

DO NOT INSTALL IN LOCATIONS WHICH MIGHT HINDER VEHICLE OPERATION, SUCH AS THE STEERING WHEEL OR SHIFT LEVER.

Doing so may obstruct forward vision or hamper movement etc. and results in serious accident.

Caution

HAVE THE WIRING AND INSTALLATION DONE BY EXPERTS.

The wiring and installation of this unit requires special technical skill and experience. To ensure safety, always contact the dealer where you purchased this product to have the work done.

USE SPECIFIED ACCESSORY PARTS AND INSTALL THEM SECURELY.

Be sure to use only the specified accessory parts. Use of other than designated parts may damage this unit internally or may not securely install the unit in place. This may cause parts to become loose resulting in hazards or product failure.

ARRANGE THE WIRING SO IT IS NOT CRIMPED OR PINCHED BY A SHARP METAL EDGE.

Route the cables and wiring away from moving parts (like the seat rails) or sharp or pointed edges. This will prevent crimping and damage to the wiring. If wiring passes through a hole in metal, use a rubber grommet to prevent the wire's insulation from being cut by the metal edge of the hole.

DO NOT INSTALL IN LOCATIONS WITH HIGH MOISTURE OR DUST.

Avoid installing the unit in locations with high incidence of moisture or dust. Moisture or dust that penetrates into this unit may result in product failure.

Precautions

- Be sure to disconnect the cable from the (–) battery post before installing your TME-M740BT. This will reduce any chance of damage to the unit in case of a short-circuit.
- Be sure to connect the color coded leads according to the diagram. Incorrect connections may cause the unit to malfunction or damage to the vehicle's electrical system.
- When making connections to the vehicle's electrical system, be aware of the factory installed components (e.g. on-board computer). Do not tap into these leads to provide power for this unit. When connecting the TME-M740BT to the fuse box, make sure the fuse for the intended circuit of the TME-M740BT has the appropriate amperage. Failure to do so may result in damage to the unit and/or the vehicle. When in doubt, consult your ALPINE dealer.
- The TME-M740BT uses female RCA-type jacks for connection to other units having RCA connectors. You may need an adaptor to connect other units. If so, please contact your authorized ALPINE dealer for assistance.
- The Display must be completely retracted in the casing when installing. If it is not, problems may occur.

IMPORTANT

Please record the serial number of your unit in the space provided below and keep it as a permanent record. The serial number plate is located on the bottom of the unit.

SERIAL NUMBER: _____

INSTALLATION DATE: _____

INSTALLATION TECHNICIAN: _____

PLACE OF PURCHASE: _____

Installation

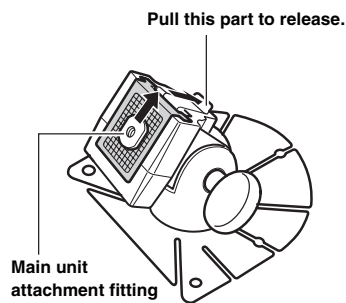
Accessory List

Monitor	1
Display cable (2.5m)/Power Cable	1
Cord clamp	3
Monitor stand	1
Fixing Screw (M4×12)	3
Cloth	1
Bracket Center	1
Bracket Side (L/R)	2
Screw (M5×8)	8
Owner's Manual	1

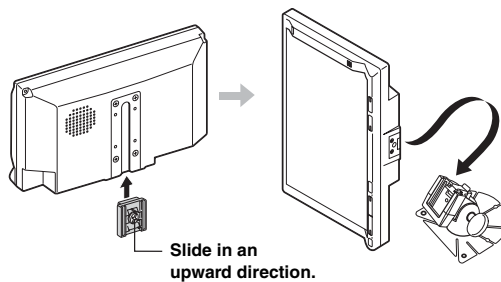
Attaching the monitor and stand

CAUTION
Do not install the monitor near the front passenger seat air bag system.

1 Remove the main unit attachment fitting.

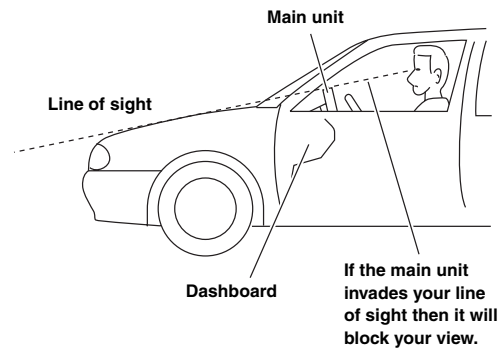
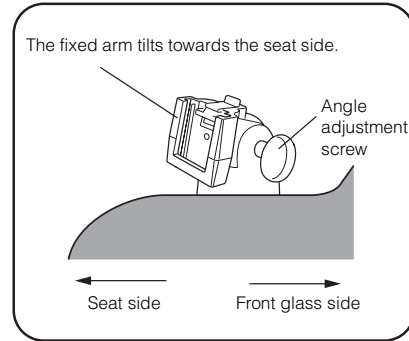


2 Loosen the main unit attachment fitting with a coin etc., slide it into the track on the rear of the main unit and temporarily fasten it. Then fix it to the stand.



3 Check the sticking position.

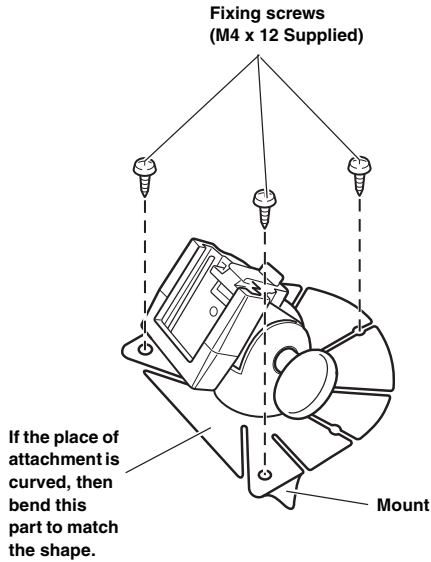
- ① Temporarily fasten the stand with gum tape.
- ② Loosen the adjustment screws, and adjust to a safe, viewable position.



In order to use safely, attach to the following places.

- Stable and secure places.
- Places that will not have your view blocked by the main unit when driving.
- Places that you will not hit against if you lean forward while you wearing your seatbelt.
- Places where the main unit cannot hit against the steering wheel while driving.
- Be aware that if the surface of the dashboard is leather, wooden panel, stretched fabric or any non-resin based product, then the surface will be damaged when you remove the stand.
- Do not place the main unit directly in front of the air conditioner vents.

- 4 Remove the main unit from the stand.
- 5 Remove the mount from the stand and stick it to the dashboard etc.. Remove any dirt on the place to install, using the supplied cloth.



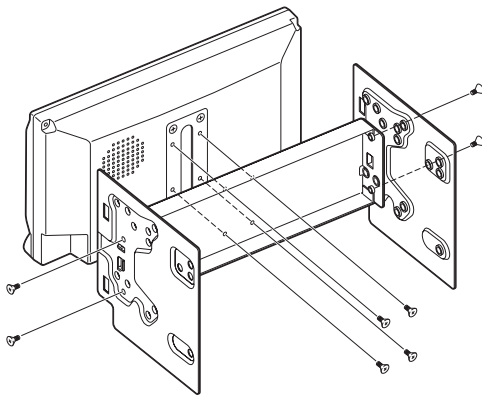
- If the temperature in the car is low (Winter), then first heat up the place where you are going to stick the mount with a hairdryer etc.
- Do not apply force to the mount, or expose to humidity, within 24 hours after attaching.
- If the mount is not firmly stuck, then we recommend that you attach with the supplied fixing screws.

- 6 Attach the main unit to the stand as shown in step 2. Use the cable clamps to fix the cables.

- Before using, check that the main unit and the stand, and the stand and the place where it is attached to the car are fixed securely.

Mounting the Monitor on the Indash using a Bracket

- 1 Mount the bracket using the supplied screws (M5 x 8).
- 2 Mount the bracket on the monitor using the supplied screws (M5 x 8).



- 3 Mount the monitor with bracket attached in the car.

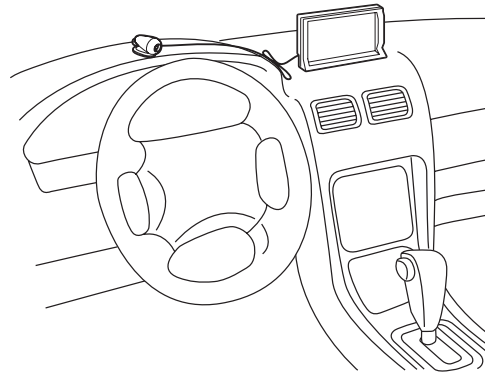
Mounting an external Microphone for Hands-Free Calling

For the sake of safety, mount the microphone in the following location.

- In a stable and secure location.
- In a location where there is no interference of driver operation.
- Mount the external microphone used for the hands-free phone in a location where the driver's voice can easily be picked up. Mount the microphone in consideration of its direction and distance from the driver so that the voice can easily be picked up with no driver movement, which may otherwise cause driver distraction.

- 1 Peel off the paper seal on the base of the external microphone, and stick it on the dashboard.

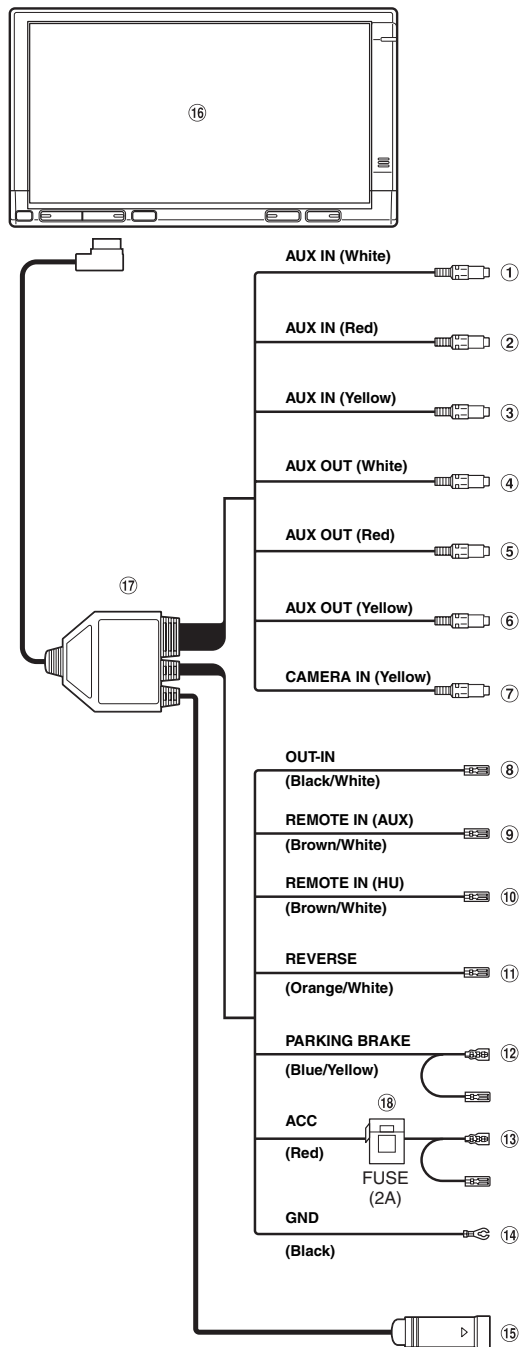
Using the supplied cleaner, clean the mounting surface area thoroughly, and then stick the microphone in place.



To prevent external noise from entering the audio system.

- Locate the unit and route the leads at least 10 cm away from the car harness.
- Keep the battery power leads as far away from other leads as possible.
- Connect the ground lead securely to a bare metal spot (remove any paint, dirt or grease if necessary) of the car chassis.
- If you add an optional noise suppressor, connect it as far away from the unit as possible. Your Alpine dealer carries various noise suppressors, contact them for further information.
- Your Alpine dealer knows best about noise prevention measures so consult your dealer for further information.

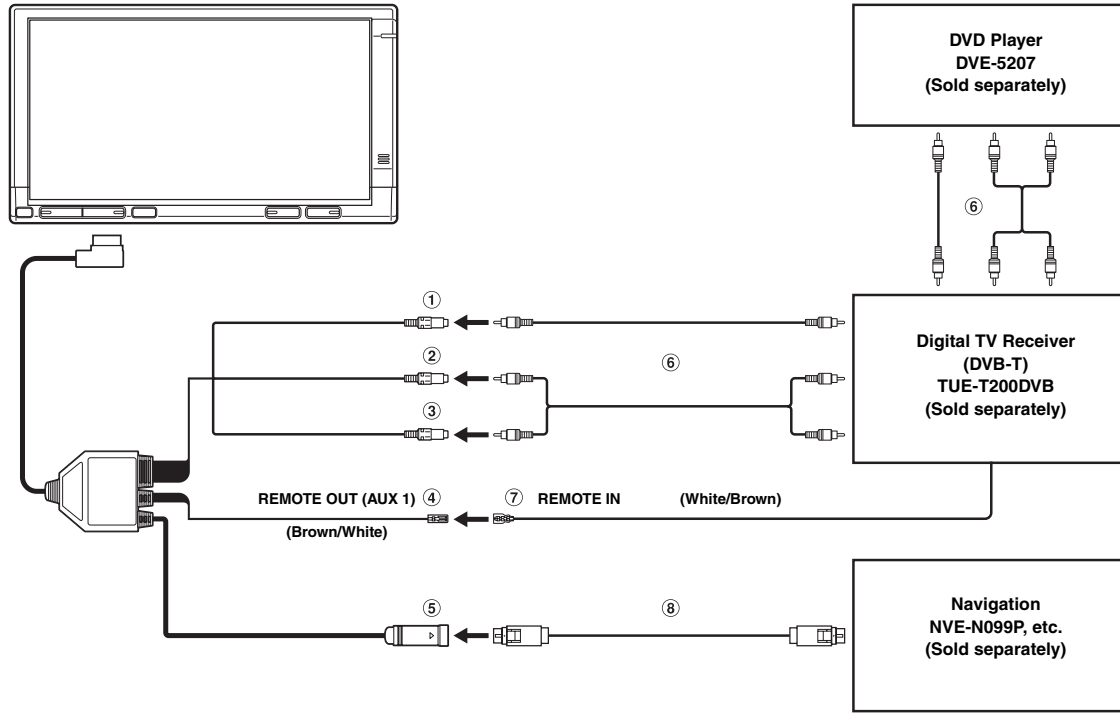
Connections



- ① **Audio Input Connector (AUX IN) (White)**
Left input the audio.
- ② **Audio Input Connector (AUX IN) (Red)**
Right input the audio.
- ③ **Video Input Connector (AUX IN) (Yellow)**
Input the video.
- ④ **Audio Output Connector (AUX OUT) (White)**
Left output the audio.
- ⑤ **Audio Output Connector (AUX OUT) (Red)**
Right output the audio.
- ⑥ **Video Output Connector (AUX OUT) (Yellow)**
Output the video.
- ⑦ **Camera Input Connector (Yellow)**
Use when connecting a back-up camera.
- ⑧ **Audio Interrupt Out Lead (Black/White)**
- ⑨ **Remote Control Output Lead (AUX) (Brown/White)**
Connect this lead to the remote control input lead. This lead outputs the controlling signals from the remote control.
- ⑩ **Remote Control Output Lead (HU) (Brown/White)**
Connect this lead to the remote control input lead. This lead outputs the controlling signals from the remote control.
- ⑪ **Reverse Lead (Orange/White)**
Use only when a back-up camera is connected. Connect to the plus side of the car's reverse lamp that lights when the transmission is shifted into reverse (R).
Switches the video picture to the back-up camera. This is linked with putting the car into reverse (R).
- ⑫ **Parking Brake Lead (Blue/ Yellow)**
Connect this lead to the power supply side of the parking brake switch to transmit the parking brake status signals to the TME-M740BT.
- ⑬ **Switched Power Lead (Ignition) (Red)**
Connect this lead to an open terminal on the vehicle's fuse box or another unused power source which provides (+) 12V only when the ignition is turned on or in the accessory position.
- ⑭ **Ground Lead (Black)**
Connect this lead to a good chassis ground on the vehicle. Make sure the connection is made to bare metal and is securely fastened using the sheet metal screw provided.
- ⑮ **RGB Input Connector**
Connect this to the RGB output terminal of the Navigation System.
- ⑰ **Main monitor**
- ⑱ **Display cable / Power cable**
- ⑲ **Fuse Holder (2A)**

System Example

Connect the Navigation system, DVB-T and DVD Player



① Audio Input Connector (AUX IN) (White)

② Audio Input Connector (AUX IN) (Red)

③ Video Input Connector (AUX IN) (Yellow)

④ Remote Control Output Lead (AUX) (Brown/White)

Connect this lead to the remote control input lead. This lead outputs the controlling signals from the remote control.

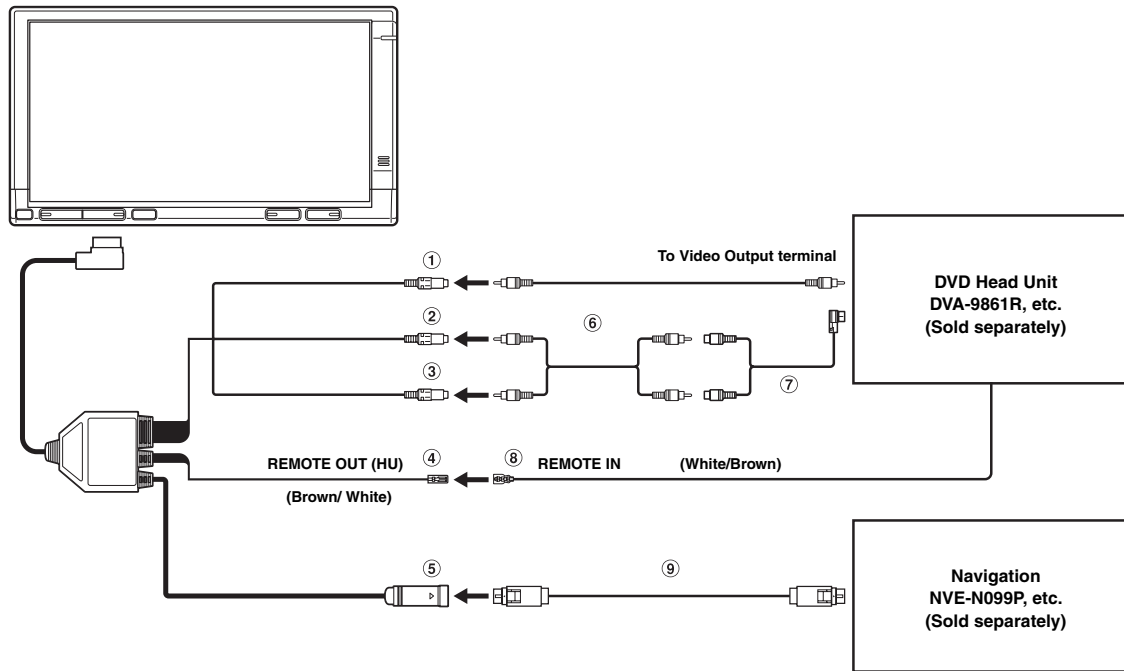
⑤ RGB Input Connector

⑥ RCA Extension Cable (Sold separately)

⑦ Remote Control Input Lead (White/Brown)

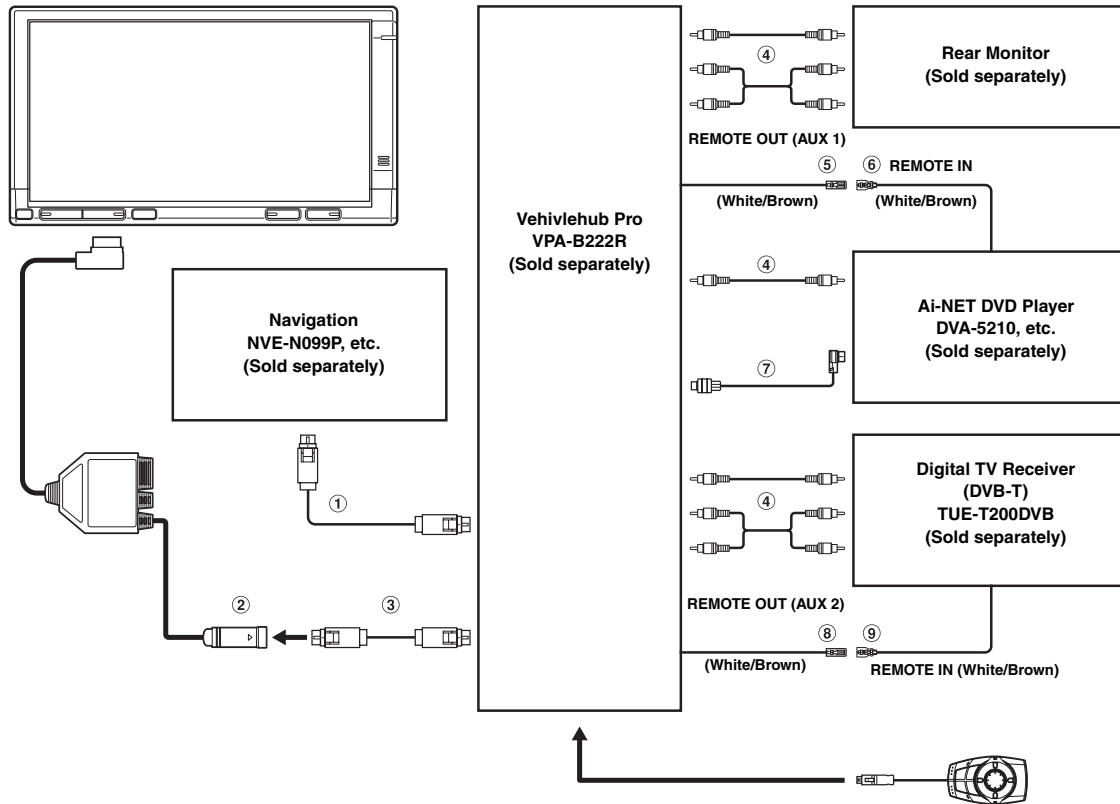
⑧ RGB Cable (Included with Navigation)

Connect the Navigation system and DVD Head Unit



- ① Audio Input Connector (AUX IN) (White)
- ② Audio Input Connector (AUX IN) (Red)
- ③ Video Input Connector (AUX IN) (Yellow)
- ④ Remote Control Output Lead (AUX) (Brown/White)
Connect this lead to the remote control input lead. This lead outputs the controlling signals from the remote control.
- ⑤ RGB Input Connector
- ⑥ RCA Extension Cable (Sold separately)
- ⑦ Ai-RCA Connector KCA-121B (Sold separately)
- ⑧ Remote Control Input Lead (White/Brown)
- ⑨ RGB Cable (Included with Navigation)

Connect the Vehiclehub Pro, Navigation system, DVB-T and DVD Player



- ① RGB Cable (Included with Navigation)
- ② RGB Input Connector
- ③ RGB Cable (Sold separately)
- ④ RCA Extension Cable (Sold separately)
- ⑤ Remote Control Output Lead (AUX 1) (White/Brown)
Connect this lead to the remote control input lead. This lead outputs the controlling signals from the remote control.

- ⑥ Remote Control Input Lead (White/Brown)
- ⑦ Ai-NET Cable (Included with DVD Head Unit)
- ⑧ Remote Control Output Lead (AUX 2) (White/Brown)
Connect this lead to the remote control input lead. This lead outputs the controlling signals from the remote control.
- ⑨ Remote Control Input Lead (White/Brown)