



# iLX-107



Alpine Tunelt App

- OWNER'S MANUAL  
Please read before using this equipment.
- MODE D'EMPLOI  
Veuillez lire avant d'utiliser cet appareil.
- MANUAL DE OPERACIÓN  
Léalo antes de utilizar este equipo.

Thank you for purchasing this Alpine product. Please take a moment to protect your purchase by registering your product now at the following address: [www.alpine-usa.com/registration](http://www.alpine-usa.com/registration). You will be informed of product and software updates (if applicable), special promotions, news about Alpine.

Merci d'avoir acheté ce produit Alpine. Nous vous invitons à consacrer un moment à la protection de votre achat en enregistrant votre produit dès maintenant à l'adresse suivante : [www.alpine-usa.com/registration](http://www.alpine-usa.com/registration).

Vous serez tenu informé des mises à jour des produits et des logiciels (le cas échéant), des promotions spéciales et de l'actualité d'Alpine.

Gracias por adquirir este producto Alpine. Con solo unos pocos pasos podrá proteger su producto, registrándolo a través de la siguiente dirección: [www.alpine-usa.com/registration](http://www.alpine-usa.com/registration). Recibirá información sobre nuevos productos y software, promociones especiales y novedades sobre Alpine.

**ALPINE ELECTRONICS OF AMERICA, INC.**  
19145 Gramercy Place, Torrance,  
California 90501, U.S.A.  
Phone 1-800-ALPINE-1 (1-800-257-4631)

**ALPINE ELECTRONICS MARKETING, INC.**

1-7, Yukigaya-Otsukamachi, Ota-ku,  
Tokyo 145-0067, JAPAN  
Phone: 03-5499-4531

**ALPINE ELECTRONICS France S.A.R.L.**

184 allée des Erables  
CS 52016 - Villepinte  
95 945 Roissy CDG cedex  
FRANCE  
Phone : + 33(0)1 48 63 89 89

**ALPINE ELECTRONICS OF AUSTRALIA PTY. LTD.**

161-165 Princes Highway,  
Hallam Victoria 3803, Australia  
Phone 03-8787-1200

**ALPINE ELECTRONICS GmbH**

Wilhelm-Wagenfeld-Str. 1-3, 80807 München, Germany  
Phone 089-32 42 640

**ALPINE ELECTRONICS OF U.K. LTD.**

Alpine House  
Fletchamstead Highway, Coventry CV4 9TW, U.K.  
[www.alpine.co.uk](http://www.alpine.co.uk)

**ALPINE ITALIA S.p.A.**

Viale Cristoforo Colombo, 8  
20090 Trezzano sul Naviglio MI, Italy  
Phone +39 02 484781

**ALPINE ELECTRONICS DE ESPAÑA, S.A.**

Portal de Gamarra 36, Pabellón, 32  
01013 Vitoria (Alava)-APDO 133, Spain  
Phone 945-283588

# Contents

## Operating Instructions

### WARNING

<b>WARNING</b> .....	<b>5</b>
<b>CAUTION</b> .....	<b>5</b>
<b>NOTICE</b> .....	<b>5</b>

### Features

About Apple CarPlay .....	7
About Home Screen .....	7

### Getting Started

Accessory List .....	8
Location of Controls .....	8
Touch Operation .....	8
Turning Power On or Off .....	8
Turning the System On .....	9
Adjusting the Volume .....	9
Muting the Sound .....	9
Operating an Item in a List .....	9
Using Siri .....	9
About Hands-Free Phone .....	10
Applying Alpine TuneIt App .....	10
Adjusting the sound Settings using Alpine Tunelt App .....	10

### Radio/RBDS

Listening to the Radio .....	11
Presetting Stations Manually .....	11
Presetting Stations Automatically .....	11
Tuning to Preset Stations .....	11
PTY (Program Type) Tuning (RBDS mode only) .....	11
Displaying Radio Text (RBDS mode only) .....	11

### Apple CarPlay (Optional)

Connecting your iPhone .....	12
Access to Apple CarPlay .....	12

### Auxiliary Device (Optional)

Operating Auxiliary Devices (Optional) .....	13
--	----

### Camera Operation (Optional)

Rear Camera Operation .....	14
Displaying the rear view video while the car is in reverse .....	14
Display the Rear View Video Manually .....	14
Guide Display On/Off Setting .....	14
Adjusting the Caution Display Location .....	14
Calling the Adjusted Values of the Camera .....	14
About the Rear Camera Guide .....	14
Other Camera Operation .....	16
About the Adjustment of the Caution Display Location .....	16
About the Adjusted Value of Image Quality .....	16

### Setup

#### Audio Setup

Audio Setup Operation .....	16
Adjusting Balance (Between Left and Right) .....	17
Adjusting Fader (Between Front and Rear) .....	17
Setting the Bass Level .....	17
Setting the Treble Level .....	17
Setting the Subwoofer .....	17
Turning Subwoofer ON/OFF .....	17
Adjusting the Subwoofer Level .....	17
Setting the Subwoofer Phase .....	17
Setting the Bass Engine SQ .....	17
Turning the Bass Engine SQ ON/OFF .....	17
Setting the Bass Engine SQ Type .....	17
Adjusting the Bass Engine SQ Level .....	18
Setting the Volume for Each Application .....	18
Setting the MX (Media Xpander) .....	18
Equalizer Presets (EQ Presets) .....	18
Setting Defeat .....	18

<b>Display Setup</b>	
Display Setup Operation .....	19
Switching Display Modes .....	19
Adjusting Brightness .....	19
Adjusting Color of Picture .....	19
Adjusting Image Contrast .....	19
Adjusting Picture Quality .....	19
Saving and calling the adjusted picture quality .....	20

<b>General Setup</b>	
General Setup Operation .....	20
Time Setting .....	20
Setting the Clock Display .....	20
Setting the Time .....	20
Setting the Daylight Saving Time .....	20
Language Setting .....	20
Setting the Menu Language .....	20
Text Scroll Setting .....	21
Setting the Scroll .....	21
Key Sound Setting .....	21
Adjusting the Operating Sound .....	21
Setting Mute when Reversing .....	21
Screen/Lighting Setting .....	21
Setting the Brightness of the Backlighting .....	21
Button Backlighting Adjustment .....	21
Display Backlighting Adjustment .....	21
Changing the Opening Image .....	21
About iLX-107 .....	21
Displaying the Product Information .....	21
Initializing the System .....	22
Demonstration Setup .....	22
Canceling the Demonstration .....	22

<b>Application Setup</b>	
Application Setup Operation .....	22
Camera Setting .....	22
Setting the Camera Input .....	22
Setting the Camera Signal Input .....	22
Adjusting the Rear Camera Guide .....	23
Camera Interrupt Setting (Power OFF Mode) (Rear Camera Only) .....	23
Auxiliary (AUX) Setting .....	23
Setting the Auxiliary (AUX) Mode .....	23
Factory System Setup .....	23
Setting the Source Category .....	23
Setting the Maestro Module .....	23

Apple CarPlay Setting .....	24
Setting the WLAN ON/OFF .....	24
Registering the Apple CarPlay Device .....	24
Steering wheel Setting .....	24
Setting the Siri Microphone Effect .....	24
Selecting the Output Speaker .....	24
Adjusting the Microphone Level .....	24
External Accessory Control Setup .....	24
Setting the External Accessory Control .....	24

## iDataLink Operation

Access to iDataLink Mode .....	25
About Parking Sensor screen .....	26
External Accessory Control Operation .....	27

## Information

Product Software Update .....	28
In Case of Difficulty .....	28
If this Message Appears .....	28
Specifications .....	29

---

# Installation and Connections

<b>Warning</b> .....	<b>30</b>
<b>Caution</b> .....	<b>30</b>
<b>Precautions</b> .....	<b>30</b>
Installation .....	31
Uninstalling the original car stereo .....	31
Mounting the GPS Antenna inside the vehicle .....	31
Mounting the Microphone .....	31
Installing the Unit .....	31
Fix the Cables etc. ....	32
Connections .....	34
System Example .....	36

## LIMITED WARRANTY

---

---

# Operating Instructions

## WARNING



**This symbol means important instructions. Failure to heed them can result in serious injury or death.**

---

### **INSTALL THE PRODUCT CORRECTLY SO THAT THE DRIVER CANNOT WATCH TV/VIDEO UNLESS THE VEHICLE IS STOPPED AND THE EMERGENCY BRAKE IS APPLIED.**

It is dangerous (and illegal in many states) for the driver to watch TV/Video while driving a vehicle. Installing this product incorrectly enables the driver to watch TV/Video while driving. This may cause a distraction, preventing the driver from looking ahead, thus causing an accident. The driver or other people could be severely injured.

---

### **DO NOT WATCH VIDEO WHILE DRIVING.**

Watching the video may distract the driver from looking ahead of the vehicle and cause an accident.

---

### **DO NOT OPERATE ANY FUNCTION THAT TAKES YOUR ATTENTION AWAY FROM SAFELY DRIVING YOUR VEHICLE.**

Any function that requires your prolonged attention should only be performed after coming to a complete stop. Always stop the vehicle in a safe location before performing these functions. Failure to do so may result in an accident.

---

### **KEEP THE VOLUME AT A LEVEL WHERE YOU CAN STILL HEAR OUTSIDE NOISES WHILE DRIVING.**

Excessive volume levels that obscure sounds such as emergency vehicle sirens or road warning signals (train crossings, etc.) can be dangerous and may result in an accident. LISTENING AT LOUD VOLUME LEVELS IN A CAR MAY ALSO CAUSE HEARING DAMAGE.

---

### **MINIMIZE DISPLAY VIEWING WHILE DRIVING.**

Viewing the display may distract the driver from looking ahead of the vehicle and cause an accident.

---

### **DO NOT DISASSEMBLE OR ALTER.**

Doing so may result in an accident, fire or electric shock.

---

### **USE ONLY IN CARS WITH A 12 VOLT NEGATIVE GROUND.**

(Check with your dealer if you are not sure.) Failure to do so may result in fire, etc.

---

### **KEEP SMALL OBJECTS SUCH AS SCREWS OUT OF THE REACH OF CHILDREN.**

Swallowing them may result in serious injury. If swallowed, consult a physician immediately.

---

### **USE THE CORRECT AMPERE RATING WHEN REPLACING FUSES.**

Failure to do so may result in fire or electric shock.

---

### **DO NOT BLOCK VENTS OR RADIATOR PANELS.**

Doing so may cause heat to build up inside and may result in fire.

---

### **USE THIS PRODUCT FOR MOBILE 12V APPLICATIONS.**

Use for other than its designed application may result in fire, electric shock or other injury.

---

### **DO NOT PLACE HANDS, FINGERS OR FOREIGN OBJECTS IN INSERTION SLOTS OR GAPS.**

Doing so may result in personal injury or damage to the product.



**This symbol means important instructions. Failure to heed them can result in injury or material property damage.**

---

### **HALT USE IMMEDIATELY IF A PROBLEM APPEARS.**

Failure to do so may cause personal injury or damage to the product. Return it to your authorized Alpine dealer or the nearest Alpine Service Center for repairing.



---

### **Product Cleaning**

Use a soft dry cloth for periodic cleaning of the product. For more severe stains, please dampen the cloth with water only. Anything else has the chance of dissolving the paint or damaging the plastic.

---

### **Temperature**

Be sure the temperature inside the vehicle is between +45°C (+113°F) and 0°C (+32°F) before turning your unit on.

---

### **Maintenance**

If you have problems, do not attempt to repair the unit yourself. Return it to your Alpine dealer or the nearest Alpine Service Station for servicing.

---

### **Installation Location**

Make sure the iLX-107 will not be installed in a location subjected to:

- Direct sun and heat
- High humidity and water
- Excessive dust
- Excessive vibrations

---

Operation of some of the functions of this unit is very complex. Because of this, it was deemed necessary to place these functions into a special screen. This will restrict operation of these functions to times when the vehicle is parked. This ensures the focus of the driver's attention will be on the road and not on the iLX-107. This has been done for the safety of the driver and passengers. Some setup operations cannot be made if the car is moving. The car must be parked and the parking brake must be engaged for the procedure described in the Owner's Manual to be valid. The warning "Unable to operate while driving." will be displayed if any attempts are made to perform these operations while driving.

---

- *The iLX-107 draws minimal current even when its power switch is turned off. If the switched power (ignition) lead of the iLX-107 is connected directly to the positive (+) post of the vehicle's battery, the battery may be discharged. An SPST (Single-Pole, Single-Throw) switch (sold separately) can be added to simplify this procedure. Then, you can simply place it in the OFF position when you leave the vehicle. Turn the SPST switch back ON before using the iLX-107. For connecting the SPST switch, refer to the "Connection Diagram of SPST Switch (sold separately)" (page 33). If the power (ignition) lead is unswitched, it must be disconnected from the battery post should the vehicle be left unused for an extended period of time.*

---

### Protecting the USB connector

- Only an iPhone 5 or later or Flash memory can be connected to the USB connector on this unit. Correct performance using other USB products cannot be guaranteed.
- If the USB connector is used, be sure to use only the supplied connector cable with the unit. A USB hub is not supported.
- USB Flash memory is used for data file transfer or updates only.
- This unit does not support Flash memory's Audio/Video playback or photo browse.

## CAUTION

*Alpine accepts no responsibility for lost data, etc., even if data, etc., is lost while using this product.*

- 
- *iPhone, iTunes and CarPlay are trademarks of Apple Inc., registered in the U.S. and other countries.*
  - *"Made for iPhone" means that an electronic accessory has been designed to connect specifically to iPhone, respectively, and has been certified by the developer to meet Apple performance standards. Apple is not responsible for the operation of this device or its compliance with safety and regulatory standards. Please note that the use of this accessory with iPhone may affect wireless performance.*

# Features

## About Apple CarPlay

Apple CarPlay allows your iPhone 5 or later to operate smoothly from this head unit.

## About Home Screen

The Home Screen for this unit gives direct access to those applications designed to work with Apple CarPlay. The Apple CarPlay icon will indicate whether the appropriate iPhone is connected.

- Available source differs depending on the connected device and settings.

### ■ When iPhone is connected



### ■ When iPhone is not connected



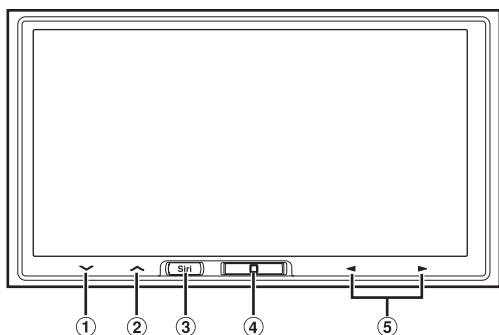
- ① Touch to change to Apple CarPlay Device list screen while "WLAN" is ON.
- ② Audio Setup icon.
- ③ Setup icon.

# Getting Started

## Accessory List

• iLX-107.....	1
• Power cable.....	1
• GPS Antenna .....	1
• Antenna mounting plate .....	1
• Cable clamp for antenna .....	1set
• USB extension cable .....	1
• PRE OUT cable.....	1
• Interface cable .....	1
• W.REMOTE cable .....	1
• Flush head screw (M5×8) .....	4
• Screw (M5×8) .....	4
• Microphone.....	1
• Face plate .....	1
• Owner's Manual.....	1set

## Location of Controls



- 1** **∨ button**  
Touch to turn down the volume. Touch and hold for at least 2 seconds to mute.
- 2** **∧ button**  
Touch to turn up the volume.
- 3** **Siri button**  
Press (or press and hold) to start the Siri function of the iPhone. When no iPhone is connected, press and hold for at least 2 seconds to activate Apple CarPlay Device list screen while "WLAN" is ON.
- 4** **Home button**  
Press to call up the Home Screen.  
Press and hold for at least 5 seconds to turn the power off.
- 5** **◀/▶ button**  
This action varies according to the Audio/Visual application. (Track Up/Down, Fast reverse/Fast forward, etc.)
  - You can reset the unit by pressing and holding **Home** and **Siri** buttons at the same time for 10 seconds.

### Steering Wheel remote interface compatible

With an optional Alpine Steering Wheel Remote Control Interface Box (not included), this unit is controllable from the vehicles steering wheel controls. For details, contact your Alpine dealer.

### About the button descriptions used in this Owner's Manual

The buttons found on the face of the unit are expressed in bold (e.g. **Home**). The buttons found on the touch-screen display are shown in bold within brackets, [ ] (e.g. [**X**]).

## Touch Operation

Many of the operations for this unit are accessible through a light touch on the integrated touch panel.

- Be sure to touch the onscreen button lightly with the pad of your finger to protect the display.
- If you touch a button and there is no reaction, remove your finger from the display once, and try again.
- Onscreen buttons that cannot be operated appear dull in color.

### Common onscreen buttons

- [<]: Returns to the previous screen. Depending on the function, this button may cancel the operations performed on the screen.
- [X]: Closes the window.



## Turning Power On or Off

- 1** Turn the ignition key to the ACC or ON position.  
The system turns on.
- 2** Press and hold the Home button for at least 5 seconds to turn the power OFF.

- The unit can be turned on by pressing **Home** button or **Siri** button.
- The iLX-107 is a precision device. Careful handling of the unit should provide you with years of trouble-free operation.



---

## Turning the System On

---

With the Alpine system, when the ignition key is turned to ACC or ON, the opening screen will be automatically displayed.

- 1 **When the system is used for the first time, the language selection menu is displayed. There are 20 languages to choose from. Touch the screen and slide your finger up or down, and then touch the desired language.**



- 2 **Touch [OK].**  
The radio screen is displayed.

- *Some of this unit's functions cannot be performed while the vehicle is in motion. Be sure to stop your vehicle in a safe location and apply the parking brake before attempting these operations.*

---

## Adjusting the Volume

---

**Adjust the volume by touching  $\nabla$  or  $\blacktriangle$ .**

Volume increases continuously by touching and holding  $\blacktriangle$ .

Volume: 0 - 35

---

## Muting the Sound

---

**Touch and hold  $\nabla$  for at least 2 seconds to activate the MUTE mode.**

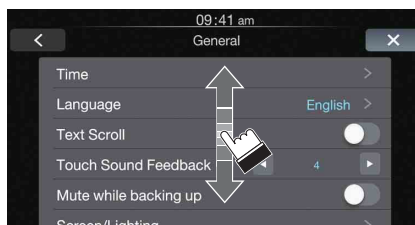
---

## Operating an Item in a List

---

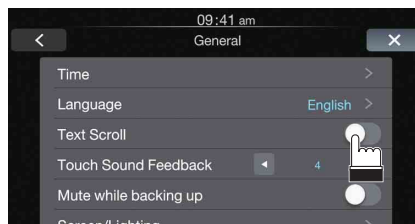
- 1 **To scroll through a list, touch the screen and slide your finger up or down.**

The screen will scroll along with your finger movement.



- *To make a selection, touch the screen at the desired item, and then lift your finger without moving the screen up or down.*

- 2 **Touch the button and slide your finger right or left to change ON/OFF.**



---

## Using Siri

---

You can use the Siri function of your iPhone. To use Siri from this unit, make sure that this function is enabled in your iPhone settings.

**Press Siri.**

## About Hands-Free Phone

When connected to this unit, your iPhone can be used as hands-free. Incoming calls are displayed with the caller's ID when available.

- About iPhone models usable with this unit, refer to *Apple CarPlay section (page 12)*.
- You can adjust the volume of the phone or select the speakers to be used for the call's audio. Refer to "Apple CarPlay Setting" (page 24).
- Avoid hands-free calls in heavy traffic or on narrow or winding roads. Keep your focus on driving to prevent an accident.
- Close the windows while calling to reduce background noise.
- When using a microphone, speak as directly as you can into the microphone to obtain the best sound quality.

## Applying Alpine Tunelt App

This unit's sound tuning is programmable from a connected iPhone. It is also possible to download specific parameters for certain vehicles from Alpine's Tunelt database stored in the Cloud. Using the Alpine Tunelt App, customized parameters can also be uploaded for others to share and rate.

The installed Alpine Tunelt App should be launched on the iPhone before connecting to the head unit.

Alpine Tunelt App, is downloadable from Apple's App Store. For details, consult your Alpine dealer.

- The application program and related specifications and data may be deleted or terminated without notice.
- About iPhone models usable with this unit, refer to *Apple CarPlay section (page 12)*.

## Adjusting the sound Settings using Alpine Tunelt App

After completing the procedure above, your iPhone can be used to make audio adjustments for this unit.

### 1 Make sure the unit is powered on.

### 2 Launch the Alpine Tunelt App on the iPhone. Adjust the unit's sound accordingly on the iPhone.

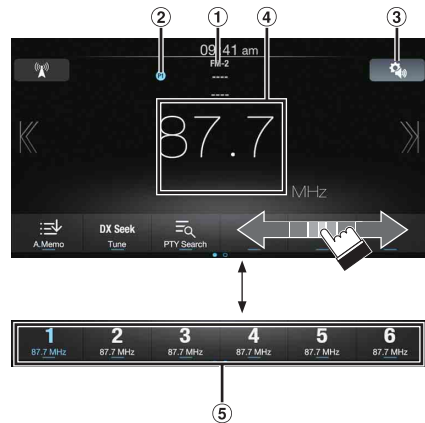
- Volume level cannot be adjusted via the iPhone.
- The setting cannot be done on both the iPhone and this unit at the same time.
- When the unit is powered off, sound setting cannot be done via the iPhone.
- Please obey all local traffic laws while using this function.

## Radio/RBDS

The RBDS (Radio Broadcast Data System) is a radio information system. This system allows you to receive a variety of information such as traffic information, station names.

- RBDS mode is only available during FM broadcast reception.

### ■ Display example for Radio main screen




- ① Band display
- ② Preset No. indicator display
- ③ Audio Setup button (see "Audio Setup Operation" on page 16)
- ④ Info area
- ⑤ Preset button

---

## Listening to the Radio

---

- 1 Press the Home button.**  
The Home screen is displayed.
- 2 Touch [Radio].**  
The radio mode is activated and the display changes to the Radio mode screen.
- 3 Touch [  ] to select the desired radio band.**  
Each touch changes the bands as follows:  
FM-1 → FM-2 → AM → FM-1
- 4 Touch [Tune] to select the tuning mode.**  
DX Seek      Local Seek      Manual  
◀◀ ▶▶      ◀◀ ▶▶      ◀◀ ▶▶
  - There are two modes you can select for auto tuning, DX and Local:
  - DX (Distance) mode;  
Both strong and weak stations will be tuned in.
  - Local mode;  
Only strong stations will be tuned in.  
The initial setting is DX.
  - If "Preset" or "PTY" appears, touch [Tune] repeatedly until a tuning mode is displayed.
- 5 Touch [◀◀], [▶▶] or [◀◀], [▶▶] to change the radio frequency up or down respectively.**  
In manual mode, touch and hold to change the frequency continuously.

---

## Presetting Stations Manually

---

- 1 Tune in a desired radio station you wish to store in the preset memory by manual or automatic seek tuning.**
  - 2 Touch and hold any one of the preset buttons for at least 2 seconds.**  
The selected station is stored.
  - 3 Repeat the procedure to store up to 5 other stations onto the same band.**  
To use this procedure for other bands, simply select the desired band and repeat the procedure.  
  
A total of 18 stations can be stored in the preset memory (6 stations for each band; FM-1, FM-2 or AM).
- If a preset memory has already been set in the same preset number, it will be cleared and the new station will be memorized.

---

## Presetting Stations Automatically

---

The tuner can automatically seek and store 6 strong stations in the selected band in order of frequency from low to high.

### After selecting the desired band, touch and hold [A.Memo] for at least 2 seconds.

The tuner automatically seeks and stores 6 strong stations into the preset buttons in order of frequency from low to high. When automatic storing has completed, the station stored in the preset 1 is selected.


- If no stations are stored, the tuner will return to the original station you were listening to before the automatic storing procedure began.
- You can cancel this process by touching [A.Memo] while the tuner is automatically seeking stations. Cancelling will return the tuner preset to the previous setting.

---

## Tuning to Preset Stations

---

Select the desired preset in any band to tune to the station stored in that preset number.

- 1 Touch [  ] repeatedly until the desired band is displayed.**
- 2 Touch any one of the preset buttons that has a station stored to it.**  
The preset station is received.

---

## PTY (Program Type) Tuning (RBDS mode only)

---


- 1 Touch [PTY Search].**  
The Select PTY list screen is displayed.
- 2 Touch the selected program type to start searching for a station of that type.**  
If no PTY station is found, "No PTY." will be displayed.
- 3 To select the station in PTY, touch [Tune] repeatedly during reception of a PTY station to display "PTY." And then, touch [◀], [▶].**

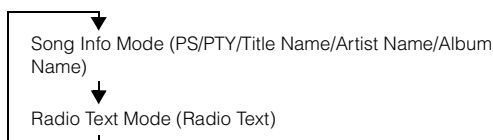
---

## Displaying Radio Text (RBDS mode only)

---

Text messages from a radio station can be displayed.

- 1 Tune in a radio station that transmits text messages.**
- 2 Touch the Info area (  ) (page 10) in FM radio mode repeatedly to switch to the desired display.**



# Apple CarPlay (Optional)

Apple CarPlay is a smarter, safer way to use your iPhone in the car. Apple CarPlay takes the things you want to do with your iPhone while driving and puts them right on iLX-107. You can get directions, make calls, send and receive messages, and listen to music, all in a way that allows you to stay focused on the road. Just plug in or wirelessly connect your iPhone via WLAN to iLX-107 and go.

- Before using this function, plug in your iPhone using Lighting to USB Cable (Supplied with iPhone) and make USB connection or wirelessly connect your iPhone via WLAN to iLX-107. For details, refer to “Connecting your iPhone” (page 12).
- Some functions may not be available while driving.

## About iPhone models usable with this unit

- The following devices have been tested and shown to work with this unit. Correct function of earlier versions cannot be guaranteed.

iPhone SE: Ver.9.3

iPhone 6s Plus: Ver.9.1

iPhone 6s: Ver.9.1

iPhone 6 Plus: Ver.9.1

iPhone 6: Ver.9.1

iPhone 5s: Ver.9.1

iPhone 5c: Ver.9.1

iPhone 5: Ver.9.1

## Connecting your iPhone

You can connect your iPhone to this unit via USB connection or WLAN by your prefer.

### By USB

Just plug in your iPhone using Lighting to USB Cable (Supplied with iPhone) to iLX-107. If an iPhone has been connected to this unit via WLAN, you should switch connection on Apple CarPlay Device list screen.

### By WLAN

Make sure to turn on WLAN on your iPhone and iLX-107. Also turn on Bluetooth on your iPhone before making this connection.

- 1 Select the “Alpine iLX-107” from the Bluetooth pairing list of your iPhone for pairing.**  
Make sure the unit is on Apple CarPlay devices screen for pairing.
- 2 Touch [pair] or [OK] after the same 6 character Passkey appears on your iPhone and this unit.**
- 3 If the connection was successful, the Apple CarPlay screen is displayed.**

- In order to use Apple CarPlay over WLAN, the vehicle’s Bluetooth must be turned off. Please do not pair to the vehicle’s Bluetooth connection to enable Apple CarPlay.
- You can also connect your iPhone from this unit. For details, refer to “Registering the Apple CarPlay Device” (page 24).
- When you disconnect a registered iPhone from USB connection on Apple CarPlay screen, it will change to WLAN connection automatically.

## Access to Apple CarPlay

- 1 Press the Home button.**  
The Home screen is displayed.
  - 2 Touch [Apple CarPlay].**  
The Apple CarPlay mode is activated.  
Touch the desired App icon on iLX-107, or use Siri function by pressing Siri button.  
When an iPhone 5 or later is reconnected to this unit during Radio, setup screen, etc., a message-“Apple CarPlay Connected” may be displayed on the top of screen for a short while. Touch the message to change to Apple CarPlay mode.
- The App must be Apple CarPlay compatible in order to appear in the Home screen.

# Auxiliary Device (Optional)

## Operating Auxiliary Devices (Optional)

To operate devices connected to the AUX terminals of iLX-107, follow the procedure described below.

- Turn on the “AUX In”. Refer to “Setting the Auxiliary (AUX) Mode” (page 23).

### **WARNING**

**It is dangerous (and illegal in many states) for the driver to watch TV/video while driving the vehicle. The driver may be distracted from looking ahead and an accident could occur.**

**Install the iLX-107 correctly so that the driver cannot watch TV/video unless the vehicle is stopped and the emergency brake is applied.**

**If the iLX-107 is not installed correctly, the driver will be able to watch TV/video while driving the vehicle and may be distracted from looking ahead and cause an accident. The driver or other people could be severely injured.**

- The video is disabled while driving.

### **1 Press the Home button.**

The Home screen is displayed.

### **2 Touch [AUX].**

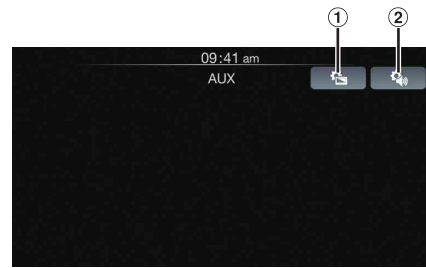
The Auxiliary (AUX) mode screen is displayed.

### **AUX Operation Screen Display During Video File Playback**

#### **Touch the screen.**

The Auxiliary (AUX) operation screen is displayed.

### ■ Example for AUX main screen



#### ①

Calls up the Display Setup screen. (See “Display Setup Operation” on page 19)

- The operation screen changes to the visual screen in the Auxiliary (AUX) mode for 5 seconds after an operation has been performed.

Touch the display panel to display the operation screen again.

#### ②

Calls up the Audio Setup screen. (See “Audio Setup Operation” on page 16)

# Camera Operation (Optional)

The video from an optional camera can be viewed from this head unit's display.

Depending on your camera, please choose the camera type first. For details, refer to "Setting the Camera Input" (page 22).

## Front camera:

When a HCE-C212F is connected, conditions in front of the vehicle, such as objects, people and other hazards, can be seen.

## Rear camera:

If a HCE-C252RD/HCE-C155/HCE-C125, etc., camera is connected, when the vehicle is reversed, the rear camera view (guide marks for vehicle width and available distance) is displayed automatically on the screen of this unit.

## Side camera:

If a side camera is connected, you can check for obstacles in the blind spot on the passenger side.

You can adjust the quality of the camera image.  
**Setting items: Brightness / Color / Contrast**  
Refer to "Display Setup Operation" (page 19).

## Rear Camera Operation

Set "Camera" to "Rear". Refer to "Setting the Camera Input" (page 22).

### Displaying the rear view video while the car is in reverse

- 1 Shift the gear lever to the reverse (R) position.**  
The rear view image is displayed while the car remains in reverse.
- 2 If you shift the gear lever to a position other than reverse (R), the monitor returns to the previous screen.**
  - Never depend solely on the camera when backing up. Always turn and look and only use the camera for additional assistance.
  - The Reverse wire must be properly connected for this function to be effective.

### Display the Rear View Video Manually

- 1 Press the Home button.**  
The Home screen is displayed.
- 2 Touch [Camera].**

### Guide Display On/Off Setting

- 1 Touch the screen when the image from the camera is displayed.**  
The operation screen is displayed on the screen.
  - After a 5-second time-out, the operation screen returns to the camera display screen.

- 2 Touch [Guide Off] on the Rear camera display screen.**  
The guide disappears, and then the [Guide Off] switch changes to [Guide On].
- 3 Touch [Guide On] to turn on the guide.**

### Adjusting the Caution Display Location

- 1 Touch the screen when the image from the camera is displayed.**  
The operation screen is displayed on the screen.
  - After a 5-second time-out, the operation screen returns to the camera display screen.
- 2 Touch [Caution ↑] or [Caution ↓].**
  - For each touch, the caution location moves to the top or bottom of the screen.

### Calling the Adjusted Values of the Camera

You can call the preset values of the camera in "Display Setup" (page 20).

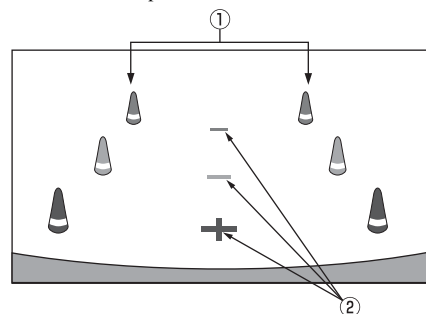
- 1 Touch the screen when the image from the camera is displayed.**  
The operation screen is displayed on the screen. After a 5-second time-out, the operation screen returns to the camera display screen.
- 2 Touch [Preset].**

## About the Rear Camera Guide

To display the guide, set "Guide Display On/Off Setting" (page 14) to On. Also, to adjust the guide, refer to "Adjusting the Rear Camera Guide" (page 23). You can also turn off the guide in the Rear camera display screen.

### ■ Indication mark meaning

When the car is put into reverse gear, the monitor switches to the rear view camera image. Guides appear to help visualize the car's width and distance from the rear bumper.



- ① Car width extension marks (red, yellow and green in order of distance)**  
If properly calibrated, the marks indicate the car's width. This helps guide the car's path when backing up in a straight line.  
The marks represent the distance from the rear of the car (at the end of the bumper).

- The marks do not move in synchronization with the steering wheel.
- Set the marks to suit the car's width.

## ② Distance guidance marks

The marks represent the distance from the rear of the car (from the end of the bumper).

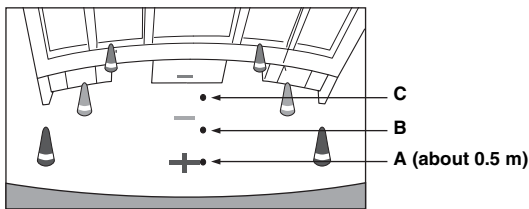
- The marks do not move in synchronization with the steering wheel.
- We recommend that you measure the actual distance to the marks when parked on a level surface.
- Depending on the condition of the car or road surface, the range of vision may vary.
- The camera has a limited range of vision. Objects at extreme angles to the camera (e.g. under the bumper or at opposite ends of the bumper) may not be in its field-of-vision.
- The rear camera image may have a tint which is different from the actual surroundings.
- Depending on the car, the guidance may deviate to the right or left. This is not a malfunction.

### Distance guidance mark

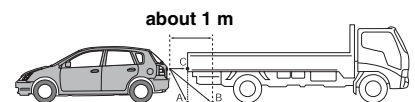
The distance guides represent the ground level distance from the rear bumper. It is difficult to accurately estimate the distance to objects above ground level.

In the following example, the distance to A is 0.5 m and the distance to B is 1 m.

<Screen>



<Positions of A, B and C>



In the screen, according to the distance guidance marks, the truck seems to be parked about 1 m away (at the position B). In actual fact, however, if you reversed to position A, you would collide with the truck. In the screen, positions A, B and C seem to be located in order of proximity. However, in actual fact, the position A and C are the same distance, and B is farther away than positions A and C.

- The car width extension mark represents the distance to the road surface. The distance to an object on the road is not accurately represented by the guides.
- In the following conditions, screen visibility may be impaired. This is not a malfunction.
  - When it is dark (during the night, etc.).
  - Under very high or very low temperature conditions.
  - When water drops adhere to the camera, or when the humidity is high (such as rainy weather, etc.).
  - When foreign bodies (such as mud, etc.) adhere to the camera or its peripheral area.

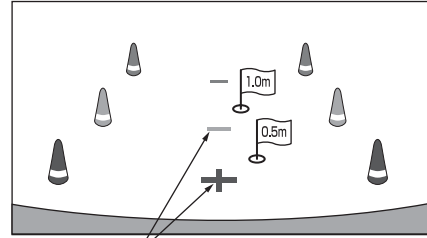
- When sunlight or headlights directly strike the camera lens.

### Error between the screen and the actual road surface

In the following conditions, errors are produced between the screen guidance and the actual road surface. (The illustrations represent a case when the camera is installed in the standard position.)

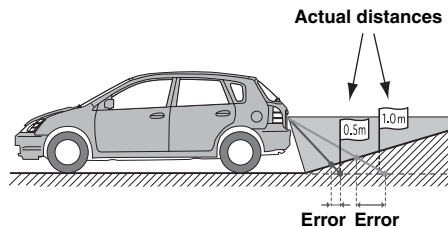
#### When there is a steep upward slope behind the car (example)

<Screen>



Distance guidance marks

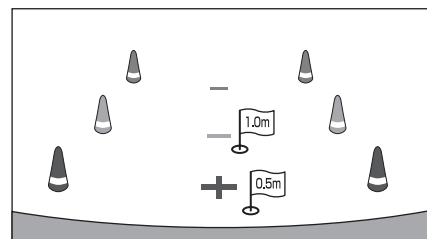
<Situation of the car>



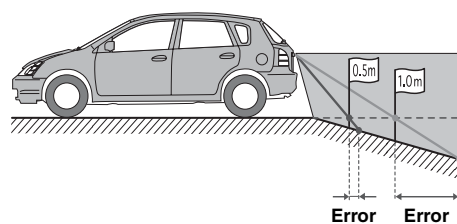
The distance guidance mark represents the distance to a flat road surface. Therefore in the case of an upward slope behind the car, the distance guides are displayed closer to the rear bumper than the actual distance. For example, if there is an obstacle on the upward slope, it may appear farther away than its actual position. Also, an error may occur between the guidance and the actual path of the car on the road surface.

#### When there is a steep downward slope behind the car (example)

<Screen>



<Situation of the car>



In the case of a downward slope behind the car, the distance guides are displayed farther from the rear bumper than the actual distance. If there is an obstacle on the downward slope, it seems closer than its actual position. Also, an error may occur between the guidance and the actual path of the car on the road surface.

## Other Camera Operation

Set "Front" or "Side" for "Camera" (page 22).

- 1 Press the Home button.**  
The Home screen is displayed.
- 2 Touch [Camera].**

### About the Adjustment of the Caution Display Location

The Caution display location for other cameras can be adjusted. Refer to "Adjusting the Caution Display Location" (page 14) for the operations.

### About the Adjusted Value of Image Quality

You can call the preset values of the camera in "Display Setup" (page 19). Refer to "Calling the Adjusted Values of the Camera" (page 14) for the operations.

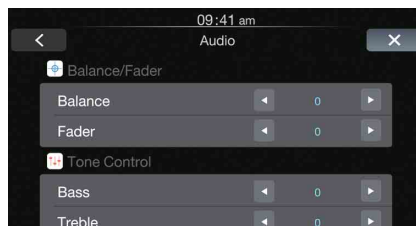
# Setup

## Audio Setup

### Audio Setup Operation

The following steps 1 to 5 are common operations to each "Setting item" of Audio Setup. Refer to each section for details.

- 1 Touch [ ⚙ ] on the Home screen.**  
The Setup main screen is displayed.
- 2 Touch [Audio].**  
The Audio Setup screen appears.
  - You can display the Audio Setup screen from each application screen. Touch [ ⚙ ] on any application screen.
- 3 Select the desired item.**  
If ">" appears, there is another hierarchy. Touch the desired item.  
If ">" does not appear, proceed to step 4.



**Setting items:** Balance / Fader / Bass / Treble / Subwoofer / Subwoofer Level / Subwoofer Phase / Bass Engine SQ / Bass type / Bass level / Application Volume / Media Xpander / EQ Presets / Defeat

- Depending on the setting, displayed items may differ.
- 4 Touch [◀] or [▶] etc., to change its setting.**
  - 5 Touch [X] to return to the main application screen.**  
Touch [◀] to return to the previous screen.
    - Immediately after changing the Audio Setup (while the system is writing data automatically) do not turn the ignition key to OFF. Otherwise, the settings may not be changed.
    - For details on how to operate the list screen, refer to page 9.

### About Alpine TuneIt App

You can also set the Audio Setup of this unit through the Alpine TuneIt App installed to your iPhone. It is also possible to download specific parameters for certain vehicles from Alpine's TuneIt database. Using the Alpine TuneIt App, customized parameters can also be uploaded for others to share and rate. In Sound control mode, "TuneIt connected." is displayed on the Audio Setup screen, and you cannot perform any operation.



- *Alpine TuneIt App* is downloadable from Apple's App Store.
- *Time Correction, Crossover and Parametric EQ* can be set only through the *Alpine TuneIt App*.
- Also refer to "Applying *Alpine TuneIt App*" on page 10.

## Adjusting Balance (Between Left and Right)

Adjust the right and left speaker volumes.

**Setting item: Balance**

**Setting contents: L (left) 15 to R (right) 15 (Initial setting: 0)**

## Adjusting Fader (Between Front and Rear)

Adjust the front and rear speaker volume.

**Setting item: Fader**

**Setting contents: F (front) 15 to R (rear) 15 (Initial setting: 0)**

## Setting the Bass Level

You can emphasize or weaken the bass level.

**Setting item: Bass**

**Setting contents: -7 to +7 (Initial setting: 0)**

- The function is disabled when *Defeat* is set to "ON".
- The function is disabled when *Bass Engine SQ* is set to "ON".

## Setting the Treble Level

You can emphasize or weaken the treble level.

**Setting item: Treble**

**Setting contents: -7 to +7 (Initial setting: 0)**

- The function is disabled when *Defeat* is set to "ON".
- The function is disabled when *Bass Engine SQ* is set to "ON".

## Setting the Subwoofer

### Turning Subwoofer ON/OFF

If an optional subwoofer is connected to the unit, make the following setting.

**Setting item: Subwoofer**

**Setting contents: ON / OFF (Initial setting)**

- The function is disabled when *Bass Engine SQ* is set to "ON", and the *Bass Engine SQ* parameter downloaded from *Alpine TuneIt App* is applied.

## Adjusting the Subwoofer Level

You can set the Subwoofer level when a Subwoofer is connected.

**Setting item: Subwoofer Level**

**Setting contents: 0 to 15 (Initial setting: 0)**

- If the Subwoofer setting is "OFF", the setting cannot be set.
- The function is disabled when *Bass Engine SQ* is set to "ON".

## Setting the Subwoofer Phase

The subwoofer output phase is toggled Subwoofer Normal (0°) or Subwoofer Reverse (180°).

**Setting item: Subwoofer Phase**

**Setting contents: 0° (Initial setting) / 180°**

- If the Subwoofer setting is "OFF", the setting cannot be set.

## Setting the Bass Engine SQ

*Bass Engine SQ* is used to easily add impact of varying levels to your music. Using the different levels available, the Bass impact can be adjusted for different types of music.

- Using the *Alpine TuneIt App*, you can download the optimal *Bass Engine SQ* tuning data for your speaker system.

## Turning the Bass Engine SQ ON/OFF

Set to "ON" to use the *Bass Engine SQ* function.

**Setting item: Bass Engine SQ**

**Setting contents: OFF (Initial setting) / ON**

- The function is disabled when *Defeat* is set to "ON".

## Setting the Bass Engine SQ Type

You can set your favorite *Bass Engine SQ* type.

**Setting item: Bass type**

**Setting contents: Standard (Initial setting) / Punch / Low Bass / Mid Bass / Rich**

**Standard:** A mild low-end boost to overcome road noise.

**Punch:** A heavier boost with more low-end impact (punch).

**Low Bass:** Enhance the very low bass to give a much heavier presence without the punchy mid-bass.

**Mid Bass:** Focused more on mid-bass for systems with smaller subwoofers.

**Rich:** Add boost to all low-end bands for a more bass-filled sound.

- The function is disabled when *Defeat* is set to "ON".
- The function is disabled when *Bass Engine SQ* is set to "OFF".

## Adjusting the Bass Engine SQ Level

With BASS ENGINE SQ ON, adjusting the Bass level uniformly effects various sound parameters for optimum Bass effect.

**Setting item: Bass level**

**Setting contents: 0 to 6 (Initial setting: 3)**

- Adjustable only when Defeat is Off.
- The Bass parameters affected contain Bass Level, Treble Level, EQ PRESETS, Parametric EQ\*, SUBWOOFER\*, Subwoofer Level, Media Xpander, X-Over\* and Time correction\*. These items are set automatically in BASS ENGINE SQ mode and cannot be adjusted separately.
- From Level 0 to Level 6, the effect of BASS ENGINE SQ increases level by level.

\* When set this item via Alpine TuneIt App.

### **About Setup when the external power amplifier is connected**

In order to optimize the Bass Engine SQ, we recommend the following procedure to set up the power amplifier.

After setting up, the Bass Engine SQ Level will be adjusted according to the music.

- 1) Set GAIN of the power amplifier to "MIN".
- 2) Set the Crossover Mode Sector switch to "OFF".
- 3) Set the Bass Engine SQ of this unit to "ON", and the Bass Engine SQ Level to "3".
- 4) Play a song of the genre you frequently listen to, and adjust GAIN of the power amplifier.

## Setting the Volume for Each Application

The volume level for each application can be adjusted.

**Setting item: Application Volume**

**Further setting item: Radio / Factory Audio / Apple CarPlay / Auxiliary (AUX)**

**Setting contents\*: -14 to +14 (Initial setting: 0)**

\* Only for Radio, Factory Audio and Auxiliary (AUX) mode.

- Settable applications differ depending on the connected device and settings.

### **Setting the Volume for Apple CarPlay**

When an iPhone 5 or later is connected, after touching [Apple CarPlay], you can adjust Media, Phone Calls, Ringtones & Alerts level, Notifications & Guidance level and Siri for Apple CarPlay mode.

**Setting item: Media / Phone Calls / Ringtones & Alerts / Notifications & Guidance / Siri**

**Setting contents for Media: -14 to +14 (Initial setting: 0)**

**Setting contents for Phone Calls / Ringtones & Alerts / Siri: 1 to 11 (Initial setting: 5)**

**Setting contents for Notifications & Guidance: 1 to 7 (Initial setting: 4)**

## Setting the MX (Media Xpander)

The FM radio, Factory Audio, Apple CarPlay and Auxiliary (AUX), will be able to reproduce the music clearly, even in cars when there is a lot of road noise.

**Setting item: Media Xpander**

**1 Turn on the Media Xpander.**

**2 Touch [◀] or [▶] to select your preferred level, or Off.**

**FM**

The medium to high frequencies become more clear, and produces well balanced sound in all the bands.

**Factory Audio**

This corrects information that was omitted at the time of compression. This reproduces a well-balanced sound close to the original.

**Apple CarPlay (CMPM)**

This corrects information that was omitted at the time of compression. This reproduces a well-balanced sound close to the original.

**Auxiliary (AUX)**

Choose the MX mode (CMPM, MOVIE, or MUSIC) that corresponds to the media connected.

- Settable applications differ depending on the connected device and settings.
- To cancel MX mode for all music applications, turn off Media Xpander in step 1.
- There is no MX mode for AM radio.
- Factory Media (USB/iPod)/Factory SiriusXM correspond to Factory Audio.
- The function is disabled when Defeat is set to "ON", or Bass Engine SQ is set to "ON".

## Equalizer Presets (EQ Presets)

10 typical equalizer settings are preset at the factory for a variety of musical source material.

**Setting item: EQ Presets**

**Setting contents: FLAT (Initial setting) / POP / ROCK / NEWS / JAZZ / ELECTRONIC / HIP HOP / EASY LISTENING / COUNTRY / CLASSICAL**

- "USER" is displayed when Bass/Treble level is adjusted or any change of Parametric is adjusted via Alpine TuneIt App.
- Only one type is selectable for playback.
- The function is disabled when Defeat is set to "ON".
- The function is disabled when Bass Engine SQ is set to "ON".

## Setting Defeat

If Defeat is "On", Bass Level, Treble Level, Bass Engine SQ, MX and EQ Presets functions are turned OFF. This disables any settings made for these functions.

**Setting item: Defeat**

**Setting contents: OFF (Initial setting) / ON**

# Display Setup

## Display Setup Operation

### To display the Display Setup Menu screen:

Your vehicle must be parked with the ignition key in the ACC or ON position. To do this, follow the procedures below.

- 1 Bring your vehicle to a complete stop at a safe location. Engage the parking brake.
- 2 Release the parking brake. (For safety, release the parking brake while depressing the foot brake pedal).
- 3 Engage the parking brake again.

• For automatic transmission vehicles, place the transmission lever in the Park position.

Now, the locking system for the Setup operation has been released. Engaging the parking brake can reactivate the Display Setup Menu, as long as the car's ignition has not been turned off. It is not necessary to repeat the above procedure (1 through 3) of "To display the Display Setup Menu screen."  
Each time the ignition is turned OFF, perform the procedure of "To display the Display Setup Menu screen."

The following steps 1 to 6 are common operations to each "Setting item" of Display Setup. Refer to each section for details.

### 1 Touch [⚙️] on the Home screen.

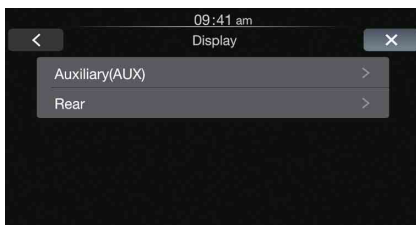
The Setup main screen is displayed.

### 2 Touch [Display].

The Display Setup screen appears.

- You can display the Display Setup screen from each application screen. Touch [📺] on any application screen (video mode).

### 3 Touch the desired application.



- "Auxiliary (AUX)" can be selected while in AUX mode.
- The camera names set under the "Camera" settings are displayed. The camera names are not displayed when "Off" is set (page 22).

### 4 Touch [➤] of the desired item.

Settable items differ depending on the application.

■ [Auxiliary (AUX)]:  
Display Mode / Brightness / Color / Contrast / Sharpness

■ [Camera]:  
Brightness / Color / Contrast

### 5 Touch [◀] or [▶] to change its setting.

### 6 Touch [X] to return to the main application screen.

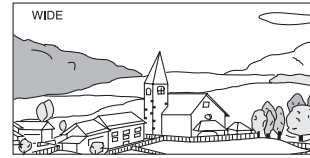
Touch [◀] to return to the previous screen.

- Immediately after changing the settings of Display Setup (While the system is writing data automatically) do not turn the ignition key to OFF. Otherwise, the settings may not be changed.

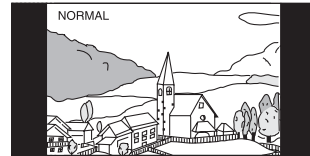
## Switching Display Modes

Setting item: Display Mode

Setting contents: WIDE (Initial setting) / NORMAL



In WIDE mode, the picture is stretched horizontally to fill the entire display.



In NORMAL mode, the monitor displays a normal picture at the center of the screen with a vertical black band at each side.

## Adjusting Brightness

Setting item: Brightness

Setting contents: -15 to +15 (Initial setting: 0)

You can adjust the brightness between MIN (-15) and MAX (+15). When it reaches the minimum or maximum point, the display shows "MIN" or "MAX" respectively.

## Adjusting Color of Picture

Setting item: Color

Setting contents: -15 to +15 (Initial setting: 0)

You can adjust the Color between MIN (-15) and MAX (+15). When it reaches the minimum or maximum point, the display shows "MIN" or "MAX" respectively.

## Adjusting Image Contrast

Setting item: Contrast

Setting contents: -15 to +15 (Initial setting: 0)

You can adjust the contrast between MIN (-15) and MAX (+15). When it reaches the minimum or maximum point, the display shows "MIN" or "MAX" respectively.

## Adjusting Picture Quality

Setting item: Sharpness

Setting contents: -3 to +3 (Initial setting: 0)

Picture quality adjustment range is -3 to +3. "SOFT" and "HARD" appear as the minimum and maximum values.

## Saving and calling the adjusted picture quality

When adjusting Camera, you can store the settings made for “Adjusting Brightness, Color, and Contrast”.

**Setting item: Preset1 / Preset2**

- 1 After completing “Adjusting Brightness, Color, and Contrast” (page 19), touch and hold [Preset1] or [Preset2] to save the settings.
- 2 Touch [Preset1] or [Preset2] to call the saved settings.

## General Setup

### General Setup Operation

#### To display the General Setup Menu screen:

Your vehicle must be parked with the ignition key in the ACC or ON position. To do this, follow the procedures below.

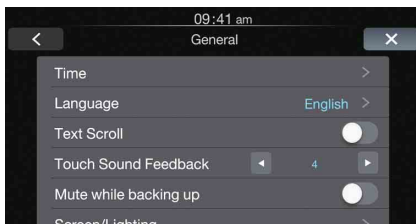
- 1 Bring your vehicle to a complete stop at a safe location. Engage the parking brake.
- 2 Release the parking brake. (For safety, release the parking brake while depressing the foot brake pedal).
- 3 Engage the parking brake again.

- For automatic transmission vehicles, place the transmission lever in the Park position.

Now, the locking system for the General mode operation has been released. Engaging the parking brake can reactivate the General Setup Menu, as long as the car's ignition has not been turned off. It is not necessary to repeat the above procedure (1 through 3) of “To display the General mode screen.” Each time the ignition is turned OFF, perform the procedure of “To display the General mode screen.”

The following steps 1 to 4 are common operations to each “Setting item” of General Setup. Refer to each section for details.

- 1 Touch [⚙️] on the Home screen.  
The Setup main screen is displayed.
- 2 Touch [General].  
The General Setup screen appears.
- 3 Touch [◀] or [▶] etc., of the desired item to change its setting. For items that have “>,” touch the item to display the screen for the next hierarchy.



**Setting items: Time / Language / Text Scroll / Touch Sound Feedback / Mute while backing up / Screen / Lighting / About / Demo mode**

- Depending on the item, repeat step 3.
- Depending on the setting, displayed items may differ.

- 4 Touch [X] to return to the main application screen.  
Touch [◀] to return to the previous screen.

- Immediately after changing the settings of General Setup (While the system is writing data automatically) do not turn the ignition key to OFF. Otherwise, the settings may not be changed.

## Time Setting

### Setting the Clock Display

You can select the clock display type, 12-hour or 24-hour, depending on your preference.

**Setting item: Clock Mode**

**Setting contents: 12h (Initial setting) / 24h**

### Setting the Time

**Setting item: Clock Adjust**

**Additional items: Hour / Minute**

**Setting contents: 1-12 or 0-23 / 0-59**

Hour: Adjust the hour.

Minute: Adjust the minute.

- Touch and hold [◀] or [▶] to run through a change sequence automatically.

### Setting the Daylight Saving Time

**Setting item: Daylight Saving**

**Setting contents: ON / OFF (Initial setting)**

ON: Turn Daylight Saving Time mode ON. The time advances by one hour for areas observing Daylight Saving Time.

OFF: Return to the ordinary time.

## Language Setting

### Setting the Menu Language

The Setup menu, feedback information, etc. for this unit can be changed to appear in the selected language.

**Setting item: Language**

**Setting contents:** English / Deutsch / Français / Español / Português / Italiano / Nederlands / Suomi / Norsk / Svenska / Dansk / русский язык / Slovenčina / Polski / Čeština / Magyar / Ελληνικά / ภาษาไทย / Türkçe / 中文

- Touch [OK] to confirm the language and display the screen in the specified language.

---

## Text Scroll Setting

---

### Setting the Scroll

The text messages in the audio screen are scrolled.

**Setting item:** *Text Scroll*

**Setting contents:** *OFF (Initial setting) / ON*

OFF: Turns off the scroll mode.

ON: Turns on the Auto scroll mode. Scroll display is repeated while the vehicle is parked.

---

## Key Sound Setting

---

### Adjusting the Operating Sound

You can change the volume of the sound heard when a button is touched.

**Setting item:** *Touch Sound Feedback*

**Setting contents:** *0 to 7 (Initial setting: 4)*

---

## Setting Mute when Reversing

---

You can set whether to mute the playing music when the gear lever is moved to the reverse (R) position.

**Setting item:** *Mute while backing up*

**Setting contents:** *OFF (Initial setting) / ON*

---

## Screen/Lighting Setting

---

### Setting the Brightness of the Backlighting

Backlighting is provided by LEDs behind the liquid crystal panel. The illumination control adjusts the brightness of the backlighting based on the car's ambient lighting for easier viewing.

**Setting item:** *Dimmer*

**Setting contents:** *Auto (Initial setting) / On / Off*

Auto: Adjust the brightness of the background illumination of the monitor automatically to the brightness of the car interior.

On: Keep the background illumination of the monitor dark.

Off: Deactivate Auto Dimmer mode to keep the background illumination of the monitor bright.

- When "Auto" or "On" is set, the setting is also applied for the button lighting in "Button Backlighting Adjustment" (page 21), and "Display Backlighting Adjustment" (page 21).

### Button Backlighting Adjustment

You can adjust the brightness of the button lighting at night with the dimmer.

**Setting item:** *Key Illumination Level*

**Setting level:** *-2 to +2 (Initial setting: 0)*

### Display Backlighting Adjustment

You can adjust the brightness of the backlight. This function could be used, for instance, to change the screen brightness while traveling at night.

**Setting item:** *Screen Dimmer Level*

**Setting content:** *-15 to +15 (Initial setting: 0)*

You can adjust the level between MIN (-15) and MAX (+15). When it reaches the minimum or maximum point, the display shows "MIN" or "MAX" respectively.

### Changing the Opening Image

You can set the image file for the opening screen. Copy your desired image file from a Flash Memory device.

**Setting item:** *Opening Customization*

**Setting contents:** *Default (Initial setting) / User*

The file selected in the User mode will be copied according to the following procedure.

- 1 **Connect the Flash Memory device which contains the BMP file to be copied to the unit.**
- 2 **After the confirmation message is displayed, touch [OK].**  
The Opening image is changed.

#### Compatible image files

File format:	BMP
Image size:	800 × 480 pixels, RGB 24 bit or less
Folder Name:	OPENINGFILE
File Name:	openingfile.bmp

---

## About iLX-107

---

Touch [About] on the General setup menu in step 3. Refer to "General Setup Operation" (page 20).

### Displaying the Product Information

You can view the model name, serial number, version information of this product and BLUETOOTH information. Make note of the version information and refer to it whenever you contact Alpine Tech Support or an Alpine-authorized dealer.

**Contents:** *iLX-107 (model name) / Serial Number / Firmware Version / Bluetooth Device Name / Bluetooth Device Address*

## Initializing the System

You can initialize all data, to restore the factory settings. Remove the USB Flash memory, from the system before operation

**Setting item:** *Clear All Settings*

- 1 Touch [**RESET**] of “Clear All Settings”.
- 2 After the confirmation message appears, touch [**OK**].

The system starts initialization.

- Do not turn on/off the power, change the ignition key position or remove the screen panel until system restart is completed.

## Demonstration Setup

[**Demo mode**] is selected on the General setup menu in step 3. Refer to “General Setup Operation” (page 20).

### Canceling the Demonstration

This unit has a Demonstration feature for the display. To start demo mode, set Demo mode to ON.

**Setting item:** *Demo mode*

**Setting contents:** *OFF (Initial setting) / ON*

- If you perform an operation during the Demo mode, the demonstration is temporarily stopped.

## Application Setup

### Application Setup Operation

#### To display the Application Setup Menu screen:

Your vehicle must be parked with the ignition key in the ACC or ON position. To do this, follow the procedures below.

- 1 Bring your vehicle to a complete stop at a safe location. Engage the parking brake.
- 2 Release the parking brake. (For safety, release the parking brake while depressing the foot brake pedal).
- 3 Engage the parking brake again.

- For automatic transmission vehicles, place the transmission lever in the Park position.

Now, the locking system for the Setup operation has been released. Engaging the parking brake can reactivate the Application Setup Menu, as long as the car's ignition has not been turned off. It is not necessary to repeat the above procedure (1 through 3) of “To display the Application Setup Menu screen”. Each time the ignition is turned OFF, perform the procedure of “To display the Application Setup Menu screen”.

The following steps 1 to 5 are common operations to each “Setting item” of Application Setup. Refer to each section for details.

- 1 Touch [**⚙**] on the Home screen.  
The Setup main screen is displayed.
- 2 Touch [**Application**].  
The Application Setup screen appears.
- 3 Select the desired item.  
If “>” appears, there is another hierarchy level. Touch the desired item.  
If “>” does not appear, proceed to step 4.



**Setting items:** *Camera / Auxiliary (AUX) / Factory Audio / Apple CarPlay / External Accessory Ctrl*

- 4 Touch [**◀**] or [**▶**] etc., to change its setting.
  - 5 Touch [**×**] to return to the main application screen.  
Touch [**<**] to return to the previous screen.
- Immediately after changing the Application Setup (while the system is writing data automatically) do not turn the ignition key to OFF. Otherwise, the settings may not be changed.

## Camera Setting

[**Camera**] is selected on the Application setup menu in step 3. Refer to “Application Setup Operation” (page 22).

### Setting the Camera Input

With an optional camera connected, its video is output to the monitor. When the camera is connected, set this item.

**Setting item:** *Position*

**Setting contents:** *Off (Initial setting) / Front / Side / Rear*

Front:	Front camera
Side:	Side camera
Rear:	Rear camera

After selecting “Rear”, “Front” or “Side” in the “Position” setting, touch [**Position**], the following additional items can be adjusted.

### Setting the Camera Signal Input

When the camera is connected, the video input signal type can be selected.

**Further setting item:** *Camera Signal*

**Setting contents:** *NTSC (Initial setting) / PAL*

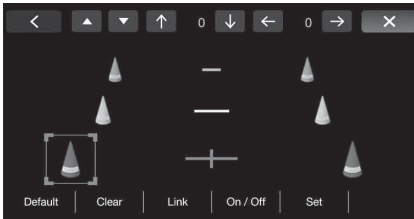
NTSC/PAL: Choose the video input signal type manually.

## Adjusting the Rear Camera Guide

If you select “Rear,” you can adjust the camera guide position.

### Setting item: Guide Adjustment

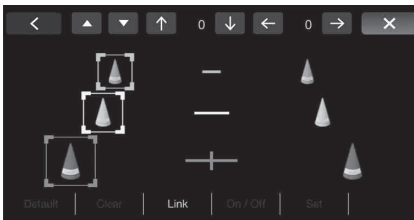
- 1 **Touch [Guide Adjustment].**  
The camera guide adjustment screen is displayed.
  - 2 **Touch the guide you intend to adjust.**  
Guide line can also be selected by touching [▲][▼].
- Display example for rear camera mode



- 3 **Touch [↑], [↓], [←] or [→] to adjust the position of the guide.**
  - Touching [Clear] clears adjustments and returns to the setting before guide line alteration.
- 4 **After the adjustment is completed, touch [Set].**

### Adjusting guides simultaneously

- 1 **Touch [Link].**  
The 3 vertical guides of the currently-selected guide link together, allowing them to be adjusted simultaneously.



### Turning guide display On/Off

Turning the selected guide off.

- 1 **Touch [On/Off].**  
The currently selected guide will turn off.
- 2 **To turn the guide on, touch [On/Off] again.**
  - Guides that are turned off are still adjustable.

### Returning guides to default.

- 1 **Touch [Default].**  
A message window will appear.
- 2 **Touch [OK].**  
Adjusted values will return to default settings.

## Camera Interrupt Setting (Power OFF Mode) (Rear Camera Only)

You can set whether to display the rear camera image when the gear lever is moved to the reverse (R) position while the unit is turned off. You can select this item only when Camera Select is “Rear.”

**Setting item: Interrupt (Power OFF)**  
**Setting contents: ON (Initial setting) / OFF**

## Auxiliary (AUX) Setting

[Auxiliary (AUX)] is selected on the Application setup menu in step 3. Refer to “Application Setup Operation” (page 22).

### Setting the Auxiliary (AUX) Mode

**Setting item: AUX In**  
**Setting contents: OFF / ON (Initial setting)**

- OFF: AUX source is not displayed.
- ON: AUX source is displayed and the video input signal type (NTSC or PAL) will be automatically selected.

## Factory System Setup

[Factory Audio] is selected on the Application Setup Menu screen in step 3. See “Application Setup Operation” (page 22).

- This setting item not displayed when no iDataLink module is connected.

### Setting the Source Category

You can set whether the following source icon from iDataLink module in the Home screen is available.

**Setting item: USB/iPod (Initial setting: OFF) / SiriusXM (Initial setting: OFF)**  
**Setting contents: ON / OFF**

### Setting the Maestro Module

You can change the setting of the connected iDataLink module.

**Setting item: Maestro Module**

- Depending on the iDataLink module, the setting contents may differ.

## Apple CarPlay Setting

[Apple CarPlay] is selected on the Application setup menu in step 3. Refer to “Application Setup Operation” (page 22).

### Setting the WLAN ON/OFF

You can enjoy wireless connection between iLX-107 and iPhone instead of USB connection in Apple CarPlay mode.

**Setting item: WLAN**

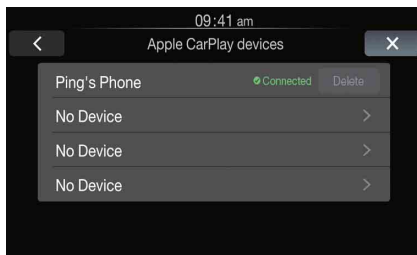
**Setting contents: OFF / ON (Initial setting)**

- OFF: WLAN function is not available.
- ON: WLAN function is available. At this time, an iPhone can be connected to this unit via WLAN. After connected via WLAN, you can enjoy Apple CarPlay on iLX-107 wirelessly.

- After the above setting, turn the ignition key off (ACC OFF) and on (ACC ON) again.

### Registering the Apple CarPlay Device

After turning on the “WLAN”, this item can be carried out. This function is used when an Apple CarPlay Device is searched and connected from this unit, or an Apple CarPlay Device is registered.



- You can touch [🔍] on Home screen to change to Apple CarPlay devices list while “WLAN” is ON.
- When no iPhone is connected, you can also change to Apple CarPlay devices list by pressing and holding Siri button.

#### 1 Touch [➤] of No Device to search for an Apple CarPlay device.

Make sure the iPhone is on Bluetooth devices screen for pairing. A maximum of 10 Apple CarPlay devices can be searched.

- If a confirmation prompted, touch [OK] to disconnect the currently connecting iPhone and continue to search other Apple CarPlay devices. Touch [Cancel] to keep the current connection and stop the search.

#### 2 Touch a desired Apple CarPlay device to connect and then follow the prompt to operate.

- If an Apple CarPlay device has been registered, touch [Connect] directly.
- Touch [Delete] to omit registered Apple CarPlay device. However, you cannot delete the connecting Apple CarPlay device.

### Steering wheel Setting

This setting influences Apple CarPlay mode.

**Setting item: Steering wheel**

**Setting contents: Left (Initial setting) / Right**

### Setting the Siri Microphone Effect

You can turn on or off the Siri Microphone Effect.

**Setting item: Microphone EC / NR**

**Setting contents: ON (Initial setting) / OFF**

### Selecting the Output Speaker

You can select which speaker in the car will output the audio from the phone.

**Setting item: Call Speaker Select**

**Setting contents: All (Initial setting) / Front L / Front R / Front LR**

- All: The sound is output from all speakers in car.
- Front L: The sound is only output from the front left speaker.
- Front R: The sound is only output from the front right speaker.
- Front LR: The sound is output from the front left and front right speakers.

### Adjusting the Microphone Level

You can adjust the transmit volume.

**Setting item: Microphone Level**

**Setting contents: 1 to 11 (Initial setting: 5)**

- The setting cannot be adjusted during a phone call. Adjust the setting before placing a call.

## External Accessory Control Setup

[External Accessory Ctrl] is selected on the Application Setup Menu screen in step 3. See “Application Setup Operation” (page 22).

### Setting the External Accessory Control

When you have connected the optional External Accessory Control module, set this setting to “ON” to turn the headlights ON/OFF or adjust the air suspension from this unit.

**Setting item: External Accessory Ctrl**

**Setting contents: OFF (Initial setting) / ON**

- When set to “ON,” the External Parts icon is displayed on the main screen.
- For details on the External Accessory screen and its operation, see “External Accessory Control Operation” (page 27).



# iDataLink Operation

This unit allows communication with the vehicle's iDataLink module, when available. This data gives status on various vehicle modes as well as the ability to control certain vehicle operations.

When you use iDataLink mode, set each setting to "ON" in "Setting the Source Category" (page 23).

- Available functions differ depending on your vehicle. For details, refer to your vehicle's instruction manual.

## About Audio Interrupt

Audio Interrupt is the function that outputs sound from the unit when Voice Information (audio reading from the phone book, etc.)\* from the vehicle occurs.

- The Audio Interrupt function of the vehicle differs depending on the type and grade of the vehicle.
- \* For your safety, when interrupted with Voice Information, you cannot operate the buttons on the front panel or the touch buttons on the display, except for some operations.
  - The operating restrictions may differ depending on which mode the unit is in during Voice Information.
  - You can use the  $\nabla/\wedge$  (DOWN/UP) button to control the volume of Voice Information.

## Access to iDataLink Mode

You can check the car's status, set the air conditioning, etc.

### 1 Press the Home button.

The Home screen is displayed.

### 2 Touch the desired tag.

Select item: **Climate / Gauges / Parking Sensor / Vehicle Info.**

- The displayed tag options differ depending on the type of vehicle.

#### ■ Climate screen example



### 3 Adjust or confirm the item/information accordingly.

- Operable functions and displays may differ depending on the vehicle.

## iDataLink Function Screen example

#### ■ Climate screen example

You can control the temperature inside the vehicle, etc.



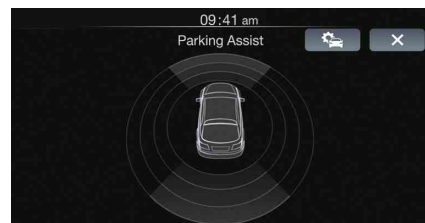
#### ■ Gauges screen example

You can check the vehicle's speed, the engine's rotation speed, etc.



#### ■ Parking sensor screen example

You can check the distance from the front and rear of the vehicle to an obstacle.



- If the car sensor detects an obstacle, the screen automatically changes to the Parking sensor screen. For details, see "About Parking Sensor screen" (page 26).

## ■ Vehicle Information screen example

You can check for open doors, check the tire pressure, the battery life, etc. for the vehicle.

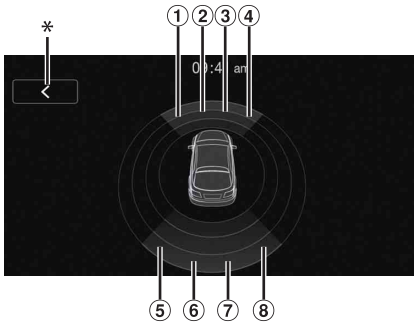


## About Parking Sensor screen

The Parking sensor screen turns on when the front or rear sensor on your vehicle detects an obstacle within a certain distance.

### Parking Sensor Full screen example

When the front or rear sensor detects an obstacle within a certain distance, the Parking Sensor screen is displayed, and the indicator (① - ⑧) that corresponds with that area lights up.



#### **Indicator colors when an obstacle is detected.**

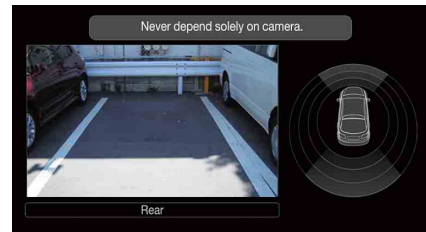
Red: close distance  
 Orange: medium distance  
 Yellow: long distance

- Depending on the speed of the vehicle, when moving faster than a certain speed, the Parking Sensor screen may not be displayed.
- Vehicles that do not have the obstacle detection sensor cannot use this function.

\* [**<**] is displayed only when the Front camera or Rear camera is interlocked.

## Parking Sensor Camera interlock screen example (Rear camera)

You can check for obstacles through an interlocked camera image by connecting a Front or Rear Camera.



- Touch the Camera image area to switch to the Camera full screen. (While displaying the Camera full screen, touch the Camera screen, then touch [Sensor] to return to the Parking Sensor Camera interlock screen.)
- Touch the car icon to switch to the Parking sensor full screen. (Touch [**<**] on the Parking Sensor full screen to return to the Parking Sensor Camera interlock display.)
- To use this function, set the Camera Select setting to "Front/Other" or "Rear." For details, see "Setting the Camera Input" (page 22).

# External Accessory Control Operation

You can set the headlights to ON/OFF or adjust the air suspension from this unit by connecting the optional External Accessory Control module.

- In order to keep external accessory control outputs on during the ignition cycle, please change "Accessory During Crank" to "On". Otherwise all switches will be turned off.  
[Setup] → [Application] → [Factory Audio] → [Maestro Module] → [Maestro Features] → [Maestro Module] → [Accessory During Crank] → "On"

The following explains how to edit the control switches, because the functions that can be controlled differ depending on the type of vehicle.

### You cannot edit the External Accessory screen while driving.

Your vehicle must be parked with the ignition key in the ACC or ON position. For details, see "To display the Application Setup Menu screen:" in "Application Setup" (page 22).

## 1 Touch [Ext Acc Ctrl] in the Home screen to activate External Accessory screen.

The External Accessory screen is displayed.



## 2 Touch [Edit].

The Edit Control Switches screen is displayed.



## 3 Edit each switch.

### When changing an icon:

Touch the icon, and select your desired icon from the Icon Type list. After selecting the icon, set the Output Type (Timing)\* for each function.

\* The Output Type (Timing) sets the operating time for that function when you touch the icon on the External Accessory screen.

Pulse: The operating time when you touch the icon. (Select from 11 steps, ranging 0.5 sec. to 10 sec.)

Latch: Switch On/Off by touching the icon.

Momentary: Operating time lasts from when an icon is touched to when it is released.

### When changing the name:

Touch the icon name, then input characters into Edit Name (Keypad). You can also select a basic name from the [Template] of the Keypad. (When a basic name is selected from the Template, the icon will be changed according to the basic name.)

### When changing the layout of the switches:

Drag and drop an icon to the desired location.

### To revert to a default icon:

Touch the check box "☑" of the icon that you want to revert to default, and then touch [Reset]. If you touch [Reset All], all icons revert to default icons.

## 4 After editing is complete, touch [<] (Back).

## 5 After the caption for the confirmation is displayed, touch [OK].

- If you touch [Cancel] while editing, the edits are reset and the screen returns to the previous Edit screen.

# Information

## Product Software Update

This product uses software that can be updated through a Flash Memory device. Download the software from the Alpine website and update the product using the Flash Memory device.

### Updating this product

Check the Alpine website for details on updating.

<http://www.alpine-usa.com>

### Important information on the software

About the software license of the product

The software installed in the product contains opensource software. See the following Alpine website for details on the open source software.

<http://www.alpine.com/e/oss/download>

## In Case of Difficulty

If you encounter a problem, please turn the power off, then on again. If the unit is still not functioning normally, please review the items in the following checklist. This guide will help you isolate the problem if the unit is at fault. Otherwise, make sure the rest of your system is properly connected, or then consult your authorized Alpine dealer.

### Basic

#### No function or display.

- Vehicle's ignition is off.
  - If connected according to the instructions, the unit will not operate with the vehicle's ignition off.
- Improper power lead connections.
  - Check power lead connections.
- Blown fuse.
  - Check the fuse of the unit; replace with the proper value if necessary.
- Internal micro-computer malfunctioned due to interference noise, etc.
  - Turn the ignition key off, and then set to ON again.

#### No sound or unnatural sound.

- Incorrect setting of volume/balance/fader controls.
  - Readjust the controls.
- Connections are not properly or securely made.
  - Check the connections and firmly connect.

#### Screen not displayed.

- Brightness/Contrast control is set at the minimum position.
  - Adjust the Brightness/Contrast control.
- Temperature in the vehicle is too low.
  - Increase the vehicle's interior temperature to operation temperature range.
- Connections to the Auxiliary Device are not securely made.
  - Check the connections and firmly connect.
- The Parking Brake Lead is not connected.
- The Parking Brake is not engaged.

- Connect the Parking Brake Lead, then engage the Parking Brake.

#### Movement of displayed picture is abnormal.

- Temperature in the vehicle is too high.
  - Allow the vehicle's interior temperature to cool.

#### Screen changed automatically.

- Demonstration function is set to "ON".
  - Set the Demonstration function to "OFF". (Page 22)

### Radio

#### Unable to receive stations.

- No antenna, or open connection in the antenna cable.
  - Make sure the antenna is properly connected; replace the antenna or cable if necessary.

#### Unable to tune stations in the seek mode.

- You are in a weak signal area.
  - Make sure the tuner is in DX mode.
- If the area you are in is a primary signal area, the antenna may not be grounded and connected properly.
  - Check your antenna connections; make sure the antenna is properly grounded at its mounting location.
- The antenna may not be the proper length.
  - Make sure the antenna is fully extended; if broken, replace the antenna with a new one.

#### Broadcast is noisy.

- The antenna is not the proper length.
  - Extend the antenna fully; replace it if it is broken.
- The antenna is poorly grounded.
  - Make sure the antenna is grounded properly at its mounting location.
- The station signal is weak and noisy.
  - If above solution does not work, tune in another station.

## If this Message Appears

Various messages are displayed on the screen during operation. In addition to the messages telling you the current status or providing guidance for the next operation, there are also the following error messages. If one of these error messages is displayed, carefully follow the instructions in the solution column.

### System

#### Unable to operate while driving.

- A setup operation, etc., was carried out while the vehicle was running.
  - Move the vehicle to a safe location, stop, and engage the parking brake, then carry out this operation.

#### USB current error.

- Abnormal current is run to the USB connector device.
  - Turn the ignition key off, and then set to ON again.
  - Attempt to connect another iPhone/Flash Memory device.

#### Device no response.

- There is no response for the connected Flash Memory device.
  - Attempt to connect another Flash Memory device.

## Audio/Visual

### **Connected USB Device is not supported.**

- An iPhone that is not supported by the unit is connected.
  - Connect an iPhone that is supported by the unit.
  - Reset the iPhone.
- A USB device that is not supported by the unit is connected.
  - Attempt to connect another Flash Memory device.
- Communication error.
  - Turn the ignition key off, and then set to ON again.
  - Check the display by reconnecting between the iPhone and the unit, using the Lightning to USB Cable.
  - Check the display by reconnecting between the Flash Memory device and the unit.
- Caused by the iPhone Software Version not being compatible with this unit.
  - Update the iPhone Software Version to be compatible with this unit.
- The iPhone is not verified.
  - Change another iPhone.

---

## iDataLink

### **CAN Communication error**

- Communication error.
    - Check the iDataLink module connection.
- 

---

## **Specifications**

---

### MONITOR SECTION

Screen Size	7.0"
LCD Type	Transparent type TN LCD
Operation System	TFT active matrix
Number of Picture Elements	1,152,000 pcs. (800 × 480 × 3 (RGB))
Effective Number of Picture Elements	99% or more
Illumination System	LED

### FM TUNER SECTION

Tuning Range	87.7 – 107.9 MHz
Mono Usable Sensitivity	9.3 dBf (0.8 $\mu$ V/75 ohms)
50 dB Quieting Sensitivity	13.5 dBf (1.3 $\mu$ V/75 ohms)
Alternate Channel Selectivity	80 dB
Signal-to-Noise Ratio	60 dB
Stereo Separation	35 dB
Capture Ratio	2.0 dB

### AM TUNER SECTION

Tuning Range	530 – 1,710 kHz
Sensitivity (IEC Standard)	22.5 $\mu$ V/27.0 dBf

### USB SECTION

USB requirements	USB 1.1/2.0
------------------	-------------

### GENERAL

Power Requirement	14.4 V DC (11–16 V allowable)
Operating temperature	-4°F to +140°F (-20°C to + 60°C)
Power Output	18 W RMS × 4 <ul style="list-style-type: none"><li>• Power output: measured at 4 Ohms and <math>\leq</math> 1% THD+N</li><li>• S/N: 80 dBA (reference: 1 W into 4 Ohms)</li></ul>
Weight	1.23 kg (2 lbs 11 oz)
Audio output level	
Preout (Front, Rear):	2V/10k ohms (max.)
Preout (Subwoofer):	2V/10k ohms (max.)

### CHASSIS SIZE

Width	178 mm (7")
Height	100 mm (3-7/8")
Depth	155 mm (6-1/8")

- *Due to continuous product improvement, specifications and design are subject to change without notice.*
- *The LCD panel is manufactured using an extremely high precision manufacturing technology. Its effective pixel ratio is over 99.99%. This means that there is a possibility that 0.01% of the pixels could be either always ON or OFF.*

---

---

# Installation and Connections

Before installing or connecting the unit, please read the following and pages 5 to 6 of this manual thoroughly for proper use.

## Warning

---

### MAKE THE CORRECT CONNECTIONS.

Failure to make the proper connections may result in fire or product damage.

---

### USE ONLY IN CARS WITH A 12 VOLT NEGATIVE GROUND.

(Check with your dealer if you are not sure.) Failure to do so may result in fire, etc.

---

### BEFORE WIRING, DISCONNECT THE CABLE FROM THE NEGATIVE BATTERY TERMINAL.

Failure to do so may result in electric shock or injury due to electrical shorts.

---

### DO NOT ALLOW CABLES TO BECOME ENTANGLED IN SURROUNDING OBJECTS.

Arrange wiring and cables in compliance with the manual to prevent obstructions when driving. Cables or wiring that obstruct or hang up on places such as the steering wheel, gear lever, brake pedals, etc. can be extremely hazardous.

---

### DO NOT SPLICE INTO ELECTRICAL CABLES.

Never cut away cable insulation to supply power to other equipment. Doing so will exceed the current carrying capacity of the wire and result in fire or electric shock.

---

### DO NOT DAMAGE PIPE OR WIRING WHEN DRILLING HOLES.

When drilling holes in the chassis for installation, take precautions so as not to contact, damage or obstruct pipes, fuel lines, tanks or electrical wiring. Failure to take such precautions may result in fire.

---

### DO NOT USE BOLTS OR NUTS IN THE BRAKE OR STEERING SYSTEMS TO MAKE GROUND CONNECTIONS.

Bolts or nuts used for the brake or steering systems (or any other safety-related system), or tanks should NEVER be used for installations or ground connections. Using such parts could disable control of the vehicle and cause fire etc.

---

### KEEP SMALL OBJECTS SUCH AS SCREWS OUT OF THE REACH OF CHILDREN.

Swallowing them may result in serious injury. If swallowed, consult a physician immediately.

---

### DO NOT INSTALL IN LOCATIONS WHICH MIGHT HINDER VEHICLE OPERATION, SUCH AS THE STEERING WHEEL OR GEARSHIFT.

Doing so may obstruct forward vision or hamper movement etc. and results in serious accident.

## Caution

---

### HAVE THE WIRING AND INSTALLATION DONE BY EXPERTS.

The wiring and installation of this unit requires special technical skill and experience. To ensure safety, always contact the dealer where you purchased this product to have the work done.

---

### USE SPECIFIED ACCESSORY PARTS AND INSTALL THEM SECURELY.

Be sure to use only the specified accessory parts. Use of other than designated parts may damage this unit internally or may not securely install the unit in place. This may cause parts to become loose resulting in hazards or product failure.

---

### ARRANGE THE WIRING SO IT IS NOT CRIMPED OR PINCHED BY A SHARP METAL EDGE.

Route the cables and wiring away from moving parts (like the seat rails) or sharp or pointed edges. This will prevent crimping and damage to the wiring. If wiring passes through a hole in metal, use a rubber grommet to prevent the wire's insulation from being cut by the metal edge of the hole.

---

### DO NOT INSTALL IN LOCATIONS WITH HIGH MOISTURE OR DUST.

Avoid installing the unit in locations with high incidence of moisture or dust. Moisture or dust that penetrates into this unit may result in product failure.

---

## Precautions

- Be sure to disconnect the cable from the (–) battery post before installing your iLX-107. This will reduce any chance of damage to the unit in case of a short-circuit.
- Be sure to connect the color coded leads according to the diagram. Incorrect connections may cause the unit to malfunction or damage to the vehicle's electrical system.
- When making connections to the vehicle's electrical system, be aware of the factory installed components (e.g. on-board computer). Do not tap into these leads to provide power for this unit. When connecting the iLX-107 to the fuse box, make sure the fuse for the intended circuit of the iLX-107 has the appropriate amperage. Failure to do so may result in damage to the unit and/or the vehicle. When in doubt, consult your Alpine dealer.
- The iLX-107 uses female RCA-type jacks for connection to other units (e.g. amplifier) having RCA connectors. You may need an adaptor to connect other units. If so, please contact your authorized Alpine dealer for assistance.
- Be sure to connect the speaker (–) leads to the speaker (–) terminal. Never connect left and right channel speaker cables to each other or to the vehicle body.
- The Display must be completely retracted in the casing when installing. If it is not, problems may occur.
- When installing in automobiles, make sure the Display can open/close without coming in contact with the gear shift.

---

### IMPORTANT

Please record the serial number of your unit in the space provided on the right and keep it as a permanent record. The serial number plate is located on the bottom of the unit.

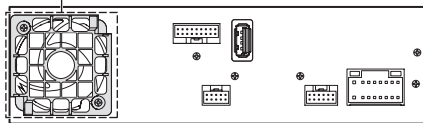
SERIAL NUMBER: \_\_\_\_\_  
INSTALLATION DATE: \_\_\_\_\_  
INSTALLATION TECHNICIAN: \_\_\_\_\_  
PLACE OF PURCHASE: \_\_\_\_\_

## Installation

### Note on installation

- Do not block the unit's fan, which would prevent air circulation. If blocked, heat will accumulate inside the unit and may cause a fire.

Air Ventilation hole Rear of the Unit



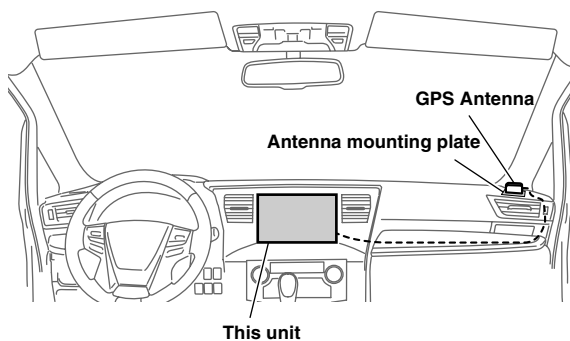
### Uninstalling the original car stereo

- 1 Uninstall the car stereo with its mounting bracket.
- 2 Remove the cables and the mounting bracket attached to the car stereo.  
(The mounting bracket will be used in "Installing the unit".)

### Mounting the GPS Antenna inside the vehicle

Please mount the GPS Antenna properly as follow procedures to make sure the unit's perfect performance.

- 1 Clean the mounting location.
- 2 Put on the GPS Antenna mounting plate.
- 3 Mount the GPS Antenna.



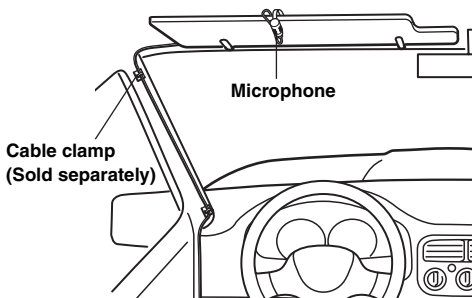
- Do not mount the GPS Antenna inside the center console.
  - Mount the GPS Antenna on a flat plane of the dash board or rear tray.
  - Make sure the GPS Antenna is not covered (obstructed) by any metallic surface or object.
- If the GPS Antenna is mounted near the unit, the reception becomes poor, and the location of your vehicle may not be displayed correctly.
  - Mount the GPS Antenna as far away from the unit as possible.
  - Bundle the GPS Antenna cable away from the rear of the unit.
- Some types of thermal glass may block the GPS radio frequencies. If reception is poor with the antenna installed inside the car, try to mount the antenna outside the car.

### Mounting the Microphone.

For safe use, make sure of the following:

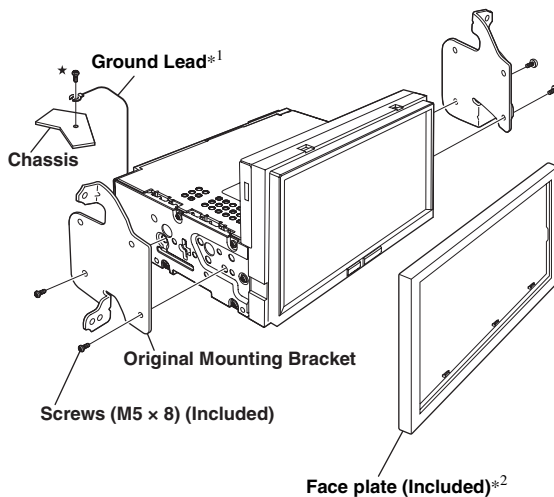
- Location is stable and firm.
- Driver's view and operations are not obstructed.
- Microphone is located where the driver's voice can be easily picked up (for example, on the sun visor).

When you speak into the microphone, you should not have to change your driving posture. This may cause a distraction, taking your attention away from safely driving your vehicle. Carefully consider direction and distance while mounting the microphone. Confirm that the driver's voice can be easily picked up at the selected location.



### Installing the Unit

- 1 Remove the Face Plate from the unit.
- 2 Mount the original mounting bracket to the unit using the supplied screws.



- 3 Connect all other leads of the unit according to details described in the "Connections" section (page 34).
- 4 Mounting the unit in a car.

\*1 To securely connect the ground lead, use an already installed screw on a metal part of the vehicle (marked (★)) or a clean, bare metal spot on the vehicle's chassis.

\*2 Use the removed Face Plate if needed.

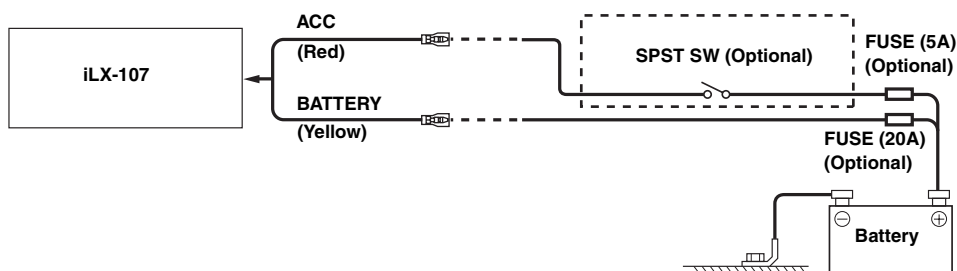
## **Fix the Cables etc.**

Fix the cables carefully. Do not damage them by tucking them into movable parts, such as a seat rail, or by locating them against sharp or pointed edges.



### Connection Diagram of SPST Switch (sold separately)

(If the ACC power supply is not available)

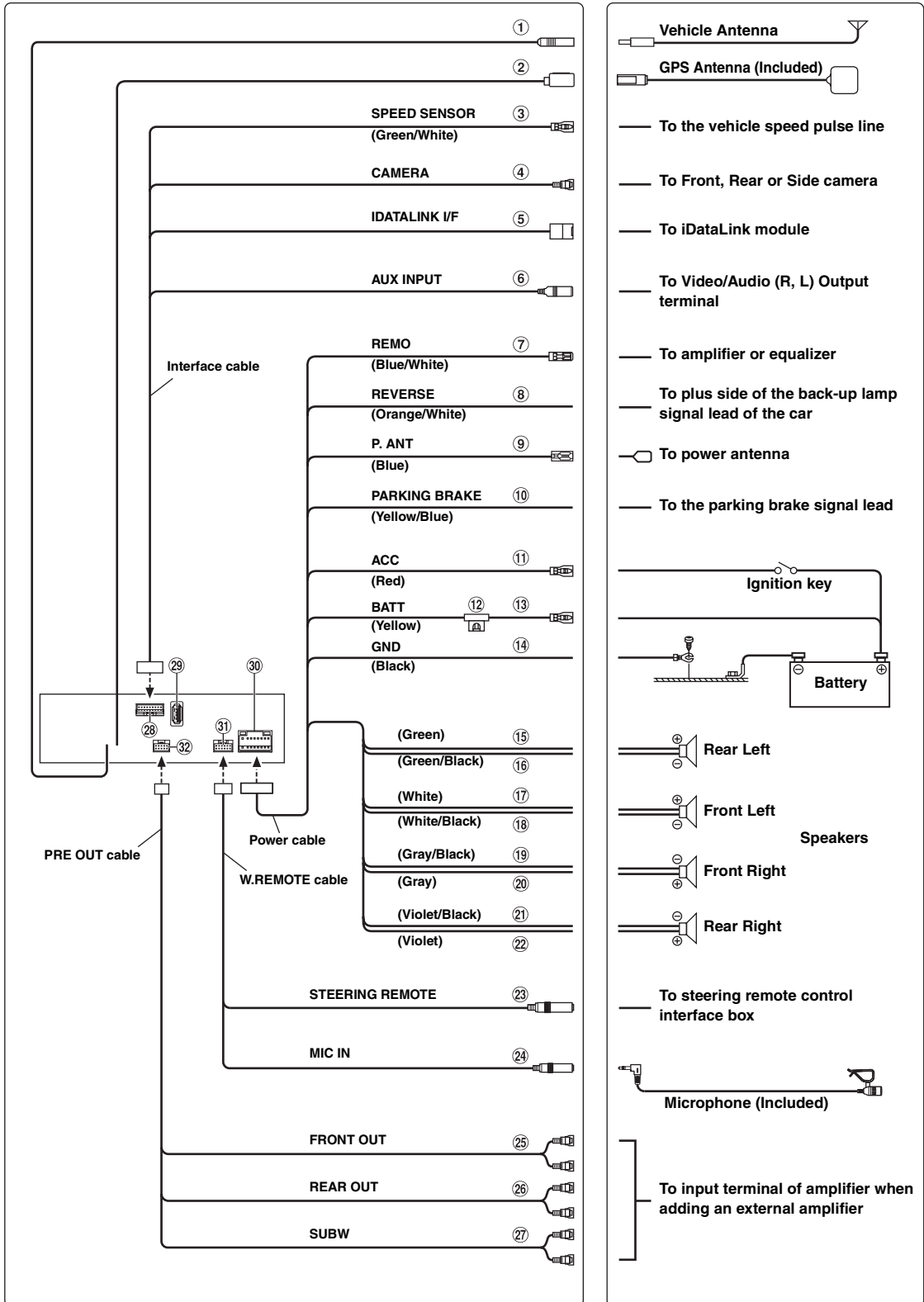


- If your vehicle has no ACC power supply, add a SPST (Single-Pole, Single-Throw) switch (sold separately) and fuse (sold separately).
- The diagram and the fuse amperage shown above are in the case when iLX-107 is used individually.
- If the switched power (ignition) lead of the iLX-107 is connected directly to the positive (+) post of the vehicle's battery, the iLX-107 draws some current (several hundred milliamperes) even when its switch is placed in the OFF position, and the battery may be discharged.

#### **To prevent external noise from entering the audio system.**

- Locate the unit and route the leads at least 10 cm away from the car harness.
- Keep the battery power leads as far away from other leads as possible.
- Connect the ground lead securely to a bare metal spot (remove any paint, dirt or grease if necessary) of the car chassis.
- If you add an optional noise suppressor, connect it as far away from the unit as possible. Your Alpine dealer carries various noise suppressors, contact them for further information.
- Your Alpine dealer knows best about noise prevention measures so consult your dealer for further information.

# Connections



① **Radio Antenna Receptacle**

② **GPS Antenna Receptacle**

Connect to GPS antenna (Included).

③ **Speed Sensor Lead (Green/White)**

Improper connection of the speed pulse line may cause important safety features of the vehicle to fail (such as the brakes or air bags). Such failures may result in an accident and loss of life. We strongly recommend that the installation be performed by a trained, authorized Alpine dealer.

④ **CAMERA Input Connector**

⑤ **iDataLink Interface Connector**

To iDataLink module.

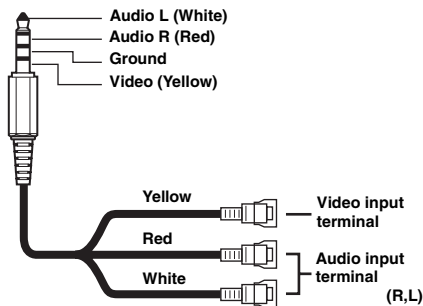
⑥ **Video/Audio (R,L) Input Connector (AUX INPUT)**

Input the AUX Video/Audio (R,L).

• *When you use this connector, an optional AV/RCA interface cable should be used.*

■ **Usable AV/RCA interface cable (4-pole mini AV plug to 3-RCA)**

Wiring convention of this system is as follows:



• *Configuration commercially available 4-pole mini AV plugs is not standardized.*

⑦ **Remote Turn-On Lead (Blue/White)**

Connect this lead to the remote turn-on lead of your amplifier or signal processor.

⑧ **Reverse Lead (Orange/White)**

Connect to the plus side of the car's reverse lights. These lights illuminate when the transmission is shifted into reverse (R).

With this lead properly wired, the video picture automatically switches to the rear camera whenever the car is put into reverse (R).

⑨ **Power Antenna Lead (Blue)**

Connect this lead to the +B terminal of your power antenna, if applicable.

• *This lead should be used only for controlling the vehicle's power antenna. Do not use this lead to turn on an amplifier or a signal processor, etc.*

⑩ **Parking Brake Lead (Yellow/Blue)**

Connect this lead to the power supply side of parking brake switch to transmit the parking brake status signals to the unit.

⑪ **Switched Power Lead (Ignition) (Red)**

Connect this lead to an open terminal on the vehicle's fuse box or another unused power source that provides (+) 12V only when the ignition is turned on or in the accessory position.

⑫ **Fuse Holder (15A)**

⑬ **Battery Lead (Yellow)**

Connect this lead to the positive (+) post of the vehicle's battery.

⑭ **Ground Lead (Black)**

Connect this lead to a good chassis ground on the vehicle. Make sure the connection is made to bare metal and is securely fastened using the sheet metal screw provided.

⑮ **Left Rear (+) Speaker Output Lead (Green)**

⑯ **Left Rear (-) Speaker Output Lead (Green/Black)**

⑰ **Left Front (+) Speaker Output Lead (White)**

⑱ **Left Front (-) Speaker Output Lead (White/Black)**

⑲ **Right Front (-) Speaker Output Lead (Gray/Black)**

⑳ **Right Front (+) Speaker Output Lead (Gray)**

㉑ **Right Rear (-) Speaker Output Lead (Violet/Black)**

㉒ **Right Rear (+) Speaker Output Lead (Violet)**

㉓ **Steering Remote Control Interface Connector**

To steering remote control interface box.

For details about connections, consult your nearest Alpine dealer.

㉔ **MIC Input Connector**

To microphone (Included)

㉕ **Front Output RCA Connectors**

Can be used as Front Output RCA Connectors. RED is right and WHITE is left.

㉖ **Rear Output RCA Connectors**

Can be used as Rear Output RCA Connectors. RED is right and WHITE is left.

㉗ **Subwoofer RCA Connectors**

RED is right and WHITE is left.

㉘ **CAN I/F Connector**

㉙ **USB Connector**

To iPhone 5 or later.

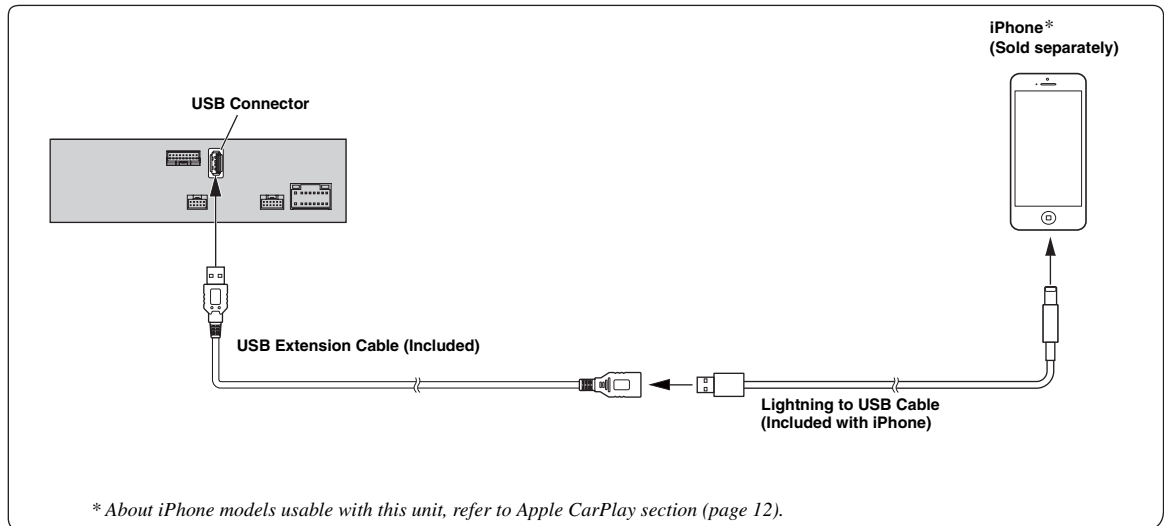
㉚ **Power Supply Connector**

㉛ **W.REMOTE Connector**

㉜ **PRE OUT Connector**

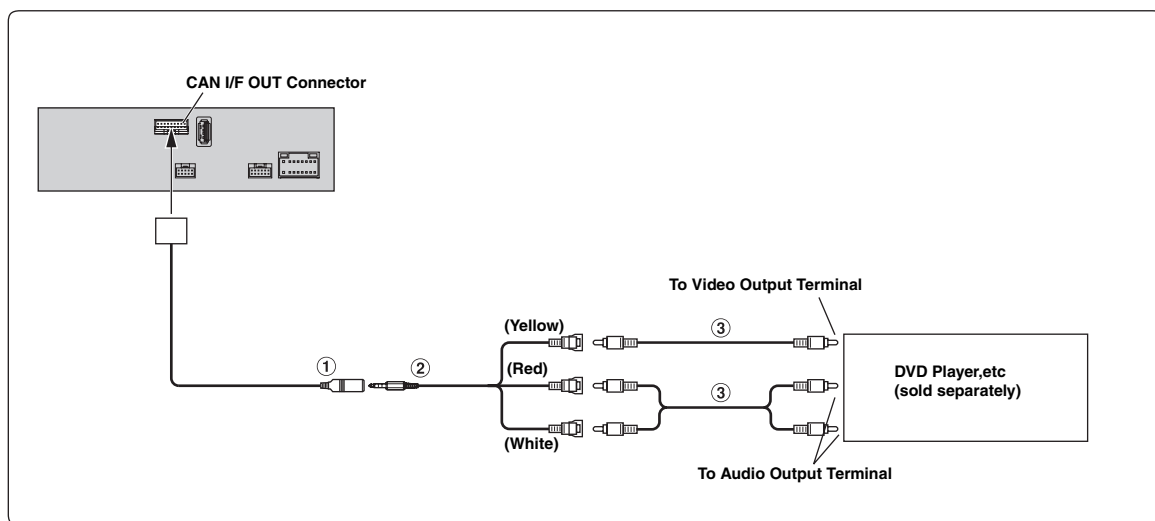
## System Example

### Connection of an iPhone\*



- Do not leave an iPhone in a vehicle for a long time. Heat and humidity may damage the iPhone and you may not be able to play it again.

## Connection of an External device



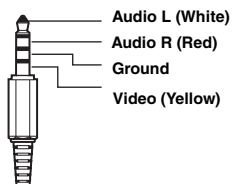
### ① Video/Audio Input Connector (AUX INPUT)

- When you use this connector, an optional AV/RCA interface cable should be used. For details, refer to ②.

### ② AV/RCA interface cable (4-pole mini AV plug to 3-RCA) (Sold Separately)

#### ■ Usable 4-pole mini AV plug

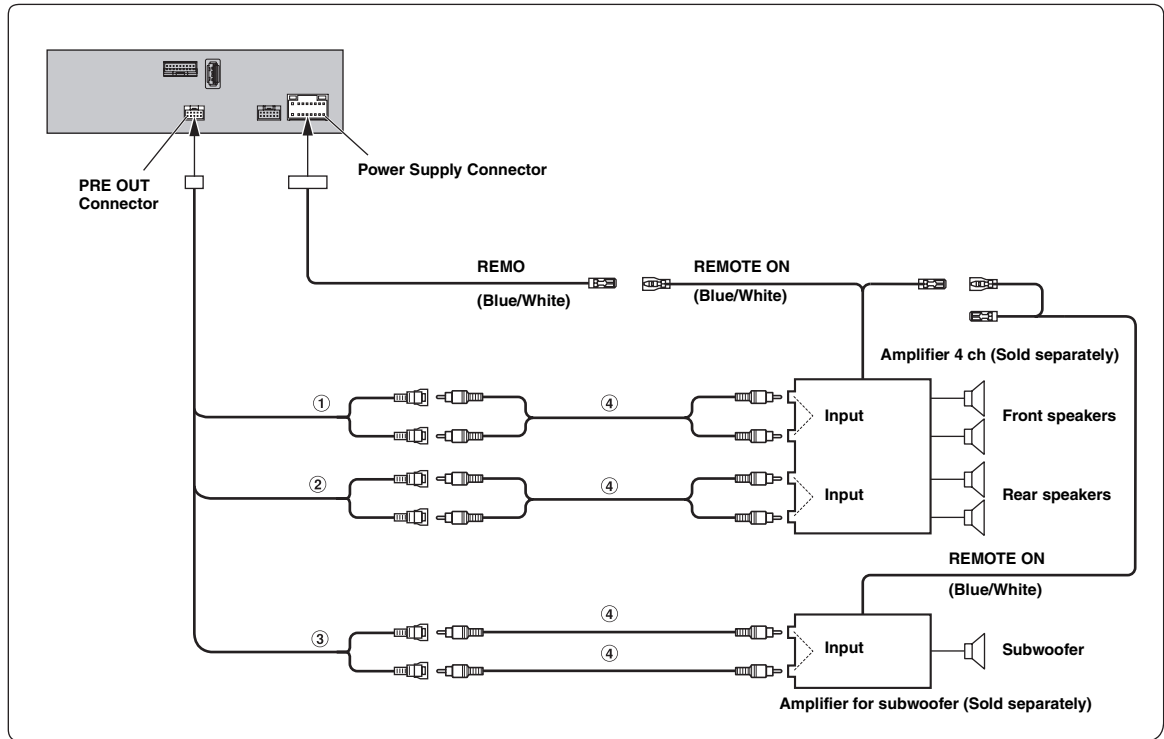
Wiring convention of this system is as follows:



- Configuration commercially available 4-pole mini AV plugs is not standardized.

### ③ RCA Extension Cable (Sold Separately)

## Connection of an External Amplifier



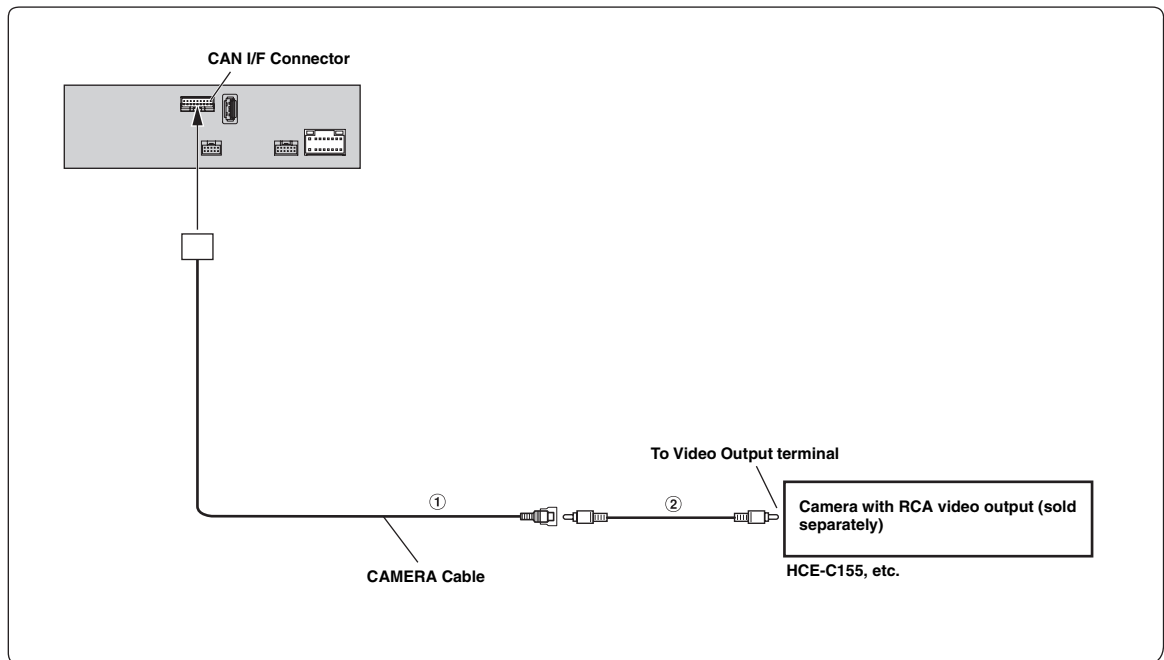
① **Front Output RCA Connectors**  
RED is right and WHITE is left.

② **Rear Output RCA Connectors**  
RED is right and WHITE is left.

③ **Subwoofer RCA Connectors**

④ **RCA Extension Cable (Sold separately)**

## Connection of camera



### ① CAMERA Input Connector

### ② RCA Extension Cable (sold separately)

- When a rear camera is used, make sure *REVERSE* cable is connected correctly.



## LIMITED WARRANTY

ALPINE ELECTRONICS OF AMERICA, INC. ("Alpine"), is dedicated to quality craftsmanship and is pleased to offer this Warranty. We suggest that you read it thoroughly. Should you have any questions, please contact your Dealer or contact Alpine at one of the telephone numbers listed below.

### ● PRODUCTS COVERED:

This Warranty covers Car Audio Products and Related Accessories ("the product"). Products purchased in the Canada are covered only in the Canada. Products purchased in the U.S.A. are covered only in the U.S.A.

### ● LENGTH OF WARRANTY:

This Warranty is in effect for one year from the date of the first consumer purchase.

### ● WHO IS COVERED:

This Warranty only covers the original purchaser of the product, who must reside in the United States, Puerto Rico or Canada.

### ● WHAT IS COVERED:

This Warranty covers defects in materials or workmanship (parts and labor) in the product.

### ● WHAT IS NOT COVERED:

This Warranty does not cover the following:

- ① Damage occurring during shipment of the product to Alpine for repair (claims must be presented to the carrier).
- ② Damage caused by accident or abuse, including burned voice coils caused by over-driving the speaker (amplifier level is turned up and driven into distortion or clipping). Speaker mechanical failure (e.g. punctures, tears or rips). Cracked or damaged LCD panels. Dropped or damaged hard drives.
- ③ Damage caused by negligence, misuse, improper operation or failure to follow instructions contained in the Owner's manual.
- ④ Damage caused by act of God, including without limitation, earthquake, fire, flood, storms or other acts of nature. Any cost or expense related to the removal or reinstallation of the product.
- ⑤ Service performed by an unauthorized person, company or association.
- ⑥ Any product which has the serial number defaced, altered or removed.
- ⑦ Any product which has been adjusted, altered or modified without Alpine's consent.
- ⑧ Any product not distributed by Alpine within the United States, Puerto Rico or Canada.
- ⑨ Any product not purchased from an Authorized Alpine Dealer.

### ● HOW TO OBTAIN WARRANTY SERVICE:

- ① You are responsible for delivery of the product to an Authorized Alpine Service Center or Alpine for repair and for payment of any initial shipping charges. Alpine will, at its option, repair or replace the product with a new or reconditioned product without charge. If the repairs are covered by the warranty, and if the product was shipped to an Authorized Alpine Service Center or Alpine, Alpine will pay the return shipping charges.
- ② You should provide a detailed description of the problem(s) for which service is required.

③ You must supply proof of your purchase of the product.

④ You must package the product securely to avoid damage during shipment. To prevent lost packages it is recommended to use a carrier that provides a tracking service.

### ● HOW WE LIMIT IMPLIED WARRANTIES:

ANY IMPLIED WARRANTIES INCLUDING FITNESS FOR USE AND MERCHANTABILITY ARE LIMITED IN DURATION TO THE PERIOD OF THE EXPRESS WARRANTY SET FORTH ABOVE AND NO PERSON IS AUTHORIZED TO ASSUME FOR ALPINE ANY OTHER LIABILITY IN CONNECTION WITH THE SALE OF THE PRODUCT.

### ● HOW WE EXCLUDE CERTAIN DAMAGES:

ALPINE EXPRESSLY DISCLAIMS LIABILITY FOR INCIDENTAL AND CONSEQUENTIAL DAMAGES CAUSED BY THE PRODUCT. THE TERM "INCIDENTAL DAMAGES" REFERS TO EXPENSES OF TRANSPORTING THE PRODUCT TO THE ALPINE SERVICE CENTER, LOSS OF THE ORIGINAL PURCHASER'S TIME, LOSS OF THE USE OF THE PRODUCT, BUS FARES, CAR RENTALS OR OTHERS COSTS RELATING TO THE CARE AND CUSTODY OF THE PRODUCT. THE TERM "CONSEQUENTIAL DAMAGES" REFERS TO THE COST OF REPAIRING OR REPLACING OTHER PROPERTY WHICH IS DAMAGED WHEN THIS PRODUCT DOES NOT WORK PROPERLY. THE REMEDIES PROVIDED UNDER THIS WARRANTY ARE EXCLUSIVE AND IN LIEU OF ALL OTHERS.

### ● HOW STATE/PROVINCIAL LAW RELATES TO THE WARRANTY:

This Warranty gives you specific legal rights, and you may also have other rights which vary from state to state and province to province. In addition, some states/provinces do not allow limitations on how long an implied warranty lasts, and some do not allow the exclusion or limitation of incidental or consequential damages. Accordingly, limitations as to these matters contained herein may not apply to you.

### ● IN CANADA ONLY:

This Warranty is not valid unless your Alpine car audio product has been installed in your vehicle by an Authorized Installation Center, and this warranty stamped upon installation by the installation center.

### ● HOW TO CONTACT CUSTOMER SERVICE:

Should the product require service, please call the following number for your nearest Authorized Alpine Service Center.

<b>CAR AUDIO</b>	<b>1-800-ALPINE-1 (1-800-257-4631)</b>
<b>NAVIGATION</b>	<b>1-888-NAV-HELP (1-888-628-4357)</b>

Or visit our website at; <http://www.alpine-usa.com>

**ALPINE ELECTRONICS OF AMERICA, INC.**, 19145 Gramercy Place, Torrance, California 90501, U.S.A.

Do not send products to this address.

Call the toll free telephone number or visit the website to locate a service center.



## About the Rules of Bluetooth Electromagnetic Radiation Regulation

<b>USA/Canada</b>	<b>FCC/IC CAUTION</b> This device complies with Industry Canada's licence-exempt RSSs. Operation is subject to the following two conditions: (1) This device may not cause interference; and (2) This device must accept any interference, including interference that may cause undesired operation of the device. Changes or modifications not expressly approved by the party responsible for compliance could void the user's authority to operate the equipment. This equipment complies with FCC/IC radiation exposure limits set forth for an uncontrolled environment and meets the FCC radio frequency (RF) Exposure Guidelines and RSS-102 of the IC radio frequency (RF) Exposure rules. This equipment has very low levels of RF energy that it deemed to comply without maximum permissive exposure evaluation (MPE). But it is desirable that it should be installed and operated keeping the radiator at least 20 cm or more away from person's body. This transmitter must not be co-located or operated in conjunction with any other antenna or transmitter.
	Le présent appareil est conforme aux CNR d'Industrie Canada applicables aux appareils radio exempts de licence. L'exploitation est autorisée aux deux conditions suivantes : 1) l'appareil ne doit pas produire de brouillage; 2) l'utilisateur de l'appareil doit accepter tout brouillage radioélectrique subi, même si le brouillage est susceptible d'en compromettre le fonctionnement. Cet équipement est conforme aux limites d'exposition aux rayonnements énoncées pour un environnement non contrôlé et respecte les règles les radioélectriques (RF) de la FCC lignes directrices d'exposition et d'exposition aux fréquences radioélectriques (RF) CNR-102 de l'IC. Cet équipement émet une énergie RF très faible qui est considérée conforme sans évaluation de l'exposition maximale autorisée (MPE). Cependant, il est souhaitable qu'il devrait être installé et utilisé en gardant une distance de 20 cm ou plus entre le radiateur et le corps humain.

Don't forget to take a moment to protect your purchase by registering your product now at the following address: [www.alpine-usa.com/registration](http://www.alpine-usa.com/registration).

N'oubliez pas de consacrer un moment à la protection de votre achat en enregistrant votre produit dès maintenant à l'adresse suivante : [www.alpine-usa.com/registration](http://www.alpine-usa.com/registration).

Recuerde que con solo unos pocos pasos podrá proteger su producto, registrándolo a través de la siguiente dirección: [www.alpine-usa.com/registration](http://www.alpine-usa.com/registration).