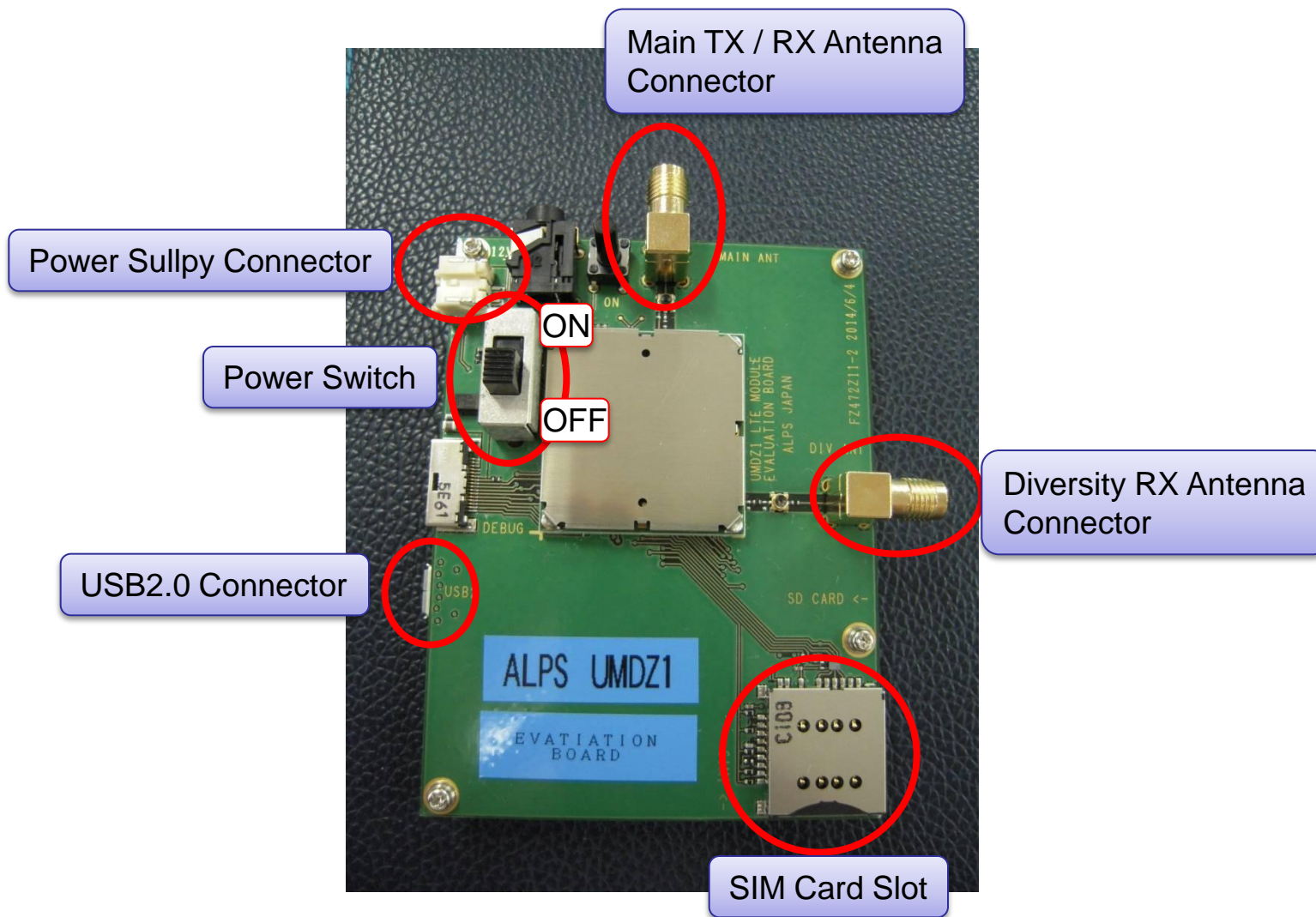


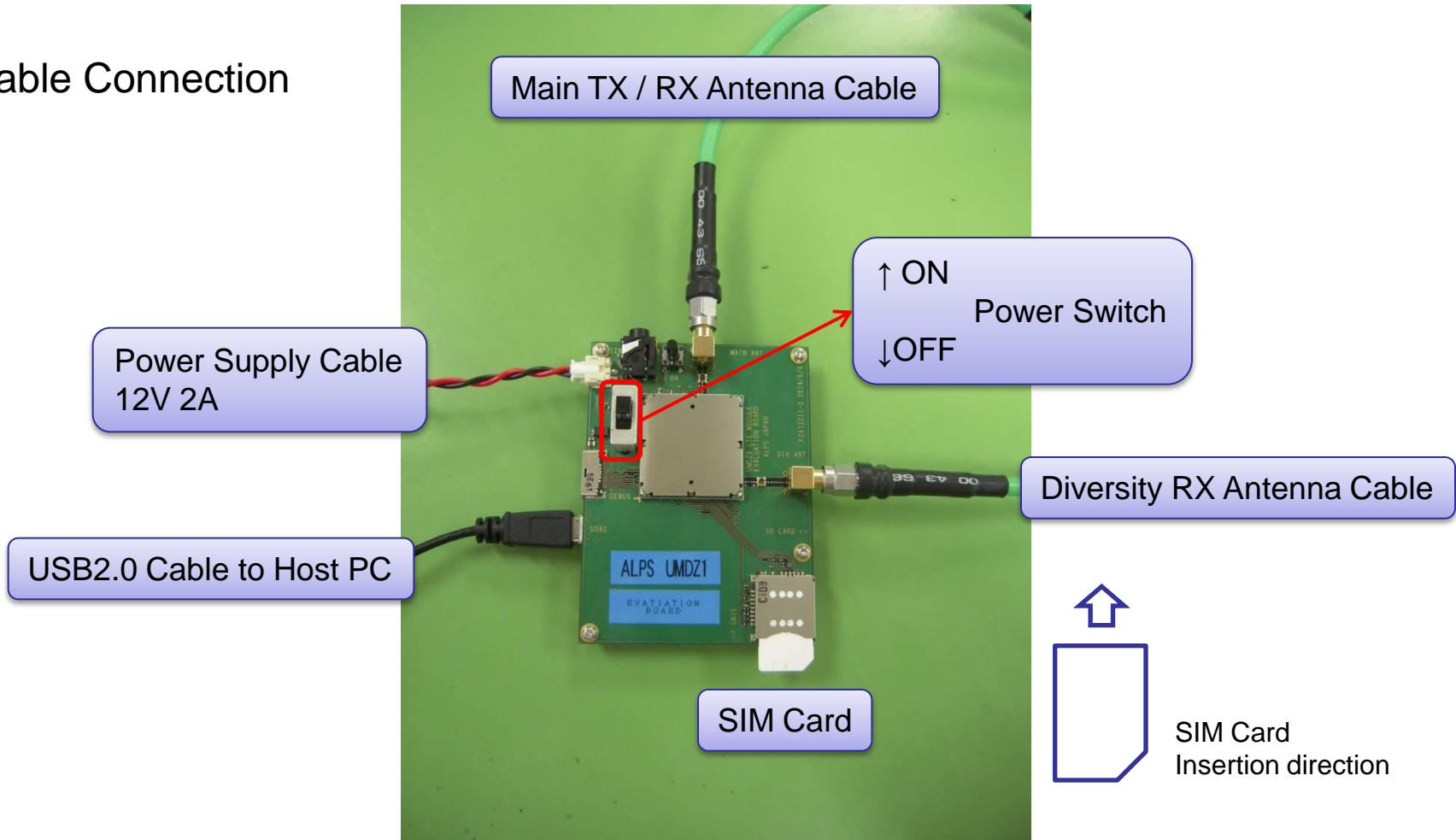
# UMDZ1 Evaluation Board



Other connectors and switches are for debug use.  
記載以外のコネクタ・スイッチはデバッグ用です。

# UMDZ1 Evaluation Board

## Cable Connection



Turn ON the Power Switch. Then the UMDZ1 module will start booting automatically. After about ten seconds, the UMDZ1 module will be ready to connect to the cellular network.  
電源スイッチをONにするとモジュールは自動的に起動を開始します。およそ10秒後にセルラーネットワークへの接続待機状態となります。

# Information / Warning (1)

## Manual Information to the End User

The OEM integrator has to be aware not to provide information to the end user regarding how to install or remove this RF module in the user's manual of the end product which integrates this module. The end user manual shall include all required regulatory information/warning as show in this manual.

## Federal Communication Commission Interference Statement

This device complies with Part 15 of the FCC Rules. Operation is subject to the following two conditions: (1) This device may not cause harmful interference, and (2) this device must accept any interference received, including interference that may cause undesired operation.

This equipment has been tested and found to comply with the limits for a Class B digital device, pursuant to Part 15 of the FCC Rules. These limits are designed to provide reasonable protection against harmful interference in a residential installation. This equipment generates, uses and can radiate radio frequency energy and, if not installed and used in accordance with the instructions, may cause harmful interference to radio communications. However, there is no guarantee that interference will not occur in a particular installation. If this equipment does cause harmful interference to radio or television reception, which can be determined by turning the equipment off and on, the user is encouraged to try to correct the interference by one of the following measures:

- Reorient or relocate the receiving antenna.
- Increase the separation between the equipment and receiver.
- Connect the equipment into an outlet on a circuit different from that to which the receiver is connected.
- Consult the dealer or an experienced radio/TV technician for help.

Any changes or modifications not expressly approved by the party responsible for compliance could void the user's authority to operate this equipment. This transmitter must not be co-located or operating in conjunction with any other antenna or transmitter.

## Radiation Exposure Statement

This equipment complies with FCC radiation exposure limits set forth for an uncontrolled environment. This equipment should be installed and operated with minimum distance 20 cm between the radiator & your body.

# Information / Warning (2)

## End Product Labeling

When the module is installed in the host device, the FCC ID label must be visible through a window on the final device or it must be visible when an access panel, door or cover is easily re-moved. If not, a second label must be placed on the outside of the final device that contains the following text: "Contains FCC ID: 2ADOH-ALPSUMDZ1EVB1"

The grantee's FCC ID can be used only when all FCC compliance requirements are met.

## This device is intended only for OEM integrators under the following conditions:

- (1) The antenna must be installed such that 20 cm is maintained between the antenna and users,
- (2) The transmitter module may not be co-located with any other transmitter or antenna.
- (3) To comply with FCC regulations limiting both maximum RF output power and human exposure to RF radiation, the maximum antenna gain including cable loss in a mobile exposure condition must not exceed:

## Standalone Condition:

- 7.5 dBi in Cellular band
- 3.0 dBi in PCS band
- 6.0 dBi in AWS band
- 10.5 dBi in 700 MHz Band

## Assuming collocated with an ordinary WLAN/WiMax/Bluetooth transmitter with 5 dBi antenna gain

- 6.0 dBi in Cellular band
- 3.0 dBi in PCS band
- 6.0 dBi in AWS band
- 7.5 dBi in 700 MHz Band

In the event that these conditions cannot be met (for example certain laptop configurations or co-location with another transmitter), then the FCC authorization is no longer considered valid and the FCC ID cannot be used on the final product. In these circumstances, the OEM integrator will be responsible for re-evaluating the end product (including the transmitter) and obtaining a separate FCC authorization.