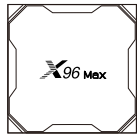


# User Manual

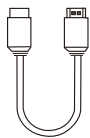
# Smart TV BOX

Package Contents

MODEL: X96MAX



Device x1



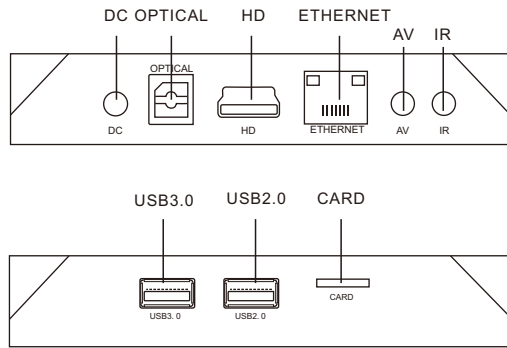
HD Cable x1



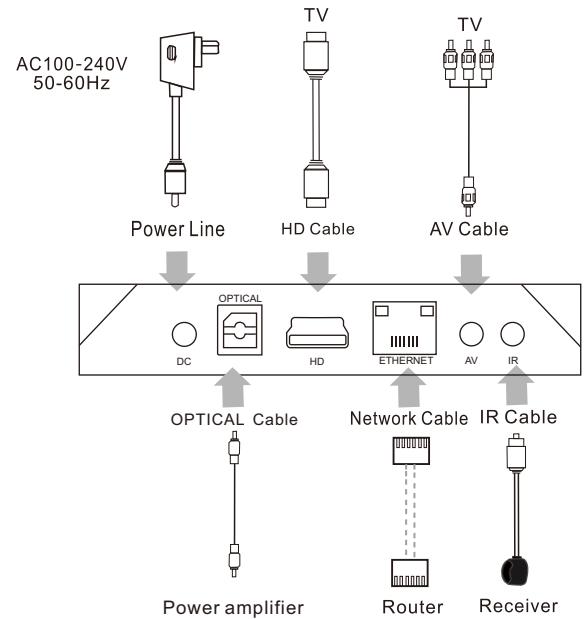
Remote Control x1



Power Adaptor x1



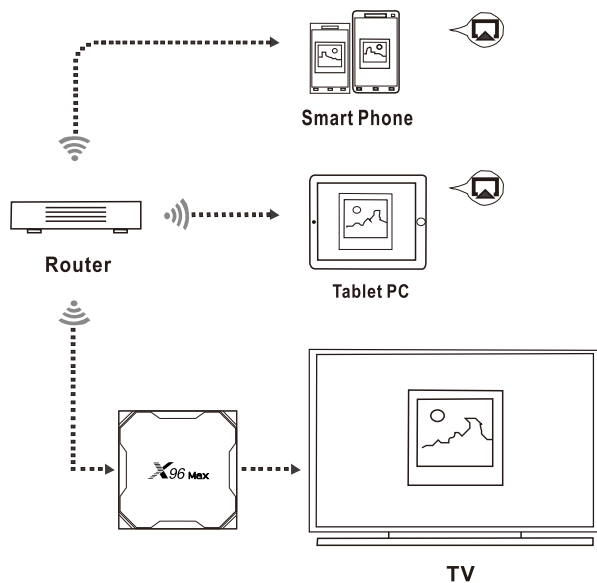
## Connection Diagram



## Installation Steps

- 01** Connect the TV Box with the power supply.
- 02** Connect the TV Box to your TV with an HD cable or AV cable.
- 03** For a wired connection, plug in Ethernet cable from the TV Box to your modem or router. For wireless, choose your Wi-Fi network and input your Wi-Fi password

## Multi-screen Interaction



## The Screen Casting

Introduction:

The TV Box lets you play photos, music, and videos from your smart phone or tablet computer on your TV.

Preparation:

Make sure your device(s) and TV Box are connected to the same network

How to use:

After your device(s) and TV Box are connected to the same network, the logo will show up in the related applications of your device(s). Click the and share the photos, music and videos on TV.

## Key Features



Amlogic S905X2 Quad Core ARM Cortex-A53 GPU @ up to 2.0GHz with Penta CORE Mali-Dvalin MP2 GPU.



4k video decoding 10-bit HEVC and AVS+codec support, H.264 up to 4k 60Hz.



10/100/1000M Ethernet, 802.11b/g/n ac/2.4G/5.8G WiFi. BT4.X



Android 8.1.0 OS, OTA upgrade support.

FCC ID: 2AI6D-X96MAX

Changes or modifications not expressly approved by the party responsible for compliance could void the user's authority to operate the equipment.

This device complies with Part 15 of the FCC Rules. Operation is subject to the following two conditions: (1) this device may not cause harmful interference, and (2) this device must accept any interference received, including interference that may cause undesired operation.

This equipment has been tested and found to comply with the limits for a Class B digital device, pursuant to Part 15 of the FCC Rules. These limits are designed to provide reasonable protection against harmful interference in a residential installation. This equipment generates, uses and can radiate radio frequency energy and, if not installed and used in accordance with the instructions, may cause harmful interference to radio communications. However, there is no guarantee that interference will not occur in a particular installation.

If this equipment does cause harmful interference to radio or television reception, which can be determined by turning the equipment off and on, the user is encouraged to try to correct the interference by one or more of the following measures:

- Reorient or relocate the receiving antenna.
- Increase the separation between the equipment and receiver.
- Connect the equipment into an outlet on a circuit different from that to which the receiver is connected.
- Consult the dealer or an experienced radio/TV technician for help.

This equipment complies with FCC radiation exposure limits set forth for an uncontrolled environment. This equipment should be installed and operated with a minimum distance of 20cm between the radiator & your body. This transmitter must not be co-located or operating in conjunction with any other antenna or transmitter.