

The logo for AMS, consisting of the letters 'A', 'M', and 'S' in a stylized, outlined font.

WWW.AMS-DIFFUSION.COM

## OWNER'S MANUAL



# CT424 DAB BT/ TUNER CT424 DAB BT

## Safety Information

Thank you for purchasing this product, please read the manual carefully before operating, and reserve it for future reference.

### PRECAUTIONS

- Only in a 24-volt DC negative-ground electrical system.
- Disconnect the vehicle's negative battery terminal while mounting and connecting the unit.
- When replacing the fuse, be sure to use one with an identical amperage rating. Using a fuse with a higher amperage rating may cause serious damage to the unit.
- Make sure that pins or other foreign objects do not get inside the unit, they may cause malfunctions, or create safety hazards such as electrical shock.
- If you have parked the car for a long time in hot or cold weather, wait until the temperature in the car becomes normal before operating the unit.
- Keep the volume at a level at which you can hear outside warning sounds (horns sirens, etc.).

### CAUTION

- DO NOT open covers and do not repair by yourself. Ask the dealer or an experienced technician for help.

## Specifications

### General

Power supply:	24V DC (18~32V)
Maximum power speaker:	4X20W
Suitable speaker impedance:	4 ohm
Fuse spec:	10A
Weight:	0.56kg
Dimensions (WxDxH):	188x118x58.5mm

### FM Stereo Radio

Frequency range:	76 - 90 Mhz (japan mode ) 87.5 - 108 MHz
Signal/noise ratio:	50dB
AUTO Step:	100KHz

### AM (MW) Radio

Frequency range:	522-1620KHz
Step:	9KHz

### LW Radio(EURO)

Frequency range:	153-280KHz
AUTO Step:	1KHz

### EXT (AUX)

Jack Stereo 3.5mm  $\geq$  300mV auxiliary source

### DIGITAL RADIO (DAB)

Frequency range:	174.928-239.200 MHz 1452.960-1490.624MHz
Step:	20KHz

## Contents

Safety Information .....	1
Specifications.....	1
Panel Controls.....	2
Button Tips.....	3
Bluetooth Functions.....	7
USB function Summarization.....	7
DAB function .....	8
Other function.....	10
FCC.....	11
Troubleshooting.....	12

### User Safety Code

You need to enter password when power on, the original password is 1234.

### BEFORE OPERATION

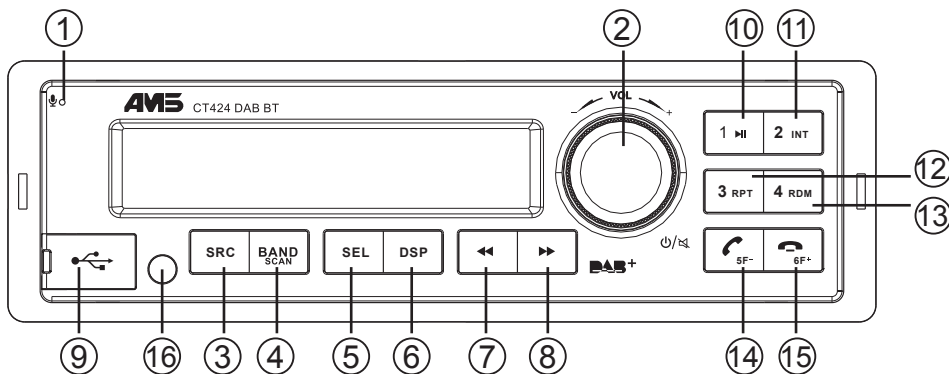
- Do not raise the volume level too much, as this will block outside sounds, making driving dangerous.
- Stop the car before performing any complicated operation.

Note:

1. According to models with different wiring connect to harness the definition of the specific content, please refer to the model label.
2. Specifications and the design are subject to change without notice due to improvements in technology.

## Panel Controls

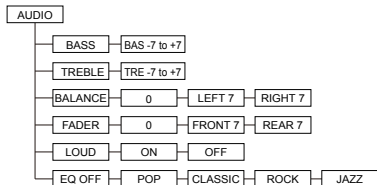
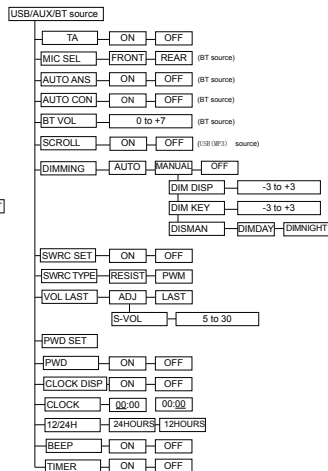
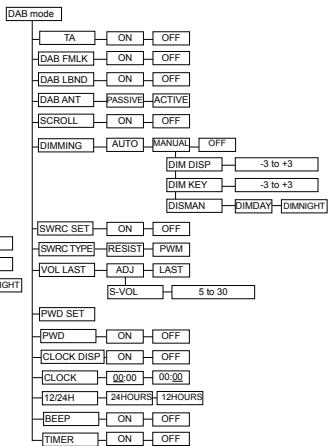
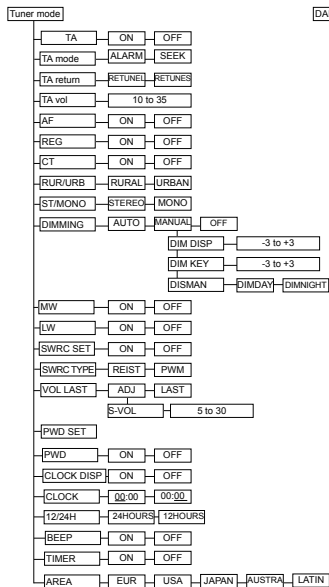
- (1). - Microphone
- (2). - Power on (press),  
- Mute (short press),  
- Adjust volume (rotate)  
- Power off (long press)
- (3). - Press to toggle the playing Sources:  
Radio,  
USB (when USB inserted),  
AUX IN,  
A2DP (when Bluetooth is connected),  
DAB  
- Hold it more than 2 seconds and rotate the [volume] knob to select PTY mode.
- (4). - Band switch:  
DAB 1 / DAB 2 / DAB 3  
- Auto memory system: hold it to automatically search station and save the strongest signal station to preset from 1 to 6 on the current band.
- (5). - Press [SEL] and rotate [volume] knob to select EQ (equalizer) preset mode.  
- Press to confirm, when selecting the PTY mode,  
When in dial number mode, press [SEL] to start and rotate [volume] knob to dial a phone number.
- (6). - Radio mode: Press [DSP] (display) to access: PTY info/ Display FM/AM frequency/clock  
- MP3 mode: track duration  
- Hold it to enter setting mode
- (7). - Radio mode:  
Automatic search the station from high to low.



- (8). - Radio mode  
Automatic search the station from low to high:  
Hold the touch 2 seconds for manual station search
- MP3 / BT music mode  
Select the previous track  
Fast rewind (long press) only USB
- MP3 / BT music mode  
Select the next track  
Fast forward (long press) only USB
- (9). - USB slot
- (10). - Play/pause (when USB / BT music)

- (11). - Auto playback at the beginning of the track (10 seconds) with an USB device.
- (12). - MP3 repeat play
- (13). - MP3 random play
- (14). - MP3 folder back/Answer/Dial/Call transfer/Hang on
- (15). - MP3 folder ahead/Hang off/ Disconnect (long press)
- (10-15).  
-1-6 radio preset  
Press to select tune in a preset station.  
Hold for more than 2 seconds to save current station.
- (16). - AUX

# Button Tips



# Button Tips

## MP3 Playback

### Track skip

Press the [◀▶] button to go to the previous or next track.

### MP3 track fast search

Hold it [◀▶] to enter fast forward or reverse back mode.

### Folder select

Press the [↶5F-]/[↷6F+] button to select MP3 folder back/ahead.

## Set Clock

### Radio mode:

Press [DSP] button, turn and turn display PTY/Clock/current channel.

MP3 playback mode: press [DSP] button, turn and turn about folder name/file name/ID3 TAG/Clock

Then press [DSP] button more than 2 seconds, 'Clock' displayed, press [SEL] button, rotate the [volume] knob and press [◀▶] button to set, press [SEL] to confirm.

### Automatic clock setting :

While listening an FM RDS station, transmitter updates automatically time on the radio unit.

### Clock format:

Press several times on [SEL] button to view "24 hours".

Rotate [volume] knob to select "12 hours" mode (displays PM or AM).

## System setting

On the non time display menu:

Hold the [DSP] to enter the system setup menu, and press [◀▶] button to select:

CLOCK→TA(ON/OFF)→TA MODE ALARM/  
SEEK→TA RETURN/RETURNS→TAL VOL(10

to 35) → AF(ON/OFF) → REG(ON/OFF) → CT(ON/OFF) → DX/LOCAL → ST/MONO → AUTO ANS(ON/OFF) → AUTO CON(ON/OFF) → BEEP(ON/OFF) → 12/24H → MIC/SEL (REAR/FRONT) → AREA → SWRC SET (ON/OFF) → TIMER(ON/OFF) → SCROLL(ON/OFF) → BT VOL(0 to +7) → VOL LAST/ADJ → S- VOL(5 to 30) → PWD SET → PWD(ON/OFF)  
Wait for 1s and rotate the knob to adjust.

## TA mode

Enable /Disable automatic switching to FM- tuner mode in case of incoming Traffic announcements.

Rotate the [volume] knob to select TA ALARM or TA SEEK mode. If the TA (traffic announcements) is turned on and there is no traffic program identification code received in the specified time, no TA/TP will display and either TA ALARM or TA SEEK will be activated.

### TA ALARM mode

Alarm is turned on

A beep sounds and the display show "No TA-TP" when you are listening a radio station that does not broadcast TP info.

### TA SEEK mode

TA SEEK is automatically activated.

The radio will automatically search for a new "TP" compatible transmitter in case of signal loss on the station playing.

### Note

EUROPE area: add to RDS function, JAPAN, AUSTRALIA and USA area: no RDS function.

## TA setting

Rotate [volume] knob to set ON/OFF.

### TA VOL mode

Rotate the [volume] knob to adjust TA VOL 10-35.

### VOL ADJ mode

Rotate the [volume] knob to select VOL ADJ or LAST mode.

If ADJ selected after pressing >> "S-VOL" will display to adjust the sound [volume] at the radio ignition settings from 5 to 30.

## TA RETURN

On the FM mode, set the TA time space Info of auto search with RDS.

Setting for "LONG", Auto search the TA time space for 180 sec, Setting for "SHORT", auto search the TA time space for 45 sec.

## AREA SETTING

AREA setting: Rotate the [volume] knob to select EUROPE, USA, JAPAN, AUSTRALIA, LATIN

## Audio setting

Press [SEL] button, and press the [◀▶] button to select BASS/TREBLE/BALANCE/FADER/LOUD/EQ function, rotate the knob to adjust.

## Radio Operation

### Radio seek automatically

Press the [◀▶] button to auto search the station rewind / forward.

### Radio tune by step

Hold [◀▶] button more than 2 seconds, switch to the MANUAL mode, then short press [◀▶] button to step search the station rewind / forward.

### Manual Memory Store

At FM1/FM2/FM3/MW1/MW2/LW mode, press and hold button 1-6 to save current station in memory. You can save up to 36 stations in total.

## Button Tips

### RDS

#### AF (Alternative Frequency):

When the radio signal strength is weak, enabling the AF function will allow the unit to automatically search another station with the same PI, but with stronger signal strength.

**PS (Program Service name):** The name of station will be display instead of frequency. Press 2 seconds the [DSP] button and select [◀▶] to set AF/TA/REG, rotate the [volume] knob to open or close AF/TA function.

### PTY function

Hold the [SRC] button to PTY function, rotate the [volume] knob, display NEWS and POP program type.

Press 2 seconds [SRC] button and rotate the [volume] knob to select the type of station **INFO-SPORT-EDUCATE-DRAMA-CULTURE-SCIENCE-VARIED-POPM-ROCK M-EASY M-LIGHT M-CLASSICS-OTHER M-WEATHER-FINANCE-CHILDREN-SOCIAL-RELIGION-PHONEIN-TRAVEL-LEISURE-JAZZ-COUNTRY-NATIONM-OLDIES-FOLK-DOCUMENT-TEST-ALARM**

**REG on:** AF function will implement the regional code (of the PI) and only stations in the current region can be tuned automatically.  
**REG off:** AF function will ignore the regional code(of the PI) and stations in the other regions can also be tuned automatically.

### CT ON/OFF

While listening an FM RDS station, transmitter updates automatically the clock on the radio unit.

### Automatic display of the clock

This function allows to display automatically the clock instead of the "standard" display (tuner, Aux, A2DP, USB). After 15 seconds, in case of manipulation of buttons the display will turn back to "standard" display and will return on the clock.

nb : Noted: some radio stations, besides their name, reveal " RT + " information (name of the artist, titles, etc.), in this case the clock will display between 2 scrollings of text.

Activation:

Press 2 seconds on "DSP" and then press the button [◀▶] several times to select function. CLOCK\_DISP displays, select ON to activate the function.

### BT Audio

To play music from a Bluetooth device and control with the unit.

1. Press [SRC] button several time up to select BT MUSIC mode. If the Bluetooth device is connected, the display shows A2DP.
2. To play or pause, press "1" and/or [◀▶] to skip the track

MUSIC mode : If the Bluetooth device is connected, the display shows A2DP.

### VOL LAST/ADJ mode

Rotate the [volume] knob to select VOL LAST or ADJ mode.

In ADJ mode, rotate the [volume] knob to adjust S-VOL 5-30.

### BEEP mode

Rotate the [volume] knob to select button beep sound on or off.

### SCROLL mode

Rotate the [volume] knob to select SCROLL (ID Tag) mode on or off.

### SWRC function (system wired remote control)

This function allows to control main functions of the radio (VOL-/VOL+ /Source /SEEK+/SEEK-/ Tune Memory /BT-OFF hang off) in USB/BT/A2DP/AUX.

To do so, you need a wired remote to connect to the female input 3.5, yellow connector at the back of the radio.

### SWRC SET

Activate or deactivate the steering wheel controls

### SWRC (RESIST / PWM) on CT412-DAB

Allows you to select the signal mode of the steering wheel controls:

## Button Tips

- > RESIST: chain of resistors
- > PWM: frequency - 100 Hz at 12 Volts

### Timer ON/OFF

**Timer ON:** when ignition of the machine is off, you can turn the unit on by pressing POWER button, and it can work for about 2 hours

**Timer OFF:** when ignition of the machine is off, the unit can't work anymore.

### AREA mode

Press [DSP] button more than 2 seconds, then press [◀/▶] button several time to select AREA function. Rotate the knob to select "EUROPE--USA--JAPAN- AUSTRA-LATIN".

NB : the radio will delete the preselected station memory

### LOUD ON/OFF

Press [SEL] to display EQ OFF, then press [◀/▶] button several time to select LOUD function.

Rotate the [volume] knob to select Loudness ON or OFF.

### STEREO/MONO mode (in Radio mode)

Press [DSP] button more than 2 seconds, then press [◀/▶] button several time to select ST/MONO function. Rotate the [volume] knob to select FM stereo or mono.

### LOCAL ON/OFF mode (OFF=DX)

Press [DSP] button more than 2 seconds, then press [◀/▶] button several time to select DX/LO. Rotate the [volume] knob to select tuner sensitivity distant or local.

### MIC

In Default settings, the MIC SEL is "REAR". The micro cable is connected at the rear of the radio, we advise you not disconnect the micro cable in order to avoid losing it.

On the non time display menu:

Press and hold [DSP] button more than 2 seconds, then press [◀/▶] button several time to select MIC SEL and rotate the [volume] knob to select "FRONT".

## Bluetooth Functions

### Pairing

1. Open the device's BT function,
2. Search bluetooth equipments by your device. Please make sure your device be detectable (through the menu on the device).
3. Select unit CT424 DAB BT to connect.

Press [**↶6F+**] button more than 2 seconds, and the Bluetooth device will be disconnected (only in A2DP mode or phone use).

### AUTO CON mode

Press [DSP] button more than 2 seconds. Press [**◀**] or [**▶**] to display "AUTO CON". Rotate the [volume] knob to select AUTO CON mode, select on or off. When it is on, it will automatically connect the device.

### AUTO ANS

Press [DSP] button more than 2 seconds. Press [**◀**] or [**▶**] to display "AUTO ANS". Rotate the [volume] knob to select AUTO ANS mode, select on or off. When it is ON, the radio will automatically hang on after a ring tone (4/5).

### BT mode selecting

Press [SRC] button to select BT mode. Press [DSP] button to display the A2DP information.

### Dialing

1. Phone dialing  
Use your mobile phone dialing, LCD screen displays dialing information.
2. Unit dialing  
Press [SRC] button to switch to A2DP(BT) mode. Press [**↶5F-**] the picture hang on and "DIAL NO" appears on the LCD, then press [SEL] button to enter dialing mode. Press

[**◀▶**] button and rotate the [volume] knob to input dialing numbers, press [**↶5F-**] button to dial out.

3. You can search for any call, dialed, missed, or received. As previously for ""DIAL NUM"" function, select ""Dialed"", ""Missed"" or ""Received"".

> Press the [SEL] button to enter the selected history.

> Turn the [VOL] knob to scroll through the contacts.

> When the contact's name or mobile phone number is displayed, press the [5F /] button to call the mobile phone number of this contact. Press the [6F /] key to end the call

### Voice switch

During the call, Press the [**↶5F-**] button to transfer between the unit and your phone.

### Hang up/Answer

Press [**↶5F-**] button to answer a call, Press [**↷6F+**] button to hang up.

### A2DP mode

On A2DP music playing mode, press [1] button to pause/play.

Press [**◀▶**] to previous or next track.

In AD2P mode, if your phone is paired you can order vocally by "SIRI" or "Google" application to select and give a call.

On some ANDROID versions you can separate phone book and music management in order to connect two Bluetooth devices

1. Standard Setting (one device phone and media)with your phone you can receive and send a call and listen to your music at your device
2. Double connection (2 phones connected at the same time)
  - first in BT ( receipt and phone call)
  - second in A2DP mode(listen to your music)

## USB Function Summarization

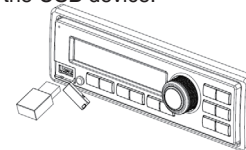
- you can free media connection on the first phone
- on the phone, enter the Bluetooth setting
  - position yourself on the device
  - go to the setting at this device
  - uncheck the setting " audio parameter Media"
  - close the acces parameter the first device received an transmit call, the second device playing the audio media, to return to standard parametrage, tick the box of the first device having disconnected the second device

### Voice commands

In the A2DP mode, you can use voice commands (mobile application SIRI / Google voice / and Android) to make a telephone call from the phone book or write a SMS. "Voice commands" function must be activated on your telephone and avoid noisy environment.

### Loading/Take out USB equipment

1. Open the USB cap located on the bottom left of the unit, insert a USB device into the connector and the unit will begin to play automatically.
2. To stop playback of USB device, push the [SRC] button to non USB mode and then remove the USB device.





# DAB function

## DAB Radio Selection

DAB/DAB+ Provides radio programs in digital sound quality. To access Digital Audio Broadcast (DAB) press the [SRC] button and select DAB

## DAB Service SCAN "Synchronising"

If the antenna is not connected, ""No signal"" will be displayed. If the tuner has never been used, ""No service"" will be displayed.

Automatic scan:

The radio will initiate an automatic scan of the DAB transmitters for the first operation, or if the DAB transmitters is lost.

Manual scan:

In DAB mode, if you want to launch a scan, hold down the ""BAND/SCAN"" button for 1 second. The screen will display the message ""SCAN OK"" and will display the numbers 1 to 100K one after the other (DAB block). At the end of the scan, the screen will display the number of stations received (e.g. FOUND 39 = 39 stations found) and will broadcast the first station.

## Select DAB group

"Press the [ BAND ] Button to select one of the available DAB groups:  
DAB1 > DAB2 > DAB3. They allow the storage of 6 stations each"

## Tuning a DAB Service

To tune a DAB service push [< / >] to select the next/previous DAB service. "Tuning" is shown on the Display, Then the station is automatically broadcast

## DAB Service List

"To get an overview of receivable DAB services . Push [SEL] for 2 seconds to open the DAB Service List, Rotate the [VOL] knob to scroll through the list of receivable stations. Push [SEL] to tune a DAB service . "Tuning" is shown on the display, then the station is automatically broadcast "

## Storing DAB Favourites

"There are 3 favorite DAB groups available (DAB1 -> DAB2 -> DAB 3). Select DAB1-2-3 where you want to store the station, then press the preset button for more than 2 seconds "

## Recall Stored Favourites

To recall a preset station, briefly press the desired button (1 to 6)

## Switching automatic between DAB and FM (DABFMLNK)

When the DAB signal quality drops significantly, it is preferred to switch and listen to the service via FM. Switching between DAB and FM (DABFMLNK) can be disabled via the system settings menu.

Note: If the AF indicator is not displayed, the radio has not found the corresponding station in FM and can not switch from DAB to FM and vice versa

## Rural / Urban

Press the [</>] button several times to select RURAL / URBAN. Turn the [volume] button to select the appropriate tuner mode: RURAL (poor reception) or URBAN (locations near emitters).

## BT VOL

Adjusts the level of the AD2P-BT relative to other sources (from 0 to +7).

This radio allows manual or automatic dimming of the display and key buttons. Select ""DIMMING"" from the setup menu and select one of the following:  
> Select ""OFF"" to deactivate dimming  
> Select the ""MANUAL"" attenuation when the radio is not connected to the vehicle ignition pin . The change between day and night mode is done by selecting Settings menu ""DIMDAY"" or ""DIMNIGHT""  
> Select the ""AUTO"" attenuation when the radio is correctly connected to the vehicle ignition pin (A6, +12 V lantern or pilot lights), the lighting will change when the parking light is switched on. Select Manual dimming to adjust Brightness of display and Buttons". Select DIM MAN and change between day mode and night mode by selecting "DIMDAY" or "DIMNIGHT"  
> To adjust Night Brightness of the display and buttons select "DIMNIGHT"  
> To adjust Day Brightness of the display and buttons select "DIMDAY"

## DAB function

### DIM KEY

Select "DIM KEY" and adjust the brightness from the buttons

### DIM DISP

Select "DIM KEY" and adjust the brightness from the display

### MW (ON/OFF)

To enable/disable MW Reception

### LW (ON/OFF)

To enable/disable LW Reception

### DAB FMLK

Switching automatic between DAB and FM (DABFMLNK). When the DAB signal quality drops significantly, it is preferred to switch and listen to the service via FM.

Switching between DAB and FM (DABFMLNK) can be disabled via the system settings menu.

Note: If the AF indicator is not displayed, the radio has not found the corresponding station in FM and can not switch from DAB to FM and vice versa

### DAB ANT

Selection of Active or Passive antenna

### DAB LBND

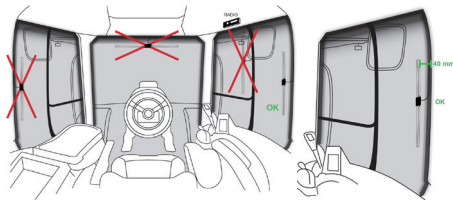
Rotate the knob to choose DAB LBND ON or OFF (Enable/Disable L-Band Decoding)

### DAB antenna set-up

Position the antenna

- on the windscreen inside the car
- to the right of the driver for safety reasons
- on a fixed surface; avoid moving parts such as doors, windows, etc.
- vertically and half way up the windscreen, out of the driver's field of vision.

A detailed version of the assembly notes is available to download <http://pro.ams-diffusion.fr/aftersale/>



### Characteristics

These specifications may be modified without notice.

Frequency band: 170 - 240 MHz (Band III),  
1452 - 1492 MHz (Band L), Impedance: 50  $\Omega$   
Connector type: SMB

Cable length: 2.9m

## Other functions

### USB functions(flash memory type)

1. USB flash memory 2 in 1 support
2. FAT 12/FAT 16/FAT 32 format supported.
3. USB 1.1 support, USB 2.0 support (For 2.0, speed performance is as USB 1.1)
4. WMA files supported
5. Maximum number of MP3 files FAT 32 format supported is 65535 files. (Maximum number of MP3 files NTFS supported is 1000 files. )  
Maximum number of folders is 999.
6. Maximum USB capacity support is 8 GB and best performance with tracks not more than 500, and not exceeding 30 folders.
7. Not all USB devices are compatible with the unit.

### AUX mode

When radio is on, press [SRC] button several time, to display AUX.

When the radio is OFF but the contact and the power are ON : If your device detected the Telemute signal (ground A2), the device switch ON automatically.

When the signal disappeared, the device switch OFF.

nb: Control the track with the external device  
When using AUX mode, only the POWER knob, the [volume] and [SRC] button can be used.

### Timer function

If the device is switched on while the ignition is on, it then switches off and on again automatically with the ignition. This is provided

that the A7 contact is connected to the terminal 15/30 of the vehicle. If the device is switched on without the ignition by pressing "POWER", it switches off again after 120 minutes to save the battery. The device can then be switched on again with "POWER".

**Caution:** When the radio is switched on, the automatic antenna extends.  
Therefore always switch off the device when the situation requires it (e.g. in a station car wash).

You can stop this function in the MENU.

### SRC Button

Press the [SRC] button to switch from Radio, USB (when USB is connected), AUX (when the device is connected), BT audio, AD2P (when the BT device is connected)

### Password entered

Rotate the [volume] knob to select the digits, press the [◀▶] buttons to change the digits. Once the password is fully displayed, press the [SEL] button at least 2 seconds to confirm, the radio switches to the last tuner mode listened. If the password is incorrect, "ERROR" appears on the display. Please enter the password again. If the user code is lost, contact the After Sales Service.

### PWD OFF/ON: Activating/Desactivating the security code.

When the unit is switched on, Press [DSP] button more than 2 seconds then press [◀▶] button several time to select "PWD OFF/ON" and turn the [volume] knob to select "ON" or "OFF": the password is activated or deactivated.

When set to "ON", the radio code will be requested or if you have disconnected the permanent + (B + battery), you will have to enter the password after each time the battery is disconnected (the default password is "1234"). If you only turn off the ignition (+15/30), the code will not be requested.

### PWD NEW: Create a new password

You can set a new password for the unit:  
Press [DSP] button more than 2 seconds then press [◀▶] button several time to select "PWD SET", enter your old password, press the [SEL] button at least 2 seconds to confirm. If the old password is incorrect, "ERROR" "AGN" appears on the display, please enter the password again.

If the old password is correctly entered, "NEW" is displayed, enter your new password, press the [SEL] button at least 2 seconds to confirm. "AGN" is displayed, enter your new password again and press the [SEL] button at least 2 seconds to confirm; "SET OK" is ;displayed: the code has been updated.

## FCC STATEMENT

1. This device complies with Part 15 of the FCC Rules. Operation is subject to the following two conditions:

(1) This device may not cause harmful interference, and,

(2) This device must accept any interference received, including interference that may cause undesired operation.

2. any Changes or modifications not expressly approved by the party responsible for compliance could void the user's authority to operate the equipment.

NOTE: This equipment has been tested and found to comply with the limits for a Class B digital device, pursuant to Part 15 of the FCC Rules. These limits are designed to provide reasonable protection against harmful interference in a residential installation.

This equipment generates uses and can radiate radio frequency energy and, if not installed and used in accordance with the instructions, may cause harmful interference to radio communications. However, there is no guarantee that interference will not occur in a particular installation. If this equipment does cause harmful interference to radio or television reception, which can be determined

by turning the equipment off and on, the user is encouraged to try to correct the interference by one or more of the following measures:

- Reorient or relocate the receiving antenna.
- Increase the separation between the equipment and receiver.
- Connect the equipment into an outlet on a circuit different from that to which the receiver is connected.
- Consult the dealer or an experienced radio/TV technician for help.

## FCC Radiation Exposure Statement

This equipment complies with FCC radiation exposure limits set forth for an uncontrolled environment. This equipment should be installed and operated with minimum distance 20cm between the radiator & your body

## TROUBLESHOOTING

The following checklist can help you to solve some issues which you may encounter when using the unit. Before consulting it, check the connections and follow the instructions in the user manual. Do not use the unit in abnormal condition, for example without sound, or with smoke or foul smell can cause fire or electric shock, immediately stop using it and call the save where you purchased it.

Issue	Possible cause	Solution
<b>General</b>		
The unit does not switch on.	Car ignition is not on. Cable is not properly connected. Fuse is burnt.	Turn your car key in the ignition. Check cables connection. Replace fuse with a new fuse of the same capacity.
No sound	Volume is set at minimum or the MUTE function is on.	Check the volume or switch the MUTE function off.
The unit or screen does not work normally.	The unit system is unstable.	Please contact our After Sales Service
<b>Tuner mode</b>		
Unable to receive stations.	The antenna is not correctly connected properly.	Please check if the antenna is correctly connected and check adaptors.
Bad quality reception of radio station.	The antenna is not fully extended or it is broken.	Fully extend the antenna and if broken, replace it with a new one.
Preset stations are lost.	- You may have changed reception AREA (USA...) as this changing cancel all your presets stations. - You maybe RESET the unit inadvertently (the unit has turned back to factory settings	- Please turn back to the right AREA. - You need to set again all parameters
<b>USB mode</b>		
Unable to insert USB device	The USB device has been inserted the wrong way round.	Insert it the other way around.
The USB device cannot be read.	NTFS format is not supported. Application files such as ".exe"cannot be read	Check that the file system is in FAT or FAT32 format. Due to different formats, some models of storage devices or MP3 players may not be read. Please make sure that the USB device only contain WMA or MP3 (AAC not compatible)
<b>Microphone</b>		
practical advice : Bluetooth microphone recommendation	Bad quality sound of the microphone	According the location of the radio in your machine, which microphone to use : - If the radio location is in face to the driver, we recommend then to use the front panel microphone. - If the radio location is not face to the driver but on the sides or rear, we highly recommend the use of wired remote microphone (rear connection) and place the microphone face to the driver.



*WWW.AMS-DIFFUSION.COM*

---

ZA du Chevalement - Rue des Galeries 59286 ROOST WARENDIN - FRANCE

Phone : +33 (0)3 27 94 44 44 Fax : +33 (0)3 27 94 44 45

Web : [www.ams-diffusion.com](http://www.ams-diffusion.com)

P/N:12707500XXXX  
V1-122018