



INSTALLATION & HARDWARE REFERENCE MANUAL

MODERO X[®] SERIES G5 TOUCH PANELS

MXT-2001-PAN 20.3" MODERO X SERIES G5 PANORAMIC TABLETOP TOUCH PANEL

MXD-2001-PAN-L 20.3" MODERO X SERIES G5 PANORAMIC LANDSCAPE WALL MOUNT TOUCH PANEL

MXD-2001-PAN-P 20.3" MODERO X SERIES G5 PANORAMIC PORTRAIT WALL MOUNT TOUCH PANEL

MXT-1901-PAN 19.4" MODERO X SERIES G5 PANORAMIC TABLETOP TOUCH PANEL

MXD-1901-PAN-L 19.4" MODERO X SERIES G5 PANORAMIC LANDSCAPE WALL MOUNT TOUCH PANEL

MXD-1901-PAN-P 19.4" MODERO X SERIES G5 PANORAMIC PORTRAIT WALL MOUNT TOUCH PANEL

MXT-1001 10.1" MODERO X SERIES G5 TABLETOP TOUCH PANEL

MXD-1001-L 10.1" MODERO X SERIES G5 LANDSCAPE WALL MOUNT TOUCH PANEL

MXD-1001-P 10.1" MODERO X SERIES G5 PORTRAIT WALL MOUNT TOUCH PANEL

MXT-701 7" MODERO X SERIES G5 TABLETOP TOUCH PANEL

MXD-701-L 7" MODERO X SERIES G5 LANDSCAPE WALL MOUNT TOUCH PANEL

MXD-701-P 7" MODERO X SERIES G5 PORTRAIT WALL MOUNT TOUCH PANEL



IMPORTANT SAFETY INSTRUCTIONS

1. READ these instructions.
2. KEEP these instructions.
3. HEED all warnings.
4. FOLLOW all instructions.
5. DO NOT use this apparatus near water.
6. CLEAN ONLY with dry cloth.
7. DO NOT block any ventilation openings. Install in accordance with the manufacturer's instructions.
8. DO NOT install near any heat sources such as radiators, heat registers, stoves, or other apparatus (including amplifiers) that produce heat.
9. DO NOT defeat the safety purpose of the polarized or grounding type plug. A polarized plug has two blades with one wider than the other. A grounding type plug has two blades and a third grounding prong. The wider blade or the third prong are provided for your safety. If the provided plug does not fit into your outlet, consult an electrician for replacement of the obsolete outlet.
10. PROTECT the power cord from being walked on or pinched, particularly at plugs, convenience receptacles, and the point where they exit from the apparatus.
11. ONLY USE attachments/accessories specified by the manufacturer.



12. USE ONLY with a cart, stand, tripod, bracket, or table specified by the manufacturer, or sold with the apparatus. When a cart is used, use caution when moving the cart/apparatus combination to avoid injury from tip-over.
13. UNPLUG this apparatus during lightning storms or when unused for long periods of time.
14. REFER all servicing to qualified service personnel. Servicing is required when the apparatus has been damaged in any way, such as power-supply cord or plug is damaged, liquid has been spilled or objects have fallen into the apparatus, the apparatus has been exposed to rain or moisture, does not operate normally, or has been dropped.
15. DO NOT expose this apparatus to dripping or splashing and ensure that no objects filled with liquids, such as vases, are placed on the apparatus.
16. To completely disconnect this apparatus from the AC Mains, disconnect the power supply cord plug from the AC receptacle.
17. Where the mains plug or an appliance coupler is used as the disconnect device, the disconnect device shall remain readily operable.
18. DO NOT overload wall outlets or extension cords beyond their rated capacity as this can cause electric shock or fire.



The exclamation point, within an equilateral triangle, is intended to alert the user to the presence of important operating and maintenance (servicing) instructions in the literature accompanying the product.



The lightning flash with arrowhead symbol within an equilateral triangle is intended to alert the user to the presence of uninsulated "dangerous voltage" within the product's enclosure that may be of sufficient magnitude to constitute a risk of electrical shock to persons.



ESD Warning: The icon to the left indicates text regarding potential danger associated with the discharge of static electricity from an outside source (such as human hands) into an integrated circuit, often resulting in damage to the circuit.

- WARNING:** To reduce the risk of fire or electrical shock, do not expose this apparatus to rain or moisture.
- WARNING:** No naked flame sources - such as candles - should be placed on the product.
- WARNING:** Equipment shall be connected to a MAINS socket outlet with a protective earthing connection.
- WARNING:** To reduce the risk of electric shock, grounding of the center pin of this plug must be maintained.

COPYRIGHT NOTICE

AMX© 2015, all rights reserved. No part of this publication may be reproduced, stored in a retrieval system, or transmitted, in any form or by any means, electronic, mechanical, photocopying, recording, or otherwise, without the prior written permission of AMX. Copyright protection claimed extends to AMX hardware and software and includes all forms and matters copyrightable material and information now allowed by statutory or judicial law or herein after granted, including without limitation, material generated from the software programs which are displayed on the screen such as icons, screen display looks, etc. Reproduction or disassembly of embodied computer programs or algorithms is expressly prohibited.


LIABILITY NOTICE


No patent liability is assumed with respect to the use of information contained herein. While every precaution has been taken in the preparation of this publication, AMX assumes no responsibility for error or omissions. No liability is assumed for damages resulting from the use of the information contained herein. Further, this publication and features described herein are subject to change without notice.

AMX WARRANTY AND RETURN POLICY

The AMX Warranty and Return Policy and related documents can be viewed/downloaded at www.amx.com.

ESD WARNING

	<p>To avoid ESD (Electrostatic Discharge) damage to sensitive components, make sure you are properly grounded before touching any internal materials.</p> <p>When working with any equipment manufactured with electronic devices, proper ESD grounding procedures must be followed to make sure people, products, and tools are as free of static charges as possible. Grounding straps, conductive smocks, and conductive work mats are specifically designed for this purpose.</p> <p>Anyone performing field maintenance on AMX equipment should use an appropriate ESD field service kit complete with at least a dissipative work mat with a ground cord and a UL listed adjustable wrist strap with another ground cord</p>
---	--

	<p>WARNING: Do Not Open! Risk of Electrical Shock. Voltages in this equipment are hazardous to life. No user-serviceable parts inside. Refer all servicing to qualified service personnel.</p> <p>Place the equipment near a main power supply outlet and make sure that you can easily access the power breaker switch.</p>
---	---

WARNING: This product is intended to be operated ONLY from the voltages listed on the back panel or the recommended, or included, power supply of the product. Operation from other voltages other than those indicated may cause irreversible damage to the product and void the products warranty. The use of AC Plug Adapters is cautioned because it can allow the product to be plugged into voltages in which the product was not designed to operate. If the product is equipped with a detachable power cord, use only the type provided with your product or by your local distributor and/or retailer. If you are unsure of the correct operational voltage, please contact your local distributor and/or retailer.

FCC AND CANADA EMC COMPLIANCE INFORMATION:

This device complies with part 15 of the FCC Rules. Operation is subject to the following two conditions:

- (1) This device may not cause harmful interference, and (2) this device must accept any interference received, including interference that may cause undesired operation.

NOTE: This equipment has been tested and found to comply with the limits for a Class B digital device, pursuant to part 15 of the FCC Rules. These limits are designed to provide reasonable protection against harmful interference in a residential installation. This equipment generates, uses and can radiate radio frequency energy and, if not installed and used in accordance with the instructions, may cause harmful interference to radio communications. However, there is no guarantee that interference will not occur in a particular installation. If this equipment does cause harmful interference to radio or television reception, which can be determined by turning the equipment off and on, the user is encouraged to try to correct the interference by one or more of the following measures:

- Reorient or relocate the receiving antenna.
- Increase the separation between the equipment and receiver.
- Connect the equipment into an outlet on a circuit different from that to which the receiver is connected.
- Consult the dealer or an experienced radio/TV technician for help.

Approved under the verification provision of FCC Part 15 as a Class B Digital Device.

Caution: Changes or modifications not expressly approved by the manufacturer could void the user's authority to operate this device.

CAN ICES-3 (B)/NMB-3(B)

WIRELESS TRANSMITTER COMPLIANCE INFORMATION:

The term "IC:" before the radio certification number only signifies that Industry Canada technical specifications were met.

Le terme "IC:" avant le numéro de certification radio signifie seulement que les spécifications techniques d'Industrie Canada ont été respectées.

This device complies with part 15 of the FCC Rules and the applicable Industry Canada license-exempt RSS standard(s). Operation is subject to the following two conditions: (1) this device may not cause harmful interference, and (2) this device must accept any interference, including interference that may cause undesired operation of the device.

Le présent appareil est conforme aux CNR d'Industrie Canada applicables aux appareils radio exempts de licence. L'exploitation est autorisée aux deux conditions suivantes : (1) l'appareil ne doit pas produire de brouillage, et (2) l'utilisateur de l'appareil doit accepter tout brouillage radioélectrique subi, même si le brouillage est susceptible d'en compromettre le fonctionnement.

This equipment complies with FCC and IC radiation exposure limits set forth for an uncontrolled environment. This equipment should be installed and operated with minimum distance 20cm between the radiator and your body. This transmitter must not be co-located or operating in conjunction with any other antenna or transmitter.

Cet appareil est conforme à FCC et IC l'exposition aux rayonnements limites fixées pour un environnement non contrôlé. Cet appareil doit être installé et utilisé avec une distance minimale de 20 cm entre le radiateur et votre corps. Cet transmetteur ne doit pas être co-situé ou opérant en liaison avec toute autre antenne ou transmetteur.

EU COMPLIANCE INFORMATION:

Eligible to bear the CE mark; Conforms to European Union Low Voltage Directive 2006/95/EC; European Union EMC Directive 2004/108/EC; European Union Restriction of Hazardous Substances Recast (RoHS2) Directive 2011/65/EU; European Union WEEE (recast) Directive 2012/19/EU; European Union Radio and Telecommunications Terminal Equipment (R&TTE) Directive 1999/5/EC.

You may obtain a free copy of the Declaration of Conformity by visiting <http://www.amx.com/techcenter/certifications.asp>.

WEEE NOTICE:

	<p>This appliance is labeled in accordance with European Directive 2012/19/EU concerning waste of electrical and electronic equipment (WEEE). This label indicates that this product should not be disposed of with household waste. It should be deposited at an appropriate facility to enable recovery and recycling.</p>
---	--

CHINA COMPLIANCE INFORMATION:



	<p>This device is designed and evaluated under the condition of non-tropical climate; it can only be used in locations in non-tropical climate areas. Using the device in tropical climate areas could result in a potential safety hazard.</p>
	<p>This device is designed and evaluated under the condition of altitude below 2000 meters above sea level; it can only be used in locations below 2000 meters above sea level. Using the device above 2000 meters could result in a potential safety hazard.</p>

Table of Contents

Modero X Series G5 Touch Panels	7
Overview	7
Sleep Button	8
Powering On/Off X Series G5 Panels	8
Configuration and Programming	8
Bluetooth Support	8
NFC Support	9
Active Video Windows - Limitations	9
Cleaning the Touch Overlay and Case.....	9
Additional Documentation.....	10
MXT/D-2001-PAN - 20.3" X Series G5 Panels	11
MXT-2001-PAN (Tabletop)	11
MXT-2001-PAN Specifications	11
MXD-2001-PAN (Wall-Mount - Landscape/Portrait)	13
MXD-2001-PAN Specifications	13
MXT/D-1901-PAN - 19.4" X Series G5 Panels	16
MXT-1901-PAN (Tabletop)	16
MXT-1901-PAN Specifications	16
MXD-1901-PAN (Wall-Mount - Landscape/Portrait)	18
MXD-1901-PAN Specifications	18
MXT/D-1001 - 10.1" X Series G5 Panels	21
MXT-1001 (Tabletop).....	21
MXT-1001 Specifications	21
Touch Panel Aspect Ratio	23
MXD-1001 (Wall-Mount - Landscape/Portrait)	23
MXD-1001 Specifications	23
Touch Panel Aspect Ratio	25
MXT/D-701 - 7" X Series G5 Panels	26
MXT-701 (Tabletop)	26
MXT-701 Specifications	26
Touch Panel Aspect Ratio	27
MXD-701 (Wall-Mount - Landscape/Portrait).....	28
MXD-701 Specifications	28
Touch Panel Aspect Ratio	30
Installing Tabletop (MXT) Panels	31
MXT-2001-PAN / MXT-1901-PAN	31
Connector Locations - MXT-2001-PAN / MXT-1901-PAN.....	31

MXT-1001 / MXT-701	32
Connector Locations - MXT-1001/MXT-701	32
Power via 13.5V	32
Wiring a 13.5V Power Connection	32
Power via PoE	32
Ethernet Cable Installation and Modification.....	33
Installing Wall-Mount (MXD) Panels	34
A Note About Wall and Rack Installation	34
Installation Recommendations	35
MXD-2001-PAN / MXD-1901-PAN Installation	35
Installing the MXD-2001-PAN / MXD-1901-PAN Into a Wall	35
MXD-2001-PAN Dimensions	36
MXD-1901-PAN Dimensions	37
Installing the Backbox	38
MXD-2001-PAN Installation Dimensions	38
MXD-1901-PAN Installation Dimensions	39
Power via 13.5V	41
Wiring a 13.5V Power Connection	42
Uninstalling the MXD-2001-PAN / MXT-1901-PAN	42
Removing the Panel From Its Backbox.....	42
MXD-1001 / MXD-701 Installation	43
Installing the MXD-1001 / MXD-701 Into a Wall	43
MXD-1001 Dimensions	44
MXD-701 Dimensions	45
Installing the Backbox	46
MXD-1001 Installation Dimensions	46
MXD-701 Installation Dimensions.....	47
Power via PoE	50
Ethernet Cable Installation and Modification.....	50
Uninstalling the MXD-1001	51
Removing the MXD-1001 From Its Backbox	51
Uninstalling the MXD-701	52
Removing the MXD-701 From Its Backbox	52
Appendix: Troubleshooting	53
Overview	53
Panel Doesn't Respond To Touches	53
Panel Isn't Appearing In The Online Tree Tab	53
Can't Connect To a NetLinx Master	53
Only One Modero Panel In My System Shows Up.....	53

Modero X Series G5 Touch Panels

Overview

The most elegant interface designed specifically for dedicated room control has been significantly enhanced to include a new G5 Graphic Engine to provide even faster and smoother animations and transitions, and we quadrupled the processing power with a new Quad Core Processor. This new generation of touch panels is built for usability offering edge-to-edge capacitive touch glass with multi-touch capabilities. It features advanced technology empowering users to operate AV equipment seamlessly, while providing the ultimate in audio and video quality. The distinctive appearance will complement even the most sophisticated meeting facilities and homes. With a lightning fast processor, brilliant graphics and enhanced capabilities, the Modero X Series is the control surface that simply delivers more.



FIG. 1 Modero X Series G5 Touch Panels

The Modero X Series G5 Touch Panels covered in this manual include:

Modero X Series G5 Touch Panels			
Name	FG#	Description	Page Ref
MXT-2001-PAN	FG5968-35	20.3" Modero X Series G5 Panoramic Tabletop	page 11
MXD-2001-PAN-P	Portrait: FG5968-36	20.3" Modero X Series G5 Panoramic Wall-Mounts	page 13
MXD-2001-PAN-L	Landscape: FG5968-37		
MXT-1901-PAN	FG5968-41	19.4" Modero X Series G5 Panoramic Tabletop	page 16
MXD-1901-PAN-P	Portrait: FG5968-42	19.4" Modero X Series G5 Panoramic Wall-Mounts	page 18
MXD-1901-PAN-L	Landscape: FG5968-43		
MXT-1001	FG5968-47	10.1" Modero X Series G5 Tabletop	page 21
MXD-1001-P	Portrait: FG5968-48	10.1" Modero X Series G5 Wall-Mounts	page 23
MXD-1001-L	Landscape: FG5968-49		
MXT-701	FG5968-53	7" Modero X Series G5 Tabletop	page 26
MXD-701-P	Portrait: FG5968-54	7" Modero X Series G5 Wall-Mounts	page 28
MXD-701-L	Landscape: FG5968-55		

NOTE: Note: The X Series G5 panels described in this document represent a different product family than the X Series (G4) touch panels. For information on X Series G4 touch panels, refer to the Modero X Series G4 Touch Panels Instruction Manual.

Sleep Button

X Series G5 touch panels are operated using its integral touchscreen, as well as the *Sleep* button. The Sleep button is located in the center of the top panel of the device for tabletop and landscape wall-mount panels; it is located in the center of the left panel for portrait panels (see FIG. 2 on page 8).



FIG. 2 Sleep Button location - Tabletop, Landscape and Portrait layouts)

If the device has gone into its Sleep Mode, touching the touchscreen or pressing the Sleep button will reactivate it. Press and hold the Sleep button to access the Settings menu.

Powering On/Off X Series G5 Panels

Modero X Series G5 touch panels may be powered on by touching the *Sleep* button. To power off the panel, press and hold the Sleep button, and select **Power Off** on the on-screen menu (FIG. 3):



FIG. 3 Sleep Button - Press to power on the panel; press and hold to access Power Off/Settings options

Configuration and Programming

X Series G5 touch panels are equipped with a *Settings* menu that provides the ability to configure various features on the panels. To access the *Settings* menu, press and hold the Sleep button, and select **Settings** (FIG. 3). This opens the main Settings menu (FIG. 4):

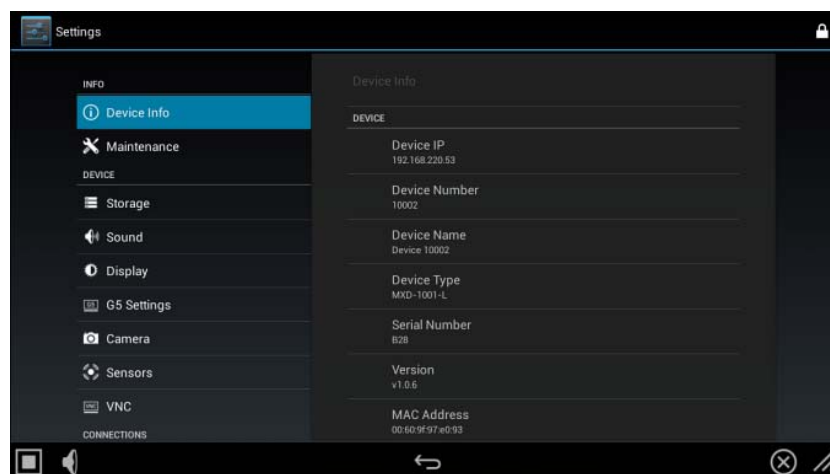


FIG. 4 Main Settings menu

Information on the *Settings* menu, panel configuration, and programming is included in the *Modero X Series G5 Programming Guide*, available at www.amx.com.

NOTE: Note: Programming the Modero X Series G5 touch panels require the use of the latest versions of *NetLinx Studio* and *TPDesign5*, both available to download at www.amx.com.

Bluetooth Support

X Series G5 touch panels allow the use of Bluetooth keyboard and mouse combinations, using HID Profile v1.1. Using a keyboard and mouse with the device requires use of the MXA-BT Bluetooth USB Adapter (**FG5968-19**).

NFC Support

X Series G5 touch panels support Near Field Communications™ (NFC) Technology. NFC technology facilitates making transactions, exchanging digital content, and connecting electronic devices with a touch. NFC transmissions are short-range (from a touch to a few centimeters), working with existing contact-less card technologies and containing built-in capabilities to support secure applications. By using NFC technology, users may receive access to touch panels and touch panel pages through access badges and other card options.

Common Access Card (CAC) Support In MXT/D-2000XL-PAN			
Card Type	Card Unique Identifier (UID)	Card Data	Personal Identity Verification (PIV) Card holder UID
15693	8 byte UID	Not Supported	N/A
14443A Non-Gov't	4, 7 or 10 byte UID (1)	Not Supported	N/A
14443A Gov't	4, 7 or 10 byte UID (1)	Not Supported (2)	Not currently
14443B Non-Gov't	4 byte UID	Not Supported	N/A
14443B Gov't	4 byte UID	Not Supported (2)	Not currently
FeliCa	Not Supported	Not Supported	N/A
(1) The UID can be a fixed unique number or a random number dynamically generated by the card.			
(2) Requires contact card reader (not accessible via NFC)			

- The maximum range for the NFC antenna is 0.5" (12.7mm), but the typical usage range is 0.25" (6.35mm).
- The antenna itself is accessible from the front of the panel, 3.25" (82.55mm) from the left corner of the panel and 0.375" (9.53mm) from the top edge.

When using an NFC device with the X Series G5 panels, align your device's antenna with the center of the touch panel's antenna (FIG. 5):



FIG. 5 NFC antenna location (Tabletop, Landscape and Portrait layouts)

Active Video Windows - Limitations

The following limitations apply to the display of active video windows on X Series G5 panels:

NOTE: The term "Active Video Windows" refers to any "window" on the touch panel (which could be a Page, Popup, Sub-Page or Button) that is displaying active video content.

- Maximum supported number of active video windows displayed simultaneously on the panel: **2**
While this limitation is not enforced (i.e the TPDesign5 application will allow you include any number of video windows in the panel design), attempting to display more than two active video windows at one time may have a negative impact on the panel's overall performance.
- Maximum supported resolution for video windows: **720dpi**
- Maximum supported frame rate for video windows: **30fps**

Cleaning the Touch Overlay and Case

X Series G5 touch panels come with the MXA-CLK Modero X Series Cleaning Kit (**FG5968-16**), which may be used to clean fingerprints and dirt from the device. This kit comes with cleaning cloths and a bottle of cleaning fluid specifically for use with the device.

- When cleaning the device, **do not directly spray the device with cleaning fluid**. Instead, spray the cloth and then apply the cloth to the touch screen.
- Do **NOT** use abrasives of any type to clean the device, as abrasives may permanently damage or remove the device's finish.

Additional Documentation

Refer to the *Modero X Series G5 Touch Panels Configuration and Programming Manual* for details on configuring and programming G5 touch panels, including:

- Information on Modero X Series G5 Programming, including Transitioning from G4 to G5
- Detailed descriptions of each page and page option available in the G5 Settings Menu
- Firmware upgrades via the G5 Settings Menu (Reset and Update page)
- Using Content Sharing
- Using Gestures
- MXA-MP and MXA-MPL Programming
- Detailed descriptions of all G5-supported Send Commands and SSH Commands

NOTE: Refer to the *Modero G5 Configuration and Programming - X Series G5 Touch Panels Instruction Manual* for details.

NOTE: Touch Panel files for G5 Touch Panels are created via *TPDesign5* software (available to download from www.amx.com). Refer to the *TPDesign5* online help and *Instruction Manual* for details.

MXT/D-2001-PAN - 20.3" X Series G5 Panels

MXT-2001-PAN (Tabletop)



FIG. 6 MXT-2001-PAN touch panel

MXT-2001-PAN Specifications

MXT-2001-PAN Specifications	
DIMENSIONS (HWD)	9 3/16" x 20 3/8" x 5 7/8" (235mm x 519mm x 150mm)
WEIGHT	12.3 lbs (5.58 Kg)
POWER CONSUMPTION	<ul style="list-style-type: none"> Full-On: 35 W (13.5V$\overline{=}$, 2.6A) Standby: 7 W (13.5V$\overline{=}$, 0.52A)
EXTERNAL POWER SUPPLY REQUIRED	Requires one of these AMX power sources (not included): <ul style="list-style-type: none"> PSR4.4 Power Supply, 4.5A, 3.5mm Phoenix with Retention Screws (FG423-46) PSN4.4 Power Supply, 4.5A, 3.5mm Phoenix, 13.5V$\overline{=}$ (<i>discontinued</i>) (FG423-45) MXA-MPL Modero X/S Series Multi Preview Live (FG5968-10) MXA-MP Modero X/S Series Multi Preview (FG5968-20)
CERTIFICATIONS	<ul style="list-style-type: none"> FCC Part 15 Class B C-Tick CISPR 22 Class B CE EN 55022 Class B and EN 55024 CB Scheme IEC 60950-1 IC IEC/EN-60950 UL 60950-1 RoHS/WEEE compliant
TOUCH SCREEN DISPLAY	<ul style="list-style-type: none"> Display Type: TFT Active Matrix Color LCD with In-plane Switching Technology (IPS) Display Size (WH): 20.4" x 9.5" (519mm x 242mm), 21.3" (541mm) diagonal Viewable Area (WH): 18.7" x 7.8" (475mm x 198mm), 20.3" (514mm) diagonal Resolution: 1920x800 Aspect Ratio: 12:5 Brightness: 250 cd/m² Contrast Ratio: 1000:1 Color Depth: 16.7M colors Illumination: LED Touch Overlay: Projected capacitive, multi-touch support, 3 simultaneous max
VIEWING ANGLE	<ul style="list-style-type: none"> Vertical: $\pm 89^\circ$ Horizontal: $\pm 89^\circ$
MEMORY	<ul style="list-style-type: none"> SDRAM: 2 GB Flash: 16 GB Maximum Project Size: 12 GB flash, available for apps and touch panel files

MXT-2001-PAN Specifications (Cont.)	
COMMUNICATIONS	<ul style="list-style-type: none"> Ethernet: 10/100 Auto MDI-X port, RJ-45 connector. Supported IP and IP-Based Protocols: UCP, TCP, ICMP, ICSP, IGMP, DHCP, SSH, FTP, DNS, RFB (for VNC), HTTP USB: (3) USB host 2.0, Type A ports: Firmware upgrade, Touch Panel File Transfer, document and image viewing, HID Peripherals Near Field Communication (NFC): Supports standards ISO/IEC 15693, ISO/IEC 14443A, ISO/IEC 14443B; Unique Identifier (UID), typ range=.25", max = .5" Bluetooth: Mouse/Keyboard: HID Profile v1.1, requires MXA-BT Bluetooth Adapter (FG5968-19)
VIDEO	<ul style="list-style-type: none"> Supported Video Codecs: <ul style="list-style-type: none"> MPEG2-TS: MPEG-2 Main Profile @High Level up to 720p at 25 fps (decode only) MPEG-2-TS: H.264 High Profile @Layer 4, AAC-LC up to 720p at 25 fps (encode/decode) MJPEG up to 720p at 25 fps (decode only) Supported Video Transport Streams: MPEG-TS for MPEG-2 and H.264, HTTP for MJPEG Max Number of Active Video Streams: 2 (720dpi/30fps) Video Conferencing: Panel-to-panel and video chat*
AUDIO	<ul style="list-style-type: none"> Microphone: -42 dB ±3 dB sensitivity FET microphone Speakers: 4 ohm, 2 Watt, 300 Hz cutoff frequency Supported Audio Codecs: MP2 Layer I and II, MP3 (8 kHz, 11.025 kHz, 12 kHz, 16 kHz, 22.05 kHz, 24 kHz, 32 kHz, 44.1 kHz, 48 kHz), AAC-LC (8 kHz, 96 kHz), G.711 with µLaw (VoIP* encode/decode at 8 kHz) <ul style="list-style-type: none"> Suggested max packet size for G.711 Voice: 20ms File Formats: WAV, MP3 (as part of touch panel file only - no USB storage) Intercom*: Full Duplex VoIP, SIP v2.0
GRAPHICS ENGINE	<p>AMX G5: G5 enhanced feature set supporting multi-touch and gestures, scrolling, transitions, applications - See TPD5 Operations Guide for more information</p>
EMBEDDED APPLICATIONS	<ul style="list-style-type: none"> Viewer Applications*: PDF, JPEG, BMP, PNG, TIFF, GIF Remote Management: VNC Server Video Conferencing: Skype Audio Conferencing: Audio (Full Duplex Intercom*)
FRONT PANEL COMPONENTS	<ul style="list-style-type: none"> Light Sensor: Photosensitive light detector for automatic adjustment of the panel brightness Proximity Detector: Max range = ~3', typ range = ~1', FOV = ~10 degrees Camera: HD 720p camera for video conferencing/video chat support LED Indicators: Camera active indicator Sleep Button: Sleep button to activate sleep mode and powering off. Also provides access to setup pages (can be disabled)
CONNECTIONS	<ul style="list-style-type: none"> Ethernet: 10/100 port, RJ-45 connector USB: <ul style="list-style-type: none"> (3) USB host 2.0, Type A ports: Firmware upgrade, Touch Panel File Transfer, document and Image viewing (1) Micro-USB device port (currently not in use) Power: 2-pin, locking 3.5mm Phoenix connector
ENVIRONMENTAL	<ul style="list-style-type: none"> Temperature (Operating): 32°F to 104°F (0°C to 40°C) Temperature (Storage): 4°F to 140°F (-20°C to 60°C) Humidity (Operating): 20% to 85% RH Humidity (Storage): 5% to 85% RH Power ("Heat") Dissipation: <ul style="list-style-type: none"> On: 119.4 BTU/hr Standby: 23.9 BTU/hr
INCLUDED ACCESSORIES	<ul style="list-style-type: none"> Locking 2-pin Phoenix mate (41-0002-SA) MXA-USB-C, USB Port Cover Kit, Modero X/S Series Touch Panel (FG5968-18) HPG-10-10K, 3/4" Mini-Grommet (FG570-01) MXA-CLK, Modero X/S Series Cleaning Kit (FG5968-16)
OPTIONAL ACCESSORIES	<ul style="list-style-type: none"> MXA-STMK-20, Secure Table Mount Kit, 20.3" Modero X Tabletop (FG5968-64) PSR4.4 Power Supply, 4.5A, 3.5mm Phoenix with Retention Screws (FG423-46) PSN4.4 Power Supply, 4.5A, 3.5mm Phoenix, 13.5V --- (discontinued) (FG423-45) MXA-MPL Modero X/S Series Multi Preview Live (FG5968-10) MXA-MP Modero X/S Series Multi Preview (FG5968-20) HPG-10-10K, 3/4" Mini-Grommet, 10-Pack (FG570-01-10K) MXA-BT, Bluetooth USB Adapter for Modero X/S Series (FG5968-19) MXA-CLK, Modero X/S Series Cleaning Kit (FG5968-16) MXA-USB-C, USB Port Covers for the Modero X/S Series Touch Panels (FG5968-18)
* This feature will be available upon release of a future firmware update.	

MXD-2001-PAN (Wall-Mount - Landscape/Portrait)

The MXD-2001-PAN is available in Portrait and Landscape layouts:

Portrait	MXD-2001-PAN-P	FG5968-36
Landscape	MXD-2001-PAN-L	FG5968-37



FIG. 7 MXD-2001-PAN-P/L (Portrait and Landscape)

MXD-2001-PAN Specifications

MXD-2001-PAN Specifications	
DIMENSIONS (HWD)	<ul style="list-style-type: none"> Landscape: 9 1/2" x 20 3/8" x 11/16" (242mm x 519mm x 19mm) Portrait: 20 3/8" x 9 1/2" x 11/16" (519mm x 242mm x 19mm)
WEIGHT	9.0 lbs (4.08 Kg)
POWER CONSUMPTION	<ul style="list-style-type: none"> Full-On: 35 W (13.5V$\overline{---}$, 2.6A) Standby: 7 W (13.5V$\overline{---}$, 0.52A)
EXTERNAL POWER SUPPLY REQUIRED	Requires one of these AMX power sources (not included): <ul style="list-style-type: none"> PSR4.4 Power Supply, 4.5A, 3.5mm Phoenix with Retention Screws (FG423-46) PSN4.4 Power Supply, 4.5A, 3.5mm Phoenix, 13.5V$\overline{---}$ (discontinued) (FG423-45) MXA-MPL Modero X/S Series Multi Preview Live (FG5968-10) MXA-MP Modero X/S Series Multi Preview (FG5968-20)
CERTIFICATIONS	<ul style="list-style-type: none"> FCC Part 15 Class B C-Tick CISPR 22 Class B CE EN 55022 Class B and EN 55024 CB Scheme IEC 60950-1 IC IEC/EN-60950 UL 60950-1 RoHS/WEEE compliant

MXD-2001-PAN Specifications (Cont.)	
TOUCH SCREEN DISPLAY	<ul style="list-style-type: none"> • Display Type: TFT Active Matrix Color LCD with In-plane Switching Technology (IPS) • Display Size (WH) Landscape: 20.4" x 9.5" (519mm x 242mm), 21.3" (541mm) diagonal Portrait: 9.5" x 20.4" (242mm x 519mm), 21.3" (541mm) diagonal • Viewable Area (WH) Landscape 18.7" x 7.8" (475mm x 198mm), 20.3" (514mm) diagonal Portrait 7.8" x 18.7" (198mm x 475mm), 20.3" (514mm) diagonal • Resolution Landscape: 1920x800 Portrait: 800x1920 • Aspect Ratio Landscape: 12:5 Portrait: 5:12 • Brightness: 250 cd/m² • Contrast Ratio: 1000:1 • Color Depth: 16.7M colors • Illumination: LED • Touch Overlay: Projected capacitive, multi-touch support, 3 simultaneous max
VIEWING ANGLE	<ul style="list-style-type: none"> • Vertical: ± 89° • Horizontal: ± 89°
MEMORY	<ul style="list-style-type: none"> • SDRAM: 2 GB • Flash: 16 GB • Maximum Project Size: 12 GB flash, available for apps and touch panel files
COMMUNICATIONS	<ul style="list-style-type: none"> • Ethernet: 10/100 Auto MDI-X port, RJ-45 connector. Supported IP and IP-Based Protocols: UCP, TCP, ICMP, ICSP, IGMP, DHCP, SSH, FTP, DNS, RFB (for VNC), HTTP • USB: (2) USB host 2.0, Type A ports (1 with limited physical access requiring right angle connection): Firmware upgrade, Touch Panel File Transfer, document and image viewing, HID Peripherals • Near Field Communication (NFC): Supports standards ISO/IEC 15693, ISO/IEC 14443A, ISO/IEC 14443B; Unique Identifier (UID), typ range=.25", max = .5" • Bluetooth: Mouse/Keyboard: HID Profile v1.1, requires MXA-BT Bluetooth Adapter (FG5968-19)
VIDEO	<ul style="list-style-type: none"> • Supported Video Codecs: MPEG-2-TS: MPEG-2 Main Profile@High Level up to 720p at 25 fps (decode only) MPEG-2-TS: H.264 High Profile@Layer 4, AAC-LC up to 720p at 25 fps (encode/decode) MJPEG up to 720p at 25 fps (decode only) • Supported Video Transport Streams: MPEG-TS for MPEG2 and H.264; HTTP for MJPEG • Max Number of Active Video Streams: 2 (720dpi/30fps) • Video Conferencing: Panel-to-panel and video chat*
AUDIO	<ul style="list-style-type: none"> • Microphone: -42 dB ±3 dB sensitivity FET microphone • Speakers: 4 ohm, 2 Watt, 300 Hz cutoff frequency • Supported Audio Codecs: MP2 Layer I and II, MP3 (8 kHz, 11.025 kHz, 12 kHz, 16 kHz, 22.05 kHz, 24 kHz, 32 kHz, 44.1 kHz, 48 kHz), AAC-LC (8 kHz, 96 kHz), G.711 with μLaw (VoIP* encode/decode at 8 kHz) Suggested max packet size for G.711 Voice: 20ms • File Formats: WAV, MP3 (as part of touch panel file only - no USB storage) • Intercom*: Full Duplex VoIP, SIP v2.0
GRAPHICS ENGINE	AMX G5: G5 enhanced feature set supporting multi-touch and gestures, scrolling, transitions, applications - See TPD5 Operations Guide for more information
EMBEDDED APPLICATIONS	<ul style="list-style-type: none"> • Viewer Applications*: PDF, JPEG, BMP, PNG, TIFF, GIF • Remote Management: VNC Server • Video Conferencing: Skype • Audio Conferencing: Audio (Full Duplex Intercom*)
FRONT PANEL COMPONENTS	<ul style="list-style-type: none"> • Light Sensor: Photosensitive light detector for automatic adjustment of the panel brightness • Proximity Detector: Max range = ~3', typ range = ~1', FOV = ~10 degrees • Camera: HD 720p camera for video conferencing/video chat support • LED Indicators: Camera active indicator • Sleep Button: Sleep button to activate sleep mode and powering off. Also provides access to setup pages (can be disabled)

MXD-2001-PAN Specifications (Cont.)	
CONNECTIONS	<ul style="list-style-type: none"> Ethernet: 10/100 port, RJ-45 connector USB: <ul style="list-style-type: none"> (2) USB host 2.0, Type A ports (1) Micro-USB device port (currently not in use) Power: 2-pin, locking 3.5mm Phoenix connector
ENVIRONMENTAL	<ul style="list-style-type: none"> Temperature (Operating): 32°F to 104°F (0°C to 40°C) Temperature (Storage): 4°F to 140°F (-20°C to 60°C) Humidity (Operating): 20% to 85% RH Humidity (Storage): 5% to 85% RH Power ("Heat") Dissipation: <ul style="list-style-type: none"> On: 119.4 BTU/hr Standby: 23.9 BTU/hr
INCLUDED ACCESSORIES	<ul style="list-style-type: none"> Locking 2-pin Phoenix mate (41-0002-SA) MXA-USB-C, USB Port Cover Kit, Modero X Series Touch Panel (FG5968-18) MXA-CLK, Modero X Series Cleaning Kit (FG5968-16) Installation Template 20.3" (68-5968-01)
OPTIONAL ACCESSORIES	<ul style="list-style-type: none"> MXA-RMK-20 Modero X Series Rack Mount Kit (FG5969-60) MXA-FMK-20 Flush Mount Kit for 20.3" Modero X Series Wall Mount Touch Panels (FG5968-68) PSR4.4 Power Supply, 4.5A, 3.5mm Phoenix with Retention Screws (FG423-46) PSN4.4 Power Supply, 4.5A, 3.5mm Phoenix, 13.5V DC (<i>discontinued</i>) (FG423-45) MXA-MPL Modero X/S Series Multi Preview Live (FG5968-10) MXA-MP Modero X/S Series Multi Preview (FG5968-20) CB-MXP19/20, Rough-In Box (FG039-15) MXA-BT, Bluetooth USB Adapter for Modero X/S Series (FG5968-19) MXA-CLK, Modero X/S Series Cleaning Kit (FG5968-16) MXA-USB-C, USB Port Covers for the Modero X Series Touch Panels (FG5968-18)
* This feature will be available upon release of a future firmware update.	

MXT/D-1901-PAN - 19.4" X Series G5 Panels

MXT-1901-PAN (Tabletop)



FIG. 8 MXT-1901-PAN touch panel

MXT-1901-PAN Specifications

MXT-1901-PAN Specifications	
DIMENSIONS (HWD)	7" x 20 3/8" x 5 5/16" (177mm x 519mm x 135mm)
WEIGHT	9.5 lbs (4.31 Kg)
POWER CONSUMPTION	<ul style="list-style-type: none"> Full-On: 35W (13.5V$\overline{=}$, 2.6A) Standby: 7W (13.5V$\overline{=}$, 0.52A)
EXTERNAL POWER SUPPLY REQUIRED	Requires one of these AMX power sources (not included): <ul style="list-style-type: none"> PSR4.4 Power Supply, 4.5A, 3.5mm Phoenix with Retention Screws (FG423-46) PSN4.4 Power Supply, 4.5A, 3.5mm Phoenix, 13.5V$\overline{=}$ (<i>discontinued</i>) (FG423-45) MXA-MPL Modero X/S Series Multi Preview Live (FG5968-10) MXA-MP Modero X/S Series Multi Preview (FG5968-20)
CERTIFICATIONS	<ul style="list-style-type: none"> FCC Part 15 Class B C-Tick CISPR 22 Class B CE EN 55022 Class B and EN 55024 CB Scheme IEC 60950-1 IC IEC/EN-60950 UL 60950-1 RoHS/WEEE compliant
TOUCH SCREEN DISPLAY	<ul style="list-style-type: none"> Display Type: TFT Active Matrix Color LCD with In-plane Switching Technology (IPS) Display Size (WH): Landscape 20.4" x 6.9" (519mm x 175mm), 20.4" (518mm) diagonal Viewable Area (WH): Landscape 18.7" x 5.9" (475mm x 151mm), 19.4" (493mm) diagonal Resolution: Landscape 1920x530 Aspect Ratio: Landscape 18:5 Brightness: 350 cd/m² Contrast Ratio: 1000:1 Color Depth: 16.7M colors Illumination: LED Touch Overlay: Projected capacitive, multi-touch support, 3 simultaneous max
VIEWING ANGLE	<ul style="list-style-type: none"> Vertical: $\pm 89^\circ$ Horizontal: $\pm 89^\circ$
MEMORY	<ul style="list-style-type: none"> SDRAM: 2 GB Flash: 16 GB Maximum Project Size: 12 GB flash, available for apps and touch panel files

MXT-1901-PAN Specifications (Cont.)	
COMMUNICATIONS	<ul style="list-style-type: none"> Ethernet: 10/100 Auto MDI-X port, RJ-45 connector. Supported IP and IP-Based Protocols: UCP, TCP, ICMP, ICSP, IGMP, DHCP, SSH, FTP, DNS, RFB (for VNC), HTTP USB: USB: (3) USB host 2.0, Type A ports: Firmware upgrade, Touch Panel File Transfer, document and image viewing, HID Peripherals Near Field Communication (NFC): Supports standards ISO/IEC 15693, ISO/IEC 14443A, ISO/IEC 14443B; Unique Identifier (UID), typ range=.25", max = .5" Bluetooth: Mouse/Keyboard: HID Profile v1.1, requires MXA-BT Bluetooth Adapter (FG5968-19)
VIDEO	<ul style="list-style-type: none"> Supported Video Codecs: <ul style="list-style-type: none"> MPEG2-TS: MPEG-2 Main Profile @High Level up to 720p at 25 fps (decode only) MPEG-2-TS: H.264 High Profile @Layer 4, AAC-LC up to 720p at 25 fps (encode/decode) MJPEG up to 720p at 25 fps (decode only) Supported Video Transport Streams: MPEG-TS for MPEG-2 and H.264, HTTP for MJPEG Max Number of Active Video Streams: 2 (720dpi/30fps) Video Conferencing: Panel-to-panel and video chat*
AUDIO	<ul style="list-style-type: none"> Microphone: -42 dB ±3 dB sensitivity FET microphone Speakers: 4 ohm, 2 Watt, 300 Hz cutoff frequency Supported Audio Codecs: MP2 Layer I and II, MP3 (8 kHz, 11.025 kHz, 12 kHz, 16 kHz, 22.05 kHz, 24 kHz, 32 kHz, 44.1 kHz, 48 kHz), AAC-LC (8 kHz, 96 kHz), G.711 with µLaw (VoIP* encode/decode at 8 kHz) <ul style="list-style-type: none"> Suggested max packet size for G.711 Voice: 20ms File Formats: WAV, MP3 (as part of touch panel file only - no USB storage) Intercom*: Full Duplex VoIP, SIP v2.0
GRAPHICS ENGINE	<p>AMX G5: G5 enhanced feature set supporting multi-touch and gestures, scrolling, transitions, applications - See TPD5 Operations Guide for more information</p>
EMBEDDED APPLICATIONS	<ul style="list-style-type: none"> Viewer Applications*: PDF, JPEG, BMP, PNG, TIFF, GIF Remote Management: VNC Server Video Conferencing: Skype Conferencing: Audio (Full Duplex Intercom*)
FRONT PANEL COMPONENTS	<ul style="list-style-type: none"> Light Sensor: Photosensitive light detector for automatic adjustment of the panel brightness Proximity Detector: Max range = ~3', typ range = ~1', FOV = ~10 degrees Camera: HD 720p camera for video conferencing/video chat support LED Indicators: Camera active indicator Sleep Button: Sleep button to activate sleep mode and powering off. Also provides access to setup pages (can be disabled)
CONNECTIONS	<ul style="list-style-type: none"> Ethernet: 10/100 port, RJ-45 connector USB: <ul style="list-style-type: none"> (3) USB host 2.0, Type A ports (1) Micro-USB device port (currently not in use) Power: 2-pin, locking 3.5mm Phoenix connector
ENVIRONMENTAL	<ul style="list-style-type: none"> Temperature (Operating): 32°F to 104°F (0°C to 40°C) Temperature (Storage): 4°F to 140°F (-20°C to 60°C) Humidity (Operating): 20% to 85% RH Humidity (Storage): 5% to 85% RH Power ("Heat") Dissipation: <ul style="list-style-type: none"> On: 119.4 BTU/hr Standby: 23.9 BTU/hr
INCLUDED ACCESSORIES	<ul style="list-style-type: none"> Locking 2-pin Phoenix mate (41-0002-SA) MXA-USB-C, USB Port Cover Kit, Modero X/S Series Touch Panel (FG5968-18) HPG-10-10K, 3/4" Mini-Grommet (FG570-01) MXA-CLK, Modero X/S Series Cleaning Kit (FG5968-16)
OPTIONAL ACCESSORIES	<ul style="list-style-type: none"> MXA-STMK-19, Secure Table Mount Kit, 19.4" Modero X Tabletop (FG5968-65) PSR4.4 Power Supply, 4.5A, 3.5mm Phoenix with Retention Screws (FG423-46) PSN4.4 Power Supply, 4.5A, 3.5mm Phoenix, 13.5V --- (discontinued) (FG423-45) MXA-MPL Modero X/S Series Multi Preview Live (FG5968-10) MXA-MP Modero X/S Series Multi Preview (FG5968-20) HPG-10-10K, 3/4" Mini-Grommet, 10-Pack (FG570-01-10K) MXA-BT, Bluetooth USB Adapter for Modero X/S Series (FG5968-19) MXA-CLK, Modero X/S Series Cleaning Kit (FG5968-16) MXA-USB-C, USB Port Covers for the Modero X/S Series Touch Panels (FG5968-18)
* This feature will be available upon release of a future firmware update.	

MXD-1901-PAN (Wall-Mount - Landscape/Portrait)

The MXD-1901-PAN is available in Portrait and Landscape layouts:

Portrait	MXD-1901-PAN-P	FG5968-42
Landscape	MXD-1901-PAN-L	FG5968-43



FIG. 9 MXD-1901-PAN (Portrait and Landscape)

MXD-1901-PAN Specifications

MXD-1901-PAN Specifications	
DIMENSIONS (HWD)	<ul style="list-style-type: none"> Landscape: 6 7/8" x 20 3/8" x 11/16" (175mm x 519mm x 19mm) Portrait: 20 3/8" x 6 7/8" x 11/16" (519mm x 175mm x 19mm)
WEIGHT	6.9 lbs (3.13 Kg)
POWER CONSUMPTION	<ul style="list-style-type: none"> Full-On: 35 W (13.5V$\overline{=}$, 2.6A) Standby: 7 W (13.5V$\overline{=}$, 0.52A)
EXTERNAL POWER SUPPLY REQUIRED	Requires one of these AMX power sources (not included): <ul style="list-style-type: none"> PSR4.4 Power Supply, 4.5A, 3.5mm Phoenix with Retention Screws (FG423-46) PSN4.4 Power Supply, 4.5A, 3.5mm Phoenix, 13.5V$\overline{=}$ (<i>discontinued</i>) (FG423-45) MXA-MPL Modero X/S Series Multi Preview Live (FG5968-10) MXA-MP Modero X/S Series Multi Preview (FG5968-20)
CERTIFICATIONS	<ul style="list-style-type: none"> FCC Part 15 Class B C-Tick CISPR 22 Class B CE EN 55022 Class B and EN 55024 CB Scheme IEC 60950-1 IC IEC/EN-60950 UL 60950-1 RoHS/WEEE compliant

MXD-1901-PAN Specifications (Cont.)	
TOUCH SCREEN DISPLAY	<ul style="list-style-type: none"> • Display Type: TFT Active Matrix Color LCD with In-plane Switching Technology (IPS) • Display Size (WH) Landscape: 20.4" x 6.9" (519mm x 175mm), 20.4" (518mm) diagonal Portrait: 6.9" x 20.4" (175mm x 519mm), 20.4" (518mm) diagonal • Viewable Area (WH) Landscape: 18.7" x 5.9" (475mm x 151mm), 19.4" (493mm) diagonal Portrait: 5.9" x 18.7" (151mm x 475mm), 19.4" (493mm) diagonal • Resolution Landscape: 1920x530 Portrait: 530x1920 • Aspect Ratio Landscape: 18:5 Portrait: 5:18 • Brightness: 350 cd/m² • Contrast Ratio: 1000:1 • Color Depth: 16.7M colors • Illumination: LED • Touch Overlay: Projected capacitive, multi-touch support, 3 simultaneous max
VIEWING ANGLE	<ul style="list-style-type: none"> • Vertical: ± 89° • Horizontal: ± 89°
MEMORY	<ul style="list-style-type: none"> • SDRAM: 2 GB • Flash: 16 GB • Maximum Project Size: 12 GB flash, available for apps and touch panel files
COMMUNICATIONS	<ul style="list-style-type: none"> • Ethernet: 10/100 Auto MDI-X port, RJ-45 connector. Supported IP and IP-Based Protocols: UCP, TCP, ICMP, ICSP, IGMP, DHCP, SSH, FTP, DNS, RFB (for VNC), HTTP • USB: (2) USB host 2.0, Type A ports (1 with limited physical access requiring right angle connection): Firmware upgrade, Touch Panel File Transfer, document and image viewing, HID Peripherals • Near Field Communication (NFC): Supports standards ISO/IEC 15693, ISO/IEC 14443A, ISO/IEC 14443B; Unique Identifier (UID), typ range=.25", max = .5" • Bluetooth: Mouse/Keyboard: HID Profile v1.1, requires MXA-BT Bluetooth Adapter (FG5968-19)
VIDEO	<ul style="list-style-type: none"> • Supported Video Codecs: MPEG-2-TS: MPEG-2 Main Profile@High Level up to 720p at 25 fps (decode only) MPEG-2-TS: H.264 High Profile@Layer 4, AAC-LC up to 720p at 25 fps (encode/decode) MJPEG up to 720p at 25 fps (decode only) • Supported Video Transport Streams: MPEG-TS for MPEG2 and H.264; HTTP for MJPEG • Max Number of Active Video Streams: 2 (720dpi/30fps) • Video Conferencing: Panel-to-panel and video chat* • Video Output: Camera video output: H.264, up to 720p@25 fps via Micro-USB port only (controlled by host device)
AUDIO	<ul style="list-style-type: none"> • Microphone: -42 dB ±3 dB sensitivity FET microphone • Speakers: 4 ohm, 2 Watt, 300 Hz cutoff frequency • Supported Audio Codecs: MP2 Layer I and II, MP3 (8 kHz, 11.025 kHz, 12 kHz, 16 kHz, 22.05 kHz, 24 kHz, 32 kHz, 44.1 kHz, 48 kHz), AAC-LC (8 kHz, 96 kHz), G.711 with µLaw (VoIP* encode/decode at 8 kHz) Suggested max packet size for G.711 Voice: 20ms • File Formats: WAV, MP3 (as part of touch panel file only - no USB storage) • Intercom*: Full Duplex VoIP, SIP v2.0
GRAPHICS ENGINE	AMX G5: G5 enhanced feature set supporting multi-touch and gestures, scrolling, transitions, applications - See TPD5 Operations Guide for more information
EMBEDDED APPLICATIONS	<ul style="list-style-type: none"> • Applications*: PDF, JPEG, BMP, PNG, TIFF, GIF • Remote Management: VNC Server • Video Conferencing: Skype • Audio Conferencing: Audio (Full Duplex Intercom*)
FRONT PANEL COMPONENTS	<ul style="list-style-type: none"> • Light Sensor: Photosensitive light detector for automatic adjustment of the panel brightness • Proximity Detector: Max range = ~3', typ range = ~1', FOV = ~10 degrees • Camera, Landscape Model Only (FG5968-43): HD 720p camera for video conferencing/video chat support • LED Indicators: Camera active indicator (models with camera only) • Sleep Button: Sleep button to activate sleep mode and powering off. Also provides access to setup pages (can be disabled)

MXD-1901-PAN Specifications (Cont.)	
CONNECTIONS	<ul style="list-style-type: none"> • Ethernet: 10/100 port, RJ-45 connector • USB: <ul style="list-style-type: none"> (2) USB host 2.0, Type A ports (1) Micro-USB device port (currently not in use) • Power: 2-pin, locking 3.5mm Phoenix connector
ENVIRONMENTAL	<ul style="list-style-type: none"> • Temperature (Operating): 32°F to 104°F (0°C to 40°C) • Temperature (Storage): 4°F to 140°F (-20°C to 60°C) • Humidity (Operating): 20% to 85% RH • Humidity (Storage): 5% to 85% RH • Power ("Heat") Dissipation: <ul style="list-style-type: none"> On: 119.4 BTU/hr Standby: 23.9 BTU/hr
INCLUDED ACCESSORIES	<ul style="list-style-type: none"> • Locking 2-pin Phoenix mate (41-0002-SA) • MXA-USB-C, USB Port Cover Kit, Modero X Series Touch Panel (FG5968-18) • MXA-CLK, Modero X Series Cleaning Kit (FG5968-16) • Installation Template 19.4" (68-5968-02)
OPTIONAL ACCESSORIES	<ul style="list-style-type: none"> • MXA-FMK-19 Flush Mount Kit, 19.4" Modero X Wall Mount (FG5968-69) • MXA-RMK-19 Modero X Series Rack Mount Kit (FG5969-61) • PSR4.4 Power Supply, 4.5A, 3.5mm Phoenix with Retention Screws (FG423-46) • PSN4.4 Power Supply, 4.5A, 3.5mm Phoenix, 13.5V --- (<i>discontinued</i>) (FG423-45) • MXA-MPL Modero X/S Series Multi Preview Live (FG5968-10) • MXA-MP Modero X/S Series Multi Preview (FG5968-20) • CB-MXP19/20, Rough-In Box (FG039-15) • MXA-BT, Bluetooth USB Adapter for Modero X/S Series (FG5968-19) • MXA-CLK, Modero X/S Series Cleaning Kit (FG5968-16) • MXA-USB-C, USB Port Covers for the Modero X Series Touch Panels (FG5968-18)
* This feature will be available upon release of a future firmware update.	

MXT/D-1001 - 10.1" X Series G5 Panels

MXT-1001 (Tabletop)



FIG. 10 MXT-1001 Touch Panel

MXT-1001 Specifications

MXT-1001 Specifications	
DIMENSIONS (HWD)	6 7/8" x 9 7/8" x 4 7/8" (174mm x 252mm x 124mm)
WEIGHT	3.1 lbs (1.41 Kg)
POWER CONSUMPTION	<ul style="list-style-type: none"> • Full-On: 12.95W maximum • Standby: 5.8W • Shutdown: 1W • Start-Up Inrush Current: Not applicable due to PoE standard
EXTERNAL POWER SUPPLY REQUIRED	Optimal performance requires use of one of the following AMX PoE power supplies (not included): <ul style="list-style-type: none"> • PS-POE-AF-TC, PoE Injector, 802.3AF Compliant (FG423-83) • NXA-ENET8-2POE, Gigabit PoE Ethernet Switch (FG2178-63)
CERTIFICATIONS	<ul style="list-style-type: none"> • UL 60950-1 • FCC Part 15 Class B • C-Tick CISPR 22 Class B • CE EN 55022 Class B and EN 55024 • CB Scheme IEC 60950-1 • IC • IEC/EN-60950 • RoHS/WEEE compliant
TOUCH SCREEN DISPLAY	<ul style="list-style-type: none"> • Display Type: TFT Active Matrix Color LCD with In-plane Switching Technology (IPS) • Display Size (WH): 9.9" x 6.7" (252mm x 170mm), 12.0" (304mm) diagonal • Viewable Area (WH): 8.5" x 5.3" (217mm x 136mm), 10.1" (257mm) diagonal • Resolution (WH): 1280x800 • Aspect Ratio (WH): 16:9 • Brightness: 400 cd/m² • Contrast Ratio: 700:1 • Color Depth: 16.7M colors • Illumination: LED • Touch Overlay: Projected capacitive, multi-touch support, 3 simultaneous max
VIEWING ANGLE	<ul style="list-style-type: none"> • Vertical: ± 89° • Horizontal: ± 89°
MEMORY	<ul style="list-style-type: none"> • SDRAM: 2 GB • Flash: 16 GB • Maximum Project Size: 12 GB flash, available for apps and touch panel files

MXT-1001 Specifications (Cont.)	
COMMUNICATIONS	<ul style="list-style-type: none"> Ethernet: 10/100 Auto MDI-X port, RJ-45 connector. Supported IP and IP-Based Protocols: UCP, TCP, ICMP, ICSP, IGMP, DHCP, SSH, FTP, DNS, RFB (for VNC), HTTP USB: (2) USB host 2.0, Type A ports (1 with limited physical access requiring right angle connection): Firmware upgrade, Touch Panel File Transfer, document and image viewing, HID Peripherals Near Field Communication (NFC): Supports standards ISO/IEC 15693, ISO/IEC 14443A, ISO/IEC 14443B; Unique Identifier (UID), typ range=.25", max = .5" Bluetooth*: <ul style="list-style-type: none"> Mouse/Keyboard: HID Profile v1.1, requires MXA-BT Bluetooth Adapter (FG5968-19) Handset: Hands Free Profile v1.5, Headset Profile v1.2, requires MXA-BT Bluetooth Adapter (FG5968-19) and MXA-HST Bluetooth Handset (FG5968-17)
VIDEO	<ul style="list-style-type: none"> Supported Video Codecs: <ul style="list-style-type: none"> MPEG2-TS: MPEG-2 Main Profile @High Level up to 720p at 25 fps (decode only) MPEG-2-TS: H.264 High Profile @Layer 4, AAC-LC up to 720p at 25 fps (encode/decode) MJPEG up to 720p at 25 fps (decode only) Supported Video Transport Streams: MPEG-TS for MPEG-2 and H.264, HTTP for MJPEG Max Number of Active Video Streams: 2 (720dpi/30fps) Video Conferencing: Panel-to-panel and video chat*
AUDIO	<ul style="list-style-type: none"> Microphone: -42 dB \pm 3 dB sensitivity FET microphone Speakers: 4 ohm, 2 Watt, 300 Hz cutoff frequency Supported Audio Codecs: MP2 Layer I and II, MP3 (8 kHz, 11.025 kHz, 12 kHz, 16 kHz, 22.05 kHz, 24 kHz, 32 kHz, 44.1 kHz, 48 kHz), AAC-LC (8 kHz, 96 kHz), G.711 with μLaw (VoIP* encode/decode at 8 kHz) Suggested max packet size for G.711 Voice: 20ms File Formats: WAV, MP3 (as part of touch panel file only - no USB storage) Intercom*: Full Duplex VoIP, SIP v2.0
GRAPHICS ENGINE	AMX G5: G5 enhanced feature set supporting multi-touch and gestures, scrolling, transitions, applications - See TPD5 Operations Guide for more information
EMBEDDED APPLICATIONS	<ul style="list-style-type: none"> Viewer Applications*: PDF, JPEG, BMP, PNG, TIFF, GIF Remote Management: VNC Server Video Conferencing: Skype Audio Conferencing: Audio (Full Duplex Intercom*)
FRONT PANEL COMPONENTS	<ul style="list-style-type: none"> Light Sensor: Photosensitive light detector for automatic adjustment of the panel brightness Proximity Detector: Max range = ~3', typ range = ~1', FOV = ~10 degrees Camera: HD 720p camera for video conferencing/video chat support LED Indicators: Camera active indicator Sleep Button: Sleep button to activate sleep mode and powering off. Also provides access to setup pages (can be disabled)
CONNECTIONS	<ul style="list-style-type: none"> Ethernet: 10/100 port, RJ-45 connector through cable extension USB: <ul style="list-style-type: none"> (2) USB host 2.0, Type A ports (1) Micro-USB device port (currently not in use) Power: PoE (Power over Ethernet), 802.3af, class 3
ENVIRONMENTAL	<ul style="list-style-type: none"> Temperature (Operating): 32°F to 104°F (0°C to 40°C) Temperature (Storage): 4°F to 140°F (-20°C to 60°C) Humidity (Operating): 20% to 85% RH Humidity (Storage): 5% to 85% RH Power ("Heat") Dissipation: <ul style="list-style-type: none"> On: 44.2 BTU/hr Standby: 19.8 BTU/hr
INCLUDED ACCESSORIES	<ul style="list-style-type: none"> MXA-USB-C, USB Port Cover Kit, Modero X/S Series Touch Panel (FG5968-18) 3/4" Mini-Grommet (FG570-01) MXA-CLK, Modero X/S Series Cleaning Kit (FG5968-16)
OPTIONAL ACCESSORIES	<ul style="list-style-type: none"> MXA-STMK-10, Secure Table Mount Kit, 10.1" Modero X Tabletop (FG5968-66) MXA-MP, Modero X/S Series Multi Preview (FG5968-20) MXA-MPL, Modero X/S Series Multi Preview Live (FG5968-10) PS-POE-AF-TC, PoE Injector, 802.3AF Compliant (FG423-83) HPG-10-10K, 3/4" Mini-Grommet, 10-Pack (FG570-01-10K) MXA-BT Bluetooth USB Adapter for Modero X/S Series (FG5968-19) MXA-CLK, Modero X/S Series Cleaning Kit (FG5968-16) NXA-ENET8-2POE, Gigabit PoE Ethernet Switch (FG2178-63) MXA-USB-C, USB Port Covers for the Modero X Series Touch Panels (FG5968-18) MXA-HST, Bluetooth Handset for Modero X/S Series Touch Panels (FG5968-17)
*This feature will be available upon release of a future firmware update.	

Touch Panel Aspect Ratio

While the touch panel screen physical dimensions fall between 16:9 and 16:10, any incoming video stream can be scaled to 16:9 if needed. This may lead to some letter boxing around the video in some cases.

MXD-1001 (Wall-Mount - Landscape/Portrait)

The MXD-1001 is available in Portrait and Landscape layouts:

Portrait	MXD-1001-P	FG5968-48
Landscape	MXD-1001-L	FG5968-49

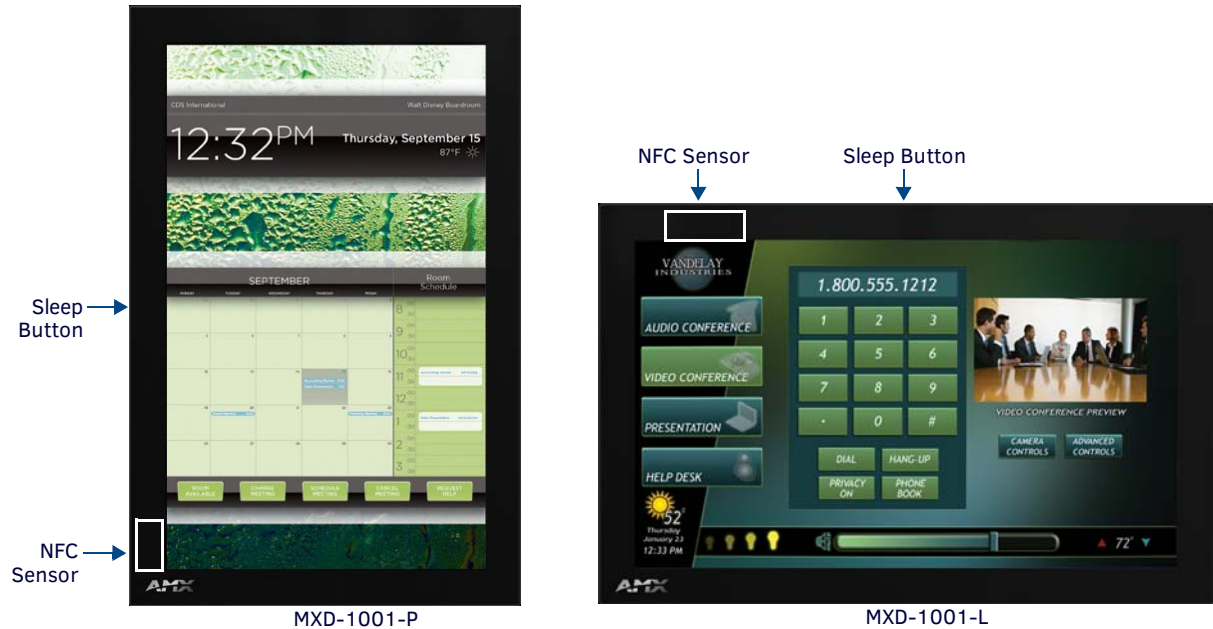


FIG. 11 MXD-1001 Wall Mount (Portrait and Landscape)

MXD-1001 Specifications

MXD-1001 Specifications	
DIMENSIONS (HWD)	<ul style="list-style-type: none"> Landscape: 6 11/16" x 9 7/8" x 2 5/8" (171mm x 252mm x 67mm) Portrait: 9 7/8" x 6 11/16" x 2 5/8" (252mm x 171mm x 67mm)
WEIGHT	2.0 lbs (0.91 Kg)
POWER CONSUMPTION	<ul style="list-style-type: none"> Full-On: 12.95W maximum Standby: 5.8W Shutdown: 1W Start-Up Inrush Current: Not applicable due to PoE standard
EXTERNAL POWER SUPPLY REQUIRED	Optimal performance requires use of one of the following AMX PoE power supplies (not included): <ul style="list-style-type: none"> PS-POE-AF-TC, PoE Injector, 802.3AF Compliant (FG423-83) NXA-ENET8-2POE, Gigabit PoE Ethernet Switch (FG2178-63)
CERTIFICATIONS	<ul style="list-style-type: none"> FCC Part 15 Class B C-Tick CISPR 22 Class B CE EN 55022 Class B and EN 55024 CB Scheme IEC 60950-1 IC IEC/EN-60950 UL 60950-1 RoHS/WEEE compliant

MXD-1001 Specifications (Cont.)	
TOUCH SCREEN DISPLAY	<ul style="list-style-type: none"> • Display Type: TFT Active Matrix Color LCD with In-plane Switching Technology (IPS) • Display Size (WH) Landscape: 9.9" x 6.7" (252mm x 170mm), 12.0" (304mm) diagonal Portrait: 6.7" x 9.9" (170mm x 252mm), 12.0" (304mm) diagonal • Viewable Area (WH) Landscape: 8.5" x 5.3" (217mm x 136mm), 10.1" (257mm) diagonal Portrait: 5.3" x 8.5" (136mm x 217mm), 10.1" (257mm) diagonal • Resolution Landscape: 1280x800 Portrait: 800x1280 • Aspect Ratio Landscape: 16:9 Portrait: 9:16 • Brightness: 400 cd/m² • Contrast Ratio: 700:1 • Color Depth: 16.7M colors • Illumination: LED • Touch Overlay: Projected capacitive, multi-touch support, 3 simultaneous max
VIEWING ANGLE	<ul style="list-style-type: none"> • Vertical: $\pm 89^\circ$ • Horizontal: $\pm 89^\circ$
MEMORY	<ul style="list-style-type: none"> • SDRAM: 2 GB • Flash: 16 GB • Maximum Project Size: 12 GB flash, available for apps and touch panel files
COMMUNICATIONS	<ul style="list-style-type: none"> • Ethernet: 10/100 Auto MDI-X port, RJ-45 connector. Supported IP and IP-Based Protocols: UCP, TCP, ICMP, ICSP, IGMP, DHCP, SSH, FTP, DNS, RFB (for VNC), HTTP • USB: (2) USB host 2.0, Type A ports (1 with limited physical access requiring right angle connection): Firmware upgrade, Touch Panel File Transfer, document and image viewing, HID Peripherals • Near Field Communication (NFC): Supports standards ISO/IEC 15693, ISO/IEC 14443A, ISO/IEC 14443B; Unique Identifier (UID), typ range=.25", max = .5" • Bluetooth*: Mouse/Keyboard: HID Profile v1.1, requires MXA-BT Bluetooth Adapter (FG5968-19) Handset: Hands Free Profile v1.5, Headset Profile v1.2, requires MXA-BT Bluetooth Adapter (FG5968-19) and MXA-HST Bluetooth Handset (FG5968-17)
VIDEO	<ul style="list-style-type: none"> • Supported Video Codecs: MPEG-2-TS: MPEG-2 Main Profile@High Level up to 720p at 25 fps (decode only) MPEG-2-TS: H.264 High Profile@Layer 4, AAC-LC up to 720p at 25 fps (encode/decode) MJPEG up to 720p at 25 fps (decode only) • Supported Video Transport Streams: MPEG-TS for MPEG2 and H.264; HTTP for MJPEG • Max Number of Active Video Streams: 2 (720dpi/30fps) • Video Conferencing: Panel-to-panel and video chat*
AUDIO	<ul style="list-style-type: none"> • Microphone: -42 dB \pm 3 dB sensitivity FET microphone • Speakers: 4 ohm, 2 Watt, 300 Hz cutoff frequency • Supported Audio Codecs: MP2 Layer I and II, MP3 (8 kHz, 11.025 kHz, 12 kHz, 16 kHz, 22.05 kHz, 24 kHz, 32 kHz, 44.1 kHz, 48 kHz), AAC-LC (8 kHz, 96 kHz), G.711 with μLaw (VoIP* encode/decode at 8 kHz) Suggested max packet size for G.711 Voice: 20ms • File Formats: WAV, MP3 (as part of touch panel file only - no USB storage) • Intercom*: Full Duplex VoIP, SIP v2.0
GRAPHICS ENGINE	AMX G5: G5 enhanced feature set supporting multi-touch and gestures, scrolling, transitions, applications - See TPD5 Operations Guide for more information
EMBEDDED APPLICATIONS	<ul style="list-style-type: none"> • Viewer Applications*: PDF, JPEG, BMP, PNG, TIFF, GIF • Remote Management: VNC Server • Video Conferencing: Skype • Audio Conferencing: Audio (Full Duplex Intercom*)
FRONT PANEL COMPONENTS	<ul style="list-style-type: none"> • Light Sensor: Photosensitive light detector for automatic adjustment of the panel brightness • Proximity Detector: Max range = \sim3', typ range = \sim1', FOV = \sim10 degrees • Camera: HD 720p camera for video conferencing/video chat support • LED: Camera active indicator • Sleep Button: Sleep button to activate sleep mode and powering off. Also provides access to setup pages (can be disabled)

MXD-1001 Specifications (Cont.)	
CONNECTIONS	<ul style="list-style-type: none"> Ethernet: 10/100 port, RJ-45 connector through cable extension USB: <ul style="list-style-type: none"> (2) USB host 2.0, Type A ports (1) Micro-USB device port (currently not in use) Power: PoE (Power over Ethernet), 802.3af, class 3
ENVIRONMENTAL	<ul style="list-style-type: none"> Temperature (Operating): 32°F to 104°F (0°C to 40°C) Temperature (Storage): 4°F to 140°F (-20°C to 60°C) Humidity (Operating): 20% to 85% RH Humidity (Storage): 5% to 85% RH Power ("Heat") Dissipation: <ul style="list-style-type: none"> On: 44.2 BTU/hr Standby: 19.8 BTU/hr
INCLUDED ACCESSORIES	<ul style="list-style-type: none"> MXA-USB-C, USB Port Cover Kit, Modero X Series Touch Panel (FG5968-18) MXA-CLK, Modero X/S Series Cleaning Kit (FG5968-16) Installation Template, 10" Modero X Series (68-5968-03)
OPTIONAL ACCESSORIES	<ul style="list-style-type: none"> MXA-FMK-10, Flush Mount Kit, 10" Modero X Wall Mount (FG5969-62) MXA-RMK-10, Modero X Series Rack Mount Kit (FG5969-62) MXA-MP, Modero X/S Series Multi Preview (FG5968-20) MXA-MPL, Modero X/S Series Multi Preview Live (FG5968-10) PS-POE-AF-TC, PoE Injector, 802.3AF Compliant (FG423-83) CB-MXP10, Rough-In Box (FG039-17) CB-MXP10-F Flush Mount Rough-In Box and Cover Plate, for use with MXA-FMK-10 Flush Mount Kit for 10.1" Modero X Wall Mount Touch Panels (FG5968-84) MXA-BT Bluetooth USB Adapter for Modero X/S Series (FG5968-19) MXA-CLK, Modero X/S Series Cleaning Kit (FG5968-16) NXA-ENET8-2POE, Gigabit PoE Ethernet Switch (FG2178-63) MXA-USB-C, USB Port Cover Kit, Modero X Series Touch Panel (FG5968-18) MXA-HST, Bluetooth Handset for Modero X Series Touch Panels (FG5968-17)
* This feature will be available upon release of a future firmware update.	

Touch Panel Aspect Ratio

While the touch panel screen physical dimensions fall between 16:9 and 16:10, any incoming video stream can be scaled to 16:9 if needed. This may lead to some letter boxing around the video in some cases.

MXT/D-701 - 7" X Series G5 Panels

MXT-701 (Tabletop)



FIG. 12 MXT-701 touch panel

MXT-701 Specifications

MXT-701 Specifications	
DIMENSIONS (HWD)	5" x 7 5/16" x 4 1/8" (126mm x 187mm x 105mm)
WEIGHT	1.9 lbs (0.86 Kg)
POWER CONSUMPTION	<ul style="list-style-type: none"> • Full-On: 11.5W maximum • Standby: 5.8W • Shutdown: 1W • Start-Up Inrush Current: Not applicable due to PoE standard
EXTERNAL POWER SUPPLY REQUIRED:	Optimal performance requires use of one of the following AMX PoE power supplies (not included): <ul style="list-style-type: none"> • PS-POE-AF-TC, PoE Injector, 802.3AF Compliant (FG423-83) • NXA-ENET8-2POE, Gigabit PoE Ethernet Switch (FG2178-63)
CERTIFICATIONS	<ul style="list-style-type: none"> • FCC Part 15 Class B • C-Tick CISPR 22 Class B • CE EN 55022 Class B and EN 55024 • CB Scheme IEC 60950-1 • IC • IEC/EN-60950 • UL 60950-1 • RoHS/WEEE compliant
TOUCH SCREEN DISPLAY	<ul style="list-style-type: none"> • Display Type: TFT Active Matrix Color LCD with Fringe Field Switching (FFS) - Wide Viewing Angle Technology • Display Size (WH): Landscape: 7.3" x 4.8" (186mm x 122mm), 8.8" (222mm) diagonal • Viewable Area (WH): Landscape: 6.05" x 3.54" (154mm x 90mm), 7.0" (178mm) diagonal • Resolution (WH): Landscape: 1024x600 • Aspect Ratio (WH): Landscape: 16:9 • Brightness: 400 cd/m² • Contrast Ratio: 800:1 • Color Depth: 16.7M colors • Illumination: LED • Touch Overlay: Projected capacitive, multi-touch support, 3 simultaneous max
VIEWING ANGLE	<ul style="list-style-type: none"> • Vertical: ± 89° • Horizontal: ± 89°
MEMORY	<ul style="list-style-type: none"> • SDRAM: 2 MB • Flash: 16 GB • Maximum Project Size: 12 GB flash, available for apps and touch panel files

MXT-701 Specifications (Cont.)	
COMMUNICATIONS	<ul style="list-style-type: none"> Ethernet: 10/100 Auto MDI-X port, RJ-45 connector. Supported IP and IP-Based Protocols: UCP, TCP, ICMP, ICSP, IGMP, DHCP, SSH, FTP, DNS, RFB (for VNC), HTTP USB: (2) USB host 2.0, Type A ports (1 with limited physical access requiring right angle connection): Firmware upgrade, Touch Panel File Transfer, document and image viewing, HID Peripherals Near Field Communication (NFC): Supports standards ISO/IEC 15693, ISO/IEC 14443A, ISO/IEC 14443B; Unique Identifier (UID), typ range=.25", max = .5" Bluetooth* <ul style="list-style-type: none"> Mouse/Keyboard: HID Profile v1.1, requires MXA-BT Bluetooth Adapter (FG5968-19) Handset: Hands Free Profile v1.5, Headset Profile v1.2, requires MXA-BT Bluetooth Adapter (FG5968-19) and MXA-HST Bluetooth Handset (FG5968-17)
VIDEO	<ul style="list-style-type: none"> Supported Video Codecs: <ul style="list-style-type: none"> MPEG2-TS: MPEG-2 Main Profile@High Level up to 720p at 25 fps (decode only) MPEG-2-TS: H.264 High Profile@Layer 4, AAC-LC up to 720p at 25 fps (decode) MJPEG up to 720p at 25 fps (decode only) Supported Video Transport Streams: MPEG-TS for MPEG2 and H.264; HTTP for MJPEG Max Number of Active Video Streams: 2 (720dpi/30fps)
AUDIO	<ul style="list-style-type: none"> Microphone: -42 dB \pm3 dB sensitivity FET microphone Speakers: 4 ohm, 2 Watt, 300 Hz cutoff frequency Supported Audio Codecs: MP2 Layer I and II, MP3 (8 kHz, 11.025 kHz, 12 kHz, 16 kHz, 22.05 kHz, 24 kHz, 32 kHz, 44.1 kHz, 48 kHz), AAC-LC (8 kHz, 96 kHz), G.711 with μLaw (VoIP* encode/decode at 8 kHz) <ul style="list-style-type: none"> Suggested max packet size for G.711 Voice: 20ms File Formats: WAV, MP3 (as part of touch panel file only - no USB storage) Intercom*: Full Duplex VoIP, SIP v2.0
GRAPHICS ENGINE	AMX G5: G5 enhanced feature set supporting multi-touch and gestures, scrolling, transitions, applications - See TPD5 Operations Guide for more information
EMBEDDED APPLICATIONS	<ul style="list-style-type: none"> Viewer Applications*: PDF, JPEG, BMP, PNG, TIFF, GIF Remote Management: VNC Server Video Conferencing: Skype, the MXT-701 receives audio/video and returns audio Audio Conferencing: Audio (Full Duplex Intercom*)
FRONT PANEL COMPONENTS	<ul style="list-style-type: none"> Light Sensor: Photosensitive light detector for automatic adjustment of the panel brightness Proximity Detector: Max range = ~3', typ range = ~1', FOV = ~10 degrees Sleep Button: Sleep button to activate sleep mode and powering off. Also provides access to setup pages (can be disabled)
CONNECTIONS	<ul style="list-style-type: none"> Ethernet: 10/100 port, RJ-45 connector through cable extension USB: (2) USB host 2.0, Type A ports Power: PoE (Power over Ethernet), 802.3af, class 3
ENVIRONMENTAL	<ul style="list-style-type: none"> Temperature (Operating): 32° F to 104° F (0° C to 40° C) Temperature (Storage): 4° F to 140° F (-20° C to 60° C) Humidity (Operating): 20% to 85% RH Humidity (Storage): 5% to 85% RH Power ("Heat") Dissipation: <ul style="list-style-type: none"> On: 39.2 BTU/hr Standby: 19.8 BTU/hr
INCLUDED ACCESSORIES	<ul style="list-style-type: none"> MXA-USB-C, USB Port Cover Kit, Modero X/S Series Touch Panel (FG5968-18) 3/4" Mini-Grommet (FG570-01) MXA-CLK, Modero X/S Series Cleaning Kit (FG5968-16)
OPTIONAL ACCESSORIES	<ul style="list-style-type: none"> MXA-MP, Modero X/S Series Multi Preview (FG5968-20) MXA-MPL, Modero X/S Series Multi Preview Live (FG5968-10) PS-POE-AF-TC, PoE Injector, 802.3AF Compliant (FG423-83) HPG-10-10K, 3/4" Mini-Grommet, 10-Pack (FG570-01-10K) MXA-BT Bluetooth USB Adapter for Modero X/S Series (FG5968-19) MXA-CLK, Modero X/S Series Cleaning Kit (FG5968-16) NXA-ENET8-2POE, Gigabit PoE Ethernet Switch (FG2178-63) MXA-HST, Bluetooth Handset for Modero X/S Series Touch Panels (FG5968-17) MXA-USB-C, USB Port Covers for the Modero X/S Series Touch Panels (FG5968-18)
* This feature will be available upon release of a future firmware update.	

Touch Panel Aspect Ratio

While the touch panel screen physical dimensions fall between 16:9 and 16:10, any incoming video stream can be scaled to 16:9 if needed. This may lead to some letter boxing around the video in some cases.

MXD-701 (Wall-Mount - Landscape/Portrait)

The MXD-701 is available in Portrait and Landscape layouts: .

Portrait	MXD-701-P	FG5968-54
Landscape	MXD-701-L	FG5968-55



FIG. 13 MXD-701 Wall Mount (Portrait and Landscape)

MXD-701 Specifications

MXD-701 Specifications	
DIMENSIONS (HWD)	<ul style="list-style-type: none"> Landscape: 4 13/16" x 7 5/16" x 2 1/2" (122mm x 186mm x 63mm) Portrait: 7 5/16" x 4 13/16" x 2 1/2" (186mm x 122mm x 63mm)
WEIGHT	1.4 lbs (0.64 Kg)
POWER CONSUMPTION	<ul style="list-style-type: none"> Full-On: 11.5 W maximum Standby: 5.8 W Shutdown: 1 W Start-Up Inrush Current: Not applicable due to PoE standard
EXTERNAL POWER SUPPLY REQUIRED	Optimal performance requires use of one of the following AMX PoE power supplies (not included): <ul style="list-style-type: none"> PS-POE-AF-TC, PoE Injector, 802.3AF Compliant (FG423-83) NXA-ENET8-2POE, Gigabit PoE Ethernet Switch (FG2178-63)
CERTIFICATIONS	<ul style="list-style-type: none"> FCC Part 15 Class B C-Tick CISPR 22 Class B CE EN 55022 Class B and EN 55024 CB Scheme IEC 60950-1 IC IEC/EN-60950 UL 60950-1 RoHS/WEEE compliant

MXD-701 Specifications (Cont.)	
TOUCH SCREEN DISPLAY	<ul style="list-style-type: none"> • Display Type: TFT Active Matrix Color LCD with Fringe Field Switching (FFS) - Wide Viewing Angle Technology • Display Size (WH): Landscape: 7.3" x 4.8" (186mm x 122mm), 8.8" (222mm) diagonal Portrait: 4.8" x 7.3" (122mm x 186mm), 8.8" (222mm) diagonal • Viewable Area (WH): Landscape: 6.05" x 3.54" (154mm x 90mm), 7.0" (178mm) diagonal Portrait: 3.54" x 6.05" (90mm x 154mm), 7.0" (178mm) diagonal • Resolution: Landscape: 1024x600 Portrait: 600x1024 • Aspect Ratio: Landscape: 16:9 Portrait: 9:16 • Brightness: 400 cd/m² • Contrast Ratio: 800:1 • Color Depth: 16.7M colors • Illumination: LED • Touch Overlay: Projected capacitive, multi-touch support, 3 simultaneous max
VIEWING ANGLE	<ul style="list-style-type: none"> • Vertical: $\pm 89^\circ$ • Horizontal: $\pm 89^\circ$
MEMORY	<ul style="list-style-type: none"> • SDRAM: 2 GB • Flash: 16 GB • Maximum Project Size: 12 GB flash, available for apps and touch panel files
COMMUNICATIONS	<ul style="list-style-type: none"> • Ethernet: 10/100 Auto MDI-X port, RJ-45 connector. Supported IP and IP-Based Protocols: UCP, TCP, ICMP, ICSP, IGMP, DHCP, SSH, FTP, DNS, RFB (for VNC), HTTP • USB: (2) USB host 2.0, Type A ports (1 with limited physical access requiring right angle connection): Firmware upgrade, Touch Panel File Transfer, document and image viewing, HID Peripherals • Near Field Communication (NFC): Supports standards ISO/IEC 15693, ISO/IEC 14443A, ISO/IEC 14443B; Unique Identifier (UID), typ range = .25", max = .5" • Bluetooth*: Mouse/Keyboard: HID Profile v1.1, requires MXA-BT Bluetooth Adapter (FG5968-19) Handset: Hands Free Profile v1.5, Headset Profile v1.2, requires MXA-BT Bluetooth Adapter (FG5968-19) and MXA-HST Bluetooth Handset (FG5968-17)
VIDEO	<ul style="list-style-type: none"> • Supported Video Codecs: MPEG2-TS: MPEG-2 Main Profile@High Level up to 720p at 25 fps (decode only) MPEG-2-TS: H.264 High Profile@Layer 4, AAC-LC up to 720p at 25 fps (decode) MJPEG up to 720p at 25 fps (decode only) • Supported Video Transport Streams: MPEG-TS for MPEG2 and H.264; HTTP for MJPEG • Max Number of Active Video Streams: 2 (720dpi/30fps)
AUDIO	<ul style="list-style-type: none"> • Microphone: -42 dB \pm 3 dB sensitivity FET microphone • Speakers: 4 ohm, 2 Watt, 300 Hz cutoff frequency • Supported Audio Codecs: MP2 Layer I and II, MP3 (8 kHz, 11.025 kHz, 12 kHz, 16 kHz, 22.05 kHz, 24 kHz, 32 kHz, 44.1 kHz, 48 kHz), AAC-LC (8 kHz, 96 kHz), G.711 with μLaw (VoIP* encode/decode at 8 kHz) Suggested max packet size for G.711 Voice: 20ms • File Formats: WAV, MP3 (as part of touch panel file only - no USB storage) • Intercom*: Full Duplex VoIP, SIP v2.0
GRAPHICS ENGINE	AMX G5: G5 enhanced feature set supporting multi-touch and gestures, scrolling, transitions, applications - See TPD5 Operations Guide for more information
EMBEDDED APPLICATIONS	<ul style="list-style-type: none"> • Viewer Applications*: PDF, JPEG, BMP, PNG, TIFF, GIF • Remote Management: VNC Server • Video Conferencing: Skype, the MXD-701 receives audio/video and returns audio • Audio Conferencing: Audio (Full Duplex Intercom*)
FRONT PANEL COMPONENTS	<ul style="list-style-type: none"> • Light Sensor: Photosensitive light detector for automatic adjustment of the panel brightness • Proximity Detector: Max range = \sim3', typ range = \sim1', FOV = \sim10 degrees • Sleep Button: Sleep button to activate sleep mode and powering off. Also provides access to setup pages (can be disabled)
CONNECTIONS	<ul style="list-style-type: none"> • Ethernet: 10/100 port, RJ-45 connector through cable extension • USB: (2) USB host 2.0, Type A ports • Power: PoE (Power over Ethernet), 802.3af, class 3

MXD-701 Specifications (Cont.)	
ENVIRONMENTAL	<ul style="list-style-type: none"> • Temperature (Operating): 32°F to 104°F (0°C to 40°C) • Temperature (Storage): 4°F to 140°F (-20°C to 60°C) • Humidity (Operating): 20% to 85% RH • Humidity (Storage): 5% to 85% RH • Power ("Heat") Dissipation: On: 39.2 BTU/hr Standby: 19.8 BTU/hr
INCLUDED ACCESSORIES	<ul style="list-style-type: none"> • MXA-USB-C, USB Port Cover Kit, Modero X Series Touch Panel (FG5968-18) • MXA-CLK, Modero X/S Series Cleaning Kit (FG5968-16) • Installation Template, 7" Modero X Series (68-5968-04)
OPTIONAL ACCESSORIES	<ul style="list-style-type: none"> • MXA-FMK-07 Flush Mount Kit, 7" Modero X Wall Mount (FG5968-71) • MXA-RMK-07 Modero X Series Rack Mount Kit (FG5969-63) • MXA-MP, Modero X/S Series Multi Preview (FG5968-20) • MXA-MPL, Modero X/S Series Multi Preview Live (FG5968-10) • PS-POE-AF-TC, PoE Injector, 802.3AF Compliant (FG423-83) • CB-MXSA-07, Rough-In Box, Modero X/S Series Touch Panel, 7" (FG039-18) • CB-MXP7, Rough-In Box (FG039-18) • CB-MXP-07-F, Flush Mount Rough-In Box and Cover Plate, for use with MXA-FMK-07 Flush Mount Kit for 7" Modero X Wall Mount Touch Panels (FG5968-83) • MXA-BT Bluetooth USB Adapter for Modero X/S Series (FG5968-19) • MXA-CLK, Modero X/S Series Cleaning Kit (FG5968-16) • NXA-ENET8-2POE, Gigabit PoE Ethernet Switch (FG2178-63) • MXA-USB-C, USB Port Cover Kit, Modero X Series Touch Panel (FG5968-18) • MXA-HST, Bluetooth Handset for Modero X/S Series Touch Panels (FG5968-17)
* This feature will be available upon release of a future firmware update.	

Touch Panel Aspect Ratio

While the touch panel screen physical dimensions fall between 16:9 and 16:10, any incoming video stream can be scaled to 16:9 if needed. This may lead to some letter boxing around the video in some cases.

Installing Tabletop (MXT) Panels

MXT-2001-PAN / MXT-1901-PAN

Detailed specifications drawings for the [MXT-2001-PAN](#) and [MXT-1901-PAN](#) are available to download from www.amx.com.

Connector Locations - MXT-2001-PAN / MXT-1901-PAN

Two Type A USB ports are located on the rear right corner of the panel (FIG. 14). USB peripherals (i.e. mouse, keyboard) may be connected to either of the two USB ports on the rear of the device. Updates to the device's firmware can also be made via the USB ports (see the *Modero G5 Configuration and Programming Guide* for details). Note that FIG. 14 shows the MXT-1901-PAN, but the USB ports are in a similar location on the MXT-2001-PAN.



FIG. 14 MXT-1901-PAN - rear view

The Power and Ethernet connectors, as well as an additional USB port are located on the bottom of the device (FIG. 15).

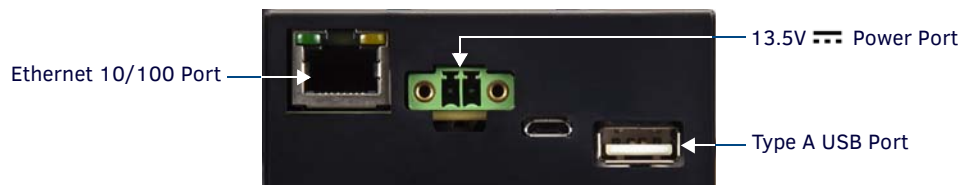


FIG. 15 MXT-2001-PAN / MXT-1901-PAN - underside connectors

NOTE: Refer to the *Power via 13.5V* section on page 32 for details on wiring a power connection.

The underside USB port, as well as the two rear USB ports, may be used with a flash drive for page transfers or firmware upgrades. The MXT-2001-PAN and MXT-1901-PAN have a slot at the base with channels for securing power and Ethernet cables, to allow options for cable configuration (FIG. 16).

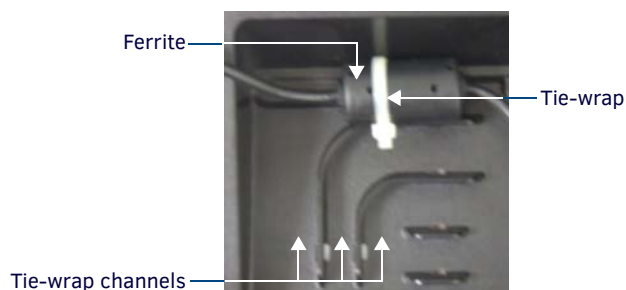


FIG. 16 Tie-wrap for power connector ferrite

Each channel side has slots for attaching tie-wraps to secure each cable.

- The ferrite on the power cable must be secured with the included tie-wrap during installation to prevent the possibility of the panel not sitting flush on the table.
- Other cables may be secured with tie-wraps if desired.

MXT-1001 / MXT-701

Detailed specifications drawings for the [MXT-1001](#) and [MXT-701](#) are available to download from www.amx.com.

Connector Locations - MXT-1001/MXT-701

Two Type A USB ports are located on the rear right corner of the panel (FIG. 17). USB peripherals (i.e. mouse, keyboard) may be connected to either of the two USB ports on the rear of the device. Updates to the device's firmware can also be made via the USB ports (see the [Modero G5 Configuration and Programming Guide](#) for details). Note that FIG. 17 shows the MXT-1001, but the USB ports are in a similar location on the MXT-701.

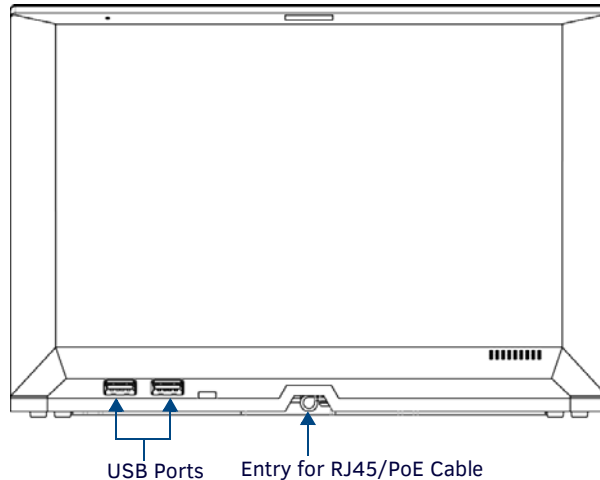


FIG. 17 MXT-1001 - rear view

NOTE: Refer to the Power via PoE section on page 32 for details on PoE and Ethernet Cable Installation and Modification.

Power via 13.5V ⚡

The MXT-2001-PAN and MXT-1901-PAN use a 13.5V⚡-compliant power supply to provide power to the panel via the 2-pin 3.5mm captive wire PWR connector. The incoming PWR and GND wires from the power supply must be connected to the corresponding locations within the PWR connector.

NOTE: Connecting power to the panel should be done using the included 2-pin 3.5mm captive wire connector included with the device. This connector is retained within its port with locking screws instead of the pins on each side of standard captive wire connectors, and using force to insert a standard captive wire connector may damage the device.

Wiring a 13.5V ⚡ Power Connection

To use the 2-pin 3.5mm captive wire connector with a 13.5V⚡-compliant power supply, the incoming PWR and GND wires from the external source must be connected to their corresponding locations on the connector (FIG. 18). The connector uses locking screws to insure a connection to the device, so make sure to insert and tighten the screws before applying power.

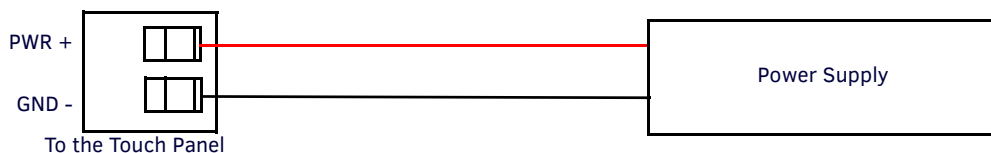


FIG. 18 NetLinx power connector wiring diagram

1. Insert the PWR and GND wires on the terminal end of the 2-pin 3.5mm captive wire cable.
Match the wiring locations of the +/- on both the power supply and the terminal connector.
2. Tighten the clamp to secure the two wires.
Do not tighten the screws excessively; doing so may strip the threads and damage the connector.
3. Verify the connection of the 2-pin 3.5mm captive wire to the external 13.5V⚡-compliant power supply and apply power.

Power via PoE

Power for the MXT-1001 and MXT-701 is supplied via PoE (Power Over Ethernet), utilizing an AMX-certified, capacitive touch-compliant PoE injector such as the PS-POE-AT High Power PoE Injector (**FG423-81**) or other approved AMX PoE power source. The incoming Ethernet cable should be connected to the RJ45 port on the cable attached to the device.

Ethernet Cable Installation and Modification

In tabletop installations where concealing the Ethernet cable is desired, a hole at least 1.00" (2.54 cm) in diameter is required in the surface to allow passage of the female RJ45 connector (FIG. 19). If using a smaller hole is unavoidable, you will need to disconnect the Ethernet cable (ECA5968-05) from the device, to feed the male end of the cable through.

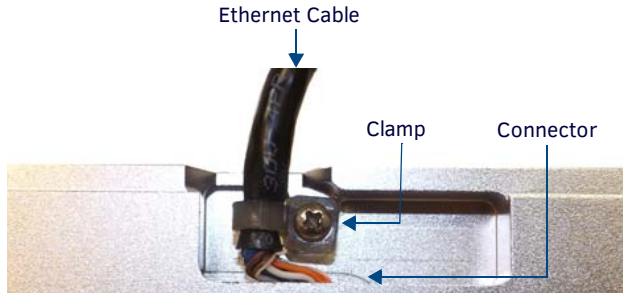


FIG. 19 Bottom of the MXT-701/1001

NOTE: *The minimum diameter hole through which the Ethernet cable may pass is 0.50" (1.27 cm).*

To disconnect and reconnect the Ethernet cable on the MXT-701 and MXT-1001 to allow use of a hole smaller than 1.00" in diameter:

1. On a soft surface, turn the MXT-1001 face-down to access the bottom of the device.
2. Remove the clamp holding the Ethernet cable (FIG. 19).
3. Remove the Ethernet cable connector and pull the cable out of the clamp.
4. Pass the Ethernet cable (ECA5968-05) through the hole, with the RJ45 connector on the other side of the installation surface from the device.
5. Press the Ethernet cable back into the clamp.
Do NOT tighten the clamp at this time.
6. Using a non-conductive item such as a wooden stick, reinsert the Ethernet cable connector into the device. Ensure that the connector is properly seated.
7. Tighten the clamp to secure the Ethernet cable.
Make sure the clamp is around the bundled black cable, not the individual wires
8. Connect the RJ45 connector to its incoming Ethernet cable and apply power.

Installing Wall-Mount (MXD) Panels

A Note About Wall and Rack Installation

Some products are installed in areas of differing temperature and cooling methodologies. These include products installed in walls, racks, cabinets, etc. Those areas may have different temperatures and/or cooling approaches that must be taken into consideration to maintain the product within the specified operating temperature.

FIG. 20 shows an AMX device installed in a wall with a filled volume (such as with insulation or concrete), as well as with a closed volume (such as between studs in an otherwise finished wall). The diagram shows how heat generated by the device or other devices may have no way to escape, and may build up to levels that may affect device operation.

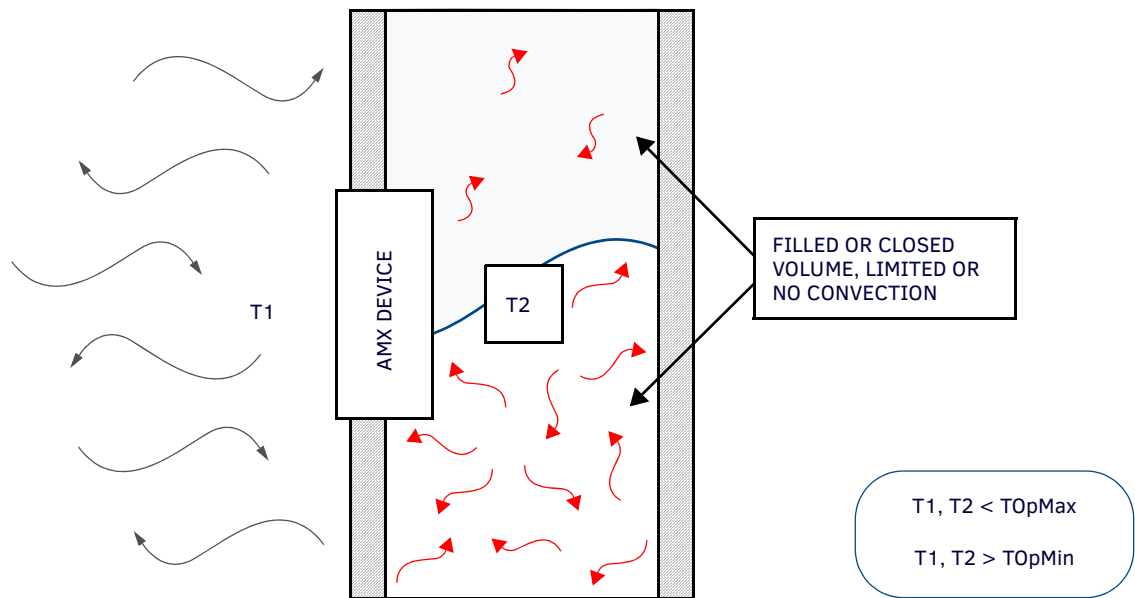


FIG. 20 Heat convection in filled or closed volume, limited or no convection

In FIG. 21, the diagram displays an AMX device in a typical rack mounting, with full air circulation around the front and back of the device. In this case, the main concern is with heat building up between components, possibly to levels that may affect device operation.

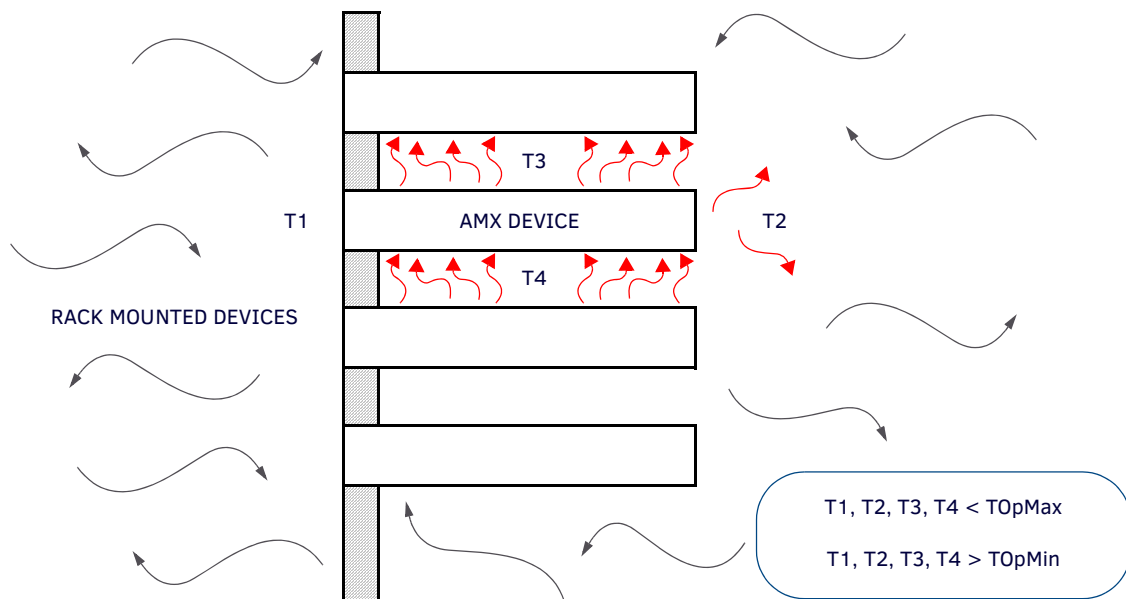


FIG. 21 Heat convection in rack-mounted devices

Installation Recommendations

During any installation, a lack of ventilation may produce conditions that may adversely affect the device's operation. In these circumstances, special care must be made to make sure that temperatures within enclosed areas do not exceed the device's maximum rated temperature.

NOTE: While the outside temperature of the device may be at or below its maximum operating temperature, special care must be taken before and during installation to ensure that the maximum operating temperature is not exceeded within wall or rack installation spaces.

MXD-2001-PAN / MXD-1901-PAN Installation

Note that the figures in this section show landscape (-L) panels, but the concepts presented here apply equally to portrait (-P) panels, since the hardware is the same for landscape and portrait panels except for the horizontal / vertical orientation. Detailed specifications drawings for the [MXD-2001-PAN](#) and [MXD-1901-PAN](#) are available to download from www.amx.com.

MXD-2001-PAN and MXD-1901-PAN panels may be installed directly into a solid surface, using either solid surface screws or the included locking tabs for different mounting options.

Once installed, the panel is contained within a clear outer housing known as the *Backbox* (FIG. 22). This Backbox is removed when installing the device into a wall or when using the optional Rough-In Box accessory (FG039-15).

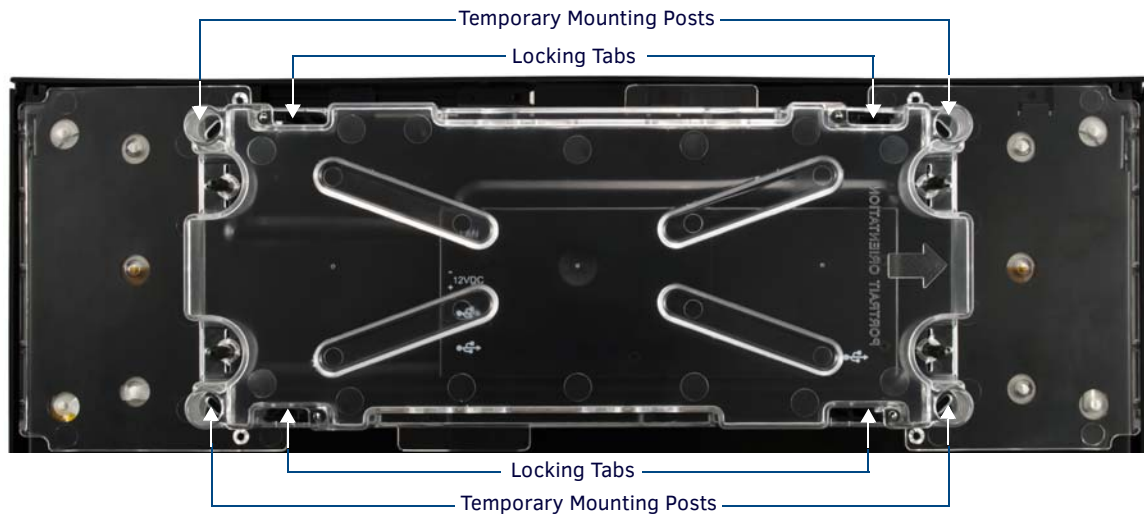


FIG. 22 Backbox (MXD-2001-PAN / MXD-1901-PAN)

NOTE: For typical mounting surfaces, such as drywall, use the locking tabs as the primary method for securing the Backbox to the surface. For thin walls or solid surfaces, use mounting screws (not included).

Installing the MXD-2001-PAN / MXD-1901-PAN Into a Wall

The Backbox has four locking tabs (two on top and two on bottom) to lock the Backbox to the wall (FIG. 23). Note that FIG. 23 shows the MXD-1901-PAN, but the locking tabs are in a similar location on the MXT-2001-PAN.

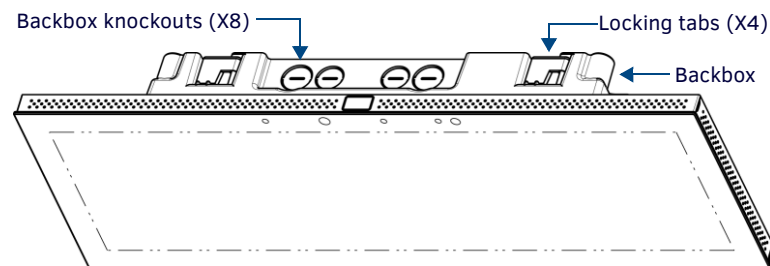


FIG. 23 MXD-1901-PAN (Landscape)

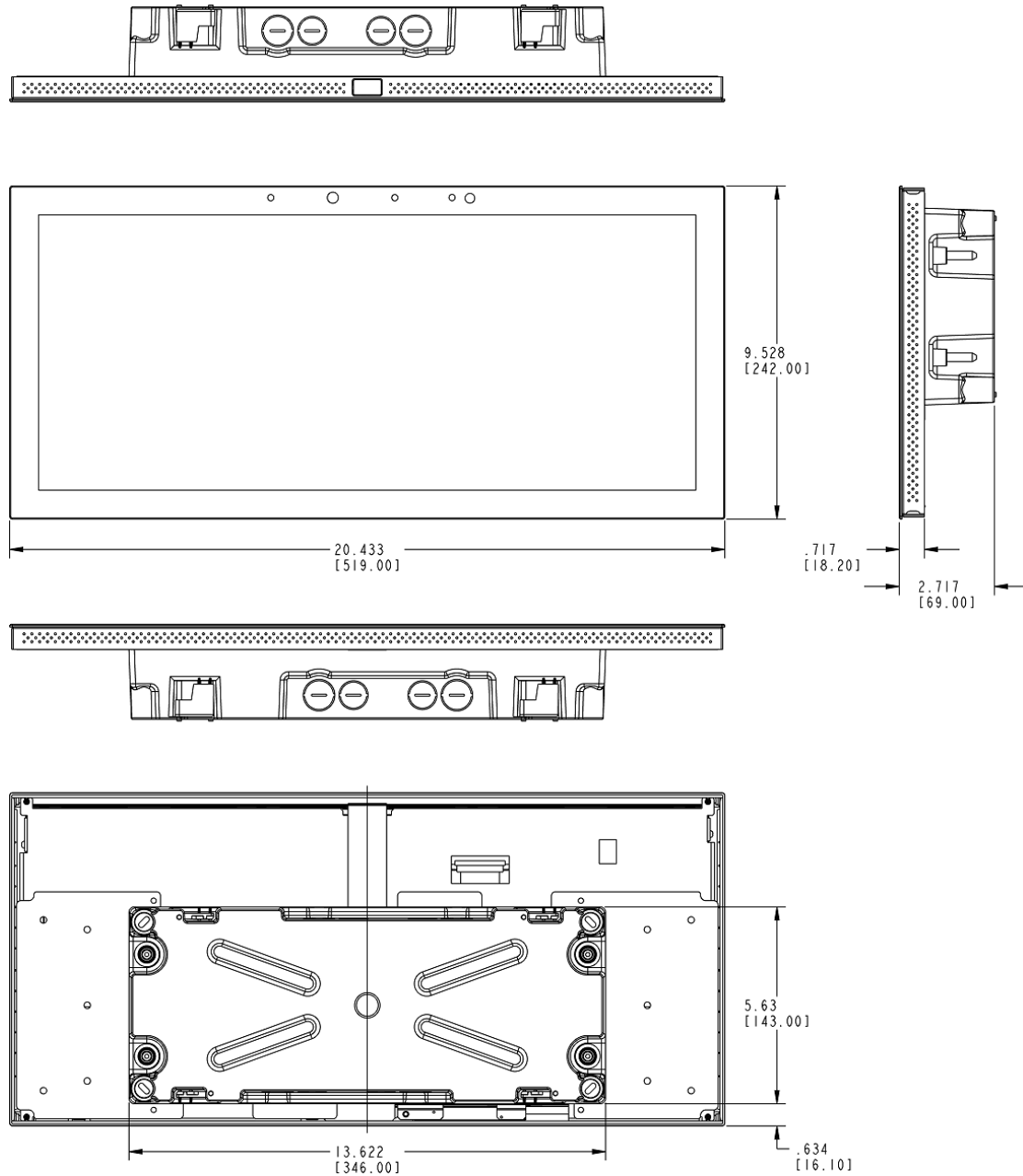
These locking tabs are only extended AFTER the Backbox is inserted into the wall.

The Backbox also has four slots for accepting the temporary mounting posts on the back of the device.

NOTE: When installing the Backbox, make sure that the assembly is in the correct position and in the correct place. Once the locking tabs are extended and locked into place, removing the Backbox may be difficult without having access to the back of the wall or causing damage to the wall.

MXD-2001-PAN Dimensions

FIG. 24 provides dimensions for the MXD-2001-PAN:

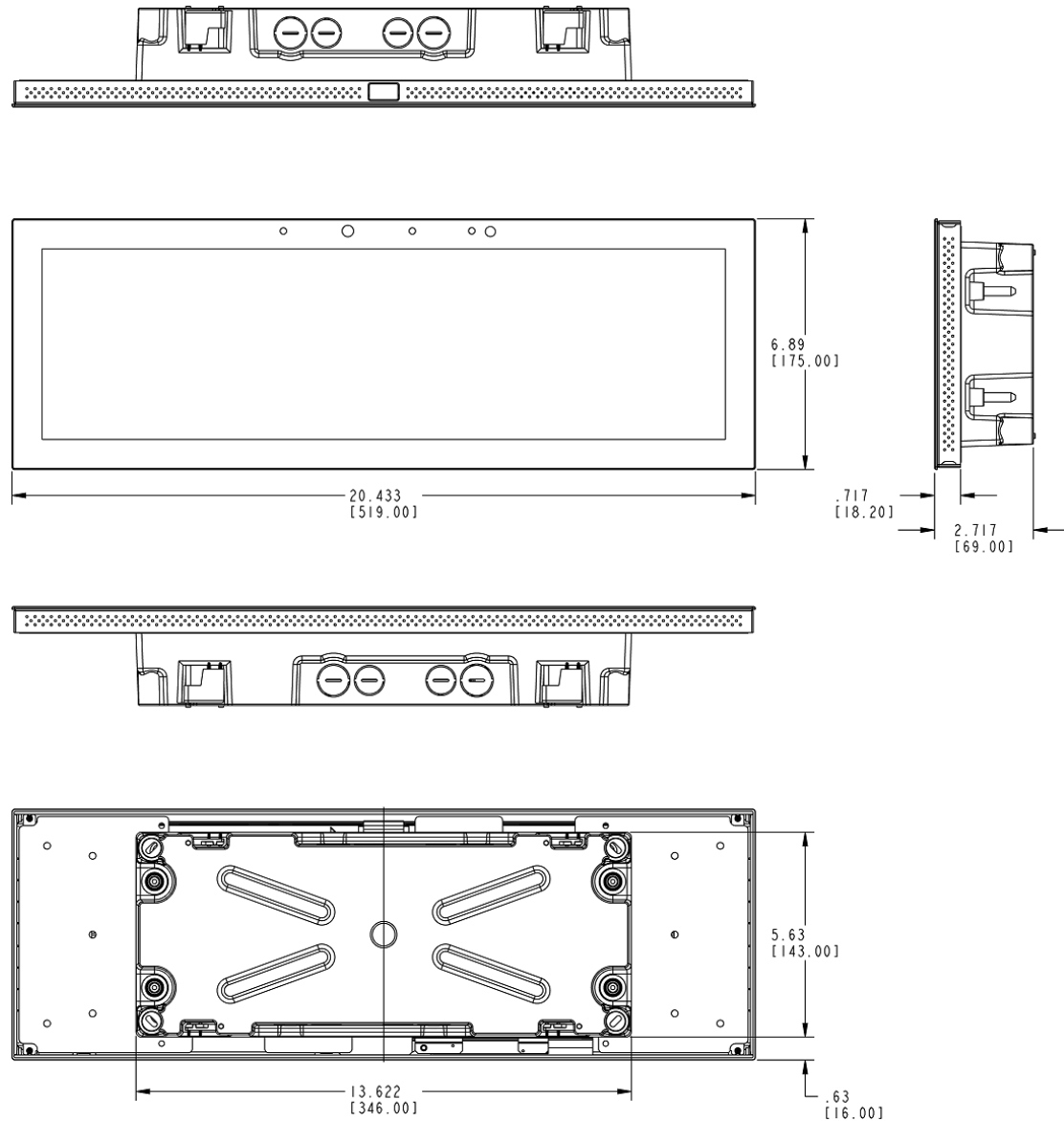


Notes:
 Dimensions in parenthesis are in millimeters
 Additional detailed installation and product drawings are available to view/download at www.amx.com

FIG. 24 MXD-2001-PAN - Dimensions

MXD-1901-PAN Dimensions

FIG. 25 provides dimensions for the MXD-1901-PAN:



Notes:
 Dimensions in parenthesis are in millimeters
 Additional detailed installation and product drawings are available to view/download at www.amx.com

FIG. 25 MXD-1901-PAN - Dimensions

NOTE: In order to ensure a stable installation, the thickness of the wall material must be a minimum of .50 inches (1.27cm) and a maximum of .875 inches (2.22cm).

Installing the Backbox

MXD-2001-PAN Installation Dimensions

FIG. 26 and FIG. 27 provide installation dimensions for the MXD-2001-PAN:

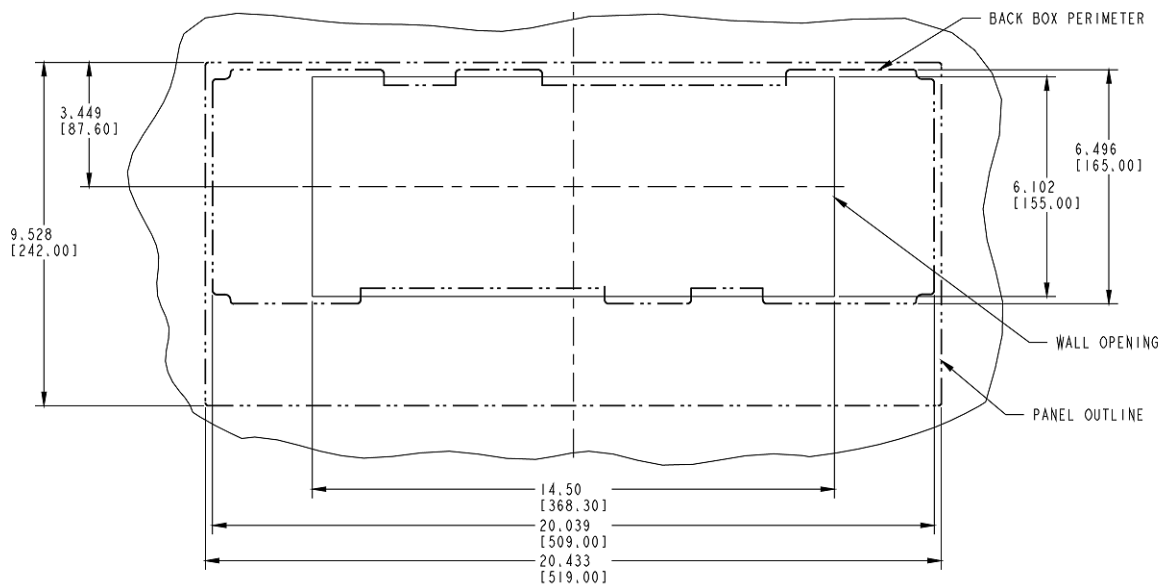


FIG. 26 MXD-2001-PAN-L Installation Dimensions (front view)

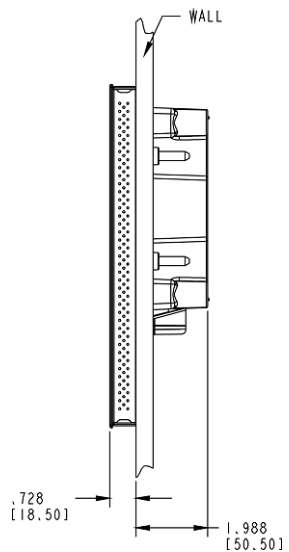


FIG. 27 MXD-2001-PAN-L Installation Dimensions (side view)

Notes:

- Dimensions in parenthesis are in millimeters.
- These drawings show a Landscape panel. The dimensions are the same for Portrait panels, except for the vertical orientation. Additional detailed installation and product drawings (for both Landscape and Portrait panels) are available to view/download at www.amx.com

MXD-1901-PAN Installation Dimensions

FIG. 28 and FIG. 29 provide installation dimensions for the MXD-1901-PAN:

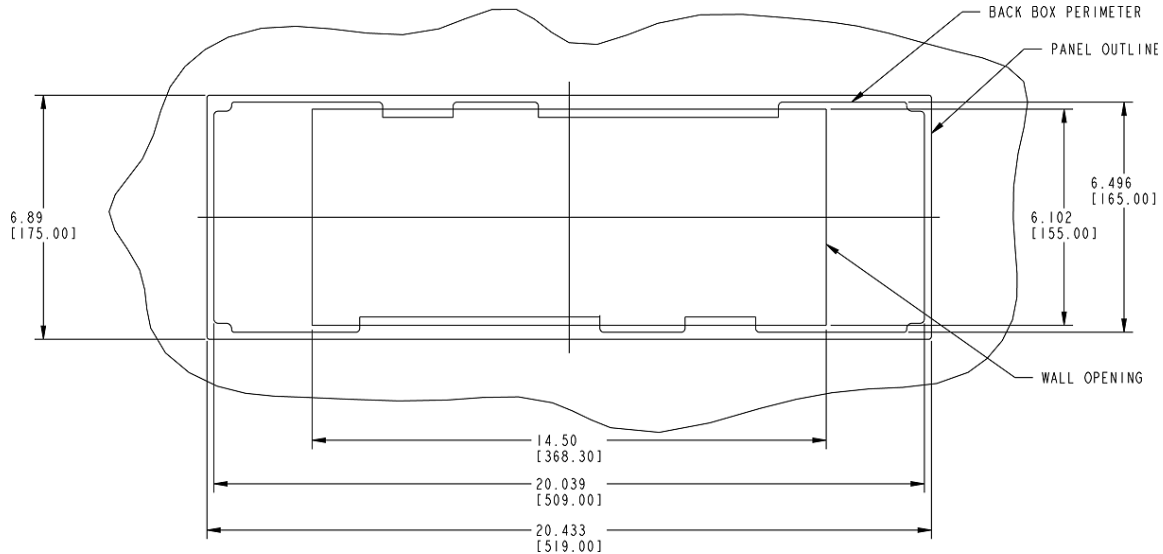


FIG. 28 MXD-1901-PAN-L Installation Dimensions (front view)

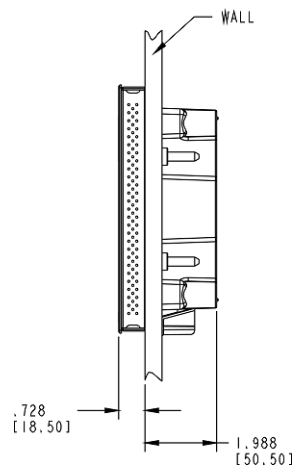


FIG. 29 MXD-1901-PAN-L Installation Dimensions (side view)

Notes:

- Dimensions in parenthesis are in millimeters.
- These drawings show a Landscape panel. The dimensions are the same for Portrait panels, except for the vertical orientation. Additional detailed installation and product drawings (for both Landscape and Portrait panels) are available to view/download at www.amx.com

Since the cutout for the Backbox is off-center from the edges of the touch panel, use the included Installation Template to ensure proper placement.

NOTE: Using the Installation Template to select the final placement of the Backbox is highly recommended. The outside edges of the template are the same dimensions as the touch panel, which allows you to troubleshoot possible conflicts with wall edges, doors, and other potential obstacles.

- The MXD-2001-PAN uses Installation Template **68-5968-01**
 - The MXD-1901-PAN uses Installation Template **68-5968-02**
1. Prepare the area by removing any screws or nails from the drywall before beginning the cutout process.
 2. After ensuring proper placement, cut out the mounting surface for the Backbox, using the included Installation Template as a guide.

NOTE: Making sure that the actual cutout opening is slightly smaller than the provided dimensions is highly recommended. This action provides the installer with a margin for error if the opening needs to be expanded. Too little wall material removed is always better than too much.
 3. Thread the incoming power and Ethernet wiring from their terminal locations through the surface opening (FIG. 30). Note that FIG. 30 shows the MXD-1901-PAN, but the illustration applies equally to the MXD-2001-PAN. Also note that FIG. 30 shows a landscape panel but the installation of a portrait panel is essentially the same, other than the vertical orientation. Leave enough slack in the wiring to accommodate any re-positioning of the panel.

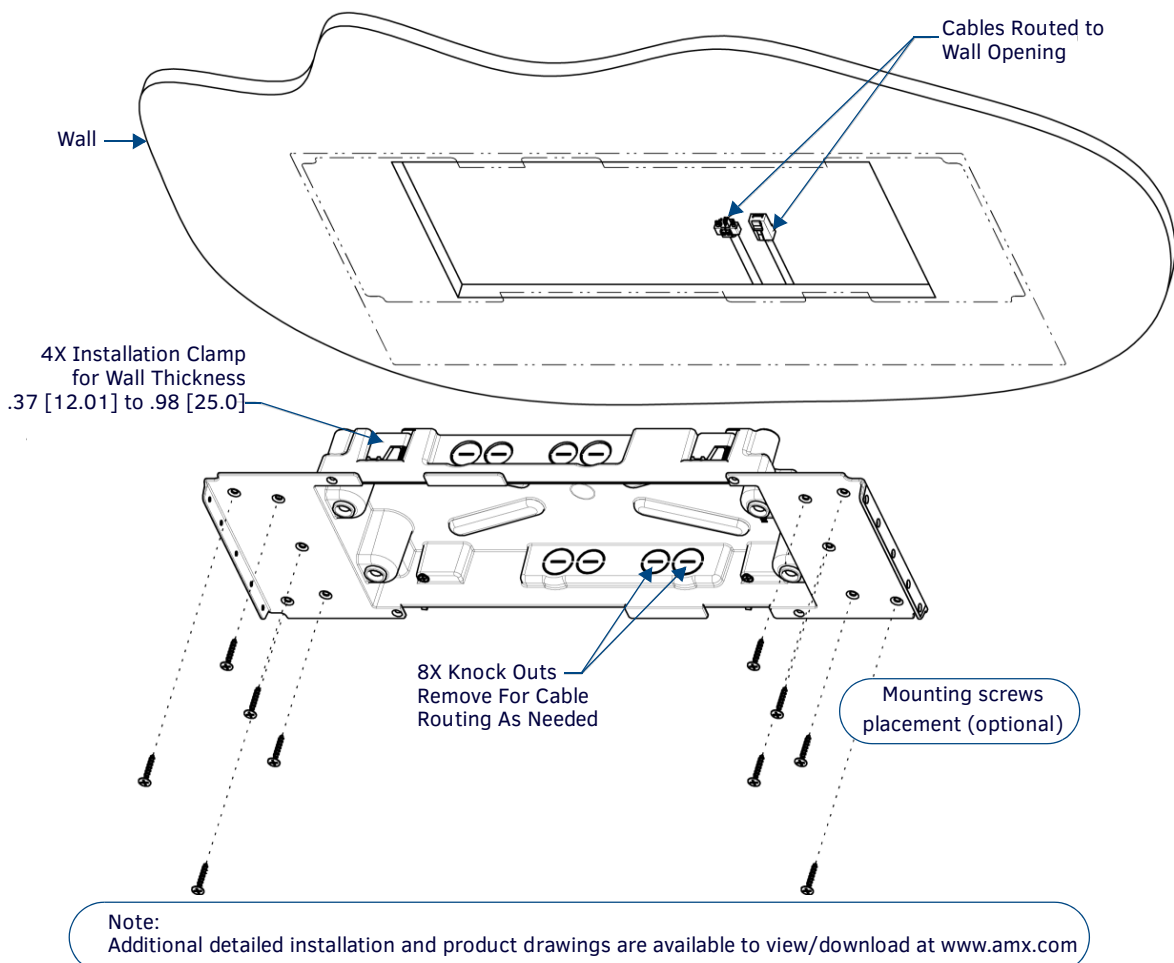


FIG. 30 MXD-1901-PAN Backbox installation (Landscape)

4. Remove any knockouts as needed on either long dimension of the Backbox to facilitate incoming wiring and pull the wiring through the resultant holes.
5. Push the Backbox into the wall opening. Insure that the locking tabs lie flush against the Backbox, and that the Backbox goes freely into the opening.
6. Extend the locking tabs on the sides of the Backbox by tightening the screws inside the box until snug.

NOTE: *The maximum recommended torque to screw in the locking tabs on the plastic Backbox is 5 IN-LB [56 N-CM]. Applying excessive torque while tightening the tab screws, such as with powered screwdrivers, can strip out the locking tabs or damage the plastic Backbox.*

- Not all of the tabs must be extended to lock the Backbox in place, but extending a minimum of the top and bottom tabs is highly recommended.
 - Apply enough pressure to the screw head to keep the box flush with the wall: this ensures that the locking tabs will tighten up against the inside of the wall.
 - The Backbox is clear to allow visual confirmation that the tabs have been extended and are gripping the wall, as well as in assisting with removal if necessary.
 - For additional strength, #4 mounting screws (not included) may be secured through circular holes located at the left and right sides of the MXD-2001-PAN (see FIG. 30). In order to prevent damage to the touch panel, make sure that these are flush with the Backbox.
7. Insert each connector into its corresponding location along the back of the device (FIG. 31).

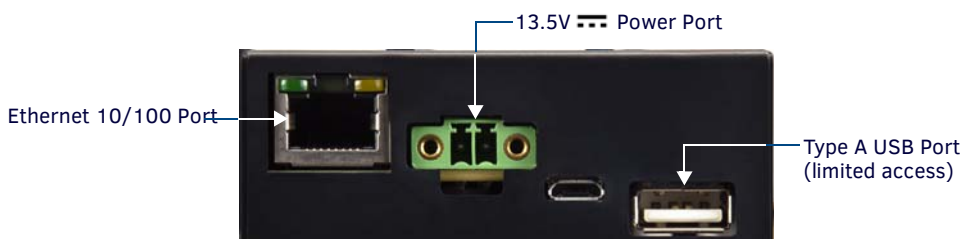


FIG. 31 MXD-2001-PAN / MXD-1901-PAN - rear connectors

NOTE: Refer to the Power via 13.5V section on page 41 for details on wiring a power connection.

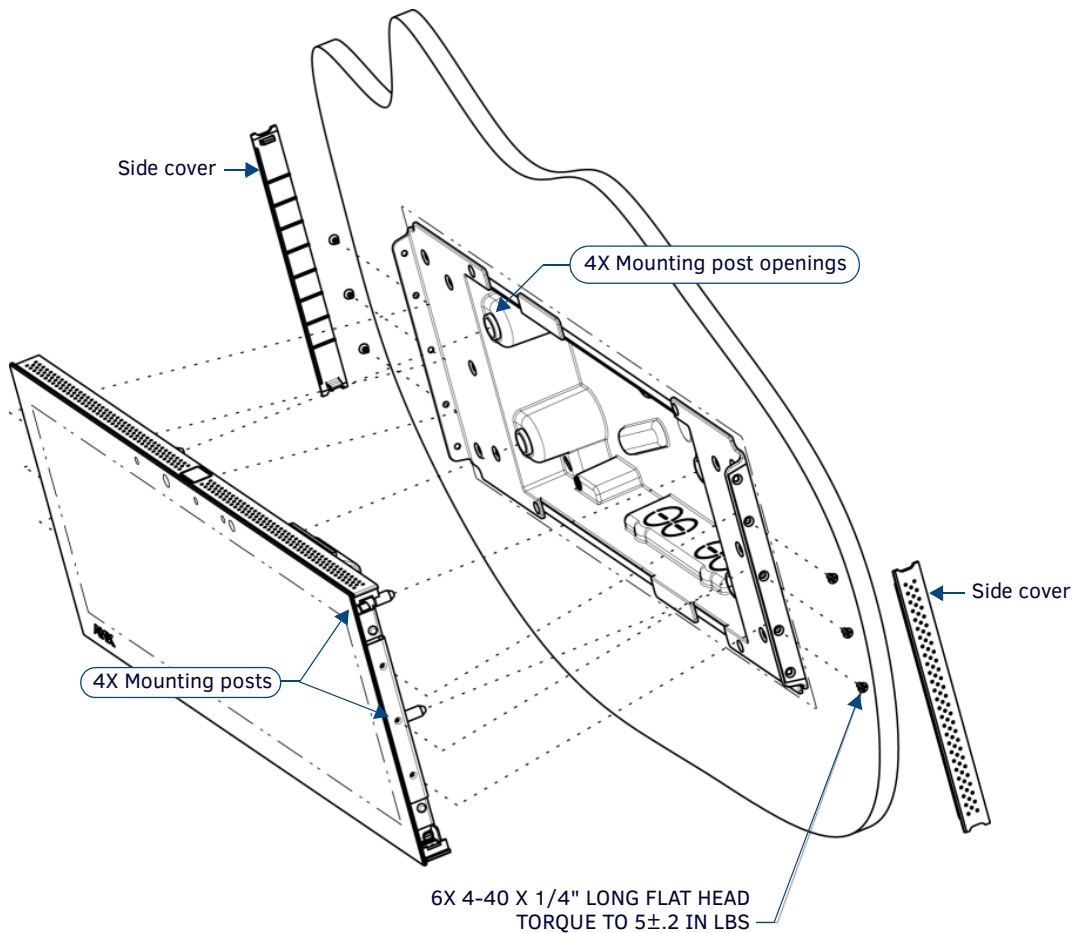
- Test the incoming wiring by attaching the panel connections to their terminal locations and applying power. Verify that the panel is receiving power and functioning properly to prevent repetition of the installation.

NOTE: Do not disconnect the connectors from the touch panel. The unit must be installed with the attached connectors before being inserted into the drywall.

NOTE: Configurations that use the limited access USB port on the side of the connector box may require a right angle mating connector (not included) for connection to the device.

- Insert the four temporary mounting posts of the panel into the openings on the Backbox and slide the panel onto the Backbox (FIG. 32). This will temporarily hold the panel during the rest of the installation.

Note that FIG. 32 shows the MXD-1901-PAN, but the illustration applies equally to the MXD-2001-PAN. Also note that FIG. 32 shows a landscape panel but the installation of a portrait panel is essentially the same, other than the vertical orientation.




Note:
Additional detailed installation and product drawings are available to view/download at www.amx.com

FIG. 32 MXD-1901-PAN installation (Landscape)

NOTE: When installing the panel, do NOT press on or near the center of the panel. Too much stress at the center may damage the touch screen surface. When installing the panel, pressure should be applied toward the ends of the panel ONLY.

- Use the six provided screws, three at each end, to secure the touch panel to the Backbox. Use only the provided screws, as other screws may damage the touch panel.
- Snap the decorative side covers onto each end of the panel.
- Reconnect the terminal Ethernet and USB cables to their respective ports.

Power via 13.5V

The MXT-2001-PAN and MXT-1901-PAN use a 13.5V -compliant power supply to provide power to the panel via the 2-pin 3.5mm captive wire PWR connector. The incoming PWR and GND wires from the power supply must be connected to the corresponding locations within the PWR connector.

NOTE: Connecting power to the panel should be done using the included 2-pin 3.5mm captive wire connector included with the device. This connector is retained within its port with locking screws instead of the pins on each side of standard captive wire connectors, and using force to insert a standard captive wire connector may damage the device.

Wiring a 13.5V $\overline{\text{DC}}$ Power Connection

To use the 2-pin 3.5mm captive wire connector with a 13.5V $\overline{\text{DC}}$ -compliant power supply, the incoming PWR and GND wires from the external source must be connected to their corresponding locations on the connector (FIG. 33).

The connector uses locking screws to insure a connection to the device, so make sure to insert and tighten the screws before applying power.

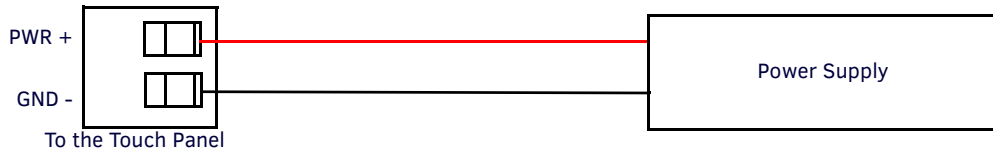


FIG. 33 NetLinX power connector wiring diagram

1. Insert the PWR and GND wires on the terminal end of the 2-pin 3.5mm captive wire cable. Match the wiring locations of the +/- on both the power supply and the terminal connector.
2. Tighten the clamp to secure the two wires. Do not tighten the screws excessively; doing so may strip the threads and damage the connector.
3. Verify the connection of the 2-pin 3.5mm captive wire to the external 13.5V $\overline{\text{DC}}$ -compliant power supply and apply power.

Uninstalling the MXD-2001-PAN / MXT-1901-PAN

The MXD-2001-PAN and MXD-1901-PAN are secured to the Backbox via screws. In certain circumstances, such as firmware updates or other maintenance that requires accessing the device's USB or Micro-USB ports, the panel may need to be removed from the Backbox.

The side covers must be removed to access the screws that secure the panel to the Backbox.

Removing the Panel From Its Backbox

1. The MXD-2001-PAN and MXD-1901-PAN have removable side covers on the left and right (landscape) or top and bottom (portrait) (FIG. 34). Note that FIG. 34 shows the MXD-1901-PAN, but the illustration applies equally to the MXD-2001-PAN. Also note that FIG. 34 shows a landscape panel but the installation of a portrait panel is essentially the same, other than the vertical orientation:

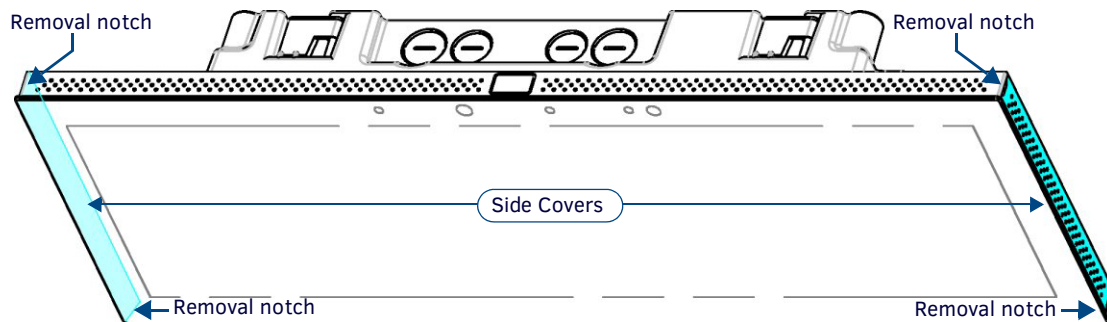


FIG. 34 MXD-1901-PAN Side Covers (highlighted in blue)

2. For each of the two side covers - insert a flat-head screwdriver (or similar tool) into the removal notches, and carefully pry each side of the side cover free from the molding.
3. Once the side covers have been removed, the screws securing the panel to the Backbox are accessible.
4. Remove the screws on each side to free the panel from the Backbox.
5. Grasp the bottom of the panel (Landscape) or right side (Portrait) and pull gently outward until the side of the panel is free of the Backbox. Use your other hand to hold stable the front of the panel. Always pull on the frame of the touch panel. NEVER pull on the glass edge.
6. When the first side is free, repeat the process with the other.
7. With the edge of the touch panel free, carefully lift up and out (Landscape) or to the left and out (Portrait) to remove the touch panel from the Backbox. Be careful not to pull on the cables or connectors.
8. To reattach the panel to its Backbox, repeat the installation procedure.

NOTE: For further information, refer to the video available at www.amx.com (go to Newsroom > Videos > Touch Panels).

MXD-1001 / MXD-701 Installation

Note that the figures in this section show landscape (-L) panels, but the concepts presented here apply equally to portrait (-P) panels, since the hardware is the same for landscape and portrait panels except for the horizontal / vertical orientation. Detailed specifications drawings for the [MXD-1001](#) and [MXD-701](#) are available to download from www.amx.com.

MXD-1001 and MXD-701 panels may be installed directly into a solid surface, using either solid surface screws or the included locking tabs for different mounting options.

Once installed, the panel is contained within a clear outer housing known as the *Backbox* (FIG. 35). This Backbox is removed to install the device into a wall or when using the optional Rough-In Box accessory (FG039-17).

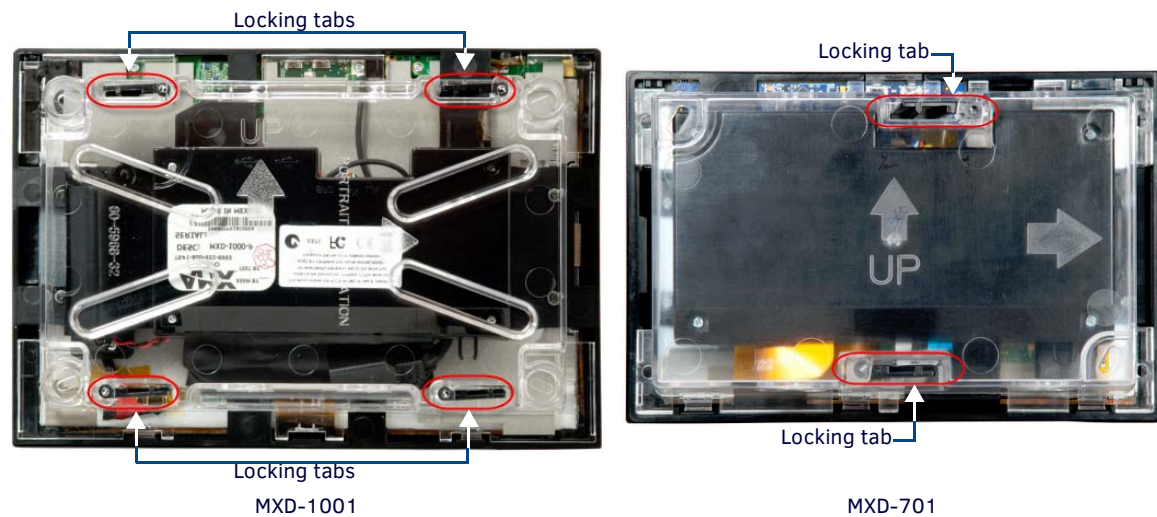


FIG. 35 MXD-1001 and MXD-701 Backboxes (Landscape orientation)

NOTE: For typical mounting surfaces, such as drywall, use the locking tabs as the primary method for securing the Backbox to the surface. For thin walls or solid surfaces, use mounting screws (not included).

Installing the MXD-1001 / MXD-701 Into a Wall

The Backbox has locking tabs to lock the Backbox to the wall - there are four on the MXD-1001 and two on the MXD-701 (FIG. 36).

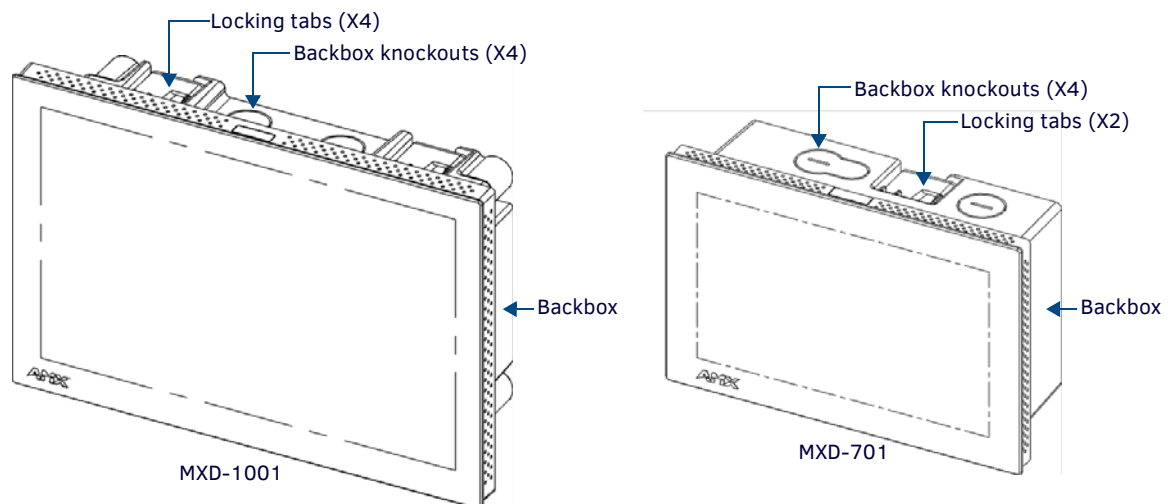


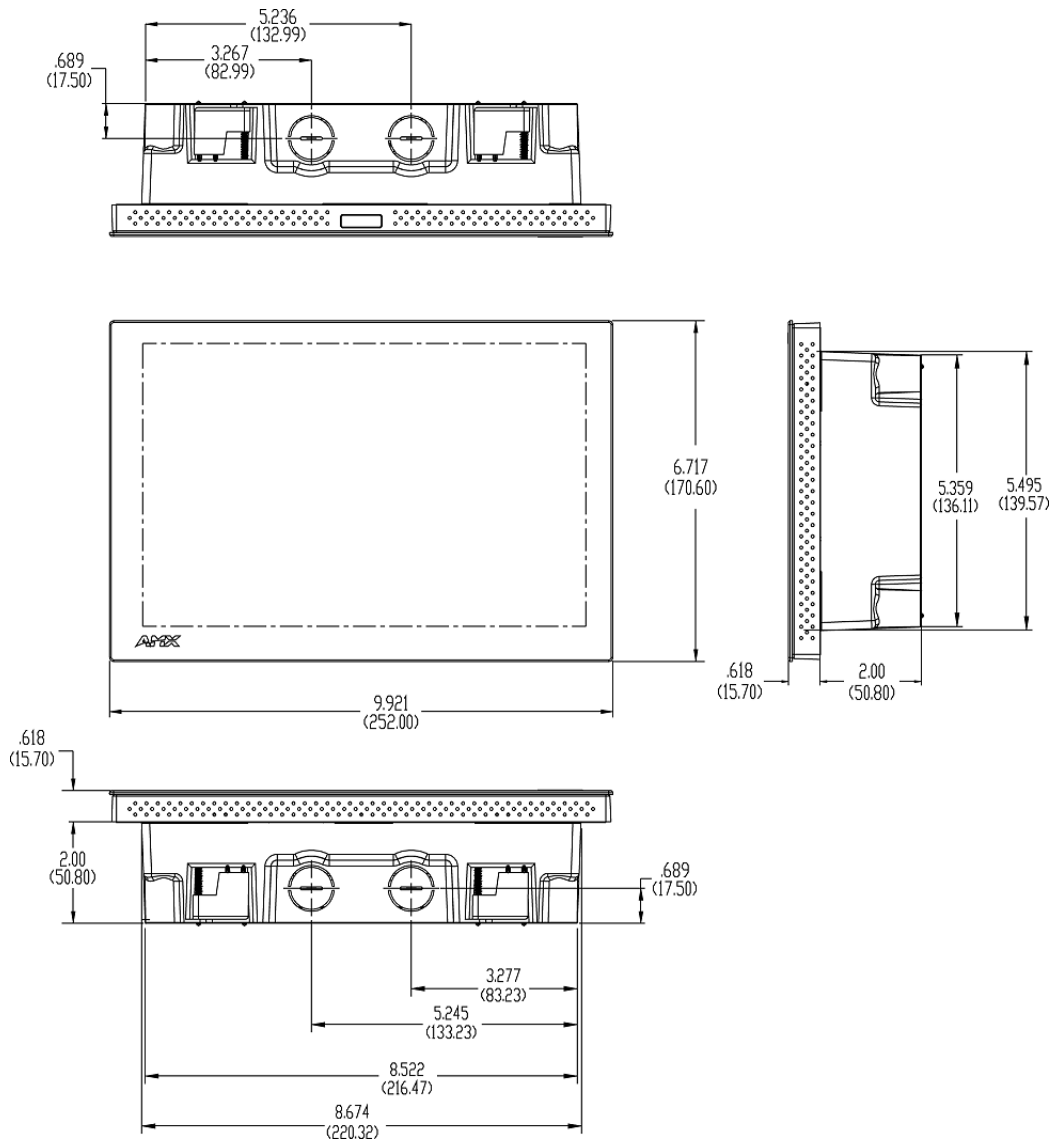
FIG. 36 MXD-1001 and MXD-701 (Landscape)

These locking tabs are only extended AFTER the Backbox is inserted into the wall. (FIG. 23 and FIG. 24).

NOTE: When installing the Backbox, make sure that the assembly is in the correct position and in the correct place. Once the locking tabs are extended and locked into place, removing the Backbox may be difficult without having access to the back of the wall or causing damage to the wall.

MXD-1001 Dimensions

FIG. 37 provides dimensions for the MXD-1001:

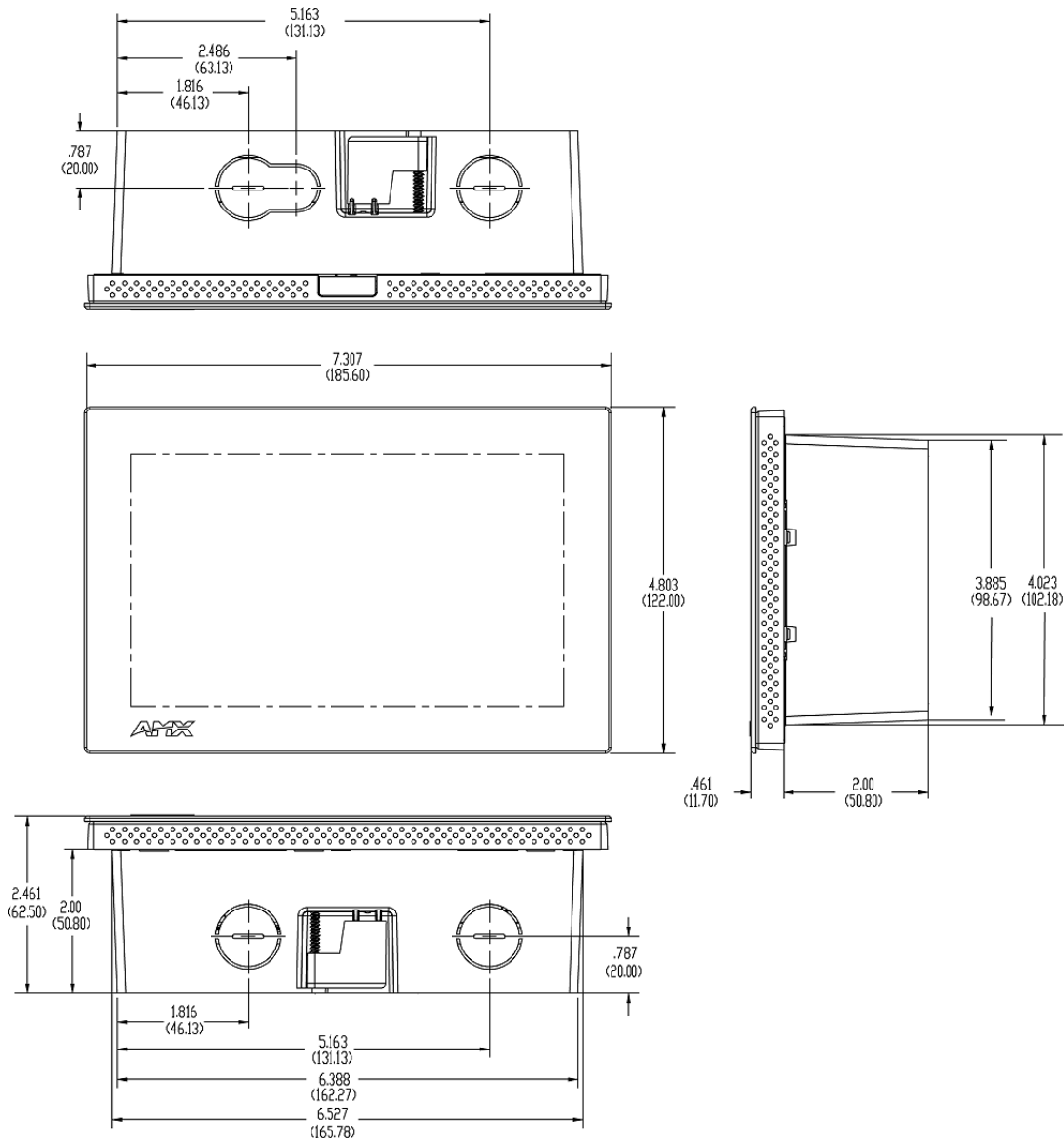


Notes:
 Dimensions in parenthesis are in millimeters
 Additional detailed installation and product drawings are available to view/download at www.amx.com

FIG. 37 MXD-1001 - Dimensions

MXD-701 Dimensions

FIG. 37 provides dimensions for the MXD-701:



Notes:
 Dimensions in parenthesis are in millimeters
 Additional detailed installation and product drawings are available to view/download at www.amx.com

FIG. 38 MXD-701 - Dimensions

NOTE: In order to ensure a stable installation, the thickness of the wall material must be a minimum of .50 inches (1.27cm) and a maximum of .875 inches (2.22cm). The mounting surface should also be smooth and flat.

Installing the Backbox

MXD-1001 Installation Dimensions

FIG. 39 and FIG. 40 provide installation dimensions for the MXD-1001:

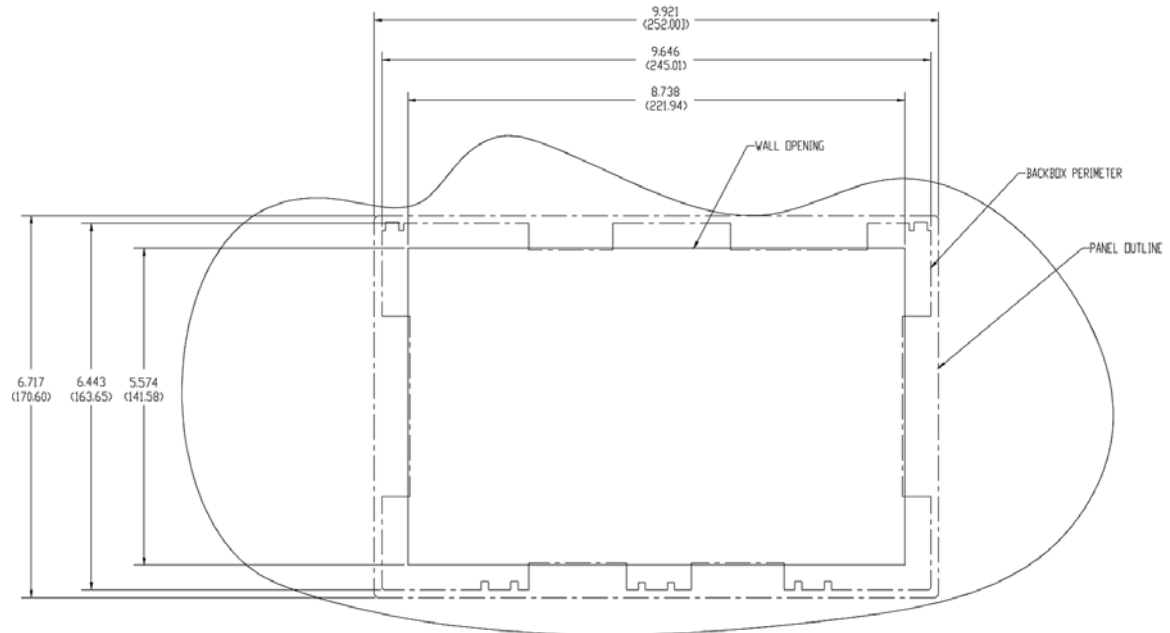


FIG. 39 MXD-1001 Installation Dimensions (front view)

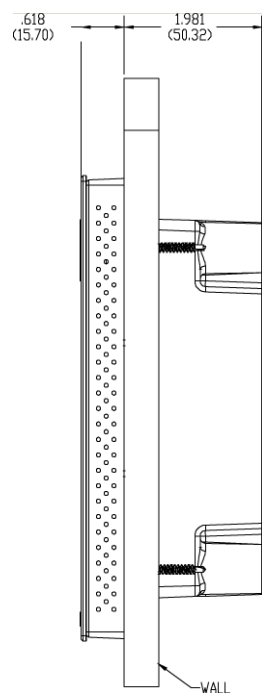


FIG. 40 MXD-1001 Installation Dimensions (side view)

Notes:

- Dimensions in parenthesis are in millimeters.
- These drawings show a Landscape panel. The dimensions are the same for Portrait panels, except for the vertical orientation. Additional detailed installation and product drawings (for both Landscape and Portrait panels) are available to view/download at www.amx.com

MXD-701 Installation Dimensions

FIG. 41 and FIG. 42 provide installation dimensions for the MXD-701:

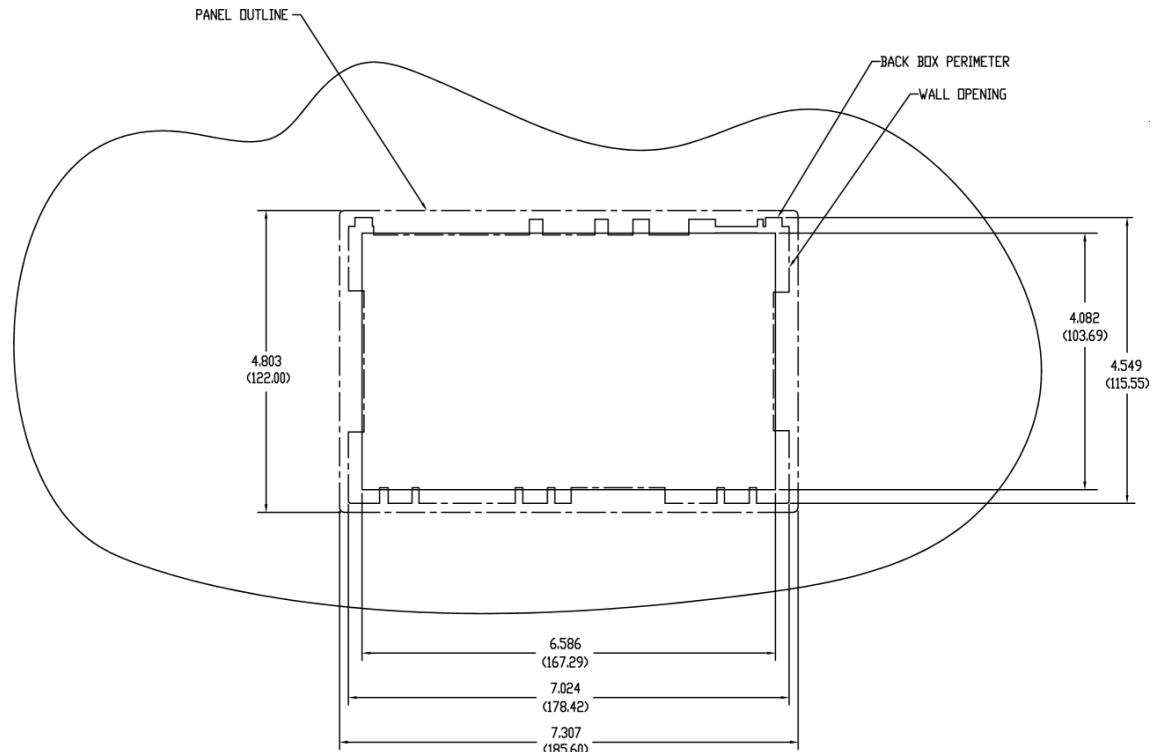


FIG. 41 MXD-701-L Installation Dimensions (front view)

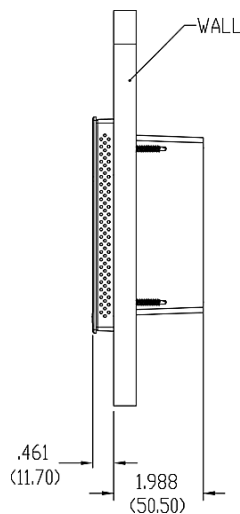


FIG. 42 MXD-701 Installation Dimensions (side view)

Notes:

- Dimensions in parenthesis are in millimeters.
- These drawings show a Landscape panel. The dimensions are the same for Portrait panels, except for the vertical orientation. Additional detailed installation and product drawings (for both Landscape and Portrait panels) are available to view/download at www.amx.com

Use the included Installation Template to ensure proper placement.

NOTE: Using the Installation Template to select the final placement of the Backbox is highly recommended. The outside edges of the template are the same dimensions as the touch panel, which allows you to troubleshoot possible conflicts with wall edges, doors, and other potential obstacles.

- The MXD-1001 uses Installation Template **68-5968-03**
 - The MXD-701 uses Installation Template **68-5968-04**
1. Prepare the area by removing any screws or nails from the drywall before beginning the cutout process.
 2. After ensuring proper placement, cut out the mounting surface for the Backbox, using the included Installation Template as a guide.

NOTE: Making sure the actual cutout opening is slightly smaller than the provided dimensions is highly recommended. This provides a margin for error if the opening needs to be expanded. Too little wall material removed is always better than too much.

3. Thread the incoming Ethernet and USB cables through the surface opening (FIG. 43 and FIG. 44). Note that these figures show a landscape panel but the installation of a portrait panel is essentially the same, other than the vertical orientation. Leave enough slack in the wiring to accommodate any re-positioning of the panel.

FIG. 43 shows the MXD-1001 Backbox installation:

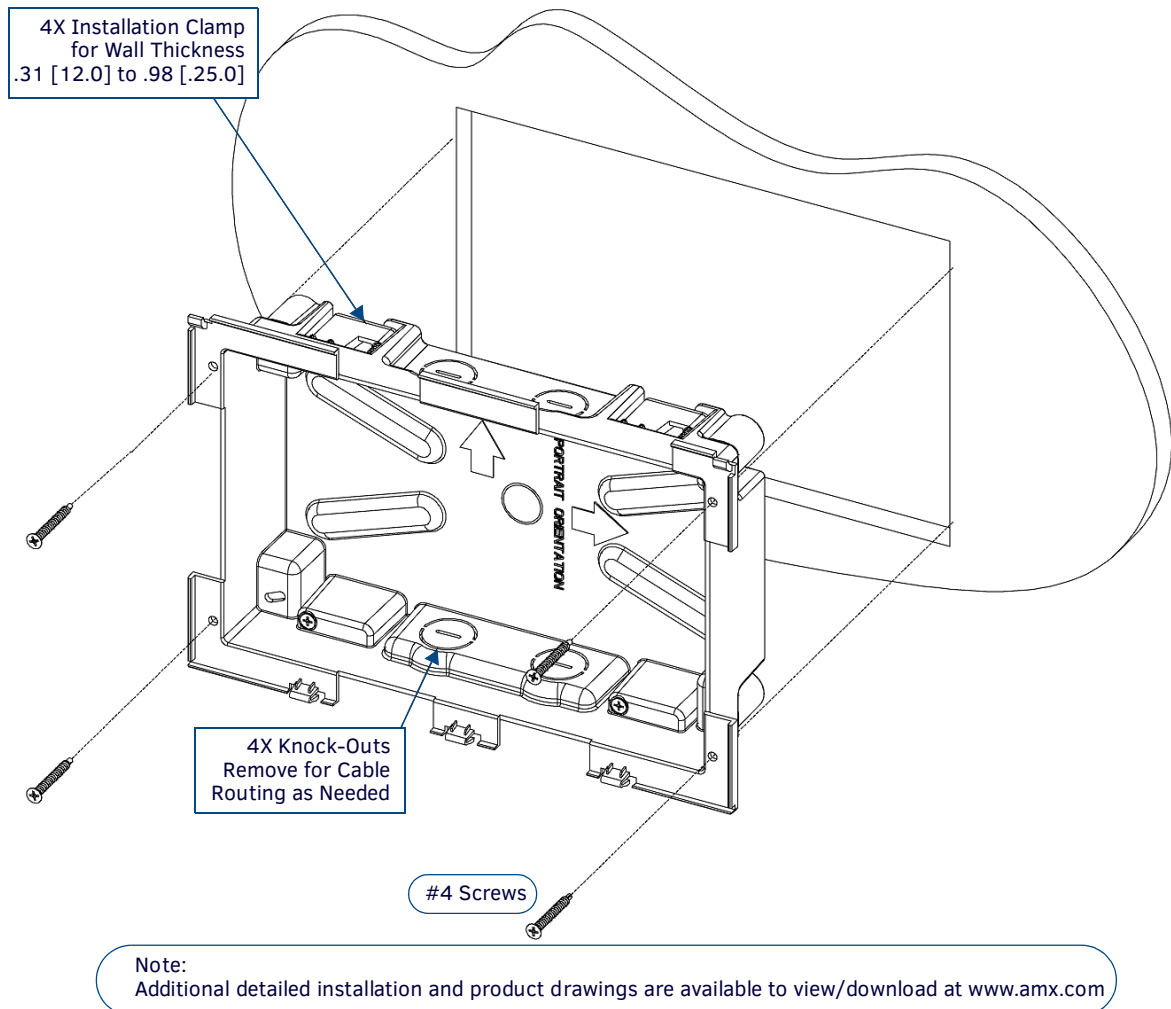


FIG. 43 MXD-1001 Backbox Installation (Landscape)

FIG. 44 shows the MXD-701 Backbox installation:

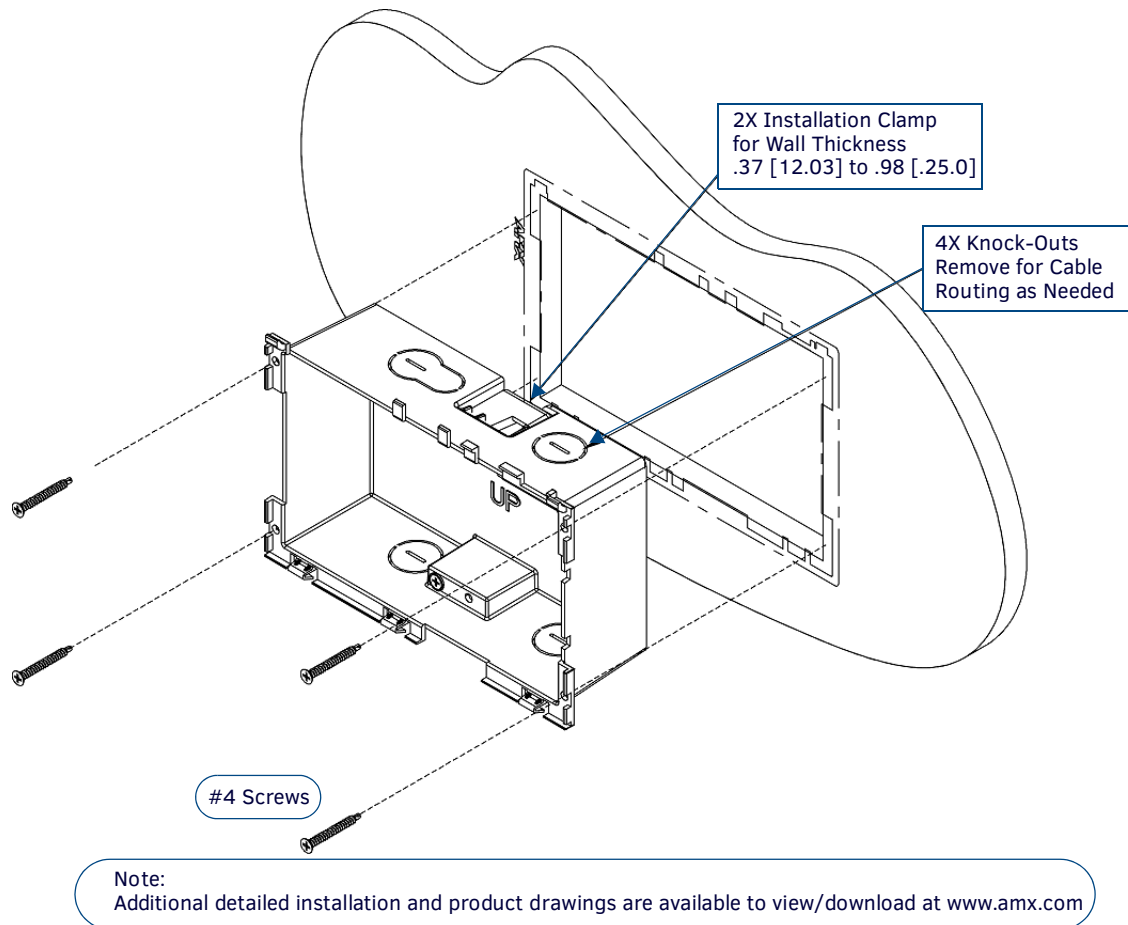


FIG. 44 MXD-701 Backbox Installation (Landscape)

4. Remove any knockouts as needed on either long dimension of the Backbox to facilitate incoming wiring and pull the wiring through the resultant holes.
5. Push the Backbox into the mounting surface. Insure that the locking tabs lie flush against the Backbox and that the Backbox goes freely into the opening.
6. Extend the locking tabs on the sides of the Backbox by tightening the screws inside the box until snug.

NOTE: The maximum recommended torque to screw in the locking tabs on the plastic Backbox is 5 IN-LB [56 N-CM]. Applying excessive torque while tightening the tab screws, such as with powered screwdrivers, can strip out the locking tabs or damage the plastic Backbox.

- Not all of the tabs must be extended to lock the Backbox in place, but extending a minimum of the top and bottom tabs is highly recommended.
 - Apply enough pressure to the screw head to keep the box flush with the wall: this ensures that the locking tabs will tighten up against the inside of the wall.
 - The Backbox is clear to allow visual confirmation that the tabs have been extended and are gripping the wall, as well as in assisting with removal if necessary.
 - For additional strength, #4 mounting screws (not included) may be secured through circular holes located at the left and right sides of the panel (FIG. 43, FIG. 44). In order to prevent damage to the touch panel, make sure that these are flush with the Backbox.
7. Insert each connector into its corresponding location along the back of the panel.
 - a. To reach the RJ45 connector, gently pull it from beneath the electronics cover.
 - b. Attach the Ethernet cable and gently push the connection back under the cover.

NOTE: Refer to the Power via PoE section on page 50 for details on PoE and Ethernet Cable Installation and Modification.
 8. Test the incoming wiring by attaching the panel connections to their terminal locations and applying power. Verify that the panel is receiving power and functioning properly to prevent repetition of the installation.

NOTE: Do not disconnect the connectors from the touch panel. The unit must be installed with the attached connectors before being inserted into the mounting surface.
 9. Latch the panel onto the hooks on the Backbox. Push in on the bottom snaps (Landscape) or on the right (Portrait) gently but firmly until the snaps “click” to lock it down (FIG. 45).

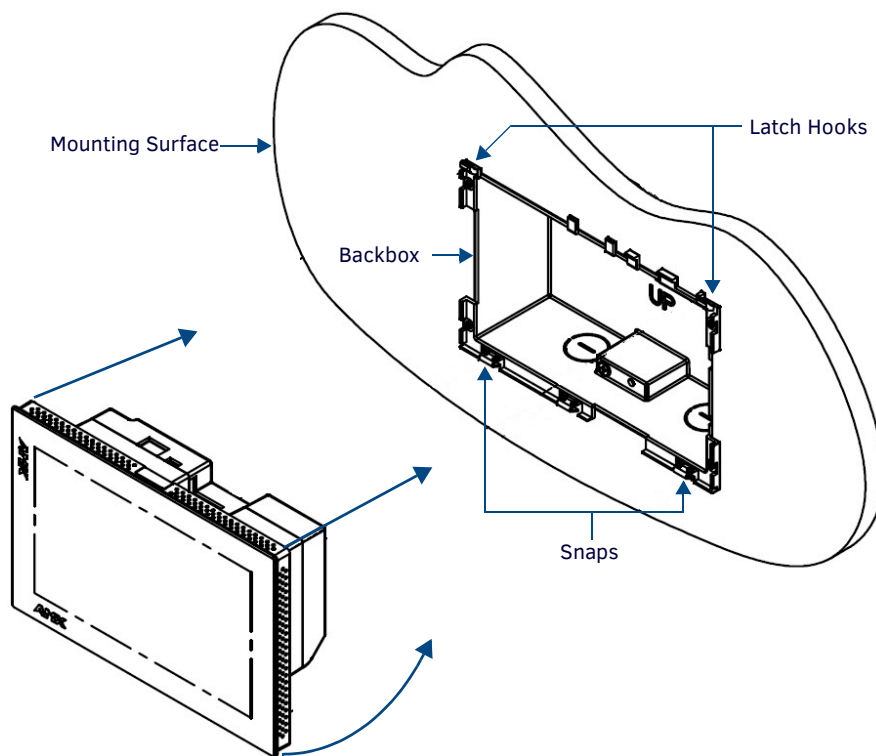


FIG. 45 Installing the MXD-1001 / MXD-701

NOTE: If a gap is observed between the panel and the Backbox, or feel any binding while locking down the panel, stop immediately and verify that no cables or other items are in the way. Do not force the panel into position, as this can cause damage to the touch screen or the panel electronics.

10. Reconnect the terminal Ethernet and USB cables to their respective ports.

Power via PoE

Power for the MXD-1001 and MXD-701 is supplied via PoE (Power Over Ethernet), utilizing an AMX-certified, capacitive touch-compliant PoE injector such as the PS-POE-AT High Power PoE Injector (**FG423-81**) or other approved AMX PoE power source. The incoming Ethernet cable should be connected to the RJ45 port on the cable attached to the device.

Ethernet Cable Installation and Modification

In tabletop installations where concealing the Ethernet cable is desired, a hole at least 1.00" (2.54 cm) in diameter is required in the surface to allow passage of the female RJ45 connector (FIG. 46). If using a smaller hole is unavoidable, you will need to disconnect the Ethernet cable (**ECA5968-05**) from the device, to feed the male end of the cable through.

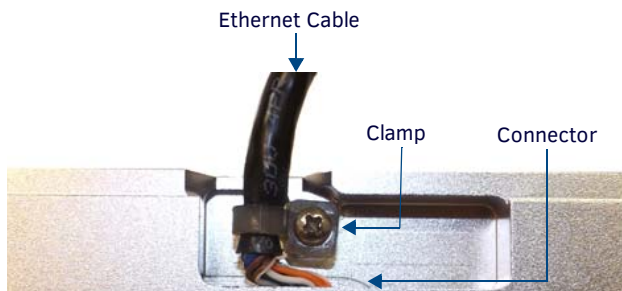


FIG. 46 Bottom of the MXT-701/1001

NOTE: The minimum diameter hole through which the Ethernet cable may pass is 0.50" (1.27 cm).

To disconnect and reconnect the Ethernet cable on the MXT-701 and MXT-1001 to allow use of a hole smaller than 1.00" in diameter:

1. On a soft surface, turn the MXT-1001 face-down to access the bottom of the device.
2. Remove the clamp holding the Ethernet cable (FIG. 46).
3. Remove the Ethernet cable connector and pull the cable out of the clamp.
4. Pass the Ethernet cable (**ECA5968-05**) through the hole, with the RJ45 connector on the other side of the installation surface from the device.
5. Press the Ethernet cable back into the clamp.
Do **NOT** tighten the clamp at this time.

6. Using a non-conductive item such as a wooden stick, reinsert the Ethernet cable connector into the device. Ensure that the connector is properly seated.
7. Tighten the clamp to secure the Ethernet cable.
Make sure the clamp is around the bundled black cable, not the individual wires.
8. Connect the RJ45 connector to its incoming Ethernet cable and apply power.

Uninstalling the MXD-1001

The MXD-1001 is held in place via latch hooks and clips in the Backbox.

In certain circumstances, such as firmware updates or other maintenance that requires accessing the device's USB or Micro-USB ports, the device may need to be removed from the Backbox.

The clips that lock down the MXD-1001's bottom edge (Landscape) or right edge (Portrait) may be unlatched in order to remove the device from the mounting surface.

Removing the MXD-1001 From Its Backbox

1. The MXD-1001 has three rows of ventilation holes along the molding (FIG. 47):

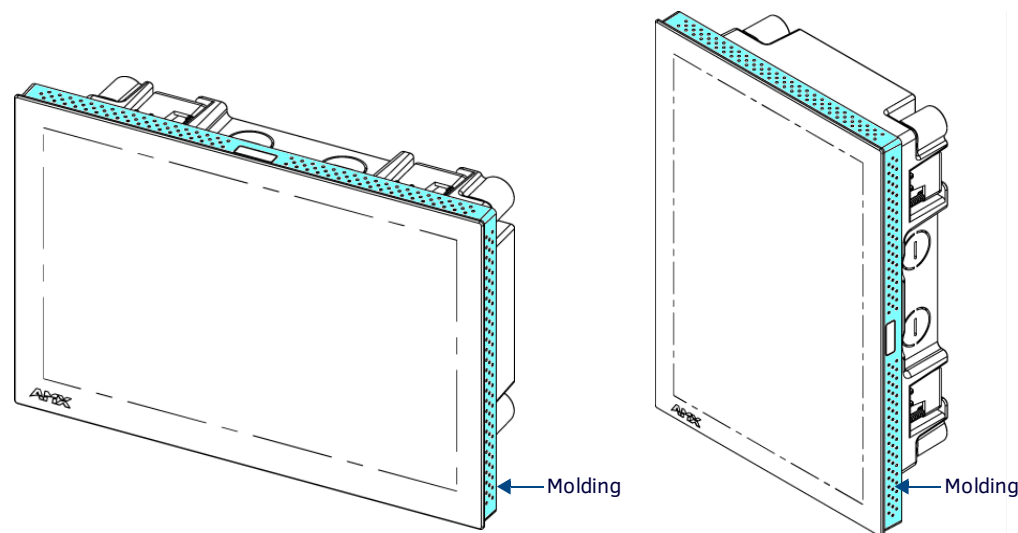


FIG. 47 MXD-1001 Molding (highlighted in blue)

2. On the bottom (Landscape) or right side (Portrait) of the MXD-1001, locate the **seventh and eighth** ventilation holes from each edge, on the row closest to the Backbox (FIG. 48):

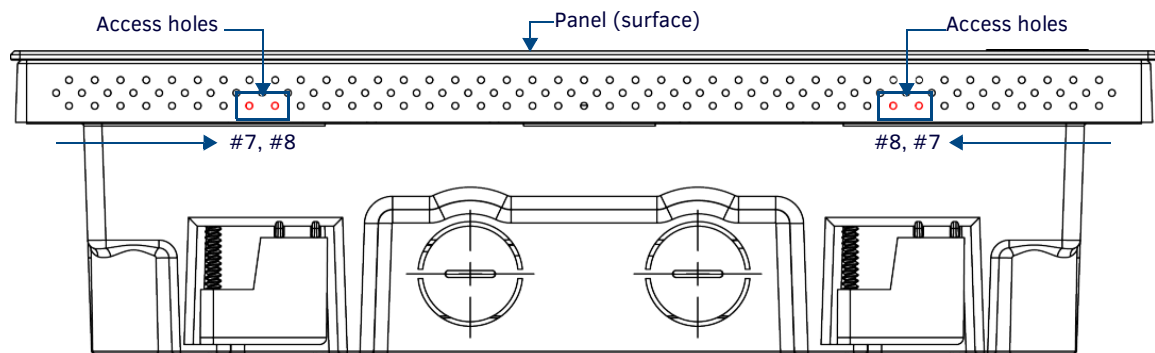


FIG. 48 Bottom View (Landscape) or Right-Side View (Portrait) of the MXD-1001 showing access holes in molding

3. With a stout, strong point (i.e. push pin or straightened paper clip), carefully press into the access holes in either end of the molding until the snap is disconnected.
To facilitate the disconnection, grasp the bottom of the panel (Landscape) or right side (Portrait) and pull gently outward until the side of the panel is free of the snap. Use your other hand to hold stable the front of the touch panel.
NOTE: Always pull on the frame of the touch panel. NEVER pull on the glass edge.
4. When the first side is free, repeat the process with the other.
5. With the edge of the touch panel free, carefully lift up and out (Landscape) or to the left and out (Portrait) to remove the touch panel from the Backbox. Be careful not to pull on the cables or connectors.
6. To reattach the panel to its Backbox, repeat the installation procedure.

NOTE: For further information, refer to the video available at www.amx.com (go to Newsroom > Videos > Touch Panels).

Uninstalling the MXD-701

The MXD-701 is held in place to the Backbox via latch hooks and clips on the Backbox.

In certain circumstances, such as firmware updates or other maintenance that requires accessing the device's USB port, the device may need to be removed from the Backbox. The clips that lock down the MXD-701's bottom edge (Landscape) or right edge (Portrait) may be unlatched in order to remove the device from the mounting surface.

Removing the MXD-701 From Its Backbox

1. The MXD-701 has three rows of ventilation holes along the molding (FIG. 47):

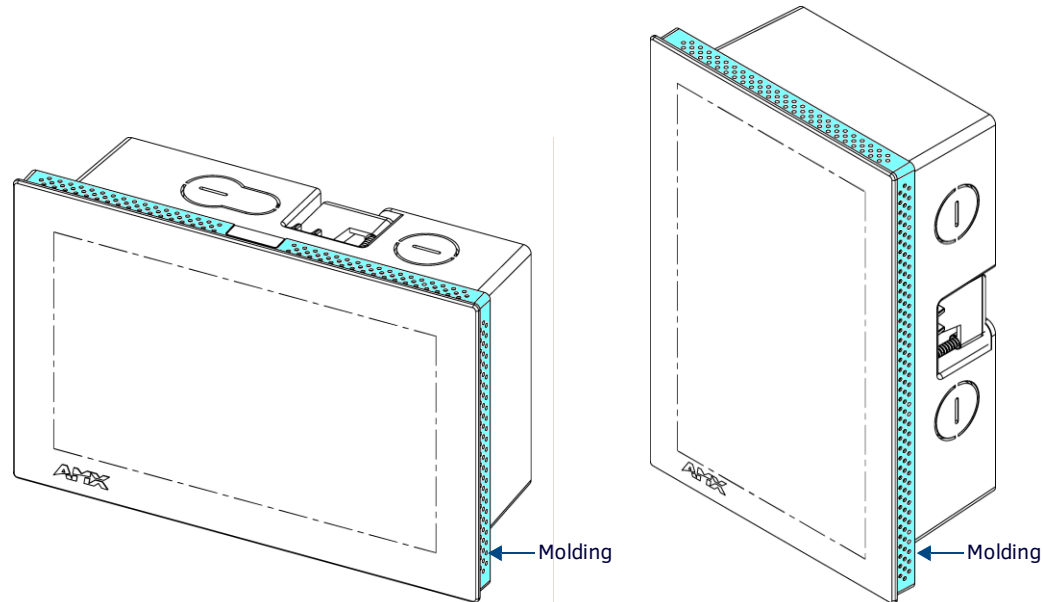


FIG. 49 MXD-701 Molding (highlighted in blue)

2. On the bottom (Landscape) or right side (Portrait) of the MXD-701, locate the **fifth** ventilation holes from each edge, on the row closest to the Backbox (FIG. 48):

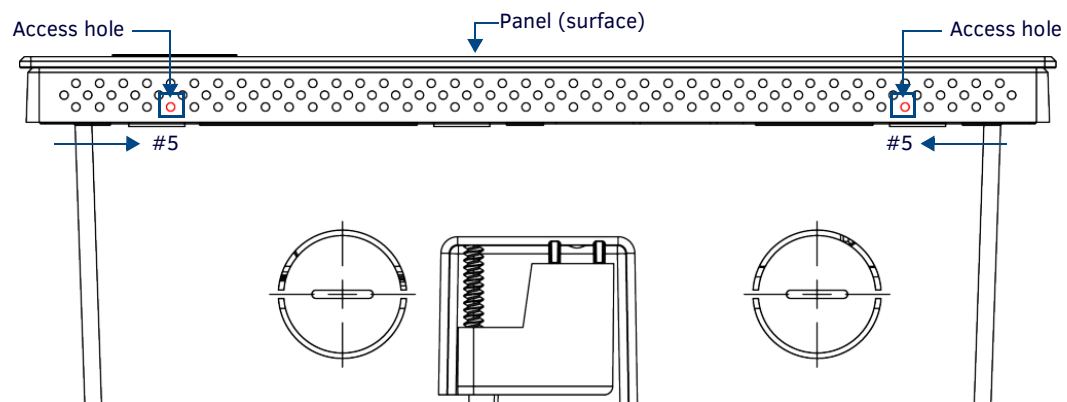


FIG. 50 Bottom View (Landscape) or Right-Side View (Portrait) of the MXD-701 showing access holes in molding

3. With a stout, strong point (a push pin or straightened paper-clip, for example), carefully press into the access holes in either end of the molding until the snap is disconnected.
To facilitate the disconnection, grasp the bottom of the panel (Landscape) or right side (Portrait) and pull gently outward until the side of the panel is free of the snap. Use your other hand to hold stable the front of the touch panel.
NOTE: Always pull on the frame of the touch panel. NEVER pull on the glass edge.
4. When the first side is free, repeat the process with the other.
5. With the edge of the touch panel free, carefully lift up and out (Landscape) or to the left and out (Portrait) to remove the touch panel from the Backbox. Be careful not to pull on the cables or connectors.
6. To reattach the panel to its Backbox, repeat the installation procedure.

NOTE: For further information, refer to the video available at www.amx.com (go to Newsroom > Videos > Touch Panels).

Appendix: Troubleshooting

Overview

This section describes the solutions to possible hardware/firmware issues that could arise during the common operation of a Modero X Series G5 touch panel.

Panel Doesn't Respond To Touches

Symptom: The device either does not respond to touches on the touch screen or does not register the touch as being in the correct area of the screen.

If the screen is off:

- *The device may be in Display Sleep Mode.* Press and hold the **Sleep** button to wake up the panel.
- *The device may not be connected to power.* Verify that the power source is connected to the device and receiving power.

Panel Isn't Appearing In The Online Tree Tab

1. Verify that the System number is the same on both the NetLinx Studio Project Navigator window and the System Settings page on the device.
2. Verify the proper NetLinx Master IP and connection methods entered into the Master Connection section of the *System Settings* page.

Can't Connect To a NetLinx Master

Symptom: I can't seem to connect to a NetLinx Master using NetLinx Studio.

Select *Settings > Master Comm Settings > Communication Settings > Settings (for TCP/IP)*, and uncheck the "Automatically Ping the Master Controller to ensure availability".

The pinging is to determine if the Master is available and to reply with a connection failure instantly if it is not. Without using the ping feature, a connection may still be attempted, but a failure will take longer to be recognized.

NOTE: *If you are trying to connect to a Master controller that is behind a firewall, you may have to uncheck this option. Most firewalls will not allow ping requests to pass through for security reasons.*

When connecting to a NetLinx Master controller via TCP/IP, the program will first try to ping the controller before attempting a connection. Pinging a device is relatively fast and will determine if the device is off-line, or if the TCP/IP address that was entered was incorrect.

If you decide not to ping for availability and the controller is off-line, or you have an incorrect TCP/IP address, the program will try for 30-45 seconds to establish a connection.

Only One Modero Panel In My System Shows Up

Symptom: I have more than one Modero panel connected to my System Master and only one shows up.

Multiple NetLinx Compatible devices can be associated for use with a single Master. If the user does not assign a device number, one will be assigned automatically to the panel. When using multiple panels, different Device Number values have to be assigned to each panel.

1. Press and hold the **Sleep** button to open the *Settings* menu.
2. Select the *NetLinx* menu, enter **1988** into the on-screen Keypad's password field, and press **Done** when finished.
3. Enter a Device Number value for the panel into the Device Number Keypad. The range is from 1 - 32000.



© 2015 Harman. All rights reserved. Modero X and Modero X Series, AMX, AV FOR AN IT WORLD, and HARMAN, and their respective logos are registered trademarks of HARMAN. Oracle, Java and any other company or brand name referenced may be trademarks/registered trademarks of their respective companies.

AMX does not assume responsibility for errors or omissions. AMX also reserves the right to alter specifications without prior notice at any time.

The AMX Warranty and Return Policy and related documents can be viewed/downloaded at www.amx.com.

3000 RESEARCH DRIVE, RICHARDSON, TX 75082

AMX.com | 800.222.0193 | 469.624.8000 | +1.469.624.7400 | fax 469.624.7153

Last Revised:
7/09/2015