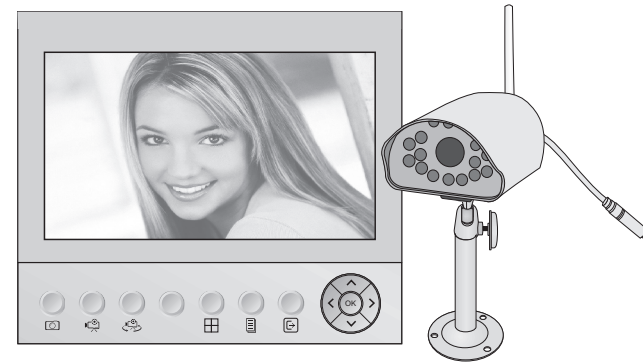


WIRELESS DIGITAL MONITOR DETECT VIDEO SYSTEM

With built-in SD card recorder



(M371TH)

(D816TH)

Installation and Operation Manual



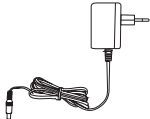
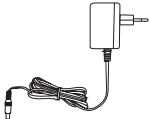



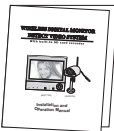
Product Overview

The basic functions of these models can be summarized as: Moving objects in the camera's field of vision, are automatically (or manually) set to record or take photos of the images and stored in SD card. It can be widely used in homes, offices, small supermarkets, etc.

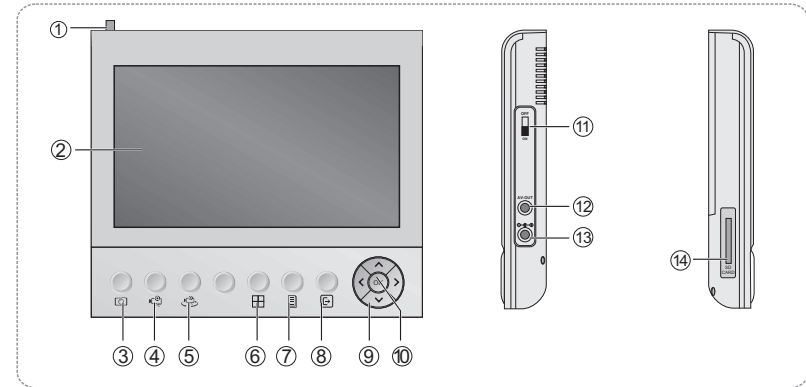
Installation environment

- ▶ Keep away from heat sources and high-temperature places
- ▶ Avoid direct sunlight
- ▶ Keep away from humid places
- ▶ Avoid violent vibration
- ▶ Be installed in ventilated environment

Packing list

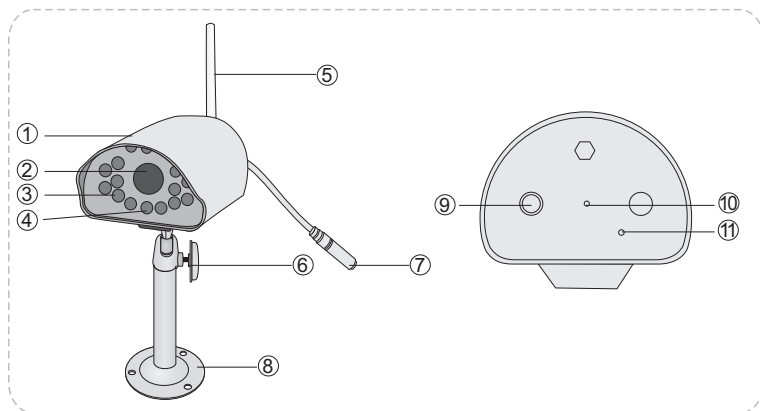
			
X1	X1	X1	X1
			
X3	X3	X1	X1

Button Functions of monitor



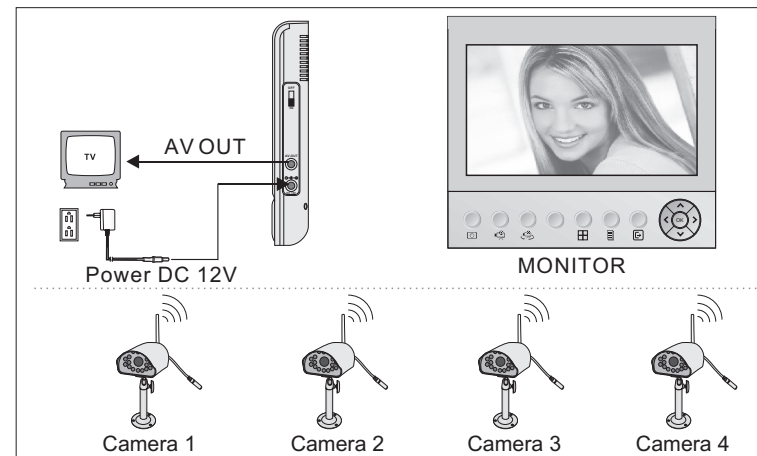
NO	Description	Function
1	Antenna	Pull out for better quality
2	7" LCD	Identify Visitor
3	Take photo	Press the button will take a photo.
4	Recording	Press the button start to recording ,press again then stop the recording. Under the playback mode, press the button to enter into delete dialog
5	Switch the camera	Switching the input channel
6	Quad	Switching display mode, under the quad mode, press the button switching the input channel, That the icon is displayed blue background for current channel.
7	MENU	Enter to main menu setting
8	Exit	Exit to previous menu
9	Direction key	Menu features adjustment
10	OK	Confirm key
11	ON / OFF	Power ON/OFF
12	AV-OUT	AV output Jack
13	DC input	DC 12V input Jack
14	SD CARD	Insert SD card to store files or player the file .

Button Functions of camera



NO	Description	Function
1	Rain cover	Waterproof
2	Camera Image Sensor	Transmit picture to Receive
3	Infrared LED	Infrared Light enables working in the dark
4	Photosensitive diode	Control infrared light
5	Antenna	Adjust its Angle According Picture Clarity
6	Camera angle adjust screw	Adjust Angle of Camera
7	DC In	Power Jack
8	Camera Bracket Base	Connecting Role
9	Match Code Button	Click it Automatic adjustment of coding
10	indicator LED	After Turn On ,The LED Will Light
11	Microphone	Monitor Around Voice

Connection



Operation

1. Recording

Recording manually

If it is not recording, press button, then it begins recording. The recorded time is also displayed. Press button again, then recording stops.

Motion detection record

If motion detection recording turn on, when system detects the motion in the motion detection area, it begins to record about 15 seconds..

! NOTICE In quad mode, Manual video recording is only on the current channel . That the icon is displayed blue background for current channel. In quad mode, can not listen to the sound.

2.Take photo

Photograph manually

Press button, then it will take a photo.

! NOTICE In quad mode, Manual take photo is only on the current channel . That the icon is displayed blue background for current channel.

Motion detection photograph

If motion detection photograph turn on, when system detects the motion in the motion detection area, it will take a photo.

3. Adjustment the sound

Under the monitor status ,press or button adjust it.

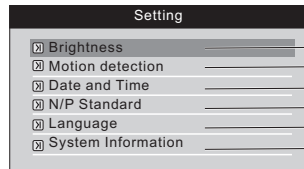
4. System setting

Press the button will pip up system setting menu.



4.1 Setting

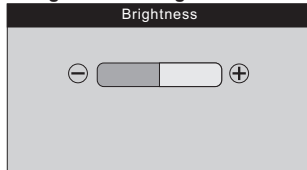
Press the button to select icon, then press the button will pip up the menu.



- 4.1.1 Brightness Setting
- 4.1.2 Monitor Detection Sensitivity Setting
- 4.1.3 Date and Time Setting
- 4.1.4 N/P Standard
- 4.1.5 Language Setting
- 4.1.6 System Information

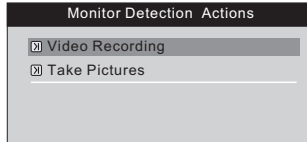
Press the or button to select submenu.
Press the button to confirm the select.

4.1.1 Brightness Setting



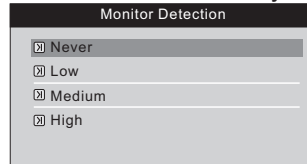
1. Press the button to adjust it.
2. Press the button to confirm the set.
3. Press the button to setup return.

4.1.2.2 Monitor Detection Action Setting



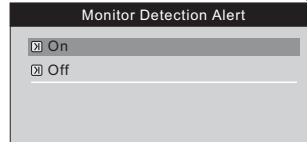
1. Press the or or button to select Motion Detection > action item
2. Press the or button to select take picture/video recording .
3. Press the button to confirm the select
4. Press the button to setup return.

4.1.2.1 Monitor Detection Sensitivity Setting



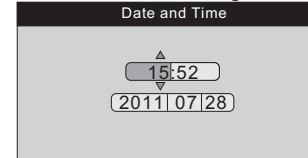
1. Press the or or button to select Motion Detection > Motion Detection item
2. Press the or button to select Never/Low/Medium/High.
3. Press the button to confirm the select.
4. Press the button to setup return.

4.1.2.3 Monitor Detection Alert Setting



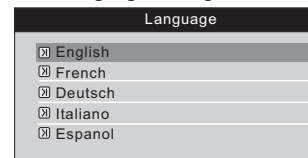
1. Press the or or button to select Motion Detection > alert item
2. Press the or button to select on/off
3. Press the button to confirm the select.
4. Press the button to setup return.

4.1.3 Date and Time Setting



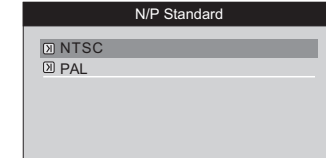
1. Press the or button to select options
2. Press the or button to adjust it.
3. Press the button to confirm.
4. Press the button to setup return.

4.1.5 Language Setting



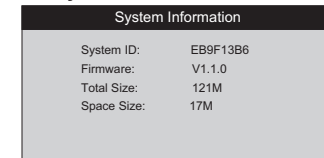
1. Press the or button to select language
2. Press the button to confirm the select.
3. Press the button to setup return.

4.1.4 N/P Standard



1. Press the or button to select options
2. Press the button to confirm the select.
3. Press the button to setup return.

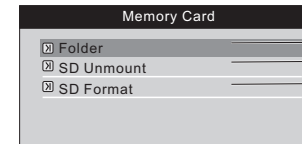
4.1.6 System Information



Press the button to setup return.

4.2 Memory Card

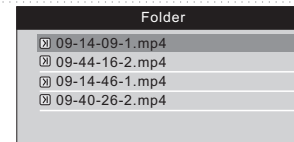
Press the button to select icon, then press the button will pip up the menu.



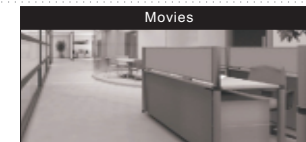
- 4.2.1 Folder
- 4.2.2 SD Unmount
- 4.2.3 SD Format

Press the or button to select submenu.
Press the button to confirm the select.

4.2.1.1 Player the movies file

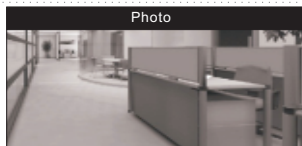
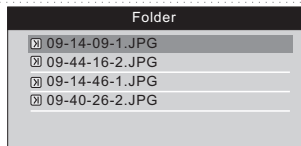


1. Press the or or button to select Folder > movies
2. Press the or button to select file
3. Press the button to player the file. Press the button again, then return to the previous menu
4. Press the button to go into delete dialog box.
5. Select YES to delete this file.
6. Select NO to give up delete this photo.
7. Press the button to setup return.



1. Press the or button to select previous /next the file.
2. Press the button Loop play, press again then cancel the loop.
3. Press the or button to adjust the volume
4. Press the button to setup return.

4.2.1.2 Player the photo file



1. Press the **▲** or **▼** or **OK** button to select Folder > photo
2. Press the **▲** or **▼** button to select file
3. Press the **OK** button to player the file. Press the **OK** button again, then return to the previous menu
4. Press the **DEL** button to go into delete dialog box.
5. Select YES to delete this file.
6. Select NO to give up delete this photo.
7. Press the **HOME** button to setup return.

1. Press the **▲** **▼** **◀** **▶** button to select previous /next the file.
2. Press the **REPEAT** button Loop play, press again then cancel the loop.
3. Press the **HOME** button to setup return.

NOTICE The file name of - * means that input channel, For example: - 1, express that it is 1 channel input.

4.2.2 SD Unmount



Press the **◀** or **▶** button to select YES or No
Press the **OK** button to confirm the select.

Select "YES". At boot status can be inserted or pull out the SD card. Select "NO". Then can not inserted or pull out the SD card.

4.2.3 SD Format

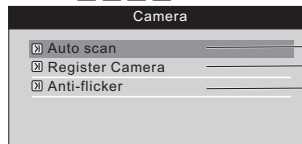


Press the **◀** or **▶** button to select YES or No
Press the **OK** button to confirm the select.

NOTICE Formatting will delete all the files in storage medium

4.3 Camera

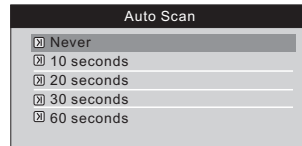
Press the **▲** **▼** **◀** **▶** button to select **CAM** icon, then press the **OK** button will pip up the menu.



- 4.3.1 Auto Scan
- 4.3.2 Registration Camera
- 4.3.3 Anti-Flicker

Press the **▲** or **▼** button to select submenu.
Press the **OK** button to confirm the select.

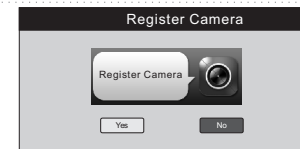
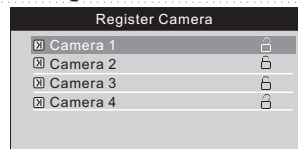
4.3.1 Auto Scan



1. Press the **▲** or **▼** button to select Never/10 seconds /20 seconds/30 seconds/60 seconds
2. Press the **OK** button to confirm select.
3. Press the **HOME** button to setup return.

NOTICE When has registered multiple camera, it will automatically switch according to the set time

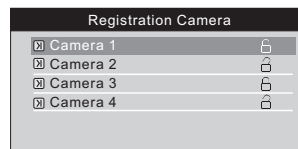
4.3.2 Registration Camera



1. Press the **▲** or **▼** button to select camera
2. Press the **OK** button to confirm select. And pip-up interface of Register Camera?

1. Select the **Yes** icon and press **OK** button to registration camera,
2. Turn on the camera and click the match code button.
3. If the register is successful, the interface will be shown Camera Registered;
4. If the register fail, the interface will be showed Operation Failed, then need to re-register.

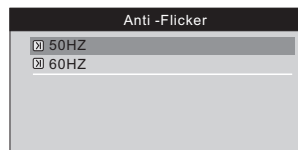
Unregister of Camera



1. Press the **▲** or **▼** button to select has been registered camera.
2. Press the **OK** button to confirm select. And pip-up interface of Unregister Camera?

1. Select YES to unregister camera.
2. Select NO to give up unregister camera.

4.3.3 Anti-Flicker



Press the **▲** or **▼** button to select 50HZ or 60HZ
Press the **OK** button to confirm the select.

NOTICE

If the LCD image displays regular stripe, please revise it by adjusting 50/60Hz.

4.4 Monitor

Press the **▲** **▼** **◀** **▶** button to select **MON** icon, then press the **OK** button switch to monitor status.

Specifications

General	Operating Frequency	2.4GHz
	Transmission rate	25fps(only for with effective distance)
	Unobstructed Effective Range	100m(Min.)
	Operating Temperature	-10°C~ +50°C/ +14°F~+122°F
	Storage Temperature	-20°C~ +60°C/+14°F~+140°F
	Operating Humidity	≤85%RH
Camera	Imaging Sensor Type	CMOS
	View Angle	45°
	Supply Voltage	DC 5V---1A
	Consumption Current	300 ± 100mA
	Weight	300g
Monitor	Supply Voltage	12V--- 1A
	Consumption Current	400± 100mA
	Image format	JPEG
	Video format	Mp4
	SD card	SDHC (2GB~32GB)
	Video System	PAL/NTSC
	Weight	140g

Warning

This device complies with part 15 of the FCC Rules and Industry Canada licence-exempt RSS standard (s). Operation is subject to the following two conditions:

(1) This device may not cause harmful interference, and (2) this device must accept any interference received, including interference that may cause undesired operation.

Any Changes or modifications not expressly approved by the party responsible for compliance could void the user's authority to operate the equipment.

Note: This equipment has been tested and found to comply with the limits for a Class B digital device, pursuant to part 15 of the FCC Rules. These limits are designed to provide reasonable protection against harmful interference in a residential installation. This equipment generates uses and can radiate radio frequency energy and, if not installed and used in accordance with the instructions, may cause harmful interference to radio communications. However, there is no guarantee that interference will not occur in a particular installation. If this equipment does cause harmful interference to radio or television reception, which can be determined by turning the equipment off and on, the user is encouraged to try to correct the interference by one or more of the following measures:

--Reorient or relocate the receiving antenna.

--Increase the separation between the equipment and receiver.

--Connect the equipment into an outlet on a circuit different from that to which the receiver is connected.

--Consult the dealer or an experienced radio/TV technician for help.

This transmitter must not be co-located or operating in conjunction with any other antenna or transmitter.

FCC Radiation Exposure Statement:

This equipment complies with FCC radiation exposure limits set forth for an uncontrolled environment.

This equipment should be installed and operated with minimum distance 20 cm between the Radiator & your body .



1. We will maximize to provide more accurate information. There are only small differences between the pictures of description and the actual product relating to the specification, appearance and color, to offer subject to the actual product.
2. If need be, our products and related data are constantly updated and new elements added. This amendment can be changed without notice.