

# iBall BOOSTER BTH

5.1 COMPUTER MULTIMEDIA SPEAKER with USB/SD/FM



## User Manual

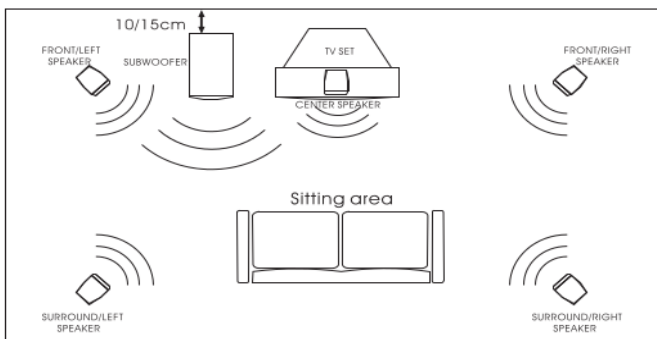
Thank you for purchasing the Booster USB/ SD, speaker system from iBall, Your Booster USB/ SD speakers produce great sound and are easy to use. To discover more iBall Products, or if you have questions about your speaker, contact us on the web at [www.iBall.co.in](http://www.iBall.co.in) or write to [support@iball.co.in](mailto:support@iball.co.in)

### PACKAGE CONTENTS

Subwoofer Speaker	1 pc
Center Speaker	1 pc
Front Speaker	2 pcs
Surround Speaker	2 pcs
Remote Control	1 pc
User Manual	1 pc
Stereo to RCA Cable	3 pc
RCA to RCA Cable	3 pc
AAA Batteries	2 pc

### PLACEMENT OF THE SPEAKERS

You can put the speaker of your new surround set onto a stable and flat surface. The position of the subwoofer should be close to a properly wired mains wall outlet. Any openings in the housing or heat sinks support the units cooling and must not be covered. To ensure proper air circulation the subwoofer must not be set up behind net curtains etc.



### SAFETY PRECAUTION



**WARNING:**  
To prevent fire or shock hazard, do not expose the unit to rain or moisture.

\*Note: This product is for indoor use only.



The lightning flash with arrowhead symbol, within an equilateral triangle, is intended to alert the user to the presence of uninsulated "dangerous voltage" within the product's enclosure that may be of sufficient magnitude to constitute a risk of electric shock.



The exclamation point within an equilateral triangle is intended to alert the user to the presence of important operating and maintenance (servicing) instructions in the literature accompanying the product.

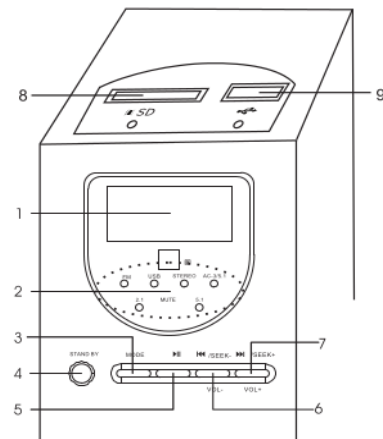
### IMPORTANT SAFETY INSTRUCTIONS

- 1) Read these instructions before using the product.
- 2) Read all warnings carefully.
- 3) Follow all instructions carefully.
- 4) Do not use this apparatus near water.
- 5) Clean only with dry cloth.
- 6) Do not block any ventilation openings. Install in accordance with the manufacturer's instructions.
- 7) Do not install near any heat sources such as radiators, heat registers, stoves, or other apparatus (including amplifiers) that produce heat.
- 8) Do not defeat the safety purpose of the polarized or grounding-type plug. A polarized plug has two blades with one wider than the other. A grounding type plug has two blades and a third grounding prong. The wide blade or the third prong are provided for your safety. If the provided plug does not fit into your outlet consult an electrician for replacement of the obsolete outlet.
- 9) Protect the power cord from being waled on or pinched particularly at plugs convenience receptacles, and the point where they exit from the apparatus.
- 10) Only use attachments/accessories specified by the manufacturer.
- 11) Use only with the cart, stand, tripod, bracket, or table specified by the manufacturer, or sold with the apparatus. When a cart is used, use caution when moving the cart/apparatus combination to avoid injury from tip-over.



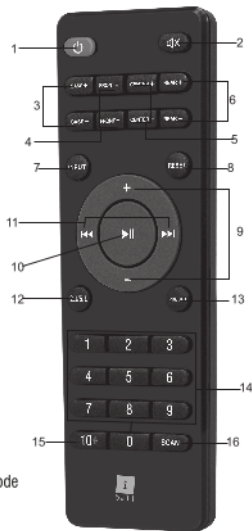
- 12) Unplug this apparatus during lightning storms or when unused for long periods of time.
- 13) Refer all servicing to qualified service personnel. Servicing is required when the apparatus has been damaged in any way, such as power-supply cord or plug is damaged, liquid has been spilled or objects have fallen into the apparatus, the apparatus has been exposed to rain or moisture, does not operate normally, or has been dropped.

### DESCRIPTION OF THE SUBWOOFER CONTROL PANEL



1. **DISPLAY SCREEN**
2. **OPERATION LED INDICATOR**
3. **STANDBY:** To switch the speaker between stand-by and operational mode
4. **MODE:** To select from AUX, DVD 5.1, USB, SD, FM or Bluetooth mode
5. **▶|| (PLAY/PAUSE):**
  - a. **FM mode:** Single press to select next pre-saved FM channel and long press to auto scan and save available FM channels
  - b. **USB/SD/Bluetooth mode:** To Play/Pause the speaker system (USB/SD/MMC/Bluetooth mode)
6. **◀◀ (PREV/SCAN-/VOL-):**
  - a. **FM mode:** Single press to select Previous FM channel; long press to decrease the volume level
  - b. **USB/SD/Bluetooth mode:** Single press to select Previous track; long press to decrease the volume level
7. **▶▶ (NEXT/SCAN+/VOL+):**
  - a. **FM mode:** Single press to select Next FM channel; long press to increase the volume level
  - b. **USB/SD/Bluetooth mode:** Single press to select Next track; long press to Increase the volume level
8. **SD / MMC Slot:** To connect SD/MMC Card as audio source
9. **USB Slot:** To connect USB pen drive as audio source

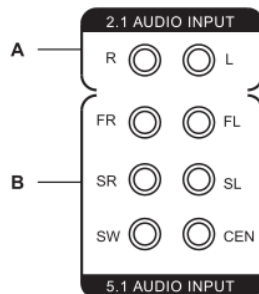
## DESCRIPTION OF THE REMOTE CONTROL



1. **STAND-BY**: To switch the speaker between stand-by and operational mode
2. **MUTE**: To turn On/Off the Volume of the speaker system
3. **BASS +/-**: Press this button for SUBWOOFER bass level adjustment
4. **FRONT +/-**: Press this button for FRONT SPEAKER volume level adjustment
5. **CENTER +/-**: Press this button for CENTER SPEAKER volume level adjustment
6. **REAR +/-**: Press this button for REAR SPEAKER volume level adjustment
7. **INPUT**: To select from AUX, DVD 5.1, USB, SD, FM or Bluetooth mode
8. **RESET**: Restore the speaker to default setting
9. **VOL +/-**: Press this button for master volume level adjustment
10. **▶|| (PLAY/PAUSE)**: To Play/Pause the speaker system (USB/SD/MMC/Bluetooth mode)
11. **◀◀ / ▶▶ (PREV/NEXT)**:
  - a. **FM mode**: Single press to select Previous/Next FM frequency; Long press to get Previous/Next available FM channel
  - b. **USB/SD/Bluetooth mode**: Single press to select Previous/Next track
12. **2.1 / 5.1**: To switch between 2.1 or 5.1 output mode
13. **PRESET**: To select next pre-saved FM channel
14. **NUMERIC KEYS (0-9)**: Press this buttons or combination of these buttons to jump to respective song and FM frequency
15. **10+**: Press this button to jump songs in the interval of 10
16. **SCAN**: To auto scan and save available FM channels

5

## DESCRIPTION OF THE REAR SIDE OF THE SUBWOOFER

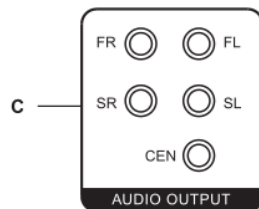


### A: 2.1 AUDIO INPUT

**STEREO INPUT**  
These jacks are used to receive the STEREO signal from a CD/ VCD/ DVD/ PC/ Laptop (2CH) player

### B: 5.1 AUDIO INPUT

**5.1 INPUT**  
These jacks are used to receive the 5.1 signal from a DVD/ PC(5.1CH) player



### C: SPEAKERS OUTPUT

- CEN: Center channel output terminal
- SL: Surround-left channel output terminal
- SR: Surround-right channel output terminal
- FL: Front-left channel output terminal
- FR: Front-right channel output terminal

### D: FM Antenna

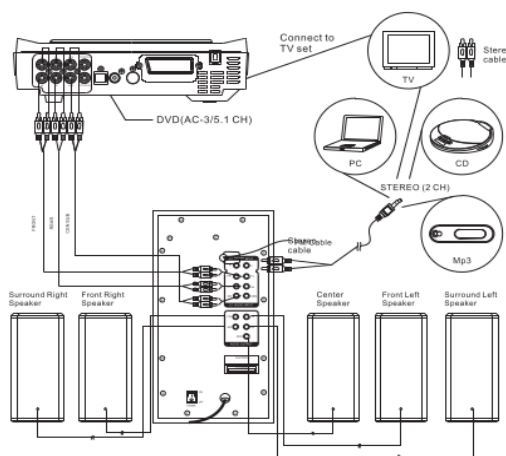
### E: AC POWER

- MAIN POWER: To turn on/ off the speaker
- AC IN: AC Power Cord

6

## CONNECTION

To prevent malfunction and/ or damage to the speakers or other connected equipment, please do all the connections while the units are switched off. Please take care to connect the Red connector cable to Red and White connector to white in subwoofer. Otherwise the sound will not be proper and the main unit or the speakers may be damaged.



1. Make sure the power is off before doing any wiring connection.
2. If the stereo input is selected, please make sure it is 2 channels output from the source player. If 5.1CH output is selected from source player might result poor sound quality output.
3. The proper combination of input & output mode (both the speaker & the source player i.e: CD, VCD, DVD player) will produce optimized sound quality.

7

## SYSTEM OPERATION

### ON/ OFF

Switch ON the main power from AC outlet and the Subwoofer rear panel. After switching ON, the speaker will enter in to STANDBY mode. Press the STANDBY button on Subwoofer or remote control to enter in the operational mode. Switch OFF the main power switch from AC outlet if not used for long period

### SELECT INPUT MODE

Press the INPUT button on remote control or Mode button on the front panel of the subwoofer, to choose the desired input: STEREO/ 2CH, 5.1CH, USB, SD/ MMC, FM or Bluetooth mode

NOTE: Please select STEREO input if the source supply is playing CD, Mp3, PC, TV or VCD disc for better sound quality

### SELECT OUTPUT MODE

Press 2.1/ 5.1 button on the remote control, to select the listening mode 5.1CH, 2.1CH. If you have selected the 5.1CH input naturally you can't activate the 2.1CH mode.

### VOLUME ADJUSTMENT

You can set overall volume by either using the volume +/- buttons on the remote control. Press the Volume + button to increase the volume, press Volume - button to decrease the volume. To adjust the loudness ratio between the speakers during normal operation please follow like this:

- Push Center +/- buttons on the remote control, to adjust the center speaker loudness
- Push Front +/- buttons on the remote control, to adjust the front speaker loudness
- Push Rear +/- buttons on the remote control, to adjust the rear speaker loudness
- Push Bass +/- buttons on the remote control, to adjust the subwoofer loudness

### MUTE

Press the Mute button on remote control, to silence the sound. Press mute again, for normal operating mode.

### RESET

If you want to restore the speaker's volume to default factory setting, press the reset button on the remote control

8

## FM

Press Input button on remote or Mode button on Speaker to get into FM mode.

### a. AUTO SCAN:

- Through Speaker – In FM mode long press Play/Pause button on Speaker to auto scan and save all the available FM channels.
- Through Remote – In FM mode press SCAN button to Auto scan and save all the available FM channels.

### b. MANUAL SCAN:

- Through Remote – Single press Next/Previous button to select next/previous FM Frequency; Long press Next/Previous button to get next/previous available FM channel.
- Direct Frequency select – Press the numeric keys combination to select desired existing FM channel. E.g.: If you directly wish to play 91.1 FM channel than simply press 911 on Remote.

### Note:

- Please raise the FM antenna to get clear FM reception
- Once you have saved all the FM channels you can navigate through them by Preset+/- button.
- The quality of FM radio depends on FM reception in your area

## BLUETOOTH

Press Input button on remote or Mode button on Speaker to get into Bluetooth mode.

- Once the speaker is in Bluetooth mode, it will indicate with beep sound and will automatically get into pairing mode.
- Now switch on the Bluetooth in your mobile and search for speaker, It will be detected as "iBall Booster", once the device is found connect it and you can play music wirelessly.
- There is no need to connect the mobile every time you switch on the speaker in Bluetooth mode, the speaker will search for the previously paired device and pairing will take effect on its own.  
(If in case the connection fails, please restart the speaker and bluetooth of device and try the above steps once again)

**Note:** Not all mobile phones may support all the above mentioned bluetooth functions

## FEATURES

- Stream music wirelessly through any Bluetooth® enabled devices
- Advanced Bluetooth® 4.0 Technology - high quality audio transmission
- 5.1 Multimedia speakers with Digital touch buttons
- High power output and Low distortion circuit
- Multiple Input Options - 5.1 / 2.1 / USB / SD
- Clear FM radio reception
- Digital LED display
- Full functional Remote Control with direct track selection
- Individual channel volume control
- Full wood speakers for deep and pure sound

## SPECIFICATIONS

- Bluetooth® Version - Ver. 4.0
- Total Peak Output - 240W
- Frequency response - 20Hz~20kHz
- Driver Unit - 5.25" (Woofer), 3" (Satellite)
- Output RMS\* - 45W (Woofer), 15W (Each Satellite)
- S/N Ratio - > =75dB
- Separation - > =45dB

### Inputs

- 5.1 Channel
- AUX (2.1CH Stereo)
- USB
- SD / MMC

### Dimensions

- Subwoofer: 16(W) x 31.5(H) x 31(D) cm
- Satellite: 9(W) x 20(H) x 10.5(D) cm

[www.iBall.co.in](http://www.iBall.co.in)

**Note:** For any technical help on iBall products write to [support@iball.co.in](mailto:support@iball.co.in)

• The Bluetooth® word mark and logos are registered trademarks owned by Bluetooth SIG, Inc. and any use of such marks by iBall is under license • Product specification are subject to change without notice. • All trademarks, logos brands & products names are properties of their respective owners. • Warranty: All iBall products are governed by iBall warranty terms. Refer [www.iBall.co.in](http://www.iBall.co.in) • This product falls under e-waste (Management & Handling) Rules, 2011. For proper disposal method, visit our website ([www.iBall.co.in/e-waste](http://www.iBall.co.in/e-waste)) • For any technical help on iBall products, please contact [support@iball.co.in](mailto:support@iball.co.in)



Your eyeball view.  
Our technology new.

## FCC WARNING:

This device complies with part 15 of the FCC Rules. Operation is subject to the following two conditions: (1) This device may not cause harmful interference, and (2) this device must accept any interference received, including interference that may cause undesired operation.

Any Changes or modifications not expressly approved by the party responsible for compliance could void the user's authority to operate the equipment.

**Note:** This equipment has been tested and found to comply with the limits for a Class B digital device, pursuant to part 15 of the FCC Rules. These limits are designed to provide reasonable protection against harmful interference in a residential installation. This equipment generates uses and can radiate radio frequency energy and, if not installed and used in accordance with the instructions, may cause harmful interference to radio communications. However, there is no guarantee that interference will not occur in a particular installation. If this equipment does cause harmful interference to radio or television reception, which can be determined by turning the equipment off and on, the user is encouraged to try to correct the interference by one or more of the following measures:

- Reorient or relocate the receiving antenna.
- Increase the separation between the equipment and receiver.
- Connect the equipment into an outlet on a circuit different from that to which the receiver is connected.
- Consult the dealer or an experienced radio/TV technician for help.