

Bluetooth Boombox Speaker



INSTRUCTION MANUAL

**PLEASE READ ALL INSTRUCTIONS CAREFULLY
AND RETAIN FOR FUTURE USE**

Getting started

- Remove the Bluetooth Boombox Speaker & accessories from the box.
- Remove all packaging from the Bluetooth Speaker.
- Place the packaging inside the box to either store or dispose of safely.

In the Box

- Bluetooth Boombox Speaker
- AUX Cable
- USB Charging Cable
- Instruction Manual

Features

- Enjoy music wirelessly.
- Easy to switch between calls and music, you will not miss the incoming call whilst listening to music.
- Answer & end a call at click of a button.
- Every time the speaker is turned on, it connects to last connected device automatically.

Safety Instructions

Keep the unit away from heat sources, direct sunlight, humidity, water and any other liquids.

Do not operate the unit if it has been exposed to water, moisture or any other liquids to prevent against electric shock, explosion and/or injury to yourself and damage to the unit.

Do not use the unit if it has been dropped or damaged in any way.

Repairs to electrical equipment should only be performed by a qualified electrician. Improper repairs may place the user at serious risk.

Do not use the unit with wet hands.

Do not put objects into any of the openings.

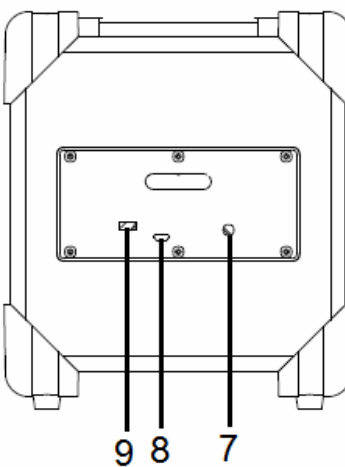
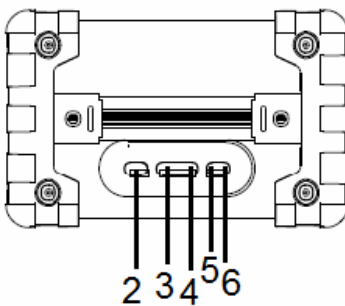
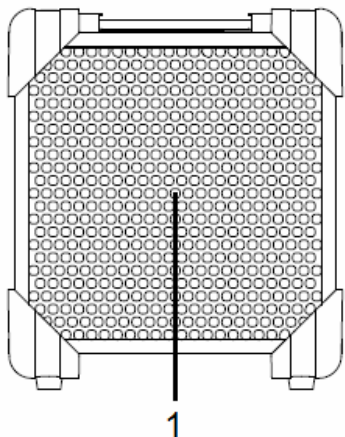
Keep the unit free from dust, lint etc.

Do not use this unit for anything other than its intended use.

Keep the unit out of reach of children.

This product is not a toy.

Description of Parts



1	Speaker
2	Play / Pause
3	Previous Track / Volume -
4	Next Track / Volume +
5	LED indicator
6	Call Answer Button
7	AUX-IN
8	Mini USB Charging Port (DC 5V)
9	Power On / Off

INSTRUCTIONS FOR USE

Charging Instructions

The speaker comes with a built in rechargeable battery. Before using it for the first time we recommend you charge the battery fully.

Connect the USB cable to a computer USB port and the Mini USB plug to the charging port of the speaker. The Red LED illuminates while the speaker is being charged. It takes around 3 hours for the unit to fully charge. When the battery is fully charged the red LED will turn off. When the battery is low, an indication tone (only at Bluetooth paired mode) will alert you. When this occurs, please charge the speaker.

Turning on/off the speaker

There is an on/off switch at the back of the speaker. You can turn on/off the speaker with this switch. In order to save power, put the switch to off position when the speaker is not in use.

Pairing the speaker with Bluetooth devices (phone or music device)

Switch on the speaker.

Place the speaker and Bluetooth device (phone or music device) so that they are no further than 1 meter apart.

Activate the Bluetooth function on your Bluetooth device (phone or music device). Please refer to the manufacturer's instructions for instructions on enabling Bluetooth on your device.

Once you have activated Bluetooth on your device, select the speaker "SL BBX-4/6079" from the list of available Bluetooth devices.

If required, enter the password '0000' to confirm & finalize pairing.

Once paired successfully, the blue LED flashes every two seconds.

You can now start to use the speaker.

If pairing is unsuccessful, turn off the speaker first and then re-pair following the above steps.

Once you have paired the speaker with a device, the speaker will remember this device and will pair automatically when the device's Bluetooth is activated and in range. You do not need to re-pair any previously connected devices.

The speaker will attempt to automatically connect to the last device it was paired with when switched on. If you want to pair it with a new device please follow the steps outlined above.

Once the speaker is paired with your device the music will transmit directly to the speaker.

Please refer to your device's user manual for further information.

Function Summary

Listening to Music

Once the speakers are paired with your device you can stream music wirelessly through the speaker. Select the track you wish to listen to and it will be streamed to your Bluetooth speaker. Should you encounter any problems while streaming please refer your device's user manual for further information.

Function	Operation	Button
Increase Volume	Playing music	Long press the Next Track / Volume + button will increase the volume
Decrease Volume	Playing music	Long press the Previous Track / Volume - button will decrease the volume
Pause	Playing music	A short press on the Play / Pause button will pause the music
Play	Pausing	A short press on the Play / Pause button will resume the music
Next Track	While playing music	Short press the Next Track / Volume + button and it would move one track forward
Previous Track	While playing music	Short press the Previous Track / Volume - button and it would move one track backward

An indication tone will alert you when the volume is adjusted to the minimum or maximum level.

Answering a call with the speaker

Basic operation

Function	Operation	Button
Answer A Call	Incoming Call	Short press the Call Answer Button to answer an incoming call
Reject a call	Incoming Call	Press and hold the Call Answer Button
End a call	Incoming Call	After your phone conversation, short press the Call Answer Button .
Increase Volume	During a call	Long press the Next Track / Volume + button will increase the volume
Decrease Volume	During a call	Long press the Previous Track / Volume - button will decrease the volume
Redial last number	Standby mode and connected to a device	Short press the Call Answer Button twice

Please Note

- Not all mobile phones support all the functions listed above. Please refer to your cell phone's user's manual for further information.
- Certain functions and indication tones maybe vary depending on your mobile phone.
- When the volume is adjusted to min or max, you will hear an indication tone.

Play music using "AUX-IN" Jack

1. Turn ON the device.
2. Insert the 3.5 mm Aux cable (provided) to the AUX-IN of the speaker. And, the other end of the cable connects to the audio device (such as computer / tablet /etc.).
3. The Blue LED will light up without flashing.
4. Select your favourite song at the source device.

(Note: When you insert 3.5 mm Aux cable into the AUX-IN of the speaker, the Bluetooth of the speaker will Turn Off at once.)

LED indicator

Please refer to the below tables for a list of the LED statuses whilst using the speaker.

Battery Charging Indication

LED indicator	Status of the speakers
Red LED	Charging
Red LED turns off	Charging Completed

LED Indication

LED indicator	Status of the speakers
Blue LED flashes quickly	Pairing mode
Blue LED flashes every two seconds	Paired successfully

Tone Indication

Indication tone	Status of the speakers
Emits short tones	Enter pairing mode
Emits an indication tone	Low Battery Power (only at Bluetooth paired mode)

Specifications

Bluetooth specification	Bluetooth V2.1
Operating distance	33 Feet, Class II
Speaker	10W

Working time	Music: Up to 2 hours Talk: Up to 4 hours
Lithium battery	3.7V500mAh
Charging input voltage	DC 5V
Charging time	About 3 hours
Dimensions	200 x 130 x 230mm
Weight	1.10Kg

Note: Battery life & charging time may vary based on usage & types of devices used.

Troubleshooting

Problem	Possible Cause	Solution
Low sound level	Source (Tablet, Mobile Phone, Laptop, etc.) volume too low. Battery dead	Adjust source volume. Charge battery.
Sound distorted	Battery nearly dead	Charge battery
No sound at all.	Source (Tablet, Mobile Phone, and Laptop.) turned off. Speaker turned off. Volume turned down source. Media paused on source.	Turn the source on. Turn the speaker on. Adjust volume source. Play media from source.
Cannot Pair	Bluetooth Disconnected	Turn OFF the Speaker; and then Turn ON the speaker after about 30 seconds. Keep your Bluetooth Speaker and Bluetooth enabled device within 3 feet of each other during the pairing process. After a successful pairing, the Blue LED indicator light will flash every two seconds.

Care and Maintenance

Read the following recommendations before using the speaker. Following these you will be able to enjoy the product for many years.

- Do not expose the speaker to liquid, moisture or humidity to avoid the product's internal circuit being affected.
- Don't use abrasive cleaning solvents to clean the speaker.
- Do not expose the speaker to extremely high or low temperature as this will shorten the life of electronic devices, destroy the battery or distort certain plastic parts.
- Don't dispose of the speaker in a fire as it will result in an explosion.
- Don't expose the speaker to contact with sharp objects as this will cause scratches and damage.
- Don't let the speaker fall on the floor. The internal circuit might get damaged.
- Don't attempt to disassemble the speaker as it may get damaged if you are not professional.

In case the speaker doesn't function properly, send it to the store you bought it. The staff will help you to the problem.

Federal Communications Commission (FCC) Statement

This device complies with part 15 of the FCC Rules. Operation is subject to the following two conditions: (1) This device may not cause harmful interference, and (2) this device must accept any interference received, including interference that may cause undesired operation.

Note: This equipment has been tested and found to comply with the limits for a Class B digital device, pursuant to part 15 of the FCC Rules. These limits are designed to provide reasonable protection against harmful interference in a residential installation. This equipment generates, uses and can radiate radio frequency energy and, if not installed and used in accordance with the instructions, may cause harmful interference to radio communications. However, there is no guarantee that interference will not occur in a particular installation. If this equipment does cause harmful interference to radio or television reception, which can be determined by turning the equipment off and on, the user is encouraged to try to correct the interference by one or more of the following measures:

- Reorient or relocate the receiving antenna.
- Increase the separation between the equipment and receiver.
- Connect the equipment into an outlet on a circuit different from that to which the receiver is connected.
- Consult the dealer or an experienced radio/TV technician for help.

Warning: Changes or modifications made to this device not expressly approved by **SHENZHEN AOB ELECTRONICS CO., LTD.** may void the FCC authorization to operate this device.

Note: The manufacturer is not responsible for any radio or tv interference caused by unauthorized modifications to this equipment. Such modifications could void the user's authority to operate the equipment.