



H Y P E[®]

BLUETOOTH[®] DOME SPEAKER
Operation Manual ES-14002BT

Thank you for purchasing the Dome Bluetooth® Speaker. Please read all instructions carefully before using and retain this manual for future use and reference.

PACKAGE CONTENTS

- Bluetooth® Dome Speaker
- USB Charging Cable

KEY FEATURES

- Play music wirelessly
- Media shortcut keys
- Rechargeable lithium-ion battery
- Built-in microphone and answer button

SAFETY INSTRUCTIONS

Keep the unit away from heat sources, direct sunlight, humidity, water and any other liquids.

Do not operate the unit if it has been exposed to water, moisture or any other liquids to prevent against electric shock, explosion and/or injury to yourself and damage to the unit.

Do not use the unit if it has been dropped or damaged in any way.

Repairs to electrical equipment should only be performed by a qualified electrician. Improper repairs may place the user at serious risk.

Do not puncture or harm the exterior surface of the product in any way.

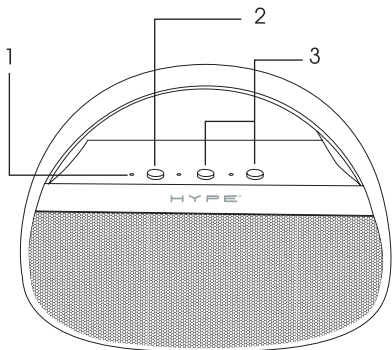
Keep the unit free from dust, lint, etc.

Do not use this unit for anything other than its intended use or purpose. Doing so may damage the device.

This product is not a toy. Keep out of reach of children.

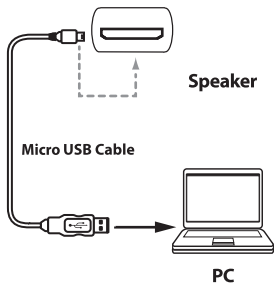
Do not use the headset at excessive levels as this may damage hearing.

Do not expose batteries, battery pack, or batteries to installed to excessive heat, such as direct sunlight, or open flame.



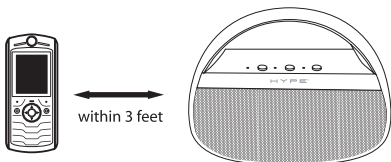
FEATURES

1. Built-in Mic
2. Play/pause, one-touch answer button
3. Track forward and backward



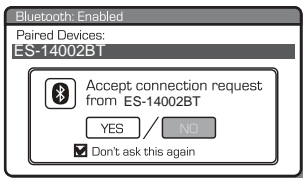
PAIRING THE SPEAKER TO A BLUETOOTH® ENABLED PHONE

1. Make sure the Bluetooth® Speaker is turned off.
2. Keep your Bluetooth® Speaker Bar and mobile phone within 3 feet of each other during the pairing process.
3. Slide the Power Off/On switch to the On position. The LED light will flash blue 6 times quickly to indicate the Speaker Bar is now on and is in pairing mode.



NOTE: To enter pairing mode, you must turn the speaker on, then quickly press the MODE button after the blue light flashes 6 times quickly.

4. Make sure Bluetooth® is enabled on your mobile phone. If you are unsure how to do this, please refer to the user manual of your mobile device, or contact the manufacturer of your mobile phone.
5. Using your mobile device, search for Bluetooth devices within range. Select "ES-14002BT" from the list.
6. If prompted for a PIN code, enter "0000" from your mobile device and select "OK" to complete pairing. Depending on which model you have, it may not be necessary to enter a PIN and your Speaker Pod and your mobile phone will pair automatically.
7. Your mobile phone will confirm that the pairing was completed, and prompt you to accept the connection. Please respond "Yes" or "OK" to complete pairing. If the pairing was successful, the Speaker Pod's indicator light will flash blue every few seconds.
8. When attempting to reconnect the speaker to your mobile phone, you may see the message below, and your mobile phone will prompt you to accept the connection request from the ES-14002BT speaker and ask you if you would like this option shown to you again.



To have your Speaker pair automatically to this device when in pairing mode and in range, you can select "Don't ask this again."

NOTE: The screenshot above is typical of many Bluetooth®-enabled phones in the market today, and re used to assist in the explanation of the pairing process. Your mobile phone's interface and interaction with the Bluetooth Speaker Bar may differ slightly from the illustration above.

USING YOUR BLUETOOTH® SPEAKER

Powering your Speaker On/Off

- To turn your speaker on, press the Power button. The LED light will flash blue 6 times quickly, then once every few seconds.
- To turn your speaker off, press the Power button. the speaker will power itself off.

Answering/Ending a Call

- To answer a call, quick press the "⏮▶" button.
- To end a call, quick press the "⏮▶" button again.

ES-14002BT

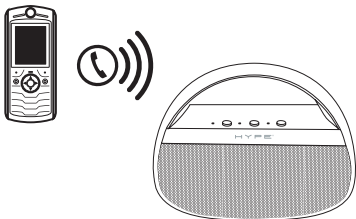
Adjusting Volume

- Press and hold the Vol+ and Vol - button to adjust volume during a call or while music is playing.

NOTE: You may also adjust the volume from your mobile phone's volume controls.

Making a Call

- Dial the number from your mobile device and press the Send or Call button. The call will automatically transfer to your speaker.



Redialing the Last Number

- Quick press the “**CALL**” button twice. The last number dialed from your mobile device will be dialed.

Rejecting Calls

- To reject an incoming call, press and hold the “**CALL**” button for 3 seconds. The call will disconnect from your mobile device.

STEREO BLUETOOTH

This speaker allows you to listen to and control the music on your Bluetooth-enabled mobile phone, computer, or mp3 player in full stereo.

PLAYING MUSIC

To enjoy wireless music on your Bluetooth® Dome Speaker, make sure you are connected to a Bluetooth®-enabled media device. Once connected, you can press PLAY on your Bluetooth® device or you can press the “**CALL**” button on ES-14002BT Bluetooth® Dome Speaker. Once playback has begun, you can control the music or answer phone calls from the control buttons on the Speaker

Please note, not all mobile phones support the control of music using Bluetooth®.

NOTE: Most media-enabled smart phones will display “connected to phone audio and media” when connecting to the Bluetooth® Speaker. This means you can make phone calls and enjoy your music.

Play/Pause

- Press the “⏮|⏸” button to pause the music. To resume music playback, press the “⏮|⏸” button again.

Skipping Tracks*

(*Not available on all phones)

- Press the Vol - once to skip to the previous track.
- Press the Vol + once to skip to the next track.

USING AS A WIRED SPEAKER

The ES-14002BT can be used as a wired speaker by using an auxiliary cable.

1. Plug one side of the auxiliary cord into the AUX jack of your device.
2. Plug the other end of the auxiliary cable into the 3.5mm AUX jack on the speaker.
3. Using your media device's music controls, you can control music and adjust volume.

NOTE: When connected via AUX cable to your speaker, only the Vol + and Vol - buttons work on the speaker. To skip to the previous or next track, you will need to use the controls of your audio device.

In order for Bluetooth® devices to communicate with one another properly, they must utilize the same Bluetooth profile. To determine the profiles supported by your device, please refer to the device's user guide.

Certain Bluetooth® features including those listed may not be supported by all compatible Bluetooth®-enabled devices and/or the functionality of such features may be limited with certain devices.

SPECIFICATIONS

Bluetooth® Version: V2.1 + EDR

Play Time: Up to 3 hours

Charge Time: Up to ~2.2 hours

Operating Range: up to 33 feet

Charging Interface: USB

Battery: Built-in 3.7V 1200mAh lithium-ion

Frequency: ~2.402Ghz - 2.480Ghz

Power Input: DC 5V / 1200mAH

TROUBLESHOOTING

Please refer to the below frequently asked questions to see if these basic troubleshooting tips help solve your problems.

- I can pair the Bluetooth® Speaker with my Bluetooth® device, but I cannot hear any music.

Make sure your device supports the A2DP profile

- I cannot get the Bluetooth Speaker into pairing mode.

Make sure the Bluetooth® Speaker is turned off before beginning the pairing process. Slide the power switch to the On position and wait for the LED light to flash blue six times quickly.

- My mobile phone is not able to pair with the Bluetooth® Speaker Pod.

Make sure that you fully charged the speaker before use. Keep your Bluetooth® Speaker and mobile phone within 3 feet of each other during the pairing process. Check that your phone's Bluetooth is enabled. Try repeating the pairing process.

MAINTENANCE

Power this product off when not in use.

DO NOT expose this product to water or liquid.

DO NOT use abrasive cleaning solvents to clean this speaker. Clean with a dry cloth if necessary.

If you are not using the speaker for a long period of time, store in a dry, safe location. Charge the speaker every 2 months when in storage to maintain battery life.

This equipment has been tested and found to comply with the limits for a Class B digital device, pursuant to part 15 of the FCC Rules. These limits are designed to provide reasonable protection against harmful interference in a residential installation. This equipment generates, uses and can radiate radio frequency energy and, if not installed and used in accordance with the instructions, may cause harmful interference to radio communications. However, there is no guarantee that interference will not occur in a particular installation. If this equipment does cause harmful interference to radio or television reception, which can be determined by turning the equipment off and on, the user is encouraged to try to correct the interference by one or more of the following measures:

- Reorient or relocate the receiving antenna.
- Increase the separation between the equipment and receiver.
- Connect the equipment into an outlet on a circuit different from that to which the receiver is connected.
- Consult the dealer or an experienced radio/TV technician for help.

Caution: Any changes or modifications to this device not explicitly approved by manufacturer could void your authority to operate this equipment.

This device complies with part 15 of the FCC Rules. Operation is subject to the following two conditions: (1) This device may not cause harmful interference, and (2) this device must accept any interference received, including interference that may cause undesired operation.