

SOUNDLOGIC™ XT

BCS-2/5711 BLUETOOTH 2.1 STEREO COMPONENT SPEAKER SYSTEM



INSTRUCTION MANUAL
PLEASE READ ALL INSTRUCTIONS CAREFULLY AND
RETAIN FOR FUTURE USE

Getting Started

- Remove the unit from the box.
- Remove any packaging from the product.
- Please retain all packaging until you have checked and counted all the parts and the contents against the parts list.

Package Contents

- Sub-Woofers
- Satellite Speakers – Left & Right
- Remote Controller
- Power Adaptor
- AUX Cable
- Instruction Manual

KEY FEATURES

- Bluetooth® 2.1 Stereo Component Speaker System
- Compatible with all Bluetooth enabled devices such as Smart Phones, Tablets, etc.
- SD Card & USB Slots for easy plug and play
- Wired Connection also available for computers, netbooks, laptops etc
- Syncs in Seconds
- Big Blue LCD Display
- Digital Volume Indicator
- Wireless Remote Controller Included
- Wireless Range – 26.4 - 33 Feet

SAFETY INSTRUCTIONS

Keep the unit away from heat sources, direct sunlight, humidity, water and any other liquids.

Do not operate the unit if it has been exposed to water, moisture or any other liquids to prevent against electric shock, explosion and/or injury to yourself and damage to the unit.

Do not use the unit if it has been dropped or damaged in any way.

Repairs to electrical equipment should only be performed by a qualified electrician. Improper repairs may place the user at serious risk.

Do not use the unit with wet hands.

Do not put objects into any of the openings.

Keep the unit free from dust, lint etc.

Do not use this unit for anything other than its intended use.

Keep the unit out of reach of children.

This appliance is not a toy.

Do not use the handset at excessive levels as damage to hearing may occur.

Batteries (battery pack or batteries installed) shall not be exposed to excessive heat place, such as sunshine, fire or the like.

Description of Parts

Sub-Woofer (Front)

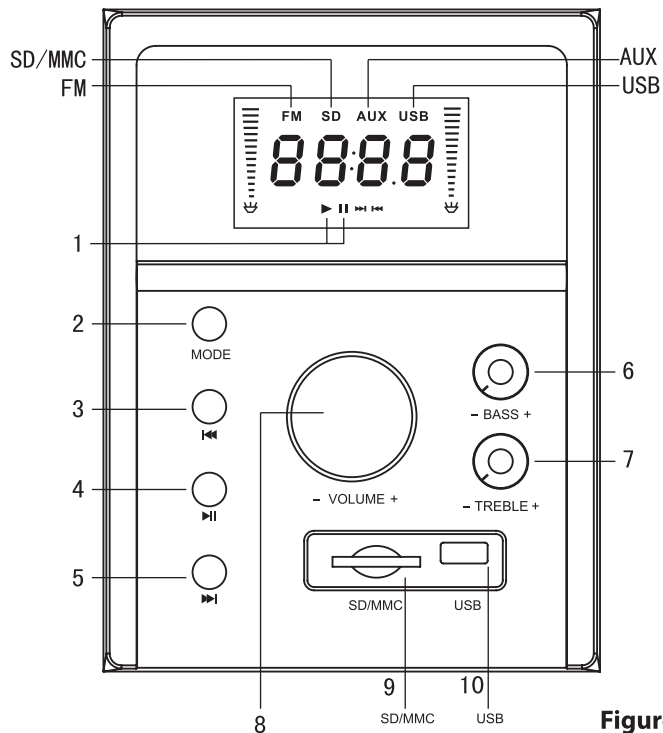
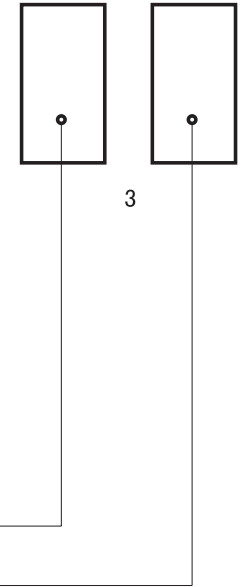
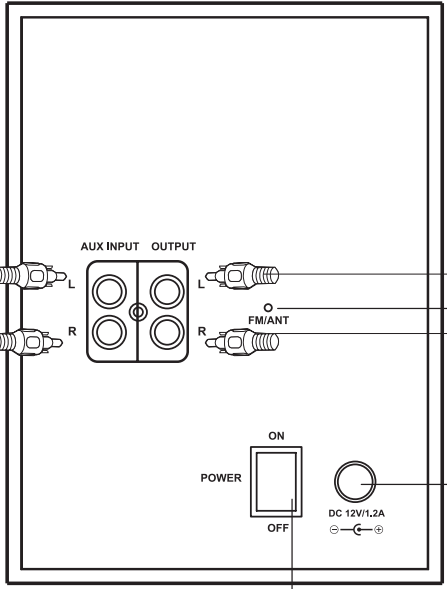
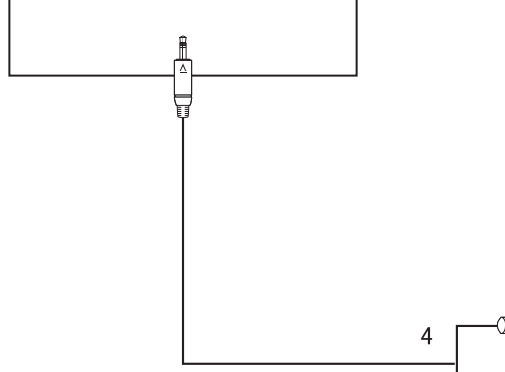
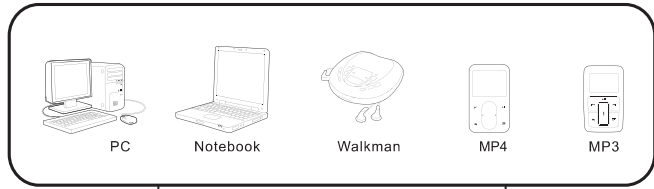


Figure A

1. LED Display
2. Mode Button
3. Skip Backward
4. Play/Pause
5. Skip Forward
6. Bass Controller
7. Treble Controller
8. Volume controller
9. SD/MMC Card Slot
10. USB Slot

Note: You need a Micro SD Card Adapter (not included), to use a Micro SD Card.

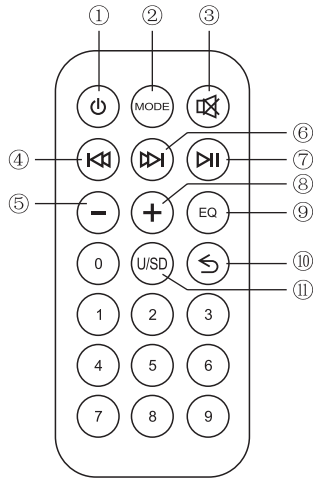
Sub-Woofer (Rear)



- 1. Power ON/OFF Switch
- 2. FM Receiver
- 3. Left & Right Speaker Input Connection Points
- 4. AUX Input
- 5. Power Input Jack

Figure B

Remote Control -



Button	Function	Operation
1	Power ON/OFF	Pressing this button Turns the unit ON or OFF
2	Mode	Select your desired Mode – Bluetooth or AUX or USB/SD or FM
3	Mute	Pressing this button MUTES the speakers
4	Previous Track	Play previous track
5	Volume -	Decrease Volume
6	Next Track	Play next track
7	Play/Pause	Play or Pause the track
8	Increase Volume	Increase Volume
9	Equalizer	Select from various built-in Equalizer settings (Note: Use in USB/SD/MMC mode)
10	Repeat	Repeat one / repeat all the songs can be selected (Note: Use in USB/SD/MMC mode)
11	U/SD	Select USB or SD/MMC Card Slot
12	0-9	Select the songs and select the auto-searched channels / direct input the frequency of the channel. (Note: Use in USB/SD/MMC mode or FM mode)

INSTRUCTIONS FOR USE

Installation

Place the Left and Right channel speakers next to the Sub-Woofer

Connect the satellite speakers to the appropriate connector on the back of the sub-woofer. It should be connected to the Left & Right Speaker Input Connection Points (Shown in Figure B).

Connect the power adapter to the power input jack # 5 (Shown in Figure B) and to a standard AC electrical outlet (A Surge protector (not included) is recommended to protect your device).

Power ON the Unit using the Power On/Off Switch #1 (Shown in Figure B) on the back of the sub-woofer

You can now start to use the BLUETOOTH 2.1 STEREO COMPONENT SPEAKER SYSTEM

Connect using Bluetooth Technology

Turn ON the unit

Press Mode Button to select Bluetooth Mode

You would now hear a Beep tone indicating that it is now in Bluetooth Pairing Mode

Activate the Bluetooth function on your Bluetooth Device (Mobile Phone, Tablet etc). Please refer to manufacturer's instructions for instructions on enabling Bluetooth on your device.

Once you have activated Bluetooth on your device, select the "SL 2.1 SPEAKER" from the list of available Bluetooth devices.

If required, enter the password '0000' to confirm pairing.

Once paired successfully, a "beep" sound will be heard.

Choose music from your Bluetooth® device and play wireless music through the speaker system.

Connect to your Computer using Wires or Play Music through AUX Jack -

Turn ON the unit

Connect the 3.5mm stereo cables to the output jack on your computer sound card or any Personal music player like Mobile Phones, Tablets, MP3 / MP4 Players.

Turn on your Computer (Or Portable Audio Device). Open media player such as Windows Media Player®, etc. Click on PLAY to start playing your music.

Adjust the volume, bass and treble per your preference. Make sure the volume on your speaker system, in your music software and the main volume control in your operating system are all at an audible level (if any one of these volume levels are at its lowest settings, you will not have good sound output from the speakers).

Play Music through USB / SD/MMC Card

Turn ON the unit

Insert USB Flash Drive or SD/MMC Card into the appropriate Slot on the front of the unit.

Please ensure that songs are stored in MP3 format.

Press Play and enjoy music from your USB or SD/MMC card.

Long press Skip Forward to fast forward and short press Skip Forward to play next song.

Long press Skip Backward to rewind and short press Skip Backward to play previous song.

Listen to the FM Radio

Turn ON the unit

Press the Mode Button on the main unit to select FM Radio mode.

Auto search function – Long press the Play button and it will automatically search the radio channels.

After searching, short press Skip Forward / Skip Backward Button to select the channels already auto-searched.

Manual search function – Long press the Skip forward / Skip Backward Button to search for the next strong station and stop on that station.

Specifications –

20 Watts Sub-Woofer
2 x 10 Watts Satellite Speakers
Total 40 Watts Sound Output
Power Input: DC 12V
Digital Volume Indicator
Bluetooth® Music Receiver
Bluetooth® Version: 2.1
Bluetooth Profiles: A2DP, ACRCP

FCC Instructions

This equipment has been tested and found to comply with the limits for a Class B digital device, pursuant to part 15 of the FCC Rules. These limits are designed to provide reasonable protection against harmful interference in a residential installation. This equipment generates, uses and can radiate radio frequency energy and, if not installed and used in accordance with the instructions, may cause harmful interference to radio communications. However, there is no guarantee that interference will not occur in a particular installation. If this equipment does cause harmful interference to radio or television reception, which can be determined by turning the equipment off and on, the user is encouraged to try to correct the interference by one or more of the following measures:

- Reorient or relocate the receiving antenna.
- Increase the separation between the equipment and receiver.
- Connect the equipment into an outlet on a circuit different from that to which the receiver is connected.
- Consult the dealer or an experienced radio/TV technician for help.

Caution: Any changes or modifications to this device not explicitly approved by manufacturer could void your authority to operate this equipment.

This device complies with part 15 of the FCC Rules. Operation is subject to the following two conditions: (1) This device may not cause harmful interference, and (2) this device must accept any interference received, including interference that may cause undesired operation.

The device has been evaluated to meet general RF exposure requirement. The device can be used in portable exposure condition without restriction.

Care and maintenance

Read the following recommendations before using the Bluetooth Multi Media Speaker System. Following these you will be able to enjoy the product for many years.

- Do not expose the unit to liquid, moisture or humidity to avoid the product's internal circuit being affected.
- Don't use abrasive cleaning solvents to clean the unit.
- Do not expose the unit to extremely high or low temperature as this will shorten the life of electronic devices, destroy the battery or distort certain plastic parts.

- Don't dispose of the unit in fire as it will result in an explosion.
- Don't expose the unit to contact with sharp objects as this will cause scratches and damage.
- Don't let the unit fall down onto the floor. The internal circuit might get damaged.
- Don't attempt to disassemble the unit as it may get damaged if you are not professional.

In case the unit does not function properly, please contact the number shown on the Warranty Page for help.

LIMITED WARRANTY

This manufacturer's product warranty extends to the original consumer purchaser of the product. Neither the retailer nor any other company involved in the sale or promotion of this product is a co-warrantor of this manufacturer warranty.

WARRANTY DURATION: All materials and workmanship are warranted to the original consumer purchaser for a period of thirty (30) days from the original purchase date.

WARRANTY COVERAGE: This product is warranted against defective materials or workmanship. This warranty is void if the product has been damaged by accident, in shipment, unreasonable use, misuse, neglect, improper service, commercial use, repairs by unauthorized personnel or other causes not arising out of defects in materials or workmanship. This warranty doesn't cover the following which may be supplied with this product, including but not limited to; LCD Screens, glass parts, lenses, etc. This warranty is effective only if the product is purchased and operated in USA, and does not extend to any units which have been used in violation of written instructions furnished by manufacturer or to units which have been altered or modified or, to damaged products or parts thereof which have had the serial number removed, altered, defaced or rendered illegible.

WARRANTY DISCLAIMERS: This warranty is in lieu of all warranties expressed or implied and no representative or person is authorized to assume for manufacturer any other liability in connection with the sale of our products. There shall be no claims for defects or failure under any theory of tort, contractor commercial law including but not limited to, negligence, gross negligence, strict liability, breach of warranty and breach of contract.

WARRANTY PERFORMANCE: During the above 30 day warranty period, a product with a defect will be either repaired or replaced with a reconditioned comparable model (at manufacturer's option). The repaired or replacement product will be in warranty for the balance of the 30 day warranty period and an additional one-month period. No charge will be applicable for such repair or replacement.

SERVICE AND REPAIR: If service is required for this product, you should first contact Midwest Trading Group Customer Service at info@mtradinggroup.com or by calling 1 (866) 815-4714, Monday to Friday 9am to 5pm CST.

NOTE: Manufacturer cannot assume responsibility for loss or damage during incoming shipment. As a precautionary measure, carefully package the product for shipment, and insure it with the carrier. Be sure to enclose the following details with the product: your full name, return address and daytime phone number, a note describing the problem you experienced, a copy of your sales receipt or other proof of purchase to determine warranty status. C.O.D. shipments cannot be accepted.