



Bluetooth wireless speaker

ES-52041

SHENZHEN AOB ELECTRONICS CO.,LTD



INSTRUCTION MANUAL

PLEASE READ ALL INSTRUCTIONS CAREFULLY & RETAIN FOR FUTURE USE

1

Getting Started

Remove the unit from the box. Remove any packaging from the product. Please retain all packaging until you have checked and counted all the parts and the contents against the parts list.

Package Contents

Bluetooth wireless speaker
USB charging cable
3.5mm audio connection cable
Instruction manual

Features

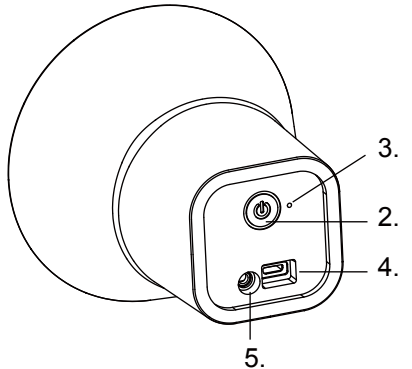
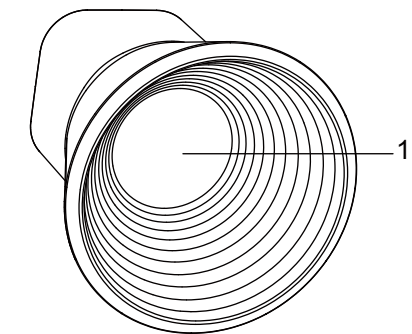
- Compatible with Bluetooth® devices & connects via 3.5mm audio jack
- Perfect for use with a variety of electronic devices, indoors or outdoors
- Compact portable size that goes anywhere
- USB rechargeable built-in battery
- Durable, rugged and splash proof

IMPORTANT SAFETY INFORMATION

- Read all instructions before using this product.
- Do not leave this product unattended while connected to the power supply.
- Do not immerse in water or any other liquids.
- Do not use if unit has been dropped or damaged in any way.
- Repairs to electrical equipment should only be performed by qualified personnel. Improper repairs may place user at serious risk.
- Place unit on sound, even surface, free of vibrations and away from sources of heat.
- Do not use with wet hands.
- Do not put objects into openings.
- Keep free of dust, lint, hair etc.
- Do not use this unit for anything other than its intended use.
- Keep this product out of reach of children.
- This product is not a toy.
- Do not play music at excessive levels especially near children, as damage to hearing may occur.

2

Description of parts



S.No.	Description
1	Speaker
2	On/Off Button
3	LED Indicator
4	USB charging port
5	3.5mm Aux port

3

INSTRUCTIONS FOR USE

Charging the unit

For best results, fully charge the unit before first use.

- Connect the USB cord to the charging port located at the back of the speaker and insert the other end into a USB port of your computer or similar power source.
- The LED at the back turns red when the battery is being charged. Once it is fully charged, the Red LED will turn off. It will take 3 to 4 hours to fully charge the Battery.

Turn On/Off the Speaker

Press the On/Off button at the back of speaker.

Turn the speaker to Bluetooth pairing mode -

- Press the On/Off button at the back of speaker.
- The Blue LED blinks. This indicates that it is in pairing mode. (Note: If no device is paired with the Bluetooth speaker, it will turn off automatically after around 5 minutes.) (Note: If you have paired to the speaker before, then the speaker will pair automatically with the last device it connected.)

Pairing your device with Bluetooth Speaker -

Your **Wireless Speaker Cone** can wirelessly stream audio from any Bluetooth enabled device within ~30 Feet. Simply follow the below steps.

- Turn ON the speaker and the Blue LED light will blink.
- Turn on the Bluetooth on your Mobile Phone or Tablet or Computer
- It will search for Bluetooth devices
- The pairing name of our Bluetooth Speaker is "SL BT CONE". Pair it with this device.
- If required, enter the password '0000' to confirm to finalize pairing.
- Once paired successfully, the Blue LED will flash slowly.
- If you fail to pair it within the time frame or you want to pair it with a new device please follows the steps outlined above.

Select your favorite song at the Bluetooth device and play it through the Wireless Speaker Cone.

4

Aux function of the Speaker

- Turn on speaker by pressing the On/Off button at the back of the speaker.
- Put the 3.5 mm Aux in cable (provided) to the Aux port of the speaker. And, the other end of the cable connects in the audio device (such as computer / tablet /etc.).
- The Blue LED will light up.

Select your favorite song at the source device and play it through the Wireless Speaker Cone.

(Note: When you put 3.5 mm Aux in cable into the Aux port of the speaker, the Bluetooth connectivity of the speaker will be lost when Aux is in use.) (Note: Suggest you turn off the Bluetooth of your mobile phone when the Aux is being used.)

Do's and Don'ts

Do not play music at excessive levels as damage to hearing and/or equipment may result.

Do not use outdoors in wet or in damp surroundings.

Specification

Bluetooth version : V2.1+EDR
 Power : 3 W
 Size : ~4.13 x 4.13 x 4.06 inches
 Weight : ~10.19 oz
 Play time : ~Up to 3 hours
 Charge Voltage : DC5V (USB)
 Bluetooth Range : ~30 Feet

(Note: Battery life & charging time may vary, based on usage & types of devices used.)

Troubleshooting

Problem	Possible Cause	Solution
Low sound level	Source (Tablet, Mobile Phone, Laptop, etc.) volume too low. Battery dead	Adjust source volume. Charge Battery.
Sound distorted	Battery nearly dead	Charge Battery.
No sound at all.	Source (Tablet, Mobile Phone, Laptop,) turned off. Speaker turned off. Volume turned down source. Media paused on source.	Turn the source on. Turn the speaker on. Adjust volume source. Play media from source.

5

Care and Maintenance

Clean the unit with a soft, damp cloth. Never use chemicals or hard abrasives. Keep this unit away from wet or damp surroundings.

The crossed out wheelee bin symbol on this item indicates that this product needs to be disposed of in an environmentally friendly way when it becomes of no further use or has worn out. Contact your local authorities for details of where to take the item for re-cycling.

Note: iPod and iPhone are trademarks of Apple Inc, registered in the US, and other countries.

FCC Instructions

- Changes or modifications not expressly approved by the party responsible for compliance could void the user's authority to operate the product.

NOTE: This product has been tested and found to comply with the limits for a Class B digital device, pursuant to Part 15 of the FCC Rules. These limits are designed to provide reasonable protection against harmful interference in a residential installation. This product generates, uses and can radiate radio frequency energy and, if not installed and used in accordance with the instructions, may cause harmful interference to radio communications. However, there is no guarantee that interference will not occur in a particular installation. If the product does cause harmful interference to radio or television reception, which can be determined by turning the equipment off and on, the user is encouraged to try to correct the interference by one or more of the following measures :

- Reorient or relocate the receiving antenna.
- Increase the separation between the product and receiver.
- Connect the product into an outlet on a circuit different from that to which the receiver is connected.
- Consult the dealer or an experienced radio/TV technician for help.

The device complies with Part 15 of the FCC Rules. Operation is subject to the following two conditions: (1) this device may not cause harmful interference, and (2) this device must accept any interference received, including interference that may cause undesired operation.

The device has been evaluated to meet general RF exposure requirement. The device can be used in portable exposure condition without restriction.

6

Limited Warranty

This manufacturer's product warranty extends to the original consumer purchaser of the product. Neither the retailer nor any other company involved in the sale or promotion of this product is a co-warrantor of this manufacturer warranty.

WARRANTY DURATION: All materials and workmanship are warranted to the original consumer purchaser for a period of ninety (90) days from the original purchase date.

WARRANTY COVERAGE: This product is warranted against defective materials or workmanship. This warranty is void if the product has been damaged by accident, in shipment, unreasonable use, misuse, neglect, improper service, commercial use, repairs by unauthorized personnel or other causes not arising out of defects in materials or workmanship. This warranty is effective only if the product is purchased and operated in USA, and does not extend to any units which have been used in violation of written instructions furnished by manufacturer or to units which have been altered or modified or, to damaged products or parts thereof which have had the serial number removed, altered, defaced or rendered illegible.

WARRANTY DISCLAIMERS: This warranty is in lieu of all warranties expressed or implied and no representative or person is authorized to assume for manufacturer any other liability in connection with the sale of our products. There shall be no claims for defects or failure under any theory of tort, contractor commercial law including but not limited to, negligence, gross negligence, strict liability, breach of warranty and breach of contract.

WARRANTY PERFORMANCE: During the above 90 day warranty period, a product with a defect will be either repaired or replaced with a reconditioned comparable model (at manufacturer's option). The repaired or replacement product will be in warranty for the balance of the 90 day warranty period and an additional one-month period. No charge will be applicable for such repair or replacement.

SERVICE AND REPAIR: If service is required for this product, you should first contact Midwest Trading Group Customer Service at info@mtradinggroup.com or by calling 1 (866) 815-4714, Monday to Friday 9am to 5pm CST.

NOTE: Manufacturer cannot assume responsibility for loss or damage during incoming shipment. As a precautionary measure, carefully package the product for shipment, and insure it with the carrier. Be sure to enclose the following details with the product: your full name, return address and daytime phone number, a note describing the problem you experienced, a copy of your sales receipt or other proof of purchase to determine warranty status. C.O.D. shipments cannot be accepted.

7