

ES-88030BT

Bluetooth Receiver



INSTRUCTION MANUAL
PLEASE READ ALL INSTRUCTIONS CAREFULLY AND
RETAIN FOR FUTURE USE

Getting Started

- Remove the unit from the box.
- Remove any packaging from the product.
- Please retain all packaging until you have checked and counted all the parts and the contents against the parts list.

Package Contents

- Bluetooth Receiver
- USB Charging Cable
- Instruction Manual

Key Features

- Bluetooth Receiver
- Enables most non-bluetooth devices with Bluetooth capability
- Compatible with most Bluetooth enabled devices such as Smart Phones, Tablets, etc.
- Stream music from any Bluetooth compatible device to your non-Bluetooth music device.

Safety Instructions

Keep the unit away from heat sources, direct sunlight, humidity, water and any other liquids.

Do not operate the unit if it has been exposed to water, moisture or any other liquids to prevent against electric shock, explosion and/or injury to yourself and damage to the unit.

Do not use the unit if it has been dropped or damaged in any way.

Repairs to electrical equipment should only be performed by a qualified electrician. Improper repairs may place the user at serious risk.

Do not use the unit with wet hands.

Do not put objects into any of the openings.

Keep the unit free from dust, lint etc.

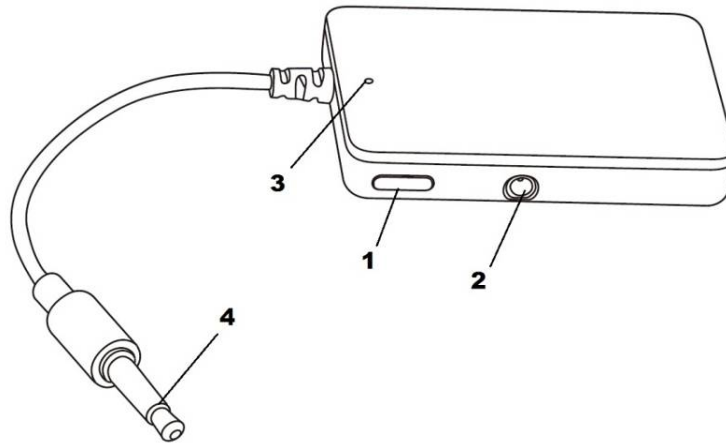
Do not use this unit for anything other than its intended use.

Keep the unit out of reach of children.

This appliance is not a toy.

Batteries (battery pack or batteries installed) shall not be exposed to excessive heat place, such as sunshine, fire or the like.

Description of Parts



1	Bluetooth Receiver ON/OFF Button
2	Charging Port
3	LED Indicator
4	3.5mm Auxiliary Jack

INSTRUCTIONS FOR USE

Charging the Bluetooth Music Receiver

It's recommended to fully charge the Bluetooth Music Receiver (usually takes about 4 hours) before its first use.

- 1) Make sure the Bluetooth receiver is turned OFF
- 2) Connect one end of your USB charging cable to your computer's USB outlet or similar power source. The other end connects to the charging port of the Bluetooth Music Receiver.

Red light would turn on indicating that the Bluetooth Music Receiver is charging. Once the device is fully charged, the red LED will turn off.

How to Turn ON/OFF the Bluetooth Music Receiver

Long Press the Power On/Off Button to turn on / off the Bluetooth Music Receiver.

(Note: Once you turn on the Bluetooth Music Receiver, it will automatically pair with previously paired device. If it cannot pair with previously paired device, it will pair with the new Bluetooth device.)

(Note: The Bluetooth Music Receiver will not auto off / switch to standby mode. Please power off the Bluetooth Music Receiver when not in use.)

Pairing Bluetooth Music Receiver with a source device (mobile phone, tablet etc)

1. Turn on the Bluetooth Music Receiver. Press On/Off Button for 3 seconds and you'll see blue light flashing.
2. Turn on Bluetooth on your source device (Mobile Phone, Tablet, Computer etc).
3. It will search for Bluetooth devices
4. Bluetooth Music Receiver will show up as "SL BT RECEIVER" in the list of searched Bluetooth devices.
5. Select "SL BT RECEIVER"
6. Enter password "0000" (if required) to confirm pairing.

Stream Music Wirelessly to your Home Stereo using Bluetooth Music Receiver –

1. Once you've have paired Bluetooth Music Receiver with a source device, connect the Bluetooth Music Receiver to your non-bluetooth speaker using the built-in 3.5mm Auxiliary cable
2. Choose music from your source device (mobile phone, tablet etc) and play music wireless through your non Bluetooth device.

Troubleshooting

Problem	Possible Cause	Solution
Low Sound	Source (Tablet, Mobile Phone, Laptop, etc.) volume too low.	Adjust source volume
Distorted Sound	Battery nearly dead	Charge Bluetooth Music Receiver's battery
Unable to Pair	Bluetooth not turned on, either on Bluetooth Music Receiver or source device (mobile phone, tablet, computer etc) Bluetooth Music Receiver already paired with another device Note: Bluetooth Music Receiver can only pair with one device at a time.	Turn on Bluetooth mode on both, Bluetooth Music Receiver and the source device Unpair the existing source device, and pair Bluetooth Music Receiver with new source device
No sound	Source device (tablet, mobile phone, laptop.) turned off. Output device (speaker) turned off. Source device volume is low Media paused on the source device	Turn the source device on Turn the output device (speaker) on Adjust volume at source Play media from source

Specifications –

Bluetooth Version: Bluetooth 2.0+EDR

Dimension: 1.89 inch X 1.34 inch X 0.28 inch

Weight: 0.5 oz

Bluetooth range: ~30 feet

FCC Instructions

- Changes or modifications not expressly approved by the party responsible for compliance could void the user's authority to operate the product.

NOTE: This product has been tested and found to comply with the limits for a Class B digital device, pursuant to Part 15 of the FCC Rules. These limits are designed to provide reasonable protection against harmful interference in a residential installation. This product generates, uses and can radiate radio frequency energy and, if not installed and used in accordance with the instructions, may cause harmful interference to radio communications. However, there is no guarantee that interference will not occur in a particular installation. If the product does cause harmful interference to radio or television reception, which can be determined by turning the equipment off and on, the user is encouraged to try to correct the interference by one or more of the following measures :

- Reorient or relocate the receiving antenna.
- Increase the separation between the product and receiver.
- Connect the product into an outlet on a circuit different from that to which the receiver is connected.
- Consult the dealer or an experienced radio/TV technician for help.

The device complies with Part 15 of the FCC Rules. Operation is subject to the following two conditions: (1) this device may not cause harmful interference, and (2) this device must accept any interference received, including interference that may cause undesired operation.

The device has been evaluated to meet general RF exposure requirement. The device can be used in portable exposure condition without restriction.

Care and Maintenance

Clean the unit with a soft, damp cloth. Never use chemicals or hard abrasives.

Keep this unit away from wet or damp surroundings.

The crossed out wheellie bin symbol on this item indicates that this product needs to be disposed of in an environmentally friendly way when it becomes of no further use or has worn out. Contact your local authorities for details of where to take the item for re-cycling.

Limited Warranty

This manufacturer's product warranty extends to the original consumer purchaser of the product. Neither the retailer nor any other company involved in the sale or promotion of this product is a co-warrantor of this manufacturer warranty.

WARRANTY DURATION: All materials and workmanship are warranted to the original consumer purchaser for a period of ninety (90) days from the original purchase date.

WARRANTY COVERAGE: This product is warranted against defective materials or workmanship. This warranty is void if the product has been damaged by accident, in shipment, unreasonable use, misuse, neglect, improper service, commercial use, repairs by unauthorized personnel or other causes not arising out of defects in materials or workmanship. This warranty is effective only if the product is purchased and operated in USA, and does not extend to any units which have been used in violation of written instructions furnished by manufacturer or to units which have been altered or modified or, to damaged products or parts thereof which have had the serial number removed, altered, defaced or rendered illegible.

WARRANTY DISCLAIMERS: This warranty is in lieu of all warranties expressed or implied and no representative or person is authorized to assume for manufacturer any other liability in connection with the sale of our products. There shall be no claims for defects or failure under any theory of tort, contractor commercial law including but not limited to, negligence, gross negligence, strict liability, breach of warranty and breach of contract.

WARRANTY PERFORMANCE: During the above 90 day warranty period, a product with a defect will be either repaired or replaced with a reconditioned comparable model (at manufacturer's option). The repaired or replacement product will be in warranty for the balance of the 90 day warranty period and an additional one-month period. No charge will be applicable for such repair or replacement.

SERVICE AND REPAIR: If service is required for this product, you should first contact Midwest Trading Group Customer Service at info@mtradinggroup.com or by calling 1 (866) 815-4714, Monday to Friday 9am to 5pm CST.

NOTE: Manufacturer cannot assume responsibility for loss or damage during incoming shipment. As a precautionary measure, carefully package the product for shipment, and insure it with the carrier. Be sure to enclose the following details with the product: your full name, return address and daytime phone number, a note describing the problem you experienced, a copy of your sales receipt or other proof of purchase to determine warranty status. C.O.D. shipments cannot be accepted.