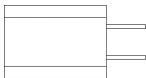


Key Features: (A831L)

- 8-inch IPS touch screen, 16:10 widescreen (WXGA 800*1280)
- MT8735 64Bits, Quad Core 1.0 GHz
- 1GB of RAM, 16GB FLASH Memory
- Browse the web, watch YouTube videos, check e-mail and much more with Android 6.0.1
- Connect to the Internet wirelessly with high-speed networking support (Wi-Fi 802.11a/b/g/n)
- Plays popular video, music and photo formats
- Application marketplace to download and enjoy popular games and apps
- E-book Reader: Download and read thousands of books
- Expandable memory to 32GB with optional micro SDHC card
- View pages in portrait or landscape with automatic orientation sensor
- For more detailed information, refer to the user manual on the device's main apps interface



Tablet PC



Adaptor AC/DC



Quick Start Guide



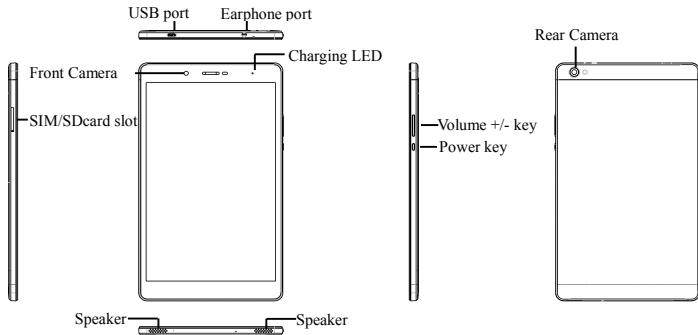
USB Cable



Warranty card



Earphone



* Recovery Function -This function erases all user data and bring the tablet to factory setting.

1. Power Off
2. Press and hold (about 5 seconds) Power and Volume Down (-) buttons.
3. Keep pressing both buttons, until the “Select Boot Mode” menu come out. Using “Volume Down (-)” button to select “Recovery Mode” option, and then press “Volume Up (+)” button to confirm.
4. Waiting for a few seconds to access into “Android Recovery” menu.

FCC Caution.

§ 15.19 Labelling requirements.

This device complies with part 15 of the FCC Rules. Operation is subject to the condition that this device does not cause harmful interference.

§ 15.21 Information to user.

Any Changes or modifications not expressly approved by the party responsible for compliance could void the user's authority to operate the equipment.

§ 15.105 Information to the user.

Note: This equipment has been tested and found to comply with the limits for a Class B digital device, pursuant to part 15 of the FCC Rules. These limits are designed to provide reasonable protection against harmful interference in a residential installation. This equipment generates uses and can radiate radio frequency energy and, if not installed and used in accordance with the instructions, may cause harmful interference to radio communications. However, there is no guarantee that interference will not occur in a particular installation. If this equipment does cause harmful interference to radio or television reception, which can be determined by turning the equipment off and on, the user is encouraged to try to correct the interference by one or more of the following measures:

- Reorient or relocate the receiving antenna.
- Increase the separation between the equipment and receiver.
- Connect the equipment into an outlet on a circuit different from that to which the receiver is connected.
- Consult the dealer or an experienced radio/TV technician for help.