



承認規格書

SPECIFICATION FOR APPROVAL

CUSTOMER NAME : APEXDISPLAY(晶英光電) & AbOCom (友旺)

品名：	REMOTE CONTROLLER
PRODUCT	_____
料號：	RF - 1715A (Third Version)
PARTS NO.	_____
廠商料號：	
MAKER	_____
PARTS NO.	

CUSTOMER APPROVE	
APPROVAL	WRITER

金永成科技有限公司
KING WINS TECHNOLOGY GO.

台北縣中和市建一路 1 號 2 樓
2F, No.1, Jian Yi Road, Jung Ho, Taipei Taiwan

TEL : (886)2-2223-3220

FAX : (886)2-2223-5739

Copyright 2005 King Wins All Rights Reserved.

Office: 2F.No.1, Jian 1st Rd., Zhonghe City, Taipei County 235, Taiwan (R.O.C.)

Tel : 886-2-2223-3220 Fax: 886-2-2223-5739

[Http://www.kws.com.tw](http://www.kws.com.tw)



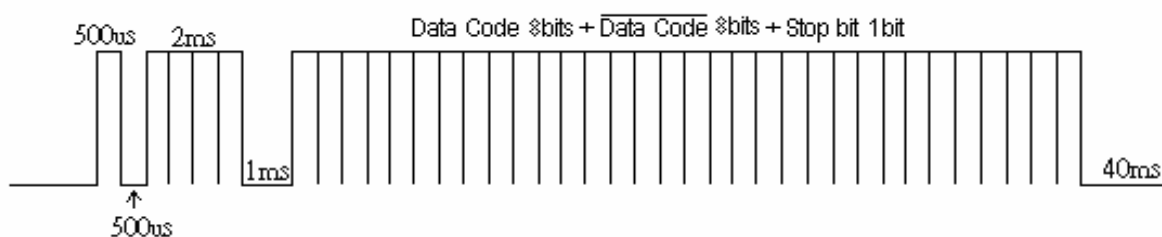
RF Frequency 315MHz .

Operation temperature range :0°C ~ 60 °C

ENCODING METHOD :

Bit-0 and bit-1 Definition :

0.5ms	0.5ms
 1.75ms =1	 0.625ms =0



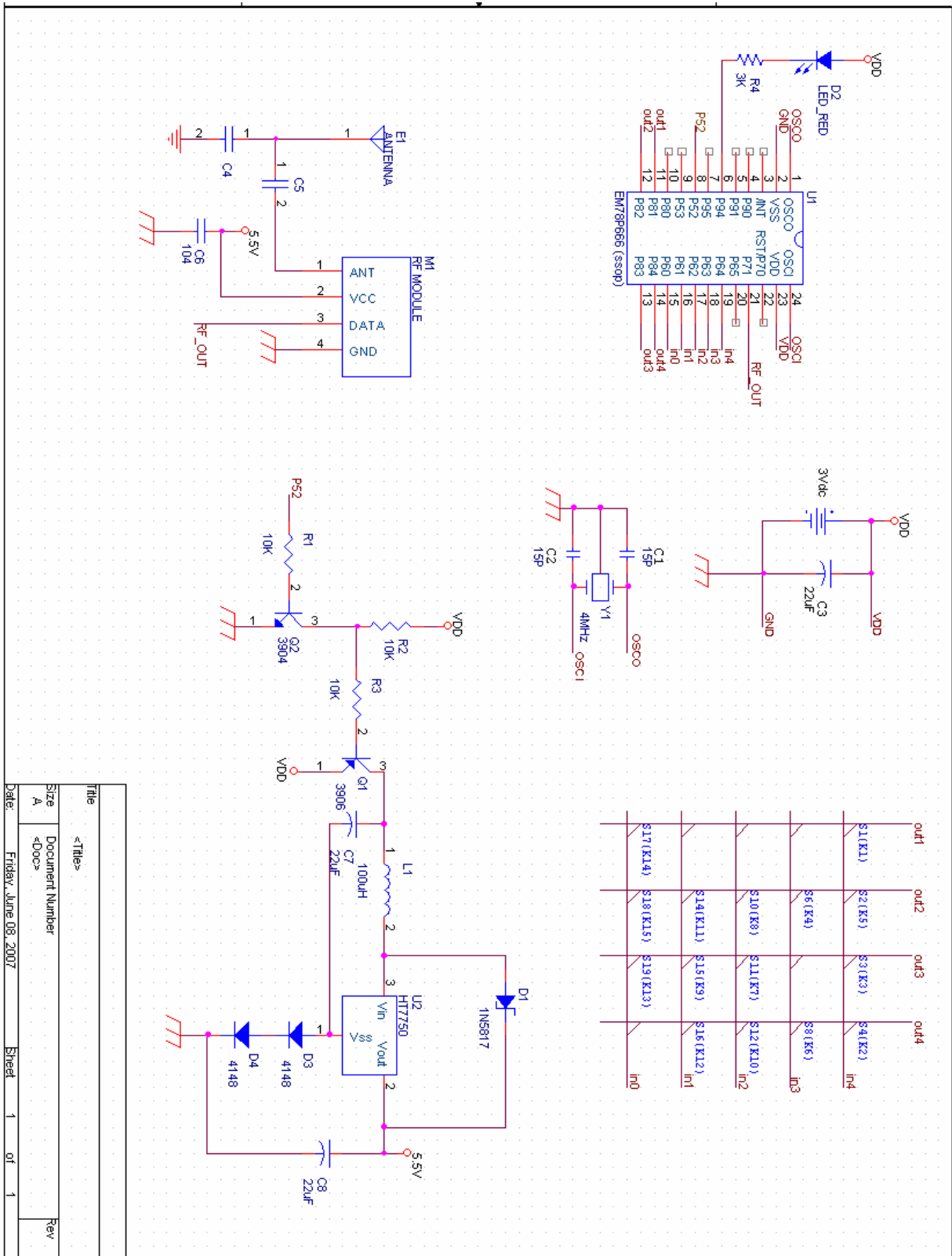
SEND 5 CODES



PRESSED KEY TABLE :

PRESSED KEY NAME	CODE
ON / OFF	12
Exit	0F
▲	10
◀	02
▶	1A
▼	06
Enter	13
Rotate	05
Slide Show	09
Thumbnail	1E
Mp3	17
Copy	1B
Delete	08
Volume —	11
Volume +	00

CIRCUIT DIAGRAM :



Title	<Title>
Size	<Size>
Document Number	<Doc>
Date	Friday, June 08, 2007
Sheet	1 of 1
Rev	

Copyright 2005 King Wins All Rights Reserved.

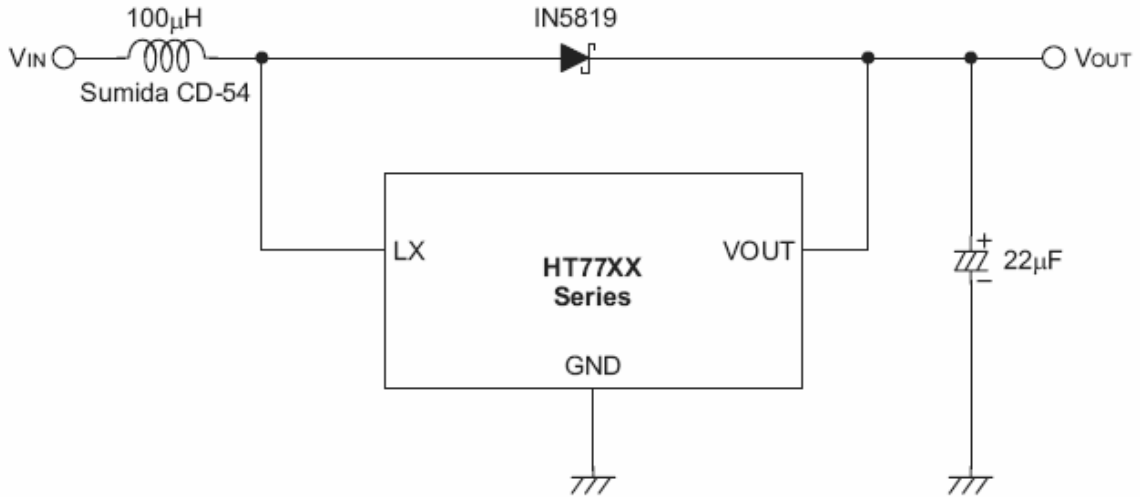
Office: 2F.No.1, Jian 1st Rd., Zhonghe City, Taipei County 235, Taiwan (R.O.C.)

Tel : 886-2-2223-3220 Fax: 886-2-2223-5739

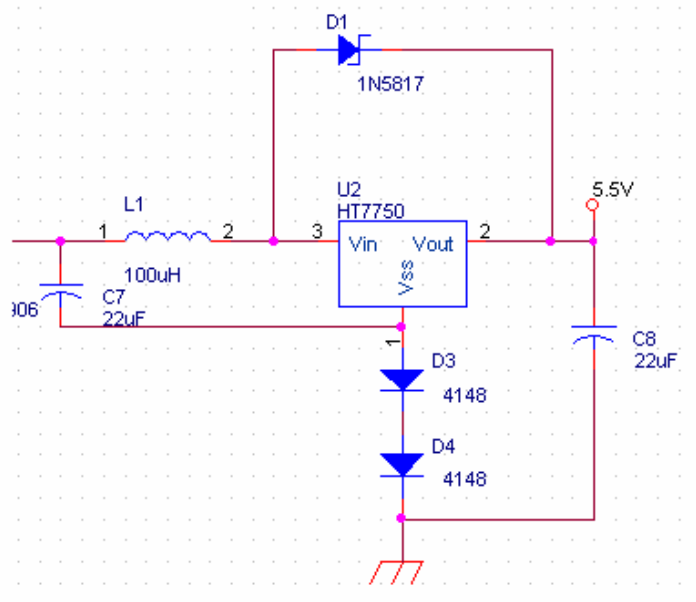
Http://www.kws.com.tw



HT7750 Matches the line originally

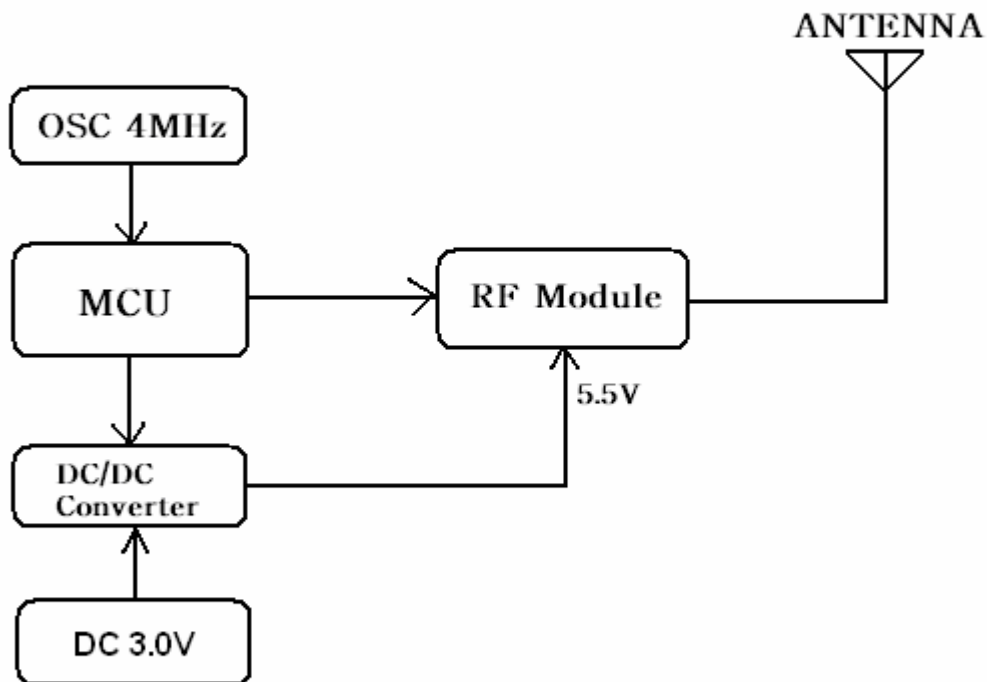


Because Apexdisplay receives is away from the question, requests to enhance the output voltage to revise the edition





Block Diagram



SPECIFICATION TEST REPORT

Customer name : Apexdisplay Test Date (Year/Mouth/Day) : 96 / 6 / 15

Type : RF Remote Controll RF315MHz

IC number : EM78P666 Check Sun : ED1E

Test Item	Test Condition	Reference Data	Test Result
1、OUTPUT POWER	DC Power Supply 3.0V Distance=20cm	- 15 dBm	<input type="checkbox"/> OK
2、OPERATING CURRENT (ImA)	DC Power Supply 3.0V	30mA Following	<input type="checkbox"/> OK
3、STANDBY CURRENT (IuA)	DC 3.0V (NO PRESS KEY)	6μA Following	<input type="checkbox"/> OK
4、Low voltage movement test	DC 2.4V	Action Normal	<input type="checkbox"/> OK
5、IC Reset Test	The battery disassembles 5 times, the remote control each function (Press any key one second when dismantles every time)	Action Normal	<input type="checkbox"/> OK

PRESS ANY KEY ONE SECOND

Absolute Maximum Ratings

Parameter	Symbol	Condition	Specification				Unit		
			Min.	Typical		Max.			
Operation Voltage				1.5	3	5	12		V
Output power	Psens	DATA 5V 1Kbps Data Rate	315MHz	-11.8	4	10	16		dBm
			Supply current	3.1	11	20	57		mA
		434MHz	-8.5	4	10	16		dBm	
			Supply current	2.9	11	22	59		mA
Tune on Time	Ton	Data start out by Vcc turn on	10	20				ms	
Data Rate			200	1k			10k	bps	
Input duty		Vcc=5V; 1kpbs data rate	40				60	%	

Copyright 2005 King Wins All Rights Reserved.

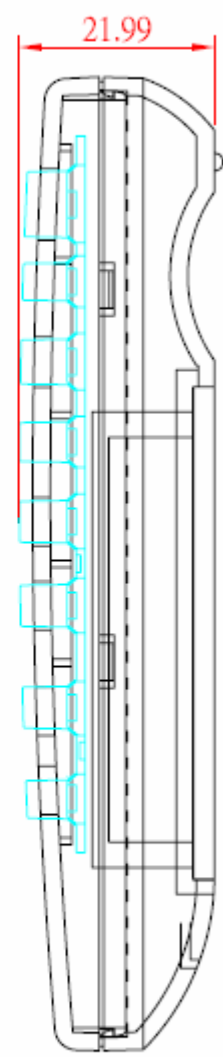
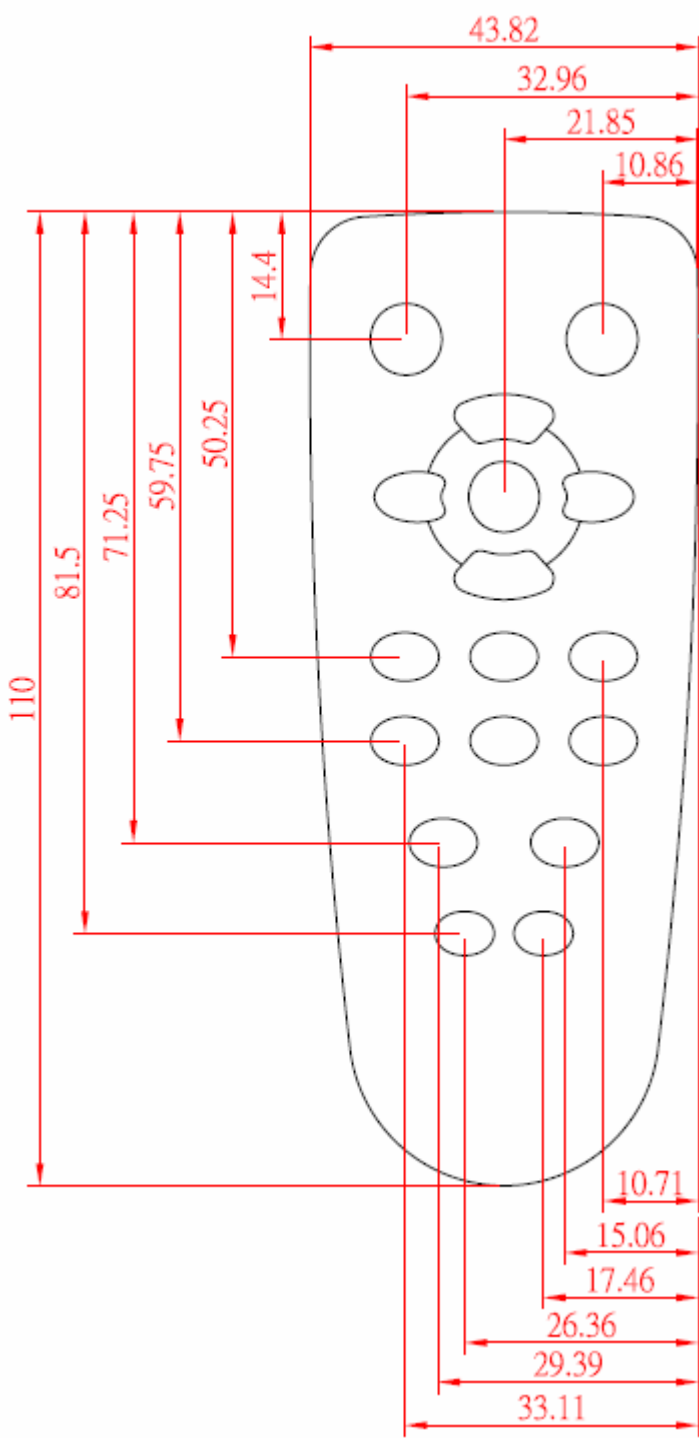
Office: 2F.No.1, Jian 1st Rd., Zhonghe City, Taipei County 235, Taiwan (R.O.C.)

Tel : 886-2-2223-3220 Fax: 886-2-2223-5739

[Http://www.kws.com.tw](http://www.kws.com.tw)



MACHINE COMPOSITION :



Copyright 2005 King Wins All Rights Reserved.



■ Pressed key : PANTONE 271C

■ Top and Bottom Shell : PANTONE BLACK

Top shell's character is a silver

On pressed key's character is : pantone white

Logo For black bottom silver

Copyright 2005 King Wins All Rights Reserved.

Office: 2F.No.1, Jian 1st Rd., Zhonghe City, Taipei County 235, Taiwan (R.O.C.)

Tel : 886-2-2223-3220 Fax: 886-2-2223-5739

[Http://www.kws.com.tw](http://www.kws.com.tw)



DISCLAIMER

THIS DEVICE COMPLIES WITH PART 15 OF THE FCC RULES. OPERATION IS SUBJECT TO THE FOLLOWING TWO CONDITIONS: (1) THIS DEVICE MAY NOT CAUSE HARMFUL INTERFERENCE. AND (2) THIS DEVICE MUST ACCEPT ANY INTERFERENCE RECEIVED, INCLUDING INTERFERENCE THAT MAY CAUSE UNDESIRE OPERATION.

NOTE: THE MANUFACTURER IS NOT RESPONSIBLE FOR ANY RADIO OR TV INTERFERENCE CAUSED BY UNAUTHORIZED MODIFICATIONS TO THIS EQUIPMENT. SUCH MODIFICATIONS COULD VOID THE USER'S AUTHORITY TO OPERATE THE EQUIPMENT.

Copyright 2005 King WinS All Rights Reserved.

Office: 2F.No.1, Jian 1st Rd., Zhonghe City, Taipei County 235, Taiwan (R.O.C.)

Tel : 886-2-2223-3220 Fax:886-2-2223-5739

Http://www.kws.com.tw