

M613M User Manual



注意事项: announcements :

1. 本产品是以记录车辆外部影响为目的的辅助产品，使用产品并不能保障用户的驾驶安全，用户的使用本产品过程中，因为产品故障、信息丢失、操作本产品导致的驾驶事故及导致的任何损失，与本公司无关。

1. This product is a record vehicle external influence, auxiliary products for the purpose of using product and do not guarantee the driving safety of users, in the process of the users use this product, It has nothing to do with our company that caused by the product fault, information loss, driving accidents and any loss Which caused by operating this product

2. 本产品因为车辆状况、驾驶方式、行驶环境等差异，可能存在部分功能无法正常工作的情况。断电、超出正常温度湿度环境使用、碰撞、存储卡损坏等原因，都可能会导致录制无法正常进行，本产品不保障在任何情况下均可完整保存所有视频。本产品录制的行车录像仅供参考。

The product may not work properly.due to the difference of vehicle condition, driving mode and driving environment, It may cause the videos can't be recorded properly as Electricity use, beyond the normal temperature humidity, collision, SD card damaged , ect, this product can't guarantee all the videos would be stored completely in any case .

The video recording of this product is for reference only.

3. 请正确安装本产品，不要阻挡驾驶员的视线，不要阻挡安全气囊，否则容易造成产品故障和人身伤害。

Please install this product correctly , do not resist the sight of drivers , and do not resist safety airbag , otherwise will caused fault and personal damage easily

4. 请将本产品远离强磁场，强磁场可能导致设备损坏。

Please keep this product away from the magnetic field , strong magnetic field may caused device damaged

5. 在开机状态下请勿插拔存储卡，否则可能导致存储卡损坏。

Please do not insert or pull out of the SD card , otherwise may caused SD card damaged

6. 本产品使用的存储卡，不能用于存储录像视频和升级包以外的文件，使用前请先格式化存储卡。请使用 16G、class10 以上的存储卡。

The SD card cannot be used to store recorded videos and out off upgrade package. Please reset the SD card before use. Please use a SD card of 16G and class10.

7. 通常存储卡会有使用寿命，长期使用存储卡可能会因写入速度下降而导致视频无法正常保存，请在出现这种情况时及时更换新的存储卡。因存储卡问题导致视频无法保存，本公司不承担任何责任。

7. It is usually that there will be a service life of the SD card, It may caused videos can not be saved properly due to SD card use for a long time , In this case you should change a new SD card It has nothing to do with our company that the videos can't be stored which caused by SD card problem

8. 禁止在 70°C 以上的高温和 -20°C 以下的低温环境使用本产品

Please do not use this product at 70°C high temperature and -20°C low temperature

9. 请使用本产品标配的车充头、车充线和支架等配件，以免规格不符带来的使用故障。

10. 9. Please use this product standard car charger head, car charger lines and brackets and other accessories, to avoid inconsistent specifications caused by the use of failure.

11. 长时间不使用本设备，设备内的电池电量可能会耗尽，重新开机时，会需要重新设置系

统时间。

10. Without using this device for a long time, the battery power in the device may run out, and the system time will need to be reset when restarting.

12. 禁止在 70℃以上的高温和-20℃以下的低温环境使用本产品 12. Banned at above 70 °C and 20 °C under low temperature environment using this product

13. 请使用本产品标配的车充头、车充线和支架等配件，以免规格不符带来的使用故障。13. Please use the vehicle filling head, filling line and bracket of this product, so as to avoid the use failure caused by the specification.

14. 长时间不使用本设备，设备内的电池电量可能会耗尽，重新开机时，会需要重新设置系统时间。

14. Without using this device for a long time, the battery power in the device may be exhausted, and the system time will need to be reset when restarting.

基本参数 The basic parameters

产品型号：Product model:

传感器：sensor

分辨率：resolution

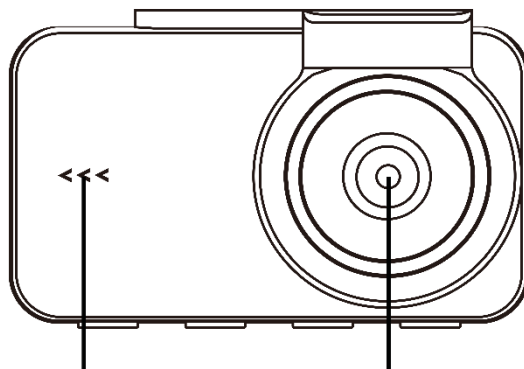
镜头：lens

电池：battery

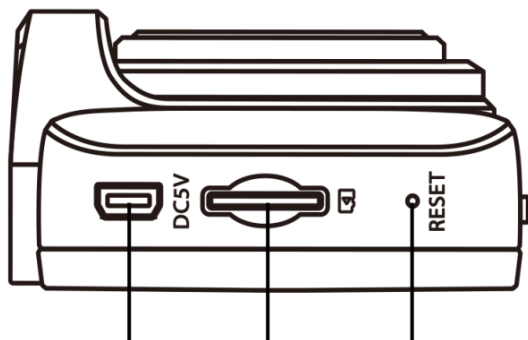
WIFI: WIFI

尺寸：SIZE

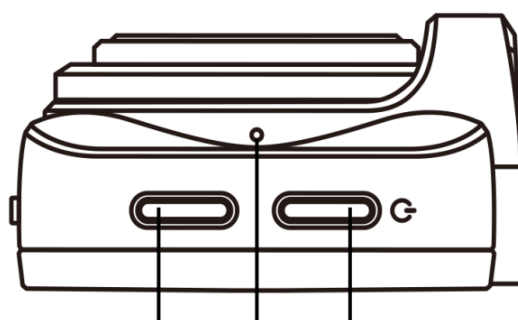
产品外观 Product appearance



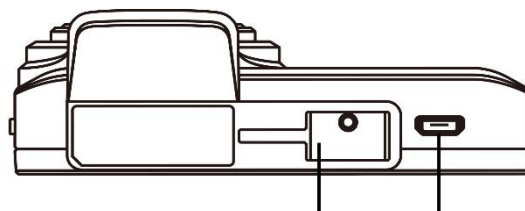
喇叭出音孔 Speaker hole 镜头 lens



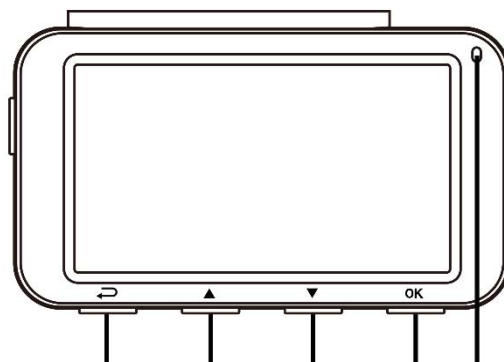
电源接口 The power interface 存储卡槽 SD card slot 复位键(用长针长按)Reset key (press with long needle)



2CH 按钮 button 麦克风 microphone 电源开关 power switch



卡槽 Card slot 后方相机口 Rear camera port



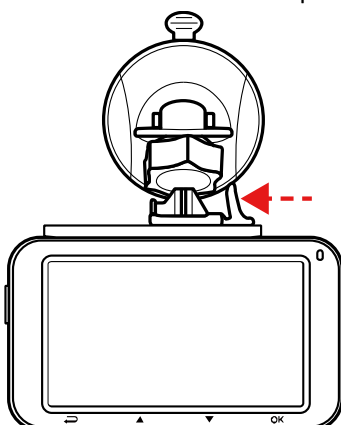
返回 back 向上 up 向下 down 确认 ok REC 灯 light

安装说明 Installation instructions

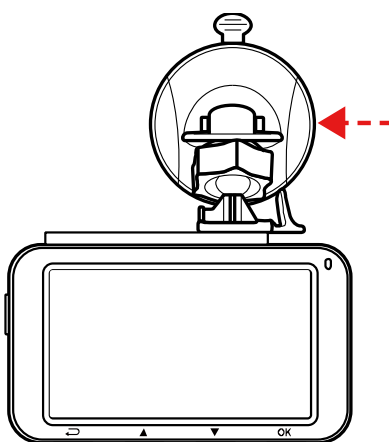
1.连接记录仪与支架 . Connection recorder and bracket.

将支架向下插入记录仪顶部的支架槽，然后向左侧推送，听见“咔哒”一声后即完成连接。

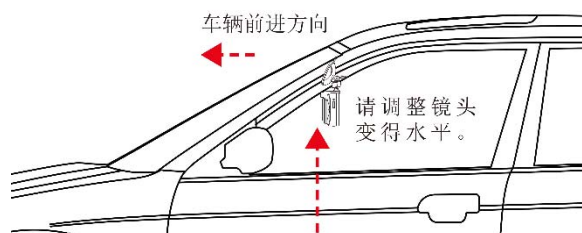
Insert the bracket downward into the bracket slot at the top of the recorder, then push to the left, and when you hear "click", the connection will be completed.



2. 如图所示，将吸盘支架固定在玻璃上即可。 2. Fix the sucker bracket on the glass as shown.

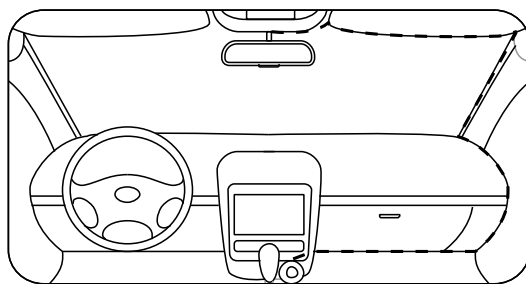


3. 请在支架上安装本体，调整镜头的方向和车辆进行方向和水平 Please install the body on the bracket to adjust the direction of the lens and the direction and level of the vehicle.



4. 排线取电 Take electricity wiring

按照下图所示的方式，将车充线沿前挡风玻璃顶部、A柱、副驾驶位储物箱，排至点烟器口，连接车充头后，插入点烟器口取电。 According to the method shown in the figure below, fill the top of the front windshield, A column, and the auxiliary driving seat of the car to the port of the cigarette lighter. After connecting the charger, the cigarette holder will be plugged into the cigarette holder to take power.



*请使用包装盒内的撬棒将车充线埋入 A 柱胶条

Please use the pry bar inside the box to bury the car line into A string.

*不同车辆点烟器口的位置可能不同，上图仅供参考

* the position of cigarette lighter in different vehicles may be different.

The figure above is for reference only.

使用说明 Directions for use

1. 调整记录仪角度 1. Adjust the Angle of the recorder.




连接电源后开机，对照主界面的预览画面，扳动记录仪调整摄像头的角度，确保摄像头朝向车头正前方。After connecting the power supply, turn on the camera and adjust the camera Angle of the camera to make sure the camera is facing forward.

1. 开启录制和主界面 1. Open recording and main interface.




每次开机时自动开始录像，屏幕右上角会有红点闪烁表示正在录像。Every time the video is started automatically, a red dot will appear in the upper right corner of the screen.


 点击进入菜单列表。click into the menu list.





菜单列表内容包括：影响解析度、录影间隔、荧幕设定、声音记录、碰撞侦测、时间标记、泊车模式、防光灯拍摄、曝光值、播放、档案删除、格式化、SD 卡状态、手动时间设定、卫星时间时区设定、卫星时间同步设定、按键声音设定、音量设定、语言设定、卫星状态、速度单位、自订限速提示、回复原厂设定、初体版本。Menu list include: influence resolution, video recording interval, screen, voice recording, collision detection, timestamp, parking pattern, prevent light shooting, exposure, broadcast, file deletion, format, the state of SD card, manual timezone setting, time setting, satellite time satellite voice set time synchronization setting, buttons, the volume setting, language setting, satellite state of the speed limit, speed unit, custom tip, reply original factory setting, the

early version. : 点击进入视频列表（前后镜头影像）和照片列表（前后镜头照片）。
Click on the video list (front and back) and the photo list (front and back).



: 点击回到前面的画面。

Click back to the previous screen. : 向上选择 Up to choose

: 向下选择 Select down

OK: 确定 yes

: 点击拍照。Click to take photos.

: 点击进入视频紧急视频录制。Click to enter video emergency video recording.



车辆发生碰撞或手动点击抓拍时，记录仪可以将碰撞视频段落存放在紧急视频目录下，方便用户查看。When the vehicle crashes or manually clicks the snapshot, the recorder can store the collision video section in the emergency video directory, which is convenient for users to view.

由于行驶过程中的道路状况非常复杂，记录仪并不确保每次发生紧急状况是都能将视频存放到紧急视频目录。如果无法再紧急视频目录找到视频，请到普通视频目录查看。

Due to the complexity of road conditions in the driving process, the recorder does not ensure that video can be stored in the emergency video directory every time an emergency occurs.

If you can't find video in the video directory again, please go to the normal video directory.

紧急视频的存储最多不超过存储卡容量的 20%，达到存储上限后，新增紧急视频时将会删除最早的紧急视频，请及时导出重要的紧急视频到手机或电脑备份。

具体的紧急视频存储数量请参考“录像存储说明”部分的描述。Emergency video storage is no more than 20% of the memory card capacity, after reaching maximum storage, when the new emergency video will delete the first emergency video, please timely export important emergency backup video to mobile phone or computer.

For specific emergency video storage, please refer to the description of "video storage instructions" section.

3.录像回放



点击主界面“”图标，进入视频选择列表后，可以选择具体的视频进行

回放。Click on the "icon" icon in the main interface, and after entering the video selection list, you can select the specific video for playback.

↶: 点击回到视频列表 Click back to the video list. ◀◀: 点击切换上一个视频 Click on a video.

▶▶: 点击切换下一个视频 Click on the next video. ||: 点击进行切换播放/

暂停状态 Click to switch play/pause state.

4.内存说明 Video playback

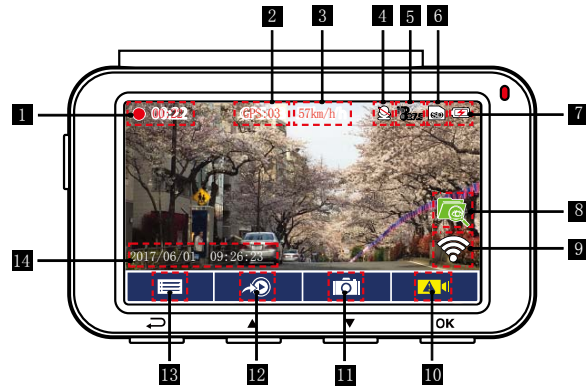


图标颜色 Icon color	使用的容量 Usable capacity	应该采取的行动 Actions that should be taken.
绿色	20% 以下 Less than 20%	无 none
黄色	21% - 70%	可以备份 can backup
红色	71% 以上 More than 71%	请备份 please backup

5.界面说明



REC 灯	
闪烁（红） Flicker (red)	录像中 taking videos
点灯（红） turn on (red)	充电中 charging
点灯（绿） turn on (green)	菜单（没有充电） menu (not charging)
红色—灭灯 red-turn off light	需充电 need to charge



编号	名称 name	说明 instructions	编号	名称 name	说明 instructions
1	记录时间 time record	录像中显示现在影像的记录时间 The recording time of the present image is shown in the video.	2	GPS 图标 The GPS icon	显示 GPS 定位 GPS positioning
3	行驶速度 显示 driving speed show	显示行车速度。显示的行车速度，根据 GPS 的接收状况（有偏差） Show the speed of the car. Display speed, according to GPS reception (deviation)	4	语音录音 Voice recordi ng	显示声音录音的 ON / OFF showing recorded voice ON/OFF
5	分辨率 resolution	显示视频或静止画面的分辨率 Display the resolution of video or static image.	6	SD 卡	显示 SD 卡是否被插入 Shows whether the SD card is inserted.
7	电 池 battery	显示电池的状态 Display battery status.	8	事件文 件夹	在 SD 卡内显示活动文件夹的存储状态 Displays the storage status of active folders in the SD card.
9	WIFI 连接 状 态 WIFI Connectio n status	显示 WiFi 是否连接 Show whether WiFi is connected.	10	紧急录 像	按这个按钮手动活动录像 Press this button to activate the video.
11	拍照 take photos	按这个按钮拍照 Press this button to take pictures.	12	视频、 照片文 件夹	按这个按钮，显示录像/照片文件夹 Press this button to display the video/photo folder.
13	菜 单 menu	按下按钮，显示菜单 Press the button to display the menu.	14	日期 / 时间	日期和时间的显示 Date and time display.

录像存储说明 Video storage instruction

请使用 16G 及以上存储卡，不同容量的存储卡可能存储的普通视频和紧急视频数量如下：
Please use 16 gigabytes and above storage CARDS, the number of ordinary video and emergency video stored in different storage CARDS may be as follows.

视频类型 Video type	16G	32G	64G
普通视频 Ordinary video	约 1.5 小时 About 1.5 hours	约 3 小时 About 3 hours	约 6 小时 About 6 hours
紧急视频 Emergency video	约 10 次 About 10 times	约 20 次 About 20 times	约 40 次 About 40 times
视频类型	16G	32G	64G
普通视频	约 1.5 小时	约 3 小时	约 6 小时
紧急视频	约 10 次	约 20 次	约 40 次

普通视频和紧急视频均采用循环擦写存储方式，为了保障关键的视频不会被擦除，请在发生交通事故后，及时将视频导出到手机或电脑等其他设备上备份。Ordinary video and emergency video adopts circular wipe storage way, in order to ensure the video key will not be erased, please, after the traffic accident in a timely manner to video export to backup on mobile phones or computers and other equipment.

存储卡经过多次循环擦写之后可能会损坏或老化，以致无法正常保存视频文件，遇到这种情况请及时更换新的存储卡。The memory card can be damaged or aged after many cycles, so it can't keep the video files normally. Please replace the new memory card in time.

售后服务与支持 After-sales service and support.

行车记录仪产品保修条例 Driving recorder product warranty

行车记录仪产品售后服务严格依据《中华人民共和国消费者权益保护法》、《中华人民共和国产品质量法》实行售后三包服务，服务内容如下：After-sales service of tachograph products is strictly based on the "Law of the People's Republic of China on Protection of Consumer Rights and Interests" and "Product Quality Law of the People's Republic of China"

1. 保修期限 Warranty period

*自您签收次日起七日内，本产品出现《产品性能故障表》所列性能故障的情况，经由售后服务中心检测确定，可免费享受退货或换货服务 Since the receipt of your receipt within seven days from the next day, the product appears in the "product performance failure table" listed in the performance failure, determined by the after-sales service center testing, free to enjoy the return or replacement service

*自您签收次日起 8 日-15 日内，本产品出现《产品性能故障表》所列性能故障的情况，经由售后服务中心检测确定，可免费享受换货或者维修服务； Since the receipt of your sign within 8 days from the next day - 15 days, this product appears "product performance fault table" listed in the performance failure, determined by the service center testing, free to enjoy the replacement or repair services;

*自您签收次日起 12 个月内，本产品出现《产品性能故障表》所列性能故障的情况，经由售后服务中心检测确定，可免费享受维修服务； *Since the receipt of your product within 12 months from the next day, the product "performance failure table" listed in the performance of

the failure of the situation, determined by the after-sales service center testing, free to enjoy maintenance services;

2.非保修条例 Non-warranty regulations

* 未经授权的维修、误用、碰撞、疏忽、滥用、进液、事故、改动、不正确的使用非本产品配件，或撕毁、涂改标贴、防伪标记； Unauthorized repairs, misuse, collision, negligence, misuse, infusions, accidents, alterations, improper use of parts other than this product, or torn, altered stickers, anti-counterfeit labels;

*已超过三包有限期； Three packs have expired; * Damage due to force majeure;

*因不可抗力造成的损坏； Does not meet the performance breakdown listed in the Product Performance Failure Table

不符合《产品性能故障表》所列性能故障的情况； Due to human-caused causes of this product and accessories have "product performance failure table" listed in performance failure. 因人为原因导致本产品及配件产生《产品性能故障表》所列性能故障。 This product and accessories are caused by the performance fault of the product performance fault table.

3.产品性能故障表 3. Product performance failure table.

名称 name	性能故障
DVR 行车记录仪	1. 产品存在破损 1. The product is damaged. 2. 屏幕无显示 2. The screen is not displayed. 3. 无法开机、不能录像 3. Unable to turn on or video. 4. 按键无功能 4. No function of buttons. 5. 其他出厂硬件故障导致的功能无法正常使用 The function of other factory hardware failure can not be used normally.
名称	性能故障
行车记录仪 DVR	6. 产品存在破损. The product is damaged. 7. 屏幕无显示 The screen is not displayed. 8. 无法开机、不能录像 Unable to turn on or video. 9. 按键无功能 No function of buttons. 10. 其他出厂硬件故障导致的功能无法正常使用 The function of other factory hardware failure can not be used normally.

FCC Statement:

This device complies with part 15 of the FCC Rules. Operation is subject to the following

two conditions: (1) This device may not cause harmful interference, and (2) this device

must accept any interference received, including interference that may cause undesired operation.

This equipment has been tested and found to comply with the limits for a Class B digital

device, pursuant to part 15 of the FCC Rules. These limits are designed to provide reasonable protection against harmful interference in a residential installation. This equipment generates, uses and can radiate radio frequency energy and, if not installed and used in accordance with the instructions, may cause harmful interference to radio communications. However, there is no guarantee that interference will not occur in a particular installation. If this equipment does cause harmful interference to radio or television reception, which can be determined by turning the equipment off and on, the

user is encouraged to try to correct the interference by one or more of the following measures:

- Reorient or relocate the receiving antenna.
- Increase the separation between the equipment and receiver.
- Connect the equipment into an outlet on a circuit different from that to which the receiver is connected.
- Consult the dealer or an experienced radio/TV technician for help.

Caution: Any changes or modifications not expressly approved by the party responsible

for compliance could void the user's authority to operate the equipment.

This equipment complies with FCC radiation exposure limits set forth for an uncontrolled environment. This transmitter must not be co-located or operating in conjunction with any other antenna or transmitter.

This equipment complies with FCC radiation exposure limits set forth for an uncontrolled

environment. This equipment should be installed and operated with minimum distance 20cm

between the radiator&your body.