



products with a watertight reputation

WARNING

Chemical Burn Hazard
Keep Battery away from Children

Warning :

This product contains a lithium button/coin cell battery. If a new or used lithium button/coin cell battery is swallowed or enters the body, it can cause severe internal burns and can lead to death in as little as 2 hours. Always completely secure the battery compartment. If the battery compartment does not close securely, stop using the product, remove the batteries, and keep it away from children. If you think batteries might have been swallowed or placed inside any part of the body, seek immediate medical attention.

Disposal of batteries :

Do not put batteries in the trash, take them to battery recycling location or contact your community for disposal instruction.

Keep away from children and even used cells may cause injury.

Aquatic AV
282 Kinney Drive
San Jose, CA 95112, USA

E-mail: info@aquaticav.com
US & Canada: 1 877 579 2782
International: +1 408 559 1668
Fax: +1 408 559 0125

www.aquaticav.com



6500-885 - DIGITAL MEDIA LOCKER™
for Bluetooth, MP3 devices

OWNERS MANUAL



! PLEASE READ THIS INSTRUCTION MANUAL BEFORE INSTALLATION AND OPERATION !

1 Getting Started 3

 1.1 Contents..... 3

 1.2 Connections..... 3

 1.3 12-pin Harness Connection..... 4

 1.4 Mounting the Digital Media Locker..... 4

 1.5 Power On..... 5

2 Location of Controls..... 5

 2.1 Digital Media Locker Controls..... 5

3 Listening to Devices..... 6

 3.1 Listening via Bluetooth..... 6

 3.1.1 Pair with Bluetooth Device..... 6

 3.1.2 Listening via Bluetooth Device..... 6

 3.2 Listening via Auxiliary Input..... 6

4 Specifications & Dimensions..... 7

 4.1 Specifications..... 7

 4.2 Dimensions..... 7

5 Warranty Information..... 8

FCC ID:
MADE IN CHINA

This device complies with Part 15 of the FCC Rules. Operation is subject to the following two conditions: (1) this device may not cause harmful interference, and (2) this device must accept any interference received, including interference that may cause undesired operation.

NOTE:

The equipment has been tested and found to comply with the limits for a Class B digital device, pursuant to Part 15 of the FCC Rules. These limits are designed to provide reasonable protection against harmful interference in a residential installation. This equipment generates, uses and can radiate radio frequency energy and, if not installed and used in accordance with the instructions, may cause harmful interference to radio communications. However, there is no guarantee that interference will not occur in a particular installation.

If this equipment does cause harmful interference to radio or television reception, which can be determined by turning the equipment off and on, the user is encouraged to try to correct the interference by one or more of the following measures:

- Reorient or relocate the receiving antenna.
- Increase the separation between the equipment and receiver.
- Consult the dealer or an experienced radio/TV technician for help.

The manufacturer is not responsible for any radio or TV interference caused by unauthorized modifications to this equipment. Such modifications could void the user authority to operate the equipment.

This equipment complies with FCC radiation exposure limits set forth for an uncontrolled environment. This equipment should be installed and operated with minimum distance 20cm between the radiator & your body.

Patent: 8,578,081

Digital Media Locker is a trademark of Aquatic AV Inc. iPhone, iPod, iPod touch and iPod nano are trademarks of Apple Inc., registered in the U.S. and other countries.

Made for iPod and Made for iPhone mean that an electronic accessory has been designed to connect specifically to iPod or iPhone respectively, and has been certified by the developer to meet Apple performance standards. Apple is not responsible for the operation of this device or its compliance with safety and regulatory standards. Please note that the use of this accessory with iPod or iPhone may affect wireless performance.

Product design and specification subject to change without notice. E&OE.

Doc V1.5



Aquatic AV offers a limited warranty of our products on the following terms:

Length of warranty

2 years on audio systems, electronics, speakers, and accessories (receipt required).

Coverage

This warranty covers only the original purchaser of a Aquatic AV product purchased from an authorized Aquatic AV dealer in the United States. In order to receive service, the purchaser must provide Aquatic AV with a copy of the receipt stating the customer name, dealer name, product purchased and date of purchase.

Defective products

Products found to be defective during the warranty period will be repaired or replaced (with a product deemed to be equivalent) at Aquatic AV's discretion.

What is not covered

Damage caused by accident, abuse, improper operations, theft. Any cost or expense related to the removal or reinstallation of product. Service performed by anyone other than an authorized Aquatic AV service center. Any product with the serial number or tamper labels defaced, altered, or removed. Subsequent damage to other components. Any product not purchased from an authorized Aquatic AV dealer.

Limit on implied warranties

Any implied warranties including warranties of fitness for use and merchantability are limited in duration to the period of the express warranty set forth above. Some states do not allow limitations on the length of an implied warranty, so this limitation may not apply. No person is authorized to assume for Aquatic AV any other liability in connection with the sale of the product.

How to obtain service

You must obtain a return material authorization number (RMA) to return any product to Aquatic AV. You are responsible for shipping charges of returned products to Aquatic AV.

Please record the model and serial number[s] of your equipment in the space provided below as your permanent record and will assist us with your factory warranty coverage. These numbers can be found on the rear of the Digital Media Locker.

Model number[s]:	Serial number[s]:


1.1 Contents

- 6500-885 Digital Media Locker™
- Jack Cable (3.5mm Male to 3.5mm Male)
- Wiring Harness (AQ-UNH-2)
- Rear Mounting Bracket

1.2 Connections

1. 12-pin Watertight Harness

The 12-pin harness supplies power and ground connections to the Digital Media Locker and four (4) speaker channel output connections from the Digital Media Locker.

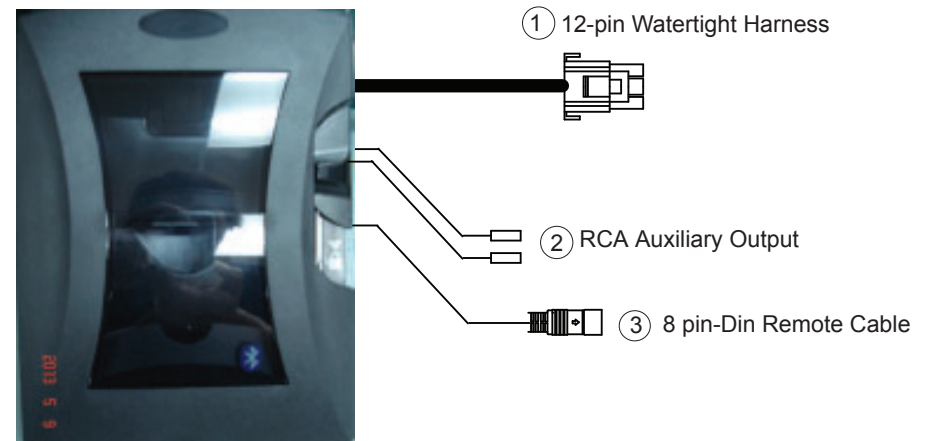
 Do not cut or modify the 12-pin harness on the Locker side or warranty will be void.

2. Auxiliary Outputs

Allows external amplifiers to be connected to power additional speakers.

3. 8-pin DIN Remote Receiver Cable

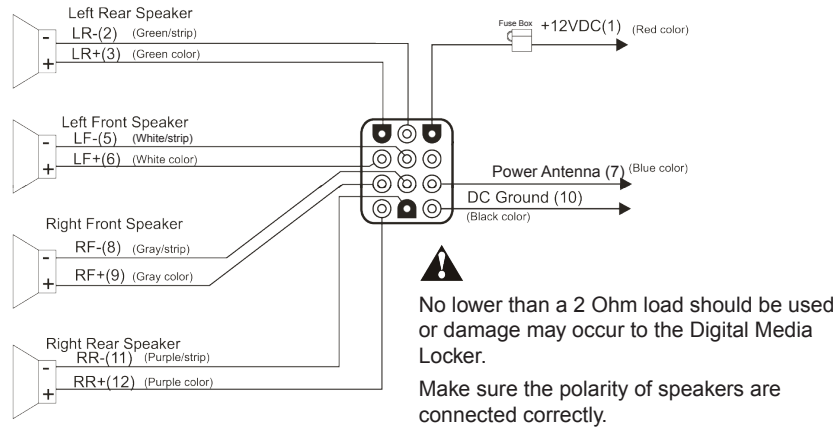
Connects to the RF Remote Control Receiver (optional).



1.3 12-pin Harness Connection

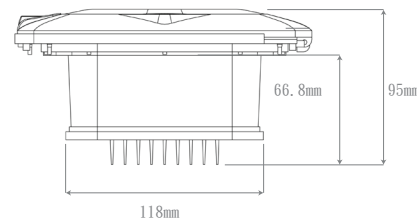
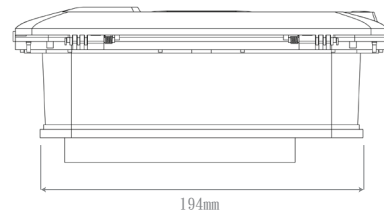
The 6500-885 includes the universal harness AQ-UNH-2 in order to connect the dock to power and speakers.

All open wire connections should be soldered and protected against water and dust for best long term performance.



1.4 Mounting the Digital Media Locker

1. A mounting template is included. Aquatic AV recommends using the 'measure twice, cut once' method!
2. Once the mounting hole is complete, make sure the outside surface is clean and clear of debris. The Digital Media Locker has an external water/dust proof gasket, but this requires a clean and flat surface for best performance.
3. The Digital Media Locker has six (6) front screws. Drive the screws using a screw driver. During final mounting apply equal pressure to all points for the best water/dust outer seal performance. Make sure screws are snug and do not over tighten.
4. Review all outside surfaces of the Digital Media Locker to ensure proper water/dust seal. This is important for long term environmental protection performance for your digital media device.



4.1 Specifications

Media
 Supported media..... Bluetooth/MP3
 Supported media max. dimensions.....107 x 184mm (WxH)

Inputs
 Auxiliary..... 1x 3.5mm Stereo Jack Socket

Outputs
 Pre-Out..... 1x Stereo pair RCA (4V)

Power
 Output voltage @ 2 Ohm..... 4x 72W
 Output voltage @ 4 Ohm..... 4x 45W
 Operation voltage..... 9.6V - 14.4V DC
 Max current draw..... 7A
 Standby current draw..... 6mA

Multi-Environment Certifications
 Waterproof / Dustproof..... Yes IP65 (Remote Control rated IP66)
 Conformal PCB coating..... Yes
 UV protection..... 500 hours stable, ASTM D4329 compliant
 Salt/Fog protection..... 500 hours stable, ASTM B117 compliant
 Stainless Steel mountings..... Yes

3.1 Listening via Bluetooth

3.1.1 Pair with Bluetooth Device

1. Switch on your Bluetooth device.
2. Select 'BLUEWAVE' from the list of available devices to pair (password is "0000").

i Only one Bluetooth device can be paired with the Digital Media Locker at any time.

3.1.2 Listening via Bluetooth Device

1. Bluetooth mode will be activated once a Bluetooth device is linked.
2. Play the song from device and the sound will play through the Digital Media Locker.

3.2 Listening via Auxiliary Input

1. Power up the Digital Media Locker.
2. Connect your MP3 device to the 3.5mm Jack input.

⚠ Always ensure to connect and disconnect your media player with dry hands!

1.5 Power On

Press the **⏻** on/off button inside the dock.

Red Light: Power to the docking station is ON, but the unit is in standby mode.

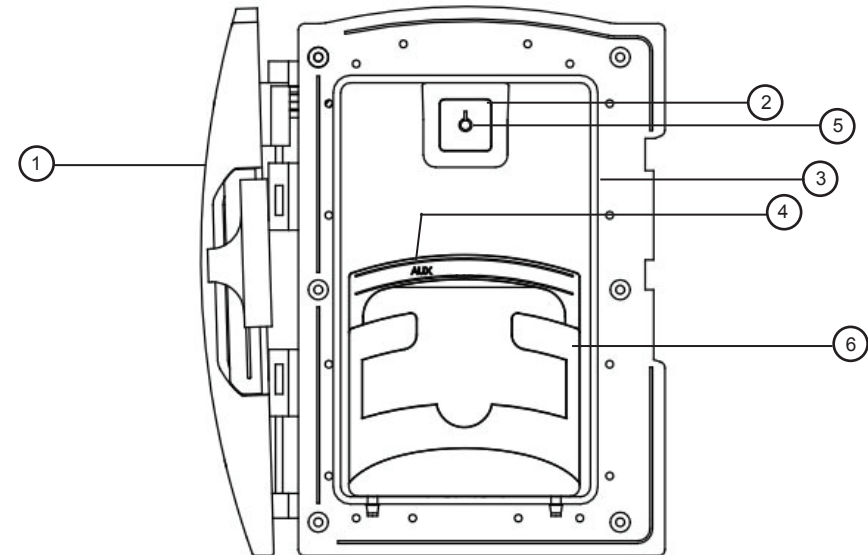
Blue Light: The unit is powered ON and looking for an audio source.

For applications that require low current draw and where battery drain may occur, the power button must be turned OFF inside the unit. When the power button is in the OFF position the red LED will not be lit.

For applications where a 12V battery is not used, such as in a Spa, the power button can be left ON and the remote control or door controls can then be used to power on/off accordingly.

Location of Controls

2.1 Digital Media Locker Controls



1. Open/Close Latch & Protective Door
2. Power ON/OFF Button
3. Water/Dust Protection Inner Gasket
4. 3.5mm Aux Input for MP3 Devices
5. Power ON/OFF LED
6. Phone Holder