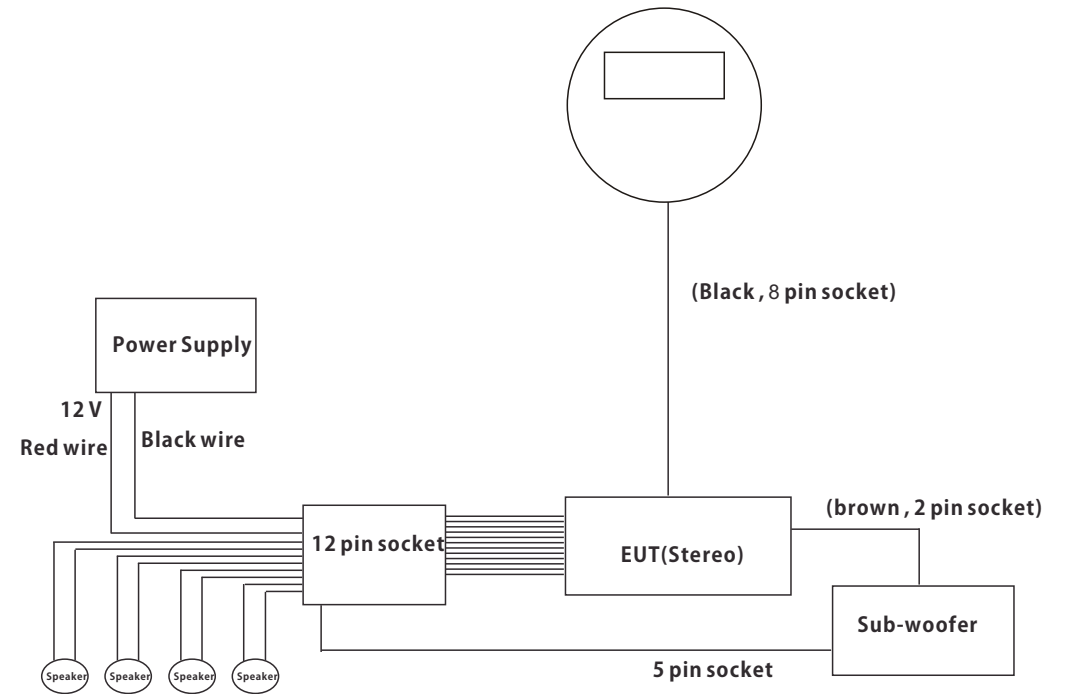


Set up of the 6500-915

1. Wire Remote
2. Power Supply
3. Stereo (6500-915)
4. Sub-woofer
5. Speaker x 4

Wiring diagram of 6500-915



- 1 Getting Started 3
 - 1.1 Contents..... 3
 - 1.2 Connections..... 3
 - 1.3 12-pin Harness Connection..... 4
 - 1.4 Mounting the BlueCube Media Player..... 4
- 2 Listening to Devices..... 5
 - 2.1 Listening via Bluetooth..... 5
 - 2.1.1 Pair with Bluetooth Device..... 5
 - 2.1.2 Listening via Bluetooth Device..... 5
 - 2.2 Listening via Auxiliary Input..... 5
 - 2.3 Adjust Volume Level..... 5
 - 2.4 Adjust Bass, Treble, Rock, Pop and Classic 5
- 3 Specifications & Dimensions..... 6
 - 3.1 Specifications..... 6
 - 3.2 Dimensions..... 6
- 4 Warranty Information..... 7

1.1 Contents

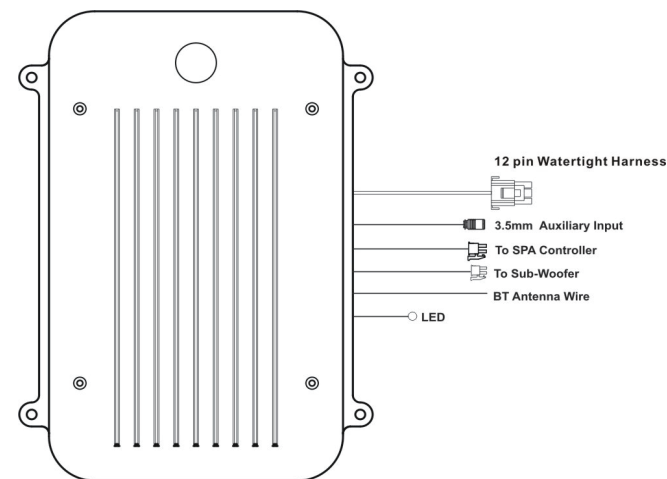
- 6500-915 Media Player
- Wiring Harness (AQ-UNH-2)
- Owner' s Manual

1.2 Connections

1. 12-pin Watertight Harness

The 12-pin harness supplies power and ground connections to the Media Player and four (4) speaker channel output connections from the Media Player.

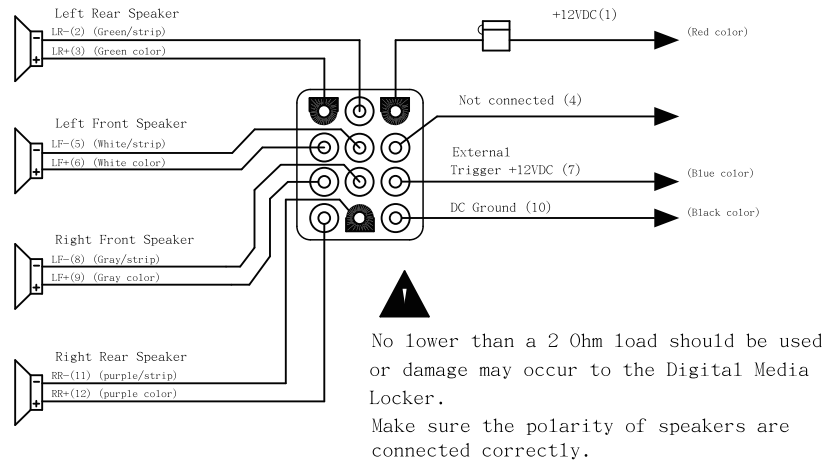
⚠ Do not cut or modify the 12-pin harness on the unit side or warranty will be void.



1.3 12-pin Harness Connection

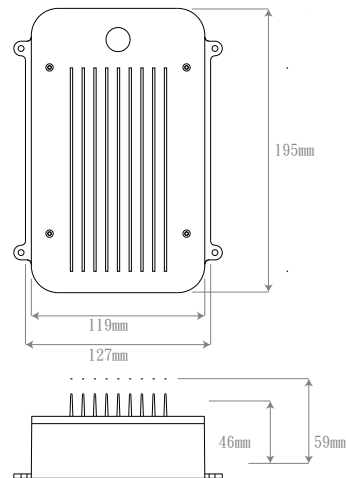
The 6500-915 rev.A includes the universal harness AQ-UNH-2 in order to connect the 6500-915 rev.A to power and speakers.

All open wire connections should be soldered and protected against water and dust for best long term performance.



1.4 Mounting the Media Player

1. Make sure the outside surface is clean and clear of debris.
2. The Media Player has four (4) front screws. Drive the screws using a screw driver. Make sure screws are snug and do not over tighten.



Listening to Devices

2.1 Listening via Bluetooth

2.1.1 Pair with Bluetooth Device

1. Switch on your Bluetooth device.
2. Select 'BLUEWAVE' from the list of available devices to pair (password is "0000").

Only one Bluetooth device can be paired with the Media Player at any time.

2.1.2 Listening via Bluetooth Device

1. Bluetooth mode will be activated once a Bluetooth device is paired.
2. Play the song from device and the sound will play through the device.
3. Press (PLAY/PAUSE) to play/pause the song.
4. Press (FAST REWIND/FORWARD) buttons to play previous/next song file.
5. Track and volume can be controlled directly from your Bluetooth device.

2.2 Listening via 3.5 jack Input

1. Connect your MP3 device to the RCA inputs.

Only one Auxiliary input (RCA) can be used at any one time.

2.3 Adjust Volume Level

Adjust volume level with the phone or the touch panel

2.4 Adjust Bass, Treble, Rock, Pop and Classic by the touch panel

3.1 Specifications

Media
 Supported media..... Bluetooth/MP3
 Device control..... via Bluetooth/MP3 device

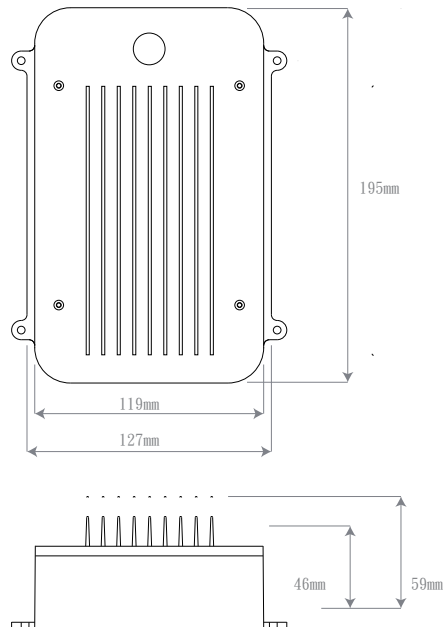
Inputs
 Auxiliary..... 1x 3.5 jack input

Outputs 4 channel speaker output in 12 pin harness
 sub-out for active sub-woofer

Power
 Output voltage @ 2 Ohm.....4x 72W
 Output voltage @ 4 Ohm.....4x 32W @1mv,10kHz input
 Operation voltage..... 9.6V - 14.4V DC
 Max current draw..... 7A
 Standby current draw..... 6mA

Multi-Environment Certifications
 Waterproof / Dustproof.....Yes IP64
 Conformal PCB coating..... Yes
 UV protection..... 500 hours stable, ASTM D4329 compliant
 Salt/Fog protection..... 500 hours stable, ASTM B117 compliant
 Stainless Steel mountings.....Yes

4.2 Dimensions



Aquatic AV offers a limited warranty of our products on the following terms:

Length of warranty
 2 years on audio systems, electronics, speakers, and accessories (receipt required).

Coverage
 This warranty covers only the original purchaser of a Aquatic AV product purchased from an authorized Aquatic AV dealer in the United States. In order to receive service, the purchaser must provide Aquatic AV with a copy of the receipt stating the customer name, dealer name, product purchased and date of purchase.

Defective products
 Products found to be defective during the warranty period will be repaired or replaced (with a product deemed to be equivalent) at Aquatic AV's discretion.

What is not covered
 Damage caused by accident, abuse, improper operations, theft. Any cost or expense related to the removal or reinstallation of product. Service performed by anyone other than an authorized Aquatic AV service center. Any product with the serial number or tamper labels defaced, altered, or removed. Subsequent damage to other components. Any product not purchased from an authorized Aquatic AV dealer.

Limit on implied warranties
 Any implied warranties including warranties of fitness for use and merchantability are limited in duration to the period of the express warranty set forth above. Some states do not allow limitations on the length of an implied warranty, so this limitation may not apply. No person is authorized to assume for Aquatic AV any other liability in connection with the sale of the product.

How to obtain service
 You must obtain a return material authorization number (RMA) to return any product to Aquatic AV. You are responsible for shipping charges of returned products to Aquatic AV.

Please record the model and serial number[s] of your equipment in the space provided below as your permanent record and will assist us with your factory warranty coverage. These numbers can be found on the rear of the BlueCube Media Player.

Model number[s]:	Serial number[s]:

This device complies with Part 15 of the FCC Rules. Operation is subject to the following two conditions: (1) this device may not cause harmful interference, and (2) this device must accept any interference received, including interference that may cause undesired operation.

Changes or modifications not expressly approved by the party responsible for compliance could void the user's authority to operate the equipment.

NOTE: This equipment has been tested and found to comply with the limits for a Class B digital device, pursuant to Part 15 of the FCC Rules. These limits are designed to provide reasonable protection against harmful interference in a residential installation. This equipment generates, uses and can radiate radio frequency energy and, if not installed and used in accordance with the instructions, may cause harmful interference to radio

will not occur in a particular installation. If this equipment does cause harmful interference to radio or television reception, which following measures:

- Reorient or relocate the receiving antenna.
- Increase the separation between the equipment and receiver. -- Connect the equipment into an outlet on a circuit different from that to which the receiver is connected.
- Consult the dealer or an experienced radio/TV technician for help.

FCC Radiation Exposure Statement

This equipment complies with FCC radiation exposure limits set forth for an uncontrolled environment. This equipment should be installed and operated with minimum distance 20cm between the radiator & your body