

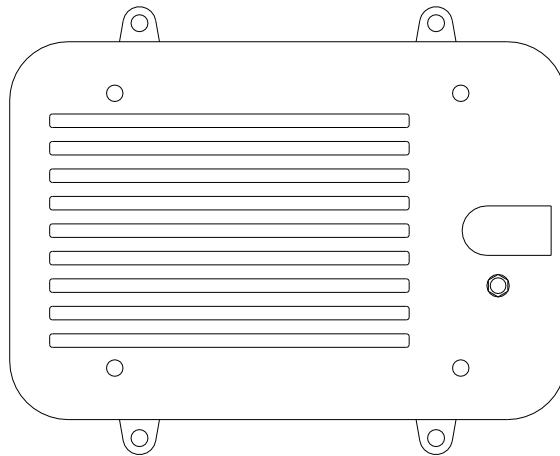


products with watertight reputation

**BLUECUBE+ AQ-BC-6UBT
'HIDE-AWAY' MEDIA PLAYER**

for Bluetooth, USB, iPhone, iPod, MP3 devices, and FM Radio

USER / INSTALLATION MANUAL



PLEASE READ THIS INSTRUCTION MANUAL BEFORE
INSTLAATION AND OPERATION



Table of Contents

Bluecube Media Player AQ-BC-6UBT

1 Getting Started	3
1.1 Contents	3
1.2 Connections	3
1.3 12-pin Harness Connection	4
1.4 Mounting the BlueCube Media Player	4
1.5 Power On	5
1.6 Handheld Remote Control Charging	5
1.7 Handheld Remote Control Synchronizing	5
2 Location of Controls	6
2.1 Wireless Handheld Remote Control	6
3. Listening to Devices	7
3.1 Listening via USB	7
3.1.1 USB thumb drive	7
3.1.2 Charging	7
3.2 Listening via Bluetooth	7
3.2.1 Pair with Bluetooth Device	7
3.2.2 Listening via Bluetooth Device	7
3.2.3 Multi-link	7
3.3 Listening via Auxiliary Input	7
3.4 Adjusting Volume Level	7
4. Listening to FM Radio	8
4.1 Enter FM Radio Mode	8
4.2 Scan or Seek FM Radio Channels	8
4.3 Saving Radio Channel to Memory	8
4.4 Listening to Saved Radio Memory	8
4.5 Adjust Volume Level	8
5 Using Audio Menu on Handheld Remote Control	8
6 Using VBass	8
7 Additional Features	9
5.1 External 12V Trigger	9
5.4 Connecting Multiple Amplifiers or High Current Draw Lighting Systems	9
8 Specifications & Dimensions	10
6.1 Specifications	10
6.2 Dimensions	10
9 Warranty Information	11
10 FCC Statements	12

Getting Started

Bluecube Media Player AQ-BC-6UBT

1.1 Contents

- AQ-BC-6UBT BlueCube+ Media Player
- 2-Way RF Waterproof Remote Control
- Wiring Harness (AQ-UNH-2)
- Four (4) Staineless Steel Mounting Screws
- Owner's Manual

1.2 Connections

1: 12-pin Watertight Harness

The 12-pin harness supplies power and ground connection to the BlueCube+ Media Player and four (4) speaker channel output connections from the BlueCube+ Media Player.

▲ Do not cut or modify the 12-pin harness on the unit side or warranty will be void.

2: FM Radio Antenna Jack

Connect antenna (AQ-ANT-1 sold separately) to female antenna receptacle. For best FM performance, make sure the antenna is extended to the highest achievable position.

3: Auxiliary Outputs - Rear

Allows external amplifiers to be connected to power additional speakers.

4: Auxiliary Outputs - Front

Allows external amplifiers to be connected to power additional speakers.

5: Auxiliary Inputs

Connect to a portable audio player through the AUX IN cable on the back of the BlueCube+ Media Player.

6: 12V DC External Trigger

Allows for an external light or relay to be triggered (2A max load). There are two external triggers

7: USB Connector

Connect a USB device play music.

8: Wired Remote 8-pin DIN Connector

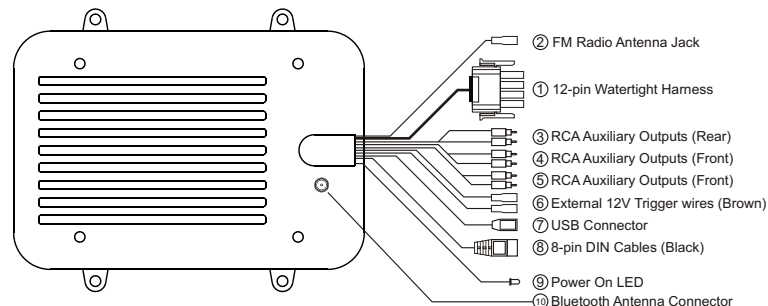
Connect to a wired Remote Control

9: Power On LED

When the BlueCube is powered On, the LED will lit.

10: Bluetooth Antenna Connection

Connect to the Male SMA connector of the Bluetooth antenna (AQ-BTANT-1). Do not apply excessive torque on the SMA connector (no more than 0.5N-m). Use hands to tighten the connection. (No wrench is used)



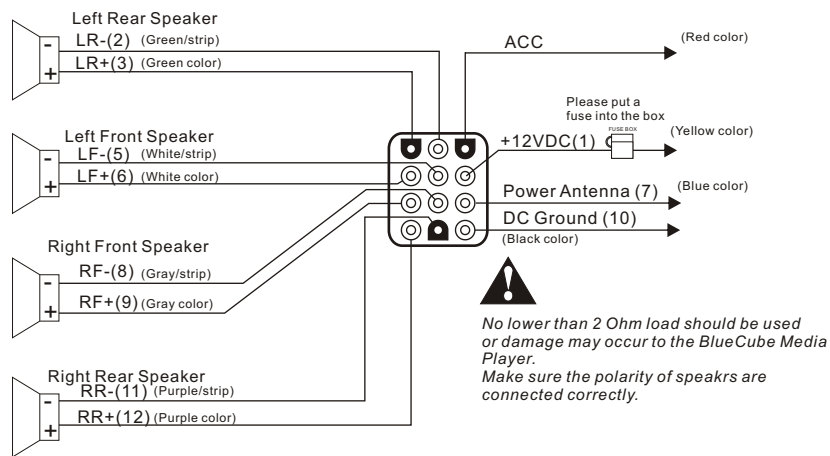
Getting Started

Bluecube Media Player AQ-BC-6UBT

1.3 12-pin Harness Connection

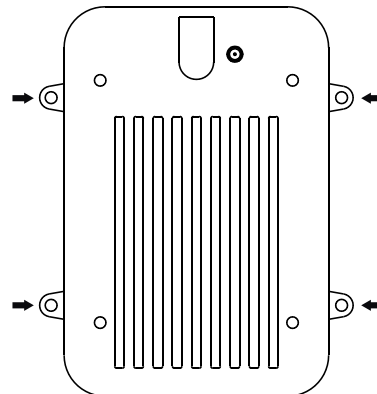
The AQ-BC-6UBT includes the universal harness AQ-UHN-2 in order to connect the BlueCube to power and speakers.

All open wire connections should be soldered and protected against water and dust for best long term performance.



1.4 Mounting the BlueCube Media Player

1. Make sure the outside surface is clean and clear of debris
2. The BlueCube Media Player has four (4) front screws. Drive the screws using a screw driver. Make sure screws are snug and do not over tighten.



1.5 Power On

The AQ-BC-6UBT requires +12V dc to both the red and yellow wires. When both of these wires have power, the AQ-BC-6UBT is always powered on and is indicated by a red LED coming out of the heatsink of the stereo. Ground is connected to the Black wire.

In a SPA application, this requires the red and yellow wires to be jumped together and then connected to +12V dc output of the power source. In this set up, the AQ-BC-6UBT will always be on, with a very low current draw when idle.

In a boat, ATV or other application requiring power from a battery, the yellow wire (constant power) should be connected to the battery, and the red wire connected to the ignition or a switch.

For detailed instructions, you can check out our online video:
"How to wire your Aquatic AV stereo system"
<http://www.aquaticav.com/support/videos>

1.6 Handheld Remote Control Charging

The remote has a built-in Polymer Lithium rechargeable battery. It comes with a custom made charging cable which is used. Connect one end to the blades of the remote control and another to any USB charger (5V dc) for charging.

Make sure the remote has been charged before used.

1.7 Handheld Remote Control Synchronizing

The remote should already be paired from the factory, but if you need to synchronize the remote, follow below steps.

1. Make sure BlueCube+ Media Player (AQ-BC-6UBT) is powered ON (red LED lit)
2. Put the remote close to the BlueCube+ Media Player (within 0.5 meter)
3. Press and hold **MODE** on remote control until the LCD shows "Pairing in Progress". Release the button.
3. Within 2 seconds, the LCD will show "Paired". If it fails to pair, the LCD will show "Retry again". If this happens, wait 5 seconds and repeat the above procedures.

For any additional remote controls, you will also need to synchronize those remote controls to the BlueCube Media Player (AQ-BC-6UBT).

- i** If the pairing process is not successful, try again to put your remote close to the dongle.
- i** Depending on the frequency of usage, the remote might drain its battery. Please charge the remote before use. If the LCD shows nothing, it means that the battery has been drained.
- i** If you have lost your remote control and buy a new remote control, please follow the above steps to pair the remote control

Location of Controls

Bluecube Media Player AQ-BC-6UBT

2.1 Wireless Handheld Remote Control AQ-RF6UBT-T (sold separately)



Buttons	Button Action	Bluetooth	AUX	MP3	FM Radio	
Power		Press once: Press and hold:	Toggle Operational mode to Standby mode or vice versa No function			
Mode/Pair		Press once: Press and hold:	Change mode Synchronize remote control			
Volume Up		Press once: Press and hold:	Volume up Fast volume up			
Volume Down		Press once: Press and hold:	Volume down Fast volume down			
Fast Forward		Press once: Press and hold:	Next track Fast forward	No function No function	Next track Fast forward	+0.05kHz Scan up
Fast Rewind		Press once: Press and hold:	Previous track Fast Rewind	No function No function	Previous track Fast Rewind	-0.05kHz Scan down
Play/Pause		Press once: Press and hold:	Play / Pause No function	Mute / unmute No function	Play / Pause No function	Mute / unmute No function
1		Press once: Press and hold:	No function No function	No function No function	No function No function	Preset 1 Save to Preset 1
2		Press once: Press and hold:	No function No function	No function No function	No function No function	Preset 2 Save to Preset 2
3		Press once: Press and hold:	No function No function	No function No function	No function No function	Preset 2 Save to Preset 2
EXT Trigger		Press once: Press and hold:	Toggle EXT 1 on/off Toggle EXT 2 on/off *	Toggle EXT 1 on/off Toggle EXT 2 on/off *	Toggle EXT 1 on/off Toggle EXT 2 on/off *	Toggle EXT 1 on/off Toggle EXT 2 on/off *
Audio		Press once: Press and hold:	Enter Audio Menu Exit Audio menu			
VBass		Press once: Press and hold:	Toggle VBass on/off No function			

3.1 Listening via USB

3.1.1 USB thumb drive

1. Attach your USB thumb drive to the femal USB socket of the BlueCube+ Media Player.
2. Press **MODE** on the remote to select USB mode.
3. Press ►|| to play or pause the music.
4. Press once ◀|▶ to play previous / next song file.
5. Press and hold ◀|▶ to fast forward / fast rewind the song file.

3.1.2 Charging

The USB socket can deliver 2.1A of current to charge a device battery.

3.2 Listening via Bluetooth

3.2.1 Pair with Bluetooth Device

1. Switch on your Bluetooth device.
2. Select 'AQUATIC AV' from the list of available devices to pair (no password is needed).

3.2.2 Listening via Bluetooth Device

1. Bluetooth mode will be activated once a Bluetooth device is paired in any mode. Use MODE to change to the Bluetooth mode to listen to music.
 2. Play the song from device and the sound will play through the Bluecube Media Player.
 3. Press ►|| to play/pause the song.
 4. Press ◀|▶ to play previous or next song
 5. Press and hold ◀|▶ to fast forward / fast rewind the song file.
- Track and volume can also be controlled directly from your Bluetooth device or remote control.

3.2.3 Multi-link

A second Bluetooth device an always pair to the BlueCube Media Player even when it has been paired to another Bluetooth device.

3.3 Listening via Auxiliary Input

1. Connect your MP3 device ot the RCA inputs
2. Press **MODE** on the remote control to select 'AUX' mode.

IMPORTANT: Only one Auxiliary input (RCA) can be used at any one time.

3.4 Adjust Volume Level

1. Press Volume Up once to increase the volume.
2. Press Volume Down once to reduce the volume.
3. Press and hold either Volume Up or Volume Down to increase or decrease audio volume continuously.

Listening to FM Radio

Bluecube Media Player AQ-BC-6UBT

4.1 Enter FM Radio Mode

1. Press **MODE** on the remote control to switch to FM radio mode.
2. Press **▶||** to mute or unmute the audio

i If this is the first time you listen to FM radio, the default frequency will be 87.5MHz, as shown on the remote LCD.

i FM radio is only available when you are in FM Radio mode.

4.2 Scan or Seek FM Radio Channels

1. Press and hold **◀/▶** to seek another station
2. Press once **◀/▶** to -0.05kHz or +0.05kHz to the frequency.

4.3 Saving Radio Channel to Memory

To save the current frequency to memory, press and hold **1, 2** or **3** for more than 2 seconds. The station will be stored into relevant button.

4.4 Listening to Saved Radio Memory

Press the **1, 2,** or **3** preset button once to listen to the station stored in that button.

4.5 Adjust Volume Level

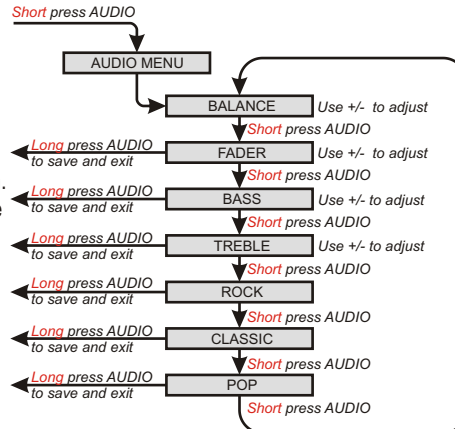
1. Press **+** once to increase the volume one step.
2. Press **-** once to reduce the volume one step.
3. Press and hold either **+** or **-** to increase or decrease audio volume continuously.

5. Using Audio Menu on Handheld Remote Control

BlueCube+ Media Player (AQ-BC-6UBT) has equipped with a audio DSP to meet different listening experiences.

1. To enter audio menu, press once **AUDIO** button.
2. Each press of **AUDIO** button will advance to the next audio setting as described on the right.
3. In the audio menu, press and hold **AUDIO** will save and exit the audio menu to the original mode.

If you have chosen preset equalizer (Rock, Classic, or Pop), the previously set Bass, Treble will be overrided.



6. Using VBass

1. VBass is a features to boost up the bass of the audio using latest DSP technology.
2. Press **VBASS** once to toggle it ON or OFF.


Additional Features

Bluecube Media Player AQ-BC-6UBT

7.1 External 12V Trigger

Aquatic AV understands the need for more flexible remote applications. With the BlueCube+ Media Player, Aquatic AV has provided an independent 12V 'accessory' trigger, activated from the RF wireless remote. This could activate any 12V based device like 12V lights or 12V motors.

In any operational mode, press the  (12V TRIGGER) button to activate. Press again to deactivate.

Depending on the versions, if there are two external trigger wires, you can also activate the second external trigger by press and hold  for the second external trigger.

i Aquatic AV strongly recommend you speak to our technical service staff or your local Aquatic AV dealer if you are considering this feature.

▲ Load on External Trigger(s) should not exceed 2A.

7.2 Connecting Multiple Amplifiers or High Current Draw Lighting Systems

Wiring a Single Pole Single Throw (SPST) Relay

The SPST is necessary to protect the stereo in systems with multiple amplifiers. The AQ-BC-6UBT remote and trigger wire provide 2A max current. While this is enough to power a single amplifier, complex systems with multiple amplifiers will require a SPST relay.

Position 30: requires 12VDC from the main power source (12V battery, power supply etc). This should be the same power source that is powering your stereo.

Position 85: this is where you connect your ground from your power source (12V battery, power supply, etc.) This should be the same ground reference as your stereo.

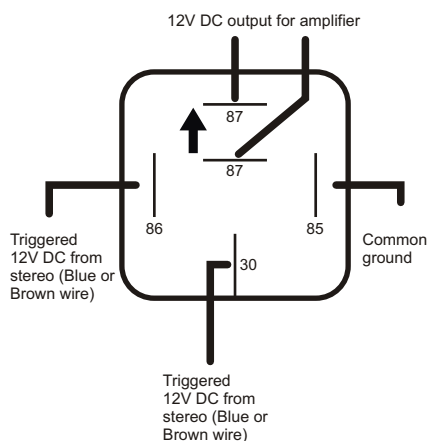
Position 86: position 86 is triggered 12V, and is sent when your stereo is powered on.

For Aquatic AV stereos, position 86 can be connected to either the blue remote wire in the harness or the brown 12V trigger on the rear of the unit. There differences are below:

Blue (recommended): The blue (remote wire) provides a 12V DC output when the stereo is powered on. Meaning as soon as the stereo is powered on, the blue wire sends 12V DC through the relay powering on the amplifier.

Brown: The brown (12V Trigger) provides 12V DC output when it is triggered via the lightning bolt icon on the faceplate or handheld remote. This setup is more advantageous in a more complex system with several zones, as it gives you control of when an amplifier is on or off.

Position 87: this is 12V DC output that you will provide 12V DC to the remote turn on to the amplifiers in your system.



Specifications & Dimensions

Bluecube Media Player AQ-BC-6UBT

8.1 Specifications

Media

Supported media	A2DP / USB / iPod / iPhone / MP3 / FM / AUX
Device charging	via USB (Remote by cable)
Device control	via RF Handheld Remote Control or Wired Remote Control (sold separately)

Inputs

USB	USB 2.0
Auxiliary	1x stereo pair RCA input

Outputs

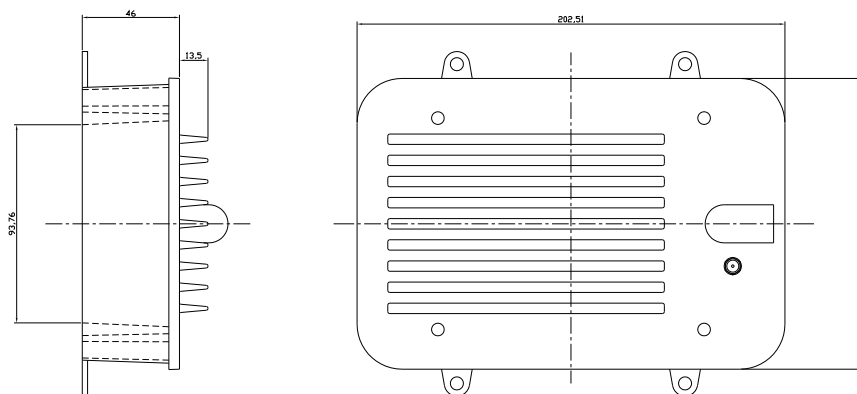
Pre-Out	2x stereo pair RCA (4V rms)
---------------	-----------------------------

Power

Output voltage @2 Ohm	4x 72W
Output voltage @4 Ohm	4x 45W
Operation voltage	9.6V - 14.4V
Max current draw	7A
Standby current draw	6mA

Multi-Environment Certifications

Waterproof / Dustproof	Yes IP64
Conformal PCB coating	Yes
UV Protection	500 hours stable. ASTM D4329 compliant
Salt/Frog protection	500 hours stable. ASTM B117 compliant
Stainless steel mountings	Yes



Warranty Information

Bluecube Media Player AQ-BC-6UBT

Aquatic AV offers a limited warranty of our products on the following terms:

Length of Warranty

2 years on audio systems, electronics, speakers, and accessories (receipt required).

Coverage

This warranty covers only the original purchaser of a Aquatic AV product purchased from an authorized Aquatic AV dealer in the United States. In order to receive service, the purchaser must provide Aquatic AV with a copy of the receipt stating the customer name, dealer name, product purchased and date of purchase.

Defective products

Products found to be defective during the warranty period will be repaired or replaced (with a product deemed to be equivalent) at Aquatic AV's discretion.

What is not covered

Damage caused by accident, abuse, improper operation, theft. Any cost or expense related to the removal or reinstallation of the product. Service performed by another other than an authorized Aquatic AV service center. Any product with the serial number or tamper labels defaced, altered or removed. Subsequent damage to other components. Any product not purchased from an authorized Aquatic AV dealer.

Limit on implied warranties

Any implied warranties including warranties of fitness for use and merchantability are limited in duration to the period of the express warranty set forth above. Some states do not allow limitation on the length of an implied warranty, so this limitation may not apply. No person is authorized to assume for Aquatic AV any other liability in connection with the sale of the product.

How to obtain service

You must obtain a return material authorization number (RMA) to return any product to Aquatic AV. You are responsible for shipping charges of returned products to Aquatic AV.

Please record the model and serial number[s] of your equipment in the spaced provided below as your permanent record and will assist us with your factory warranty coverage. These numbers can be found on the rear of the BlueCube Media Player.

	Serial number[s]:

FCC Statements

Bluecube Media Player AQ-BC-6UBT

FCC ID:WBQAQRFDM6BU
MADE IN CHINA

This device complies with Part 15 of the FCC Rules. Operation is subject to the following two conditions: (1) this device may not cause harmful interference, and (2) this device must accept any interference received, including interference that may cause undesired operation.

NOTE:

This equipment has been tested and found to comply with the limits for a Class B digital device, pursuant to Part 15 of the FCC Rules. These limits are designed to provide reasonable protection against harmful interference in a residential installation. This equipment generates, uses and can radiate radio frequency energy and, if not installed and used in accordance with the instructions, may cause harmful interference to radio communications. However, there is no guarantee that interference will not occur in a particular installation.

If this equipment does cause harmful interference to radio or television reception, which can be determined by turning the equipment off and on, the user is encouraged to try to correct the interference by one or more of the following measures:

- Reorient or relocate the receiving antenna.
- Increase the separation between the equipment and receiver.
- Consult the dealer or an experienced radio/TV technician for help.

The manufacturer is not responsible for any radio or TV interference caused by unauthorized modifications to this equipment. Such modifications could void the user authority to operate the equipment.

Aquatic AV

282 Kinney Drive
San Jose, CA65112, USA

E-mail: info@aquaticav.com
US & Canada: 1 877 579 2782
International: +1 408 559 1668
Fax: +1 408 559 0125

www.aquaticav.com



products with watertight reputation