

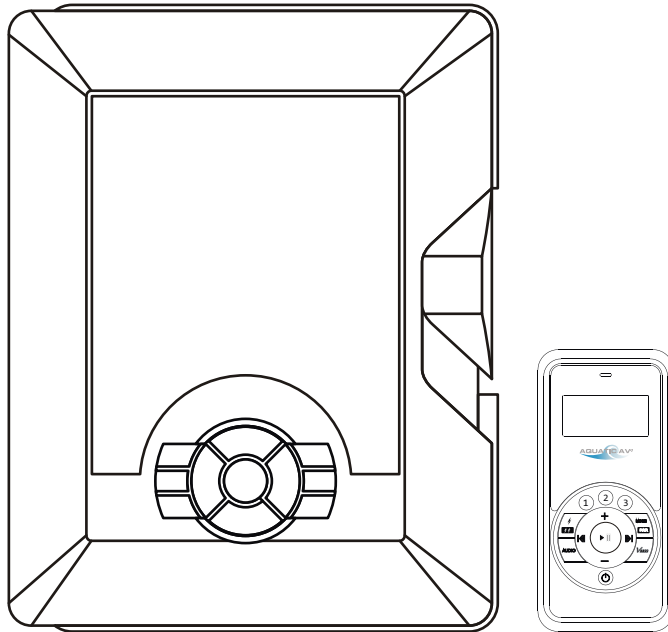


products with watertight reputation

**AQ-DM-6BT
DIGITAL MEDIA LOCKER™**

for Bluetooth MP3 devices

OWNER'S MANUAL



PLEASE READ THIS INSTRUCTION MANUAL BEFORE
INSTALLATION AND OPERATION



Table of Contents

Bluecube Media Player AQ-DM-6BT

1 Getting Started	3
1.1 Contents.....	3
1.2 Connections.....	3
1.3 12-pin Harness Connection.....	4
1.4 Mounting the BlueCube Media Player.....	4
1.5 Power On.....	5
1.6 Handheld Remote Control Charging.....	5
1.7 Handheld Remote Control Synchronizing.....	5
2 Location of Controls	6
2.1 Digital Media Locker Controls.....	6
2.2 Door Keypad Controls.....	6
2.3 Wireless Handheld Remote Control.....	7
2.4 Using Audio Menu on Handheld Remote Control.....	7
2.5 Wired Remote Control.....	7
3. Listening to Devices	8
3.1 Listening via Bluetooth.....	8
3.1.1 Pairing with Bluetooth Device.....	8
3.1.2 Listening via Bluetooth Device.....	8
3.1.3 Multi-Link Features.....	8
3.2 Listening via Auxillary Input.....	8
3.3 Adjusting Volume Level.....	8
3.4 Using VBass.....	8
3.5 External Trigger.....	8
4 Specifications and Dimensions	9
4.1 Specifications.....	9
4.2 Dimensions.....	9
5 Warranty Information	10
6 FCC Statement	11

Getting Started

Bluecube Media Player AQ-DM-6BT

1.1 Contents

- AQ-DM-5BT BlueCube Media Player
- 2-Way RF Waterproof Remote Control, AQ-DM-6UBT-T (optional)
- RF Remote Control Receiver, AQ-DM-6UBT-R (optional)
- Jack Cable (3.5mm Male to 3.5 Female)
- Wiring Harness (AQ-UNH-2)
- Six (6) Stainless Steel Mounting Screws
- Mounting template
- Owner's Manual

1.2 Connections

1: 12-pin Watertight Harness

The 12-pin harness supplies power and ground connection to the BlueCube Media Player and four (4) speaker channel output connections from the BlueCube Media Player.

2: Auxiliary Outputs

Allows external amplifiers to be connected to power additional speakers.

3: 8-pin DIN Cable for remotes

Connect to optional wireless or wired Remote Control (sold separately). There are two DIN connectors.

4: EXT Trigger

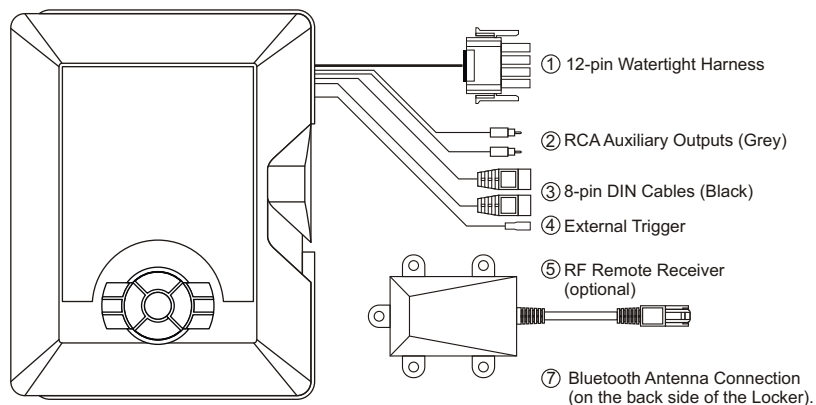
Provide 12Vdc when EXT trigger is pressed on remote control (sold separately). There are two EXT triggers.

5: RF Remote Control Receiver (optional)

Allow RF remote Control signal to be received.

7: Bluetooth Antenna Connection

Connect to the Male SMA connector of the Bluetooth antenna. Do not excess torque on the SMA connector (no more than 0.5N-m). Use hands to tighten the connection. (No wrench is used)



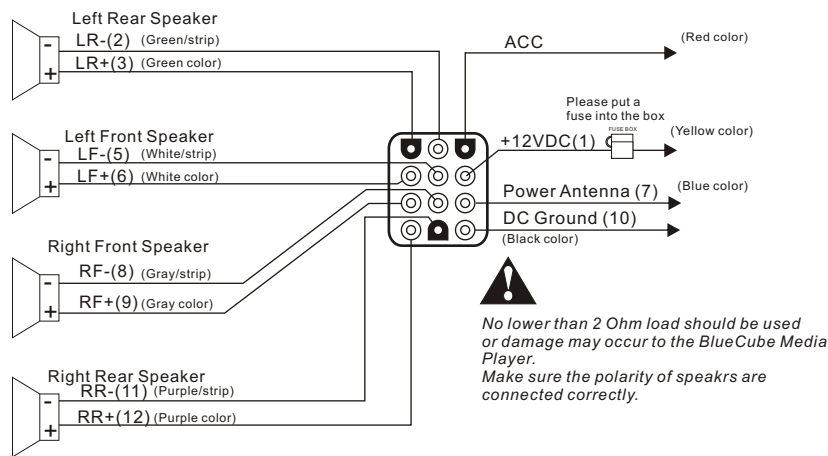
Getting Started

Bluecube Media Player AQ-DM-6BT

1.3 12-pin Harness Connection

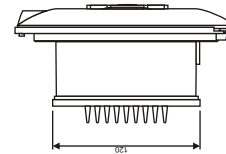
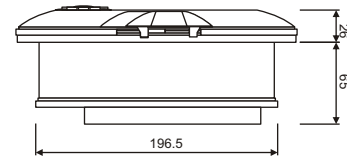
The AQ-BC-6BT includes the universal harness AQ-UHN-2 in order to connect the BlueCube to power and speakers.

All open wire connections should be soldered and protected against water and dust for best long term performance.



1.4 Mounting the BlueCube Media Player

1. A mounting template is included. Aquatic AV recommends using the 'measure twice, cut once' method.
2. Once the mounting hole is complete, make sure the outside surface is clean and clear of debris. The Digital Media Locker has an external water/dust proof gasket, but this requires a clean and flat surface for best performance.
3. The Digital Media Locker has six (6) front screws. Drive the screws using a screw driver. During final mounting, apply equal pressure to all points for the best water/dust outer seal performance. make sure screws are snug and do not over tighten.
4. Review all outside surfaces of the Digital Media Locker to ensure proper water/dust seal. This is important for long term environmental protection performance for your digital media device.



Getting Started

Bluecube Media Player AQ-DM-6BT

1.5 Power On

Press the on/off button inside the locker.

Red Light: Power to the locker is ON, but the unit is in standby mode.

Blue Light: The unit is powered ON and looking for an audio source.

For applications that require low current draw and where battery drain may occur, the power button must be turned OFF inside the unit. When the power button is in OFF position, the red LED will not lit.

For application where 12V battery is not used, such as in a Spa, the power button can be left ON and the remote control or door controls can then be used to power on/off accordingly.

For detailed instructions, you can check out our online video:

"How to wire your Aquatic AV stereo system"
<http://www.aquaticav.com/support/videos>

1.6 Handheld Remote Control Charging (AQ-DM-6UBT-T sold separately)

The remote has a built-in Polymer Lithium rechargeable battery. It comes with a custom made charging cable. Connect one end to the blades of the remote control and another the other end to any USB female device (5V dc) for charging.

Make sure the remote has been charged before used.

1.7 Handheld Remote Control Synchronizing (AQ-DM-6UBT-T sold separately)

The remote has a receiver dongle (AQ-DM-6UBT-R) with a builtin male DIN connector. Connect the dongle to the female DIN connector of locker (AQ-DM-6BT).

The remote should already be paired from the factory, but if you need to synchronize the remote, follow below steps.

1. Make sure Digital Media Locker (AQ-BC-6BT) is powered ON (LED in red or blue)
2. Put the remote close to the dongle (AQ-DM-6UBT-R) (within 0.5 meter)
2. Press and hold mode until the LCD shows "Pairing in Progress". Release the button.
3. Within 2 seconds, the LCD will show "Paired". If it fails to pair, the LCD will show "Retry again". If this happens, wait 5 seconds and repeat the above procedures.

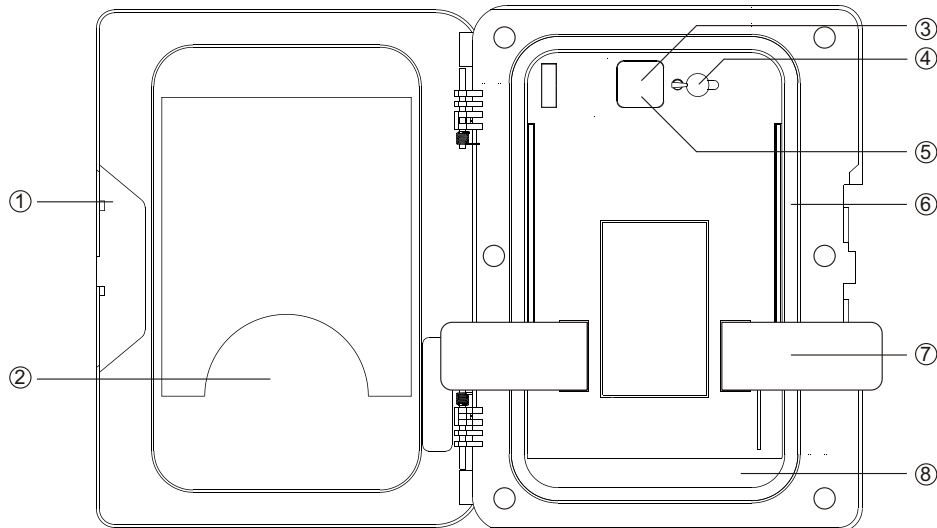
For any additional remote controls, you will also need to synchroize those remote controls to the BlueCube Media Player (AQ-BC-6BT).

- i** If the pairing process is not successful, try again to put your remote close to the dongle.
- i** Depending on the frequency of usage, the remote might drain its battery. Please charge the remote before use. If the LCD shows nothing, it means that the battery has been drained.
- i** If you have lost your remote control and buy a new remote control, please follow the above steps to pair the remote control

Location of Controls

Bluecube Media Player AQ-DM-6BT

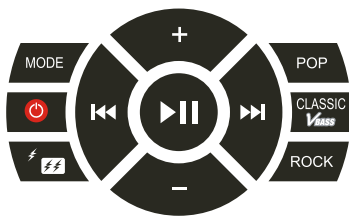
2.1 Digital Media Locker Controls



1. Open/Close Latch & Protective Door
2. Door Control Keypad
3. Power ON/OFF Button
4. 3.5mm Aux Input for MP3 Device

5. Power ON/Standby LED
6. Water/Dust Protective Inner Gasket
7. Security Strap for digital Media Devices
8. Charging Compartment for Remote Control

2.2 Door Keypad Controls

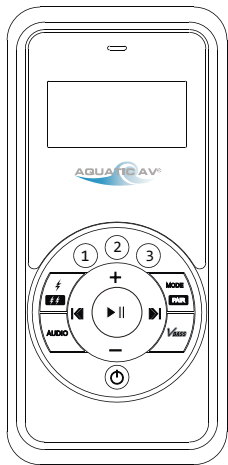


Buttons		AUX IN Mode	Bluetooth Mode
Mode		Press once: Change the source Press and hold: no function	
Power		Press once: Toggle Operational mode to Standby mode or vice versa	
Mode		Press once: External Trigger 1 Press and hold: External Trigger 2	
Volume Up		Press once: Volume up Press and hold: Fast volume up	
Volume Down		Press once: Volume down Press and hold: Fast volume down	
Fast Forward		Press once: no function Press and hold: no function	Press once: Next track Press and hold: Fast Forward
Fast Rewind		Press once: no function Press and hold: no function	Press once: Previous track Press and hold: Fast backward
Play/Pause		Press once: Toggle mute Press and hold: no function	Press once: Play/Pause Press and hold: no function
Pop		Press once: Preset Equalizer Setting Pop Press and hold: no function	
Classic		Press once: Preset Equalizer Setting Classic Press and hold: Toggle VBass	
Rock		Press once: Preset Equalizer Setting Rock Press and hold: no function	

Location of Controls

Bluecube Media Player AQ-DM-6BT

2.3 Wireless Handheld Remote Control AQ-RF6UBT-T (sold separately)



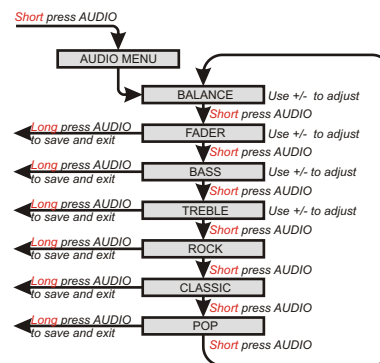
Buttons	AUX IN Mode	Bluetooth Mode	
Power		Press once: Toggle Operational mode to Standby mode or vice versa	
Mode/Pair		Press once: Change the source Press and hold: Pair	
Volume Up		Press once: Volume up Press and hold: Fast volume up	
Volume Down		Press once: Volume down Press and hold: Fast volume down	
Fast Forward		Press once: no function Press and hold: no function	Press once: Next track Press and hold: Fast Forward
Fast Rewind		Press once: no function Press and hold: no function	Press once: Previous track Press and hold: Fast backward
Play/Pause		Press once: Toggle mute Press and hold: no function	Press once: Play/Pause Press and hold: no function
1		Press once: no function Press and hold: no function	
2		Press once: no function Press and hold: no function	
3		Press once: no function Press and hold: no function	
EXT Trigger		Press once: Toggle EXT trigger 1 (12V dc) Press and hold: Toggle EXT trigger 2 (12V dc)	
Audio		Press once: no function Press and hold: no function	
VBass		Press once: Toggle VBass ON or OFF Press and hold: no function	

2.4 Using Audio Menu on Handheld Remote Control (purchased separately)

BlueCube+ Media Player (AQ-BC-6UBT) has equipped with a audio DSP to meet different listening experiences.

1. To enter audio menu, press once **AUDIO** button.
2. Each press of **AUDIO** button will advance to the next audio setting as described on the right.
3. In the audio menu, press and hold will save and exit the audio menu to the original mode.

If you have chosen preset equalizer (Rock, Classic, or Pop), the previously set Bass, Treble will be overridden.



2.5 Wired Remote Control AQ-WR6 (sold separately)

Coming Soon!

3.1 Listening via Bluetooth

3.1.1 Pair with Bluetooth Device

1. Switch on your Bluetooth device.
2. Select 'AQUATIC AV' from the list of available devices to pair (no password is needed).

i Only one Bluetooth device can be connected with the Digital Media Locker at any time.

3.1.2 Listening via Bluetooth Device

1. Bluetooth mode will be activated once a Bluetooth device is paired.
2. Play the song from device and the sound will play through the Bluecube Media Player.
3. Press Play/Pause to play/pause the song.
4. Press Fast Rewind or Fast Forward buttons to play previous or next song
5. Track and volume can be controlled directly from your Bluetooth device or remote control.

3.1.3 Multi-link Feature

A second Bluetooth device can always pair to the BlueCube Media Player even when it has been paired to another Bluetooth device.

3.2 Listening via Auxiliary Input

1. Connect your MP3 device to the 3.5mm inputs
2. Secure the device with the anchor straps in the locker.
3. Secure the Digital Media Locker's protective door.
4. Press Mode on the remote control to select 'AUX IN' mode.

⚠ Always ensure to connect and disconnect your media player with dry hands!

3.3 Adjust Volume Level

1. Press Volume Up once to increase the volume.
2. Press Volume Down once to reduce the volume.
3. Press and hold either Volume Up or Volume Down to increase or decrease audio volume continuously.

3.4 Using VBass

1. VBass is a feature to boost up the bass of the audio using latest DSP technology.
2. Press VBass once to toggle it ON or OFF.

3.5 External Trigger

Press EXT on the remote to toggle the External Trigger ON/OFF. When Ext Trigger is turned on, there will be +12V dc from EXT wire. This can be used to turn ON/OFF other devices.

Specifications & Dimensions

Bluecube Media Player AQ-DM-6BT

4.1 Specifications

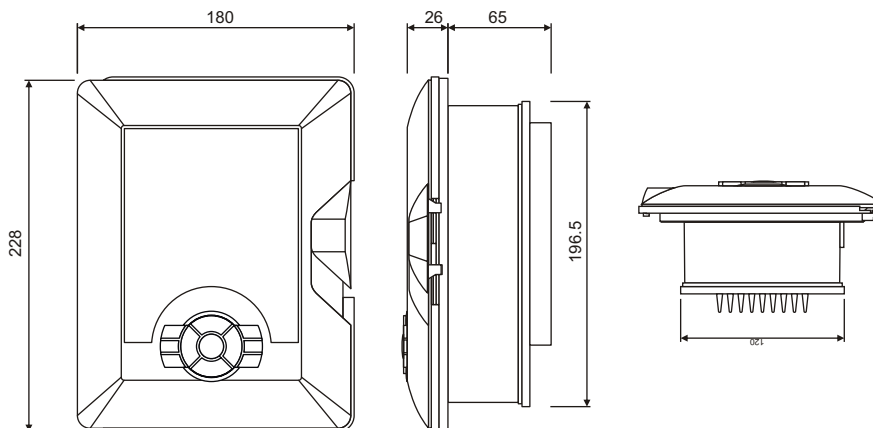
Media	Bluetooth/MP3
Supported media	via Bluetooth / MP3 device
Supported media max. dimensions	107x184mm (WxH)
Device control	via Door Controls & optional RF Remote Control

Inputs	
Auxiliary	1x 3.5mm Stereo Jack Socket

Outputs	
Pre-Out	1x stereo pair RCA (4V rms)

Power	
Output voltage @2 Ohm	4x 72W
Output voltage @4 Ohm	4x 45W
Operation voltage	9.6V - 14.4V
Max current draw	7A
Standby current draw	6mA

Multi-Environment Certifications	
Waterproof / Dustproof	Yes IP65 (Remote Control rated IP66)
Conformal PCB coating	Yes
UV Protection	500 hours stable. ASTM D4329 compliant
Salt/Frog protection	500 hours stable. ASTM B117 compliant
Stainless steel mountings	Yes



Warranty Information

Bluecube Media Player AQ-DM-6BT

Aquatic AV offers a limited warranty of our products on the following terms:

Length of Warranty

2 years on audio systems, electronics, speakers, and accessories (receipt required).

Coverage

This warranty covers only the original purchaser of a Aquatic AV product purchased from an authorized Aquatic AV dealer in the United States. In order to receive service, the purchaser must provide Aquatic AV with a copy of the receipt stating the customer name, dealer name, product purchased and date of purchase.

Defective products

Products found to be defective during the warranty period will be repaired or replaced (with a product deemed to be equivalent) at Aquatic AV's discretion.

What is not covered

Damage caused by accident, abuse, improper operation, theft. Any cost or expense related to the removal or reinstallation of the product. Service performed by another other than an authorized Aquatic AV service center. Any product with the serial number or tamper labels defaced, altered or removed. Subsequent damage to other components. Any product not purchased from an authorized Aquatic AV dealer.

Limit on implied warranties

Any implied warranties including warranties of fitness for use and merchantability are limited in duration to the period of the express warranty set forth above. Some states do not allow limitation on the length of an implied warranty, so this limitation may not apply. No person is authorized to assume for Aquatic AV any other liability in connection with the sale of the product.

How to obtain service

You must obtain a return material authorization number (RMA) to return any product to Aquatic AV. You are responsible for shipping charges of returned products to Aquatic AV.

Please record the model and serial number[s] of your equipment in the spaced provided below as your permanent record and will assist us with your factory warranty coverage. These numbers can be found on the rear of the BlueCube Media Player.

	Serial number[s]:

FCC Statements

Bluecube Media Player AQ-DM-6BT

FCC ID:WBQAQRFDM6D
MADE IN CHINA

This device complies with Part 15 of the FCC Rules. Operation is subject to the following two conditions: (1) this device may not cause harmful interference, and (2) this device must accept any interference received, including interference that may cause undesired operation.

NOTE:

This equipment has been tested and found to comply with the limits for a Class B digital device, pursuant to Part 15 of the FCC Rules. These limits are designed to provide reasonable protection against harmful interference in a residential installation. This equipment generates, uses and can radiate radio frequency energy and, if not installed and used in accordance with the instructions, may cause harmful interference to radio communications. However, there is no guarantee that interference will not occur in a particular installation.

If this equipment does cause harmful interference to radio or television reception, which can be determined by turning the equipment off and on, the user is encouraged to try to correct the interference by one or more of the following measures:

- Reorient or relocate the receiving antenna.
- Increase the separation between the equipment and receiver.
- Consult the dealer or an experienced radio/TV technician for help.

The manufacturer is not responsible for any radio or TV interference caused by unauthorized modifications to this equipment. Such modifications could void the user authority to operate the equipment.

Aquatic AV

282 Kinney Drive
San Jose, CA65112, USA

E-mail: info@aquaticav.com
US & Canada: 1 877 579 2782
International: +1 408 559 1668
Fax: +1 408 559 0125

www.aquaticav.com



products with watertight reputation