

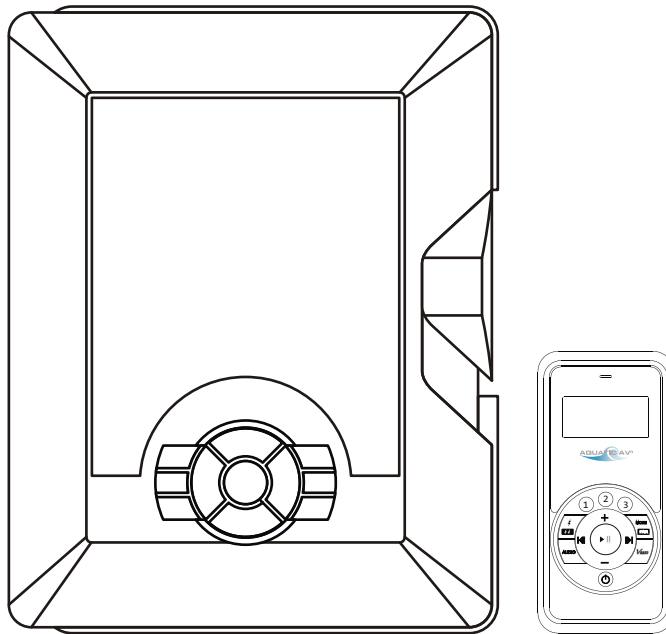


products with watertight reputation

## AQ-DM-6UBT DIGITAL MEDIA LOCKER™

for Bluetooth, USB, iPhone, iPod, MP3 devices, and FM Radio

### OWNER'S MANUAL



USB 2.0



Bluetooth®



PLEASE READ THIS INSTRUCTION MANUAL BEFORE  
INSTALLATION AND OPERATION



## Table of Contents

---

<b>1 Getting Started</b> .....	<b>3</b>
1.1 Contents .....	3
1.2 Connections .....	3
1.3 12-pin Harness Connection .....	4
1.4 Mounting the BlueCube Media Player .....	4
1.5 Power On .....	5
1.6 Handheld Remote Control Charging .....	5
1.7 Handheld Remote Control Synchronizing .....	5
<b>2 Location of Controls</b> .....	<b>6</b>
2.1 Digital Media Locker Controls .....	6
2.2 Door Keypad Controls .....	7
2.3 Wireless Handheld Remote Control .....	8
<b>3. Listening to Devices</b> .....	<b>9</b>
3.1 Listening via USB .....	9
3.1.1 USB thumb drive .....	9
3.1.2 Navi Search .....	9
3.1.3 Random Playing .....	9
3.1.4 Device Charging .....	9
3.2 Listening via Bluetooth .....	9
3.1.1 Pairing with Bluetooth Device .....	9
3.1.2 Listening via Bluetooth Device .....	9
3.1.3 Multi-Link Features .....	9
3.3 Listening via Auxiliary Input .....	9
<b>4. Listening to FM Radio</b> .....	<b>10</b>
4.1 Enter FM Radio Mode .....	10
4.2 Scan or Seek FM Radio Channels .....	10
4.3 Saving Radio Channel to Memory .....	10
4.4 Listening to Saved Radio Memory .....	10
4.5 Adjust Volume Level .....	
<b>5. Additional Features</b> .....	<b>11</b>
5.1 External 12V Trigger .....	11
5.2 Connecting Multiple Amplifiers or High Current Draw Lighting Systems .....	11
5.3 Internal Docking Light .....	12
5.4 Using Audio Menu on Handheld Remote Control .....	12
5.5 Using VBass .....	12
<b>6. Specifications and Dimensions</b> .....	<b>13</b>
6.1 Specifications .....	13
6.2 Dimensions .....	13
<b>7. Warranty Information</b> .....	<b>14</b>
<b>8. FCC Statement</b> .....	<b>15</b>

## Getting Started

---

### 1.1 Contents

- AQ-DM-5UBT BlueCube Media Player
- 2-Way RF Waterproof Remote Control, AQ-DM-6UBT-T
- Jack Cable (3.5mm Male to 3.5 Female)
- Wiring Harness (AQ-UNH-2)
- Six (6) Stainless Steel Mounting Screws
- Mounting template
- Owner's Manual

### 1.2 Connections

#### 1: 12-pin Watertight Harness

The 12-pin harness supplies power and ground connection to the BlueCube Media Player and four (4) speaker channel output connections from the BlueCube Media Player.

▲ *Do not cut or modify the 12-pin harness on the unit side or warranty will be void.*

#### 2: FM Radio Antenna Jack

Connect antenna (AQ-ANT-1 sold separately) to female antenna receptacle. For best FM performance, make sure the antenna is extended to the highest achievable position.

#### 3: Auxiliary Outputs - Rear

Allows external amplifiers to be connected to power additional speakers.

#### 4: Auxiliary Outputs - Front

Allows external amplifiers to be connected to power additional speakers.

#### 5: Auxiliary Inputs

Connect to a portable audio player through the AUX IN cable on the back of the BlueCube+ Media Player.

#### 6: 12V DC External Trigger

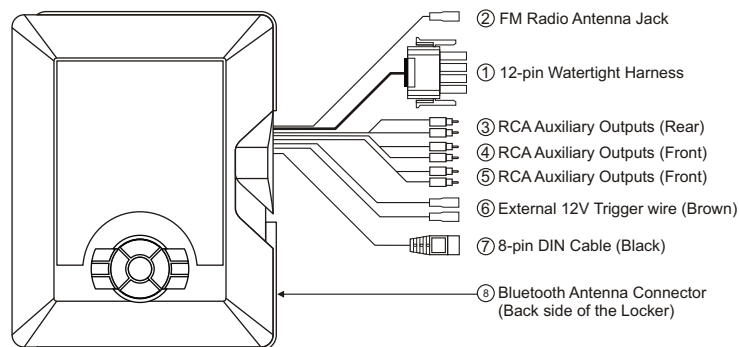
Allows for an external light or relay to be triggered (2A max load). There are two external triggers.

#### 7: Wired Remote 8-pin DIN Connector

Connect to a wired Remote Control

#### 8: Bluetooth Antenna Connection

Connect to the Male SMA connector of the Bluetooth antenna (AQ-BTANT-1). Do not apply excessive torque on the SMA connector (no more than 0.5N-m). Use hands to tighten the connection. (No wrench is used)

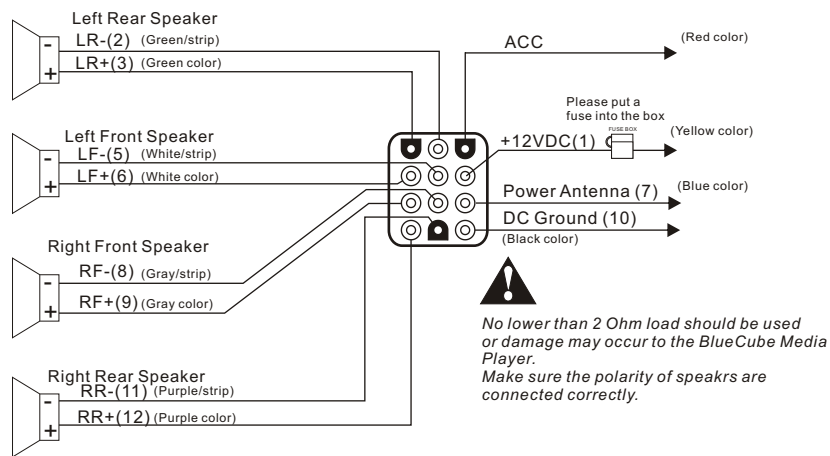


## Getting Started

### 1.3 12-pin Harness Connection

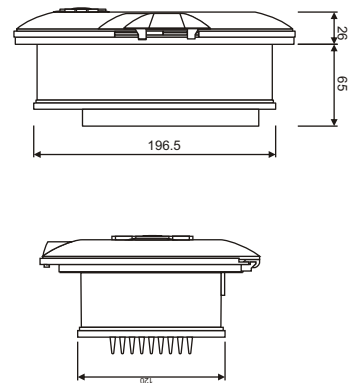
The AQ-BC-6BT includes the universal harness AQ-UHN-2 in order to connect the BlueCube to power and speakers.

All open wire connections should be soldered and protected against water and dust for best long term performance.



### 1.4 Mounting the BlueCube Media Player

1. A mounting template is included. Aquatic AV recommends using the 'measure twice, cut once' method.
2. Once the mounting hole is complete, make sure the outside surface is clean and clear of debris. The Digital Media Locker has an external water/dust proof gasket, but this requires a clean and flat surface for best performance.
3. The Digital Media Locker has six (6) front screws. Drive the screws using a screw driver. During final mounting, apply equal pressure to all points for the best water/dust outer seal performance. make sure screws are snug and do not over tighten.
4. Review all outside surfaces of the Digital Media Locker to ensure proper water/dust seal. This is important for long term environmental protection performance for your digital media device.



## Getting Started

---

### 1.5 Power On

Press the on/off button inside the locker.

Red Light: Power to the locker is ON, but the unit is in standby mode.

Blue Light: The unit is powered ON and looking for an audio source.

For applications that require low current draw and where battery drain may occur, the power button must be turned OFF inside the unit. When the power button is in OFF position, the red LED will not lit.

For application where 12V battery is not used, such as in a Spa, the power button can be left ON and the remote control or door controls can then be used to power on/off accordingly.

For detailed instructions, you can check out our online video:

"How to wire your Aquatic AV stereo system"

<http://www.aquaticav.com/support/videos>

### 1.6 Handheld Remote Control Charging (AQ-DM-6UBT-T sold separately)

The remote has a built-in Polymer Lithium rechargeable battery. It comes with a custom made charging cable. Connect one end to the blades of the remote control and another the other end to any USB female device (5V dc) for charging.

Make sure the remote has been charged before used.

### 1.7 Handheld Remote Control Synchronizing (AQ-DM-6UBT-T sold separately)

The remote has a receiver dongle (AQ-DM-6UBT-R) with a builtin male DIN connector. Connect the dongle to the female DIN connector of locker (AQ-DM-6UBT).

The remote should already be paired from the factory, but if you need to synchronize the remote, follow below steps.

1. Make sure Digital Media Locker (AQ-BC-6UBT) is powered ON (LED in red or blue)
2. Put the remote close to the dongle (AQ-DM-6UBT-R) (within 0.5 meter)
2. Press and hold mode until the LCD shows "Pairing in Progress". Release the button.
3. Within 2 seconds, the LCD will show "Paired". If it fails to pair, the LCD will show "Retry again". If this happens, wait 5 seconds and repeat the above procedures.

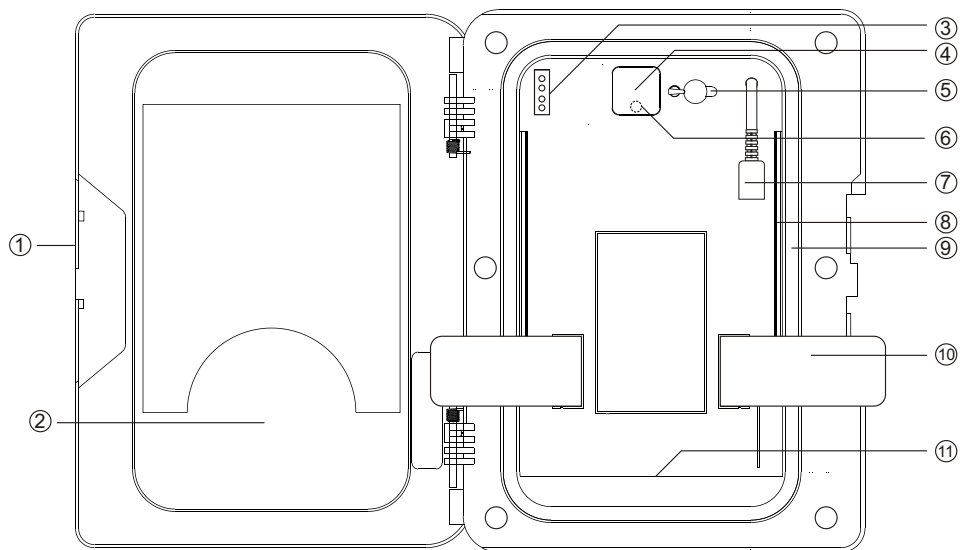
For any additional remote controls, you will also need to synchroize those remote controls to the BlueCube Media Locker (AQ-BC-6UBT).

- i** If the pairing process is not successful, try again to put your remote close to the dongle.
- i** Depending on the frequency of usage, the remote might drain its battery. Please charge the remote before use. If the LCD shows nothing, it means that the battery has been drained.
- i** If you have lost your remote control and buy a new remote control, please follow the above steps to pair the remote control

## Location of Controls

---

### 2.1 Digital Media Locker Controls

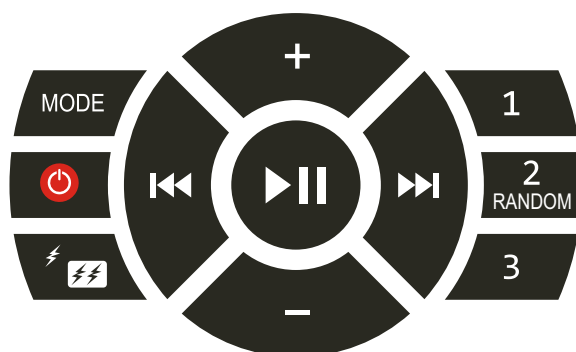


1. Open/Close Latch & Protective Door
2. Door Control Keypad
3. LED Mode Indicator
4. Power ON/Standby LED
5. 3.5mm Aux Input for MP3 Device
6. Power ON/OFF LED

7. USB Connector
8. Back Lighting
9. Water/Dust Protection Gasket
10. Security Strap for digital Media Devices
11. Charging Compartment for Remote Control

## Location of Controls

### 2.2 Door Keypad Controls



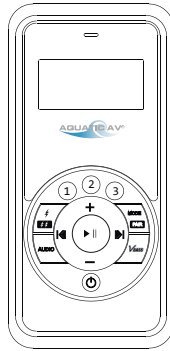
Buttons		AUX IN Mode	Bluetooth Mode	USB Mode	FM Radio
Mode		Press once: Change the source Press and hold: no function			
Power		Press once: Toggle Operational mode to Standby mode or vice versa			
Mode		Press once: External Trigger 1 * Press and hold: External Trigger 2 *			
Volume Up	+	Press once: Volume up Press and hold: Fast volume up			
Volume Down	-	Press once: Volume down Press and hold: Fast volume down			
Fast Forward		Press once: no function Press and hold: no function	Press once: Next track Press and hold: Fast Forward		Press once: + 0.05kHz Press and hold: Scan up
Fast Rewind		Press once: no function Press and hold: no function	Press once: Previous track Press and hold: Fast backward		Press once: -0.05kHz Press and hold: Scan down
Play/Pause		Press once: Toggle mute Press and hold: no function	Press once: Play/Pause Press and hold: no function		Press once: Toggle mute Press and hold: no function
1		Press once: no function Press and hold: no function		Press once: Folder up Press and hold: no function	Press once: Preset 1 Press and hold: Save to Preset 1
2 / Random		Press once: no function Press and hold: no function		Press once: no function Press and hold: Random	Press once: Preset 2 Press and hold: Save to Preset 2
3		Press once: Toggle mute Press and hold: no function		Press once: Folder down Press and hold: no function	Press once: Preset 3 Press and hold: Save to Preset 3

**i** The keypad on the door has a set of keys fewer than those on the remote but has exactly the same functions correspondingly. This keypad allows you to operate the dock without the remote control.

**i** \* On some spa installation, this function will switch between internal speakers and door speakers, if equipped.

## Location of Controls

### 2.3 Wireless Handheld Remote Control AQ-RF6UBT-T (sold separately)



Buttons	AUX IN Mode	Bluetooth Mode	USB Mode	FM Radio	
Power		Press once: Toggle Operational mode to Standby mode or vice versa			
Mode/Pair		Press once: Change the source Press and hold: no function			
Volume Up		Press once: Volume up Press and hold: Fast volume up			
Volume Down		Press once: Volume down Press and hold: Fast volume down			
Fast Forward		Press once: no function Press and hold: no function	Press once: Next track Press and hold: Fast Forward	Press once: + 0.05kHz Press and hold: Scan up	
Fast Rewind		Press once: no function Press and hold: no function	Press once: Previous track Press and hold: Fast backward	Press once: -0.05kHz Press and hold: Scan down	
Play/Pause		Press once: Toggle mute Press and hold: no function	Press once: Play/Pause Press and hold: no function	Press once: Toggle mute Press and hold: no function	
1		Press once: no function Press and hold: no function	Press once: Folder up Press and hold: no function	Press once: Preset 1 Press and hold: Save to Preset 1	
2		Press once: no function Press and hold: no function	Press once: no function Press and hold: Random	Press once: Preset 2 Press and hold: Save to Preset 2	
3		Press once: Toggle mute Press and hold: no function	Press once: Folder down Press and hold: no function	Press once: Preset 3 Press and hold: Save to Preset 3	
EXT Trigger		Press once: External Trigger 1 Press and hold: External Trigger 2			
Audio		Press once: Enter Audio Menu Press and hold: Exit Audio Menu			
VBass		Press once: Toggle VBass ON or OFF Press and hold: no function			

- i** If your music player is connected via the Auxiliary input, you will not be able to control track or receive track information.
- i** In order to prolong remote battery life, the LCD will shut off in 5 seconds if no button is pressed. To turn remote back on, press any key once and then press the command desired.
- i** DSP (Classic, Pop, and Rock) will be turned OFF when Bass and Treble are set.
- i** When in Bluetooth mode, Repeat and Random playback function must be enabled via your phone media device and not from remote control.
- i** \* On some spa installation, this function will switch between internal speakers and door speakers, if equipped.



## Listening to Devices

---

### 3.1 Listening via USB

#### 3.1.1 USB thumb drive

1. Attach your USB thumb drive to the femal USB socket of the BlueCube+ Media Player.
2. Press **MODE** on the remote to select USB mode.
3. Press ▶|| to play or pause the music.
4. Press once ◀|▶ to play previous / next song file.
5. Press and hold ◀|▶ to fast forward / fast rewind the song file.

⚠ *Always ensure to connect and disconnect your media player with dry hands!*

#### 3.1.2 Navi Search

You can navigate folders in the USB thumb drive.

1. Press 1 once will go to the next folder.
2. Press 3 once will go to the last folder.

#### 3.1.3 Random Playing

Press and hold 2 will toggle Random Play in USB mode.

#### 3.1.2 Charging

The USB socket can deliver 2.1A of current to charge a device battery.

### 3.2 Listening via Bluetooth

#### 3.2.1 Pair with Bluetooth Device

1. Switch on your Bluetooth device.
2. Select 'AQUATIC AV' from the list of available devices to pair (no password is needed).

ⓘ *Only one Bluetooth device can be connected with the Digital Media Locker at any time.*

#### 3.2.2 Listening via Bluetooth Device

1. Bluetooth mode will be activated once a Bluetooth device is paired in any mode. Use MODE to change to the Bluetooth mode to listen to music.
2. Play the song from device and the sound will play through the Bluecube Media Player.
3. Press ◀|▶ play/pause the song.
4. Press / to play previous or next song
5. Press and hold / to fast forward / fast rewind the song file.

Track and volume can also be controlled directly from your Bluetooth device or remote control.

#### 3.2.3 Multi-link

A second Bluetooth device an always pair to the BlueCube Media Player even when it has been paired to another Bluetoot device.

### 3.3 Listening via Auxiliary Input

1. Connect your MP3 device ot the RCA inputs
2. Press **MODE** on the remote control to select 'AUX' mode.

*IMPORTANT: Only one Auxiliary input (RCA) can be used at any one time.*

## Listening to FM Radio

---

### 4.1 Enter FM Radio Mode

1. Press **MODE** on the remote control to switch to FM radio mode.
2. Press **▶||** to mute or unmute the audio

**i** If this is the first time you listen to FM radio, the default frequency will be 87.5MHz, as shown on the remote LCD.

**i** FM radio is only available when you are in FM Radio mode.

### 4.2 Scan or Seek FM Radio Channels

1. Press and hold **◀/▶** to seek another station
2. Press once **◀/▶** to -0.05kHz or +0.05kHz to the frequency.

### 4.3 Saving Radio Channel to Memory

To save the current frequency to memory, press and hold **1**, **2** or **3** for more than 2 seconds. The station will be stored into relevant button.

### 4.4 Listening to Saved Radio Memory

Press the **1**, **2**, or **3** preset button once to listen to the station stored in that button.

### 4.5 Adjust Volume Level

1. Press **+** once to increase the volume one step.
2. Press **-** once to reduce the volume one step.
3. Press and hold either **+** or **-** to increase or decrease audio volume continuously.

## Additional Features

### 5.1 External 12V Trigger

Aquatic AV understands the need for more flexible remote applications. With the BlueCube+ Media Player, Aquatic AV has provided an independent 12V 'accessory' trigger, activated from the RF wireless remote. This could activate any 12V based device like 12V lights or 12V motors.

In any operational mode, press the ⚡ (12V TRIGGER) button to activate. Press again to deactivate.

Depending on the versions, if there are two external trigger wires, you can also activate the second external trigger by press and hold ⚡ for the second external trigger.

**i** Aquatic AV strongly recommend you speak to our technical service staff or your local Aquatic AV dealer if you are considering this feature.

**▲** Load on External Trigger(s) should not exceed 2A.

### 5.2 Connecting Multiple Amplifiers or High Current Draw Lighting Systems

#### Wiring a Single Pole Single Throw (SPST) Relay

The SPST is necessary to protect the stereo in systems with multiple amplifiers. The AQ-BC-6UBT remote and trigger wire provide 2A max current. While this is enough to power a single amplifier, complex systems with multiple amplifiers will require a SPST relay.

**Position 30:** requires 12VDC from the main power source (12V battery, power supply etc). This should be the same power source that is powering your stereo.

**Position 85:** this is where you connect your ground from your power source (12V battery, power supply, etc.) This should be the same ground reference as your stereo.

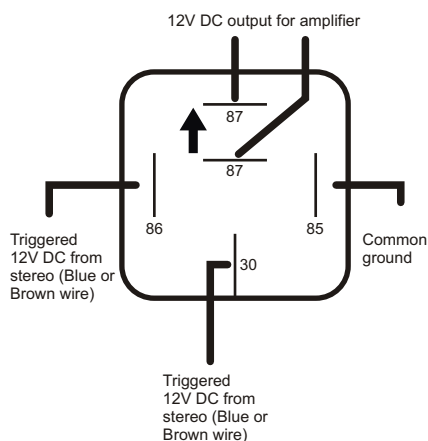
**Position 86:** position 86 is triggered 12V, and is sent when your stereo is powered on.

For Aquatic AV stereos, position 86 can be connected to either the blue remote wire in the harness or the brown 12V trigger on the rear of the unit. There differences are below:

**Blue (recommended):** The blue (remote wire) provides a 12V DC output when the stereo is powered on. Meaning as soon as the stereo is powered on, the blue wire sends 12V DC through the relay powering on the amplifier.

**Brown:** The brown (12V Trigger) provides 12V DC output when it is triggered via the lightning bolt icon on the faceplate or handheld remote. This setup is more advantageous in a more complex system with several zones, as it gives you control of when an amplifier is on or off.

**Position 87:** this is 12V DC output that you will provide 12V DC to the remote turn on to the amplifiers in your system.



## Additional Features

### 5.3 Internal Docking Light

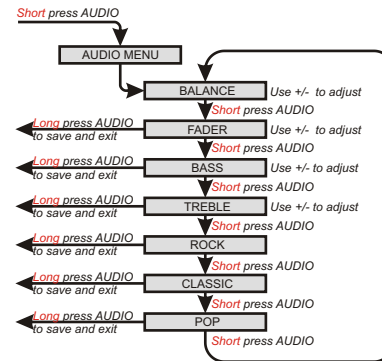
The Digital Media Locker will by default have orange and brown wires connected. Use the trigger on the remote to toggle the internal illumination light ON/OFF.

### 5.4 Using Audio Menu on Handheld Remote Control (purchased separately)

BlueCube+ Media Player (AQ-BC-6UBT) has equipped with a audio DSP to meet different listening experiences.

1. To enter audio menu, press once **AUDIO** button.
2. Each press of **AUDIO** button will advance to the next audio setting as described on the right.
3. In the audio menu, press and hold **AUDIO** will save and exit the audio menu to the original mode.

If you have chosen preset equalizer (Rock, Classic, or Pop), the previously set Bass, Treble will be overridden.



### 3.4 Using VBass

1. VBass is a features to boost up the bass of the audio using latest DSP technology.
2. Press VBass once to toggle it ON or OFF.

## Specifications & Dimensions

### 6.1 Specifications

#### Media

Supported media .....	Bluetooth/MP3/FM via Bluetooth / MP3 device
Supported media max. dimensions .....	107x184mm (WxH)
Device control .....	via Door Controls & optional RF Remote Control
Device charging .....	via USB

#### Inputs

USB .....	USB 2.0
Auxiliary .....	1x 3.5mm Stereo Jack Socket, 1x Stereo pair RCA input

#### Outputs

Pre-Out .....	2x stereo pair RCA (4V rms)
---------------	-----------------------------

#### FM Radio

FM pre-sets .....	3
US/Euro coverage .....	Yes

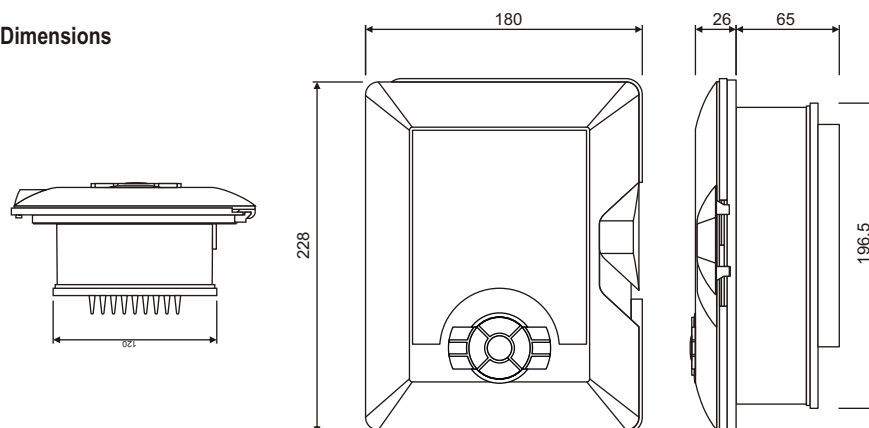
#### Power

Output voltage @2 Ohm .....	4x 72W
Output voltage @4 Ohm .....	4x 45W
Operation voltage .....	9.6V - 14.4V
Max current draw .....	7A
Standby current draw .....	6mA

#### Multi-Environment Certifications

Waterproof / Dustproof .....	Yes IP65 (Remote Control rated IP66)
Conformal PCB coating .....	Yes
UV Protection .....	500 hours stable. ASTM D4329 compliant
Salt/Frog protection .....	500 hours stable. ASTM B117 compliant
Stainless steel mountings .....	Yes

### 6.2 Dimensions



## Warranty Information

---

**Aquatic AV offers a limited warranty of our products on the following terms:**

### **Length of Warranty**

2 years on audio systems, electronics, speakers, and accessories (receipt required).

### **Coverage**

This warranty covers only the original purchaser of a Aquatic AV product purchased from an authorized Aquatic AV dealer in the United States. In order to receive service, the purchaser must provide Aquatic AV with a copy of the receipt stating the customer name, dealer name, product purchased and date of purchase.

### **Defective products**

Products found to be defective during the warranty period will be repaired or replaced (with a product deemed to be equivalent) at Aquatic AV's discretion.

### **What is not covered**

Damage caused by accident, abuse, improper operation, theft. Any cost or expense related to the removal or reinstallation of the product. Service performed by another other than an authorized Aquatic AV service center. Any product with the serial number or tamper labels defaced, altered or removed. Subsequent damage to other components. Any product not purchased from an authorized Aquatic AV dealer.

### **Limit on implied warranties**

Any implied warranties including warranties of fitness for use and merchantability are limited in duration to the period of the express warranty set forth above. Some states do not allow limitation on the length of an implied warranty, so this limitation may not apply. No person is authorized to assume for Aquatic AV any other liability in connection with the sale of the product.

### **How to obtain service**

You must obtain a return material authorization number (RMA) to return any product to Aquatic AV. You are responsible for shipping charges of returned products to Aquatic AV.

Please record the model and serial number[s] of your equipment in the spaced provided below as your permanent record and will assist us with your factory warranty coverage. These numbers can be found on the rear of the BlueCube Media Player.

	Serial number[s]:

## FCC Statements

---

FCC ID:WBQAQRFDM6D  
MADE IN CHINA

This device complies with Part 15 of the FCC Rules. Operation is subject to the following two conditions: (1) this device may not cause harmful interference, and (2) this device must accept any interference received, including interference that may cause undesired operation.

**NOTE:**

This equipment has been tested and found to comply with the limits for a Class B digital device, pursuant to Part 15 of the FCC Rules. These limits are designed to provide reasonable protection against harmful interference in a residential installation. This equipment generates, uses and can radiate radio frequency energy and, if not installed and used in accordance with the instructions, may cause harmful interference to radio communications. However, there is no guarantee that interference will not occur in a particular installation.

If this equipment does cause harmful interference to radio or television reception, which can be determined by turning the equipment off and on, the user is encouraged to try to correct the interference by one or more of the following measures:

- Reorient or relocate the receiving antenna.
- Increase the separation between the equipment and receiver.
- Consult the dealer or an experienced radio/TV technician for help.

The manufacturer is not responsible for any radio or TV interference caused by unauthorized modifications to this equipment. Such modifications could void the user authority to operate the equipment.

**Aquatic AV**

282 Kinney Drive  
San Jose, CA65112, USA

E-mail: [info@aquaticav.com](mailto:info@aquaticav.com)  
US & Canada: 1 877 579 2782  
International: +1 408 559 1668  
Fax: +1 408 559 0125

[www.aquaticav.com](http://www.aquaticav.com)



products with watertight reputation