



products with a watertight reputation

AQ-MP-5BT - WATERPROOF MEDIA PLAYER for Bluetooth & MP3 devices

OWNER MANUAL



WATERPROOF MEDIA PLAYER



Europe – EU Declaration of Conformity

This device complies with the essential requirements of the R&TTE Directive 1999/5/EC.

The following test methods have been applied in order to prove presumption of conformity with the essential requirements of the R&TTE Directive 1999/5/EC:

ETSI EN 301 489-1 V1.9.2: 2011

ETSI EN 301 489-17 V2.2.1: 2012

ETSI EN 300 328 V1.8.1: 2012

EN 62479: 2010

EN 60065: 2002+A1: 2006+A11: 2008+ A2: 2010+ A12: 2011

Aquatic AV

282 Kinney Drive
San Jose, CA 95112, USA

E-mail: info@aquaticav.com

US & Canada: 1 877 579 2782

International: +1 408 559 1668

Fax: +1 408 559 0125

www.aquaticav.com



PLEASE READ THIS INSTRUCTION MANUAL BEFORE
INSTALLATION AND OPERATION



1 Getting Started..... **3**

 1.1 Contents.....3

 1.2 Connections.....3

 1.3 12-pin Harness Connection.....4

 1.4 Wiring Diagram.....4

 1.5 Mounting Precautions.....5

 1.6 Mounting the Media Player.....6

 1.7 Power On.....8

2 Location of Controls..... **9**

 2.1 Media Player Controls.....9

3 Listening to Devices..... **10**

 3.1 Listening via Bluetooth.....10

 3.1.1 Pair with Bluetooth Device.....10

 3.1.2 Listening via Bluetooth Device.....10

 3.2 Listening via Auxiliary Input (3.5mm Jack).....10

 3.3 Adjusting Volume Level.....10

4 Listening to FM/AM Radio..... **11**

 4.1 Enter FM Radio Mode.....11

 4.2 Scan or Seek FM Radio Channels.....11

 4.3 Saving Radio Channel to Memory.....11

 4.4 Listening to Saved Radio Memory.....11

 4.5 Switch between U.S. and European FM Modes.....11

5 Settings Menu..... **12**

 5.1 Audio Menu.....12

 5.2 Menu.....12

 5.3 AS/PS (Auto Scan/Preset Scan).....12

 5.4 Local/Distant Tuning.....12

 5.5 Stereo/Mono.....12

 5.6 FM Tuning Area.....12

 5.7 Beep Tone.....12

 5.8 System Reset.....12

6 Specifications & Dimensions..... **13**

 4.1 Specifications.....13

 4.2 Dimensions.....13

7 Warranty Information..... **14**

MADE IN CHINA

This device complies with Part 15 of the FCC Rules. Operation is subject to the following two conditions: (1) this device may not cause harmful interference, and (2) this device must accept any interference received, including interference that may cause undesired operation.

Any Changes or modifications not expressly approved by the party responsible for compliance could void the user's authority to operate the equipment.

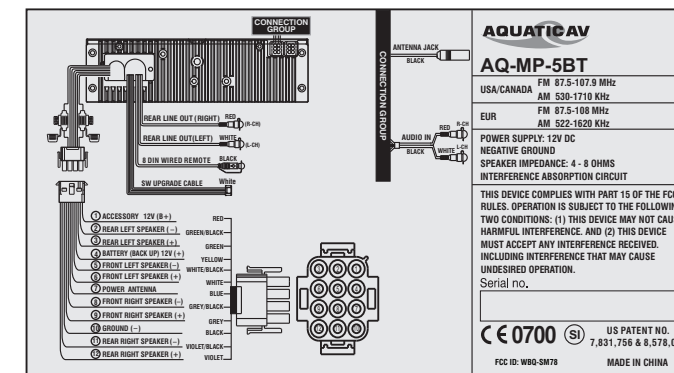
NOTE:

The equipment has been tested and found to comply with the limits for a Class B digital device, pursuant to Part 15 of the FCC Rules. These limits are designed to provide reasonable protection against harmful interference in a residential installation. This equipment generates, uses and can radiate radio frequency energy and, if not installed and used in accordance with the instructions, may cause harmful interference to radio communications. However, there is no guarantee that interference will not occur in a particular installation.

If this equipment does cause harmful interference to radio or television reception, which can be determined by turning the equipment off and on, the user is encouraged to try to correct the interference by one or more of the following measures:

- Reorient or relocate the receiving antenna.
- Increase the separation between the equipment and receiver.
- Connect the equipment into an outlet on a circuit different from that to which the receiver is connected.
- Consult the dealer or an experienced radio/TV technician for help.

The manufacturer is not responsible for any radio or TV interference caused by unauthorized modifications to this equipment. Such modifications could void the user authority to operate the equipment.



Patent: 7,831,756 & 8,578,081

Product design and specification subject to change without notice. E&OE.

Doc V1.1

Aquatic AV offers a limited warranty of our products on the following terms:

Length of warranty

2 years on audio systems, electronics, speakers, and accessories (receipt required).

Coverage

This warranty covers only the original purchaser of an Aquatic AV product purchased from an authorized Aquatic AV dealer. In order to receive service, the purchaser must provide Aquatic AV with a copy of the receipt stating the customer name, dealer name, product purchased and date of purchase.

Defective products

Products found to be defective during the warranty period will be repaired or replaced (with a product deemed to be equivalent) at Aquatic AV's discretion.

What is not covered

Damage caused by accident, abuse, improper operations or theft. Any cost or expense related to the removal or reinstallation of product. Service performed by anyone other than an authorized Aquatic AV service center. Any product with the serial number or tamper labels defaced, altered, or removed. Subsequent damage to other components. Any product not purchased from an authorized Aquatic AV dealer.

Limit on implied warranties

Any implied warranties including warranties of fitness for use and merchantability are limited in duration to the period of the express warranty set forth above. Some states do not allow limitations on the length of an implied warranty, so this limitation may not apply. No person is authorized to assume for Aquatic AV any other liability in connection with the sale of the product.

How to obtain service

You must obtain a return material authorization number (RMA) to return any product to Aquatic AV. You are responsible for shipping charges of returned products to Aquatic AV.

Please record the model and serial number[s] of your equipment in the space provided below as your permanent record and will assist us with your factory warranty coverage. These numbers can be found on the rear of the Digital Media Player.

Model number[s]:	Serial number[s]:


1.1 Contents

- AQ-MP-5BT Digital Media Player
- Wiring Harness (AQ-UNH-2)
- Four (4) Stainless Steel Mounting Screws
- Spare Fuse
- Mounting Template
- Mounting Bracket
- DIN Cage
- Owner's Manual

1.2 Connections (see Wiring Diagram 1.4)

1. 12-pin Watertight Harness

The 12-pin harness supplies power and ground connections to the Media Player and four (4) speaker channel output connections from the Media Player (see also 1.3 below).

 Do not cut or modify the 12-pin harness on the Locker side or warranty will be void.

2. FM Radio Antenna Jack

Connect antenna (AQ-ANT-1 sold separately) to female antenna receptacle. For best FM performance make sure the antenna is extended to the highest achievable position.

3. Auxiliary Outputs

Allows external amplifiers to be connected to power additional speakers.

4. Auxiliary Inputs

Allows an additional RCA input, from a standalone unit or another stereo source.

5. 8-pin DIN Cable

Allows connection of the wired Remote Control (AQ-WR-5F sold separately).

6. Bluetooth Antenna

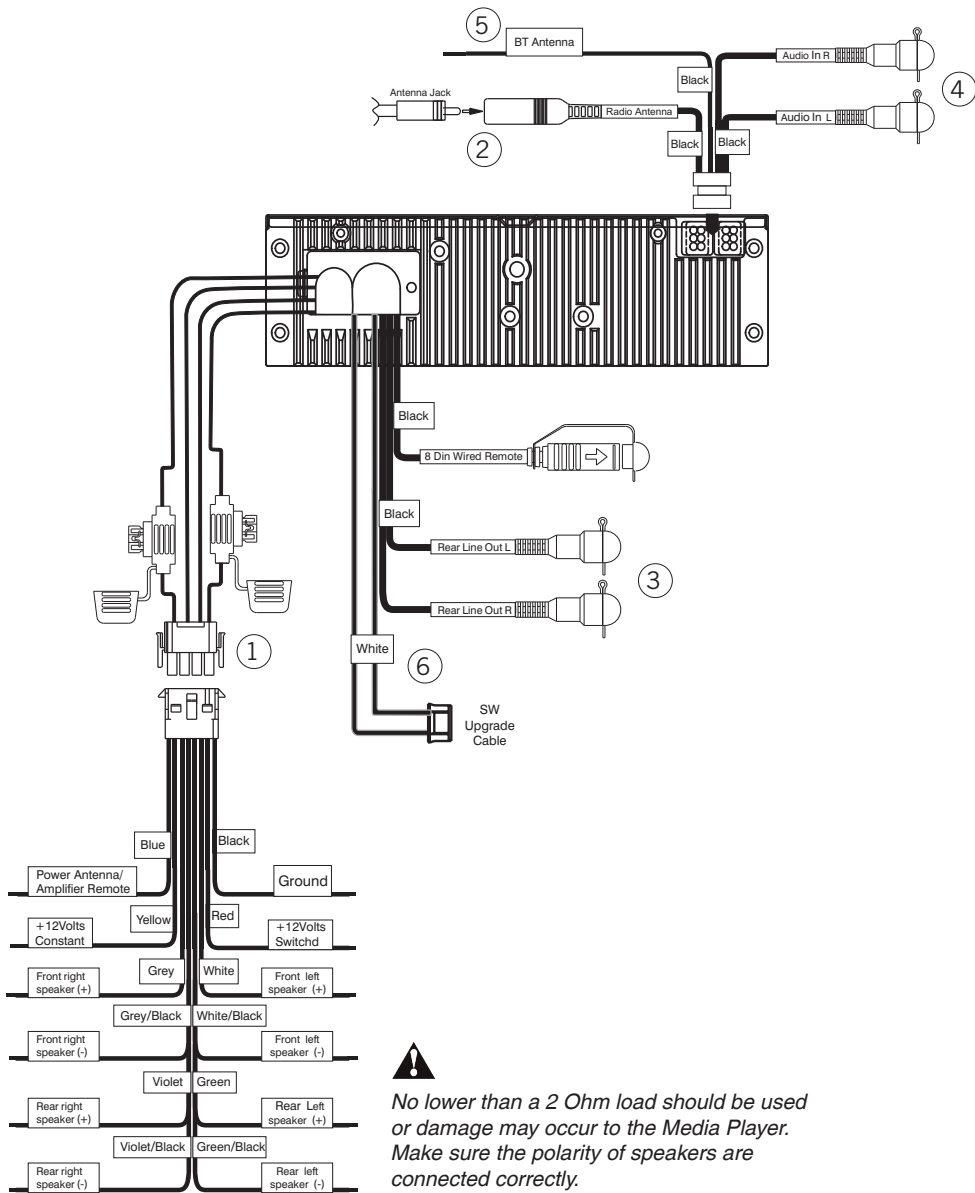
Allows a Bluetooth device to wirelessly connect to the unit.

1.3 12-pin Harness Connection (see Wiring Diagram 1.4)

The AQ-MP-5BT includes the universal harness AQ-UNH-2 in order to connect the stereo to power and speakers.

All open wire connections should be soldered and protected against water and dust for best long-term performance.

1.4 Wiring Diagram

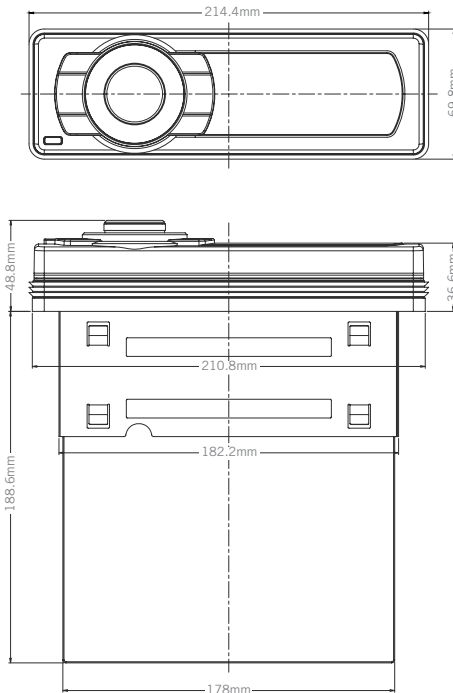


6.1 Specifications

- Media**
Supported media.....Bluetooth/MP3/FM/AM
Supported media max. dimensions.....107 x 184mm (WxH)
- Inputs**
Auxiliary.....1x 3.5mm stereo Jack socket, 1x stereo pair RCA
- Outputs**
Pre-Out.....1x stereo pair RCA (2V)
- Power**
Output voltage @ 2 Ohm.....4x 72W
Output voltage @ 4 Ohm.....4x 45W
Operation voltage.....9.6V - 14.4V DC
Max current draw.....7A
Standby current draw.....6mA
Operating Temperature.....-20°C~+35°C

- Multi-Environment Certifications**
Waterproof / Dustproof.....Yes IP65
Conformal PCB coating.....Yes
UV protection.....500 hours stable, ASTM D4329 compliant
Salt/Fog protection.....500 hours stable, ASTM B117 compliant
Stainless Steel mountings.....Yes

6.2 Dimensions



5.1 Audio Menu

From the 'Audio Menu' you are able to change the bass, treble, balance, and fader.

1. To enter the 'Audio Menu' press the 'AUDIO/MENU' button.
2. In the 'Audio Menu' press the 'AUDIO/MENU' to scroll through all options.
3. To change the parameters use the rotary knob to adjust settings.

i Any changes made in the 'Audio Menu' are system wide so it will affect all modes.

5.2 Menu

Enter the 'Menu' by pressing and holding the 'AUDIO/MENU' button. Pressing the 'Audio/Menu' option will take you through the menu items.

5.3 AS/PS (Auto Scan/Preset Scan)

Scans through the current frequency band, and assigns presets to the radio stations that have the strongest signal strength.

i Only does this for one AM/FM band at a time.

5.4 Local/Distant Tuning

When 'Local' is turned on, the stereo seeks to only the radio channels with strong signal strength. When 'Local' is turned off the stereo will seek to all radio channels it receives signal from.

i When local is turned on the word 'Local' will appear in the upper right hand corner.

5.5 Stereo/Mono

Change the output mode between stereo and mono. Some applications only accept a mono input.

5.6 FM Tuning Area

The FM tuning can be set to different areas, using the rotary knob to scroll through to select the desired tuning area.

There are seven different tuning areas: USA, EUR, LAT ,ASIA, MIDDLE EAST, AUSTRALIA, RUSSIA.

5.7 Beep Tone

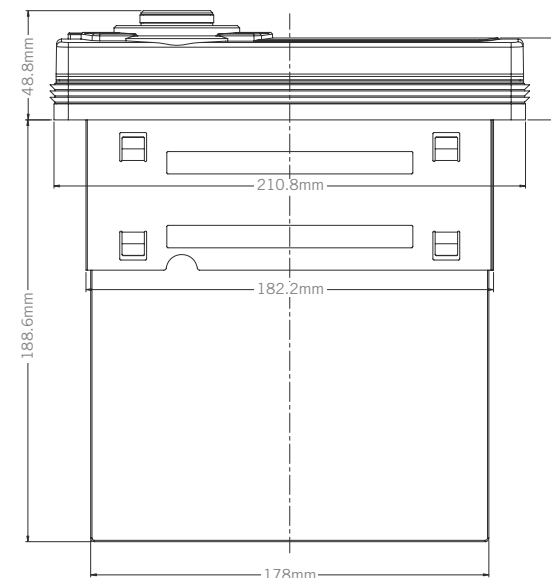
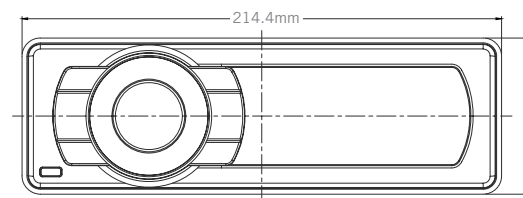
Beep tone plays when any button is pressed, it can be toggled on and off from this selection.

5.8 System Reset

System reset to try to clear and system hang ups, or any bugs that arise during use.

1.5. Mounting Precautions

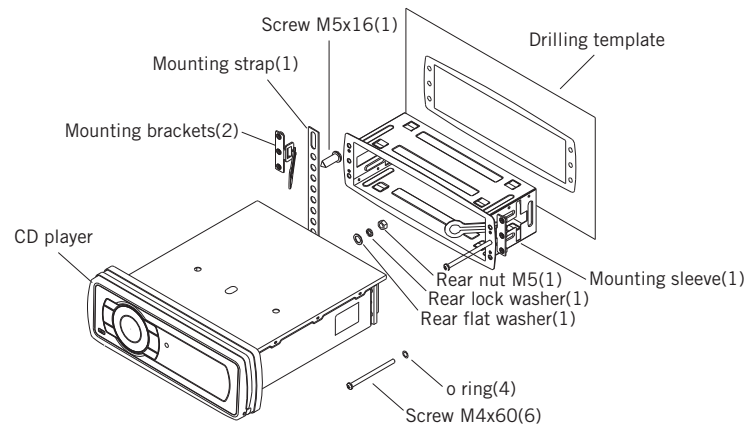
1. A mounting template is included. Aquatic AV recommends using the 'measure twice, cut once' method!
2. Once the mounting hole is complete, make sure the outside surface is clean and clear of debris. The Media Player has an external water/dust proof gasket, but this requires a clean and flat surface for best performance.
3. The Media Player has four (4) front screws. Drive the screws using a screw driver. During final mounting apply equal pressure to all points for the best water/dust outer seal performance. Make sure screws are snug and do not over tighten.
4. Review all outside surfaces of the Media Player to ensure a proper water/dust seal. This is important for long-term environmental protection performance for your digital media device.



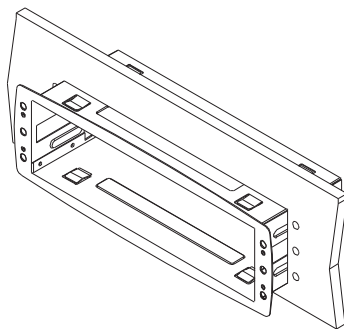
1.6 Mounting the Media Player

The AQ-MP-5BT is designed for a multi-environment application. For an easy system setup, mount the Media Player so the front controls will be easily accessible. In addition, observe the following precautions:

1. Check clearances on both sides of a planned installation before drilling any holes or installing any screws.
2. When routing RCA cables, keep them away from power cables and output speaker wires.
3. Due to the design for a multi environment application, always support the back of the unit with the supplied back strap.



1.6.1 Slide mounting sleeve into DIN opening



4.1 Enter FM Radio Mode

1. Press MODE on the unit keypad to switch to FM radio mode.

If this is the first time you listen to FM radio, the default frequency will be 87.5MHz, as shown on the display. FM radio is only available when you using the FM Radio mode.

4.2 Scan or Navigate FM Radio Channels

1. Press FAST REWIND/FAST FORWARD to seek another station.
2. Press and hold either FAST REWIND/FAST FORWARD for manual tuning back or forward.

4.3 Saving Radio Channel to Memory

1. Tune to the station you would like to be saved as a preset.
2. Press and hold the 'Preset' Button.
3. The stereo will enter the add preset button menu.
4. Using the rotary knob you can choose which preset slot you would like to save the current station to.
5. Upon successfully saving a preset, the preset number that was chosen will be shown in the right corner.

i Presets are only for the current band you are on. Each band FM1, FM2, FM3, AM1 and AM2 has six presets for a total of 30 (12 AM/18FM).

4.4 Listening to Saved Radio Memory

1. Once the presets have been set either manually or using AS/PS press the 'Preset' button to scroll through your presets.

i Each band FM1, FM2, FM3, AM1 and AM2 has six presets.

4.5 Switching between US and European FM Modes

1. When in 'RADIO' mode.
2. Press and hold the 'AUDIO/MENU' button to enter the System Menu.
3. Press the 'AUDIO/MENU' button to scroll through the options.
4. Scroll to 'AREA' then; turn the rotary knob to select your desired tuning area.
5. Once the desired tuning area has been selected you can press esc to return to FM Mode.

i US mode will increase and decrease the FM frequency in steps of 0.1 MHz, e.g. 88.5, 88.6, 88.7 MHz. EUR mode will increase and decrease the FM frequency in steps of 0.05 MHz, e.g. 88.25, 88.30, 88.35 MHz.

3.1 Listening via Bluetooth

3.1.1 Pair with Bluetooth Device

1. Switch on your Bluetooth device.
2. Select 'AQUATIC AV' from the list of available devices to pair (no password is needed).

i Only one Bluetooth device can be paired with the Media Player at any time.

3.1.2 Listening via Bluetooth Device

1. Bluetooth mode will be activated once a Bluetooth device is linked.
2. Play the song from device and the sound will play through the Media Player.
3. Press PLAY/PAUSE to play/pause the song.
4. Press FAST REWIND/FORWARD buttons to play previous/next song file.
5. Previous/next track and volume up/down can be controlled directly from your Bluetooth device remote control or directly from the Media Player controls.

3.2 Listening via Auxiliary Input (3.5mm Jack)

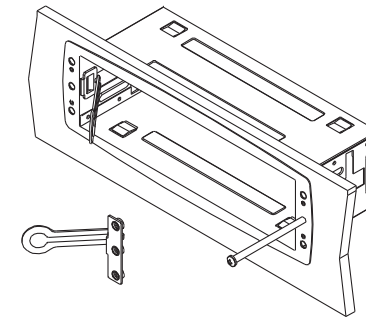
1. Remove the faceplate from the stereo.
2. Connect your MP3 device to the 3.5mm connector.
3. Re-attach the faceplate.
4. Press the rotary knob to power the unit ON (if the faceplate was removed with the stereo still powered on, it will power on by itself.)
5. Press MODE) on the remote control to select 'AUX IN-1' mode.

⚠ Always ensure to connect and disconnect your Media Player with dry hands!

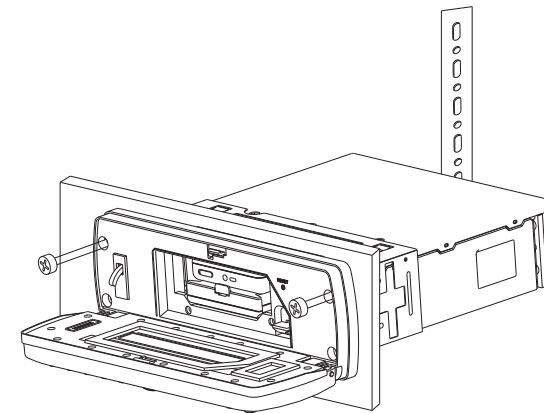
3.3 Adjust Volume Level

1. Turn the rotary knob counter clockwise increase the volume.
2. Turn the rotary knob clockwise to reduce the volume.

1.6.2 Slide mounting brackets into position and tighten center bolts. Remove mounting bracket handles by bending backing brackets handles until they break off.



1.6.3 Slide Media Player into mounting sleeve. Secure Media Player using supplied hardware and mounting strap.



1.7 Power On

The AQ-MP-5BT requires +12V DC to both the red and yellow wires. When both of these wires have power the AQ-MP-5BT is always powered on. Ground is connected to the black wire.

Once all connections are made press the rotary knob and the stereo will turn ON.

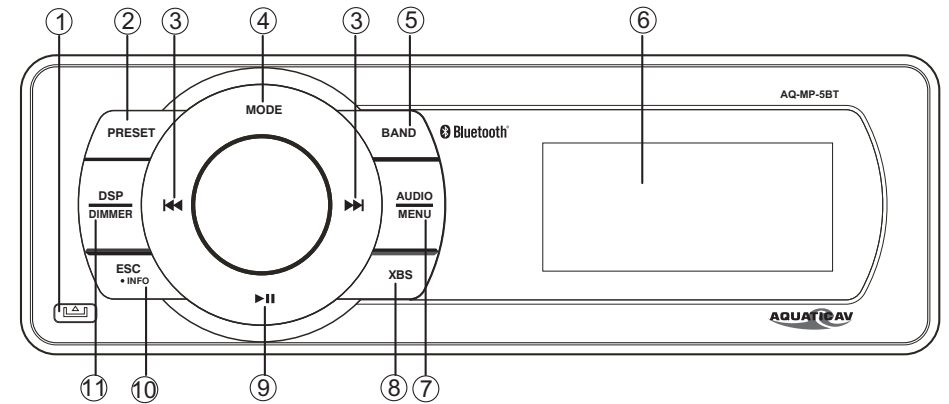
In a spa application this requires the red and yellow wires to be jumped together and then connected to the +12VDC output of the power source. In this set up the AQ-MP-5BT will always be on, with a very low current draw when idle.

In a boat, ATV or other application requiring power from a battery, the yellow wire (constant power) should be connected to the battery, and the red wire should be connected to the ignition or a switch.

For detailed instructions you can check out our online video:

'How to wire your Aquatic AV stereo system'
<http://www.aquaticav.com/support/videos>

2.1 Media Player Controls



- 1. Front face release
- 2. Preset station
- 3. Fast Rewind/Forward
- 4. Mode button
- 5. Band button
- 6. LCD screen
- 7. Audio/System menu
- 8. XBS function
- 9. Play/Pause
- 10. ESC/Information
- 11. DSP/Dimmer

Button	FM Mode	Aux In	Bluetooth
Rotary Knob	Short Press: Mute	Mute	Mute
	Long Press: Power Off	Power Off	Power Off
Mode	Short Press: Switches through different modes	Same	Same
	Long Press: No Function	Same	Same
Rotary Knob Clockwise	When turned clockwise the volume increases	Same	Same
Rotary Knob Counter Clockwise	When turned counter clockwise the volume decreases	Same	Same
Fast Forward	Short Press: Scans to the next station	No Function	Changes to next song
	Long Press: Switches into manual seek mode	No Function	No Function
Fast Rewind	Short Press: Scans to the previous station	No Function	Changes to Previous Song
	Long Press: Switches into manual seek mode	No Function	No Function
Play/Pause	Short Press: Toggles between Play and Pause	Same	Same
	Long Press: No Function	Same	Same
Band	Short Press: Switches between AM/FM Bands	No Function	No Function
	Long Press: No Function	No Function	No Function
xBass	Short Press: Toggles on/off crossover bass	Same	Same
	Long Press: No Function	Same	Same
DSP/Dimmer	Short Press: Turns on EQ Preset	Same	Same
	Long Press: Enables the two stage dimmer	Same	Same
ESC/Info	Short Press: Returns you to the Default Screen	Same	Same
	Long Press: Displays info if any available	No Function	Same
Preset	Short Press: Advances through presets	No Function	No Function
	Long Press: Set up new presets	No Function	No Function
Audio/Menu	Short Press: Takes you into the audio menu	Same	Same
	Long Press: Takes you into the system menu	Same	Same

i If your music player is connected via the Auxiliary input you will not be able to control track or receive track information.

i Turn off DSP to access control of Bass and Treble