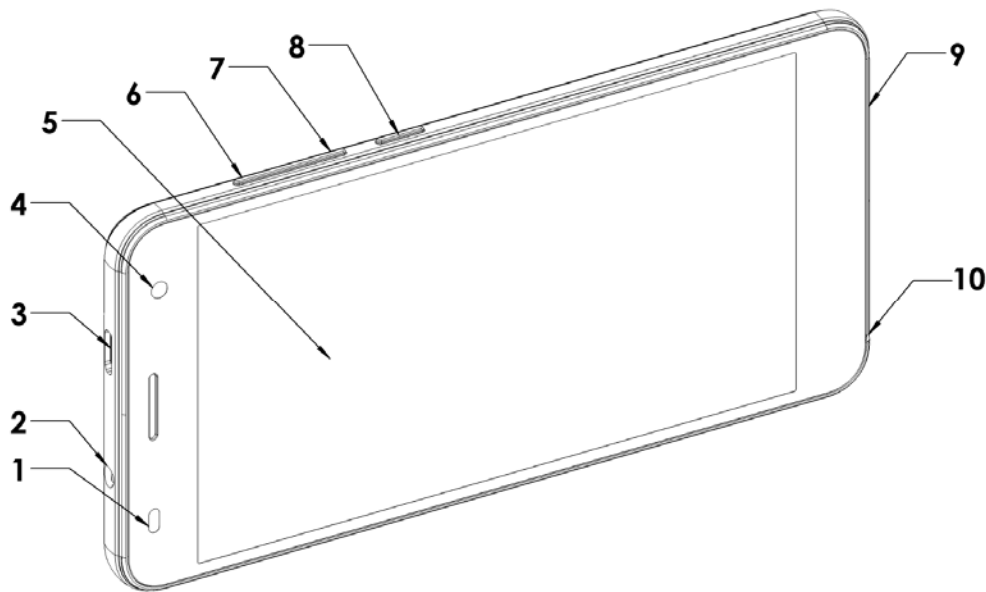




VEHICLE ACCESSORY INTERFACE

7450102

LINX DISPLAY QUICK START GUIDE



- | | | | |
|---|----------------|----|-----------------|
| 1 | Light Sensor | 6 | Volume Up Key |
| 2 | Audio Jack | 7 | Volume Down Key |
| 3 | USB Port | 8 | Power Button |
| 4 | Camera | 9 | Speaker |
| 5 | Display Screen | 10 | Microphone |

GETTING STARTED

Turning the device on

Press and hold the Power Button key (8) for a few seconds until the screen lights up.

Booting up

Upon startup, ARB LINX will be loaded automatically.

Option keys

The on screen option keys help users navigate around the display device. To go back to ARB LINX, simply press the center widget in the home screen.

Settings

To go to settings, swipe from the top down. Device is preset for optimum application with the LINX system. Users are advised to maintain all settings at default.

Charging the device

The charging port is at the side of the display device. Use ARB USB cable provided for most efficient charging.

Visit www.arb.com.au for more information.





VEHICLE ACCESSORY INTERFACE

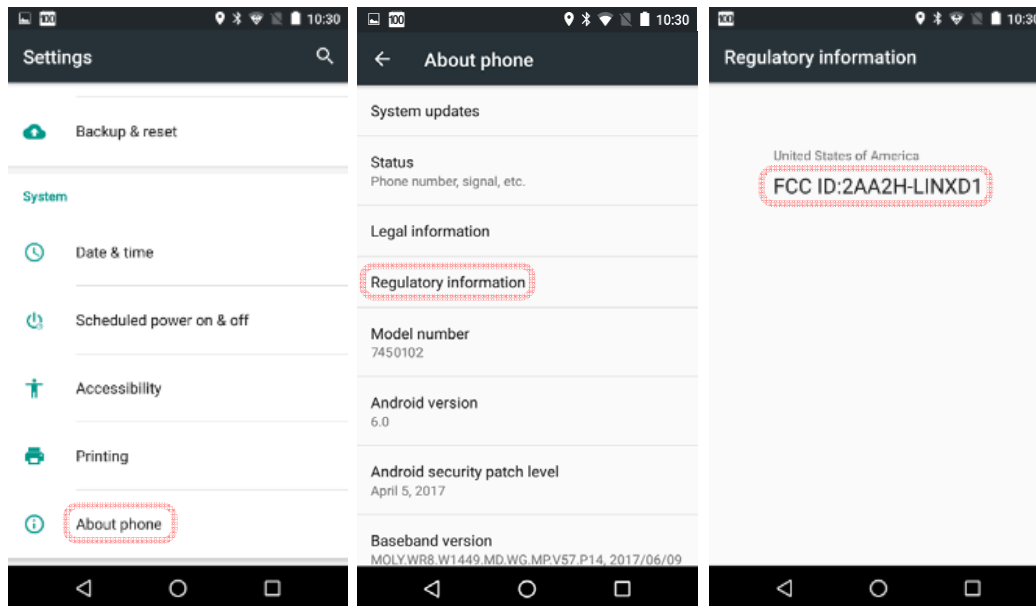
LOCATING FCC E-LABEL ON THE DEVICE

Regulatory Information

To view regulatory marks and related information on the device, go to:
Settings > About phone > Regulatory information

Setting Menu

- Step 1 Select 'About Phone'
- Step 2 Select 'Regulatory information'



FCC ID is also applied in the battery compartment.

FCC ID 2AA2H-LINXD1
P/N 7450102

NOTE:

This device complies with Part 15 of the FCC Rules. Operation is subject to the following two conditions: (1) this device may not cause harmful interference, and (2) this device must accept any interference received, including interference that may cause undesired operation.

FCC RF Exposure Information and Statement

The SAR limit of USA (FCC) is 1.6 W/kg averaged over one gram of tissue. Device types LINX DISPLAY / (FCC ID: 2AA2H-LINXD1) has also been tested against this SAR limit. SAR information on this and other pad can be viewed on - line at <http://www.fcc.gov/oet/ea/fccid/>. Please use the device FCC ID number for search. This device was tested for typical body-worn operations with the back of the handset kept 10mm from the body. To maintain compliance with FCC RF exposure requirements, use accessories that maintain a 10mm separation distance between the user's body and the back of the handset. The use of belt clips, holsters and similar accessories should not contain metallic components in its assembly. The use of accessories that do not satisfy these requirements may not comply with FCC RF exposure requirements, and should be avoided.

FCC Warning

This device complies with Part 15 of the FCC Rules. Operation is subject to the following two conditions:

(1) This device may not cause harmful interference, and (2) this device must accept any interference received, including interference that may cause undesired operation.

NOTE 1: This equipment has been tested and found to comply with the limits for a Class B digital device, pursuant to part 15 of the FCC Rules. These limits are designed to provide reasonable protection against harmful interference in a residential installation. This equipment generates, uses and can radiate radio frequency energy and, if not installed and used in accordance with the instructions, may cause harmful interference to radio communications. However, there is no guarantee that interference will not occur in a particular installation. If this equipment does cause harmful interference to radio or television reception, which can be determined by turning the equipment off and on, the user is encouraged to try to correct the interference by one or more of the following measures:

- Reorient or relocate the receiving antenna.
- Increase the separation between the equipment and receiver.
- Connect the equipment into an outlet on a circuit different from that to which the receiver is connected.
- Consult the dealer or an experienced radio/TV technician for help.

NOTE 2: Any changes or modifications to this unit not expressly approved by the party responsible for compliance could void the user's authority to operate the equipment.