

# **Outdoor USB CPE**

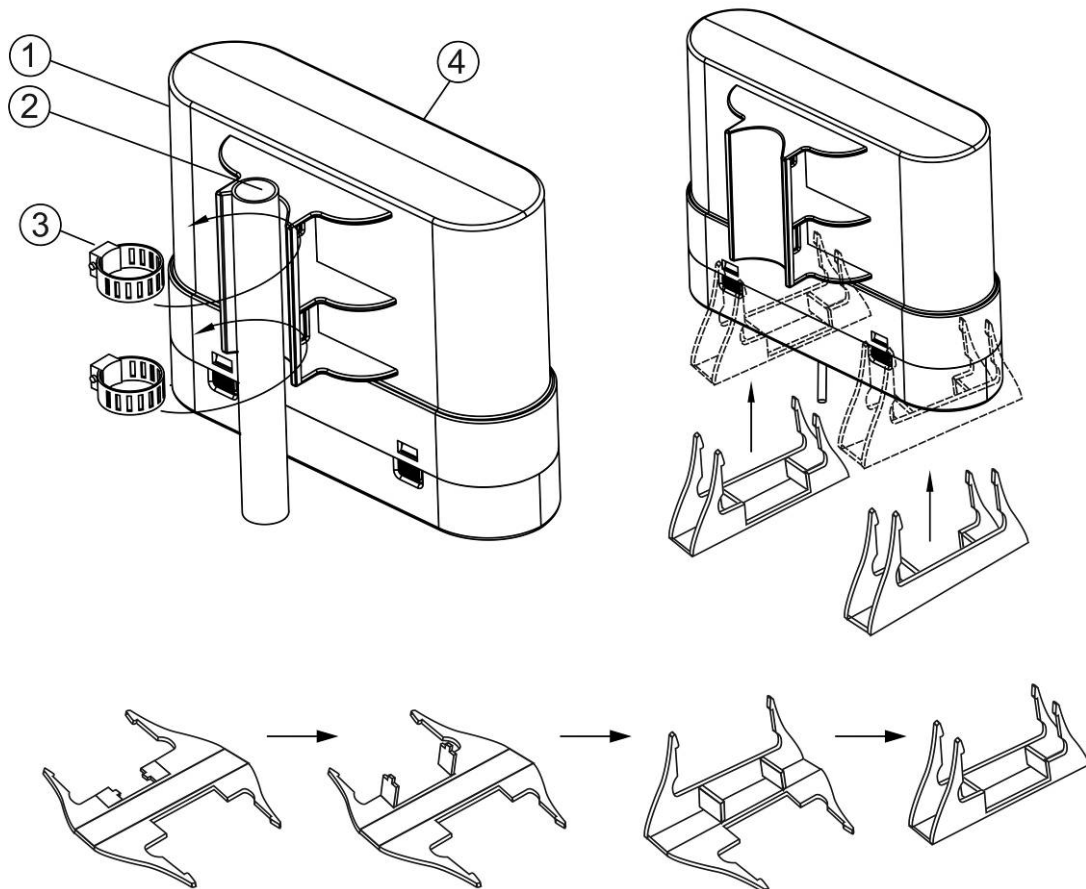
## **Quick Installation Guide**

## 1. Check the parts in your box

CPE SET	1
USB Cable	1
Hose Clamps	2
Stand	2
CD Driver	1

## 2. How to fix the CPE on the Pole (1"- 1.5") (For better water resistance please wrap the USB cable connector)

- 1.CPE SET
- 2.POLE 1"~1.5"
- 3.HOSE CLAMP 2"
- 4.2.4G/12dBi PATCH ANTENNA INSIDE



ARGtek USB CPE which fully supports the features and functional compliance of IEEE 802.11 b/g/n standards and operate in 2.4GHz bands. It enables the deployment the latest updated QoS–WMM, WMM-PS ,support MIMO, connectivity at high throughput from an extended distance and giving end users the greatest performance

## Features

- Cisco CCX Support up to v5.0
- 2.4GHz unlicensed ISM frequency band
- Support QoS – WMM, WMM-PS, MIMO
- Support USB 2.0 interface
- WEP 64/128-bit , WPA, WPA2 support
- Multiple BSSID Support
- Software AP mode

<b>Specifications</b>	
Standard	IEEE 802.11b, IEEE 802.11g, IEEE802.11n
Frequency Band	11b/g/n 2.4GHZ
Data Rate	802.11b: Up to 11 Mbps 802.11g: Up to 54 Mbps 802.11n: Up to 300Mbps
LED indicators	Active/Power
Interface	USB2.0
Antenna	<b>Internal Patch antenna*2</b> <b>12dBi SMA/Female antenna connector*2</b>
Transmitter Power	802.11b 12 ± 2 dBm 802.11g 16 ± 2 dBm 802.11n 16 ± 2 dBm
Receive Sensitivity	-75dBm@802.11n   -73dBm@54Mbps -86dBm@11Mbps   -92dBm@1Mbps
Operating Range	Up to 500M, depending on surrounding environment
Power Consumption	Transmit:<500mA, Receive:<300mA
Security	64/128-bit WEP, WPA, WPA2
Operating System	Windows XP/98SE/ME/CE/2000, Vista , Linux and Apple Mac

Operating Temperature	0~55 Celsius
Storage Temperature	-10 ~ 70 Celsius
Humidity	5~90%(non-condensing)
Dimension	9.3(L) x 6.4(W) x 2.1 (H) cm

### **Federal Communication Commission Interference Statement**

This equipment has been tested and found to comply with the limits for a Class B digital device, pursuant to Part 15 of the FCC Rules. These limits are designed to provide reasonable protection against harmful interference in a residential installation. This equipment generates, uses and can radiate radio frequency energy and, if not installed and used in accordance with the instructions, may cause harmful interference to radio communications. However, there is no guarantee that interference will not occur in a particular installation. If this equipment does cause harmful interference to radio or television reception, which can be determined by turning the equipment off and on, the user is encouraged to try to correct the interference by one of the following measures:

- Reorient or relocate the receiving antenna.
- Increase the separation between the equipment and receiver.
- Connect the equipment into an outlet on a circuit different from that to which the receiver is connected.
- Consult the dealer or an experienced radio/TV technician for help.

This device complies with Part 15 of the FCC Rules. Operation is subject to the following two conditions: (1) This device may not cause harmful interference, and (2) this device must accept any interference received, including interference that may cause undesired operation.

FCC Caution: Any changes or modifications not expressly approved by the party responsible for compliance could void the user's authority to operate this equipment.

IEEE 802.11b or 802.11g operation of this product in the U.S.A. is firmware-limited to channels 1 through 11.

### **IMPORTANT NOTE:**

#### **FCC Radiation Exposure Statement:**

This equipment complies with FCC radiation exposure limits set forth for an uncontrolled environment. This equipment should be installed and operated with minimum distance 20cm between the radiator & your body.

This transmitter must not be co-located or operating in conjunction with any other antenna or transmitter.