

CPE2630

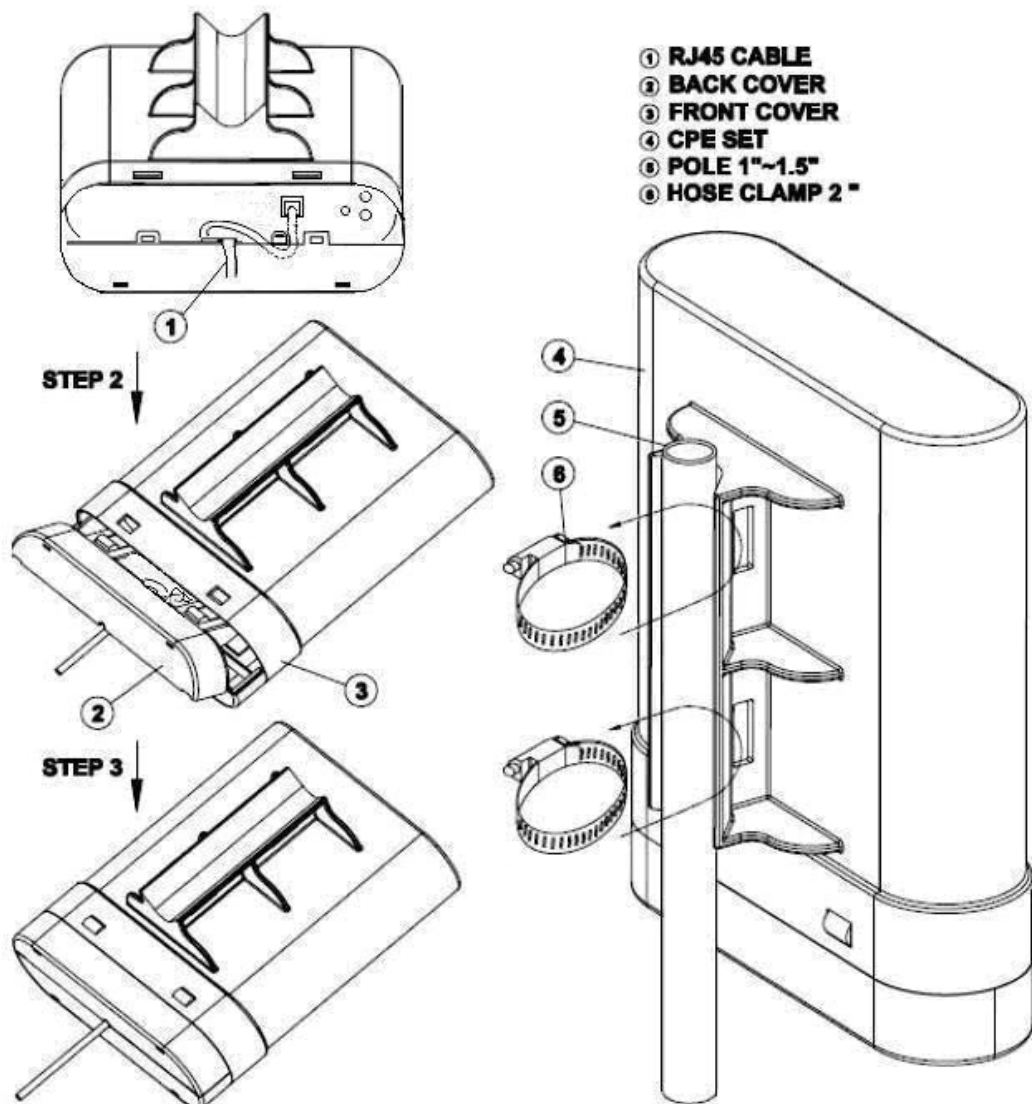
Quick Installation Guide

1. Check the parts in your box

CPE SET	1
DC 12V @ 1.25A Power Adapter	1
PoE DC Power Injector	1
Hose Clamps	2
CD user manual	1

2. How to fix the CPE on the Pole (1"- 1.5")

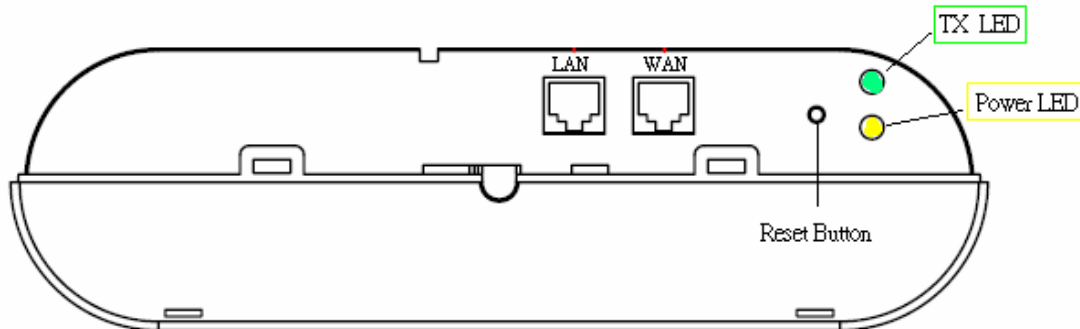
(For better water resistance please wrap the RJ45 connector)



3. PoE connection

1. Connect (POE) RJ45 Jack to CPE RJ45 Jack with good quality Ethernet cable.
2. Connect (LAN) Jack to PC or Switch Hub LAN port.
3. Plug in the power adaptor to PoE DC jack.

4. CPE Connection



1. Open the CPE enclosure you will find one RJ45 Jacks two LEDs and one reset button.
2. Connect the PoE cable to either LAN port.
3. To reset the CPE just press and hold the reset button for about 10 seconds and wait for 35 seconds to reboot the CPE.

Notice:

This CPE default operation mode is in Bridge mode. Please go to the webpage and change the operation mode to other mode for your CPE.

5. CPE configuration

The WLAN Broadband Router is delivered with the following factory default parameters on the Ethernet LAN interfaces.

Default IP Address: 10.10.10.254

Default IP subnet mask: 255.255.255.0

WEB login User Name: admin

WEB login Password: admin

The device has four operation modes (Gateway/Bridge/WISP/AP Client).

Bridge/WISP/AP Client:

The default IP addresses for the device are 10.10.10.254, so you need to make sure the IP address of your PC is in the same subnet as the device, such as 10.10.10.X.

It will take about 25 seconds to complete the boot up sequence after power on from PoE.

Gateway:

The default IP addresses for the device are 172.32.1.254, so you need to make sure the IP address of your PC is in the same subnet as the device, such as 172.32.1.X.

It will take about 25 seconds to complete the boot up sequence after power on from PoE.

Federal Communication Commission Interference Statement

This device complies with Part 15 of the FCC Rules. Operation is subject to the following two conditions: (1) This device may not cause harmful interference, and (2) this device must accept any interference received, including interference that may cause undesired operation.

This equipment has been tested and found to comply with the limits for a Class B digital device, pursuant to Part 15 of the FCC Rules. These limits are designed to provide reasonable protection against harmful interference in a residential installation. This equipment generates, uses and can radiate radio frequency energy and, if not installed and used in accordance with the instructions, may cause harmful interference to radio communications. However, there is no guarantee that interference will not occur in a particular installation. If this equipment does cause harmful interference to radio or television reception, which can be determined by turning the equipment off and on, the user is encouraged to try to correct the interference by one of the following measures:

- Reorient or relocate the receiving antenna.
- Increase the separation between the equipment and receiver.
- Connect the equipment into an outlet on a circuit different from that to which the receiver is connected.
- Consult the dealer or an experienced radio/TV technician for help.

FCC Caution: Any changes or modifications not expressly approved by the party responsible for compliance could void the user's authority to operate this equipment.

This transmitter must not be co-located or operating in conjunction with any other antenna or transmitter.

Radiation Exposure Statement:

This equipment complies with FCC radiation exposure limits set forth for an uncontrolled environment. This equipment should be installed and operated with minimum distance 50cm between the radiator & your body.

Note: The country code selection is for non-US model only and is not available to all US model. Per FCC regulation, all WiFi product marketed in US must fixed to US operation channels only.

Professional installation instruction

Please be advised that due to the unique function supplied by this product, the device is intended for use with our interactive entertainment software and licensed third-party only. The product will be distributed through controlled distribution channel and installed by trained professional and will not be sold directly to the general public through retail store.

1. Installation personal

This product is designed for specific application and needs to be installed by a qualified personal who has RF and related rule knowledge. The general user shall not attempt to install or change the setting.

2. Installation location

The product shall be installed at a location where the radiating antenna can be kept 50cm from nearby person in normal operation condition to meet regulatory RF exposure requirement.

3. External antenna

Use only the antennas which have been approved by the applicant. The non-approved antenna(s) may produce unwanted spurious or excessive RF transmitting power which may lead to the violation of FCC limit and is prohibited.

4. Installation procedure

Please refer to user's manual for the detail.

5. Warning

Please carefully select the installation position and make sure that the final output power does not exceed the limit set force in relevant rules. The violation of the rule could lead to serious federal penalty.