



blackwebTM

Wireless Charging Stand

Model: BWB18WI704

PRODUCT GUIDE

Ver.00 Rev.06/19/18

What is included?

- Wireless Charging Stand
- A 3ft/914mm Micro-USB cable
- A 18W AC QC Adaptor

Specifications

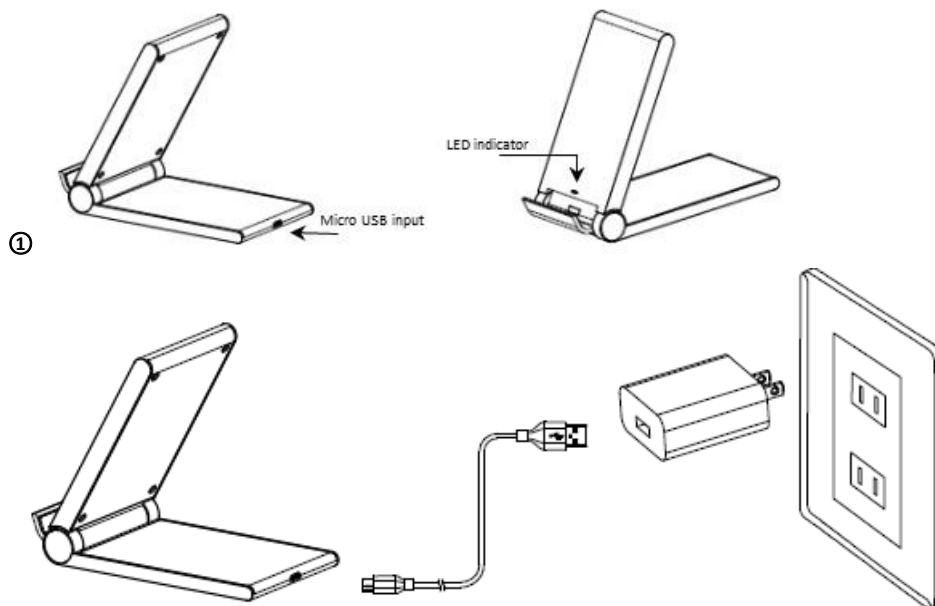
- Wireless Charging Stand

Model	BWB18WI704
Input	Micro-USB, 5V/2A, 9V/1.67A
Output	5W/7.5W/10W

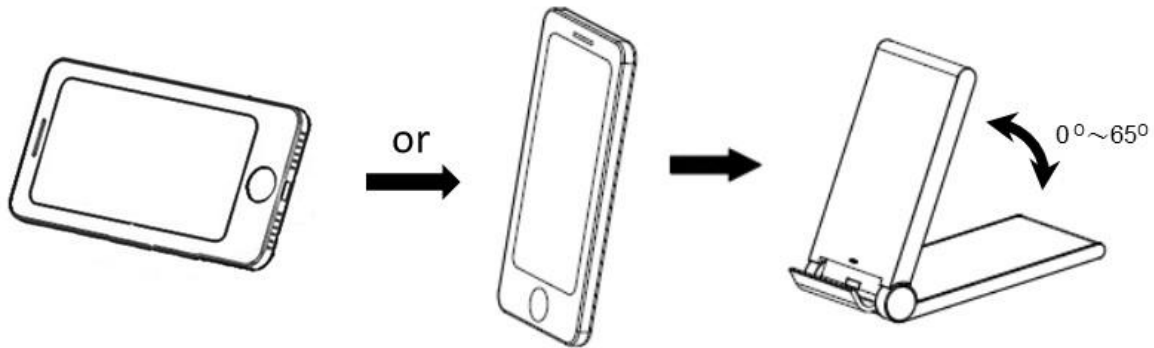
Wireless Charging Stand LED Indicator/Status

LED Indicator	Status
Green	Connected to power, standby for charging
Blue	Charging mobile device
Flashing blue	Foreign object detected (Remove it before charging)

How to Charge Your Devices



1, Insert the USB end of cable into power adaptor, and connect Micro-USB end of the cable with the wireless charger, the green LED indicator lights up after it is connected well.

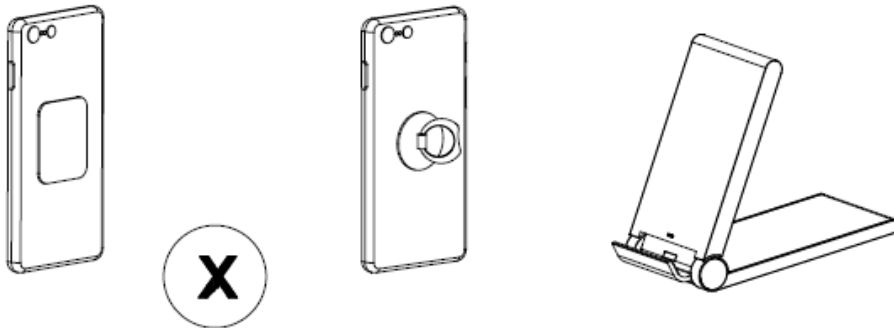


②

2, Put your mobile phone vertically or horizontally on the wireless charging stand and ensure its center aligns with the center of wireless charger. Besides, you can adjust your wireless charging stand angle from 0 to 65 degree you want while using.

Note: Using an ultra-thick protective phone case ($\geq 5\text{mm}$) or a case with a magnetic/iron is not recommended as it may affect the wireless charging function.

Caution



- Avoid dropping.
- Do not disassemble.
- No metal object between devices and wireless charging stand.
- Keep wireless charging stand away from any liquids or moisture.
- The maximum ambient temperature during use of this product must not exceed 45°C. Do not place device in fire or other excessively hot environments.
- Only use dry cloth or brush to clean this product.
- Do not use if visible defects are observed on the wireless charging stand.

Fast Wireless Charging

- This new charger supports 5W and 10W modes on Android phones.
- Experience wireless charging using the Qi wireless standard, which delivers up to 7.5W to your iPhone.
- Leverages quick-charging speeds with up to 10W of power for newer Samsung flagship phone.

Warning

Any changes or modifications not expressly approved by the party responsible for compliance could void the user's authority to operate this equipment.

FCC Statements

This device complies with Part 15 of the FCC Rules

Operation is subject to the following two conditions

(1) This device may not cause harmful interference, and

(2) This device must accept any interference received including interference that may cause undesired operation

NOTE: This equipment has been tested and found to comply with the limits for a Class B digital device, pursuant to Part 15 of the FCC Rules. These limits are designed to provide reasonable protection against harmful interference in a residential installation. This equipment generates uses and can radiate radio frequency energy and, if not installed and used in accordance with the instructions, may cause harmful interference to radio communications. However, there is no guarantee that interference will not occur in a particular installation. If this equipment does cause harmful interference to radio or television reception, which can be determined by turning the equipment off and on, the user is encouraged to try to correct the interference by one or more of the following measures:

- Reorient or relocate the receiving antenna
- Increase the separation between the equipment and receiver
- Connect the equipment into an outlet on a circuit different from that to which the receiver is connected
- Consult the dealer or an experienced radio/TV technician for help

Note: The manufacturer is not responsible for any radio or TV interference caused by unauthorized modifications to this equipment. Such modifications could void the user's authority to operate this equipment. Changes or modifications not expressly approved by the party responsible for compliance could void the user's authority to operate the equipment. The distance between user and products should be no less than 20cm.

