

ACG HF Mifare Easy Module

Document No.: 1503-USM-01-0-01

Firmware: Version 1.0

User Manual

The logo for ACG, consisting of the letters 'ACG' in a bold, blue, sans-serif font.

ACG Identification Technologies GmbH
Am Klängenweg 6A
65396 Walluf
Germany
Phone +49 (0) 6123 791 0
Fax +49 (0) 6123 791 199
www.acg.de rfid@acg.de

Edition One - April 2005

ACG Identification Technologies GmbH (ACG) reserves the right to make changes to its products or services or to discontinue any product or service at any time without notice. ACG provides customer assistance in various technical areas, but does not have full access to data concerning the use and applications of customer's products.

Therefore, ACG assumes no liability and is not responsible for customer applications or product or software design or performance relating to systems or applications incorporating ACG products. In addition, ACG assumes no liability and is not responsible for infringement of patents and/or any other intellectual or industrial property rights of third parties, which may result from assistance provided by ACG.

ACG products are not designed, intended, authorized or warranted to be suitable for life support applications or any other life critical applications that could involve potential risk of death, personal injury or severe property or environmental damage.

With the edition of this document, all previous editions become void. Indications made in this manual may be changed without previous notice.

Composition of the information in this manual has been done to the best of our knowledge. ACG does not guarantee the correctness and completeness of the details given in this manual and may not be held liable for damages ensuing from incorrect or incomplete information. Since, despite all our efforts, errors may not be completely avoided, we are always grateful for your useful tips.

The installation instructions given in this manual are based on advantageous boundary conditions. ACG does not give any guarantee promise for perfect function in cross environments.

The ACG logo is a registered trademark of ACG Identification Technologies GmbH.

Copyright © 2005 ACG Identification Technologies GmbH (ACG)

This document may be downloaded onto a computer, stored and duplicated as necessary to support the use of the related ACG products. Any other type of duplication, circulation or storage on data carriers in any manner not authorized by ACG represents a violation of the applicable copyright laws and shall be prosecuted.

Safety Instructions / Warning - Read before start-up!

- The device may only be used for the intended purpose designed by for the manufacturer. The operation manual should be conveniently kept available at all times for each user.
- Unauthorized changes and the use of spare parts and additional devices that have not been sold or recommended by the manufacturer may cause fire, electric shocks or injuries. Such unauthorized measures shall exclude any liability by the manufacturer.
- The liability-prescriptions of the manufacturer in the issue valid at the time of purchase are valid for the device. The manufacturer shall not be held legally responsible for inaccuracies, errors, or omissions in the manual or automatically set parameters for a device or for an incorrect application of a device.
- Repairs may be executed by the manufacturer only.
- Only qualified personnel should carry out installation, operation, and maintenance procedures.
- Use of the device and its installation must be in accordance with national legal requirements and local electrical codes.
- When working on devices the valid safety regulations must be observed.

Preface

Read This First

About This Guide

This manual describes the HF Mifare Easy Read/Write Module. Its goal is to describe the reader, how it works, how to integrate it and how to use it.

If You Need Assistance

Our application center is located in Europe to provide direct support. For more information, please contact your nearest ACG Sales Center. The contact addresses can be found on our home page:

<http://www.acg.de>

Table of contents

| | | |
|----------|--|-----------|
| 1 | Scope | 8 |
| 2 | Extended Documentation | 8 |
| 3 | Definitions and abbreviations | 8 |
| 3.1 | Definitions | 8 |
| 3.1.1 | Anticollision loop | 8 |
| 3.1.2 | Hex notation | 8 |
| 3.1.3 | ASCII notation | 8 |
| 3.2 | Abbreviations..... | 9 |
| 4 | Supported tags | 10 |
| 5 | The Mifare transponder family | 11 |
| 5.1 | State Diagram | 11 |
| 5.2 | Mifare Standard..... | 12 |
| 5.2.1 | Definitions | 12 |
| 5.2.2 | Sector 0 / Block 0 | 13 |
| 5.2.3 | Block 3, 7, 11, 15, | 13 |
| 5.3 | Mifare Ultralight | 13 |
| 5.4 | Mifare 4k | 14 |
| 5.5 | Mifare ProX | 14 |
| 5.6 | Mifare DESFire..... | 15 |
| 5.6.1 | Memory organization..... | 15 |
| 5.6.2 | State diagram of DESFire | 16 |
| 5.6.2.1 | Activate PICC..... | 16 |
| 5.6.2.2 | Select application with ID | 16 |
| 5.6.2.3 | Login to application | 16 |
| 5.6.2.4 | Select file with ID | 17 |
| 5.6.2.5 | Change file..... | 17 |
| 5.6.2.6 | Commit/ Abort transaction..... | 17 |
| 6 | Hardware | 18 |
| 6.1 | Pin out of OEM Module (Top View) | 18 |
| 6.1.1 | Pin out..... | 19 |
| 6.1.2 | Electrical characteristics of PINs | 20 |
| 6.1.3 | External Connections | 21 |
| 6.1.3.1 | Power Supply..... | 21 |
| 6.1.3.2 | Antenna..... | 22 |
| 6.1.3.3 | Serial Interface..... | 22 |
| 6.1.3.4 | Function Control LEDs | 23 |
| 7 | Software | 24 |
| 7.1 | ASCII Protocol..... | 24 |

- 7.2 Binary Protocol 24
 - 7.2.1 STX 24
 - 7.2.2 Station ID 24
 - 7.2.3 Length 24
 - 7.2.4 Data 25
 - 7.2.5 Block Check Character (BCC)..... 25
 - 7.2.6 ETX 25
 - 7.2.7 Remarks..... 25
 - 7.2.8 Examples 26
- 7.3 Register Set..... 26
 - 7.3.1 EEPROM memory organization 26
 - 7.3.2 Unique device ID (00h – 03h)..... 26
 - 7.3.3 StationID (04h) 27
 - 7.3.4 Protocol configuration (05h) 27
 - 7.3.4.1 Autostart (default 1) 27
 - 7.3.4.2 Protocol (default 0)..... 27
 - 7.3.4.3 Extended ID (default 0) 28
 - 7.3.4.4 Binary Timeout (default 0)..... 28
 - 7.3.4.5 Multitag (default 0) 28
 - 7.3.5 BAUD, Baud rate control register (0Ch) 29
 - 7.3.6 Reset Off Time (07h)..... 29
 - 7.3.7 Reset Recovery Time (08h) 30
 - 7.3.8 User data (10h - 13h) 30
- 7.4 Instruction Set 31
 - 7.4.1 Overview 31
 - 7.4.2 Error Codes..... 32
 - 7.4.3 Common commands 33
 - 7.4.3.1 Increment value block (credit) 33
 - 7.4.3.1.1 No value block 'I' 33
 - 7.4.3.1.2 Increment failure 'F'..... 33
 - 7.4.3.1.3 No tag error 'N' 33
 - 7.4.3.1.4 Unable to read after write 'X' 34
 - 7.4.3.2 Decrement value block (debit) 34
 - 7.4.3.2.1 No value block 'I' 34
 - 7.4.3.2.2 Decrement failure 'F' 34
 - 7.4.3.2.3 No tag error 'N' 35
 - 7.4.3.2.4 Unable to read after write 'X' 35
 - 7.4.3.3 Copy value block (backup)..... 35
 - 7.4.3.3.1 Target block 36
 - 7.4.3.3.2 No value block 'I' 36
 - 7.4.3.3.3 Copy failure 'F' 36
 - 7.4.3.3.4 No tag error 'N'..... 36

| | | |
|------------|--|----|
| 7.4.3.3.5 | Unable to read after write 'X' | 36 |
| 7.4.3.4 | Continuous Read | 37 |
| 7.4.3.4.1 | Multitag continuous read mode | 37 |
| 7.4.3.4.2 | Auto start | 37 |
| 7.4.3.4.3 | Binary mode..... | 37 |
| 7.4.3.4.4 | Simple access control applications | 38 |
| 7.4.3.4.5 | Extended ID | 38 |
| 7.4.3.5 | Get Station ID | 38 |
| 7.4.3.5.1 | Time slotted answer..... | 39 |
| 7.4.3.6 | Login (authenticate tag) | 40 |
| 7.4.3.6.1 | No tag error 'N' | 41 |
| 7.4.3.6.2 | <CR> | 41 |
| 7.4.3.6.3 | Login with keydata from EEPROM | 42 |
| 7.4.3.6.4 | Usage of key A, key B..... | 42 |
| 7.4.3.7 | Multi Tag Selection / List..... | 42 |
| 7.4.3.7.1 | Multi tag list..... | 43 |
| 7.4.3.7.2 | Reading distance | 43 |
| 7.4.3.7.3 | Multi tag select..... | 43 |
| 7.4.3.7.4 | Multi tag reset | 43 |
| 7.4.3.7.5 | Maximum number of tags | 43 |
| 7.4.3.8 | Antenna power on/off | 44 |
| 7.4.3.8.1 | Power off..... | 44 |
| 7.4.3.8.2 | Power on..... | 44 |
| 7.4.3.8.3 | Reset Timing..... | 44 |
| 7.4.3.9 | Read/Write user port..... | 45 |
| 7.4.3.9.1 | Read port | 45 |
| 7.4.3.9.2 | Write port | 46 |
| 7.4.3.10 | Read block..... | 46 |
| 7.4.3.10.1 | Read failure 'F' | 47 |
| 7.4.3.10.2 | No tag in field 'N' | 47 |
| 7.4.3.10.3 | Operation mode failure 'O' | 47 |
| 7.4.3.11 | Read reader EEPROM..... | 47 |
| 7.4.3.12 | Read value block | 48 |
| 7.4.3.12.1 | No value block 'I' | 48 |
| 7.4.3.12.2 | No tag error 'N' | 48 |
| 7.4.3.12.3 | General failure 'F' | 48 |
| 7.4.3.13 | Select..... | 49 |
| 7.4.3.13.1 | Select a single tag..... | 49 |
| 7.4.3.13.2 | Extended ID | 49 |
| 7.4.3.13.3 | Multiple tags..... | 49 |
| 7.4.3.14 | Get Version | 50 |
| 7.4.3.15 | Write block | 51 |

| | | |
|------------|--|-----------|
| 7.4.3.15.1 | Write failure 'F' | 51 |
| 7.4.3.15.2 | No tag error 'N' | 51 |
| 7.4.3.15.3 | Operation mode failure 'O' | 52 |
| 7.4.3.16 | Write EEPROM | 52 |
| 7.4.3.17 | Write master key | 53 |
| 7.4.3.17.1 | Writing master keys | 53 |
| 7.4.3.17.2 | Using master keys for authentication | 53 |
| 7.4.3.18 | Write value block..... | 54 |
| 7.4.3.18.1 | Invalid value 'I' | 54 |
| 7.4.3.18.2 | Write failure 'F' | 54 |
| 7.4.3.18.3 | No tag error 'N' | 54 |
| 7.4.3.18.4 | Writing values | 55 |
| 7.4.3.19 | Reset..... | 55 |
| 7.4.3.19.1 | Reset Timing..... | 55 |
| 8 | Frequently Asked Questions..... | 56 |
| 8.1 | Getting Started | 56 |
| 8.2 | How should the Mifare Easy Reader be personalized? | 56 |
| 8.3 | What type of Mifare® card should I use? | 57 |
| 8.4 | How safe is Mifare® Standard for cashless payment? | 58 |
| 8.5 | Mifare® Standard Sector Trailer and Access Conditions..... | 59 |
| 8.5.1 | Examples | 60 |
| 8.5.1.1 | Ticketing Applications | 60 |
| 8.5.1.2 | Data Handling Applications | 60 |
| 8.5.1.3 | No Security, open configuration | 60 |
| 8.6 | Using a Mifare card | 60 |
| 9 | References | 61 |
| 10 | Appendix A: Antenna..... | 62 |
| 11 | Appendix B: Compact P&P Module..... | 63 |
| 12 | Appendix C: Short Range P&P Module | 65 |
| 13 | Appendix D: Timings | 67 |
| 14 | Appendix E: Release Notes..... | 68 |
| 14.1 | Version History | 68 |
| 14.1.1 | Mifare 1.0 | 68 |
| 14.2 | Revision history | 68 |
| 15 | Appendix F: CE Declaration | 69 |
| 16 | Appendix G: FCC Declaration | 70 |

1 Scope

The MIFARE® Application Oriented Protocol is a reader Interface to communicate with MIFARE® transponders. The major applications to be supported are:

- Access control, Identification: Reading the serial numbers of all cards in the field.
- Data Storage: Performing encrypted read and write operations.
- Ticketing: Performing read, write, increment and decrement operations in an encrypted environment.
- Multi applications: Performing read, write, increment and decrement operations on various sectors of the MIFARE® Standard tags using different encryption keys.

2 Extended Documentation

Please note that all confidential materials are not part of this documentation.

You can obtain an extended documentation containing that material after signing a NDA.

3 Definitions and abbreviations

3.1 Definitions

3.1.1 Anticollision loop

Algorithm processed to identify and handle a dialogue between reader and one or more tags in its antenna field.

3.1.2 Hex notation

A hexadecimal value is noted with a following h, i.e. A1h has the value A1 hexadecimal.

3.1.3 ASCII notation

ASCII characters are listed within apostrophes, i.e. 'x' means a single x.

3.2 Abbreviations

| Abbreviation | Description |
|--------------|---|
| ASCII | American Standard Code for Information Interchange |
| block | For Mifare [®] Standard one block contains 16 bytes |
| EOF | End of frame |
| hex / xxh | value in Hexadecimal notation |
| LSB | Least Significant Bit or Byte |
| MSB | Most Significant Bit or Byte |
| PCON | Protocol Configuration byte of the reader |
| REQA | Request ISO Type A |
| RFU | Reserved for Future Use |
| sector | For Mifare [®] Standard one sector contains 4 blocks |
| SID | Station ID |
| SN | Serial Number of a tag |
| SOF | Start of frame |
| value block | 32 bit data block format. Used in ticketing application |
| <CR> | Carriage return (0Dh) |
| <LF> | Line feed (0Ah) |

Figure 3-1: Abbreviations

4 Supported tags

| | Manufacturer | Serial number | Read bock | Write block | Transfer command | Comments |
|-------------------|--------------|---------------|-----------|-------------|------------------|-------------------------|
| Mifare Standard | Philips | √ | √ | √ | √ | |
| Mifare 4k | Philips | √ | √ | √ | √ | |
| Mifare Ultralight | Philips | √ | √ | √ | √ | |
| Mifare ProX | Philips | √ | √ | √ | √ | |
| DESFire | Philips | √ | - | - | √ | encryption not included |
| Smart MX | Philips | √ | - | - | √ | |
| SLE44R35S | Infineon | √ | √ | √ | √ | |
| SLE55R04/08/16 | Infineon | √ | - | - | √ | encryption not included |
| SLE66R35 | Infineon | √ | √ | √ | √ | |

Figure 4-1: Supported labels

5 The Mifare transponder family

The Mifare transponder family consists of various 13.56 MHz transponders IC, all according to ISO 14443.

5.1 State Diagram

All Mifare cards use following state diagram.

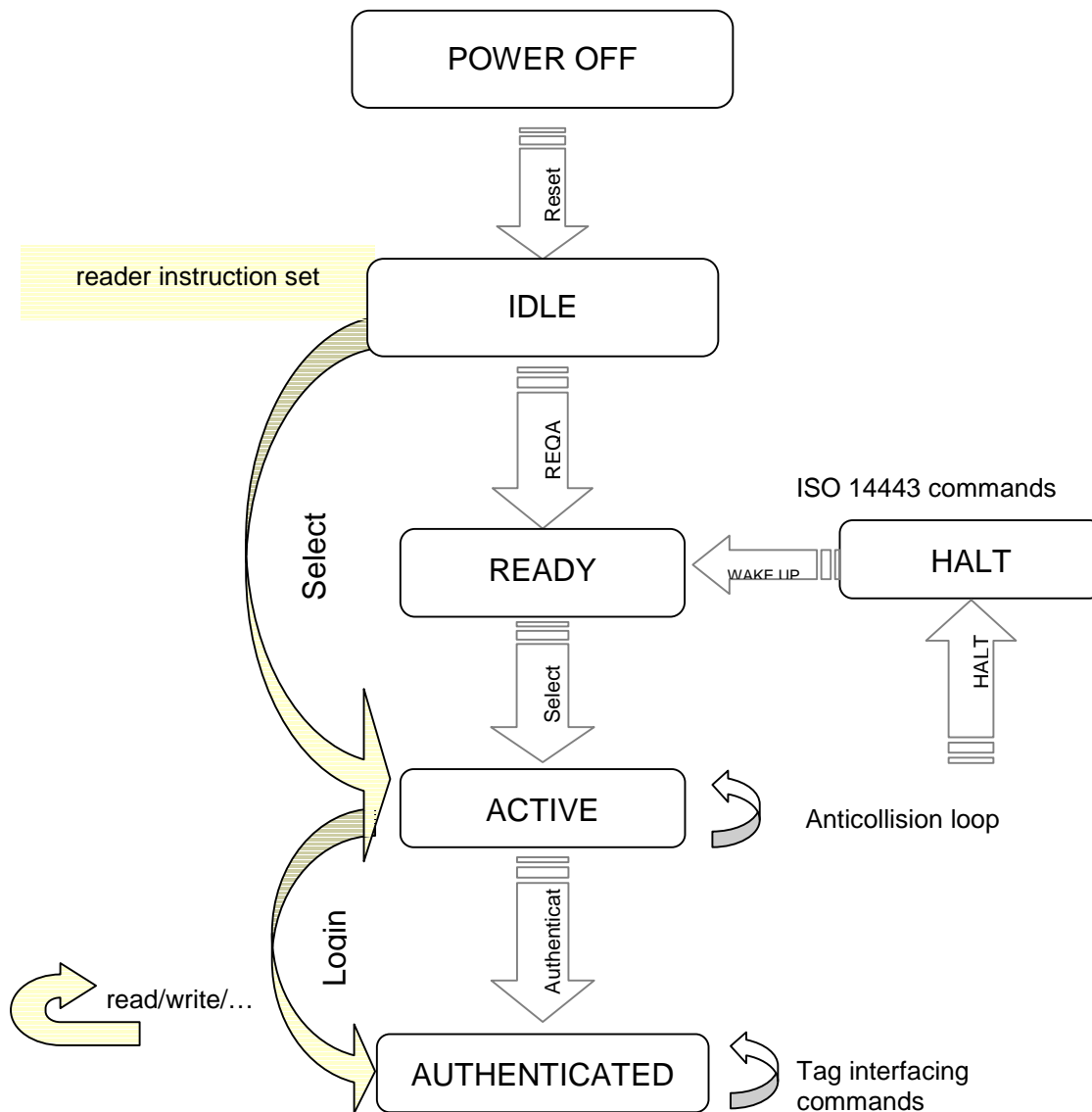


Figure 5-1: State diagram

5.2 Mifare Standard

The Mifare Standard card consists of 16 sectors. A sector includes four blocks 16 bytes each.

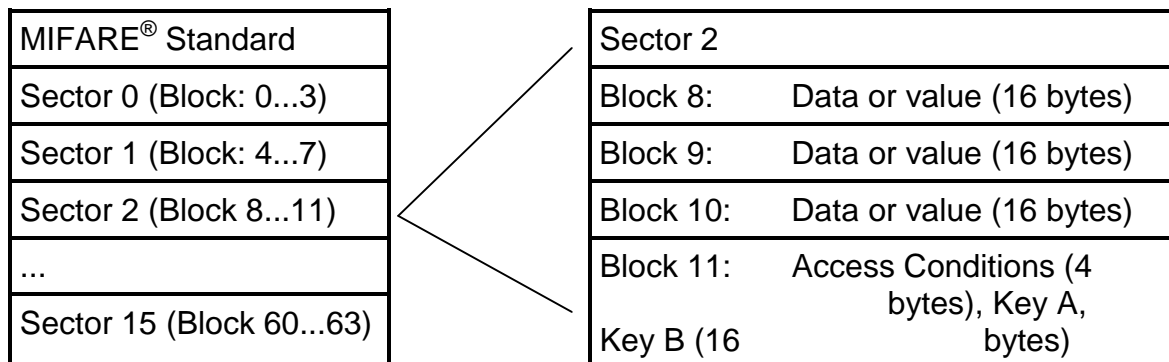


Figure 5-2: MIFARE® Standard: sector diagram

5.2.1 Definitions

| | |
|---------------|--|
| Sector | Memory segment of the MIFARE® Standard Card. Each segment consists of 4 blocks and has individual keys and access conditions. Typically in a multiapplication environment each block is assigned to an application. |
| Key | 6 byte structure assigned to each sector of the card. The reader may store up to 32 keys in its EEPROM or one key in its RAM. |
| Transport Key | Key as stored after delivery from the manufacturer.(f.e. A0A1A2A3A4A5, B0B1B2B3B4B5 or FFFFFFFFFF) |
| Block | 16 byte memory segment of the MIFARE® Standard card. |
| Value | 4 byte (unsigned long) variable stored in a special format in a block or page. Values are 2s complement numbers that can be negative also. Values are used for cashless payment. Values consume a complete block each using redundancy for integrity checking. |
| Card ID | 4 byte unique serial number (single size type). Together with manufacturer code and check byte 16 bytes. Read-only. It is stored in block 0 (sector 0) of each tag. |

5.2.2 Sector 0 / Block 0

Block 0 is read only.

| | | |
|------------------------|---------------------|-----------------------------|
| Serial Number (4 byte) | Check byte (1 byte) | Manufacturer data (11 byte) |
|------------------------|---------------------|-----------------------------|

Figure 5-3: MIFARE Standard: sector 0 / block 0

5.2.3 Block 3, 7, 11, 15, ...

Transport keys are set on delivery:

| | | |
|----------------|-----------------------------|----------------|
| Key A (6 byte) | Access Conditions (4 bytes) | Key B (6 byte) |
|----------------|-----------------------------|----------------|

Figure 5-4: MIFARE[®] Standard: block 3, 7, 11, 15, ...

Key A

A0 A1 A2 A3 A4 A5 (Infineon) or FF FF FF FF FF FF (new Philips cards)

Key B

B0 B1 B2 B3 B4 B5 (Infineon) or FF FF FF FF FF FF (new Philips cards)

Access Conditions

FF 07 80 xx (key A used to read or write, the key A itself is not readable; key B is data only). For further information refer to Frequently asked questions or Mifare card manual.

Remarks

Enabled keys are always read as 00 00 00 00 00 00

Using key B as data area will cause a security gap, due to the fact that it is necessary to rewrite key A and access conditions each write process. It is not recommended to use it as data storage.

5.3 Mifare Ultralight

Mifare Ultralight cards have no encryption included. They only support plain text data transmission.

Mifare Ultralight are only supporting 4 byte per sector, but the command set uses 16 byte per sector. Only the 4 least significant bytes are valid when using Mifare Ultralight.

Ensure that the other bytes matching with tag content when using the write command, otherwise the read back will fail.

5.4 Mifare 4k

Mifare 4k cards have an increased memory. Beginning from sector 32 (20h) a sector has 16 blocks. Due to compatibility reasons the sector indices has changed according following figure. The login sector has to be used to access the according sector on the card.

| Sector | Block | Login sector |
|--------|-----------|--------------|
| 00h | 00h – 03h | 00h |
| 01h | 04h – 07h | 01h |
| ... | ... | ... |
| 1Fh | 7Ch – 7Fh | 1Fh |
| 20h | 80h – 8Fh | 20h |
| 21h | 90h – 9Fh | 24h |
| 22h | A0h – AFh | 28h |
| 23h | B0h – BFh | 2Ch |
| 24h | C0h – CFh | 30h |
| 25h | D0h – DFh | 34h |
| 26h | E0h – EFh | 38h |
| 27h | F0h – FFh | 3Ch |

Figure 5-5: Mifare 4k sector index table

5.5 Mifare ProX

Mifare ProX tags have an operating system onboard. Data organization depends on the operating system installed on the card. These cards can include additional functionalities such as DES or a proprietary encipher algorithm.

Prior to any access of the operating system the card must be selected. Customized commands are issued using the transfer command.

5.6 Mifare DESFire

This tag supports additional security algorithms (DES, Triple-DES, MAC) for security sensitive applications.

DESFire tags are addressed using a specific command set (see DESFire command set).

5.6.1 Memory organization

The memory of a DESFire card can be personalized to own requirements. The card can be seen as data storage like a hard disk in a PC. The memory is divided in up to 28 different applications (directories) and with 16 files each. An application has up to 14 keys. Depending on keys and access conditions a file can be accessed in four different ways. Plain data is never secured. Data is secured using a MAC, single DES or triple DES enciphers.

Following figure describes the memory organization of a DESFire card.

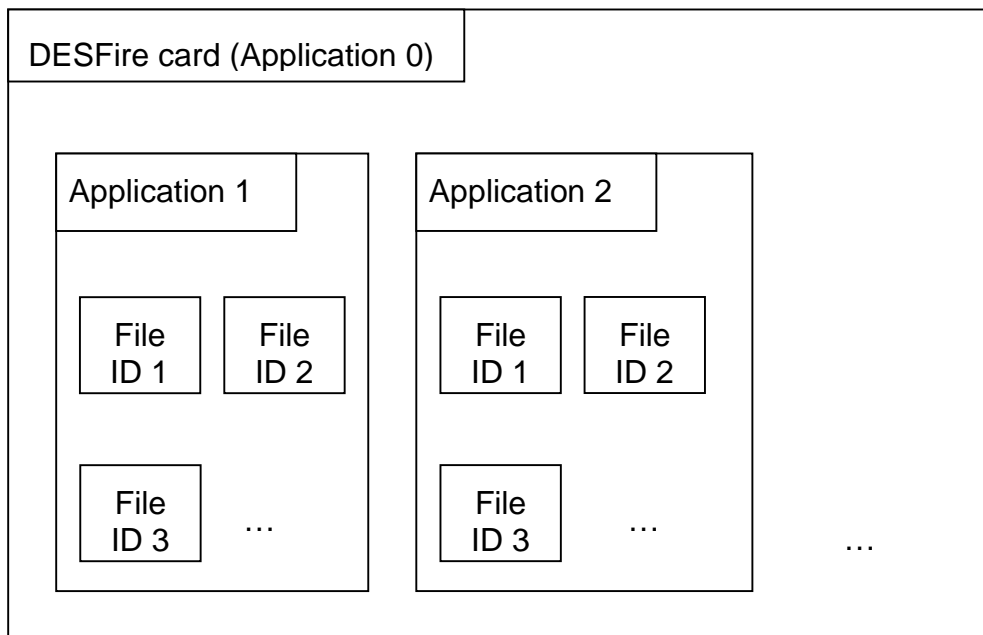


Figure 5-6: DESFire memory organization

5.6.2 State diagram of DESFire

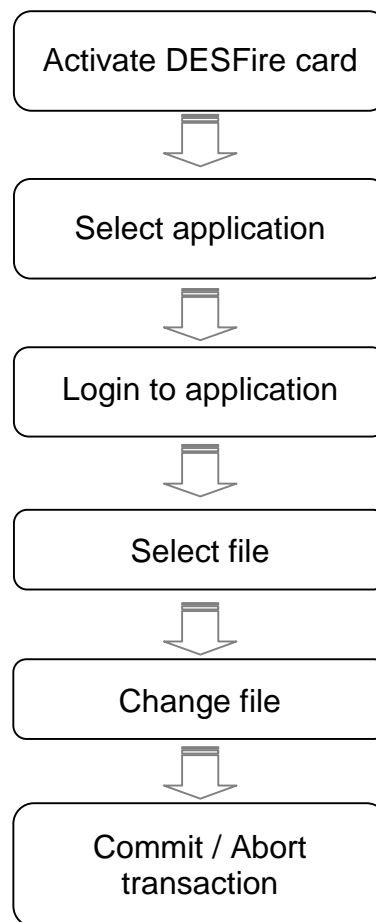


Figure 5-7: DESFire State diagram

5.6.2.1 Activate PICC

Prior to any access to a DESFire card the card must be selected. A DESFire card has 7 bytes UID. After activation the card is powered up and ready to accept a DESFire command. Application 0 is selected automatically.

5.6.2.2 Select application with ID

To jump into another application it has to be selected. An application can be seen as a directory, which contains up to 16 files. The size of the application depends on the stored files.

5.6.2.3 Login to application

Each application can be set to specific access rights. A login to an application allows changing the application organization. Login to a file opens a secured file for access. A file can be accessed in four different ways: plain with no security, secured with MAC, single DES or triple DES.

5.6.2.4 Select file with ID

Prior to any access to a file a file must be selected

5.6.2.5 Change file

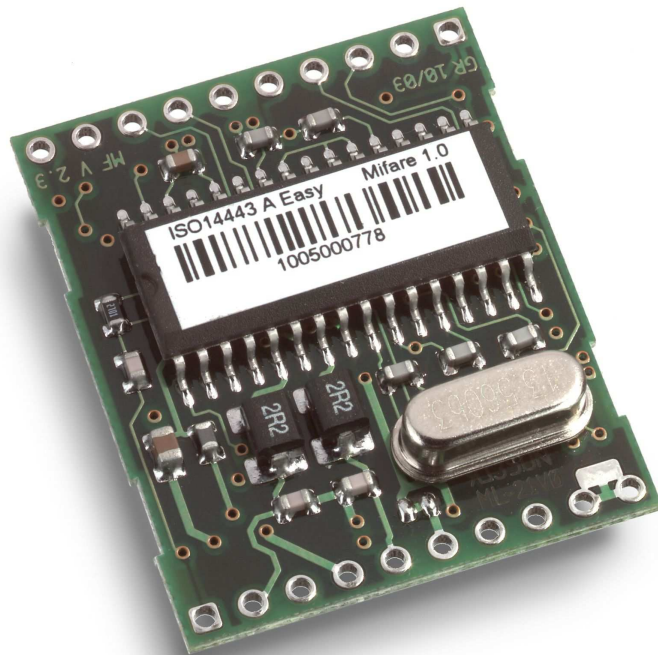
A selected file can be changed according its access rights. If a file is secured a login is needed before.

5.6.2.6 Commit/ Abort transaction

Value files, backup files, linear record files and cyclic record files only adapt its value after the commit transaction command. Several files can be changed within an application at the same time. The abort transactions command annulates all changes within an application. Power loss will cancel all modifications too.

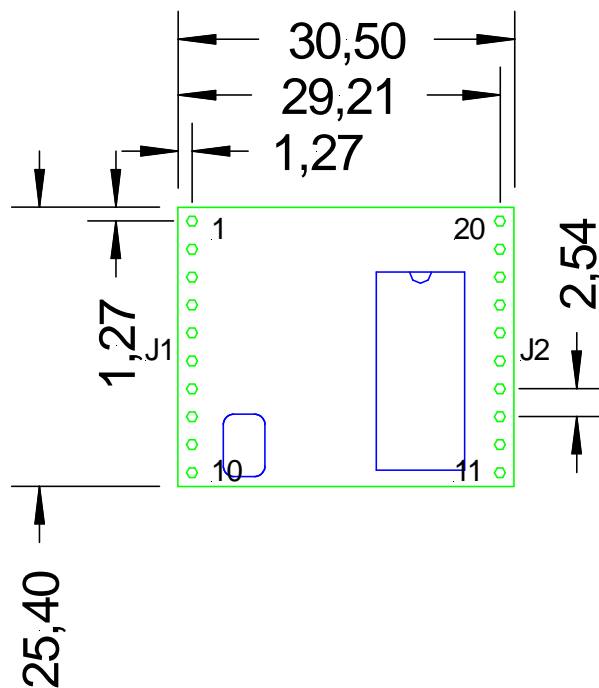
For more details about the application settings and access rights refer to [2].

6 Hardware



6.1 Pin out of OEM Module (Top View)

All dimensions are listed in mm.



6.1.1 Pin out

| PIN | PIN Nr | Description |
|------|--------|-----------------------------------|
| ARX | 1 | Antenna RX |
| ATX1 | 2 | Antenna TX1 |
| VDD | 3 | +5 V DC (4.5VDC to 5.5VDC) |
| GND | 4 | Ground |
| ATX2 | 5 | Antenna TX2 |
| TGND | 6 | Antenna Ground |
| RFU | 7 | Reserved for future use |
| RFU | 8 | Reserved for future use |
| RFU | 9 | Reserved for future use |
| RFU | 10 | Reserved for future use |
| RX | 11 | RX from PC |
| TX | 12 | TX to PC |
| DIR | 13 | Direction of RS 485 |
| USER | 14 | User Port |
| RES | 15 | Hardware reset if logic low |
| EN | 16 | Enable reader, open or logic high |
| LEDr | 17 | LED red |
| LEDg | 18 | LED green (reading LED) |
| GND | 19 | Ground |
| VDD | 20 | +5 V DC (4.5VDC to 5.5VDC) |

Figure 6-1: Pin out

6.1.2 Electrical characteristics of PINs

| PIN | PIN Nr | Voltage | Current (max) | Description |
|-----------------------------|------------------|-----------------------------------|----------------------|---|
| RX TX | 11 12 | USART ¹ | - | To RS232, RS485 or RS422 device driver |
| USER | 14 | TTL ² | 25 mA | User sets logic state |
| RES | 15 | TTL | - | Hardware reset if logic low |
| EN | 16 | TTL | - | Low will disable the reader device |
| LEDr | 17 | TTL | 25 mA | Logic Low, used for LED |
| LEDg | 18 | TTL | 25 mA | With 330 Ω (internal serial) resistor |
| ARX ATX1 ATX2 TGND | 1 2 5 6 | (depends on antenna tuning) | 200 mA _{PP} | Antenna input Antenna output Antenna output (GND) RF-Output: approx 150mW at 50 Ohms |
| RFU | 7,8,9,10 | - | - | Not connected |
| GND | 4,19 | GND | - | Supply Ground |
| VDD | 3,20 | +5 V DC (+4.5V DC to +5.5 VDC) | 150 mA | Supply Voltage |
| DIR | 13 | TTL | 25 mA | RS485 direction |

Figure 6-2: Electrical characteristics of pins

¹ Universal Synchronous Asynchronous Receiver Transmitter

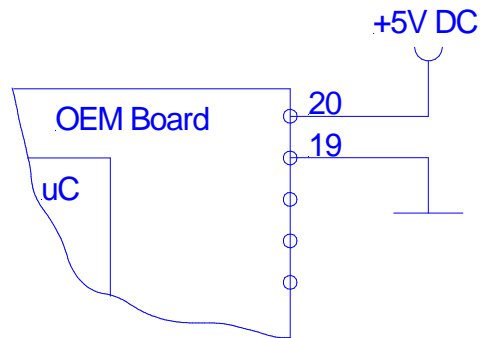
² TTL buffer output / input

6.1.3 External Connections

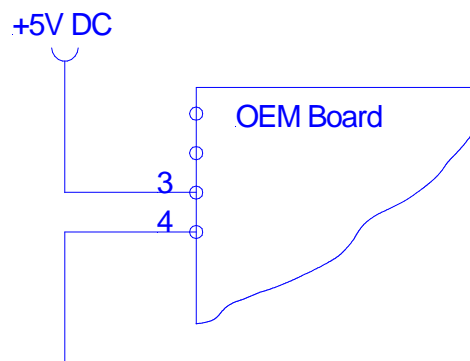
6.1.3.1 Power Supply

If the supply voltage and any noise modulated on the supply voltage remains within the specified limits, no further filtering is required. In some cases it is recommended to use additional filtering for the power supply line. Insufficient power line filtering could cause unexpected or irregular performance drops.

Option 1



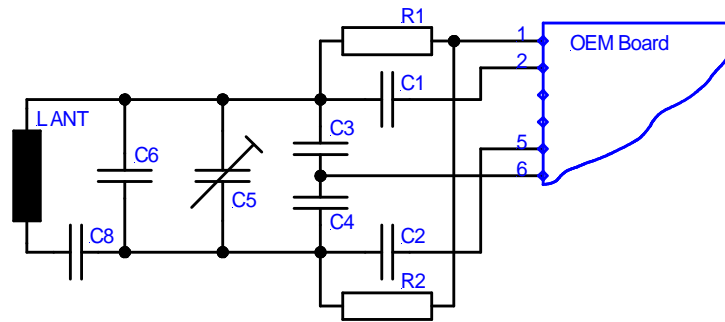
Option 2



The board can be connected as shown above. Both alternatives are possible and can be used as they fit best into the layout of the carrier board. The two VCC PINs and the two GND PINs are connected internally.

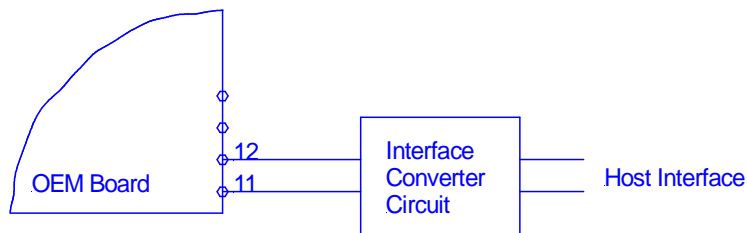
6.1.3.2 Antenna

The antenna tuning and matching network is shown below. Please refer also to the antenna design guide and to the specific application notes for the reader IC.



6.1.3.3 Serial Interface

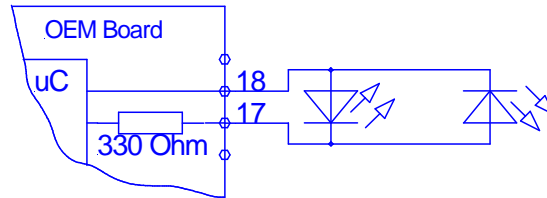
The OEM Board can be connected directly with a micro controller. Alternatively the OEM Board also can be connected to most serial interface types by using the right interface converter circuit. In order to optimize the communication quality the specific application note of the interface converter circuit needs to be taken into consideration.



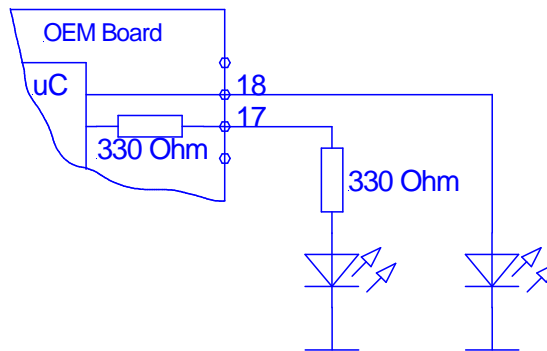
6.1.3.4 Function Control LEDs

Two external LEDs can be connected to the OEM Board. There are two alternatives possible.

Option 1



Option 2



In both cases the LED supply voltage levels are TTL levels.

7 Software

As default data is transmitted at 9600,n, 8,1, no handshaking. Two protocol modes are supported. The protocol mode is configured in the reader EEPROM. As factory default, the ASCII protocol is used.

7.1 ASCII Protocol

This protocol is designed for easy handling. The commands are issued using a terminal program. Data is transmitted as ASCII hexadecimal that can be displayed on any terminal program (i.e. HyperTerminal).

| Command | Data |
|----------------|----------------|
| Various length | Various length |

Figure 7-1: ASCII protocol frame

7.2 Binary Protocol

This protocol is designed for industrial applications with synchronization and frame checking. Also an addressing byte for party line (master slave, multi drop) is included.

The protocol usually requires a device driver. Data is transmitted binary. The reader uses a binary watchdog timer internally to ensure correct framing.

| STX | Station ID | Length | Data | BCC | ETX |
|--------|------------|--------|----------------|--------|--------|
| 1 byte | 1 byte | 1 byte | Various length | 1 byte | 1 byte |

Figure 7-2: Binary Frame

7.2.1 STX

Start of transmission (02h)

7.2.2 Station ID

Unique ID of the station

00h: reserved for the bus master. Readers send response to this device ID.

FFh: Broadcast message. All devices will execute the command and send its response.

7.2.3 Length

Data Length Indicator.

Denotes the length of the Data block.

7.2.4 Data

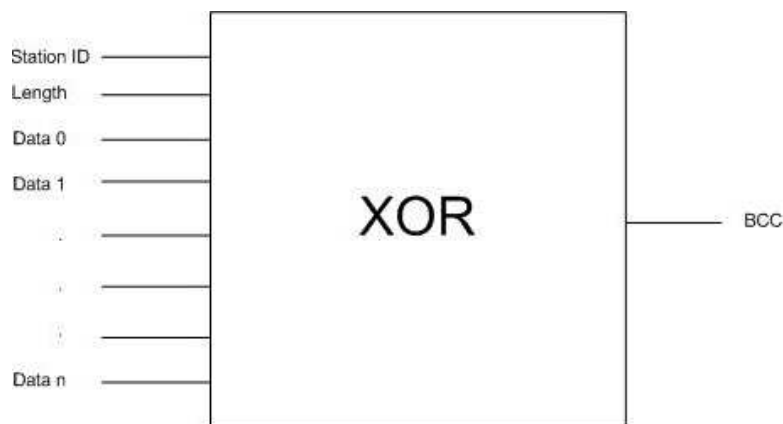
This part contains the command and data. The command values are the same as in ASCII protocol mode ('x', 's', ...) whereas data is transmitted binary.

The length of the command block depends on the instruction.

7.2.5 Block Check Character (BCC)

The BCC is used to detect transmission errors. The BCC is calculated XOR-ing each byte of the transmission frame excluding the STX/BCC and ETX character.

$$BCC = (StatID) XOR (Length) XOR (Data_0) XOR \dots XOR (Data_N)$$



7.2.6 ETX

End of transmission. (03h)

7.2.7 Remarks

If the reader device receives an invalid instruction frame (i.e. BCC wrong) or the requested station ID does not match the internal ID of the reader, the command is not executed. The reader waits for the next valid frame.

The automatic binary timeout (see protocol configuration register) is used to detect incomplete binary frames.

The reader module answers in the same telegram format, with the ID-field set to 0. The Data block of the answers in binary protocol mode does match the ASCII mode answers, with the only difference that data values are transmitted binary instead of ASCII Hex.

7.2.8 Examples

| | | | | | |
|-----|------------|--------|-----|-----|-----|
| 02h | 64h | 01h | 78h | 1Dh | 03h |
| STX | Station ID | Length | 'x' | BCC | ETX |

This instruction frame will reset the reader module with the station ID 64h.

7.3 Register Set

The reader has several system flags to customize its behaviour. The flags are stored non-volatile in its EEPROM. The reader accepts changes of the setting only during the start up phase. It is recommended to clear all RFU bits to guarantee further compatibility.

The reader is able to store up to 32 authentication keys to log in Standard Mifare cards internally. All keys are read only and cannot be accessed via the interface lines.

7.3.1 EEPROM memory organization

| Register | Description |
|-------------|-----------------------------|
| 00h ... 03h | Unique device ID; read only |
| 04h | Station ID |
| 05h | Protocol configuration |
| 06h | Baud rate |
| 07h | Reset Off Time |
| 08h | Reset Recovery time |
| 09h | Internal use / Do no change |
| 0Ah ... 0Fh | RFU |
| 10h ... 13h | User data |

Figure 7-3: EEPROM memory

7.3.2 Unique device ID (00h – 03h)

The unique device ID identifies a reader module. It is factory programmed and cannot be changed.

7.3.3 StationID (04h)

The station ID is used in binary mode to address a device in party line set up. The station ID has the range of 01h to FEh and can be set freely. The value 00h is reserved for the bus master. All readers send their response to this device.

The broadcast message (FFh) forces all readers to response to the command.

Default value is 01h.

7.3.4 Protocol configuration (05h)

The protocol configuration register (PCON) specifies general behavior of the reader device.

Default value is 01h.

| Protocol configuration register | | | | | | | |
|---------------------------------|-------|-------|----------|----------------|-----------|--------|------------|
| Bit 7 | Bit 6 | Bit 5 | Bit 4 | Bit 3 | Bit 2 | Bit 1 | Bit 0 |
| RFU | RFU | RFU | Multitag | Binary Timeout | Extend ID | Binary | Auto Start |

Figure 7-4: Protocol configuration register

7.3.4.1 Autostart (default 1)

If set the reader device will start up in continuous read mode automatically.

7.3.4.2 Protocol (default 0)

If set the reader uses binary protocol mode. Refer to binary protocol for further information on the binary protocol format.

Default setting = ASCII protocol (0).

7.3.4.3 Extended ID (default 0)

This setting does only affect the commands continuous reading ('c'), select ('s') and multi tag select ('m').

If set a the unique serial number of the transponder is extended by a single prefix byte.

The values for the prefix byte are:

| prefix | description |
|--------|--------------------------------|
| 01h | MIFARE® Light Transponder |
| 02h | MIFARE® Standard Transponder |
| 03h | MIFARE® 4k Transponder |
| 04h | MIFARE® ProX Transponder |
| 05h | MIFARE® UltraLight Transponder |
| 06h | MIFARE® DESFire Transponder |
| FFh | Unknown Transponder |

7.3.4.4 Binary Timeout (default 0)

This flag is only interpreted if the reader operates in binary mode.

If the serial bus stays idle for more than 96 ms (no data is transmitted), the reader will clear its command buffer and enter "Command Read" mode.

The "Command Read" mode means that the reader is waiting for valid data frames (beginning with the STX code).

7.3.4.5 Multitag (default 0)

The Multitag flag will enable multi tag recognition in continuous read mode. All tags are detected and displayed. Due to the more complex search algorithm the continuous read command decreases its detection speed.

7.3.5 BAUD, Baud rate control register (06h)

The baud rate register defines the communication speed of the reader device.
 Default value is 00h.

| Baud rate register | | | | | | | |
|--------------------|-------|-------|-------|-------|-------|-------|-------|
| Bit 7 | Bit 6 | Bit 5 | Bit 4 | Bit 3 | Bit 2 | Bit 1 | Bit 0 |
| RFU | RFU | RFU | RFU | RFU | RFU | BS1 | BS0 |

Figure 7-5: Baud rate register

This register defines the baud rate of the device.

| BS1 | BS0 | Baud rate |
|-----|-----|---------------------|
| 0 | 0 | 9600 baud (default) |
| 0 | 1 | 19200 baud |
| 1 | 0 | 38400 baud |
| 1 | 1 | 57600 baud |

Figure 7-6: Baud rate settings

Following figure describes the communication settings

| Description |
|-----------------|
| 8 data bits |
| No parity bit |
| 1 stop bit |
| No flow control |

Figure 7-7: Communication settings

7.3.6 Reset Off Time (07h)

The Reset Off Time register represents the field off time in ms.
 This register is used for the select, continuous read and multi tag commands.
 Default value is 10h.

7.3.7 Reset Recovery Time (08h)

The Reset Recovery Time register represents the recovery time in ms after the field is turned on.

This register is used for the select, continuous read and multi tag commands.

Default value is 10h.

7.3.8 User data (10h - 13h)

These registers are for free use.

7.4 Instruction Set

Following table describes all commands of the reader device. Each command returns an answer to the host. Exceptions are mentioned explicitly. The green LED is acknowledging a successfully executed command. The red LED indicates an error.

7.4.1 Overview

| Common commands | |
|-----------------|--------------------------------|
| '+' | Increment value block (credit) |
| '-' | Decrement value block (debit) |
| '=' | Copy value block (backup) |
| 'c' | Continuous read |
| 'g' | Get Station ID |
| 'l' | Login (authenticate tag) |
| 'm' | MultiTag select / tag list |
| 'poff' / 'pon' | Antenna power off/on |
| 'pr' / 'pw' | Read / write user port |
| 'r' / 'rb' | Read block |
| 're' | Read EEPROM register |
| 'rv' | Read value block |
| 's' | Select |
| 'v' | Get version |
| 'w' / 'wb' | Write block |
| 'we' | Write EEPROM register |
| 'wm' | Write master key |
| 'wv' | Write value block |
| 'x' | Reset |

Figure 7-8: Command overview

7.4.2 Error Codes

Following figure shows an overview of all error messages of the reader device.

| Error Code | Description |
|-------------------|---|
| '?' | Unknown command |
| 'E' | Invalid key format |
| 'F' | General failure |
| 'I' | Invalid value format, specified block does not match the value format |
| 'N' | No tag in the field |
| 'O' | Operation mode failure |
| 'U' | Read after write failure |
| 'X' | Authentication failed |

Figure 7-9: Error codes

7.4.3 Common commands

7.4.3.1 Increment value block (credit)

Increments a value block with a defined value. A read after write is done automatically to verify data integrity. The command fails if the source block is not in value block format. A previous log in is needed to access a block.

Command

| Command | Data |
|---------|-----------------------------------|
| '+' | Block (1 byte) Value (4 bytes) |

Answer

| Answer | Description |
|--------|-----------------------------------|
| Data | Value (4 bytes) |
| 'I' | Error: value block failure |
| 'F' | Error: increment failure |
| 'N' | Error: No tag in field |
| 'X' | Error: Unable to read after write |

Example

| Command | Description |
|-------------|---------------------------|
| +0400000001 | adds 1 to value block 4 |
| +0500000100 | adds 256 to value block 5 |

7.4.3.1.1 No value block 'I'

Specified block does not match the value format. The value block is corrupted. A backup block can be used to restore the correct value.

7.4.3.1.2 Increment failure 'F'

General failure during increment procedure or unable to read after write.

7.4.3.1.3 No tag error 'N'

The reader does not detect a response of the tag. There is either no tag present or the tag does not respond the request.

7.4.3.1.4 Unable to read after write 'X'

The tag was removed from field immediately after increment instruction.

Data was decremented but the tag did not respond to the read after increment instruction, which is done automatically by the reader module.

7.4.3.2 Decrement value block (debit)

Decrements a value block with a defined value. A read after write is done automatically to verify data integrity. The command fails if the source block is not in value block format. A previous log in is needed to access a block.

Command

| Command | Data |
|---------|-----------------------------------|
| 'L' | Block (1 byte) Value (4 bytes) |

Answer

| Answer | Description |
|--------|-----------------------------------|
| Data | Value (4 bytes) |
| 'I' | Error: value block failure |
| 'F' | Error: increment failure |
| 'N' | Error: No tag in field |
| 'X' | Error: Unable to read after write |

Example

| Command | Description |
|-------------|-------------------------------|
| -0400000001 | subtract 1 to value block 4 |
| -0500000100 | subtract 256 to value block 5 |

7.4.3.2.1 No value block 'I'

Specified block does not match the value format. The value block is corrupted. A backup block can be used to restore the correct value.

7.4.3.2.2 Decrement failure 'F'

General failure during decrement procedure or unable to read after write.

7.4.3.2.3 No tag error 'N'

The reader does not detect a response of the tag. There is either no tag present or the tag does not respond the request.

7.4.3.2.4 Unable to read after write 'X'

The tag was removed from field immediately after decrement instruction.

Data was decremented but the tag did not respond to the read after decrement instruction, which is done automatically by the reader module.

7.4.3.3 Copy value block (backup)

Copies a value block to another block of the same sector. A read after write is done automatically to ensure data integrity. Used for backup and error recovery. A previous log in is needed to access a block.

Command

| Command | Data |
|---------|--|
| '=' | Source block (1 byte) Target block (1 byte) |

Answer

| Answer | Description |
|--------|--------------------------------------|
| Data | New value of target block (4 bytes). |
| 'I' | Error: value block failure |
| 'F' | Error: increment failure |
| 'N' | Error: No tag in field |
| 'X' | Error: Unable to read after write |

Example

| Command | Description |
|---------|-------------------------------|
| =0405 | copy value block 4 to block 5 |
| =0506 | copy value block 5 to block 6 |

7.4.3.3.1 Target block

The target block needs not to be a valid value block. If source block is not in value format the command fails.

7.4.3.3.2 No value block 'I'

Source value block does not match the value format. The value block is corrupted. A backup block can be used to restore the correct value.

7.4.3.3.3 Copy failure 'F'

General failure during copy procedure or unable to read after write.

7.4.3.3.4 No tag error 'N'

The reader does not detect a response of the tag. There is either no tag present or the tag does not respond the request.

7.4.3.3.5 Unable to read after write 'X'

The tag was removed from field immediately after copy instruction.

Data was decremented but the tag did not respond to the read after copy instruction, which is done automatically by the reader module.

7.4.3.4 Continuous Read

The reader device reads and displays serial numbers continuously while one or more tags remain in the field. This command stops if any character is sent to the reader module.

The reader supports different tag types at the same time. To increase the reading performance switch to a single tag mode. If more than one tag of the same tag type should be detected at the same time the Multitag flag must be activated. The response data length depends on the tag type.

Command

| Command | Data |
|---------|------|
| 'c' | none |

Answer

| Answer | Description |
|--------|---|
| data | serial number (n bytes) |
| 'N' | Error: No Tag in the field (only binary protocol) |

7.4.3.4.1 Multitag continuous read mode

If the Multitag flag is set in the Protocol Configuration (PCON) register the reader reads multiple tags continuously.

7.4.3.4.2 Auto start

The continuous read mode is started automatically. The auto start flag must be set in the PCON register.

7.4.3.4.3 Binary mode

This command is not fully supported in binary protocol mode.

Continuous Read in binary mode does not startup automatically at boot time, even if the corresponding EEPROM flag is set.

Within the single shot timeout only one response is sent.

7.4.3.4.4 Simple access control applications

Serial numbers are always sent plain. Data encryption is activated after a successful log in.

For simple access control applications it is recommended to use read-only blocks for the identification of the tag.

Reading any block (even the manufacturer block) of the transponder will increase your security.

7.4.3.4.5 Extended ID

If Extended ID is activated a prefix byte extends the serial number. For more information refer to Protocol Configuration register.

7.4.3.5 Get Station ID

This command returns the station ID of the reader device. The answer is time slotted to enable that all devices in party line mode are detected.

The station ID has only effect in binary mode.

Command

| Command | Data |
|---------|------|
| 'g' | None |

Answer

| Answer | Description |
|--------|--|
| Data | Station ID of the reader device (1 byte) |

7.4.3.5.1 Time slotted answer

In party line mode more than one reader can be used simultaneously. The time slotted answer allows separating all connected devices. The station ID is used to determine the correct time slot.

The reader supports up to 254 unique time slots. Following formula calculates the needed time of one time slot. Only one baud rate on the same party line is supported.

$$T_0[s] = \frac{10}{\text{Baudrate}} * 6$$

Figure 7-10: Time slot formula

Following figure shows the timing diagram of time slotted answers.

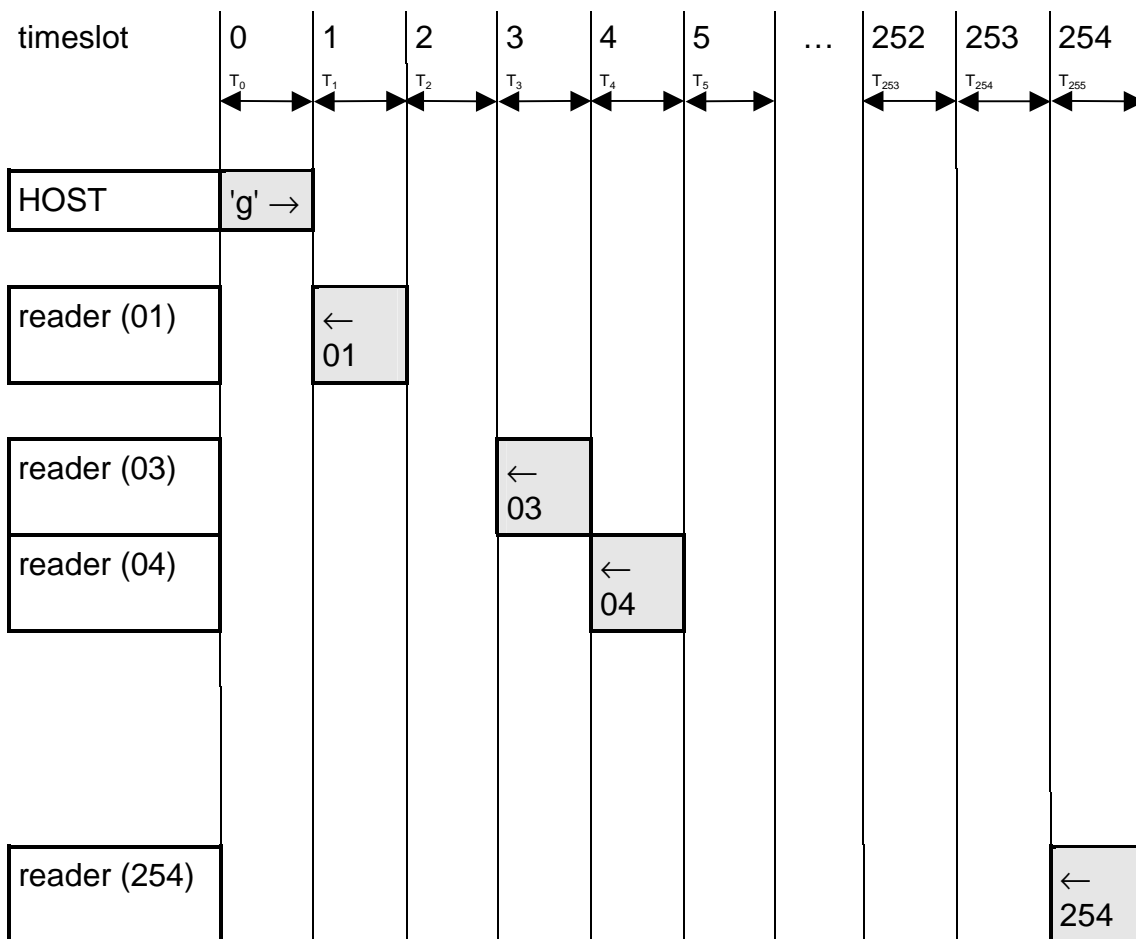


Figure 7-11: Timing diagram of time slotted answers

7.4.3.6 Login (authenticate tag)

Performs an authentication to access one sector of a Mifare® card. Only one sector can be accessed at the same time.

Optionally to transmit the key data to the reader stored keys, in the reader EEPROM, can be used.

To store keys in the EEPROM the write master key command is used. It is possible to store up to 32 master keys in the reader EEPROM. The login requires a successful select.

Command

| Command | Data |
|---------|--|
| 'I' | Sector (1 byte) , valid range 00h - 3Fh Key type (1 byte) AAh authenticate with key type A FFh authenticate with key type A, transport key FFFFFFFFFFFFh BBh authenticate with key type B 10h ... 2Fh authenticate with key type A using stored key (00h ... 1Fh) 30h ... 4Fh authenticate with key type B using stored key (00h ... 1Fh) Key (6 bytes) / <CR> (1 byte), optional By transmitting <CR> instead of the keydata authentication is done with manufacturers transport keys (A0A1A2A3A4A5h, B0B1B2B3B4B5h, FFFFFFFFFFFFFh). |

Answer

| Answer | Description |
|--------|---------------------------|
| data | Login status (1 byte) |
| 'L' | Login success |
| 'E' | Error: Invalid key format |
| 'F' | Error: General failure |
| 'N' | Error: No tag |

Example

| Command | Description |
|----------------------|---|
| I02AA<CR> | Authenticate for sector 2, using the transport key A (A0A1A2A3A4A5h, key type A) |
| I3FBB<CR> | Authenticate for sector 63, using the transport key 2 (B0B1B2B3B4B5h, key type B) |
| I04FF<CR> | Authenticate for sector 4, using the transport key 3 (FFFFFFFFFFFFh, key type A) |
| I0FAAFFFFFFFFFFFFFFF | Authenticate for sector 15, using key FFFFFFFFFFFFFFFFh, key type A |
| I0E14 | Authenticate for sector 14, using EEPROM key 4, key type A |
| I0530 | Authenticate for sector 5, using EEPROM key 0, key type B |
| I0732 | Authenticate for sector 7, using EEPROM key 2, key type B |
| I0110 | Authenticate for sector 1, using EEPROM key 0, key type A |
| I0ABBFF12FFFFFFF35 | Authenticate for sector 10, using key FF12FFFFFFF35h, key type B |

7.4.3.6.1 No tag error 'N'

The reader does not detect a response of the tag. There is either no tag present or the tag does not respond the request.

7.4.3.6.2 <CR>

Three transport keys are implemented to access cards fast.

Transmitting <CR> instead of the key the reader module uses transport keys for the login procedure.

| Command | Description |
|-----------|---|
| LxxAA<CR> | Authenticate for sector xx, using the transport key A (A0A1A2A3A4A5h, key type A) |
| LxxBB<CR> | Authenticate for sector xx, using the transport key 2 (B0B1B2B3B4B5h, key type B) |
| LxxFF<CR> | Authenticate for sector xx, using the transport key 3 (FFFFFFFFFFFFh, key type A) |

7.4.3.6.3 Login with keydata from EEPROM

Each key stored in the reader EEPROM can be used as keytype A or keytype B. To use a key as type A the value 10h must be added to the key index. 30h must be added to use a key as type B.

7.4.3.6.4 Usage of key A, key B

Mifare® cards support two different crypto keys for each sector. Each key is 32 bit long and is stored in the sector trailer (last block of the sector) on a card. It is possible to set different access rights for each key.

7.4.3.7 Multi Tag Selection / List

This command detects several tags at the same time. It replaces the fast select command ('s') in multiple tag surroundings. The Multi Tag list command lists all tags with its serial numbers. Use the Multi Tag Select command to select a single tag. Each tag has to be selected separately.

Command

| Command | Data |
|---------|--|
| 'm' | Serial number (n bytes) <CR> (1 byte) |

Answer

| Answer | Description |
|--------|----------------------------|
| Data | serial number |
| 'N' | Error: No Tag in the field |

Example

| Command | Description |
|---------------------|---|
| m<CR> | 04E9E700000000 → first card 34030F07 → second card 02 → number of detected tags |
| m04E9E700000000<CR> | Select card with its serial number |

7.4.3.7.1 Multi tag list

Sending a <CR> as first parameter the reader returns a list of all present tags in the antenna field. In the end the amount of detected tags are returned.

7.4.3.7.2 Reading distance

Each card needs a specific amount of power. The reader always provides the same power. Therefore the reading distance will decrease if more tags are present. Basically, the reading distance depends on the used tag, antenna and its tuning.

7.4.3.7.3 Multi tag select

Using the serial number with <CR> as parameter the according tag will be selected. High-level interactions can be performed addressing only this card. All other tags remain silent.

7.4.3.7.4 Multi tag reset

The antenna field reset can be deactivated with Protocol configuration 2 register.

By suppressing the antenna field reset it is possible to detect only new tags in the antenna field.

7.4.3.7.5 Maximum number of tags

The maximum number of tags in the antenna field is limited to the physical characteristics of the antenna.

The implementation detects up to 16 tags.

7.4.3.8 Antenna power on/off

This command controls the antenna power. It can be used to decrease the power consumption of the reader.

Command

| Command | Data |
|---------|---------------------------------|
| 'pon' | Switch on reader |
| 'poff' | Reader enters the stand by mode |

Answer

| Answer | Description |
|--------|----------------------|
| 'P' | Positive acknowledge |

Example

| Command | Description |
|---------|-----------------------------|
| poff | Reader enters stand by mode |

7.4.3.8.1 Power off

The reader enters the stand by mode. Power consumption is decreased. All tags in the antenna field are powered off and reset. The stand by mode is only entered manually.

To switch off the whole unit pin 16 (Enable) has to be set to logic low.

7.4.3.8.2 Power on

The reader leaves the stand by mode and is ready for the next command. Sending a tag command (i.e. select, continuous read) the reader is powered up.

7.4.3.8.3 Reset Timing

The power up timing depends on environmental conditions such as voltage ramp up.

7.4.3.9 Read/Write user port

This command sets or reads the state of the user port (pin 14) of the OEM reader device. The port is set either as output or as input.

Command

| Command | Data |
|---------|-----------------------------|
| 'pr' | none |
| 'pw' | State of user port (1 Byte) |

Answer

| Answer | Description |
|--------|-----------------------------|
| Data | State of user port (1 Byte) |

Example

| Command | Description |
|---------|------------------------------|
| pr | Reads user port |
| pw01 | Sets user port state to high |

7.4.3.9.1 Read port

The port read command returns the current state of the USER port.

| Port state | Description |
|------------|-------------------|
| 00 | USER port is low |
| 01 | USER port is high |

Figure 7-12: Read USER port return values

7.4.3.9.2 Write port

If user port is used as an output a 1k Ω resistor has to be integrated into the wire. Otherwise the reader device can be damaged.

| Port state | Description |
|------------|------------------------|
| 00 | Sets USER port to low |
| 01 | Sets USER port to high |

Figure 7-13: Write User port settings

7.4.3.10 Read block

This command reads a data block on a card. Size of returned data depends on the used tag. The block address range depends on the present tag.

Command

| Command | Data |
|---------|---|
| 'r' | Block address (1 byte), valid range 00h – 40h |
| 'rb' | Block address (1 byte) |

Answer

| Answer | Description |
|--------|----------------------------------|
| Data | block data (depends on tag type) |
| 'F' | Error: read failure |
| 'N' | Error: No tag in field |
| 'O' | Error: Operation mode failure |

Example

| Command | Description |
|---------|-----------------|
| rb05 | Reads block 05. |

7.4.3.10.1 Read failure 'F'

This error is returned if the reader receives either bad data or the block address exceeds the block address range of the sector.

7.4.3.10.2 No tag in field 'N'

The tag does not respond. There is either no tag present or not addressed.

7.4.3.10.3 Operation mode failure 'O'

The block address of the 'r' command is higher than 40h.

The block address of the 'r' command conflicts with other commands, therefore the block address has to be limited to 40h.

Use the 'rb' command instead.

7.4.3.11 Read reader EEPROM

This command reads the internal reader EEPROM. It contains all startup parameters and the device ID. Changes of the startup settings will only be taken into effect after a reset of the device.

Command

| Command | Data |
|---------|-------------------------------------|
| 're' | EEPROM address (1 byte) 00h ... 13h |

Answer

| Answer | Description |
|--------|----------------------|
| Data | EEPROM data (1 byte) |

Example

| Command | Description |
|---------|--|
| rp05 | Reads protocol configuration register. |

7.4.3.12 Read value block

Reads a value block. The command checks if data is in value block format. The read value block command needs a successful login.

Command

| Command | Data |
|---------|----------------------|
| 'rv' | Value block (1 byte) |

Answer

| Answer | Description |
|--------|----------------------------|
| Data | Read value (4 bytes) |
| 'F' | Error: General failure |
| 'I' | Error: value block failure |
| 'N' | Error: No tag in field |

Example

| Command | Description |
|---------|-------------------------|
| rv04 | Reads value of block 4. |

7.4.3.12.1 No value block 'I'

The value read back after the write value instruction is a not a value block. Data was written corruptly.

7.4.3.12.2 No tag error 'N'

This means that the tag does not respond, because there is either no tag present or none of the tags in the field is authenticated ('I' instruction).

7.4.3.12.3 General failure 'F'

Additional to a data read error caused by bad transmission conditions, this error appears if a sector is addressed which is not located in the authenticated sector.

7.4.3.13 Select

This command selects a single card in the antenna field. It can only be used in single tag mode. In the case of success the command returns the UID of the selected card. The reader detects the length of the card automatically.

Command

| Command | Data |
|---------|------|
| 's' | None |

Answer

| Answer | Description |
|--------|----------------------------|
| Data | serial number |
| 'N' | Error: No Tag in the field |

Example

| Command | Description |
|---------|---|
| s | 1234567890ABCD Select the card with its UID 1234567890SABCD. |

7.4.3.13.1 Select a single tag

No previous continuous read is required. The command executes an automatic field reset.

7.4.3.13.2 Extended ID

For more information of the Extended ID refer to Protocol configuration register.

7.4.3.13.3 Multiple tags

This command is designed for fast access of a single tag in the field. If multiple cards are used the 'm' instruction has to be used instead.

7.4.3.14 Get Version

This command returns the current version of the reader module.

Command

| Command | Data |
|---------|------|
| 'v' | None |

Answer

| Answer | Description |
|--|-------------|
| 'Mifare 1.0' + <CR> + <LF> | ASCII Mode |
| 02 00 0A 4D 69 66 61 72 65 20 31 2E 30 31 03 | Binary Mode |

Example

| Command | Description |
|---------|--|
| v | 'Mifare 1.0' Version of the reader module |

7.4.3.15 Write block

This command writes data to a block. A read after write is done automatically to ensure correct writing.

Command

| Command | Data |
|---------|---|
| 'w' | Block address (1 byte), valid range 00h – 40h Data (n bytes) |
| 'wb' | Block address (1 byte) Data (n bytes) |

Answer

| Answer | Description |
|--------|----------------------------------|
| Data | Block data (depends on tag type) |
| 'F' | Error: Write failure |
| 'N' | Error: No tag in field |
| 'O' | Error: Operation mode failure |

Example

| Command | Description |
|--------------|-----------------------------------|
| wb0511223344 | Writes data 11223344 on block 05. |

7.4.3.15.1 Write failure 'F'

This error is displayed if bad transmission conditions are given. If the block address exceeds the physical number of blocks of a tag this error is thrown.

7.4.3.15.2 No tag error 'N'

This error is returned if no tag is present or the card does not respond.

7.4.3.15.3 Operation mode failure 'O'

The block address of the 'w' command is higher than 40h.

The block address of the 'w' command conflicts with other commands, therefore the block address has to be limited to 40h.

Use the 'wb' command instead.

7.4.3.16 Write EEPROM

Writes to the internal reader EEPROM. It contains all startup parameters and the device ID. Changes of the startup settings will only be taken into effect after a reset of the device.

Command

| Command | Data |
|---------|--|
| 'we' | Address (1 byte), valid range 04h - 13h Data (1 byte) |

Answer

| Answer | Description |
|--------|---------------------------------|
| Data | EEPROM data (1 byte) |
| 'F' | Error: Read after write failure |

Example

| Command | Description |
|---------|---|
| we0401 | Set EEPROM address 04 (Station ID) to 01h |

7.4.3.17 Write master key

This command stores a MIFARE Standard key into the master key memory of the reader. The reader can store up to 32 keys.

Command

| Command | Data |
|---------|---|
| 'wm' | Key number (1 byte) 00h ... 1Fh Key (6 bytes) |

Answer

| Answer | Description |
|--------|-----------------------|
| data | written key (6 bytes) |
| 'F' | Error: Write failure |

Example

| Command | Description |
|------------------|---|
| wm00112233445566 | Store key 112233445566h in EEPROM (key number 0). |
| wm02A0A1A2A3A4A5 | Store transport key 1 in EEPROM key 2. |

7.4.3.17.1 Writing master keys

Keys are write only. It is not possible to read the keys. Nevertheless the reader returns correct error messages if the writing process fails.

A verification of the master key can only be done using an appropriate card and a successful login.

7.4.3.17.2 Using master keys for authentication

Master keys may be used for ISO-14443 A tag authentication. It is possible to use every stored for key A as well as key B authentication.

Each key is 6 bytes long and stored redundantly for data security.

7.4.3.18 Write value block

This command formats a block as a value block containing a 32-bit value. A read after write is performed automatically. Value blocks need a complete 16-byte block due to redundant storage. A successful login is required to run the command.

Command

| Command | Data |
|---------|---|
| 'wv' | Value block (1 byte) Value (4 bytes) |

Answer

| Answer | Description |
|--------|---------------------------------|
| Data | Written value (4 bytes) |
| 'I' | Error: value block failure |
| 'F' | Error: increment failure |
| 'N' | Error: No tag in field |
| 'U' | Error: Read after write failure |

Example

| Command | Description |
|--------------|------------------------------------|
| wv05010055EF | Writes value 010055EFh to block 5. |

7.4.3.18.1 Invalid value 'I'

The value read back after the write value instruction is not a value block. Data was written corruptly.

7.4.3.18.2 Write failure 'F'

Additional to a data read error caused by bad transmission conditions, this error appears if a sector is addressed which is not located in the authenticated sector.

7.4.3.18.3 No tag error 'N'

This error is returned if no tag is present or the card does not respond.

7.4.3.18.4 Writing values

The write value block command is designed to create blocks, which match the value format. This command requires write access to specified block. It is not recommended to use this instruction for ticketing operations. For ticketing applications special instructions (Increment/Decrement/Copy) are supported.

7.4.3.19 Reset

This command executes a power on (software) reset. New configuration settings will be loaded. It resets all tags in the antenna field.

Command

| Command | Data |
|---------|------|
| 'x' | None |

Answer

| Answer | Description |
|----------------------------|-------------|
| 'Mifare 1.0' + <CR> + <LF> | ASCII Mode |
| None | Binary Mode |

7.4.3.19.1 Reset Timing

The power up timing depends on environmental conditions such as voltage ramp up. For handheld devices the timing can change on the charging state of the battery.

8 Frequently Asked Questions

8.1 Getting Started

To test and interface the Mifare Easy Module, you do not need a sophisticated μ P development system. All you need is a PC, a connection cable and a power supply for the reader. If you are using Microsoft Windows (95/98/NT/...), take the following steps:

- Make sure, that your reader is RS232-interface type
- Start HyperTerminal
- Create a new connection (FILE/NEW CONNECTION)
- Enter name of connection as you like (i.e. 'MIFARE')
- Select connect COM2 (COM1) direct connection
- Connection setup 9600,8,n,1,no handshake
- Connect your reader to COM2 (COM1) of the PC and apply appropriate the supply voltage. The reader transmits a string ("Mifare 1.0") to the PC.
- This String denotes the firmware provided by your reader module
- Put a tag to your reader. Serial numbers should be displayed properly
- Enter commands via keyboard. They should be transmitted to the reader and the reader should reply

If using an operating system different from Microsoft Windows you may use any other terminal program which is capable of receiving/transmitting data via the serial port of your PC.

8.2 How should the Mifare Easy Reader be personalized?

In ASCII protocol applications, no personalization is necessary.

In applications that are using the binary protocol mode a personalization procedure is required. Use the Utility program to set up your reader correctly. Ask the reseller or the next ACG ID sales representative of the Reader for the Utility software or download it from www.acg.de. It requires at minimum WIN98SE, and a COM port on the PC.

8.3 What type of Mifare[®] card should I use?

Mifare[®] Standard is designed for multi application environment. It contains 16 sectors each with 2 individual keys, access conditions, 3 data or value blocks. Some applications use the 1 Kbytes of the Mifare[®] Standard Card Memory just as storage.

Mifare Ultralight has not a crypto unit on chip. It only supports 16 blocks.

Mifare Standard 4k cards have the same features as Mifare Standard card but increased memory capacity.

8.4 How safe is Mifare[®] Standard for cashless payment?

Security is always a property of the overall system, not of the components. It requires careful design.

A properly designed system will require **ALL** barriers to be hacked in order to be broken.

For good design start specifying feasible attacks. Then create barriers to block them.

Mifare[®] was specifically designed for cashless payment applications. The Mifare[®] concept provides following barriers:

- Anticollision/-selection
- Atomic value transaction
- Ciphered communication
- Storage of values and data protected by mutual authentication
- Weak field keys that allow decrement only
- Stored keys in the reader that are not readable
- Keys in the card that are not readable
- A brute force attack by trying different keys is limited by the transaction time (several msec) of the card and would last virtually forever.
- etc.

The Application can and should provide more barriers:

- Sector access conditions. It is possible to assign access conditions in a way that only decrementing of values is allowed with the keys used in the field. So even a manipulated field station cannot be used to charge cards with additional values. As a rule, key A is used as a field key, allowing decrement and read only, and key B to format the card or charge values.
- Diversified keys. To make life even harder for attackers, keys can be modified using serial number and memory content of the card. So each card uses different keys and a listening attack on the reader interface would be hopeless.
- Limiting cash volume stored on a card
- Do not use the transport keys (keys as programmed after delivery) for ticketing applications!
- Ciphered and scrambled data storage
- Sabotage alarm
- etc.
- Even higher security with contactless controller cards like DESFire, MifareProX, Smart MX etc.

8.5 Mifare® Standard Sector Trailer and Access Conditions

The last block of each sector contains configuration data for the sector. This configuration data includes key A, key B and the access conditions. The first six byte (byte 0...5) of the Sector Trailer contain key A data, the last six bytes (byte 10...15) contain key B data.

Byte number 6 to byte number 9 contain the access conditions for each block of the sector. It is possible to configure the access rights (read, write, increment, decrement, restore) different for each block in the sector and in dependence to the key used in the authentication (login) procedure.

Access conditions for the Sector Trailer himself are different form access conditions of a data block (increment, decrement, copy is never allowed for the Sector Trailer as of course this block never contains value data). The access conditions are stored redundant for data security reasons.

Please consider that enabled keys are not readable and therefore return 00 on reading.

It is possible to configure each block of one sector as Value Block (Ticketing) or Data Block.

As an example you may use the following values for the access rights:

| Block 0 | Block 1 | Block 2 | Sector Trailer |
|---------|---------|---------|----------------|
| V | V | V | 08 77 8F FF |
| V | V | D | 48 77 8B FF |
| V | D | V | 28 77 8D FF |
| V | D | D | 68 77 89 FF |
| D | V | V | 18 77 8E FF |
| D | V | D | 58 77 8A FF |
| D | D | V | 38 77 8C FF |
| D | D | D | 78 77 88 FF |

Where “D” denotes a data block and “V” value block. All access conditions are configured that way that key B has write access to the Sector Trailer and so may change the configuration.

Each of the 16 sectors consists of 4 blocks (including the sector trailer). Block 0 of sector 0 contains the serial number and some manufacturer data. It is read only.

For detailed description of the Sector Trailer /Access Conditions please refer to the datasheets of your chip manufacturer. As it is possible to destroy the tag (permanently make a block read and write protected) it is strongly recommended not to change the Sector Trailer without detailed knowledge and under safe environment with good reading/writing only.

8.5.1 Examples

8.5.1.1 Ticketing Applications

For ticketing applications it is recommended to use both keys of the MIFARE® card. Key A as a field key with rights for read, copy and decrement only. Key B is used as master key with full access rights (including increment and changing the access conditions and keys).

8.5.1.2 Data Handling Applications

For data handling Applications it is recommended to disable ticketing operations (increment, decrement, copy). Key A is user as slave key with reading rights only. Key B is used as master key with read/write access to all blocks.

8.5.1.3 No Security, open configuration

For open configuration applications it always possible not to change the sector trailer (FF 07 80 xx) and use the configuration as defined by the card manufacturer.

Key A is set as master key with full access rights and key B is disabled.

8.6 Using a Mifare card

This example demonstrates detecting a card in the antenna field with continuous read and additional reading of a page.

| Command | Answer |
|----------------------|---|
| c | Activate continuous read mode |
| | B2197B58 a card responses with his serial number |
| . | S abort continuous read mode |
| s | B2197B58 select card |
| I01AAFFFFFFFFFFFFFFF | L login into sector 1 with key FFFFFFFFFFFFFFh key type A |
| rb04 | 00112233445566778899AABBCCDDEEFF read block 04 |
| c | Activate continuous read mode to detect a new card |

Figure 8-1: Using a Mifare card

9 References

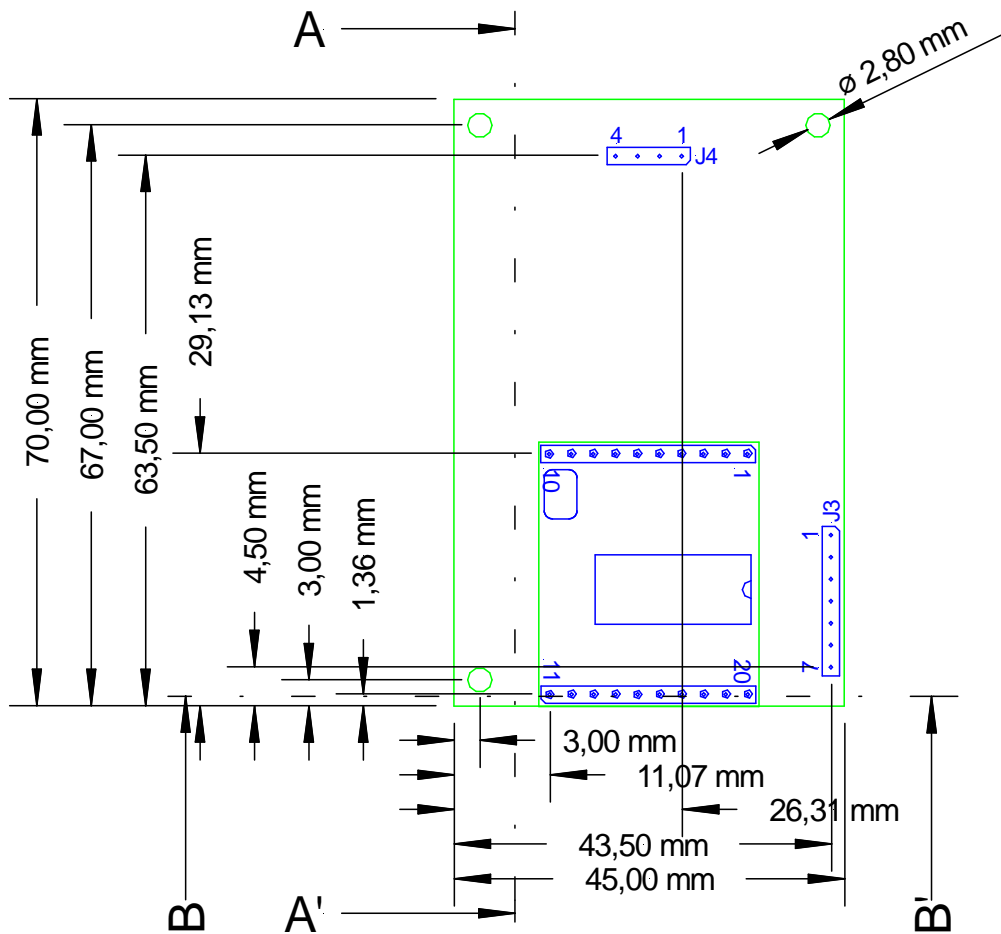
- [1] ISO/IEC 14443 Part 1-4, Identification Cards – Contactless integrated circuit(s) cards – Proximity cards
- [2] DESFire Documentation, Philips, <http://www.semiconductors.philips.com>
- [3] ACG Antenna Design Guide
- [4] Philips; Application Note, Mifare® & I-Code, Micore Reader IC family Directly Matched Antenna Design

10 Appendix A: Antenna

According to antenna design, please refer to Philips Application Note (Mifare ® & I-Code, Mifare Reader IC family Directly Matched Antenna Design [4]) or to the ACG Antenna Design Guide [3].

11 Appendix B: Compact P&P Module

All dimensions in mm

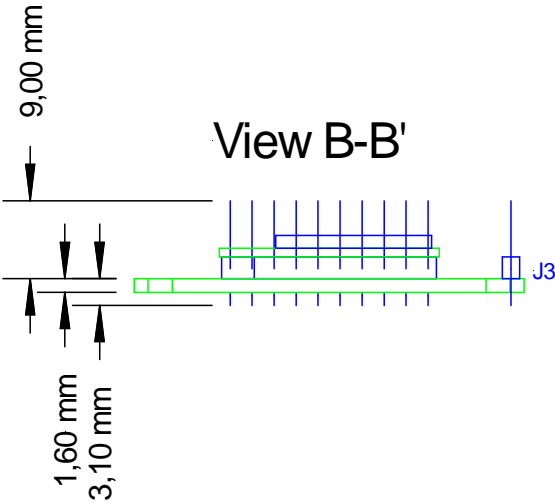
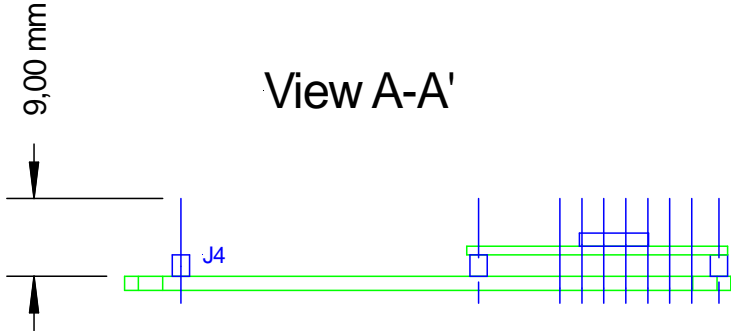


Connector J3:

| Pin | Description |
|-----|--------------------------|
| 1 | Reserved |
| 2 | +5V |
| 3 | GND |
| 4 | RX (RS232) / RXA (RS422) |
| 5 | TX (RS232) / TXA (RS422) |
| 6 | RXB (RS422) |
| 7 | TXB (RS422) |

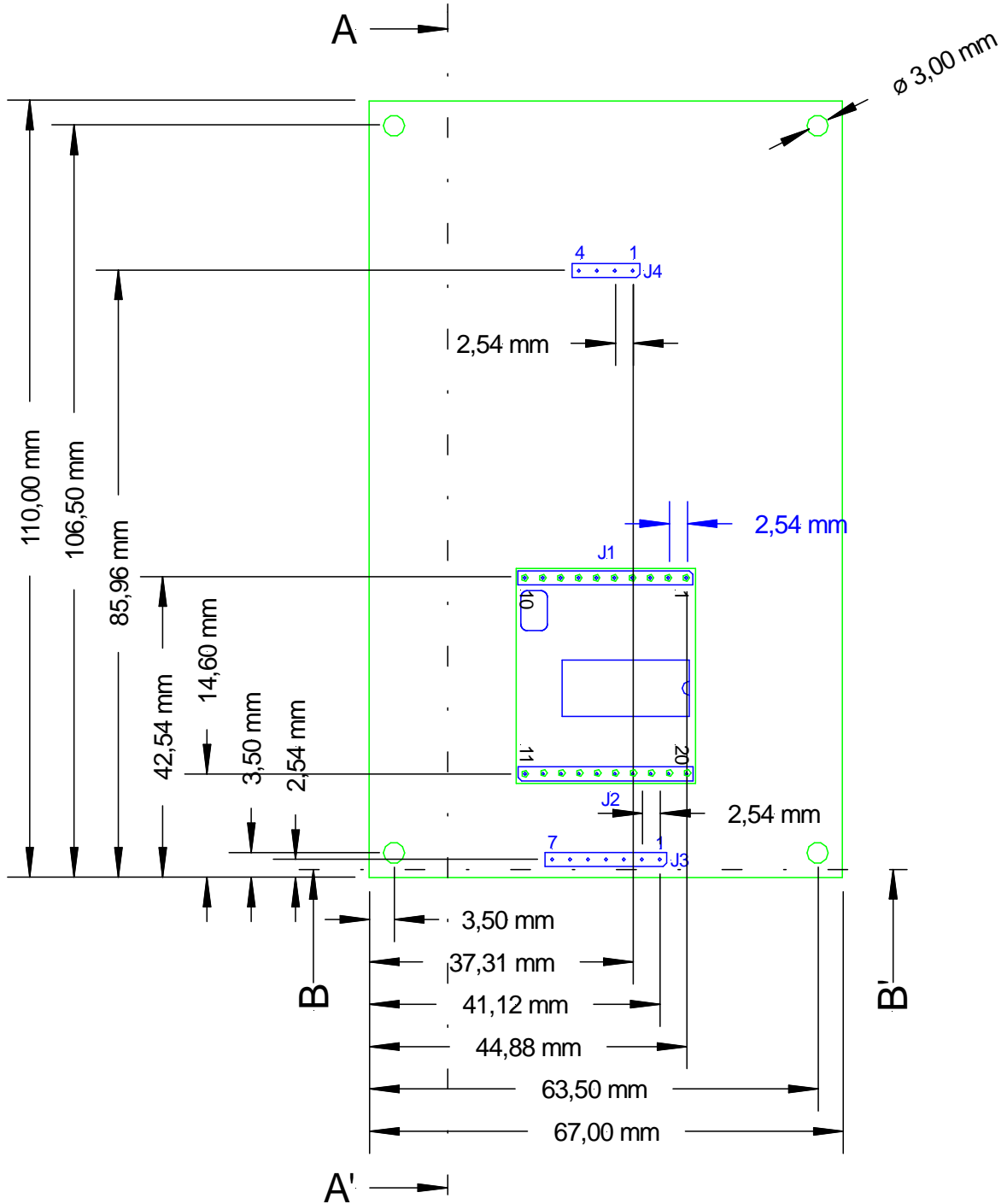
Connector J4:

| Pin | Description |
|-----|-------------|
| 1 | Read LED + |
| 2 | Read LED - |
| 3 | Power LED - |
| 4 | Power LED + |



12 Appendix C: Short Range P&P Module

All dimensions are listed in mm.

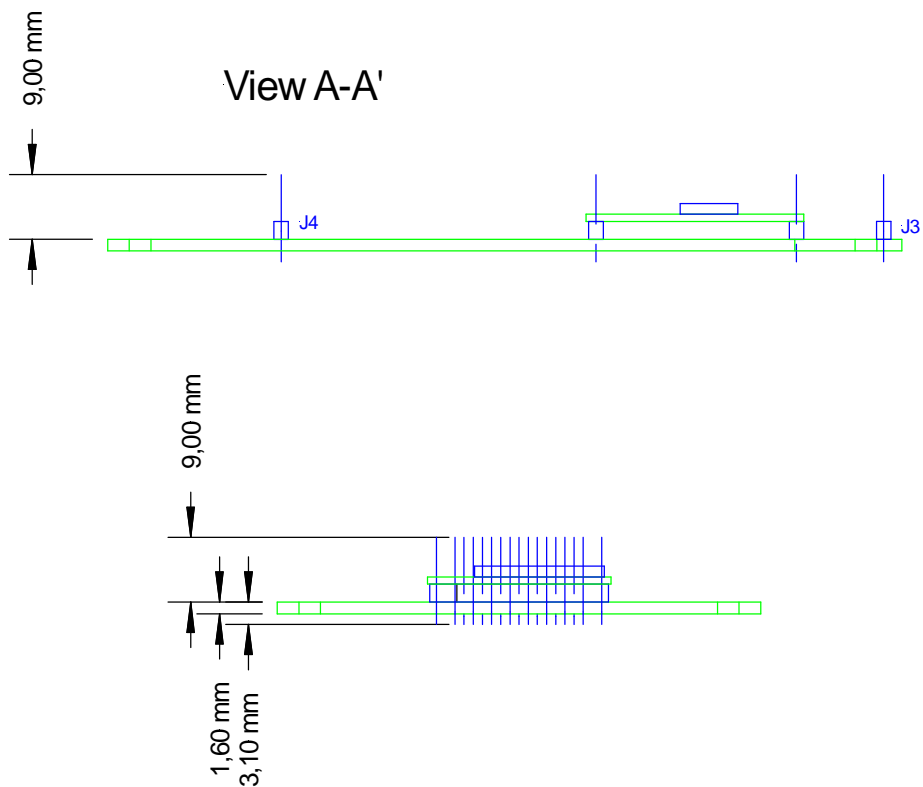


Connector J3:

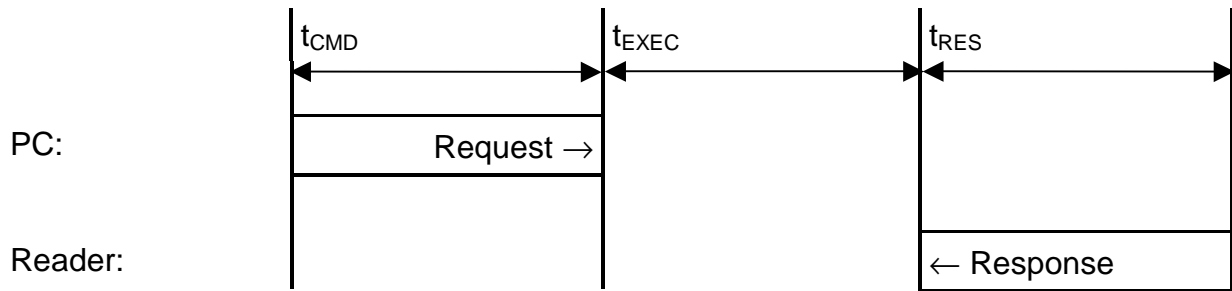
| Pin | Description |
|-----|--------------------------|
| 1 | Reserved |
| 2 | +5V |
| 3 | GND |
| 4 | RX (RS232) / RXA (RS422) |
| 5 | TX (RS232) / TXA (RS422) |
| 6 | RXB (RS422) |
| 7 | TXB (RS422) |

Connector J4:

| Pin | Description |
|-----|-------------|
| 1 | Read LED + |
| 2 | Read LED - |
| 3 | Power LED - |
| 4 | Power LED + |



13 Appendix D: Timings



| Command | t_{EXEC} [ms] | Comments |
|-------------------------|-----------------|---------------------------------------|
| Common commands | | |
| cont. read | 7 | + Reset Off and Recovery Time |
| multiselect | 10 | + Reset Off and Recovery Time |
| multiselect (no tag) | 35.4 | + Reset Off and Recovery Time |
| antenna on | 0.5 | |
| antenna off | 0.6 | |
| port read | 0.3 | |
| port write | 0.3 | |
| read block | 4.1 | |
| write block | 11.6 | |
| reset | 107 | |
| select | 8.8 | + Reset Off and Recovery Time |
| select (no tag) | 35.4 | + Reset Off and Recovery Time |
| increment value block | 15.1 | |
| decrement value block | 15.1 | |
| copy value block | 15 | |
| read value block | 4 | |
| write value block | 15.5 | |
| Power conditions | | |
| Power on | 145 | excluded raising time of power supply |
| Enable on | 114 | |

Figure 13-1: Timings

All timing data is advisory application information and does not form part of the specification. It may change in further firmware releases. Please note also that all in the above table specified values depend on the used tag.

14 Appendix E: Release Notes

14.1 Version History

14.1.1 Mifare 1.0

Initial Release.

14.2 Revision history

| Date | Revision number |
|------------|-----------------------|
| 04/13/2005 | Version 1.0, Rev. 1.0 |
| 10/07/2005 | Version 1.0, Rev. 1.1 |

15 Appendix F: CE Declaration

The HF Mifare Easy Plug & Play Read/Write Module complies with the European CE requirements specified in the EMC Directive 89/336/EEC. The relevant documents are available.

If the HF Mifare Easy Read/Write Module is operated from a mains power supply, all power connections and additional components of the final device must comply with the European EMC directive.

Additional connections may have a length of up to 2 m maximum, or in fixed installations up to 1 m maximum.

European customers must themselves make sure that the final device conforms to the European EMC Directive.

16 Appendix G: FCC Declaration

The HF Mifare Easy Plug & Play Read/Write Module complies with the US FCC Part 15 requirements. The relevant documents are available.

If the HF Mifare Easy Read/Write Module is operated from a mains power supply, all power connections and additional components of the final device must also comply with the US FCC Part 15 directive.

Customers selling into the USA must themselves make sure that the final device conforms to the US FCC Part 15 directive.

Caution: Any changes or modifications not expressly approved by the party responsible for compliance could void the user's authority to operate the equipment.