



Excellence in Compliance Testing

Certification Exhibit

**FCC ID: U4A-SCYICLS0
IC: 6982A-SCYICLS0**

**FCC Rule Part: 15.225
IC Radio Standards Specification: RSS-210**

ACS Report Number: 10-0199.W06.11.A

**Manufacturer: Assa Abloy, Inc.
Model: S1-IA/IK, S2-IA/IK**

**Manual
Model S2-IA/IK**

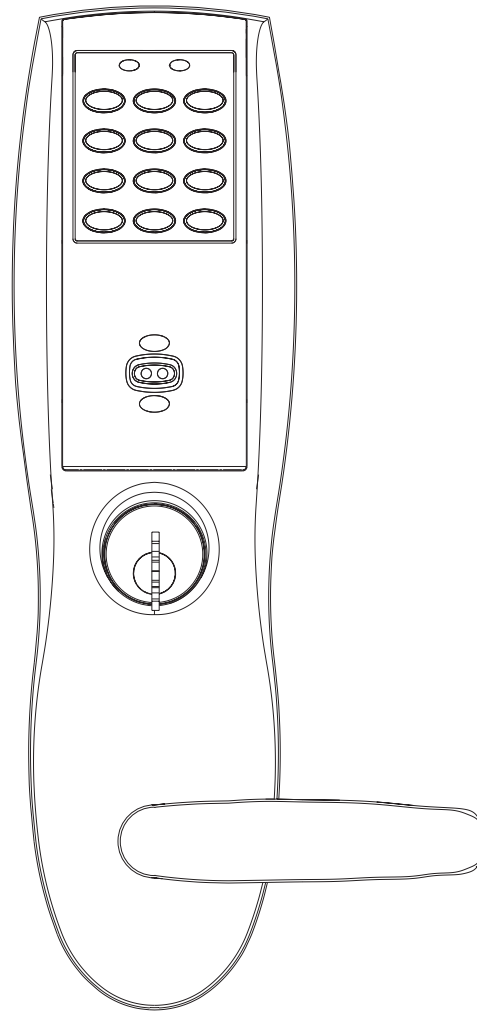
Installation Instructions

Profile Series v.S2 WiFi

Mortise Lock

SARGENT[®]

ASSA ABLOY



A7786E

10/10

Table of Contents

1	Warning	2
2	General Description	3
3	Hardware Specifications	3
4	Electronic Specifications	3
5	Installation Wiring Overview	3
6	Lock Wiring	4
7	Parts Breakdown	5
8	Installation Instructions	7
9	Operational Check	15

1 Warning

Warning: Changes or modifications to this unit not expressly approved by the party responsible for compliance could void the user's authority to operate the equipment.

FCC:

NOTE: This equipment has been tested and found to comply with the limits for a Class B digital device, pursuant to Part 15 of the FCC Rules. These limits are designed to provide reasonable protection against harmful interference in a residential installation.

This equipment generates, uses, and can radiate radio frequency energy and, if not installed and used in accordance with the instructions, may cause harmful interference to radio communications. However, there is no guarantee that interference will not occur in a particular installation. If this equipment does cause harmful interference to radio or television reception, which can be determined by turning the equipment off and on, the user is encouraged to try to correct the interference by one or more of the following measures:

- Reorient or relocate the receiving antenna.
- Increase the separation between the equipment and receiver.
- Connect the equipment into an outlet on a circuit different from that to which the receiver is connected.
- Consult the dealer or an experienced radio/TV technician for help.

Industry Canada:

Statement: The term "IC:" before the radio certification number only signifies that Industry Canada technical specifications were met.

This Class B digital apparatus meets all requirements of the Canadian Interference Causing Equipment Regulations. Operation is subject to the following two conditions: (1) this device may not cause harmful interference, and (2) this device must accept any interference received, including interference that may cause undesired operation.

Cet appareillage numérique de la classe B répond à toutes les exigences de l'interférence canadienne causant des règlements d'équipement. L'opération est sujette aux deux conditions suivantes: (1) ce dispositif peut ne pas causer l'interférence nocive, et (2) ce dispositif doit accepter n'importe quelle interférence reçue, y compris l'interférence qui peut causer l'opération peu désirée.



To comply with "Fire Listed" doors, the batteries must be replaced with alkaline batteries only.

SARGENT Mfg. Co. v.S Series locksets utilizing a door position switch (DPS) are not rated for, or intended for use in life safety applications.

2 General Description

The SARGENT Profile Series v.S2 mortise lock is available with either a Prox 125 kHz or an HID iCLASS® 13.56 MHz technology reader. It is designed for applications requiring wireless access control. The v.S2 is a self-contained microprocessor-controlled access control product with non-volatile memory. It is able to utilize the existing wireless LAN (802.11b/g) in order to communicate with the access control system. The v.S2 lock holds a total of 2000 different user codes.

This product is operated by six (6) "AA" alkaline batteries or a SARGENT 3267 9VDC power supply. SARGENT mortise locks are designed with quality components to provide high security, performance and durability.

The Profile Series v.S2 mortise lock may be used for both indoor and outdoor applications. A weather-protective gasket is recommended for outdoor applications (Provided with unit).

HID® and iCLASS® are registered trademarks of HID Global Corporation.

3 Hardware Specifications

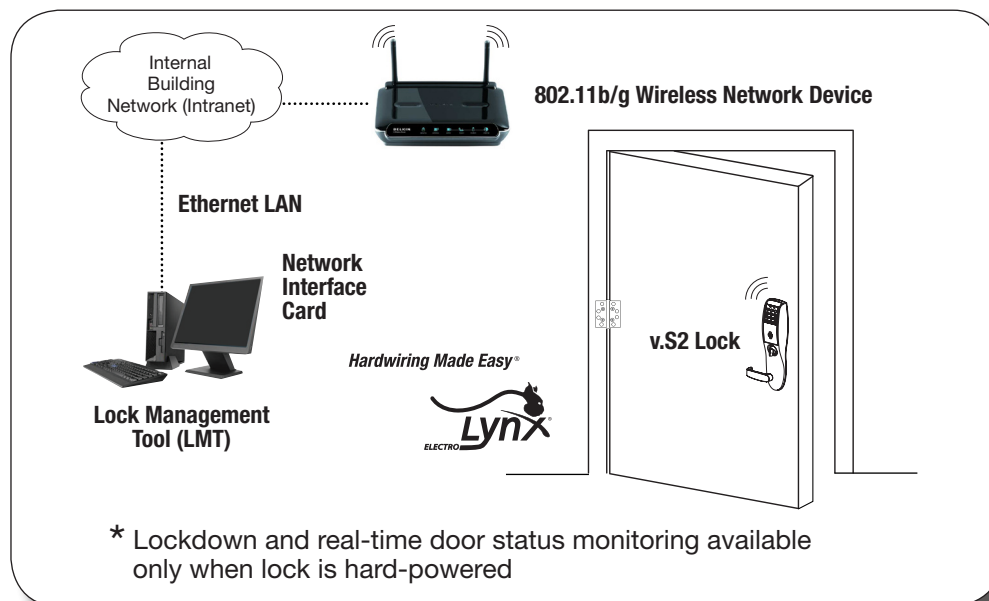
- Latch: One-piece stainless steel, 3/4" projection
- Deadbolt: One-piece hardened stainless steel
- Guardbolt: Stainless steel, non-handed
- Handed: Easily field reversible without opening case
- Case: 12-gauge, heavy duty wrought steel
- UL Listed (3 hours)
- Outside lever for iCLASS controlled by any 13.56 MHz iCLASS credential
- Outside lever for 125 kHz prox controlled by any combination of keypad, prox reader, or mechanical cylinder
- Inside lever retracts latch and deadbolt
- Locks furnished for 1-3/4" doors. Can be furnished for other door sizes upon request. Consult factory.

4 Electronic Specifications

- Wireless (WiFi 802.11 b/g) online, battery-operated
- 2000 Users per lock (more possible with software)
- 10,000 Event audit trail
- Centralized lock management
- Door Status Monitoring*
- Easy installation (no need to hardwire)
- Input Power: DC 9V, 1.5A (6 AA alkaline batteries or optional hard-powered)
- Lockdown capable*
- HID iCLASS (13.56 MHz) and 125 kHz prox (proximity) compatible (26-39 bit formats)
- AWE Prefix available for WPA2, PEAP and EAP-TS Wireless Encryption Support

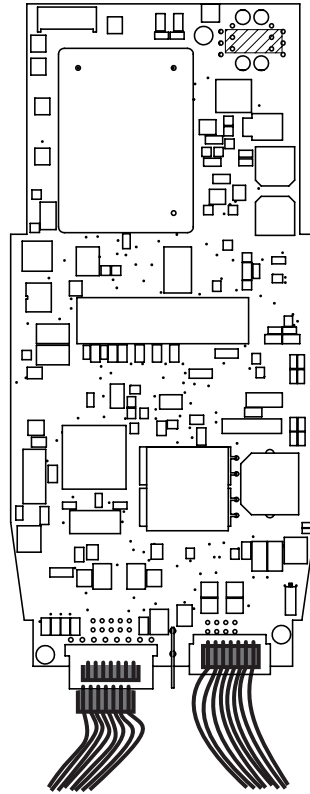
5 Installation Wiring Overview

SARGENT Profile Series WIFI v.S2 Typical Application

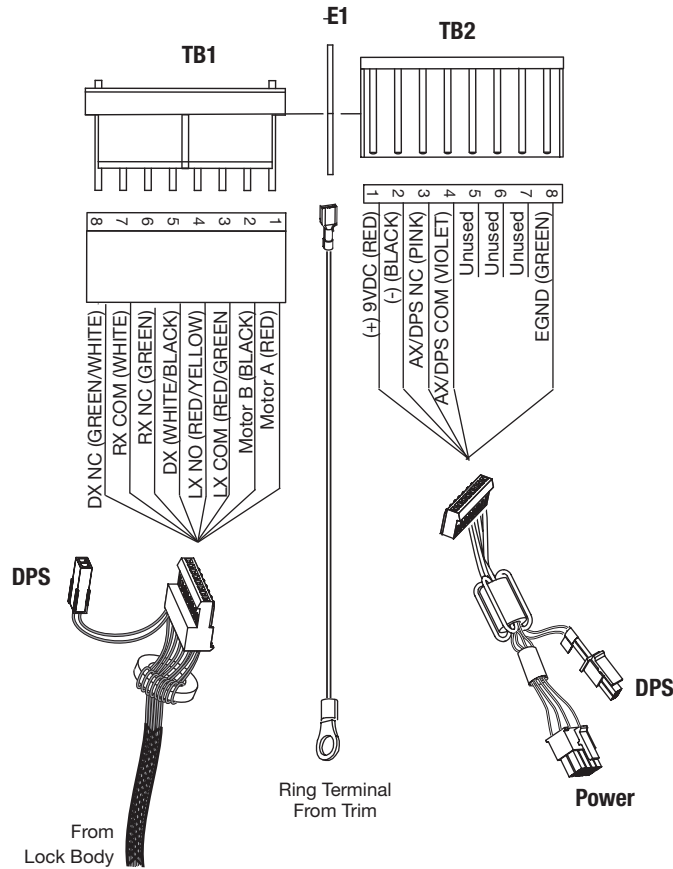


6 Lock Wiring

Profile Series v.S2 WiFi Mortise Lock



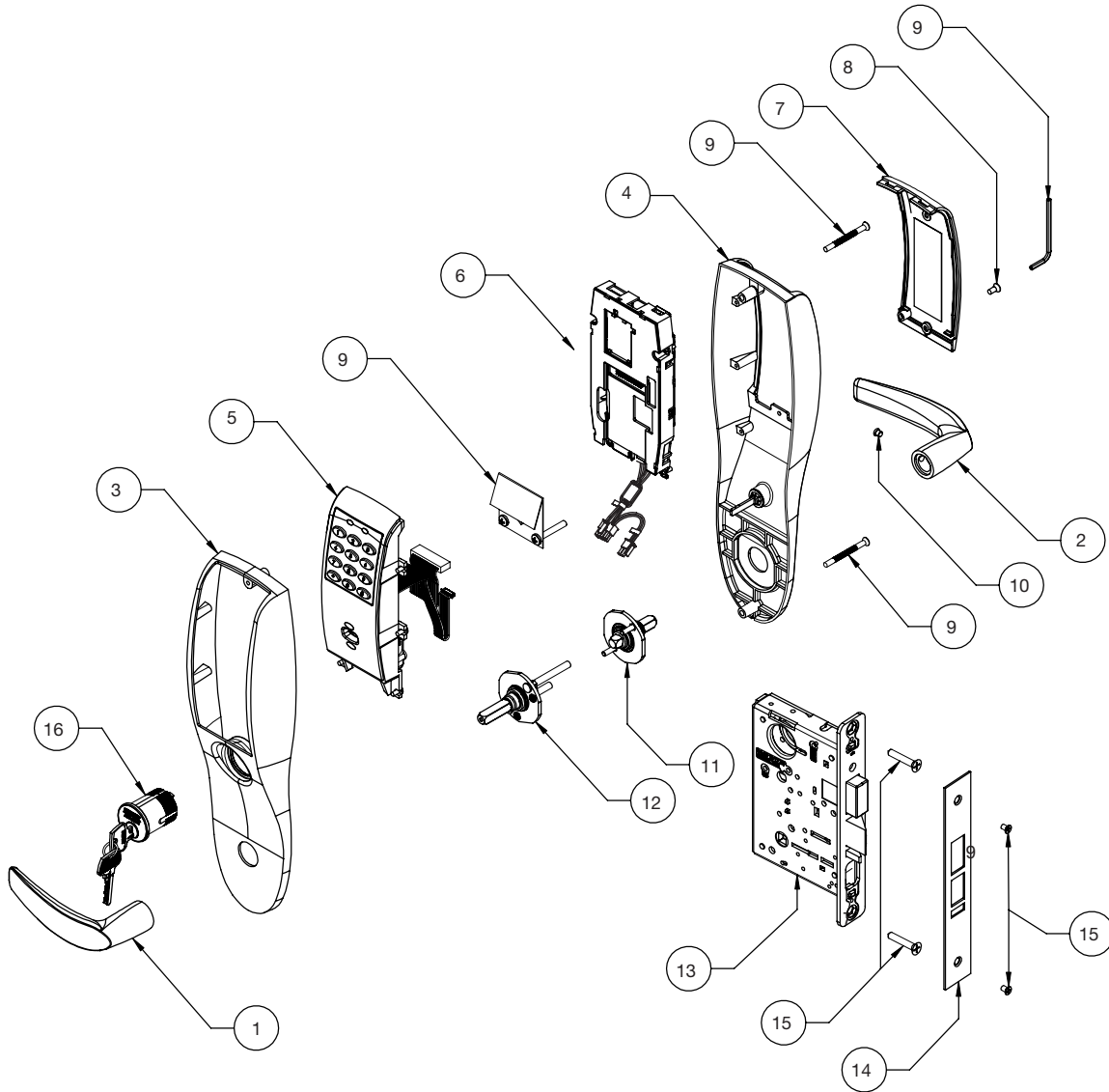
Controller Board Connectors
(Inside Escutcheon)



Copyright © 2010, Sargent Manufacturing Company, an ASSA ABLOY Group company. All rights reserved. Reproductions in whole or in part without express written permission of Sargent Manufacturing Company is prohibited.

10/15/10

7 Parts Breakdown 125 kHz Prox and 13.56 MHz iCLASS



Parts Breakdown 125 kHz Prox and 13.56 MHz iCLASS, continued

ITEM	PART NO.	DESCRIPTION	QTY.
1	Outside Lever	Reference 8200 Catalog for available levers	1
2	Inside Lever	Reference 8200 Catalog for available levers	1
3	82-0493	O/S Escutcheon only with Cylinder	1
	82-0495	O/S Escutcheon only without Cylinder	
4	82-0492	Inside Escutcheon only without Thumb Turn	1
	82-4571	Inside Escutcheon only with Thumb Turn	
5	52-2431	125 kHz Prox Only Assembly (PA)	1
	52-2432	Keypad and 125 kHz Prox Assembly (PK)	
		OR	
	52-4255	13.56 MHz Prox Only Assembly (IA)	
	52-4256	Keypad and 13.56 MHz Prox Assembly (IK)	
6	52-4200	S2 Controller Assembly (Double Pulse)	1
	52-4265	S2 AWE Controller Assembly Kit	
7	52-3855	Battery Cover Assembly	1
8	01-1212	Security Screw	1
9	52-2427	Profile Screw Pack - Specify Finish (Includes: Fire Stop Plate, Trim Mounting Screws, Security Allen Wrench)	1
10	Consult Factory	Lever Handle Screw (Depends on Lever Style)	1
11	Consult Factory	Inside Adapter Assembly (Depends on Lever Style)	1
12	Consult Factory	Outside Adapter Assembly (Depends On Lever Style)	1
13	S2-82276-hand-finish	Lockbody with Deadbolt with Cylinder	1
	S2-82277-hand-finish	Lockbody with Deadbolt without Cylinder	
	S2-82278-hand-finish	Lockbody without Deadbolt with Cylinder	
	S2-82279-hand-finish	Lockbody without Deadbolt without Cylinder	
14	82-0084	Faceplate with Deadbolt (shown)	1
	82-0081	Faceplate without deadbolt	
15	77-4336	Mortise Screw Pack - Specify Finish (Includes: Wood and Metal Lock body Screws, Faceplate Screws, and Strike Screws)	1
16	Consult Factory	#43 Mortise Cylinder	1

8 Installation Instructions

Step #1 – Door Preparation

A. Verify Hand and Bevel of Door

Stand on outside/locked side of door when determining the door hand.

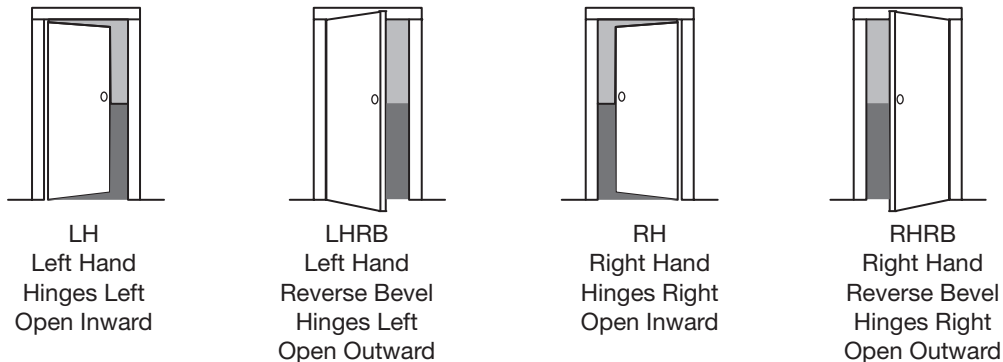


Fig. 1A

B. Door Preparation

Prior to installation, all holes must be free of burrs, debris and sharp edges.

Prepare door according to appropriate template (see website www.intelligentopenings.com):

- Wood door: A7457 (ships with product)
- Metal door: 4533

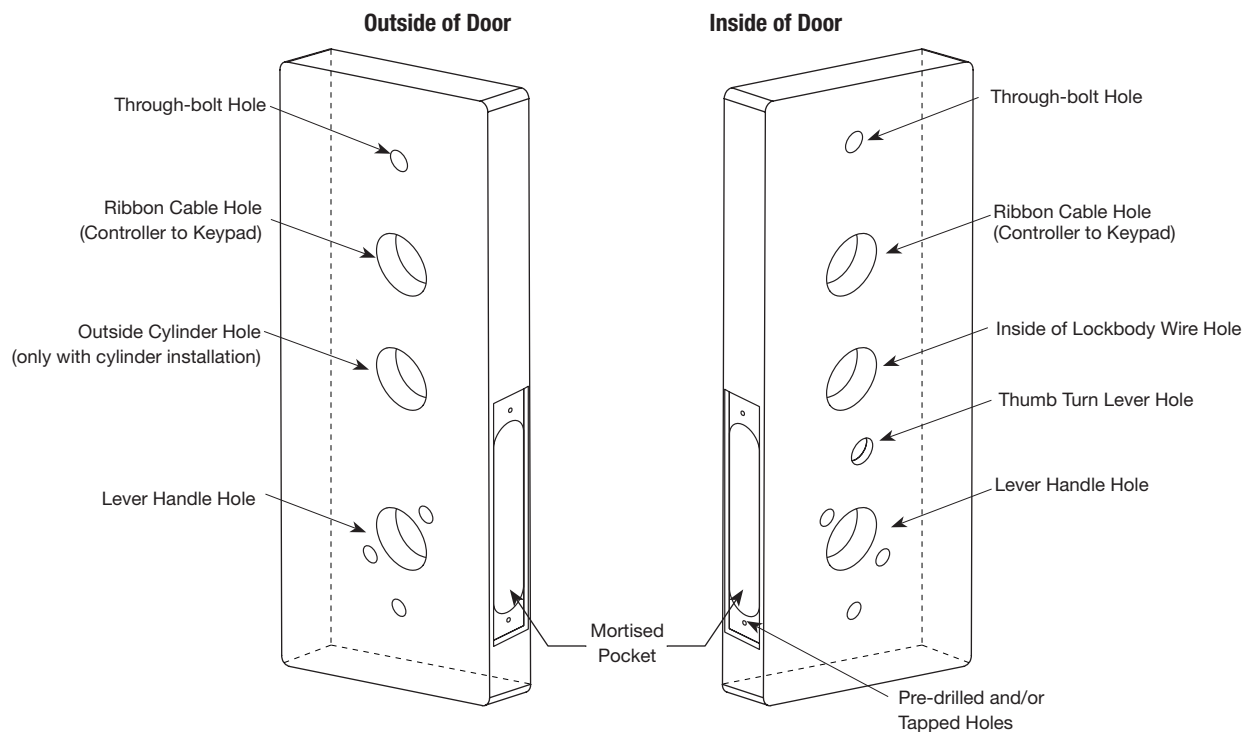


Fig. 1B

Step #2 – How to Change Hand of Lockbody

A. Reverse Lock Hand

Red surface of locking piece must face the outside/locked side of door. To rotate locking piece (Fig. 2A):

1. Position lock body with red surface of locking piece visible.
2. Insert blade type screwdriver into locking piece slot to rotate locking piece toward back of lock body.
3. Rotate the locking piece 180° until RED surface is on opposite side.

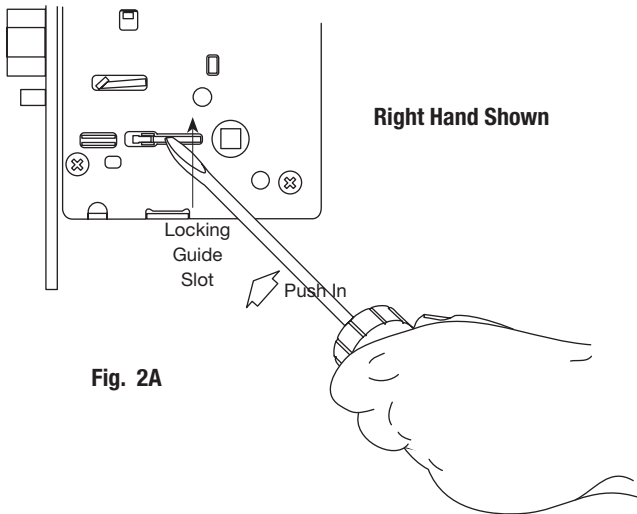
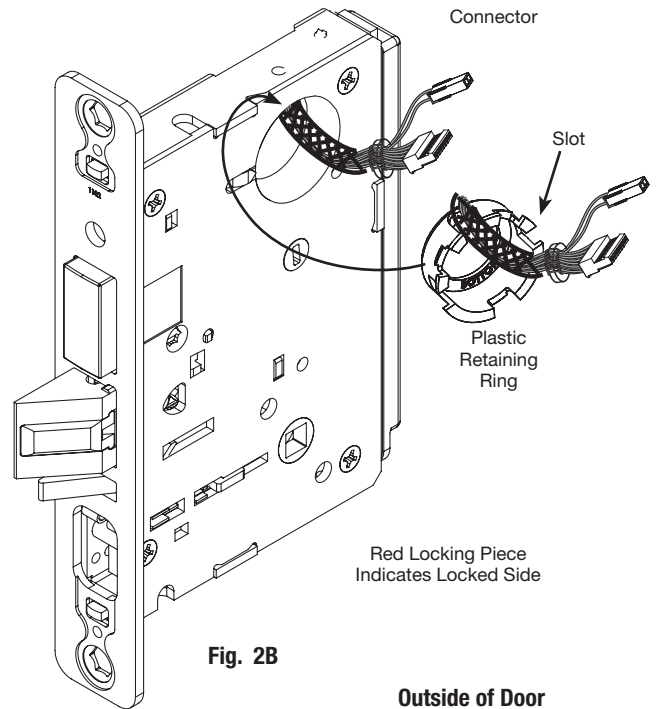
Note: Red indicates locked side (outside).

Wire harness MUST exit through the inside/non-cylinder side of the lockbody.

B. Retaining Ring

Make sure the plastic retaining ring is seated correctly (Fig. 2B):

1. The wires and the plastic retaining ring must be located on the non-cylinder side.
2. Orient the plastic retaining ring so that the word **Bottom** is located at the bottom of the cylinder hole.
3. Route the wires from the top of the cylinder hole into the slot on the top of the plastic retaining ring, NOT through the retaining ring.



C. Reverse Latch Hand

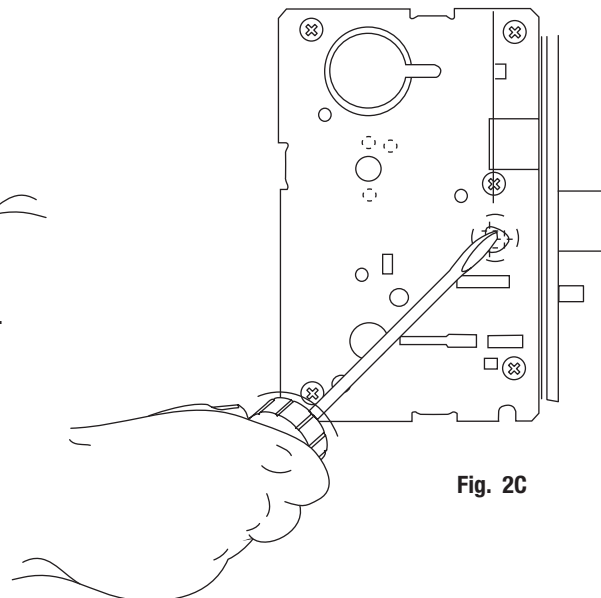
Beveled surface of latchbolt must face strike (Fig. 2C).

The deadlatch is self adjusting.

To change the hand of the latchbolt:

1. Insert the blade of a slotted screwdriver (>1/4") into the spade shape slot behind latch.
2. Rotate the screwdriver 90° to push latchbolt out until back of bolt clears lock case front.
3. Rotate latchbolt 180° until the latchbolt drops back into the lockbody.

Note: Latch cannot be unscrewed.



Step #3 – Install Lockbody

To install lockbody:

1. Feed the wires first through the mortise pocket and out the inside prep, followed by the lockbody (Fig. 3A).
Note: Connectors and wires must be fed through non-cylinder side.
2. The wires from the lockbody exit the inside door prep through the mortise cutout.
3. Loosely secure the lockbody in the door with two #12 x 1-1/4" wood screws or #12-24 x 1/2" machine screws.

Note: Do not completely tighten at this time.

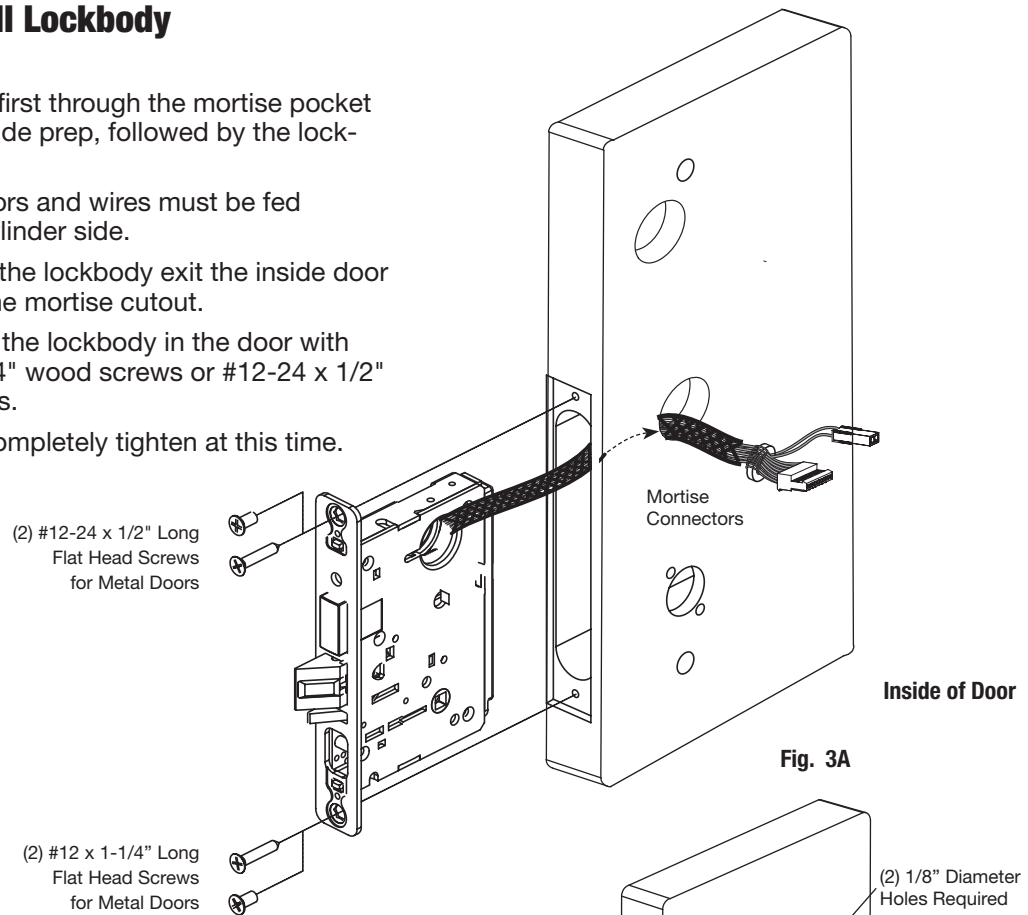


Fig. 3A

Step #4 – Exterior Door Options

A. Fire Stop Plate

Fire-rated doors require a fire stop plate on the outside of the door (Fig. 4A).

1. Drill (2) 1/8" x 1-1/4" deep holes in the door, if not already present.

Refer to template for fire-stop prep locations.

2. Attach with flap up and out using (2) #8 x 1/2" self-tapping screws for wood and metal doors.

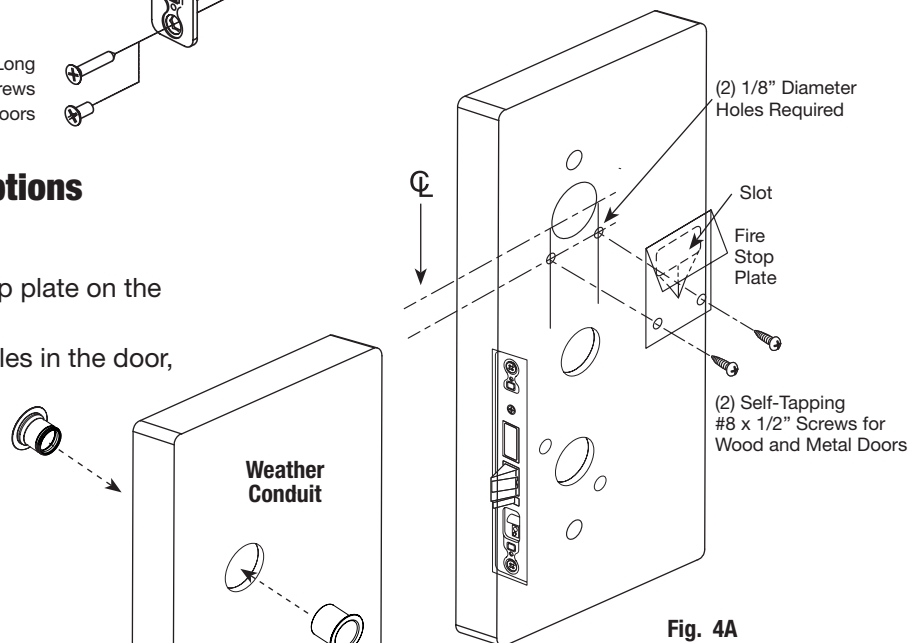


Fig. 4A

B. Weather Conduit

Install weather conduit (part number 52-2847) on **NON Fire-Rated** exterior doors only (Fig. 4B).

Note: Once weather conduit is assembled, it can be difficult to take apart.

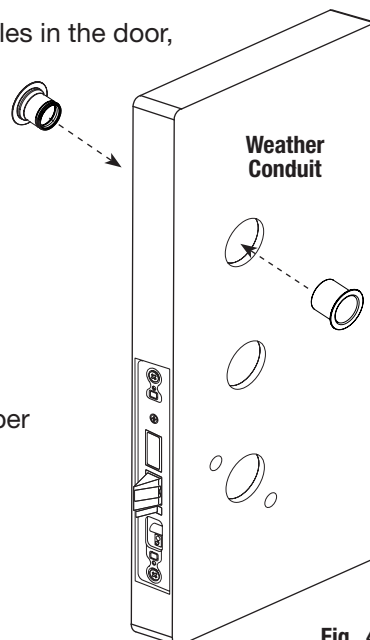


Fig. 4B

Step #5 – Install Gasket (for Exterior Doors)

For exterior applications, use weather seal gasket between escutcheon and outside door surface. To apply weatherseal gasket:

1. Carefully remove the backing from the gasket. (Fig. 5A).
2. Apply gasket to escutcheon:
 - a. Starting in one place, press the adhesive side of the gasket firmly against the escutcheon.
 - b. Work around the escutcheon, pressing the sticky side of the gasket firmly against the escutcheon edge.
 - c. The gasket should be aligned so that all edges of the escutcheon are covered.

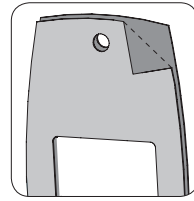


Fig. 5A

3. Attach escutcheon to the door.

Note: The 43 cylinder may be used with or without a gasket.

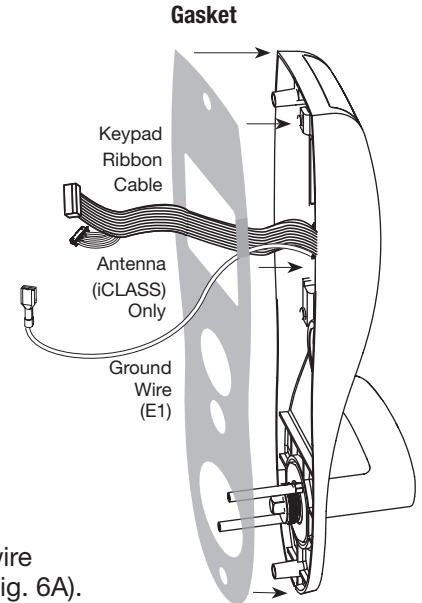


Fig. 5B

Step #6 – Install Gasket (for Exterior Doors)

1A. For fire rated doors: feed ribbon cable with connector and ground wire from outside of door through weatherseal gasket and fire stop plate (Fig. 6A).

Note: Install ribbon cable with cable exiting down

1B. For non-fire rated doors: feed ribbon cable with connector and ground wire from outside of door through weatherseal gasket (if used) and weather conduit (Fig. 6B).

Note: Install ribbon cable with cable exiting down

2. With outside lever horizontal, locate the outside escutcheon on the door, while directing the mounting posts through the door and lock body (Fig. 6B).

Make sure the lever spindle is properly engaged in lock.

7. On the inside of the door, insert spindle into square hole of mortise lock.
8. Slide inside adapter and plate assembly over spindle and loosely secure with 2 through -bolt screws (#8-32 x 5/8”).

Note: For 8276 and 8278, loosely thread cylinder through escutcheon and into the lock body before tightening the lock case screws and escutcheon through bolts.

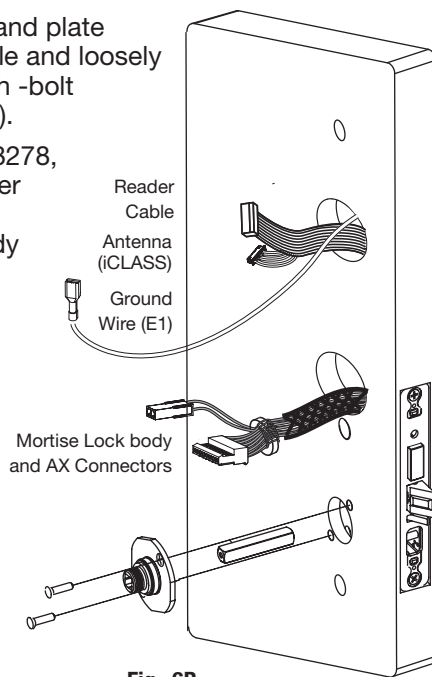


Fig. 6B

Inside of Door

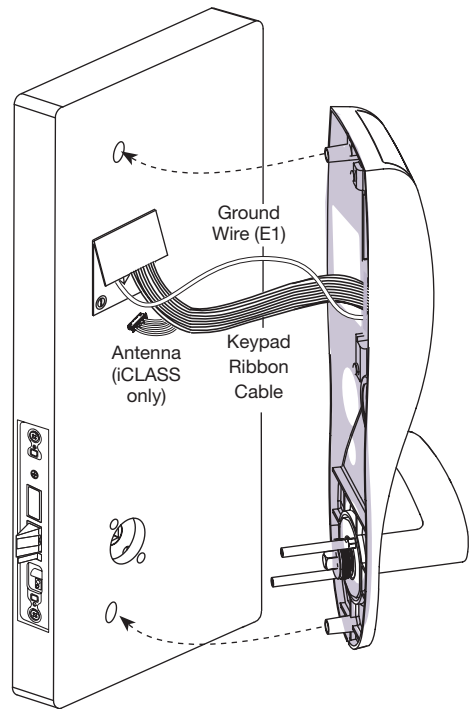


Fig. 6A

Outside of Door

Step #7 – Inside Escutcheon Wire Connections

Images are shown without gasket. If gasket is necessary, refer to Step #5.

Before the controller is attached to the door:

1. Attach the reader assembly ribbon cable into the back of the controller assembly (side that faces towards the door when mounted (Fig. 7A).
2. Attach the antenna to the circuit board in the plastic housing under the controller assembly.
Note: The difference between the wiring for the iCLASS 13.56 MHz reader and the 125 kHz Prox is that the iCLASS wiring includes an antenna wire.
3. Attach the ground wire to the bottom of the controller assembly (E1).

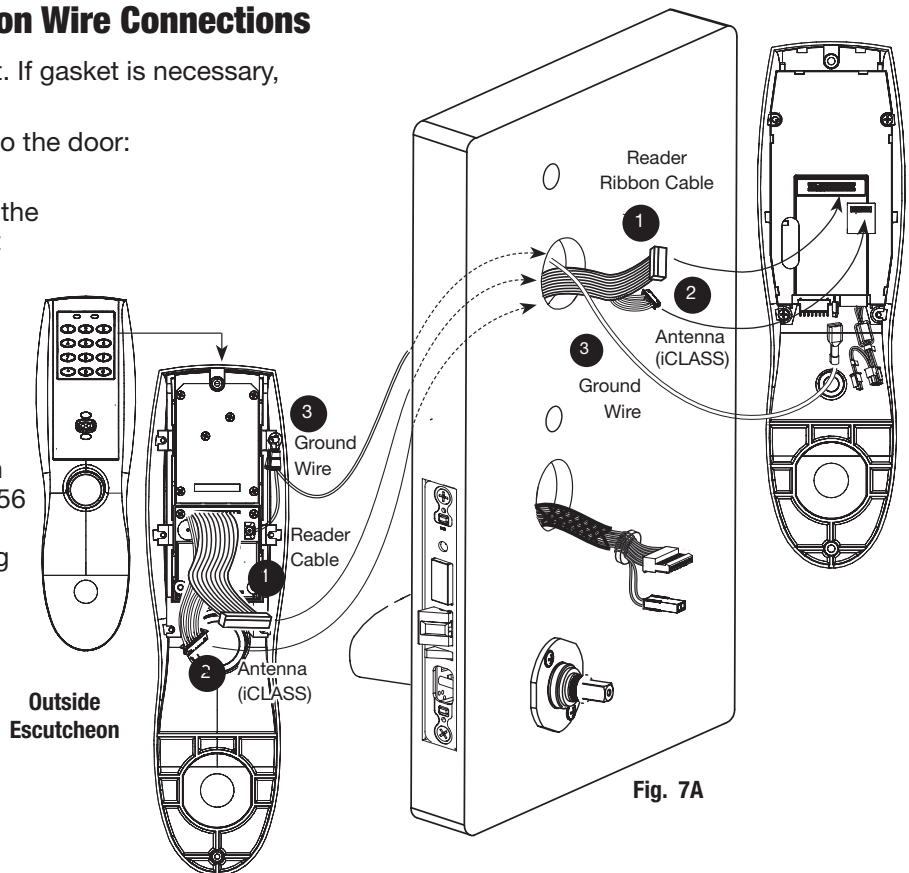


Fig. 7A

Step #8 – Lock Wire Connections

1. Connect the cable from the mortise lock to the bottom of the controller assembly (TB1, Fig. 8A).
2. Connect the AX/DPS connector to the 2-pin harness.

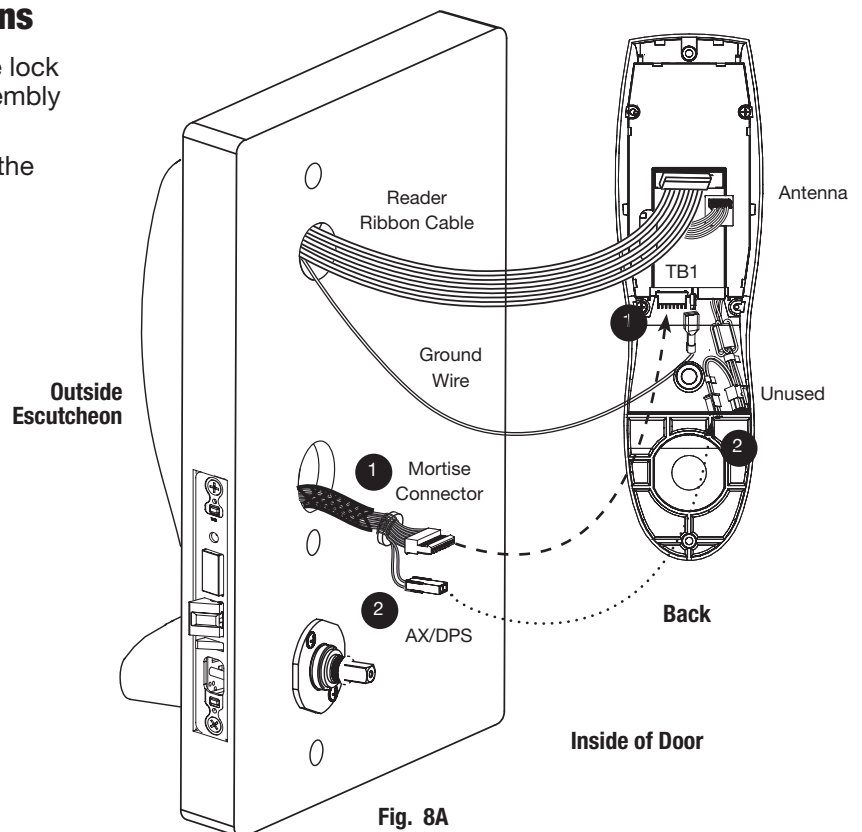
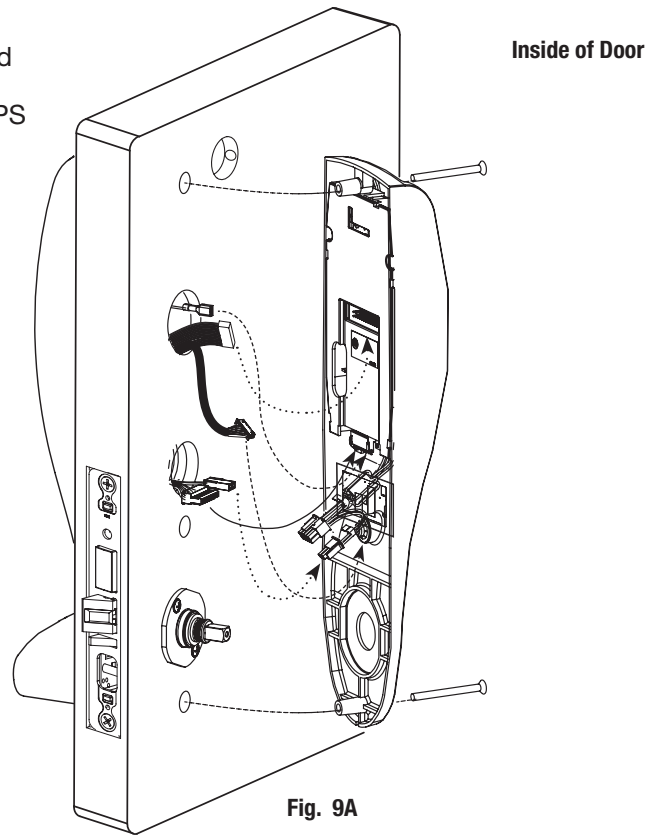


Fig. 8A

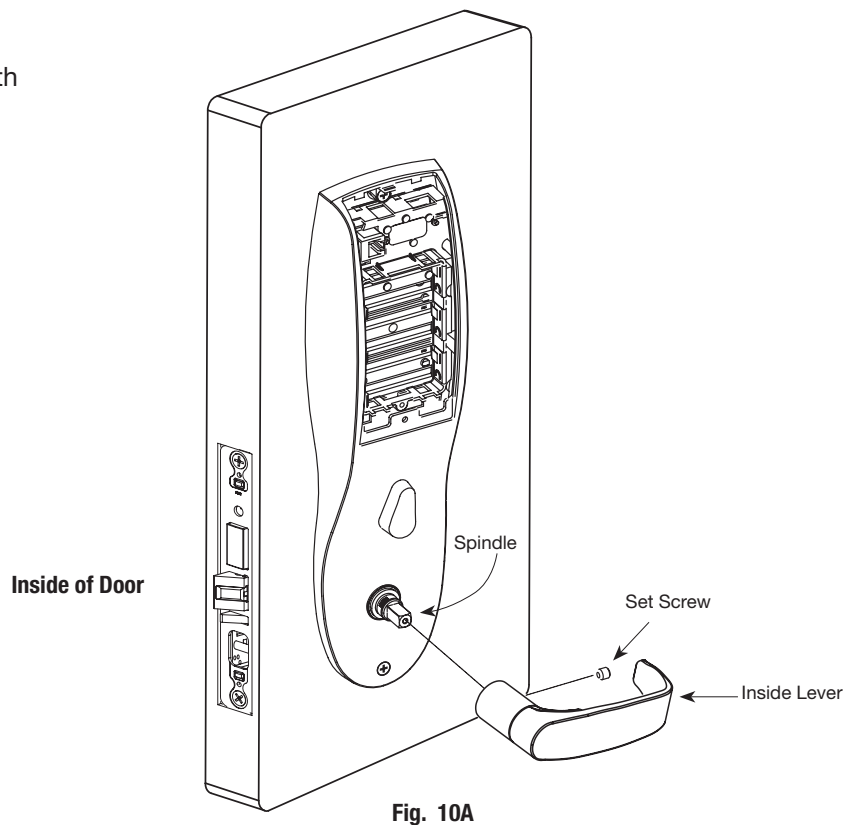
Step #9 – Install Inside Escutcheon

1. Gently fold the excess ribbon connector and ground wire into the top hole, JST connectors and ground wire into offset middle hole, and mortise and AX/DPS wires into bottom hole, being careful not to pinch wires (Fig. 9A).
2. Insert (2) #8-32 x 1-1/4" screws through inside escutcheon and thread into outside escutcheon. Straighten escutcheons and tighten securely.



Step #10 – Install Inside Lever

1. Slide lever handle onto spindle until fully seated (Fig. 10A).
2. Tighten the set screw securely with 1/8" hex wrench.



Step #11 – Install and Secure Cylinder

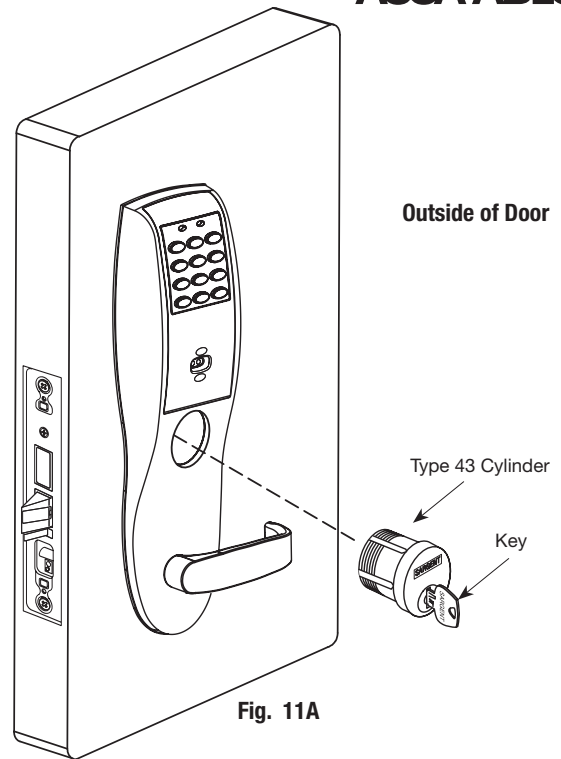
1. Slide cylinder through the spring and rosette/collar and screw into lockbody, rotating the cylinder clockwise (Fig. 11A).

Cylinder should be flush with rosette/collar.

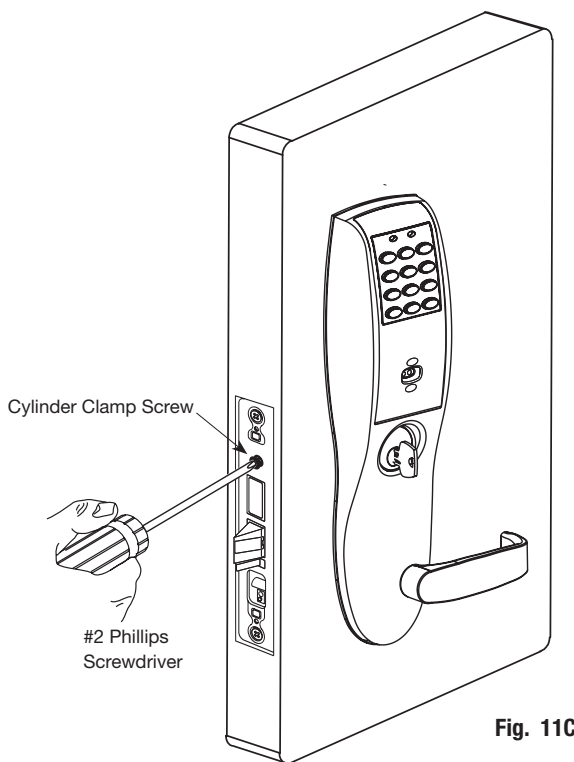
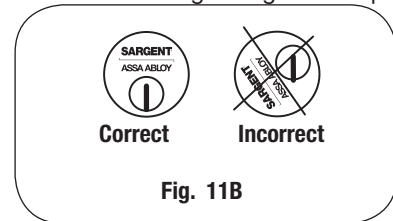
Note: The 43 cylinder may be used when installing this product with or without a gasket.

Note: SARGENT logo must be horizontal and on the top of the cylinder (Fig. 11B).

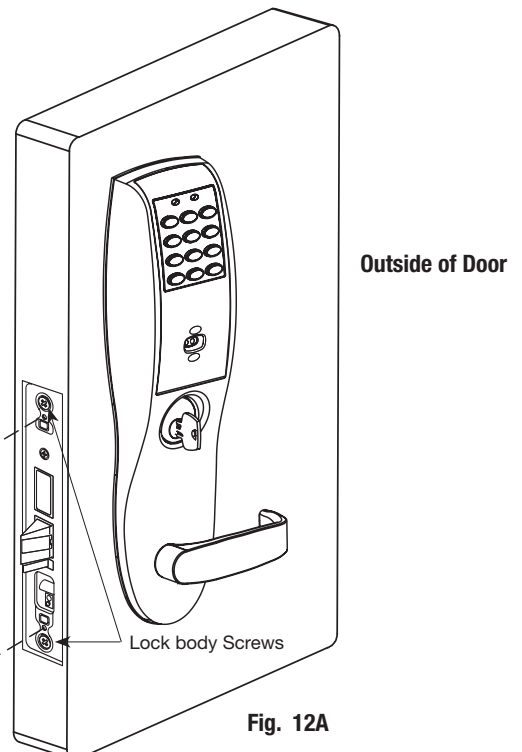
2. Secure the cylinder by tightening cylinder clamp screw located above the deadbolt using #2 Phillips screwdriver (Fig. 11C).
3. Using the key, test cylinder functions:
 - 8278 Function: Key retracts latch.
 - 8276 Function: Key retracts latch and projects and retracts deadbolt.



Position cylinder so that the SARGENT logo is right-side up.



Outside of Door



Step #12 – Attach Front Plate

Attach front plate with (2) flat head screws.

Step #13 – Install (or Replace) Batteries

IMPORTANT: Do not install batteries if controller is powered by external power supply.

1. To install or replace batteries, first remove the battery cover (if necessary) using the provided security tool (Fig.13A).
2. Unscrew the bottom screw of the battery keeper and remove the battery keeper, being careful not to break the tabs at top that hold it in place (Fig.13B)
3. Place (6) “AA” alkaline batteries in the compartment, being careful to align polarity properly.
4. Replace battery keeper being careful to engage tabs at top to hold it in place (Fig. 13B).
5. Attach battery cover to inside escutcheon, making sure to line up tabs with retaining slots in battery cover.
6. Secure with the security screw using tool. (Fig. 13A).

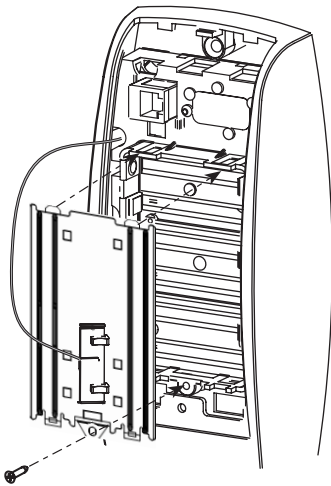


Fig. 13B

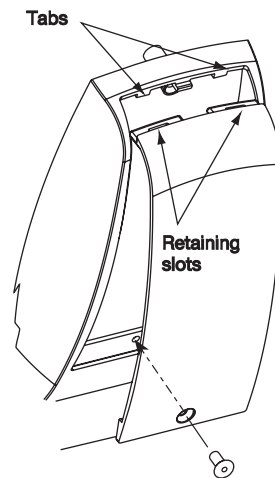


Fig. 13C

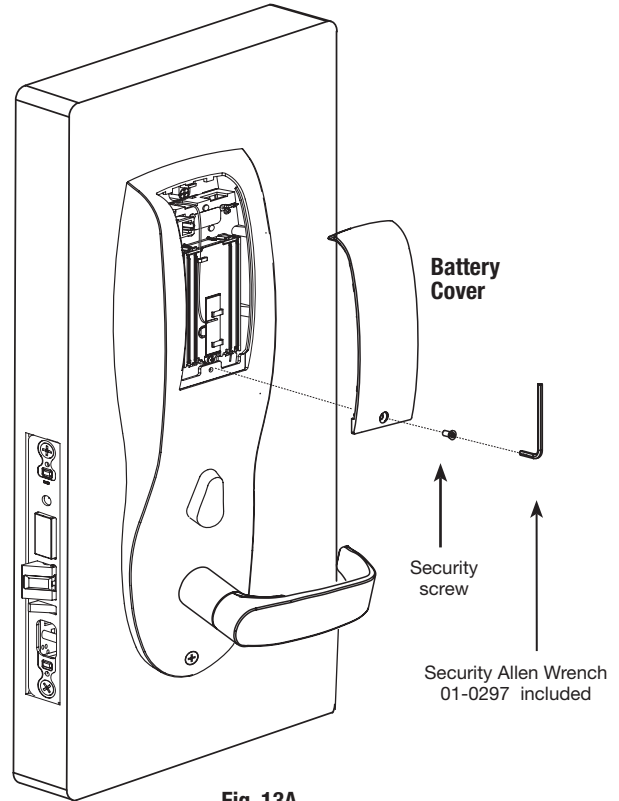


Fig. 13A

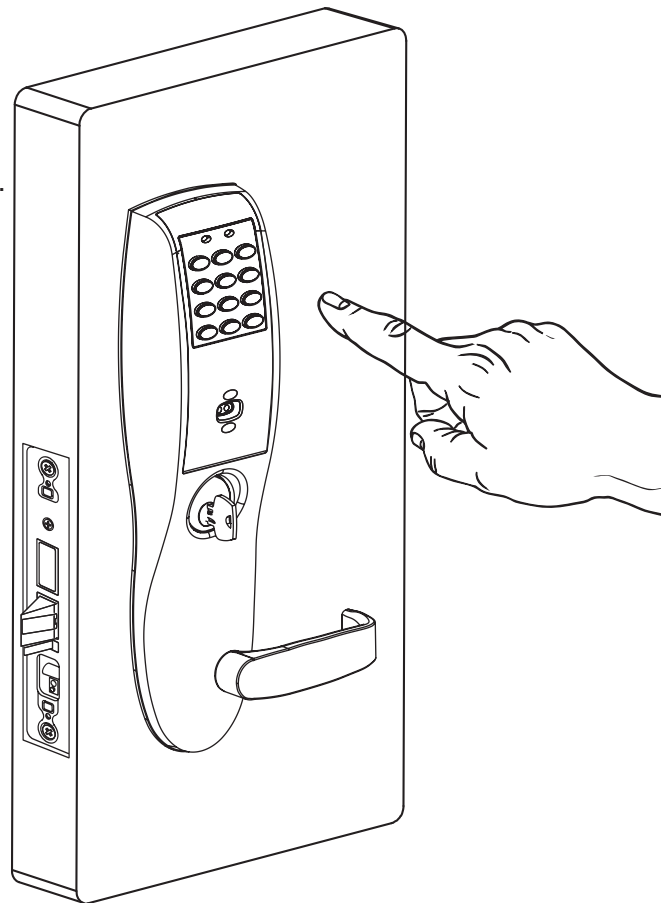
9 Operational Check

For 8276 and 8278 Function mortise locks with cylinders:

1. Insert key into cylinder and rotate (There should be no friction against lock case, wire harness or any other obstructions.
Refer to Section 7, Step 8 if harness friction exists).
2. The key will retract the latch.
Key should rotate freely.
3. If the deadbolt is thrown, the key will retract both the deadbolt and the latch.
4. Inside lever retracts latch and deadbolt (if provided).
5. Enter the code provided on keypad units
or present the prox card provided
for prox units.

This should unlock the outside lever
and allow the latch to be retracted.

Refer to the Network & Lock Configuration Tool
User Manual (WFCD1) for additional information.



SARGENT®

ASSA ABLOY

SARGENT Manufacturing
100 Sargent Drive
New Haven, CT 06511 USA
800-810-WIRE (9473) • www.sargentlock.com

Founded in the early 1800s, SARGENT® is a market leader in locksets, cylinders, door closers, exit devices, electro-mechanical products and access control systems for new construction, renovation, and replacement applications. The company's customer base includes commercial construction, institutional, and industrial markets.

Copyright © 2010, Sargent Manufacturing Company, an ASSA ABLOY Group company. All rights reserved. Reproduction in whole or in part without the express written permission of Sargent Manufacturing Company is prohibited.

ASSA ABLOY is the global leader in door opening solutions, dedicated to satisfying end-user needs for security, safety and convenience.

A7786E-10/10