



Excellence in Compliance Testing

Certification Exhibit

**FCC ID: U4A-YRHCPZB0
IC: 6982A-YRHCPZB0**

**FCC Rule Part: 15.247
IC Radio Standards Specification: RSS-210**

ACS Project Number: 12-0001

Manufacturer: Assa Abloy Inc.
Models: YRDZB, YRD210-ZB, YRD220-ZB, YRT210-ZB, YRT220-ZB

Manual – YRT210-ZB

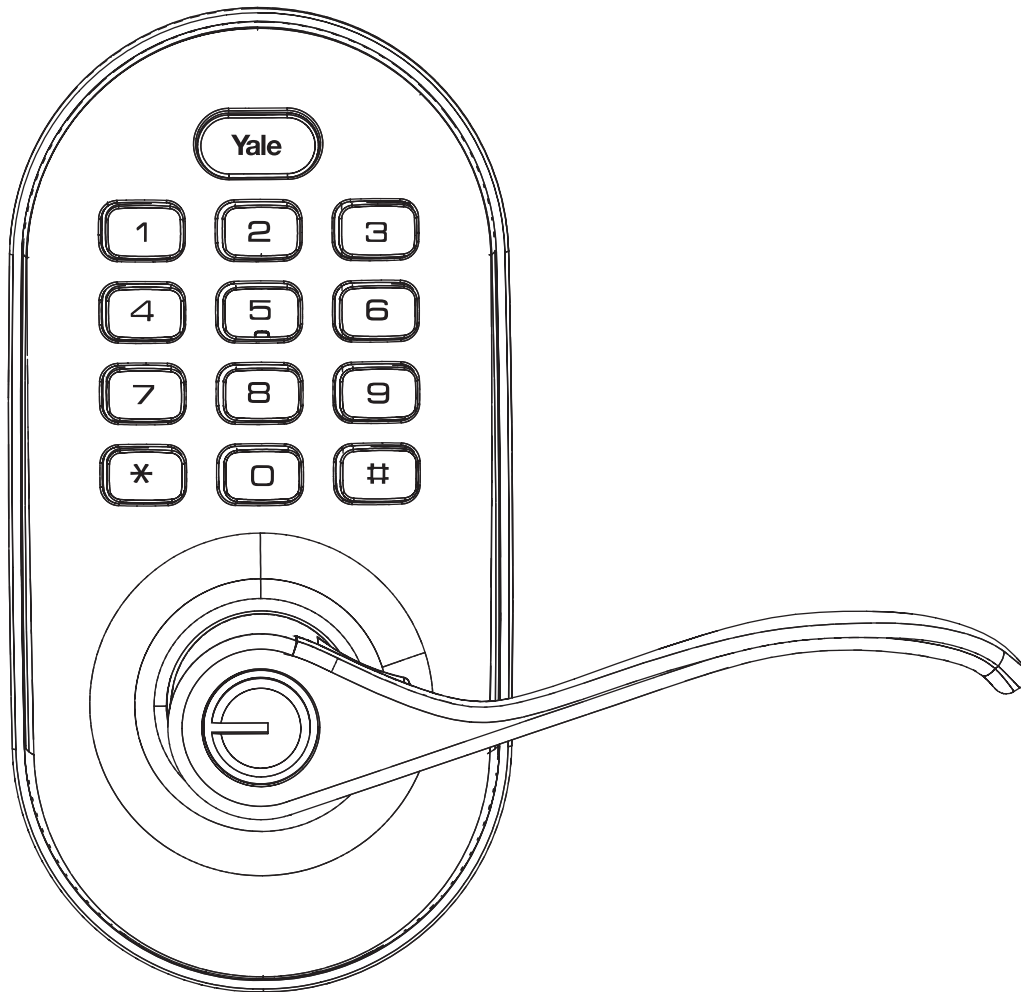


Yale Real Living™ Push Button Lever Installation and Programming Instructions



NOTE TO INSTALLER

FAILURE TO FOLLOW THESE INSTRUCTIONS
COULD RESULT IN DAMAGE TO THE PRODUCT
AND VOID THE FACTORY WARRANTY



For Technical Assistance call Yale at 1-800-810-WIRE (9473)

This document is available on our website in printed Spanish and French. Go to www.yalecommercial.com.
Click "Product Information & Documentation" and then "Installation Instructions".

Este documento está disponible en español en nuestra página de internet. Vaya a www.yalecommercial.com.
Presione "Información del Producto y Documentación" y luego "Instrucciones de Instalación".

Ce document est disponible sur notre site Web dans le français imprimé. Allez à www.yalecommercial.com.
Cliquez sur le " ; Information sur le produit et Documentation" et puis " Installation Instructions".

TABLE OF CONTENTS

Warnings	2
Return Lock to Factory Default	3
Introduction	3
Installation	
Components and Tools.....	4
Prepare Lock for Installation.....	5-6
Install Lock.....	6-11
Programming	
Programming Features-Menus-Keys-Definitions	12-13
Lock Operation	14-15
Miscellaneous Information	
Hardware Troubleshooting.....	17
Programming Troubleshooting	18
Installing the Network Module	19
Change Lever Handing	20-21
Installing/Replacing Cylinder	22
Sample Pin Code Management Sheets	23-24

WARNINGS

Warning: Changes or modifications to this device not expressly approved by Yale Security, Inc. could void the user's authority to operate the equipment.

IMPORTANT: The accuracy of the door preparation is critical for the proper functioning and security of this product. Misalignment can cause performance degradation and a lessening of security.

Finish Care: This lockset is designed to provide the highest standard of product quality and performance. Care should be taken to ensure a long-lasting finish. When cleaning is required use a soft, damp cloth. **Using lacquer thinner, caustic soaps, abrasive cleaners or polishes could damage the coating and result in tarnishing.**

FCC:

FCC ID: U4A-YRHCPZW0 (Z-Wave); U4A-YRHCPZB0 (Zigbee)

Model(s): YRT210-ZW, YRT210-ZB

This equipment has been tested and found to comply with the limits for a Class B digital device, pursuant to Part 15 of the FCC Rules. These limits are designed to provide reasonable protection against harmful interference in a residential installation. This equipment generates, uses, and can radiate radio frequency energy and, if not installed and used in accordance with the instructions, may cause harmful interference to radio communications. However, there is no guarantee that interference will not occur in a particular installation. If this equipment does cause harmful interference to radio or television reception, which can be determined by turning the equipment off and on, the user is encouraged to try to correct the interference by one or more of the following measures:

- Reorient or relocate the receiving antenna.
- Increase the separation between the equipment and receiver.
- Connect the equipment into an outlet on a circuit different from that to which the receiver is connected.
- Consult the dealer or an experienced radio/TV technician for help.

To reset the lock to factory default, see the following:

Reset Lock to Factory Default

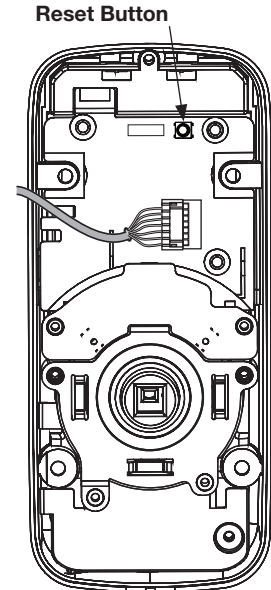
The following procedure returns the lock to its factory defaults by deleting all user codes (**including the Master PIN code***) and returning all programming features to their original default settings (see below).

1. Remove the batteries and then remove the inside escutcheon to access the reset button.
2. The reset button (see image at right) is located above the PCB cable connector.
3. Hold down the reset button for a minimum of 3 seconds and then reinstall the batteries; once the batteries are properly installed, release the reset button.

All features, including adjustable settings** (see below) should now be returned to factory default.

Upon reset, Master Code Registration is the only option available and **must be performed** prior to any other programming of the lock.

See "**Operation**" later in this manual for programming instructions.



Inside Escutcheon

Factory Default Settings

Settings	Factory Default
Master Code	Registration <i>required</i>
Auto Re-lock	Enabled
One Touch Re-Lock	Enabled
Audio	Enabled
Auto Re-lock Time	**30 Seconds
Wrong Code Entry Limit	**5 Times
Shutdown Time	**60 Seconds

**Adjustable only when using Network Module

Industry Canada:

Canadian ID: 6982A-YRHCPZW0 (Z-Wave); 6982A-YRHCPZB0 (Zigbee)
Model(s): YRT210-ZW, YRT210-ZB

This Class B digital apparatus meets all requirements of the Canadian Interference Causing Equipment Regulations. Operation is subject to the following two conditions: (1) this device may not cause harmful interference, and (2) this device must accept any interference received, including interference that may cause undesired operation.

Cet appareillage numérique de la classe B répond à toutes les exigences de l'interférence canadienne causant des règlements d'équipement. L'opération est sujette aux deux conditions suivantes: (1) ce dispositif peut ne pas causer l'interférence nocive, et (2) ce dispositif doit accepter n'importe quelle interférence reçue, y compris l'interférence qui peut causer l'opération peu désirée.

For the U4A-YRHCPZB0 and 6982A-YRHCPZB0, the following statement applies:

"This equipment complies with FCC/IC radiation exposure limits set forth for an uncontrolled environment. This equipment should be installed and operated with minimum distance 20cm between the radiator and your body. This transmitter must not be co-located or operating in conjunction with any other antenna or transmitter."

Section 7.1.2 of RSS-GEN Under Industry Canada regulations, this radio transmitter may only operate using an antenna of a type and maximum (or lesser) gain approved for the transmitter by Industry Canada. To reduce potential radio interference to other users, the antenna type and its gain should be so chosen that the equivalent isotropically radiated power (e.i.r.p.) is not more than that necessary for successful communication.

En vertu des règlements d'Industrie Canada, cet émetteur radio ne peut fonctionner avec une antenne d'un type et un maximum (ou moins) approuvés pour gagner de l'émetteur par Industrie Canada. Pour réduire le risque d'interférence aux autres utilisateurs, le type d'antenne et son gain doivent être choisies de façon que la puissance isotrope rayonnée équivalente (PIRE) ne dépasse pas ce qui est nécessaire pour une communication réussie.

Section 7.1.3 of RSS-GEN This Device complies with Industry Canada License-exempt RSS standard(s). Operation is subject to the following two conditions: 1) this device may not cause interference, and 2) this device must accept any interference, including interference that may cause undesired operation of the device.

Cet appareil est conforme avec Industrie Canada RSS standard exemptes de licence(s). Son fonctionnement est soumis aux deux conditions suivantes: 1) ce dispositif ne peut causer des interférences, et 2) cet appareil doit accepter toute interférence, y compris les interférences qui peuvent causer un mauvais fonctionnement du dispositif.

INTRODUCTION

The Yale Real Living™ Stand-alone Push Button Lever Lock combines a robust lockset with a contemporary electronic aesthetic.

Users benefit from an interactive Push Button keypad that makes day-to-day access effortless for simple updates to user information in the event of staffing changes or security breaches.

Yale Real Living™ is engineered for quick and easy installation and fits in place of a standard lever lock door prep (ANSI/BHMA A156.115).

If this is an RF-enabled network lock, it needs to be located within 50 - 100 feet of another network controller. That distance is influenced by objects between the lock and the controller and may be expanded depending on proximity to other RF network devices. Also, if the lock is connected to a network controller, it is recommended that it is programmed through the centralized user interface (PC or hand-held device) to ensure communication between the lock and the controller unit.

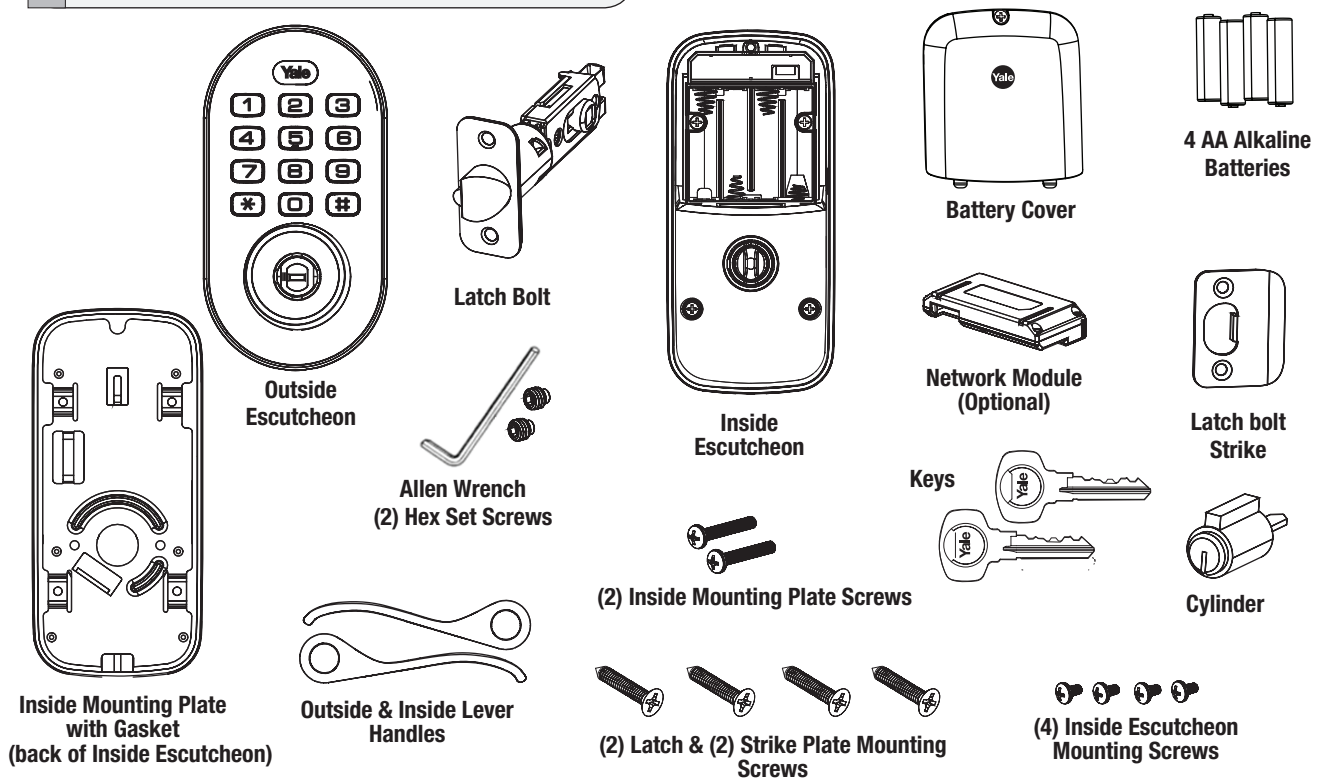
INSTALLATION

COMPONENTS AND TOOLS

Included in the box . . .

- Installation Instructions
- Template
- Latch Bolt
- Strike Plate
- Inside Mounting Plate (with gasket)
- Inside Escutcheon
- Outside Escutcheon
- (2) Screw Packs (see below)
- Keys
- Cylinder
- Battery Cover
- Allen Wrench
- 4 AA Alkaline Batteries

Parts Illustrations



Tools Needed

Door Prep

- 2-1/8" (54mm) hole saw
- 1" (26mm) boring bit
- 7/64" (2.5mm) drill bit
- Chisel & hammer

Lock Installation

- #2 Phillips screw driver
- Allen wrench (3mm) - provided

INSTALL LOCK

Install Latch

The lock is packed representative of how it will install on the door.

Before installing the lock on the door:

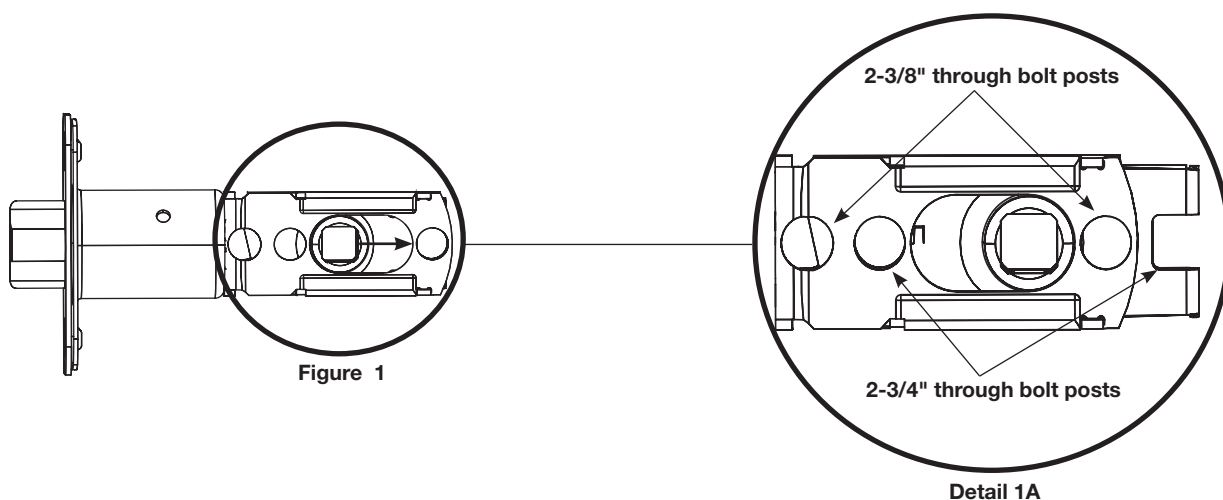
A. Remove the latch (Fig. 1) and strike plate from the packaging.

NOTE: Latch ships with backset in 2-3/8" position (Fig. 1).

Backset is the measurement from door edge to center of 2-1/8" diameter hole (see template supplied with lock).

If required, pull to extend to 2-3/4" backset position (Detail 1A).

NOTE: Different holes are used for (2) through bolts depending on backset (see Detail 1A).



NOTE: Make sure door has been prepped according to specifications in template included with lock.

NOTE: The latch bolt (and strike) can be installed in only one of two ways - with the bevel (slope) of latch facing out or facing in **while standing outside of the door**.

If the door opens **in**, the bevel will face the outside; if the doors opens **out**, the bevel will face in.

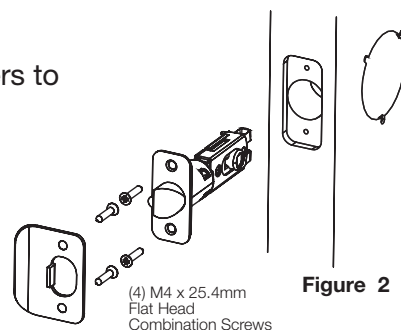
The strike plate is installed according to the orientation of the latch bolt. See Figures 1 & 2 for an example of a RH door that opens in.

NOTE: Both latch face and strike plate have adhesive-backed covers to prevent marring and should be removed upon installation.

B. Install latch bolt in door.

1. Attach with two (2) M4 x 25.4mm screws supplied.

C. Install strike on the door frame, using two (2) M4 x 25mm screws supplied, making sure to allow for the latch to be centered in the strike.



Install Outside Escutcheon

NOTE: The "tops" of both the square drive tube and the hub (in the shank) are **marked** to indicate their orientation for proper installation (Figures A & B).

Outside Escutcheon
(with gasket)

Outside of Door



Do not remove clip from Outside Escutcheon shank until correct handing has been determined and Outside Lever Handle is to be installed.

(See page 9)

1. From outside of door, position the outside escutcheon by first routing the cable through 2-1/8" diameter hole and **under** the latch (Fig. 3A & B), then insert posts* and tailpiece into the latch.

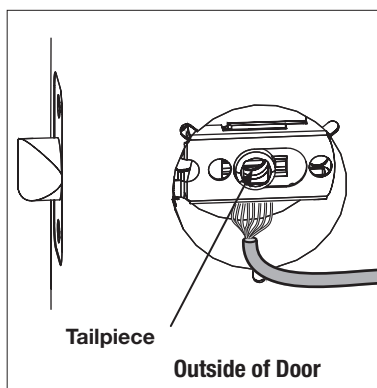


Figure 1A

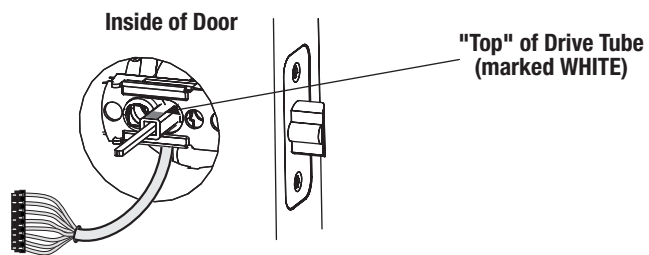


Figure 1B



NOTE: Cable goes **under** latch (Fig. 1A & 1B).

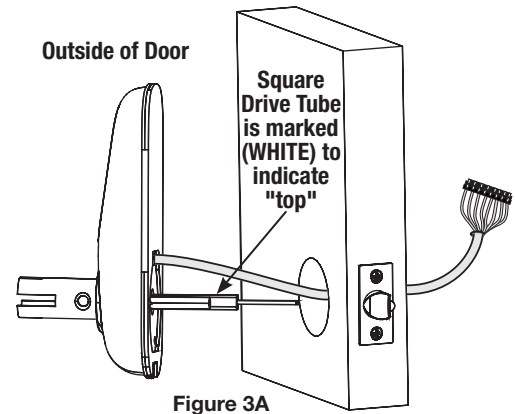
*Posts are inserted in holes according to backset adjustment. (Refer back to Detail 1A under "Install Lock")

3. Install outside escutcheon.

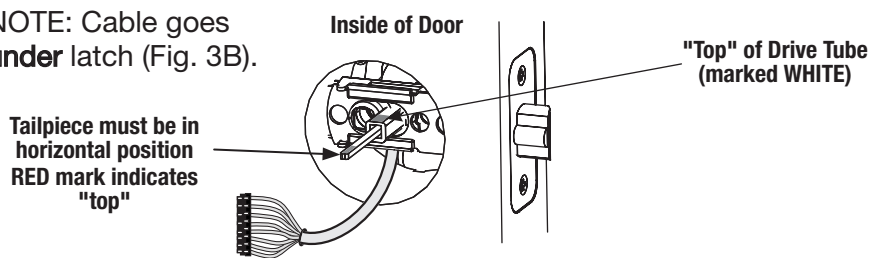
- A. Position the outside escutcheon by routing the cable through 2-1/8" diameter hole (Fig. 3A), under the latch.

NOTE: The "tops" of both the square drive tube and the tailpiece it contains are **marked** to indicate their proper orientation (Fig. 3A & 3B).

- B. Ensure tailpiece is oriented in the horizontal position (Fig. 3B) and insert tailpiece through center of latch so that outside escutcheon is flush to the surface of the door.



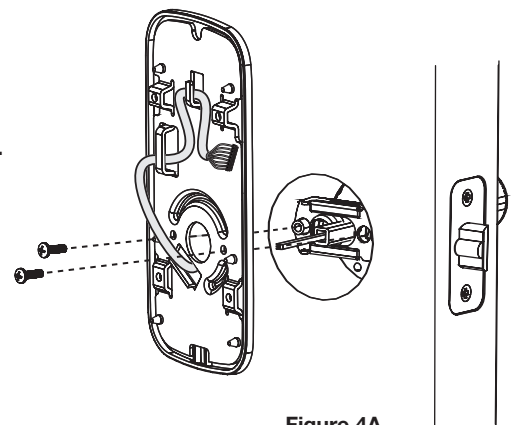
NOTE: Cable goes **under** latch (Fig. 3B).



4. Holding the outside escutcheon flush to the door, position the inside mounting plate by routing the cable/connector through the mounting plate's 1/2" rectangular hole below center hole and then route through left upper slot, then behind center rib (Fig. 4A).

5. Secure both assemblies using (2) M4 x 25mm pan head machine screws (Fig. 4A).

Ensure that outside escutcheon is vertically aligned.
Tighten securely with a #2 Phillips screwdriver.
Do not over-tighten.



6. Attach cable assembly to the inside escutcheon printed circuit board (PCB) by lining up notches on top of cable connector to slots on PCB connector (Fig. 6A & 6B).

Press connector in firmly using thumbs until completely seated (properly seated position indicated by arrows on PCB as in Fig. 6A and 6B).

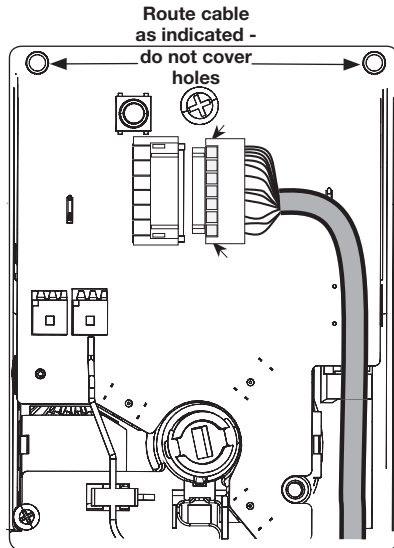


Figure 6A

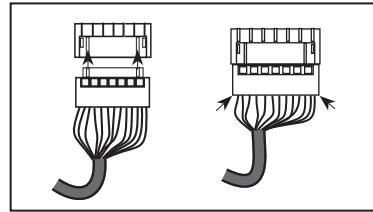


Figure 6B

CAUTION:

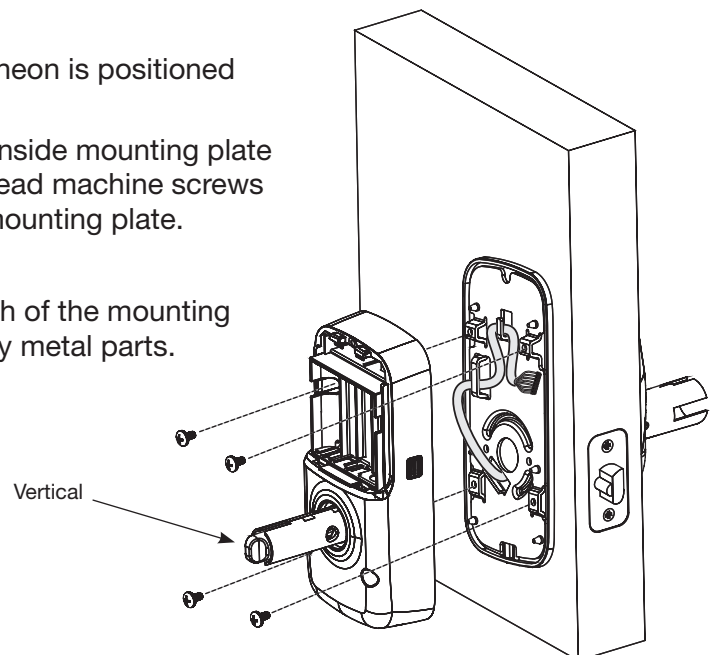
Use care when assembling to ensure that the cable lies against the back recessed area of the inside escutcheon (Fig. 6A).

Position and bend cable, as shown in Fig. 6A to prevent binding when installing the escutcheon over the mounting plate.

7. Install inside escutcheon:

- A. Ensure that thumb turn on inside escutcheon is positioned vertically (Fig. 7).
- B. Install and secure inside escutcheon to inside mounting plate using (4) M4 x 8mm [8-32 x 5/16"] pan head machine screws through the inside escutcheon into the mounting plate.

NOTE: Make sure cable does not obstruct path of the mounting screws and is not being pinched by any metal parts.



Determine Lever Handing

Before proceeding with the next step, determine that the handing of the lever is correct.

- Both outside and inside lever handles should always point toward the door hinges.



Right Hand Reverse: Hinges on right, opens outward. For handed locks, specify RHR.



Left Hand Reverse: Hinges on left, opens outward. For handed locks, specify LHR.



Right Hand: Hinges on right, opens inward. For handed locks, specify RH.



Left Hand: Hinges on left, opens inward. For handed locks, specify LH.

8. Attach outside lever handle to the outside escutcheon:

- A. Once correct handing is determined, remove the clip from the shank (Fig. 8A) that has held the hub in its correct position.



Do not rotate cam from its original position.

- B. Install hex set screw

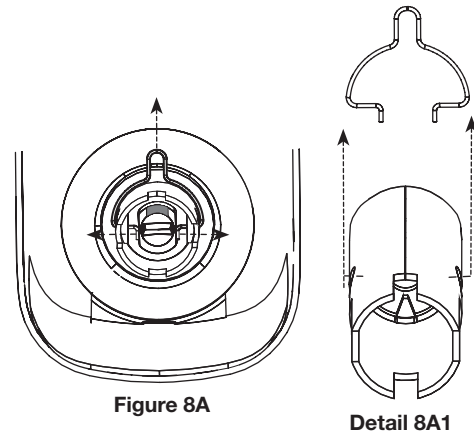


Figure 8A

Detail 8A1

NOTE: For correct lever handing, the hex set screw for the outside lever shank must be installed as shown (Fig. 8B).

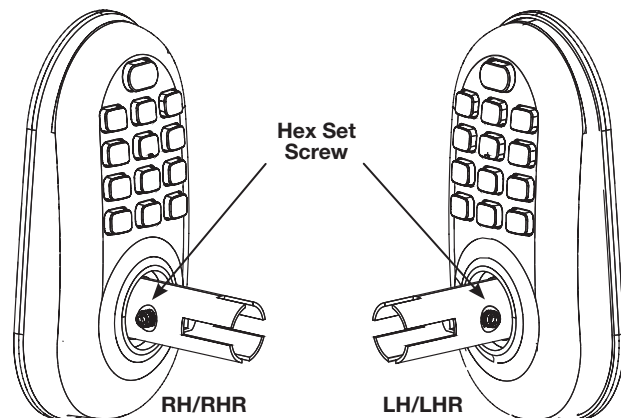


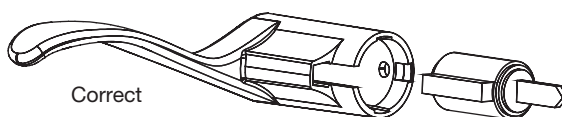
Figure 8B

RH/RHR

LH/LHR

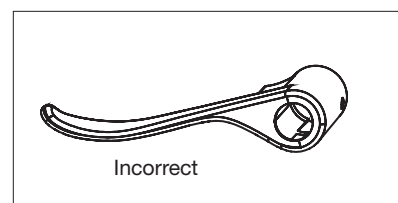
- C. Install cylinder in outside lever as indicated (Fig. 8C).

Note correct "swoop" of lever handle (Fig. 8C)



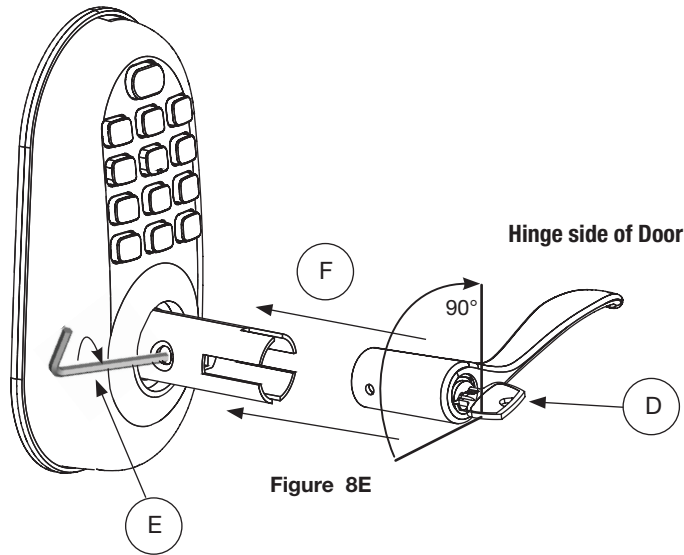
Correct

Figure 8C

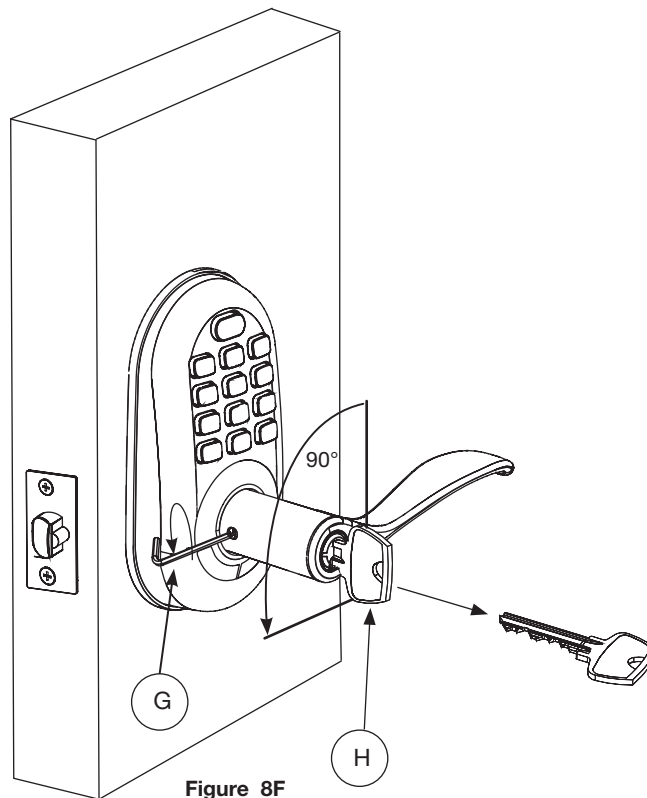


Incorrect

- D. Insert key in cylinder (outside lever handle); rotate key 90° **clockwise** (Fig. 8E).
- E. Insert allen wrench (included) in set screw on side of shank (toward edge of door); turn **clockwise** to allow placement of lever handle over shank; do not overtighten.
- F. Push lever handle/key/cylinder in until hole on handle aligns with set screw.

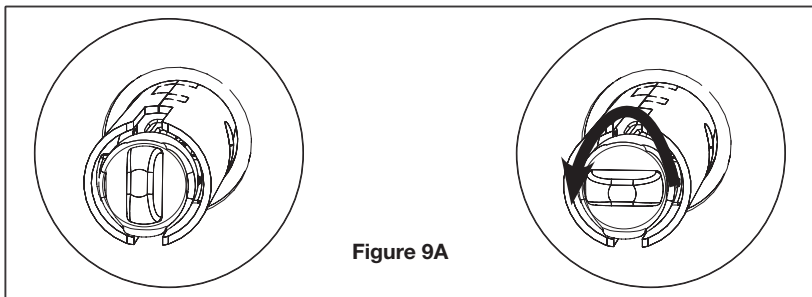


- G. Insert allen wrench and **tighten** set screw by turning **counter-clockwise** (Fig. 8F).
- H. Turn key 90° **counter-clockwise**; pull to remove key and test operation of lever handle, ensuring that the latch moves smoothly.

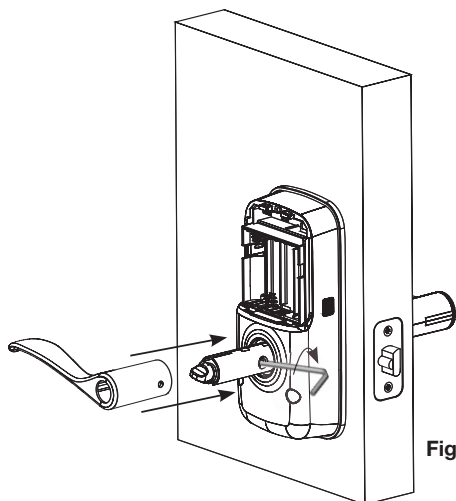


9. Attach inside lever handle:

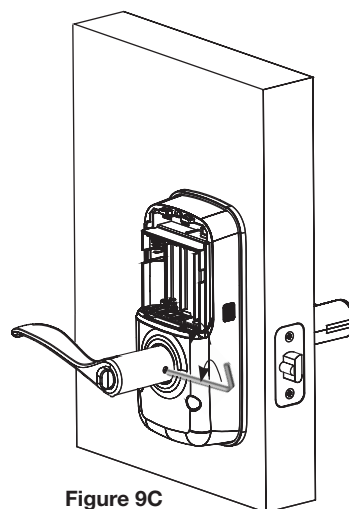
A. Rotate thumbturn counter-clockwise to horizontal position (Fig. 9A).



B. Insert allen wrench (included) in set screw on side of shank (toward edge of door); turn **clockwise** to allow placement of inside lever handle over shank.



C. Turn set screw **counter-clockwise** to tighten.



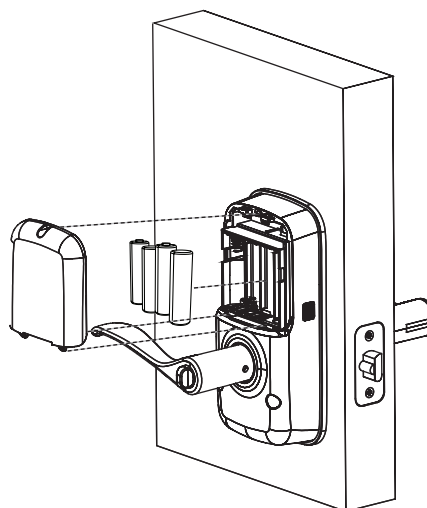
IMPORTANT: Before installing the batteries, test the **mechanical** operation of lock by rotating the outside and inside lever handles. Also try using both the thumbturn and key. The movement of the latch should be smooth and unobstructed.

If operation is not smooth, review the previous steps to ensure proper installation, while maintaining proper alignment of escutcheons.

10. Insert four (4) AA alkaline batteries; the lock will flash and beep several times..

11. *Note: Refer to programming instructions prior to completion of this step.*

Install battery cover and tighten Phillips head screw.

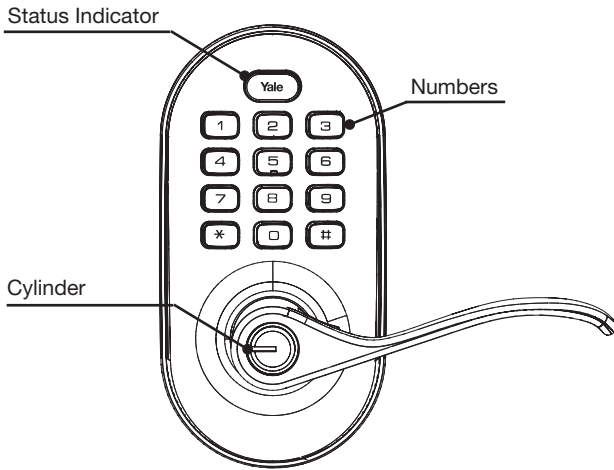


PROGRAMMING

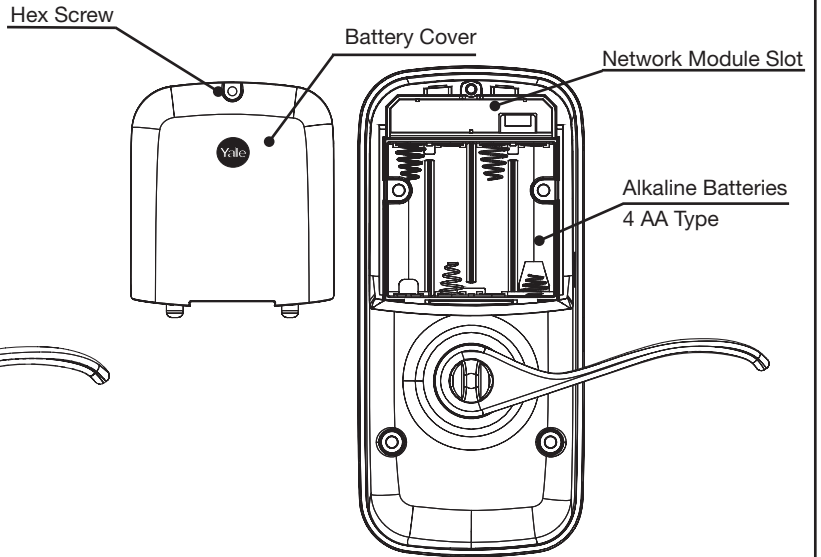
Programming Features-Menus-Keys-Definitions 12-13
 Operation..... 14-15

PROGRAMMING FEATURES - MENUS - KEYS - DEFINITIONS

Outside



Inside



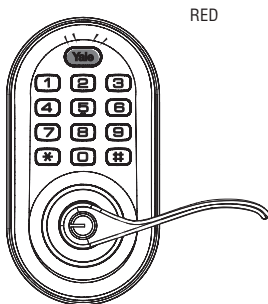
Menu and Icons Used in This Guide

	Click the indicated number.		Enter Master PIN code* (4-8 digits in length).
	Press the Star key on the keypad to Enter or Accept entry.		Enter User PIN. Can be 4-8 digits in length.
	Press the Pound key on the keypad to enter Menu mode.		User Number (1 - 25); RF Controlled (1 - 250).

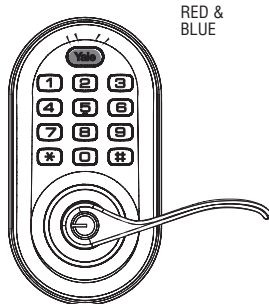
*The Master Pin Code must be registered prior to any further programming of the lock.

Status Indicators

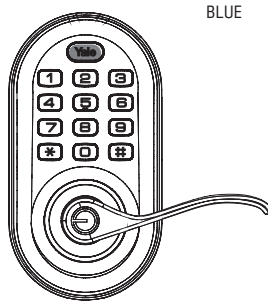
1 Low Battery Warning



2 Lockout Mode



3 Return to previous step



Definitions

Lockout Mode: This feature is enabled by the Master code. When enabled, it restricts all user PIN code access. When attempting to enter a code while the unit is in Lockout, the Status Indicator flashes RED and BLUE; the keypad flashes as well.

Low Battery: When battery power is low, the Status Indicator flashes RED. If battery power is completely lost, use the key override.

Master PIN Code: The Master code is used for programming and for feature settings.

NOTE: The Master Pin Code must be registered prior to programming the lock. The Master code will also operate the lock.

Auto Re-Lock Time: After successful code entry and the unit unlocks, it will automatically re-lock after a default of thirty (30) seconds. Re-lock time is adjustable from five (5) to thirty (30) seconds.

One Touch Re-Lock: When the bolt is retracted, activating the keypad will extend the bolt (during Auto Re-Lock duration or when Auto Re-Lock is disabled).

Shutdown Time: The unit will shutdown for a default of sixty (60) seconds and not allow operation after the wrong code entry limit has been met. When the unit is in Shutdown, the Status Indicator flashes RED and BLUE; the keypad flashes as well.

Audio Mode: Choosing **Disable (3)** in Audio mode shuts off the code confirmation tone playback for use in quiet areas. Audio mode is enabled or disabled through feature programming by the Master code.

Status LED: Located on inside escutcheon.

User PIN Code: The User code operates the lock. Maximum number of user codes is 250 with Network Module; without Network Module, maximum is 25 user codes.

Wrong Code Entry Limit: After a specified number of unsuccessful attempts at entering a valid PIN code the unit will shut down and not allow operation. Wrong code entry limit is adjustable from three (3) to ten (10) times through feature settings (up to 5 times with no RF network enabled - default is 5; 10 with RF network enabled).

Factory Default Settings

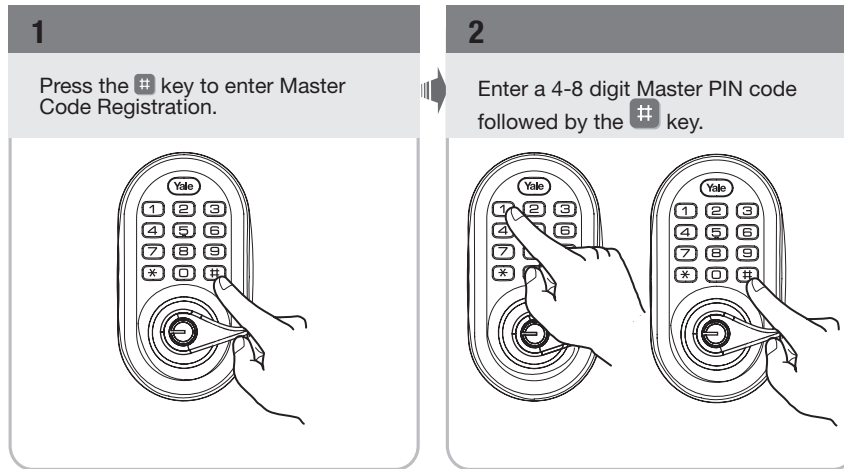
Settings	Factory Default
Master Code	Registration <i>required</i>
Auto Re-lock	Enabled
One Touch Re-Lock	Enabled
Audio	Enabled
Auto Re-lock Time	**30 Seconds
Wrong Code Entry Limit	**5 Times
Shutdown Time	**60 Seconds

*Adjustable with Network Module

OPERATION

Register Master Code Before Programming*

1. Press the **#** key to enter **Master Code Registration**.
2. Enter a 4-8 digit Master PIN code followed by the **#** key.



PIN code structure

Maximum number of user codes is 250 with Network Module; without Network Module, maximum is 25 user codes.

User Pin Code Registration

User Codes can only be programmed through the Master Code*.

1. Enter the 4-8 digit Master PIN code followed by the **#** key.
2. Enter **2** followed by the **#** key.
3. Enter the User number to be registered (1-25) followed by the **#** key.
4. Enter a 4-8 digit PIN code for the User number followed by the **#** key.

Note: When registering User codes, the code must be entered within 20 seconds. If time expires, no codes are registered and the process must be re-started.

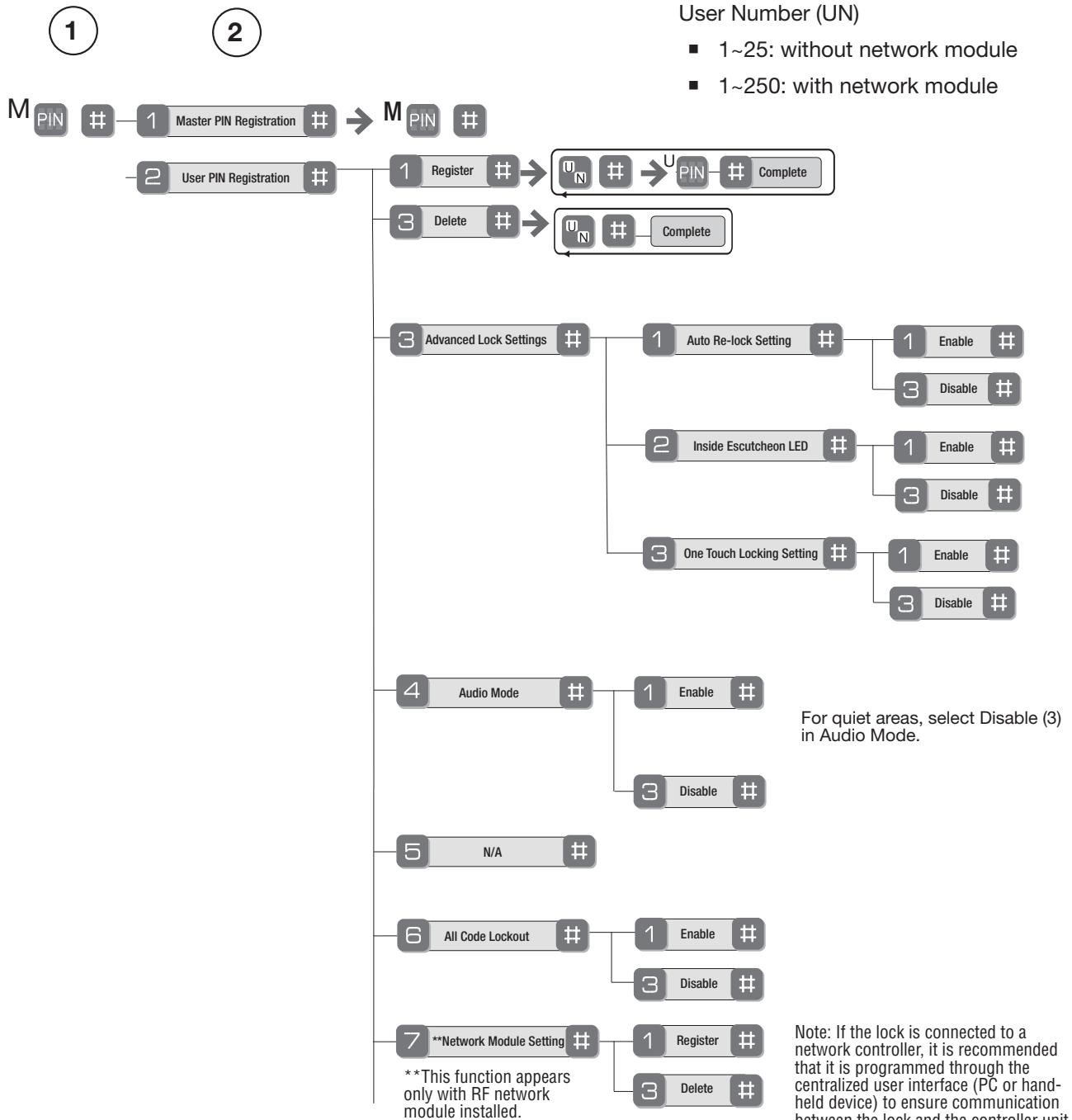
*Master PIN Code must be registered prior to programming the lock.

Feature Programming Through Menu Mode Using Master PIN code*

1. Enter the 4-8 digit Master PIN code followed by the **#** key.
2. Enter digit corresponding to the function to be performed followed by the **#** key.

Note: If the lock is connected to a network controller, it is recommended that it is programmed through the centralized user interface (PC or hand-held device) to ensure communication between the lock and the controller unit.

*The Master PIN code must be *registered* prior to programming of the lock.



Open Door with PIN Code

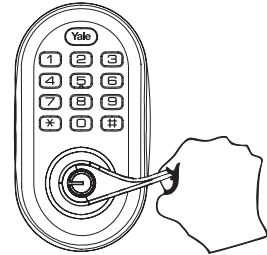
1
Enter PIN code.



2
Complete the code entry
by pressing the * key.



3
Unlock.



MISCELLANEOUS

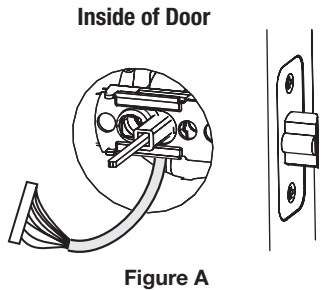
Hardware Troubleshooting..... 17
 Programming Troubleshooting 18
 Installing the Network Module 19
 Change Lever Handing 20-21
 Replace/Install Cylinder22
 Sample Pin Code Management Sheets 23-24

TROUBLESHOOTING

Hardware Troubleshooting

Cycle the lock in both the locked and the unlocked positions. If problems are found:

Symptom	Suggested Action
Door is binding	a. Check that door and frame are properly aligned and door is free swinging. b. Check hinges: They should not be loose or have excessive wear on knuckles.
Latch bolt will not deadlock	a. Check for sufficient clearance of the latch bolt within the strike-side jamb. Correct this by increasing the depth of the pocket for the latch bolt. b. Check for misalignment of latch bolt and/or strike which may be preventing latch bolt from properly entering the strike. With the door open, extend and retract the latch bolt; if it is smooth, check the strike alignment.
Latch bolt does not extend or retract smoothly	a. Latch bolt and strike are misaligned, see above. b. Check the backset of door relative to adjustments already made to latch bolt. c. Verify proper door preparation and re-bore holes that are too small or misaligned. d. Verify keypad cable/connector is routed under the latch bolt (see Fig. A). e. Verify latch bolt is installed with correct side up (Fig. A).



Programming Troubleshooting

Symptom	Suggested Action
Lock does not respond – door is open and accessible.	<ul style="list-style-type: none"> Press each keypad button to see if they respond when pressed. Check batteries are installed and oriented correctly (polarity) in the battery case. Check batteries are in good condition; replace batteries* if discharged. Check to see if cable is fully connected and not pinched.
Lock does not respond – door is locked and inaccessible.	<ul style="list-style-type: none"> Batteries may be completely discharged. <ul style="list-style-type: none"> Use mechanical key to gain entry and replace batteries*.
Unit chimes to indicate code acceptance, but the door will not open.	<ul style="list-style-type: none"> Check to see if there is another locking device on the door. Check the door gaps for any foreign objects between door and frame. Check that the cable is firmly connected to the PC board.
Unit operates to allow access, but will not automatically re-lock.	<ul style="list-style-type: none"> Check to see if Auto Re-lock Mode is enabled. <ul style="list-style-type: none"> Disable Auto Re-lock Mode to lock the door (automatically). If low battery indicator is lit (see below), change batteries*.
PIN codes will not register.	<ul style="list-style-type: none"> PIN codes must consist of 4 to 8 digits to register. The same PIN code cannot be used for multiple users. Registration/management of PIN codes is set by the authority of the Master Code. <ul style="list-style-type: none"> Contact the Master user User codes must be entered within 20 seconds or the process will have to be restarted. The star * (*) or pound # (#) cannot be used as part of the PIN code.
Upon entering a PIN code and pressing the star (*) key, the lock gives a series of beeps, flashes red and blue LEDs seven times, and does not unlock.	<ul style="list-style-type: none"> Lockout Mode is enabled. Only the Master can enable/disable Lockout Mode. <ul style="list-style-type: none"> Contact the Master user.
Upon entering a PIN code and pressing the (*) key, there are different tones.	<ul style="list-style-type: none"> Check to see if the lock is set to Lockout Mode. Setting/managing Lockout Mode is done through Master Code only. Contact the Master user.
The unit operates, but it makes no sound.	<ul style="list-style-type: none"> Enable Audio Mode.
The unit displays intermittent RED flashes.	<ul style="list-style-type: none"> This is the Low Battery indicator alerting that it is time to replace the batteries. Replace all four (4) batteries* with new AA Alkaline batteries.
Upon entering a PIN code and pressing the star (*) key, the unit responds with a series of beeps and the keypad flashes three times.	<ul style="list-style-type: none"> The digits entered were incorrect or incomplete. Re-enter the correct code followed by the star * key.

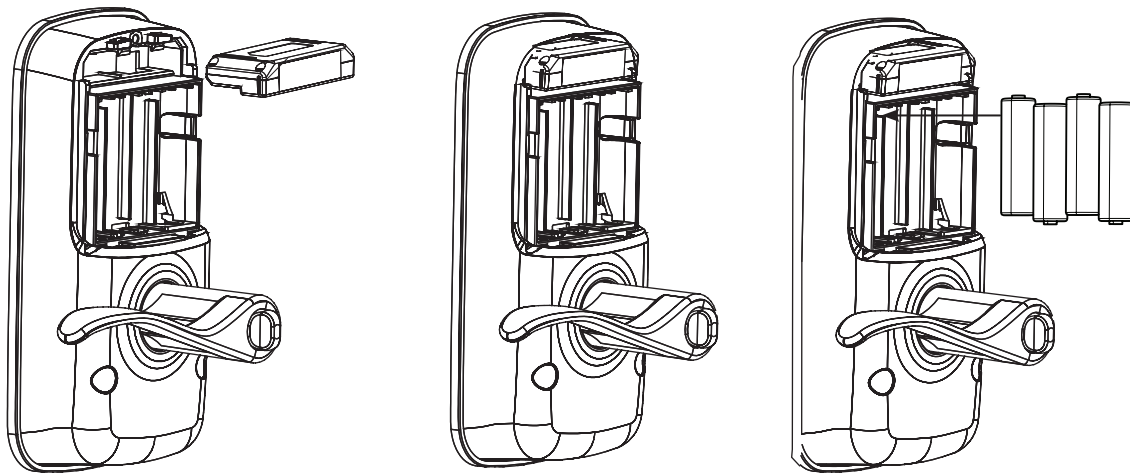
* When batteries are replaced, Network Module locks have a real time clock that will be set through the User Interface; it is recommended to verify correct date and time particularly those locks operating under Daylight Saving Time (DST).

** Network module units only

Installing the Network Module

IMPORTANT: The batteries must be removed prior to removing and/or inserting the network module:

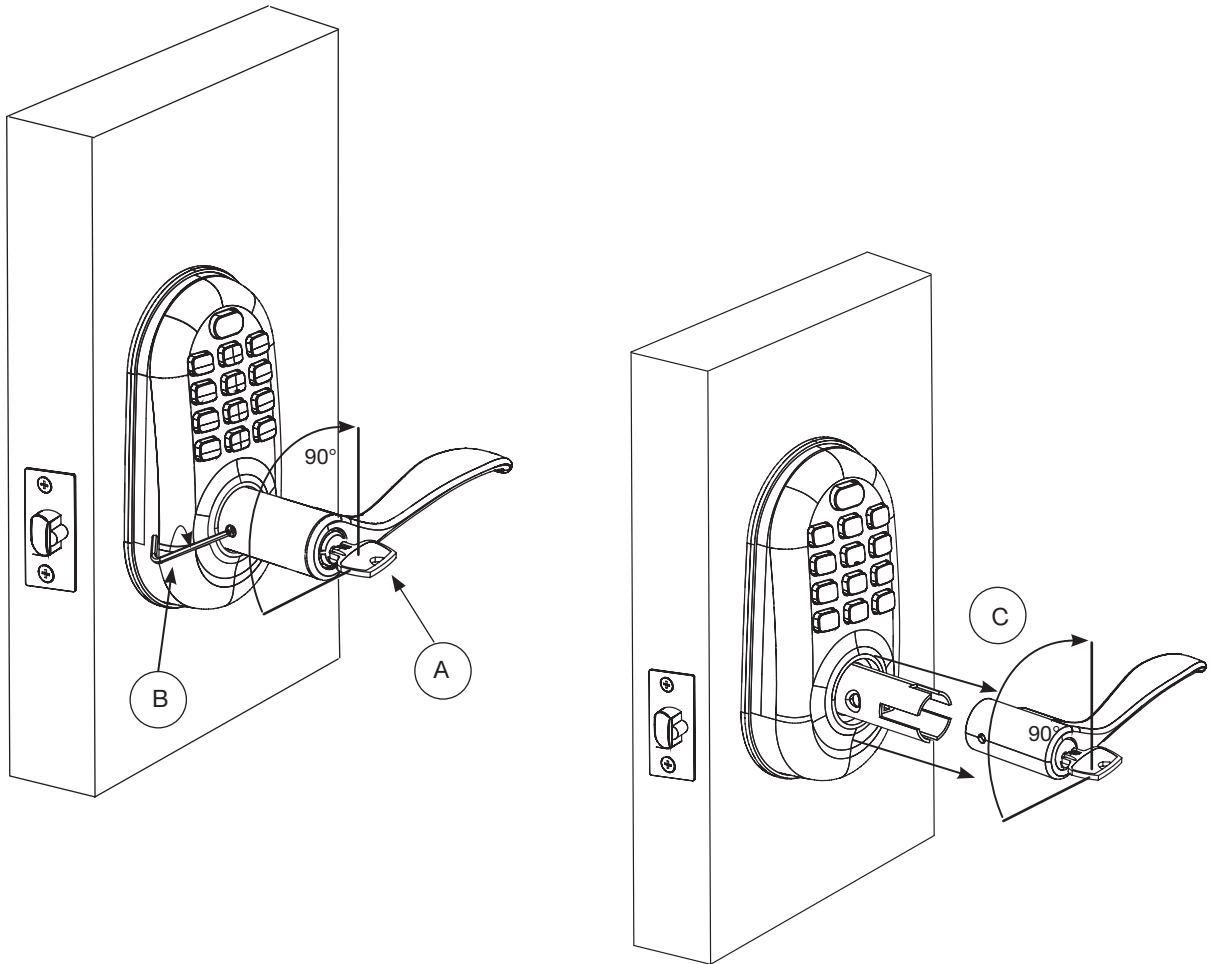
- Remove batteries
- Remove and/or insert network module
- Reinstall batteries



Use Feature Programming step 7 (page 15) for enrollment of the Network Module.

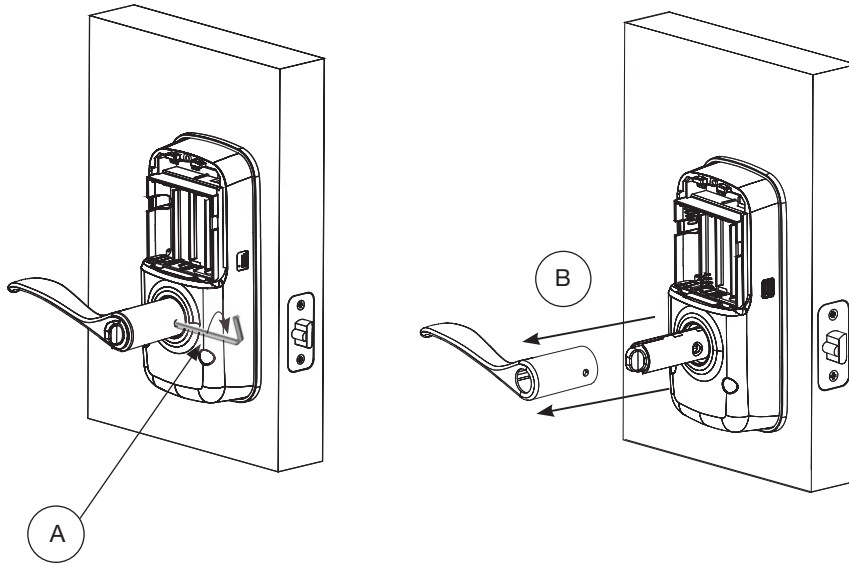
How to Change Handing of Lever (Reverse Levers)

1. Remove the outside lever handle:
 - A. Insert key in cylinder (outside lever handle); rotate key 90° clockwise.
 - B. Insert allen wrench (included) in set screw on side of lever (toward edge of door); turn **clockwise** to loosen lever handle.
 - C. Pull to remove lever handle/key/cylinder.



2. Remove the inside lever handle:

- A. Insert allen wrench (included) in set screw on side of lever (towards edge of door); turn **clockwise** to loosen handle.
- B. Pull to remove lever handle.



3. Change the lever handing:

- A. Remove and switch handles (inside to outside, outside to inside).
- B. Remove cylinder from outside lever handle.
- C. Insert cylinder in "new" outside lever (Fig. 3A).
- D. Push handle in allowing holes for set screw to align.
- E. Insert set screw and **tighten lever handle by turning set screw counter-clockwise**.

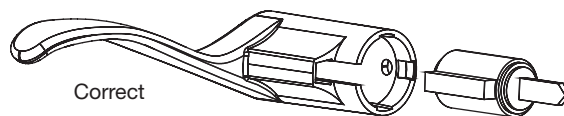


Figure 3A

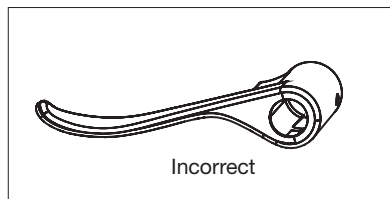


Figure 3B

NOTE: "Sloop" of lever handle must be oriented in upward direction as shown in Fig. 3A

How to Replace or Install Cylinder

1. Remove cylinder:
 - A. Repeat previous steps for removing the outside lever handle.
 - B. Remove cylinder.

2. Install new cylinder:
 - A. Insert cylinder in "new" outside lever.
 - B. Push handle in allowing holes for set screw to align.
 - C. Insert set screw and **tighten by turning set screw counter-clockwise.**
 - D. Verify that new cylinder fits and rotates freely.
 - E. Test operation of the new cylinder/key.

PIN CODE MANAGEMENT SAMPLE SHEETS

PIN Code Management (No Network Module - Up to 25 Users)

Location:		Door Number:		User	User Name	User #	PIN Code
User Type	User Name	User #	PIN Code				
Master				User 13			
User 01				User 14			
User 02				User 15			
User 03				User 16			
User 04				User 17			
User 05				User 18			
User 06				User 19			
User 07				User 20			
User 08				User 21			
User 09				User 22			
User 10				User 23			
User 11				User 24			
User 12				User 25			

ONLINE LITERATURE AND TEMPLATES

For the latest information on Yale products visit our website at www.yalelocks.com. Click on the “Literature” button to find the most up-to-date catalogs, parts manuals, templates, specifications and installation instructions.

Yale Locks & Hardware

100 Yale Avenue, Lenoir City, TN 37771 • Product Support Tel 800.810.WIRE (9473) • www.yalelocks.com

Yale Locks & Hardware is a division of Yale Security Inc., an ASSA ABLOY Group company.

Yale® is a registered trademark of Yale Security Inc., an ASSA ABLOY Group company. All rights reserved. Yale Real Living™ is a trademark of Yale Security Inc., an ASSA ABLOY Group company. All rights reserved. Reproduction in whole or in part without express written permission of Yale Security Inc., an ASSA ABLOY Group company is prohibited.

YALE, with its unique global reach and range of products, is the world’s favorite lock — the preferred solution for securing your home, family and personal belongings.

ASSA ABLOY is the global leader in door opening solutions, dedicated to satisfying end-user needs for security, safety and convenience.