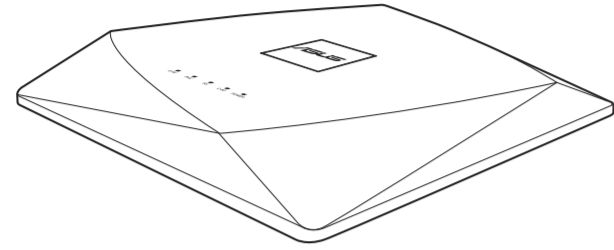


BAP-AC1750

Quick Start Guide



Package contents

- 1 x BAP-AC1750
- 1 x BAP mounting bracket
- 1 x DC adapter (12V/2A)
- 1 x Quick Start Guide
- 1 x VIP card
- Mounting accessories
 - 4 x Truss head machine screws (Ø4mm)
 - 4 x Jam nuts
 - 4 x Flat washers
- Extra accessories
 - 4 x Round head drywall screw (Ø3mm)
 - 4 x M.6 plastic anchors (Ø6.5mm)

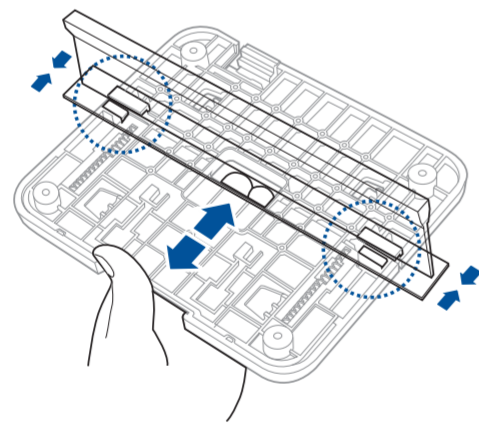
NOTE: If any of the items is damaged or missing, contact ASUS for technical inquiries and support.

Mounting to the ceiling

You can mount your BAP-AC1750 to the ceiling either on the ceiling tile rail (T-bar) or on the ceiling tile.

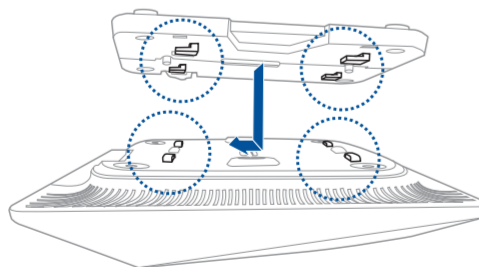
On the T-bar rail

- On the installed T-bar rail on the ceiling, install the bundled bracket through the T-bar holder. The AP weight is sustained by the clamp.

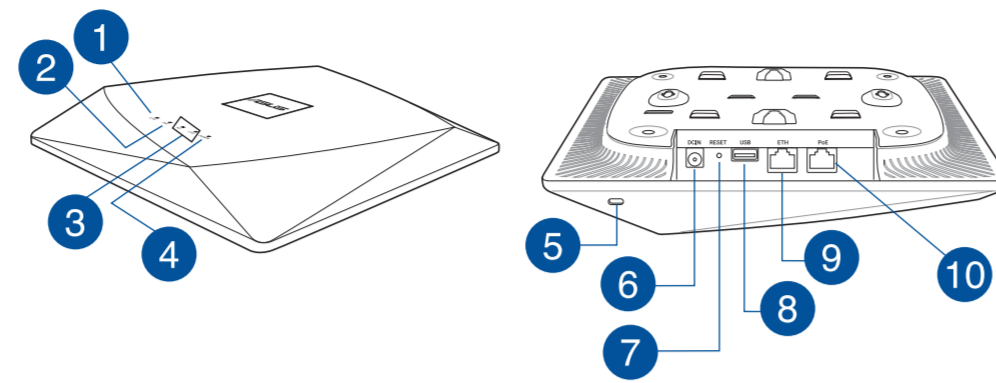


NOTE: The bundled bracket supports the T-bar width up to 24mm.

- Install your BAP-AC1750 into the bracket.



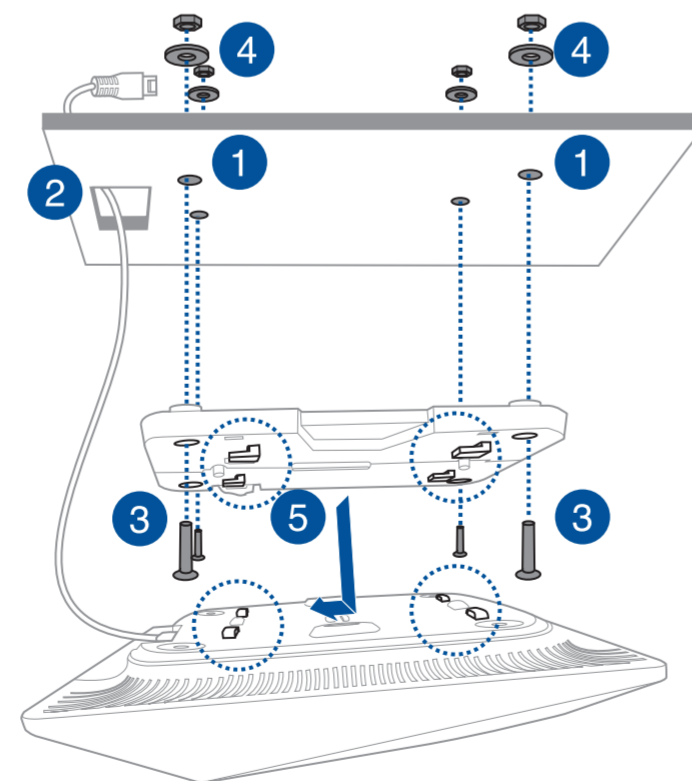
Hardware features



- Ethernet LED**
Solid green: Ethernet cable is connected, but no data transmission.
Quick flashing green: Ethernet cable is connected, and data is transmitting.
- PoE LED**
Solid green: Ethernet cable is connected, but no data transmission.
Quick flashing green: Ethernet cable is connected, and data is transmitting.
- 5GHz / 2.4GHz LED**
Solid green: Wi-Fi is ready.
Quick flashing green: Transmitting or receiving data via Wi-Fi connection.
- Power LED**
Solid green: BAP-AC1750 is ready.
Slow flashing green
 - BAP-AC1750 is trying to reach the access controller.
 - BAP-AC1750 is updating its firmware.
 - BAP-AC1750 is resetting to its default settings.**Quick flashing red**
 - BAP-AC1750 is either in an uninitialized state, or cannot reach the access controller.**NOTE:** When power LED is off and all the other LEDs are solidly lit up, this indicates that the controller daemon (CAPWAP) crashed.
- Kensington security slot**
 Insert a Kensington lock into this hole to keep your BAP-AC1750 safe.
- Power (DC-IN) port**
 Insert the bundled DC adapter into this port and connect to a power source.
- Reset button**
 This button resets or restores the system to its factory default settings.
- USB port**
 Insert a USB device such as a USB flash drive into the port.
- Ethernet (LAN) port**
 Connect a network cable into this port to establish Ethernet connection.
- PoE port**
 Insert a network cable into this port to establish Ethernet connection and provide DC power input.

On the ceiling tile

- When the T-bar width is more than 24mm or has a reveal edge treatment, drill four holes on the tile.
- Cut about 25 mm rectangular hole on the tile for the Ethernet cable feed.
- Attach the bracket to the tile with the four bundled truss head machine screws.
- Tighten the bracket to the tile with the four bundled jam nuts and flat washers.
- Align and install your BAP-AC1750 into the bracket.



Hardware installation

Requirements

- CAT5e network cable or better
- Drill and drill bit (6.5mm for wall-mounting or 4mm for ceiling-mounting)
- Optional: Drywall or keyhole saw (to cut 25mm hole for the Ethernet cable feed)

Guidelines

Follow these guidelines to get the maximum coverage:

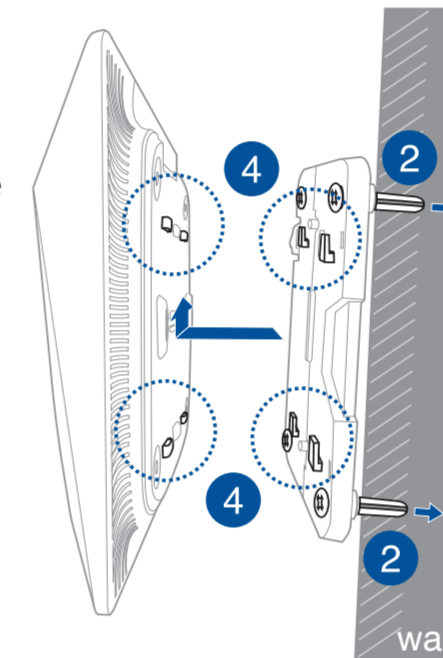
- Place your BAP-AC1750 in a centralized area.
- Do not install your BAP-AC1750 near metal objects such as heating ducts, metal doors, or electric service panels.
- If you are installing more than one BAP-AC1750, place them about 80 feet apart.
- When you install your BAP-AC1750 on a pole, the coverage is 180 degrees.

NOTE: Do not mount two BAP-AC1750s back to back on a pole to achieve a 360 degrees coverage. The two BAP-AC1750 could interfere with each other.

Mounting options

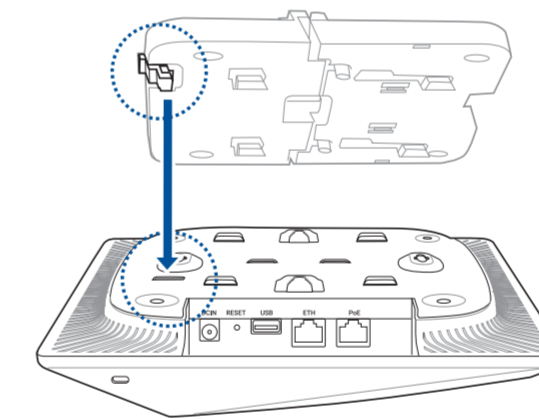
Mounting your BAP-AC1750 to the bracket and to the wall

- Drill four 6.5mm holes on the wall.
- Place four 6.5mm M6 plastic anchors in the four holes.
- Tighten the bracket to the wall with four 3mm round head drywall screws.
- Align and install your BAP-AC1750 into the bracket.



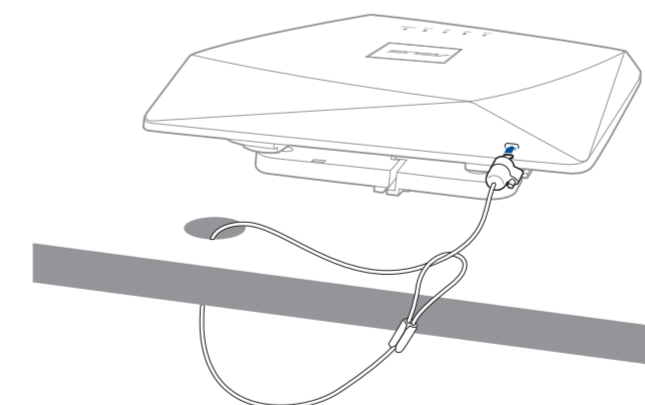
Unmounting your BAP-AC1750

Press the notch on the bracket to unmount your BAP-AC1750.



Securing your BAP-AC1750

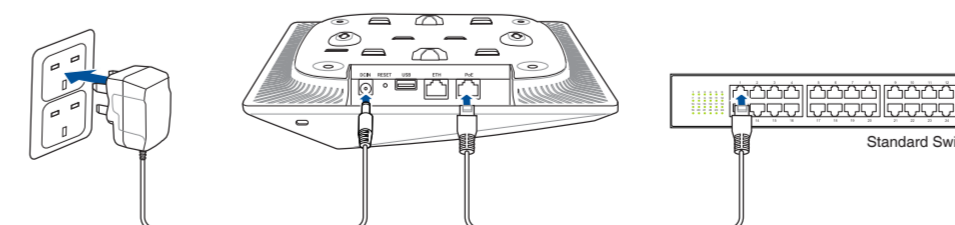
- Locate the Kensington security slot on your BAP-AC1750.
- Insert a Kensington lock into the security slot and secure it to an immovable object.



Connecting the power supply

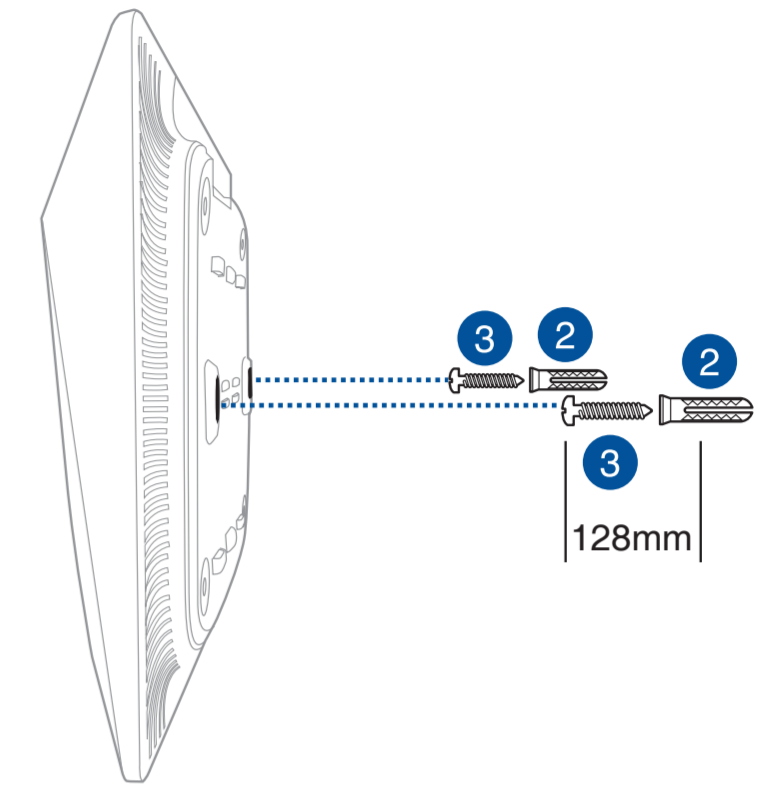
You can connect either the bundled DC adapter or an 802.3at power source to your BAP-AC1750.

Via the DC adapter

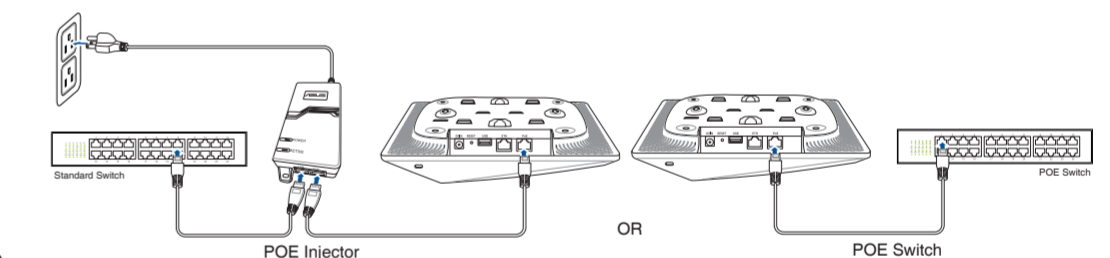


Mounting your BAP-AC1750 directly to the wall

- Drill two 6.5mm holes on the wall with a distance of 281mm between them.
- Place two 6.5mm M6 plastic anchors in the two holes.
- Tighten two 3mm round head drywall screws into the two M6 plastic anchors in the holes.
- Hang your BAP-AC1750 into the two screws on the wall.



Via a PoE compliant power source



IMPORTANT! Use only the DC adapter that came with your package or an 802.3at compliant PoE power source. Using other DC adapters may damage your BAP-AC1750.

NOTES:

- When both the DC adapter and PoE power source are plugged to your BAP-AC1750, the DC power is the primary source of your BAP-AC1750. When the DC power fails, your BAP-AC1750 changes to the 802.3at PoE source.
- BAP-AC1750 can be powered by 802.3at compliant (25.5W) PoE switch/PoE injector or 802.3af compliant (12.95W) PoE switch/PoE injector. When your BAP-AC1750 is operated on 802.3af power, the USB port is disabled, and the TX power reduces 3dB from power by 802.3at.
- **Environment Specifications:**

Temperature	-5°C to 50 degrees °C (Operating Temperature) -20°C to 70°C (Storage Temperature)
Operating humidity	-5% to 95% (Noncondensing)

Safety Notices

- Read, follow, and keep these instructions.
- Heed all warnings.
- Only use attachments/accessories specified by the manufacturer.

WARNING!

- Do not use this product in location that can be submerged by water.
- Avoid using this product during an electrical storm. There may be a remote risk of electric shock from lightning.

Electrical Safety Information

- Compliance is required with respect to voltage, frequency, and current requirements indicated on the manufacturer's label. Connection to a different power source than those specified may result in improper operation, damage to the equipment or pose a fire hazard if the limitations are not followed.
- There are no operator serviceable parts inside this equipment. Service should be provided only by a qualified service technician.
- This equipment is provided with a detachable power cord which has an integral safety ground wire intended for connection to a grounded safety outlet.
 - a) Do not substitute the power cord with one that is not the provided approved type. Never use an adapter plug to connect to a 2-wire outlet as this will defeat the continuity of the grounding wire.
 - b) The equipment requires the use of the ground wire as a part of the safety certification, modification or misuse can provide a shock hazard that can result in serious injury or death.
 - c) Contact a qualified electrician or the manufacturer if there are questions about the installation prior to connecting the equipment.
 - d) Protective earthing is provided by Listed AC adapter. Building installation shall provide appropriate short-circuit backup protection.
 - e) Protective bonding must be installed in accordance with local national wiring rules and regulations.

Limited Warranty

ASUSTek Inc. warrants that the product(s) furnished hereunder (the "Product(s)") shall be free from defects in material and workmanship for a period of three years from the date of shipment by ASUSTek Inc. under normal use and operation. ASUSTek sole and exclusive obligation and liability under the foregoing warranty shall be for ASUSTek Inc., at its discretion, to repair or replace any Product that fails to conform to the above warranty during the above warranty period. The expense of removal and reinstallation of any Product is not included in this warranty. The warranty period of any repaired or replaced Product shall not extend beyond its original term.

Warranty Limitations

The above warranty can be applied with following terms:

- This warranty is can be availed by the first buyer only and is not transferable from one user to another.
- The warranty excludes demonstration/installation of the product purchased.
- If customer purchases the product from overseas market that has a local warranty, the product is repairable at additional charges.
- In the event of repairs/replacement of any parts of the unit, this warranty will thereafter continue and remain in force only for the unexpired period of the warranty.
- Moreover time taken for repair/replacement and in transit whether under the warranty or otherwise shall not be excluded from the warranty period.
- ASUS will not be responsible for loss of any data on the network devices, under any circumstances. Customers are encouraged to back up all data stored from your side before giving to service center.
- ASUS' liability shall be subject to the rates and terms of the ASP performing such services. All third party peripherals whether purchased as a part of the system or bundled with it, normally come with the prevailing suppliers warranty and ASUS does not warranty error free or uninterrupted operation of the equipment.

The above warranty does not apply if the Product:

- Original serial number is removed, obliterated or altered from the product or cabinet modification, except by ASUSTek, or ASUSTeks' authorized representatives, or as approved by ASUSTek in writing.
- Defects or damage due to non-recommended softwares added by customer or virus attack.
- Not used as per instructions in the user's manual.
- Any defects caused due to misuse, abuse, negligence, abnormal physical, electromagnetic or electrical stress, including lightning strikes, or accident Natural calamities while in transit to service centre or purchasers' residence.
- Premises where the product is kept in conditions that do not conform to recommended operating conditions of the machine.
- The product being serviced or repaired by anyone or un-trained engineer other than Authorized service Provider and modification from original ASUS manufacturing standard.
- Has been painted, rebranded or physically modified in any way.
- Has been damaged or impaired as a result of using third party firmware
- Exposing the products to water on any circumstances by the user.

In addition, the above warranty shall apply only if: the product has been properly installed and used at all times in accordance, and in all material respects, with the applicable Product documentation; all Ethernet cabling runs use CAT5 (or above), and for indoor installations, indoor cabling requirements are followed.

ASUS Recycling/Takeback Services

ASUS recycling and takeback programs come from our commitment to the highest standards for protecting our environment. We believe in providing solutions for you to be able to responsibly recycle our products, batteries, other components, as well as the packaging materials. Please go to <http://csr.asus.com/english/Takeback.htm> for the detailed recycling information in different regions.

Federal Communications Commission Statement

This device complies with Part 15 of the FCC Rules. Operation is subject to the following two conditions:

- This device may not cause harmful interference.
- This device must accept any interference received, including interference that may cause undesired operation.

This equipment has been tested and found to comply with the limits for a class B digital device, pursuant to Part 15 of the FCC Rules. These limits are designed to provide reasonable protection against harmful interference in a residential installation.

This equipment generates, uses and can radiate radio frequency energy and, if not installed and used in accordance with the instructions, may cause harmful interference to radio communications. However, there is no guarantee that interference will not occur in a particular installation. If this equipment does cause harmful interference to radio or television reception, which can be determined by turning the equipment off and on, the user is encouraged to try to correct the interference by one or more of the following measures:

- Reorient or relocate the receiving antenna.
- Increase the separation between the equipment and receiver.
- Connect the equipment into an outlet on a circuit different from that to which the receiver is connected.
- Consult the dealer or an experienced radio/TV technician for help.

FCC Radiation Exposure Statement

This equipment complies with FCC radiation exposure limits set forth for an uncontrolled environment. This equipment should be installed and operated with minimum distance 40cm between the radiator & your body.

IMPORTANT! This device within the 5.15 ~ 5.25 GHz is restricted to indoor operations to reduce any potential for harmful interference to co-channel MSS operations.

WARNING!

- Any changes or modifications not expressly approved by the party responsible for compliance could void the user's authority to operate the equipment.
- Users must not modify this device. Modifications by anyone other than the party responsible for compliance with the rules of the Federal Communications Commission (FCC) may void the authority granted under FCC regulations to operate this device.
- For product available in the USA/Canada market, only channel 1~11 can be operated. Selection of other channels is not possible.

Prohibition of Co-location

This device and its antenna(s) must not be co-located or operating in conjunction with any other antenna or transmitter except in accordance with FCC multi-transmitter product procedures.

Safety Information

To maintain compliance with FCC's RF exposure guidelines, this equipment should be installed and operated with minimum distance 40cm between the radiator and your body. Use on the supplied antenna.

Declaration of Conformity for R&TTE directive 1999/5/EC

Essential requirements – Article 3

Protection requirements for health and safety – Article 3.1a

Testing for electric safety according to EN 60950-1 has been conducted. These are considered relevant and sufficient.

Protection requirements for electromagnetic compatibility – Article 3.1b

Testing for electromagnetic compatibility according to EN 301 489-1 and EN 301 489-17 has been conducted. These are considered relevant and sufficient.

Effective use of the radio spectrum – Article 3.2

Testing for radio test suites according to EN 300 328 & EN 301 893 have been conducted. These are considered relevant and sufficient.

Operate the device in 5150-5250 MHz frequency band for indoor use only.

CE Mark Warning

This is a Class B product, in a domestic environment, this product may cause radio interference, in which case the user may be required to take adequate measures.

This equipment may be operated in AT, BE, CY, CZ, DK, EE, FI, FR, DE, GR, HU, IE, IT, LU, MT, NL, PL, PT, SK, SL, ES, SE, GB, IS, LI, NO, CH, BG, RO, RT.

Canada, Industry Canada (IC) Notices

This device complies with Industry Canada license-exempt RSS standard(s).

Operation is subject to the following two conditions: (1) this device may not cause interference, and (2) this device must accept any interference, including interference that may cause undesired operation of the device.

Radio Frequency (RF) Exposure Information

This equipment complies with IC RSS-102 radiation exposure limits set forth for an uncontrolled environment. This equipment should be installed and operated with minimum distance 40cm between the radiator & your body.

Cet équipement est conforme aux limites d'exposition aux rayonnements IC établies pour un environnement non contrôlé. Cet équipement doit être installé et utilisé avec un minimum de 40cm de distance entre la source de rayonnement et votre corps.

Canada, avis d'Industry Canada (IC)

Le présent appareil est conforme aux CNR d'Industrie Canada applicables aux appareils radio exempts de licence. L'exploitation est autorisée aux deux conditions suivantes : (1) l'appareil ne doit pas produire de brouillage, et (2) l'utilisateur de l'appareil doit accepter tout brouillage radioélectrique subi, même si le brouillage est susceptible d'en compromettre le fonctionnement.

WARNING!

- For product available in the USA/Canada market, only channel 1~11 can be operated. Selection of other channels is not possible.
- Pour les produits disponibles aux États-Unis / Canada du marché, seul le canal 1 à 11 peuvent être exploités. Sélection d'autres canaux n'est pas possible.
- This device and it's antennas(s) must not be co-located or operating in conjunction with any other antenna or transmitter except in accordance with IC multi-transmitter product procedures.
- Cet appareil et son antenne (s) ne doit pas être co-localisés ou fonctionnement en association avec une autre antenne ou transmetteur.
- Under Industry Canada regulations, this radio transmitter may only operate using an antenna of a type and maximum (or lesser) gain approved f or the transmitter by Industry Canada. To reduce potential radio interference to other users, the antenna type should be chosen so that the equivalent isotropically radiated power (e.i.r.p) is not more than that necessary for successful communication.
- Conformément à la réglementation d'Industrie Canada, le présent émetteur radio peut fonctionner avec une antenne d'un type et d'un gain maximal (ou inférieur) approuvé pour l'émetteur par Industrie Canada. Dans le but de réduire les risques de brouillage radioélectrique à l'intention des autres utilisateurs, il faut choisir le type d'antenne et son gain de sorte que la puissance isotrope rayonnée équivalente (p.i.r.e.) ne dépasse pas l'intensité nécessaire à l'établissement d'une communication satisfaisante.
- This radio transmitter (3568A-RTGW00) has been approved by Industry Canada to operate with the antenna types listed below with the maximum permissible gain and required antenna impedance for each antenna type indicated. Antenna types not included in this list, having a gain greater than the maximum gain indicated for that type, are strictly prohibited for use with this device.
- Le présent émetteur radio (3568A-RTGW00) a été approuvé par Industrie Canada pour fonctionner avec les types d'antenne énumérés ci-dessous et ayant un gain admissible maximal et l'impédance requise pour chaque type d'antenne. Les types d'antenne non inclus dans cette liste, ou dont le gain est supérieur au gain maximal indiqué, sont strictement interdits pour l'exploitation de l'émetteur.
- The device for the band 5150-5250 MHz is only for indoor usage to reduce potential for harmful interference to co-channel mobile satellite systems.
- Les dispositifs fonctionnant dans la bande 5150-5250 MHz sont réservés uniquement pour une utilisation à l'intérieur afin de réduire les risques de brouillage préjudiciable aux systèmes de satellites mobiles utilisant les mêmes canaux.

NCC 警語

經型式認證合格之低功率射頻電機，非經許可，公司、商號或使用者均不得擅自變更頻率、加大功率或變更原設計之特性及功能。低功率射頻電機之使用不得影響飛航安全及干擾合法通信；經發現有干擾現象時，應立即停用，並改善至無干擾時方得繼續使用。前項合法通信，指依電信法規定作業之無線電通信。低功率射頻電機須忍受合法通信或工業、科學及醫療用電波輻射性電機設備之干擾。

Networks Global Hotline Information

Region	Country	Hotline Number	Service Hours
Europe	Cyprus	800-92491	09:00-13:00 ; 14:00-18:00 Mon-Fri
	France	0033-170949400	09:00-18:00 Mon-Fri
	Germany	0049-1805010920	
		0049-1805010923	09:00-18:00 Mon-Fri
		(component support) 0049-2102959911 (Fax)	10:00-17:00 Mon-Fri
	Hungary	0036-15054561	09:00-17:30 Mon-Fri
	Italy	199-400089	09:00-13:00 ; 14:00-18:00 Mon-Fri
		Greece	00800-44142044
	Austria		0043-820240513
	Netherlands/ Luxembourg	0031-591570290	09:00-17:00 Mon-Fri
	Belgium	0032-78150231	09:00-17:00 Mon-Fri
	Norway	0047-2316-2682	09:00-18:00 Mon-Fri
	Sweden	0046-858769407	09:00-18:00 Mon-Fri
	Finland	00358-969379690	10:00-19:00 Mon-Fri
	Denmark	0045-38322943	09:00-18:00 Mon-Fri
	Poland	0048-225718040	08:30-17:30 Mon-Fri
	Spain	0034-902889688	09:00-18:00 Mon-Fri
	Portugal	00351-707500310	09:00-18:00 Mon-Fri
	Slovak Republic	00421-232162621	08:00-17:00 Mon-Fri
	Czech Republic	00420-596766888	08:00-17:00 Mon-Fri
Switzerland-German	0041-848111010	09:00-18:00 Mon-Fri	
Switzerland-French	0041-848111014	09:00-18:00 Mon-Fri	
Switzerland-Italian	0041-848111012	09:00-18:00 Mon-Fri	
United Kingdom	0044-8448008340	09:00-17:00 Mon-Fri	
Ireland	0035-31890719918	09:00-17:00 Mon-Fri	
Russia and CIS	008-800-100-ASUS	09:00-18:00 Mon-Fri	
Ukraine	0038-0445457727	09:00-18:00 Mon-Fri	

Networks Global Hotline Information

Region	Country	Hotline Number	Service Hours
Asia-Pacific	Australia	1300-278788	09:00-18:00 Mon-Fri
	New Zealand	0800-278788	09:00-18:00 Mon-Fri
		0800-1232787	09:00-18:00 Mon-Fri
	Japan	0081-570783886 (Non-Toll Free)	09:00-17:00 Sat-Sun
			09:00-17:00 Sat-Sun
	Korea	0082-215666868	09:30-17:00 Mon-Fri
	Thailand	0066-24011717	
		1800-8525201	09:00-18:00 Mon-Fri
	Singapore	0065-64157917	11:00-19:00 Mon-Fri
		0065-67203835	09:00-18:00 Mon-Fri
(Repair Status Only)		11:00-13:00 Sat	
0060-320535077		10:00-19:00 Mon-Fri	
1800-18550163		09:00-18:00 Mon-Fri	
Americas	India	1800-2090365	09:00-18:00 Mon-Sat
	India(WL/NW)		09:00-21:00 Mon-Sun
	Indonesia	0062-2129495000	09:30-17:00 Mon-Fri
	500128 (Local Only)	9:30 – 12:00 Sat	
	Vietnam	1900-555581	08:00-12:00
			13:30-17:30 Mon-Sat
	Hong Kong	00852-35824770	10:00-19:00 Mon-Sat
Middle East + Africa	USA	1-812-282-2787	8:30-12:00 EST Mon-Fri
	Canada		9:00-18:00 EST Sat-Sun
	Mexico	001-8008367847	08:00-20:00 CST Mon-Fri
Balkan Countries			08:00-15:00 CST Sat
	Egypt	800-2787349	09:00-18:00 Sun-Thu
	Saudi Arabia	800-1212787	09:00-18:00 Sat-Wed
	UAE	00971-42958941	09:00-18:00 Sun-Thu
	Turkey	0090-2165243000	09:00-18:00 Mon-Fri
	South Africa	0861-278772	08:00-17:00 Mon-Fri
	Israel	*6557/00972-39142800 *9770/00972-35598555	08:00-17:00 Sun-Thu 08:30-17:30 Sun-Thu
	Romania	0040-213301786	09:00-18:30 Mon-Fri
	Bosnia Herzegovina	00387-33773163	09:00-17:00 Mon-Fri
	Bulgaria	00359-70014411	09:30-18:30 Mon-Fri
		00359-29889170	09:30-18:00 Mon-Fri
	Croatia	00385-16401111	09:00-17:00 Mon-Fri
	Montenegro	00382-20608251	09:00-17:00 Mon-Fri
	Serbia	00381-112070677	09:00-17:00 Mon-Fri
	Slovenia	00368-59045400	
		00368-59045401	08:00-16:00 Mon-Fri
	Estonia	00372-6671796	09:00-18:00 Mon-Fri
Latvia	00371-67408838	09:00-18:00 Mon-Fri	
Lithuania-Kaunas	00370-37329000	09:00-18:00 Mon-Fri	
Lithuania-Vilnius	00370-522101160	09:00-18:00 Mon-Fri	

NOTE: For more information, visit the ASUS support site at: <http://support.asus.com>