

## **Federal Communication Commission Interference Statement**

This equipment has been tested and found to comply with the limits for a Class B digital device, pursuant to Part 15 of the FCC Rules. These limits are designed to provide reasonable protection against harmful interference in a residential installation. This equipment generates, uses and can radiate radio frequency energy and, if not installed and used in accordance with the instructions, may cause harmful interference to radio communications. However, there is no guarantee that interference will not occur in a particular installation. If this equipment does cause harmful interference to radio or television reception, which can be determined by turning the equipment off and on, the user is encouraged to try to correct the interference by one of the following measures:

- Reorient or relocate the receiving antenna.
- Increase the separation between the equipment and receiver.
- Connect the equipment into an outlet on a circuit different from that to which the receiver is connected.
- Consult the dealer or an experienced radio/TV technician for help.

FCC Caution: Any changes or modifications not expressly approved by the party responsible for compliance could void the user's authority to operate this equipment.

This device complies with Part 15 of the FCC Rules. Operation is subject to the following two conditions: (1) This device may not cause harmful interference, and (2) this device must accept any interference received, including interference that may cause undesired operation.

### **IMPORTANT NOTE:**

#### **FCC Radiation Exposure Statement:**

This equipment complies with FCC radiation exposure limits set forth for an uncontrolled environment. End users must follow the specific operating instructions for satisfying RF exposure compliance.

This transmitter must not be co-located or operating in conjunction with any other antenna or transmitter.

#### **FCC Radiation Exposure Statement:**

This equipment complies with FCC radiation exposure limits set forth for an uncontrolled environment. This equipment should be installed and operated with a minimum distance of 20cm between the radiator and your body. This transmitter must not be co-located or operated in conjunction with any other antenna or transmitter.

Operations in the 5.15-5.25GHz band are restricted to indoor usage only.

IEEE 802.11b or 802.11g operation of this product in the U.S.A. is firmware-limited to channels 1 through 11.

# HP TouchSmart PC

## User Guide

### Copyright Information

The only warranties for Hewlett-Packard products and services are set forth in the express statements accompanying such products and services. Nothing herein should be construed as constituting an additional warranty. HP shall not be liable for technical or editorial errors or omissions contained herein.

HP assumes no responsibility for the use or reliability of its software on equipment that is not furnished by HP.

This document contains proprietary information that is protected by copyright. No part of this document may be photocopied, reproduced, or translated to another language without the prior written consent of HP.

Hewlett-Packard Company  
P.O. Box 4010  
Cupertino, CA 95015-4010  
USA

Copyright © 2007 Hewlett-Packard Development Company, L.P.

May be licensed in the United States by one or both of U.S. Patents Nos. 4,930,158 and 4,930,160 until August 28, 2008.

Microsoft and Windows Vista are U.S. registered trademarks of Microsoft Corporation. The Windows logo and Windows Vista are trademarks or registered trademarks of Microsoft Corporation in the United States and/or other countries/regions.

HP supports lawful use of technology and does not endorse or encourage the use of our products for purposes other than those permitted by copyright law. The information in this document is subject to change without notice.

## HP TouchSmart PC Documentation

Your HP TouchSmart PC includes several guides to help you perform various tasks.

Printed information	Guide found on your computer hard disk drive
<i>HP TouchSmart PC User Guide</i>	<i>Getting Started</i> guide
<i>Limited Warranty and Support</i> guide	
<i>Troubleshooting and Maintenance</i> Guide	

- **HP TouchSmart PC User Guide** provides information about setting up and using all the features of your HP TouchSmart PC. You will also find information about various software such as Windows Media Center, HP SmartCenter, HP PhotoSmart Touch, HP SmartCalendar, and more.
- **Getting Started** provides information about using your HP computer, the Microsoft® Windows Vista™ operating system, the Windows Media Center, and some of the hardware and the software programs included with the computer. Onscreen guides are available in the User Guides folder on your computer. Click the **Windows Start Button**® on the taskbar, click **All Programs, User Guides**, and then click **Getting Started**.
- **Limited Warranty and Support** guide provides information about your computer warranty and how to obtain support.
- **Troubleshooting and Maintenance** Guide provides information about tasks you can perform to ensure the trouble-free operation of your computer and to ease the recovery of important information on your computer should problems arise in the future. It also contains a series of tables that describe solutions you can try to resolve problems that may occur when you install and use your computer.

For more detailed information about where you will find specific information in each of these guides, refer to *Locating Information about Your Computer* in this guide.

# Accessing Software and Performing Other PC Tasks

You can access your software and perform various tasks on your HP TouchSmart PC using the touch screen, keyboard, mouse, stylus, or remote control. Some tasks are better suited to the touch screen, such as using the HP SmartCenter programs, browsing the Internet, or accessing your favorite programs. Some activities, such as typing search text, are better suited for the keyboard.

You always have the flexibility to use various ways to navigate your PC, create messages, and access your music, TV programs, and photos.

---

**NOTE:** All software that you purchase and install separately is accessible with the touch screen, but some programs are easier to use with a stylus, keyboard, or mouse.

---

## Accessing Software and Performing Other PC Tasks

Software and other PC activities	Touch screen Finger/Stylus	Keyboard/mouse	Remote control
HP SmartCenter	Best	Good	Yes
HP SmartCalendar	Best	Good	No
HP Photosmart Touch	Best	Good	No
Windows Media Center	Better	Good	Best
Software included with the PC	Good	Best	No
Software you install	Good	Best	No
Internet access	Good	Best	No
Windows Vista operating system	Good	Best	No
Desktop navigation	Better	Best	No
Turn the PC on or put it in Standby mode	On only	Best	Best

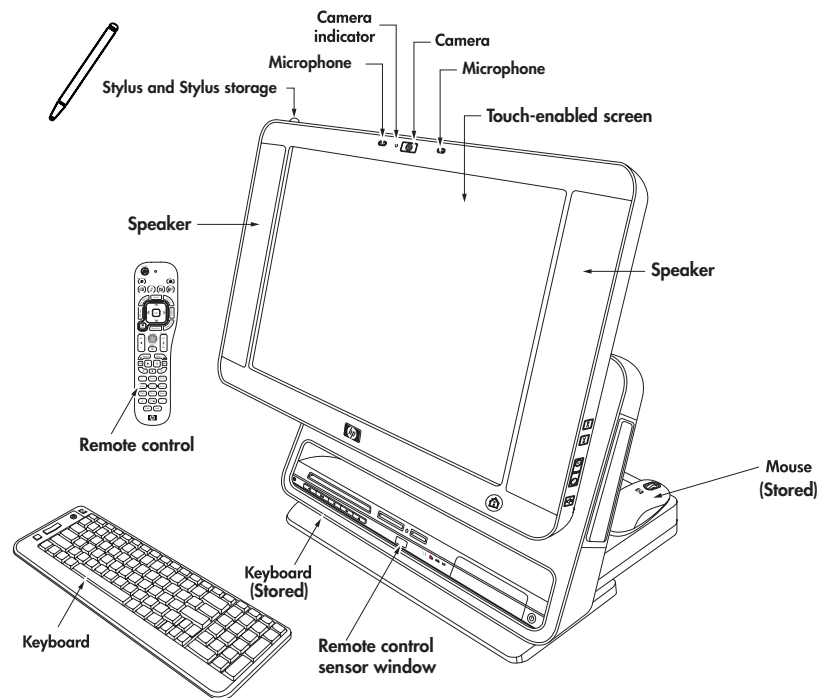
# Table of Contents

<b>Setting Up the HP TouchSmart PC .....</b>	<b>1</b>
HP TouchSmart PC Cables .....	7
Setting Up the HP TouchSmart PC.....	7
Using surge protection .....	7
Connecting the power cord .....	7
Setting up the wireless keyboard and mouse.....	8
Turning on the HP TouchSmart PC .....	8
Using the Wireless Keyboard or Mouse .....	9
Using the wireless keyboard .....	9
Using the wireless mouse.....	11
Replacing batteries in the keyboard or mouse .....	11
Manually sync the wireless keyboard or mouse .....	12
Connecting the TV Signal Source to the PC.....	13
Connecting the IR emitter .....	14
Connecting an HP Photo Printer .....	15
Connecting a printer .....	15
Setting Up the Remote Control .....	16
Using a Wireless Network and Bluetooth Devices .....	17
Setting up a wireless local area network .....	17
Using Bluetooth devices .....	17
Connecting to the Internet.....	18
Setting up a network and the HP TouchSmart PC .....	19
<b>Using the HP TouchSmart PC.....</b>	<b>21</b>
Using the HP TouchSmart PC Screen.....	21
Selecting items with your touch screen .....	21
Optimizing the screen for touch or the mouse .....	21
About touch screen technology .....	22
Cleaning the HP TouchSmart PC Screen .....	23
Using the stylus .....	23
Using the Built-in Web Camera and Microphone .....	24
Having a video chat or making conference calls .....	24

Using the HP TouchSmart PC Software .....	24
What is HP SmartCenter? .....	24
Navigating in HP SmartCenter .....	26
Opening HP SmartCenter .....	26
Using the remote control with HP SmartCenter .....	26
Changing the weather location .....	27
Changing the HP SmartCenter clock settings .....	28
Using HP SmartCalendar .....	29
Moving notes to your calendar .....	33
Using HP Photosmart Touch .....	34
Opening HP Photosmart Touch .....	34
Transferring your photos to the PC .....	34
Working with digital images .....	34
HP Photosmart Touch shortcuts .....	35
Adding pictures to your HP Photosmart Touch library .....	35
Searching for pictures with HP Photosmart Touch .....	36
Selecting pictures in HP Photosmart Touch .....	36
Editing pictures in HP Photosmart Touch .....	36
Printing pictures in HP Photosmart Touch .....	37
Other HP SmartCenter Features .....	38
Personalizing your HP SmartCenter page .....	38
Changing what you can launch from HP SmartCenter .....	39
Using the touch screen to access Windows Media Center .....	41
Using Tablet PC software to enter text with the touch screen .....	43
Using Windows Journal software to create hand-written notes and drawings .....	43
<b>Upgrading the HP TouchSmart PC .....</b>	<b>45</b>
Safety Information .....	45
Opening and Closing the HP TouchSmart PC .....	45
Preparing the HP TouchSmart PC .....	45
Before opening the HP TouchSmart PC .....	46
After closing the HP TouchSmart PC .....	46
Removing the rear cover .....	47
Replacing the rear cover .....	48
Removing the vertical cover .....	48
Replacing the vertical cover .....	49
Adding Memory .....	49
Removing a memory module .....	49
Installing a memory module .....	50
Removing and Replacing the Hard Disk Drive .....	51
Removing the hard disk drive .....	51
Replacing the hard disk drive .....	52
<b>Locating Information About Your Computer .....</b>	<b>53</b>
<b>Index .....</b>	<b>54</b>

# Setting Up the HP TouchSmart PC

This section provides figures you can use to locate the HP TouchSmart PC hardware, and information about setting up the HP TouchSmart PC and making connections.



**Adjustable 19-inch touch-enabled widescreen** — move it up and down and tilt it back and forth at the angle that is comfortable to you.

**Built-in microphone array** — use them individually, or use them with the Web camera.

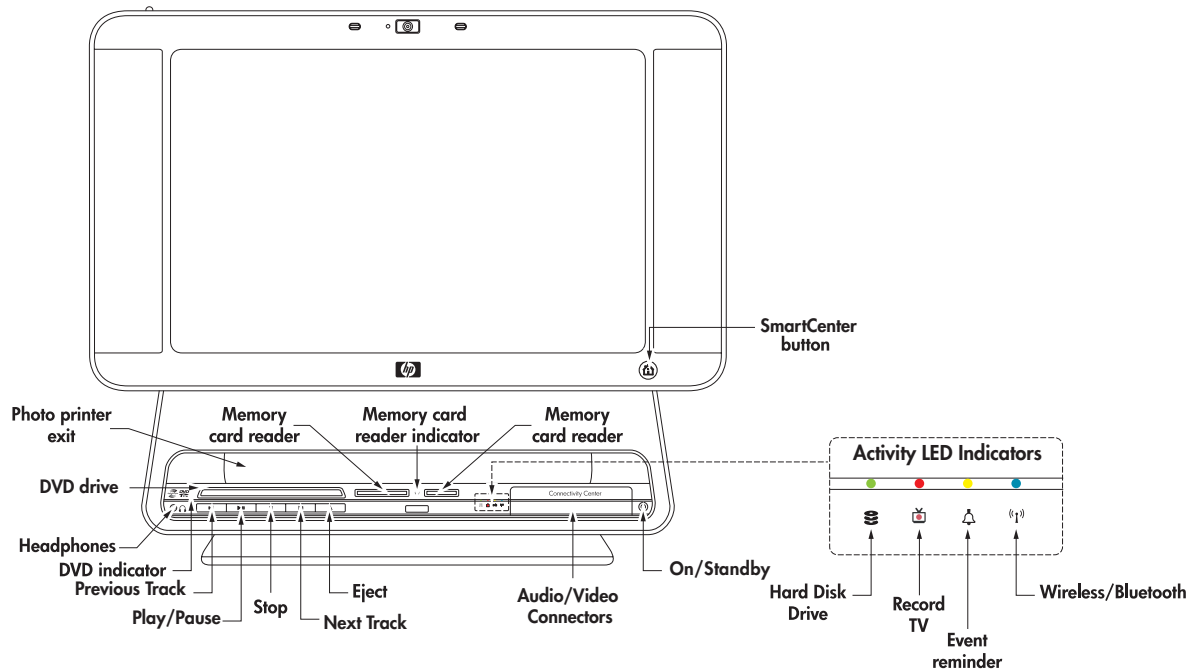
**Built-in Web camera and indicator** — use the camera individually or use with the microphone array to have video chats or make video conference calls over the Internet using your favorite chat software that supports video.

**High-performance built-in 2.0 speakers** — use them for a powerful media experience when watching Live TV, listening to music, or watching your home videos and DVD discs.

**Wireless keyboard and mouse** — keyboard fits into a convenient hideaway storage bay under the display and mouse sits behind the display when you are not using it. To conserve battery power, move the switch on the bottom of the mouse to the Off position before storing the mouse. You can use the keyboard to type messages, turn on the PC, and navigate your PC software.

**Remote control** — point it at the **remote control sensor window**, and navigate all of your Windows Media Center options, such as watching and recording your favorite TV shows, playing a slideshow of your vacation photos, or playing your music playlists. See “Setting Up the Remote Control.”

**Stylus and Stylus storage** — use it as a pointer device to more precisely control the touch screen navigation. Press down on the stylus to lock it in place and press it again to release it from its holder.



**Built-in wireless LAN** — use it to connect to a wireless home network that connects all the PCs in your home or office. See “Setting up a wireless local area network.”

**Bluetooth** — connect to all kinds of wireless devices such as printers, cameras, headsets, cell phones, audio headphones, and more.

**HP SmartCenter button** — press it to turn your HP TouchSmart PC on and launch your HP SmartCenter software, or if PC is already turned on, press it to launch HP SmartCenter.

**On/Standby button** — press to easily turn on your HP TouchSmart PC, or put it in Standby (sleep) mode.

**Media card reader** — an 8-in-1 two-slot memory card reader where you can easily insert various photo memory cards to quickly transfer your digital photos to the PC.

- Left slot accepts CompactFlash I and II, and MicroDrive.
- Right slot accepts SD, MMC, MS, MS-PRO, and xD.

**Memory card reader indicator** — light to show current activity for the memory card reader.

**Activity LED indicator lights** — light to show current activity for the hard disk drive, TV recording, the HP SmartCalendar event reminder, and wireless/Bluetooth devices.

**Media control buttons** — press Previous Track, Play/Pause, Stop, Next Track, or Eject to play and control your music CDs and DVD movies.

**DVD drive**, an optical DVD+/-RW drive with **LightScribe** — insert CDs and DVDs to play and burn 120 mm double-layer and 80 mm round discs, or create your own disc labels using the LightScribe technology. The **DVD indicator** lights to show disc activity. See the *Troubleshooting and Maintenance Guide* for information on how to access the DVD drive ejector hole.

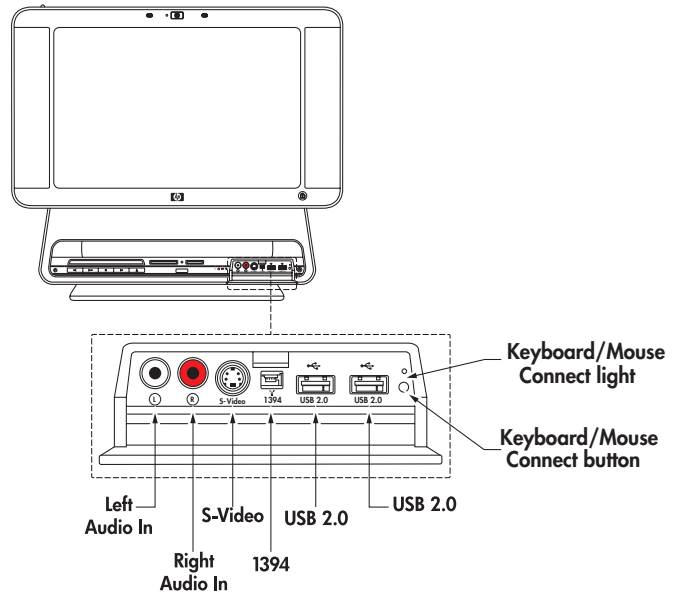


**CAUTION: Business card and other form factor discs are not supported. Inserting these discs may prevent the drive from opening and can cause mechanical problems.**

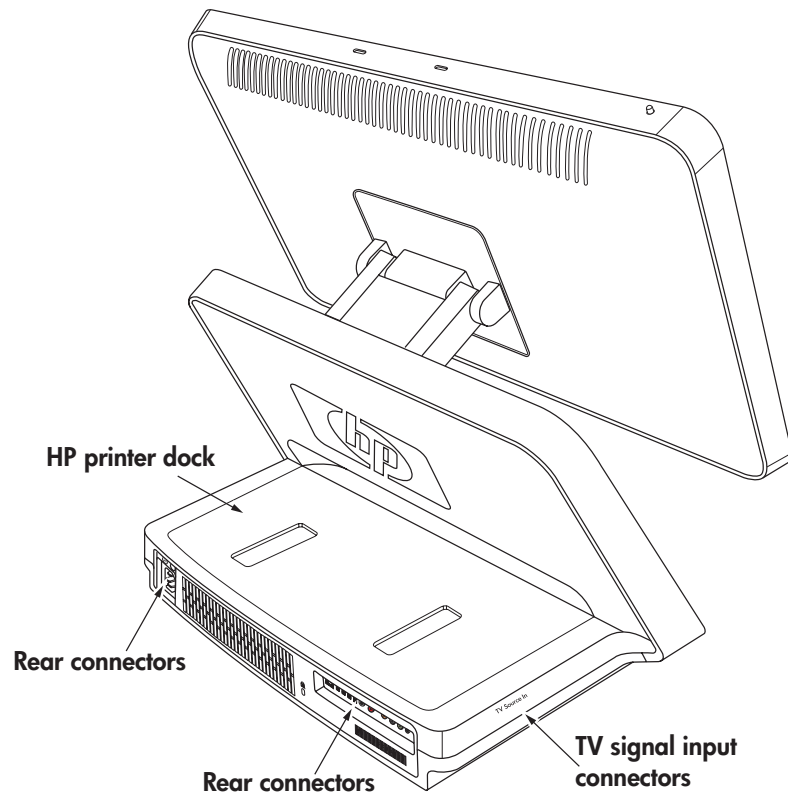
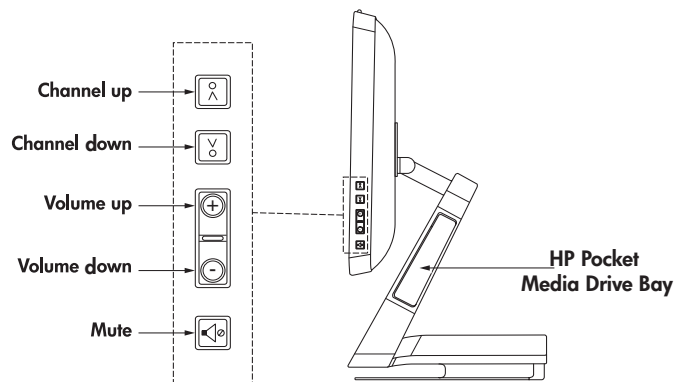
**Headphone connector** — connect your headphones (sold separately).

**Photo printer exit** — slot for the photo to exit when an HP photo printer (sold separately) is placed on the **HP Printer dock** on the back of the HP TouchSmart PC.

**Audio/video connectors** — connect audio or video devices using these connectors. Also has manual keyboard and mouse connect button and indicator.



**Channel, volume, and mute controls** — quickly change channels while watching live TV in Media Center and adjust the sound level for all your PC experiences.

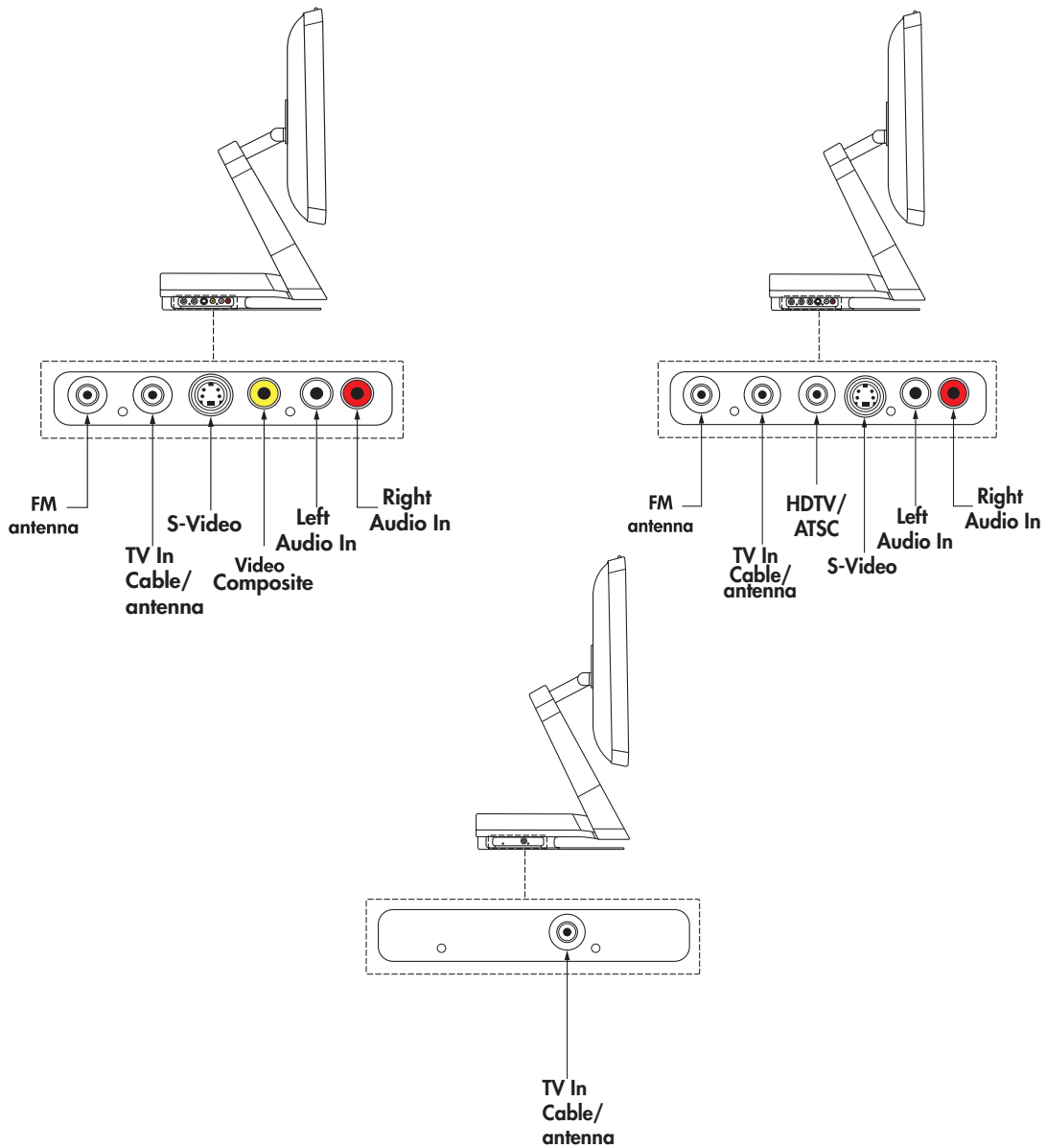




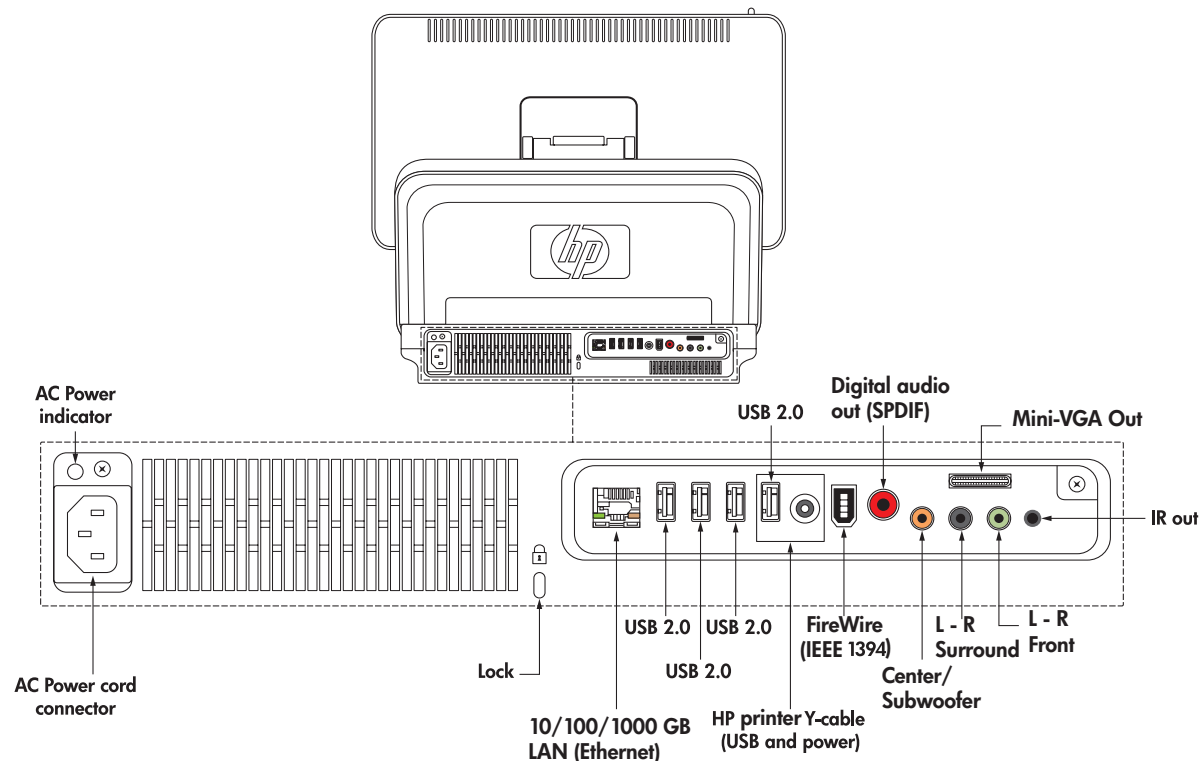
**TV signal input connectors** — input connectors on the left side of the HP TouchSmart PC are for the TV input signal. All models have a coaxial TV In connector. Some models also have an HDTV/ATSC connector. Some models also have S-video or video (composite) connectors and left Audio In and right Audio In connectors in this area. Some models have a coaxial FM antenna connector in this area.

For more information about setting up your TV signal, see “Connecting the TV Signal Source to the PC” on page 13.

Shown below are three different TV tuner connectors your HP TouchSmart PC may include.

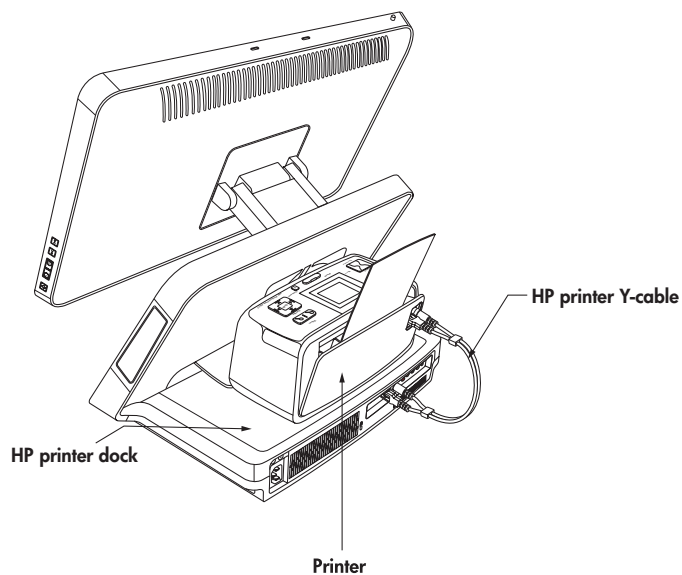


**Rear connectors** — Connectors for AC power cord (with a green indicator light), a Kensington lock slot, LAN (for a wired Ethernet connection), four USB 2.0, HP printer Y-cable connectors (USB and power output), FireWire® (IEEE 1394) (6-pin), digital audio out (SPDIF), subwoofer/center, left and right surround, and left and right front are each 3.5 mm dual-channel analog audio out connectors, IR (infrared emitter) out, and a mini-VGA out connector.

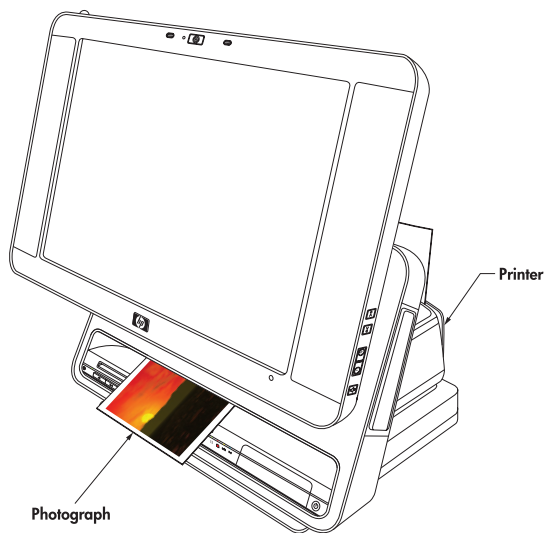


**HP Printer dock** — place one of select models of HP Photo printers (sold separately) on the printer dock on the back of the HP TouchSmart PC to save counter space.

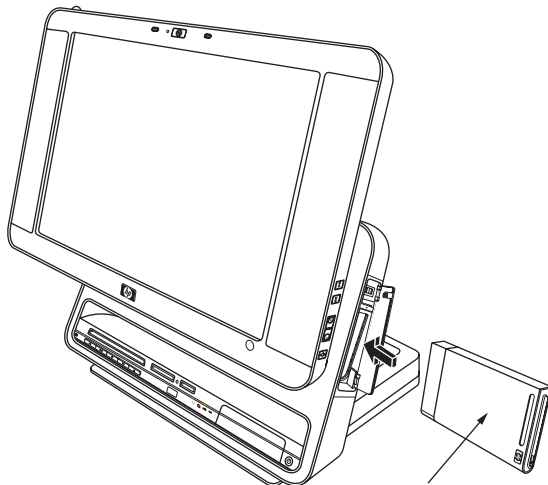
You can also connect the HP printer without using a separate power cable by using the HP printer Y-cable. See “Connecting an HP Photo Printer.”



**Photo printer exit** — the print exits out of the front of the HP TouchSmart PC at the photo printer exit.

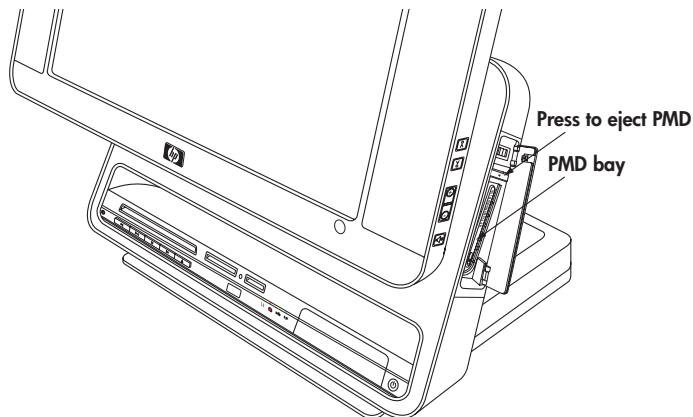


**HP Pocket Media Drive Bay** — press the top of the drive bay cover to open it. Insert a portable HP Pocket Media Drive, which is a hard disk drive that you purchase separately. You can use it to store and transfer all of your important media files.



**HP Pocket Media Drive**

You can safely remove the drive when the activity light on the drive is not blinking. Press the Eject button to pop out and then remove the drive.



For specific steps to disconnect and remove the drive, see "Disconnecting the Drive" in the "Using the HP Personal Media Drive and the HP Pocket Media Drive" chapter of the *Getting Started* guide.

## HP TouchSmart PC Cables

For more information about cables, refer to the printed cable flyer that came with your HP TouchSmart PC.

- **Power cable** to connect the PC to the power source.
- **Ethernet (RJ-45) cable** (sold separately) to optionally connect the PC to a wired LAN (Ethernet) port.
- **VGA adapter cable** connects from the VGA Out connector to a standard 15-pin VGA connector on a TV or a monitor.
- **HP printer Y-cable** (Type B USB) with power to connect HP Photosmart A510 and A610 Series printer models without using a separate power cable.
- **IR (infrared) emitter cable** to connect the HP TouchSmart PC (at the IR Out connector) to operate the remote sensor on a set-top box.

## Setting Up the HP TouchSmart PC

Setting up the HP TouchSmart PC is simple; just place it and connect the power cord. Then, pull the battery tabs on the wireless keyboard and mouse, turn on the mouse, and then turn on the PC, and you are ready to begin using your HP TouchSmart PC.

You can also:

- Connect to the Internet using wireless or wired (optional) connection. See “Connecting to the Internet.”
- Insert the batteries in the remote control. See “Setting up the remote control to use with Windows Media Center.”
- Make other connections, such as TV input signal. See “Connecting the TV Signal Source to the PC.”
- Connect a printer. See “Connecting a printer.”



**WARNING:** Please read “Additional Safety Information” in the *Limited Warranty and Support Guide* before installing and connecting your HP TouchSmart PC to the electrical power system.

---

Read the topics in this section to learn more about setting up your HP TouchSmart PC. Look in the HP TouchSmart PC box for printed details or updates regarding your HP TouchSmart PC.

## Using surge protection

Help protect your HP TouchSmart PC and accessories by connecting all power cords for your HP TouchSmart PC and peripheral devices (such as a monitor, printer, or scanner) to a surge protection device such as a power strip with surge protection or an uninterruptible power supply (UPS). Many surge protection devices have surge protection inputs and outputs for modem or telephone lines. Telephone lines are a common path for lightning spikes to get into your system. Some surge protection devices have surge protection for television cable connections as well. Use those if your HP TouchSmart PC has a television tuner installed.

Not all power strips provide surge protection; the power strip must be specifically labeled as having this capability. Use a power strip whose manufacturer offers a damage replacement policy that replaces your equipment if surge protection fails.

## Connecting the power cord

Connect the power cord to the AC power cord connector on the back of the HP TouchSmart PC, and then plug the other end into a surge protection device or the wall outlet. The AC power indicator turns green when the cord is connected to a power source.

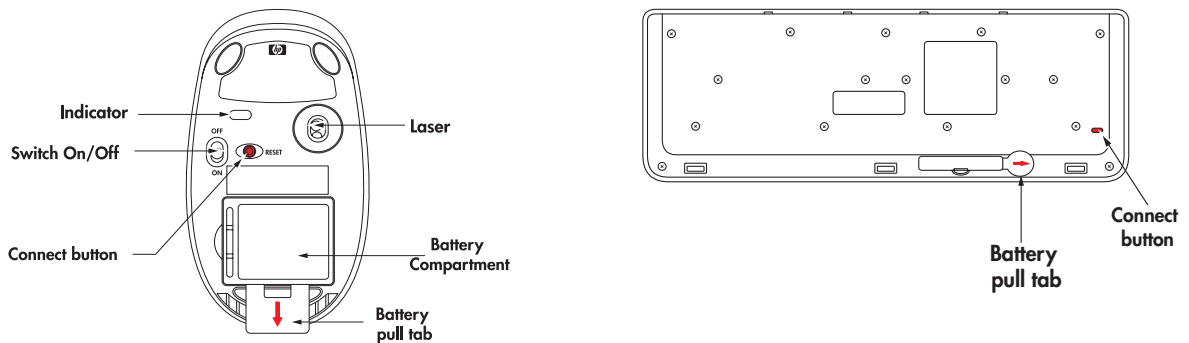
# Setting up the wireless keyboard and mouse



**CAUTION: You must follow the steps in the order listed to enable your keyboard and mouse to work with your HP TouchSmart PC.**

To set up the wireless keyboard and mouse:

- 1 Engage the batteries by pulling out the battery tabs from the bottom of the mouse and the keyboard.



- 2 For the mouse only, move the switch on the bottom of the mouse to the On position.
- 3 Place the mouse and the keyboard on the same surface as the HP TouchSmart PC and within 12 inches (30 centimeters) of it.
- 4 When the HP TouchSmart PC is turned on, the keyboard and mouse automatically syncs.
- 5 If the mouse or the keyboard does not work properly, you may have to manually sync them or replace the batteries. See “Manually sync the wireless keyboard or mouse” or “Replacing batteries in the keyboard or mouse.”

## Turning on the HP TouchSmart PC

Press the On/Standby button on the front of the HP TouchSmart PC to easily turn on your HP TouchSmart PC. It takes about 20 minutes to complete the initial setup by following the onscreen instructions.

You are ready to begin using your HP TouchSmart PC.

For more information, see “Turning On Your HP TouchSmart PC for the First Time” in the *Getting Started* guide.

You can also turn the HP TouchSmart PC on or in Standby mode by pressing the On/Standby button on keyboard or the remote control.

# Using the Wireless Keyboard or Mouse

You can use the keyboard within approximately 9.8 feet (3 meters) and the mouse within approximately 9.8 feet (3 meters) of the HP TouchSmart PC.

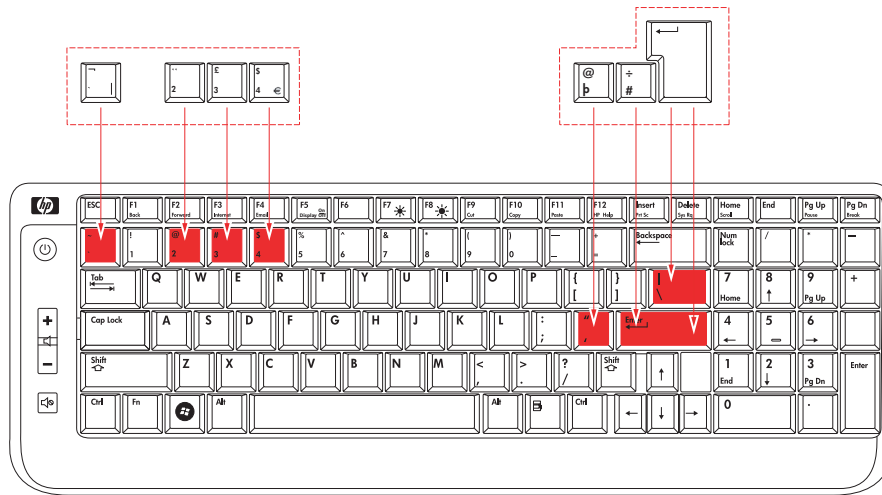
## Using the wireless keyboard

This section describes some information about the wireless keyboard. For more information about keyboards, refer to "Using the Keyboard" in the *Getting Started* guide.

Your keyboard is either a US version or a UK version.

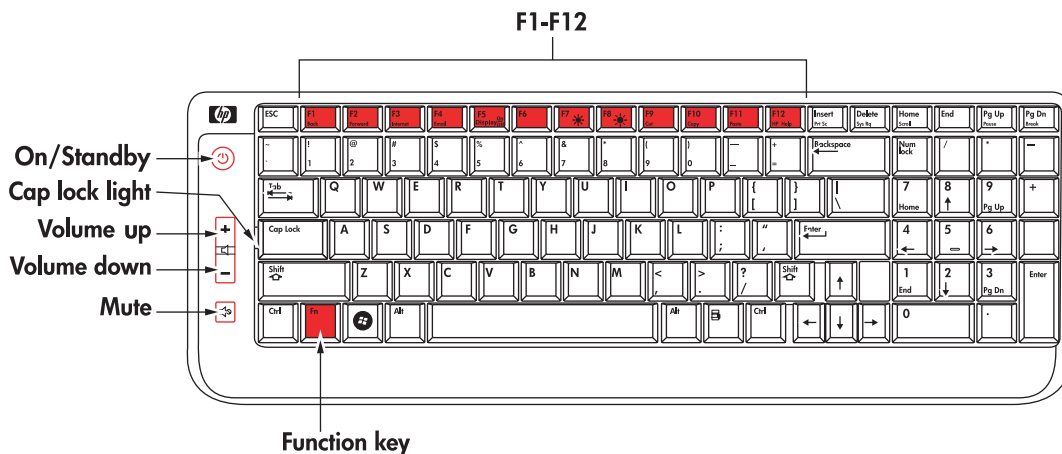
### Keyboards

US Keyboard is shown. UK key differences are shown above the keyboard.




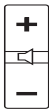













### Special keyboard buttons

The wireless keyboard has some special buttons and keys. The Caps Lock key is used to lock the keyboard to capital letters. When the Caps Lock is on, the Caps Lock light flashes briefly each time a key is pressed.



You can customize some of the special buttons on the keyboard to open different programs or files, or to go to favorite Web sites. For more information, see "Customizing the keyboard buttons" in the *Getting Started* guide.

## Special Keyboard Buttons

Button or key	Description
	<b>On/Standby</b> turns the HP TouchSmart PC on or puts the HP TouchSmart PC into standby or sleep mode.
	<b>Volume Up</b> and <b>Volume Down</b> adjust the speaker sound level.
	<b>Mute</b> turns the sound off or on.
	The <b>Function (Fn)</b> key acts as a shift-down key for the Function keys; press Fn with a Function key (F1 through F12) to select the lower feature of the key.
	The <b>Back</b> key (press Fn+F1) moves back one window or Web page.
	The <b>Forward</b> key (press Fn+F2) moves forward one window or Web page.
	The <b>Internet</b> key (press Fn+F3) opens your Internet browser. Can be configured to open any Web site or software program.
	The <b>E-mail</b> key (press Fn+F4) opens the e-mail program. Can be configured to open any Web site or software program.
	The <b>Display On/Off</b> (press Fn+F5) turns off the display. Press the Display On/Off (press Fn+F5) again to turn the display back on.
	The <b>Brightness Down</b> (press Fn+F7) and <b>Brightness Up</b> (press Fn+F8) adjust the screen brightness.
	
	The <b>Cut</b> key (press Fn+F9) removes the selected item and creates a copy that can be pasted.
	The <b>Copy</b> key (press Fn+F10) copies the selected item.
	The <b>Paste</b> key (press Fn+F11) pastes the selected item.
	The <b>HP Help</b> key (press Fn+F12) opens Help and Support.

## Using the wireless mouse

The cursor on the screen moves when you move the mouse. The wireless mouse operates with a Class 1 laser beam, which you cannot see. The mouse indicator light on the bottom of the mouse blinks when you turn it upside down to show that the batteries and the laser are working, and that the laser is off to protect you. Do not store the mouse upside down.

To use the mouse, move the switch on the bottom of the mouse to the On position. Use the mouse on most surfaces.

To conserve battery power, when not in use, move the switch on the bottom of the mouse to the Off position before storing the mouse.

For more information about the mouse, refer to “Using the Mouse” in the *Getting Started* guide.

## Replacing batteries in the keyboard or mouse

Review these tips:

- When the unit does not operate properly, replace the batteries in the keyboard or mouse.
- Do not mix different types of batteries together. For example, do not mix rechargeable and non-rechargeable, alkaline and carbon-zinc (Ni-Cd), or old batteries with fresh ones.
- Be sure to place the batteries in the correct position (+ on the battery matching the + in the battery compartment). Reversed batteries may cause damage to the device.
- When not using the mouse or keyboard for a couple weeks or more, remove the batteries to prevent damage or injury from possible battery leakage.
- Do not try to recharge batteries that are not intended to be recharged; they can overheat and rupture. Follow the battery manufacturer’s directions for the batteries you are using.
- Always remove batteries as soon as they become weak. Weak batteries can leak and severely damage the unit. The battery life depends on how much the unit is used.
- Do not take apart the batteries, heat them, or throw them into a fire.

### To replace the batteries:

- 1 For the mouse only, move the switch on the bottom of the mouse to the Off position.
- 2 Remove the battery cover from the bottom of the keyboard or mouse.
- 3 Remove the batteries.
- 4 Insert new batteries, matching the orientation shown on the housing. Use four AAA batteries for the keyboard, and two AA batteries for the mouse.
- 5 Replace the battery cover.
- 6 For the mouse only, move the switch on the bottom of the mouse to the On position.
- 7 Place each unit on the same surface as the HP TouchSmart PC and within 39 inches (1 meter) of it.
- 8 With the HP TouchSmart PC turned on, the keyboard/mouse connect indicator on the front of the HP TouchSmart PC lights when the keyboard and mouse are synced (recognized). The unit should be automatically recognized in about 5 seconds. Press a key on the keyboard or move the mouse to check operation.

---

**NOTE:** The keyboard and mouse do not lose sync during a battery charge.

---

If either unit does not work properly, you may have to manually sync them. See “Manually sync the wireless keyboard or mouse.”



## Manually sync the wireless keyboard or mouse

Use these steps to manually sync the keyboard or mouse with the HP TouchSmart PC when either unit does not work properly after replacing the batteries.

- 1 For the mouse only, move the switch on the bottom of the mouse to the On position.
- 2 Place the keyboard or mouse on the same surface and within close proximity (12 inches or 30.5 centimeters) as the HP TouchSmart PC.
- 3 Using a ball point pen, press and hold the keyboard/mouse Connect button on the front of the HP TouchSmart PC until the indicator light blinks. You have 60 seconds to complete step 4 or 6.
- 4 For the keyboard, press the Connect button on the bottom until the Caps lock indicator light (located on top next to the Caps lock key) starts blinking. The sync should occur within 5 seconds.
- 5 Repeat step 3 to begin the syncing of the mouse.
- 6 On the bottom of the mouse, press the Connect button until the indicator light starts blinking. The syncing should occur within 5 seconds.
- 7 If the keyboard or mouse does not operate properly, repeat steps 1 through 6.

---

**NOTE:** After pressing the Connect button on the system, press only the Connect button on the keyboard or the mouse. Pressing another key may cause the sync to take longer or to time out. If the receiver times out, you must press the system Connect button until the LED blinks, and then press the keyboard or the mouse Connect button until the LEDs blink.

---

# Connecting the TV Signal Source to the PC

**NOTE:** The number and type of cables required to connect your HP TouchSmart PC may vary by model.

You may need to purchase extra cables separately. Your HP TouchSmart PC may not include all the cables you need for your computer setup, and the cables included may vary by model.

Use these steps to connect the TV signal source, the FM signal antenna, or video and audio from a set-top box or DVD player. Some HP TouchSmart PC models have only the TV connector.

Shown below are three different TV tuner connectors your HP TouchSmart PC may include:

## TV/In Cable antenna connector only

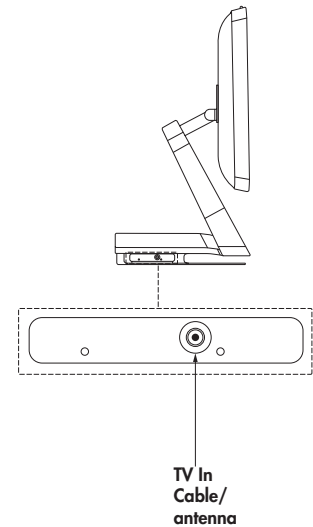
If your TV tuner looks like this, follow this procedure:

- 1 Connect the coaxial cable from your TV antenna or TV cable provider to the TV In connector on the left side of the HP TouchSmart PC.

Or

Plug an S-V/Cable antenna video cable into the S-Video connector in the front Connectivity Center of the HP TouchSmart PC. Plug the other end of the cable into your set-top box or other device that is providing the signal source for the TV.

- 2 If you are using the S-Video connector, plug audio cables from your set-top box into the audio left and right connectors in the front Connectivity Center of the HP TouchSmart PC.
- 3 If you are using the set-top box, connect the IR emitter cable. See "Connecting the IR emitter."



## FM antenna, TV In, S-Video, Video Composite, left and right audio connectors

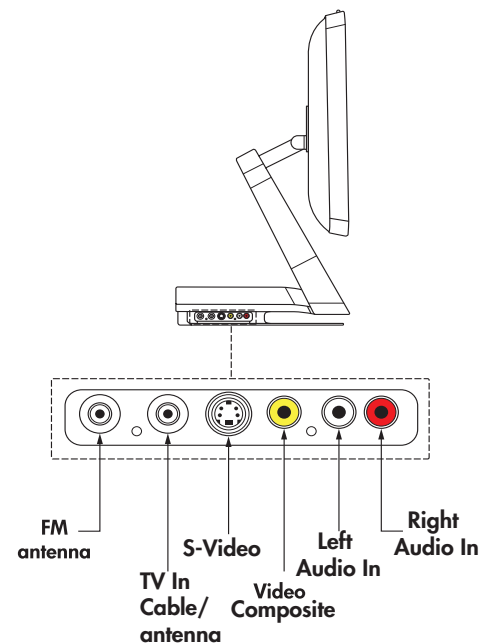
If your TV tuner looks like this, use the following procedure:

- 1 Connect the coaxial cable from your TV antenna or TV cable provider to the TV In/Cable/Ant connector on the left side of the HP TouchSmart PC.

Or

Plug a cable into the S-Video or Video (composite) connector on the left side of the HP TouchSmart PC; use an S-Video cable or composite video cable. Plug the other end of the cable into your set-top box or other device that is providing the signal source for the TV.

- 2 If you are using the S-Video or video connector, plug audio cables from your set-top box into the audio left and right connectors on the left side of the HP TouchSmart PC.
- 3 Push the coaxial cable from your FM antenna or signal provider onto the FM connector on the left side of the HP TouchSmart PC.
- 4 If you are using the set-top box, connect the IR emitter cable. See "Connecting the IR emitter."



## FM antenna, TV In, HDTV/ATSC, S-Video, left and right audio connectors

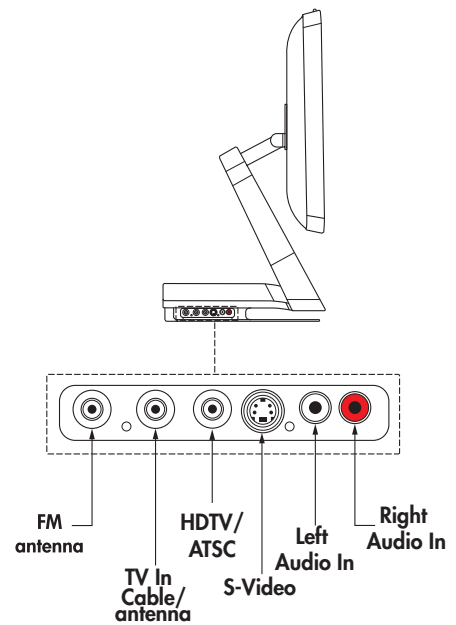
If your TV tuner looks like this, use the following procedure:

- 1 Connect the coaxial cable from your TV antenna or TV cable provider to the Cable/Ant connector on the left side of the HP TouchSmart PC.

Or

Plug a cable into the S-Video or video (composite) connector on the left side of the HP TouchSmart PC; use an S-Video cable or composite video cable. Plug the other end of the cable into your set-top box or other device that is providing the signal source for the TV.

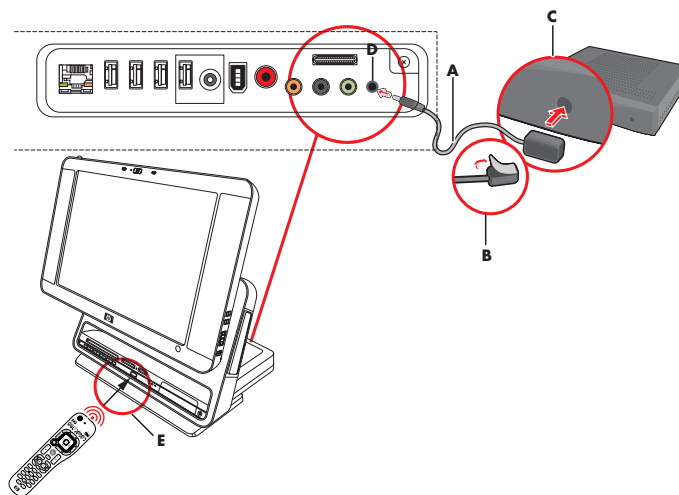
- 2 If you are using the S-Video or video connector, plug audio cables from your set-top box into the audio left and right connectors on the left side of the HP TouchSmart PC.
- 3 Push the coaxial cable from your FM antenna or signal provider onto the FM connector on the left side of the HP TouchSmart PC.
- 4 If you are using the set-top box, connect the IR emitter cable. See "Connecting the IR emitter."



## Connecting the IR emitter

The remote infrared emitter cable is a small device that connects to the HP TouchSmart PC at the IR Out connector and covers the remote sensor on a set-top box. It enables the remote control that came with your HP TouchSmart PC and the Windows Media Center program to operate the set-top box.

- 1 If you have a cable TV set-top box, a satellite set-top box, or another set-top box that controls your TV signal, connect the IR emitter cable (A) to IR Out connector (D) on the back of the HP TouchSmart PC.
- 2 Remove the paper from the backing tape on the end of the cable (B), and then press the end of the cable over the remote infrared (IR) sensor (receiver) window on the set-top box (C). To locate the remote infrared sensor window, shine a flashlight through the plastic on the front of the set-top box.
- 3 In the Windows Media Center, select the channel using the screen, the display channel buttons, or the remote control channel buttons. When using the remote control, point the remote control at the HP TouchSmart PC front (E), not at the set-top box.



# Connecting an HP Photo Printer

Some HP photo printer models (A510 Series and A610 Series sold separately) can be placed on the printer dock on the back of the HP TouchSmart PC to provide a photo kiosk experience at home and save counter space at the same time. You can power the HP printer without using a separate power cable by connecting the printer to your HP TouchSmart PC using the included HP printer Y-cable.

---

**NOTE:** If using the HP printer (USB and power) Y-cable to connect the HP printer to the HP TouchSmart PC, when the HP TouchSmart PC goes into sleep mode, the printer batteries do not charge and printing may be terminated. The HP TouchSmart PC must remain operational while printing completes.

---

## Connecting a printer

- 1 Connect cabling to the printer:

---

**NOTE:** Printer installation procedure varies based on manufacturer. Follow manufacturer instructions.

---

- Open the paper output tray of an HP Photosmart A510 or A610 Series printer (sold separately) and place it on the back of the HP TouchSmart PC. Connect the HP printer (USB and power) Y-cable to the printer AC power cord connector and USB connector.

Or

- Connect the power cord and USB cable to the printer. Plug the power cord into a power source.

- 2 Connect cabling to the HP TouchSmart PC:

- Connect the other end of the HP printer Y-cable to the paired USB connector and HP printer power connector on the back of the HP TouchSmart PC.

Or

- Connect the USB cable to the back of the HP TouchSmart PC.

- 3 Turn on the printer.

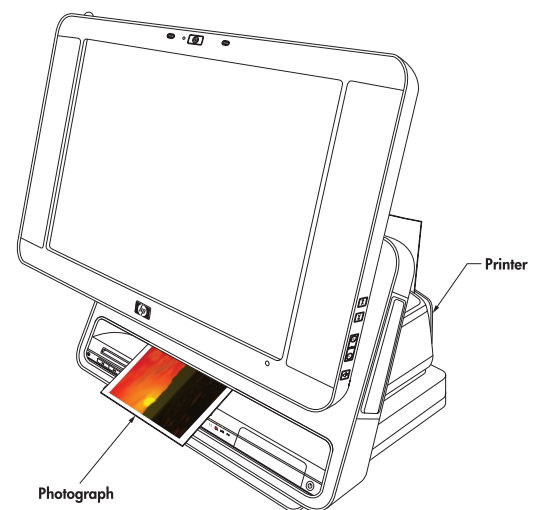
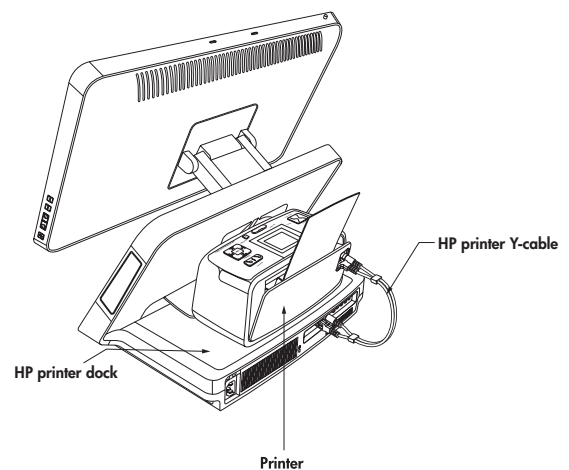
- 4 To print a photo, open the back of the photo printer and insert photo paper.

- 5 Print the photo. The photo ejects out of the printer and through the front of the HP TouchSmart PC. For information about using the printer, refer to "Using a Printer" in the "Managing Files" chapter of the *Getting Started* guide.

---

**NOTE:** If your photo doesn't print, make sure the paper output tray and the back of the printer are open for the paper to eject properly.

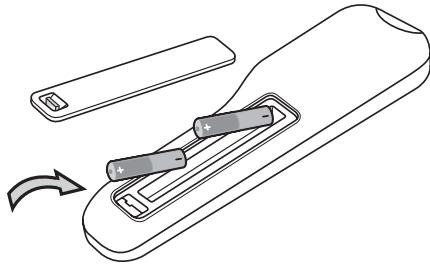
---



# Setting Up the Remote Control

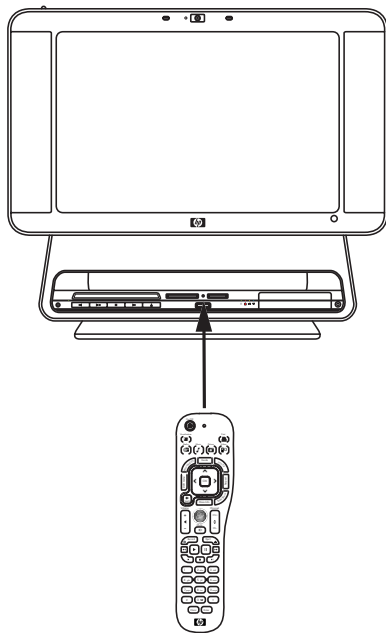
## Setting up the remote control to use with Windows Media Center

Remove the back cover of the remote control and insert two AA batteries in the remote control. Make sure the batteries are inserted in the correct direction with the + and – symbols on the batteries matching the ones on the remote control.



## Using the remote control

Point the remote control at the remote control sensor at the front of the HP TouchSmart PC, and press a button.



Pressing the On/Standby button turns the HP TouchSmart PC on or puts it in Standby (sleep) mode.

For more information about the remote control, refer to “Using the Windows Media Center Remote Control” in the *Getting Started* guide.