

- 3 Select the editing option, such as **Crop**.



- 4 Select your cropping option of **Landscape**, **Portrait**, or **Custom**, press and drag the cropping arrows until you have the cropped image you want, and then select **Apply**.




- 5 Press **Done**.

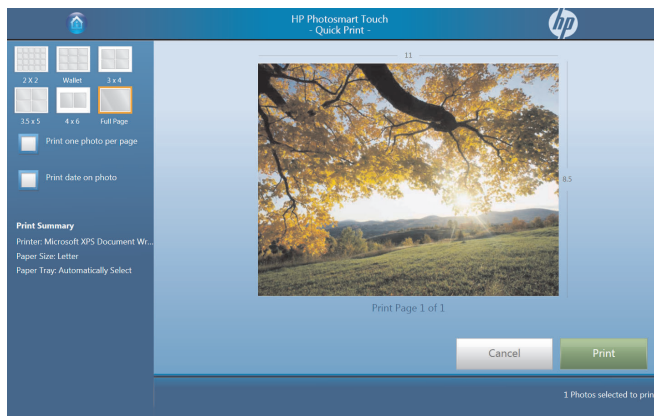
NOTE: You may need to refresh the window to view your edited picture in your HP Photosmart Touch folders.

Printing pictures in HP Photosmart Touch

You need to connect your printer and install any printer software before you can print from HP Photosmart Touch.

- 1 Open HP Photosmart Touch.
- 2 Select the photo you want to print by clicking the bottom-left corner. A check mark is displayed when a photo is selected.
- 3 Press the **Print**  icon at the bottom of the window.

- 4 Select your print options, and then press **Print**.




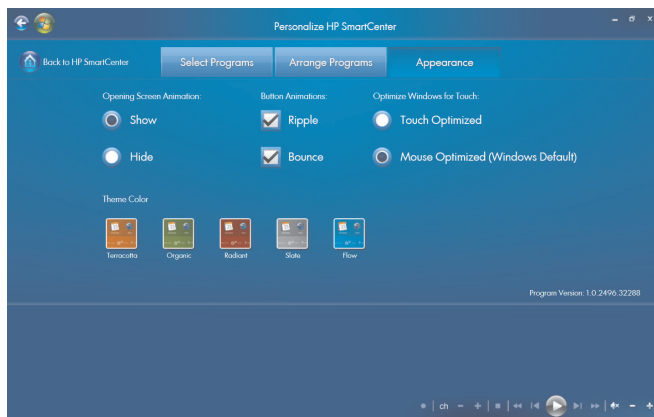
- 5 Follow any onscreen printing instructions.


Other HP SmartCenter Features

Personalizing your HP SmartCenter page


To change the look of your HP SmartCenter page:

- 1 Open the HP SmartCenter page.
- 2 Press or click the **Personalize**  icon.
- 3 Select the **Appearance** tab.



- 4 Select your HP SmartCenter page settings:
 - Under *Opening Screen Animation*, select **Show** or **Hide**.
 - Under *Button Animation*, check or uncheck **Ripple** or **Bounce**.
 - Under *Optimize Windows for Touch*, select **Touch Optimized** or **Mouse Optimized**.
 - Under *Theme Color*, select a color.
- 5 Press the **Back to HP SmartCenter**  icon when you are finished.


Changing what you can launch from HP SmartCenter

- 1 Open the HP SmartCenter page.
- 2 Press or click the **Personalize**  icon.
- 3 Select the **Arrange Programs** tab.
- 4 Click and drag the shortcut icon you want to move over another shortcut icon. When you let go, the shortcuts change position on your HP SmartCenter page.



- 5 Press **Back to HP SmartCenter**  when you are finished.

Adding or removing a Web shortcut on the HP SmartCenter page

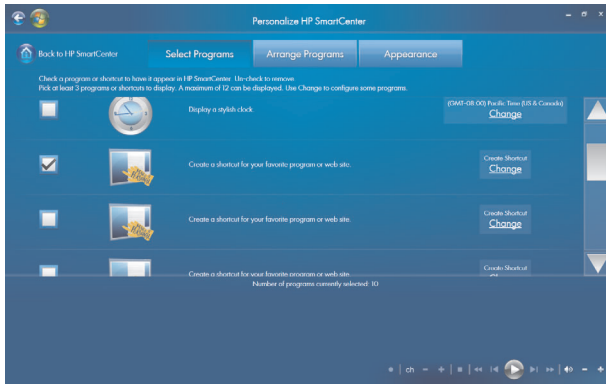
- 1 Open the HP SmartCenter page.
- 2 Press or click the **Personalize**  icon.
- 3 Select the **Select Programs** tab.




- 4 Select the shortcuts you want to appear by placing or removing the check mark next to each item listed. Use the scroll bar on the right side of the screen to view all of the shortcut items.


NOTE: Up to twelve and a minimum of three shortcut icons appear on the HP SmartCenter page at one time.

- To create a new shortcut, place a check mark next to *Create a shortcut for your favorite program or web site*, and then press **Create Shortcut Change** on the right side of the screen.




- Select **Web Page**.
- In the address field, press the touch keyboard icon to enter the Web address by touch, or you can use your physical keyboard to enter the address.
- Enter your shortcut name.
- Select an icon for your Web page shortcut.
- Press **OK**.
- Press **Back to HP SmartCenter**  when you are finished.

Adding or removing a program shortcut on the HP SmartCenter page

- Open the HP SmartCenter page.
- Press or click the **Personalize**  icon.
- Press the **Select Programs** tab.
- Select the shortcuts you want to appear or remove by placing or removing the check mark next to each item listed.

NOTE: You can have up to twelve and a minimum of three shortcut icons at one time.

- To create a new shortcuts, press **Create Shortcut Change**.
- Press **Program**.
- Press **Browse** to locate a program you want to create a shortcut for, select it, and then press **OK**.
- Press **Back to HP SmartCenter**  when you are finished.

Using the touch screen to access Windows Media Center

You can enjoy your favorite music, TV programs, slideshows, and movies by using Windows Media Center. All of the menus in Windows Media Center are accessible through touch as well as your remote control, keyboard, and mouse. It is your choice.

To open Windows Media Center from the Start menu just press the **Windows Start Button** on the taskbar, and then press **Windows Media Center**.

To open Windows Media Center from the HP SmartCenter just open HP SmartCenter and press the Windows Media Center icon.



To open HP SmartCenter:

- 1 Press the **Windows Start Button** on the taskbar.
- 2 Press **All Programs**.
- 3 Scroll down the Start menu, and then press **HP**.
- 4 Press **HP TouchSmart Programs**.
- 5 Press **HP SmartCenter**.



For more information about using Windows Media Center, refer to the *Getting Started* guide.

Some of the things you can do in Windows Media Center are:

- Use the included remote control or touch screen to quickly and easily access your music, TV programs, movies, and radio.
- Watch TV programs and movies.
- Browse and listen to your music collection.
- Play DVDs and videos.
- Listen to FM and Internet radio.
- Create music CDs and DVDs of your recorded TV programs.

Opening HP SmartCenter from Windows Media Center

- 1 Click the **Windows Start Button** on the taskbar.
- 2 Click **Windows Media Center**.
- 3 From the Windows Media Center menu, scroll to **HP TouchSmart Programs**, and then select **HP SmartCenter**, **HP SmartCalendar**, or **HP Photosmart Touch**.

Access PC updates, PC health and security information, and more with HP Advisor

HP Advisor is available in North America only.

1 Press or click the **Windows Start Button**  on the taskbar.

2 Click **HP Total Care Advisor**.

Or

Press or click **All Programs**, scroll down the Start menu, and then press or click **HP**. Press or click **HP TouchSmart Programs**. Press or click **HP SmartCenter**.

3 Click the **HP Advisor**  icon.



4 From here you can:

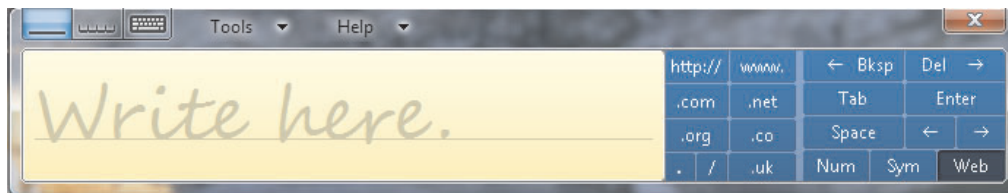
- View security information such as Windows Auto Update and Virus Protection.
- Get PC updates.
- Connect to the Internet and view Internet Service Provider offers.
- View HP warranty information.
- View connected printers and add a printer.
- Launch Microsoft Backup Tool.
- Access PC health and security information.
- Access PC help tools.
- Access PC Action Center, where you can get critical PC alerts, tips, and tricks regarding keeping your PC in good working order.

Using Tablet PC software to enter text with the touch screen

Use Microsoft Tablet PC to enter text in any software program or Internet text field without using the keyboard. You can use the stylus or your touch to enter text on the touch screen by using the onscreen keyboard. Use the writing pad or the character pad to convert your handwriting into typed text, or use the onscreen keyboard to enter characters.

To open the Tablet PC Input Panel:

- 1 Press the **Windows Start Button** on the taskbar.
- 2 Press **All Programs, Accessories, Tablet PC**, and then **Tablet PC Input Panel**.



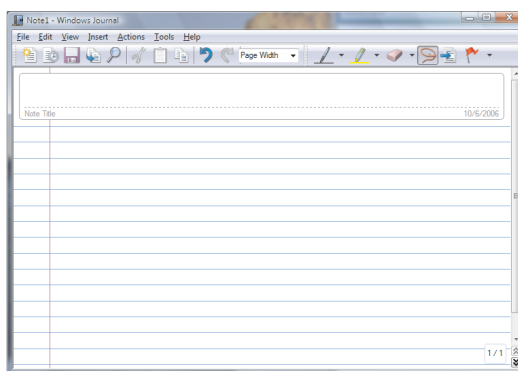
- 3 To move or dock the window to the side of your screen, just press the close button.
- 4 To move it back to the middle of the desktop, just touch and press it.
- 5 Use your stylus or your touch to write a note. You can also use the tools in the Windows toolbar to customize your note

Using Windows Journal software to create hand-written notes and drawings

Use Windows Journal to write or draw using your stylus on the touch screen. You can save your handwriting in a note, convert the writing to type-written text, or just leave your handwriting or drawing as ink in a note. You can also insert pictures into your notes.

To open the Windows Journal:

- 1 Press the **Windows Start Button** on the taskbar.
- 2 Press **All Programs, Accessories, Tablet PC**, and then **Windows Journal**.



- 3 Use your stylus or your touch to write a note or draw a picture. You can also use the tools in the Windows Journal toolbar to customize your note.
- 4 To save your note, press the **File** menu and press **Save**.

Upgrading the HP TouchSmart PC

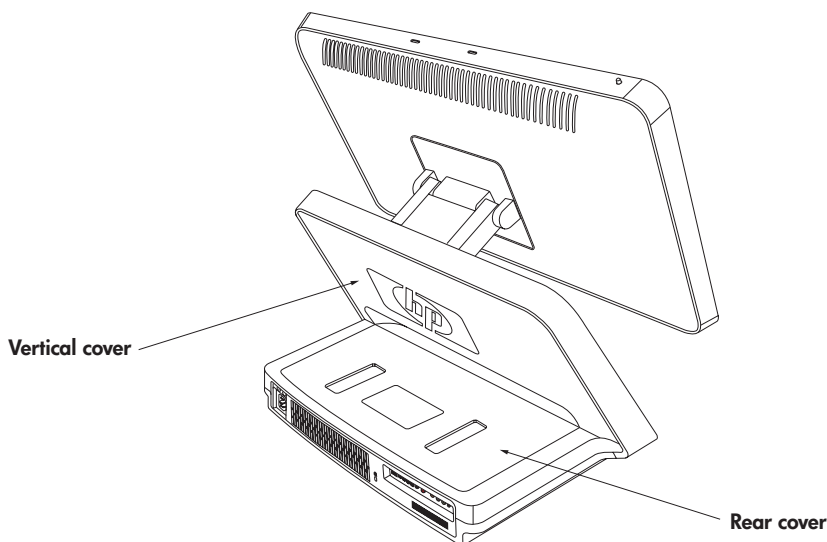
Safety Information

This product has not been evaluated for connection to an "IT" power system (an AC distribution system with no direct connection to the earth, according to IEC 60950).



WARNING: Please read "Additional Safety Information" in the *Limited Warranty and Support Guide* before installing and connecting your system to the electrical power system.

Opening and Closing the HP TouchSmart PC



Preparing the HP TouchSmart PC

Before you upgrade any component in your HP TouchSmart PC, you need to prepare the HP TouchSmart PC so that you can safely handle it and the components.

Read the following items before attempting to upgrade or service the HP TouchSmart PC.

- 1 These procedures assume familiarity with the general terminology associated with personal computers and with the safety practices and regulatory compliance required for using and modifying electronic equipment.
- 2 Write down and save the system model and serial numbers, all installed options, and other information about the system. It's easier to consult this information than to open and examine the computer.

- 3 It is recommended that you use an antistatic wrist strap and a conductive foam pad when working on the system.



WARNING: Always disconnect the HP TouchSmart PC from the power source before removing the rear or vertical cover of the HP TouchSmart PC. Failure to do so before you open the HP TouchSmart PC or do any procedures can result in personal injury or equipment damage.

Before opening the HP TouchSmart PC

To avoid injury and equipment damage, always follow this procedure in this order before opening the HP TouchSmart PC.

- 1 Remove any media (CD, DVD, memory cards, USB devices, external hard disk drives) from the HP TouchSmart PC.
- 2 Click the **Windows Start Button**, and then click **Shut Down**.



CAUTION: To reduce the risk of personal injury from electrical shock or hot surfaces, disconnect the power cord from the wall outlet, and allow the internal system components to cool before touching.

- 3 Disconnect the power cord from the electrical outlet and then from the HP TouchSmart PC.
- 4 Disconnect all other attached cables from the rear of the HP TouchSmart PC.
- 5 Disconnect all external devices.



CAUTION: Static electricity can damage the electronic components of the HP TouchSmart PC or optional equipment. Ensure that you are discharged of static electricity by briefly touching a grounded metal object.

After closing the HP TouchSmart PC

To avoid injury and equipment damage, always follow this procedure in this order after closing the HP TouchSmart PC.

- 1 Reconnect the power cord.



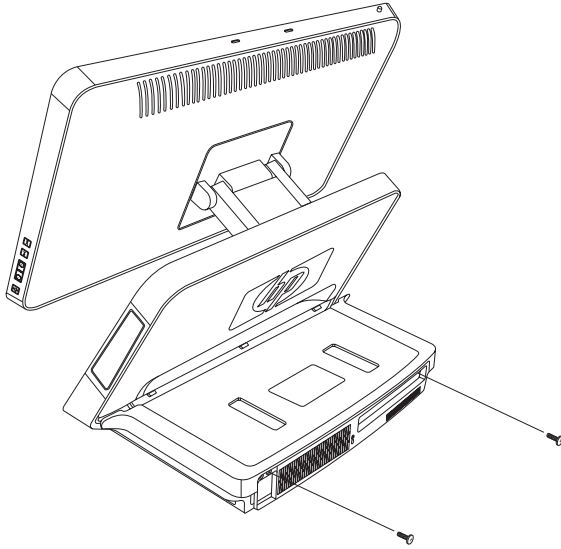
WARNING: To reduce the risk of electrical shock, fire, or damage to the equipment, do not plug telecommunications or telephone connectors into the network interface card (NIC) (labeled as LAN).

- 2 Reconnect all other cables.
- 3 Reconnect external devices.
- 4 Turn on the HP TouchSmart PC and all peripherals such as the monitor.

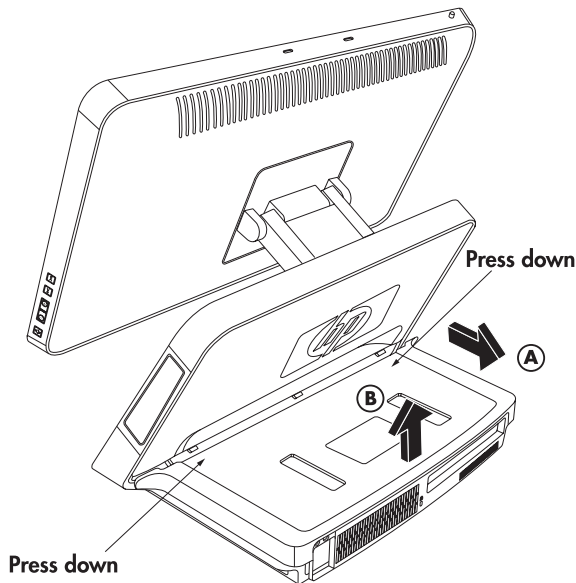
Removing the rear cover

This procedure is necessary when removing and upgrading memory.

- 1 See "Opening and Closing the HP TouchSmart PC" on page 45.
- 2 Remove the two screws that secure the rear cover to the HP TouchSmart PC chassis. Keep the screws for later.



- 3 Pull the rear cover back about 1/2 in (1.27 cm) **(A)**. If necessary, gently push down on the cover while pulling back.



- 4 Lift the rear cover and remove from the chassis **(B)**.



WARNING: Beware of sharp edges inside the chassis.

Replacing the rear cover

- 1 Place the rear cover in the proper position on the chassis and about 1/2 in (1.27 cm) back from the vertical cover.
- 2 Slide the rear cover toward the front of the chassis until the rear of the cover is flush with the rear I/O area of the chassis.
- 3 Ensure that the holes for the screws align with the holes in the chassis, and then replace the two screws.

Removing the vertical cover

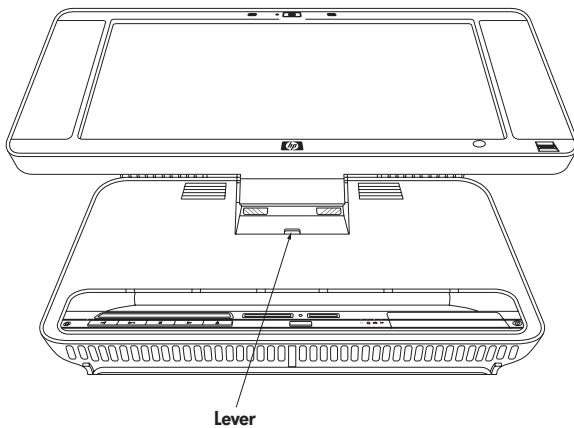
This procedure is necessary when removing or replacing the hard disk drive.

- 1 See "Opening and Closing the HP TouchSmart PC" on page 45.

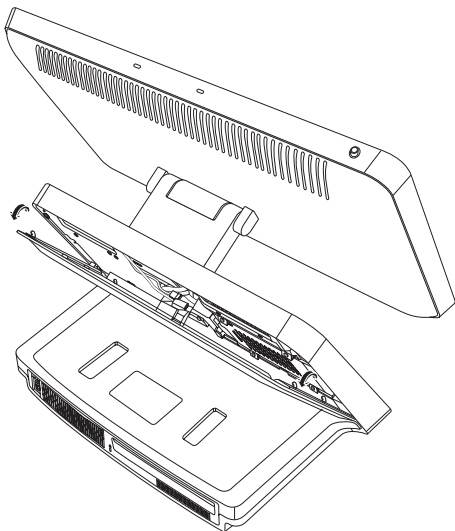


CAUTION: To reduce the risk of personal injury from electrical shock or hot surfaces, disconnect the power cord from the wall outlet, and allow the internal system components to cool before touching.

- 2 If necessary, raise the display (monitor) until the pocket behind the monitor is accessible.
- 3 While holding the back of the vertical cover, push and hold down the lever on the front of the vertical cover. This lever is located in a pocket behind the display (monitor) portion of the HP TouchSmart PC.



- 4 While holding down the lever, pull the vertical cover up and remove from the chassis.



Replacing the vertical cover

- 1 Align and insert the hooks on the vertical cover into the holes on the back of the chassis.
- 2 Reach behind the display, and hold down the lever on the vertical cover while sliding the vertical cover down and into place on the back of the vertical chassis.

Adding Memory

Your HP TouchSmart PC comes with random access memory (RAM), which temporarily stores data and instructions on your HP TouchSmart PC. The HP TouchSmart PC ships with two memory modules, but you can replace the existing memory modules with higher-capacity ones.

The motherboard contains sockets for SO-DIMMs (small outline dual in-line memory modules).

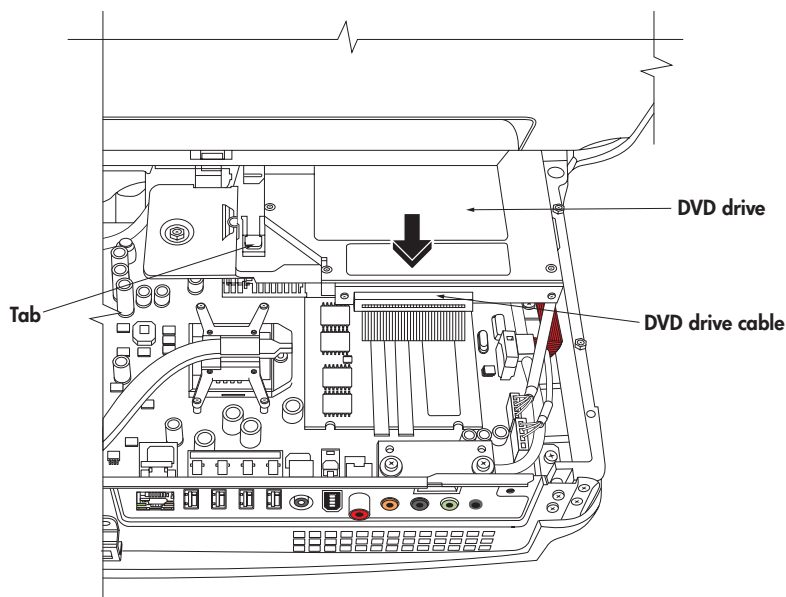
To determine which type and speed of memory module your HP TouchSmart PC uses, and for specific memory module information and specifications, go the Web site listed in your *Limited Warranty and Support Guide*, and click the **Support** link.



WARNING: Using the wrong type of memory module could damage the system.

Removing a memory module

- 1 Complete the procedures to prepare the HP TouchSmart PC and to remove the rear cover. See "Opening and Closing the HP TouchSmart PC" on page 45.
- 2 Remove the cable from the DVD drive.



- 3 Lift the tab at the left side of the DVD drive and slide the drive straight back.
- 4 Move the DVD drive cable away from the memory module beneath it.

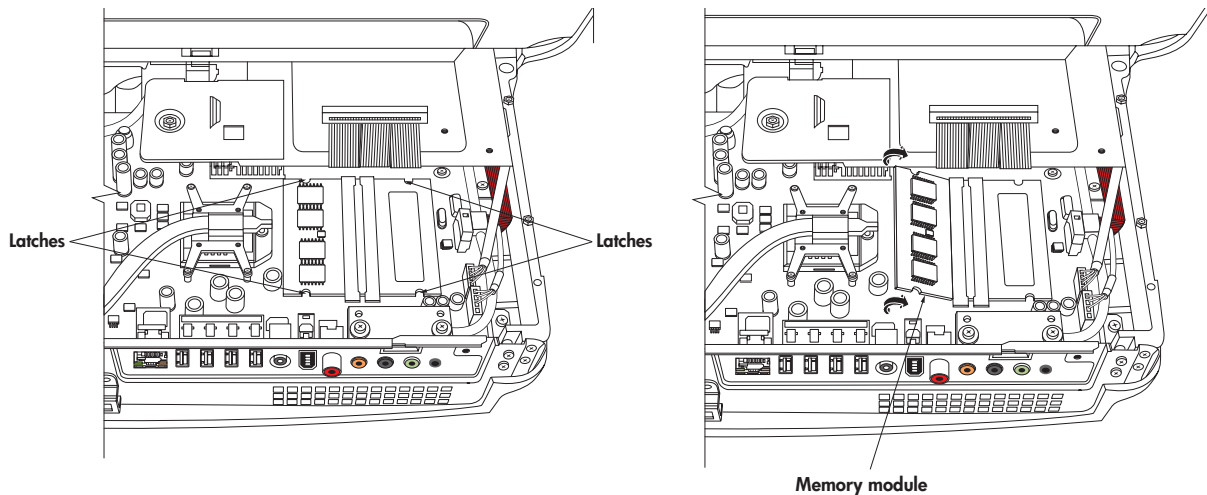


CAUTION: When handling a memory module, be careful not to touch any of the contacts. Doing so may damage the module.



WARNING: Do not pull the memory module out of the socket. Use the latches of the retaining clips to remove the module.

- 5 Push the two latches of the retaining clips away from the memory module. The memory module pops up at an angle.



- 6 Lift the memory module from the memory socket. Note the location of the key slot on the connector edge.

Installing a memory module

Upgrade the memory in your HP TouchSmart PC with memory of the same type and speed as the memory originally installed in your HP TouchSmart PC. The two memory modules must be identical in type, speed, and capacity.



CAUTION: When handling a memory module, be careful not to touch any of the contacts. Doing so may damage the module.

- 1 With the DVD cable moved out of the way, align the memory module with the socket, so the key slot on the connector edge is same as the module removed.

NOTE: The sockets are keyed. If the module slot does not match the socket, turn the memory module over.

- 2 Slide the memory module into the socket at the same angle it was removed.
- 3 Push the outer edge of the memory module down until the retaining clip latches catch.
- 4 Move the DVD cable out of the way and insert the DVD drive. Slide the drive in until the tab catches.
- 5 Reconnect the DVD drive cable.
- 6 Complete the procedures to replace the rear cover, and close the HP TouchSmart PC. See "Opening and Closing the HP TouchSmart PC" on page 45.

NOTE: If a blank screen is displayed after replacing or adding a memory module, the memory is installed incorrectly or it is the wrong type of memory. Remove and reinstall the memory module.

Removing and Replacing the Hard Disk Drive

You can replace or upgrade the hard disk drive.

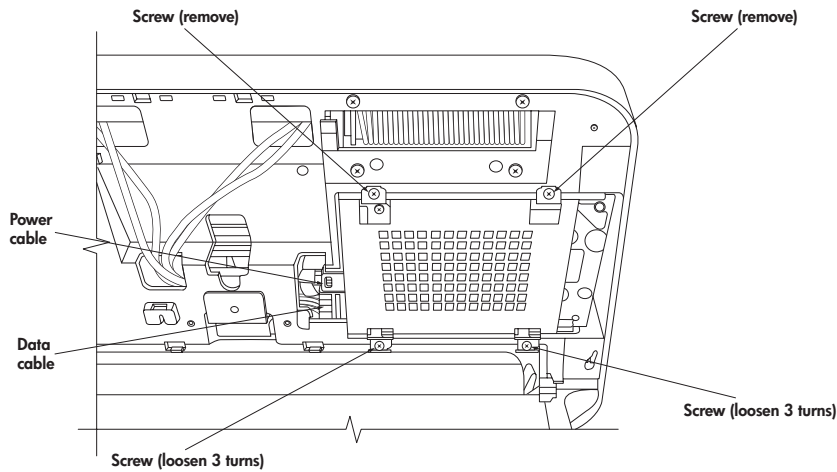
The hard disk drive is a Serial ATA (advanced technology attachment) drive, which uses a narrow data cable.



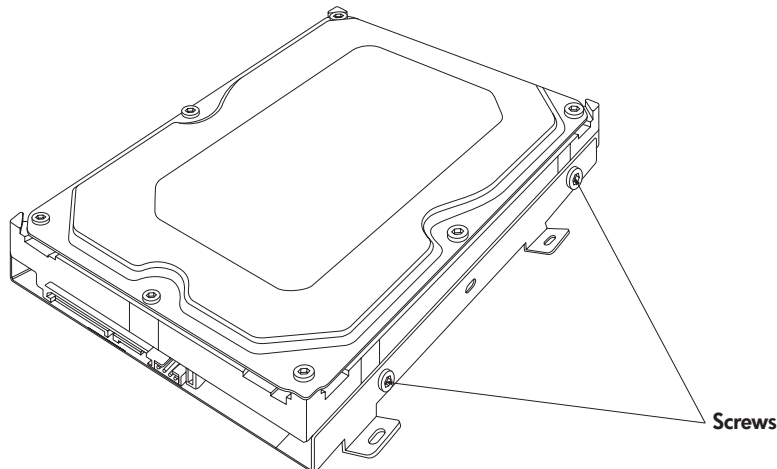
CAUTION: Back up your personal files on the hard disk drive to an external storage device, such as a CD, before removing the hard disk drive. Failure to do so may result in data loss. After replacing the hard disk drive, you need to run System Recovery using recovery discs to load the factory-installed files. See the user documentation that came with your HP TouchSmart PC for details about the recovery procedure.

Removing the hard disk drive

- 1 Complete the procedures to prepare the HP TouchSmart PC to remove the vertical cover. See “Opening and Closing the HP TouchSmart PC” on page 45.
- 2 Loosen the two bottom screws on the hard disk drive cage three turns.

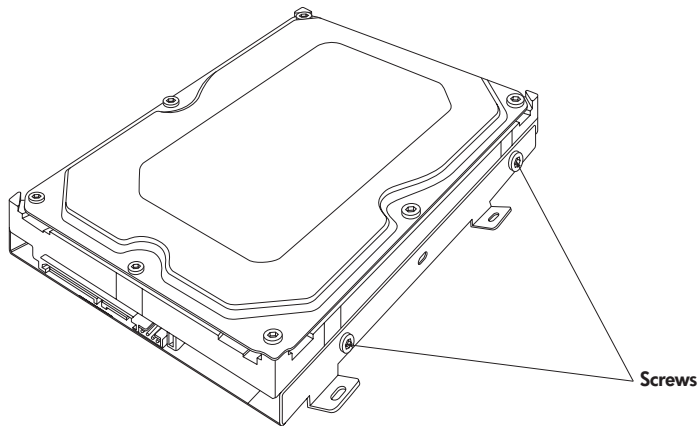


- 3 Remove the two top screws from the hard disk drive cage.
- 4 Lift the cage up off the two bottom screws and out of the chassis.
- 5 Disconnect the power and data cables from the back of the drive. Squeeze the latch on the SATA connector to remove the data cable.
- 6 Remove the four screws from the cage, and lift the sides of the hard disk drive from the cage.

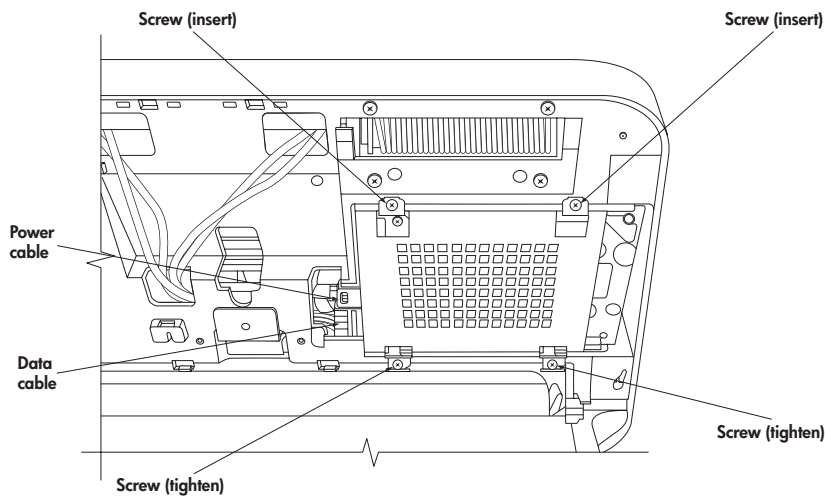


Replacing the hard disk drive

- 1 Complete the procedures to remove the hard disk drive, if necessary. See “Removing the hard disk drive” on page 51.
- 2 Place the hard disk drive into the cage and insert the four screws.



- 3 Connect the power and data cables to the hard disk drive.
- 4 Place the hard disk drive cage over the two bottom screws and into the chassis.



- 5 Insert the two top screws and tighten the two bottom screws.
- 6 Complete the procedures to replace the vertical cover and close the HP TouchSmart PC. See “Opening and Closing the HP TouchSmart PC” on page 45.

Locating Information About Your Computer

This section is an index to information about your computer. The information is located in this guide and other guides that have been included with your computer.

- **HP TouchSmart PC User Guide** (this guide), a printed guide with specific information about the HP TouchSmart PC product. References are listed as **black page numbers UG-#**.
- **Getting Started** guide, included on your computer is an onscreen guide, provides information about using your HP computer, the Microsoft Windows Vista operating system, the Windows Media Center, and some of the hardware and the software programs included with the computer. References are coded as **green page numbers: GS-#**.
- **Limited Warranty and Support guide**, a printed guide, provides information about your computer warranty and how to obtain support. References are listed as **blue page numbers: WS-#**.
- **Troubleshooting and Maintenance Guide**, a printed guide, provides information about tasks you can perform to ensure the trouble-free operation of your computer and to ease the recovery of important information on your computer should problems arise in the future. It also contains a series of tables that describe solutions you can try to resolve problems that may occur when you install and use your computer. References are listed as **red page numbers: TM-#**.

How to locate information

Locate information by looking in the entries under the main task or subject.

For example, to locate a figure showing where the DVD slot is on the computer, look under *D* for the term *DVD*, then look for a listing from the User Guide such as *drive slot*, **UG-3**.

Viewing the *Getting Started* guide, or more information

The *Getting Started* guide is an onscreen guide.


Onscreen guides are available in the User Guides folder on your computer.

- 1 Click the **Windows Start Button** on the taskbar.
- 2 Click **All Programs**.
- 3 Click **User Guides**.
- 4 Click the guide name, such as **Getting Started**, to view the guide.



Finding more information on the Web

You can find copies of your guides and information for your computer by using the Internet to access the Support Web site.

- 1 Go to **http://www.hp.com/support** in your Web browser.
- 2 Select your country/region and language.
- 3 Click **Support and Drivers**.
- 4 Click **See support and troubleshooting information**, enter the model number of your computer, and then click **Search** .
- 5 Click **Manuals**.
- 6 Locate the manual you want, and then do one of the following:
 - Click the title to display the file in Adobe Acrobat Reader (which you can download from the Manuals page if it is not currently installed on your computer).
 - Right-click the title, click **Save Target As**, specify a location on your computer where you want to save the file, rename the file (retaining the .pdf extension), and then click **Save**.

NOTE: Only *Getting Started* guide references are included in the index at this time.

A

- activity lights UG- 2
- adding
 - CD tracks to the music library GS- 92
 - music files to the music library
 - from the hard disk drive GS- 91
- antivirus, installing program GS- 16
- Audio Troubleshooting, TM- 8
- autoscroll GS- 28

B

- batteries UG- 16
 - installing in remote control 35
 - keyboard and mouse UG- 11
 - remote control UG- 16
 - type for remote control GS-35
- bay
 - HP Pocket Media Drive UG- 6
- Bluetooth devices UG- 17
- burning
 - audio and data disc GS-120–GS-125
 - CDs, DVDs GS-119–GS-123
- button
 - computer on/standby UG- 2
 - HP SmartCenter UG- 2
- buttons
 - channel, volume, and mute UG- 3
 - DVD control UG- 2
 - media control or playback GS-24
 - Off, See turning off PC GS-10
 - remote control GS-32
- buttons, keyboard
 - customizing GS-25

C

- calendar
 - using HP SmartCalendar UG- 29
 - viewing UG- 30
- camera
 - using built-in Web camera UG- 24
 - Web camera with indicator UG- 1
- card reader, memory GS-61
- carpal tunnel syndrome GS-5
- CD and DVD Drive Troubleshooting, TM- 9–10
- CDs
 - creating a music CD in Music GS-101, GS-102
 - erasing rewritable GS-120
 - playing in Music GS-96, GS-98
- change the speed of the cursor GS-29
- channel buttons UG- 3

- cleaning UG- 23
- computer
 - connecting the IR emitter UG- 14
 - turning on UG- 8
- Computer Playback GS-149
- connecting
 - FM antenna UG- 13
 - headphones UG- 2
 - printer UG- 15
 - remote IR emitter cable UG- 14
 - to the Internet UG- 18
 - TV signal UG- 13
- connectors UG- 5
 - audio/video UG- 3
- country/region codes GS-111
- cursor speed GS-29
- customizing keyboard buttons GS-25

D

- Declaration of Conformity, WS- 9
- desktop
 - switching from Media Center GS-80
- digital camera, using HP Photosmart Touch UG- 34
- digital images GS-129
 - working with UG- 34
- digital picture GS-61, GS-129
- digital video
 - camera capture GS-142
 - using HP Photosmart Touch UG- 34
- discs
 - drive compatibility GS-57
 - erasing rewritable GS-120
 - features and compatibility GS-58
- Disk Cleanup, TM- 2
- Disk Defragmenter, TM- 3
- Display (monitor) Troubleshooting, TM- 11
- dock
 - printer UG- 5
- documentation, onscreen GS-1
- Drivers, update, TM- 22
- DV camera capture GS-142
- DVD
 - drive slot UG- 2
 - indicator light UG- 2
- DVD movies
 - changing
 - audio settings GS-116
 - language GS-113
 - playing
 - in Media Center GS-112
- DVD Play, features GS-46

E

- End-User License Agreement, WS- 6–8
- erasing rewritable discs GS-120
- error messages
 - Channel information is currently not available GS-159
 - common recording errors GS-173
 - Download Incomplete GS-159
 - Image cannot be displayed GS-133
 - Low Disk Space GS-168, GS-170
 - No data available GS-159
 - Search is unavailable because there is no guide information GS-159
 - The current lineup and/or location selected for the guide is not supported GS-159
 - The guide information is either missing or corrupt GS-159
- errors
 - reducing recording speed GS-121
- Ethernet UG- 18
- event
 - deleting an event from HP SmartCalendar UG- 32
 - scheduling in HP SmartCalendar UG- 30

F

- file type
 - music GS-93, GS-140
 - picture GS-133, GS-139
 - video GS-137, GS-139
- FireWire (IEEE 1394) GS-142, GS-143
- FM Radio GS-104
 - FM Antenna In GS-106
 - FM Tuner In GS-104
 - Preset Radio Stations GS-106, GS-107, GS-108
 - Radio Online GS-109
 - radio tuner input GS-104
 - TV Signal GS-105
- FM radio, see radio

G

- games
 - finding UG- 25
- Guide, see Television Program Guide

H

- Hard Disk Drive Troubleshooting, TM- 12
- Hard Disk Drive upgrade UG- 51
- Hardware Installation Troubleshooting, TM- 12–13
- Hardware Limited Warranty, WS- 2–6
- headphones UG- 2
- Help and Support GS-2
- HP Advisor
 - access PC updates, security information UG- 42
 - accessing UG- 25
 - features UG- 42

- HP Media Drive
 - inserting a drive GS-68
- HP Personal Media Drive GS-67
 - activity and power lights GS-68
 - automatic on and off feature GS-68
 - disconnecting the drive GS-72
 - location and drive letter GS-70
- HP Photosmart Essential GS-46
- HP Photosmart Touch
 - creating your picture library UG- 35
 - opening UG- 34
 - using UG- 25, 34, 35
- HP Pocket Media Drive GS-67
 - bay UG- 6
 - using UG- 6
- HP printer Y-cable UG- 5
- HP SmartCalendar
 - adding user accounts UG- 32
 - creating voice notes UG- 33
 - deleting an event UG- 32
 - using UG- 25, 29
- HP SmartCenter
 - accessing the two-day weather forecast UG- 27
 - adding or removing Web site shortcut UG- 39
 - changing location of shortcuts UG- 39
 - changing time setting UG- 28
 - customizing UG- 38
 - getting help UG- 25
 - opening UG- 26, 29, 41
 - scheduling an event UG- 30
 - what is, using UG- 24
- HP SmartCenter button UG- 2
 - using to open HP SmartCenter UG- 26
- HP Total Care Advisor GS-17
- HP TouchSmart PC screen
 - cleaning UG- 23

I

- indicators
 - activity lights UG- 2
- Internet
 - access UG- 25
 - connecting UG- 18
- Internet Access Troubleshooting, TM- 14–15
- Internet security GS-7, GS-8, GS-103
- IR emitter
 - connecting UG- 14

K

Kensington lock slot UG- 5

keyboard

customizing buttons GS-25

keys UG- 9

replace batteries UG- 11

setting up UG- 8

shortcuts GS-25

special buttons UG- 9

types of buttons GS-19

UK keyboard differences UG- 9

using UG- 9, GS-19

Keyboard and Mouse Troubleshooting, TM- 16–17

L

LAN UG- 17, 18

local area network (LAN) UG- 17

lock

Kensington UG- 5

M

magicSpot GS-145

manual sync, keyboard and mouse UG- 12

Media Center

menu bars GS-80

navigating GS-80

opening with remote control GS-34

playing DVDs GS-112

resizing window GS-80

using with another program open GS-80

what you can do

in Music GS-89

in Radio GS-104

media control buttons UG- 2

memory card, formatting GS-65

memory card reader UG- 34, GS- 129

card types UG- 2, GS-61

in-use light GS-65

troubleshooting GS-66

using GS-61

memory, upgrade UG- 49

microphone

using UG- 24

microphone array UG- 1

mouse

autoscroll GS-28

cursor speed GS-29

panning GS-28

replace batteries UG- 11

setting up UG- 8

storing UG- 1

switching button functions GS-29

using UG- 11

Music GS-89

browse, listen UG- 25

copying music to CD GS-101, GS-102

creating a queue list GS-97

deleting music from the Music library GS-93

finding and playing an album GS-98

playing a song GS-96

playing an album GS-96, GS-98

playing music GS-94

playing with Windows Media Player
GS-111, GS-116

supported file types GS-93

music library

adding CD tracks GS-92

creating GS-91

mute button UG- 3, GS-24

muvee autoProducer

adding a title and credits GS-141

adding music GS-141

adding pictures GS-141, GS-144

adding video GS-141, GS-143

allowing music to repeat GS-146

allowing video and pictures to repeat GS-146

basic steps to create a movie GS-139

changing settings GS-146

copying a movie to disc GS-150

features GS-47

getting started GS-141

getting video from a camera GS-141

making a movie GS-147

previewing a movie GS-148

rotating images clockwise GS-145

selecting style GS-145

setting the duration of video GS-146

upgrading GS-151

using the magicMoments feature GS-144

N

network

wireless UG- 2

Norton Internet Security

configuring GS-44

registering GS-44

note

deleting notes in HP SmartCalendar UG- 33

editing in HP SmartCalendar UG- 33

moving notes to calendar UG- 33

O

Off button, See turning off PC GS-10

On/Standby button UG- 2

Operating Specifications, WS- 10

optical drive quick reference GS-59

optimizing for touch or mouse UG- 21

Optimization setting GS-76, GS-87

P

- panning with the mouse GS-28
- passwords
 - creating GS-15
- PC
 - connecting the IR emitter UG- 14
 - Help & Tools GS-2
 - turning off GS-10
- Performance Troubleshooting, TM- 18–19
- photos
 - transferring to PC UG- 34
- photo slot UG- 2
- pictures GS-129
 - copying pictures to CD GS-136
 - editing GS-133
 - editing in HP Photosmart Touch UG- 36
 - image not displayed GS-133
 - printing UG- 37, GS-133
 - rotating GS-135
 - selecting in HP Photosmart Touch UG- 36
 - types of files it can display GS-133
 - viewing a slide show with music GS-132
- Pictures and Videos GS-129
- pictures, turning captions on or off GS-131
- pictures, viewing GS-131
- pictures, viewing pictures as a slide show GS-132
- playing
 - digital music files GS-94
 - digital videos GS-137
 - DVDs in Media Center GS-112
 - music CDs in Media Center GS-94
 - songs in Music GS-96
- playing music CDs GS-110, GS-117
- playing songs
 - Buy Music option GS-98
 - Visualize option GS-98
- playlist
 - creating in Music GS-100
- pointer device
 - using the stylus UG- 23
- power
 - surge protection UG- 7
- power cord
 - connecting UG- 7
- Power Troubleshooting, TM- 17–18
- printer
 - connecting UG- 15
- printer dock UG- 5
- Program Guide, see Television Program Guide

Q

- queue list
 - creating in Music GS-97

R

- radio
 - connecting antenna to PC GS-104
 - getting reception GS-104
 - organizing radio station presets GS-107
- Radio window GS-104
 - organizing pre-set radio stations GS-107
 - playing FM stations GS-104
 - playing radio in Media Center GS-104
 - recording radio programs GS-107
- RAM, see Memory UG- 49
- RealPlayer, features GS-46
- Recommended Maintenance Schedule, TM- 5–6
- recorded TV GS-172
- recording
 - options GS-165
 - radio programs GS-107
 - TV programs GS-164
 - how to stop recording GS-164
- recording TV
 - standby mode GS-82
- recording TV programs
 - manually GS-166
 - single program or series, canceling GS-164
 - when two are scheduled for the same time GS-165
- recording TV shows
 - making sure a program is being recorded GS-164
 - using the guide GS-165
- Recovery Discs, Creating, TM- 25–26
- Regulatory and Safety Information, WS- 10–13
- remote control
 - buttons GS-32
 - On/Standby (sleep) button UG- 16
 - range GS-34
 - type of battery to use GS-35
 - sensor UG- 16
 - sensor window UG- 1
 - using GS-34
 - using with HP SmartCenter UG- 26
 - using in TV + Movies GS-156
- remote control UG- 1, 16
- remote sensor GS-35
 - using GS-34
- repetitive strain injury (RSI),
 - see *Safety & Comfort Guide* GS-5
- Return to HP SmartCenter button
 - using UG- 26
- rewritable discs, erasing GS-120
- router installation UG- 18
- Roxio Creator
 - erasing discs GS-120

S

- Safety & Comfort Guide GS-5
- safety warnings GS-5
- screen UG- 1
- scrolling with the mouse GS-28
- search
 - pictures in HP Photosmart Touch UG- 36
- searching for programs GS-163
- setting up
 - keyboard and mouse UG- 8
- settings
 - for sound GS-86
 - general GS-86
 - Internet connections GS-86
 - remote control and remote sensor GS-35
- set-top box
 - IR emitter cable for UG- 14
- Shared Video folder GS-136
- shortcuts
 - keyboard GS-25
- shutting down PC GS-10
- sleep mode button GS-22
- slide show
 - displaying information about pictures GS-132
 - viewing pictures GS-132
 - viewing with music GS-132
- Software and Driver Reinstallation, TM- 24
- software programs
 - DVDPlay GS-46
 - Windows Movie Maker GS-48
- sorting TV programs
 - by category GS-172
 - by date GS-172
 - by name GS-172
- speakers UG- 1
- Start menu
 - Media Center GS-78
- stylus UG- 1
 - using UG- 23
- Support
 - messages GS-2
- Support Information, WS- 14–15
- Support Phone Numbers, WS- 14
- surge protection UG- 7
- SVCD GS-150
- switching mouse button functions GS-29
- sync
 - keyboard and mouse, manually UG- 12
- System Recovery, TM- 25–29
- System Restore, TM- 23

T

- Tablet PC
 - using to enter text with the touch screen UG- 43
- Television Program Guide
 - no data available GS-159
 - recording TV programs GS-165
 - searching for TV programs GS-163
 - setting up a download method GS-160
 - using the More information button GS-159
 - viewing GS-159
- touch screen UG- 21, 23
 - creating notes in HP TouchSmart Calendar UG- 32
 - selecting UG- 21
 - using Tablet PC software UG- 43
 - using Windows Journal UG- 43
- touch screen UG- 1
- troubleshooting
 - remote sensor GS-35
- turning off PC GS-10
- turning on the computer UG- 8
- TV
 - adding missing channels to the guide GS-162
 - advanced recording options GS-165
 - editing channels in the guide GS-162
 - input connectors UG- 4
 - manually downloading the guide GS-160, GS-161
 - playback, time shifting GS-156
 - playing recorded TV programs GS-172, GS-173
 - recording icons GS-164
 - recording TV from the guide GS-165
 - recording TV manually GS-166
 - recording TV programs GS-164
 - removing channels from the guide GS-162
 - searching for TV programs GS-163
 - searching for TV programs by category GS-164
 - sorting programs GS-172
 - Television Program Guide errors GS-159
 - time shifting GS-156
 - using digital video recorder while watching GS-156
 - using the remote control GS-156
 - watching GS-154
 - watching TV programs GS-155
- TV + Movies GS-153
- tweak muvee GS-148

U

- update, Windows Vista GS-14
- updates from Compaq Connections, using GS-2
- updates from HP Connections, using GS-2
- updating, system GS-14
- upgrade UG- 45
- user accounts
 - adding in HP SmartCalendar UG- 32
 - creating GS-15

V

- VCD GS-150
 - playing with Windows Media Player GS-117
- video capture
 - live GS-142
 - recorded video GS-142
- video chat
 - setting up UG- 24
- video editing
 - getting started with muvee autoProducer GS-141
- video movies
 - transferring GS-138
 - transferring and recording GS-138
- Video Troubleshooting, TM- 11
- videos GS-136
 - creating a CD or DVD GS-138
 - playing GS-136
 - playing digital videos GS-137
 - transferring videos GS-138
- visualization settings GS-95
- voice messages
 - creating UG- 33
- volume
 - controls GS-24
- volume buttons UG- 3

W

- weather
 - changing location of the two-day forecast UG- 27
 - checking local weather in HP SmartCenter UG- 27
- weather forecast
 - accessing UG- 25
- Web camera
 - using UG- 24

- Web camera and indicator UG- 1
- Web Streaming GS-149
- Windows Journal
 - using UG- 43
- Windows Media Center
 - opening UG- 25
 - play videos GS-136
 - playing videos GS-136
 - using the touch screen to access UG- 41
 - viewing your pictures GS-131
 - watch live TV UG- 25
 - what you can do
 - in TV + Movies GS-153
- Windows Media Player
 - play DVDs GS-116
 - play music CDs GS-111
 - playing video CDs GS-117
 - setting as default player GS-93
 - types of files GS-93
- Windows Movie Maker, features GS-48
- Windows Vista update GS-14
- wired network UG- 18
- wireless network UG- 2, UG- 19
- working in comfort GS-5

Y

- Y-cable, HP printer UG- 5, UG- 15

Part number: 5991-7301