

# MEMO

A large rectangular area with rounded corners, containing 20 horizontal dotted lines for writing notes.

# 1.3 Remote Control

## ▶ Before Using the Remote Control

### ▶ Inserting the batteries in the Remote Control

You must insert or replace the batteries in the remote control.

① Open the cover.



② Insert batteries with the correct polarity (+, -).



③ Close the cover.



### N · O · T · E · S

- ▶ Always use recommended batteries only; use of other batteries may result in battery leakage or corrosion.
- ▶ Do not insert the batteries with the wrong polarity.
- ▶ Do not put spent batteries in a fire.
- ▶ Do not leave completely-used batteries in the remote control. Leaving them in place for a long time may cause corrosion of the electrodes in the remote control.
- ▶ Replace the batteries with new ones, if the remote control does not work well.

## Information on the Use of the Remote Control

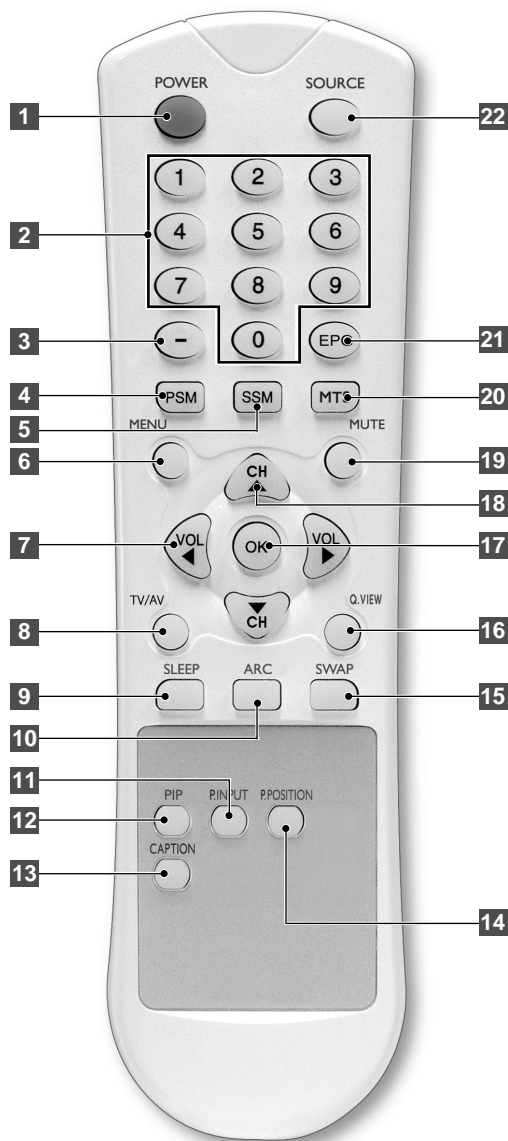
- When using the remote control, point it towards the Power Indication Lamp of the LCD Display.
- The operating distance should be within 23 feet.
- The receiving angle should be within 30 degrees.



### N · O · T · E · S

- ▶ Do not subject the remote control to shock. It may get damaged.
- ▶ Be careful not to let water get into the remote control. It may cause damage.
- ▶ Do not disassemble the remote control.
- ▶ Do not expose the remote control to direct sunlight or other strong light. The remote control may not work normally.
- ▶ Do not keep in cold or humid places. It may cause defects.

## ▶ Remote Control Button Functions



### 1 POWER Button

Turns the display On or Off.

### 2 NUMBER Buttons

Direct channel select. Direct page selection during Teletext display.

**3 '—' Button**

Set a channel on the digital TV.

**4 PSM (Picture Status Memory) Button**

Recalls your preferred picture setting. (Dynamic, Standard, Game, Mild, User)

**N · O · T · E**

▶ *PC Mode(CSM) : Warm, Normal, Cool, User*

**5 SSM (Sound Status Memory) Button**

Recalls your preferred sound setting. (Flat, Music, Movie, Speech, User)

**6 MENU Button**

Displays OSD Menu.

**7 VOL ◀/▶ (-/+ ) Buttons**

Increases or decreases the volume. Also used to select the OSD main menu, to select the sub-menu or to change the values in sub-menus.

**8 TV/AV Button**

It converts to TV input mode and, if you press and hold the button, input mode will be switched.

**9 SLEEP Button**

Sets the sleep timer. The TV is automatically turned off.

**10 ARC (Aspect Ratio Control) Button**

You can watch the LCD Display in various picture formats ; 16:9, 14:9, Zoom 1, Zoom 2, 4:3. Repeatedly press the ARC button to select your chosen picture format.

&lt;16:9&gt;



&lt;14:9&gt;



&lt;Zoom 1&gt;



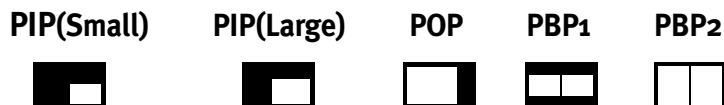


### 11 P.INPUT Button

Changes the PIP input source.

### 12 PIP Button

Changes the screen size. PIP(Small), PIP(Large), POP, PBP1, PBP2 screen change.



### 13 CAPTION Button

Controls the caption decoder.

### 14 P.POSITION Button

Changes the PIP sub-window to 4 different corner locations.  
PIP Position Change (PIP Mode only).

### 15 SWAP Button

Swaps the main screen for a sub-screen (only in PIP, POP, PBP mode).

### 16 Q.VIEW Button

It goes from the channel you are currently viewing back to the channel you were previously watching. (Quick Search View Function)

### 17 OK Button

Select sub-menu or fix user setting.

**18 CH ▼/▲ Buttons**

Press CH ▼ or CH ▲ to change channels. Also used to select in the OSD menu or select the channel providing teletext service.

**19 MUTE Button**

Press to temporarily cut off the sound.

**20 MTS Button**

Press to choose stereo, mono or Separate Audio Program (SAP broadcast).

**21 EPG(Electronic Program Guide) Button**

View a program guide for the digital TV.

**22 SOURCE Button**

Selects the external input source.  
(TV, AV1, AV2, AV3, COMPONENT, RGB, DVI)

# 1.4

## Connecting the LCD TV and Peripheral Devices

### ▶ Connecting the Aerial or Cable Television Network

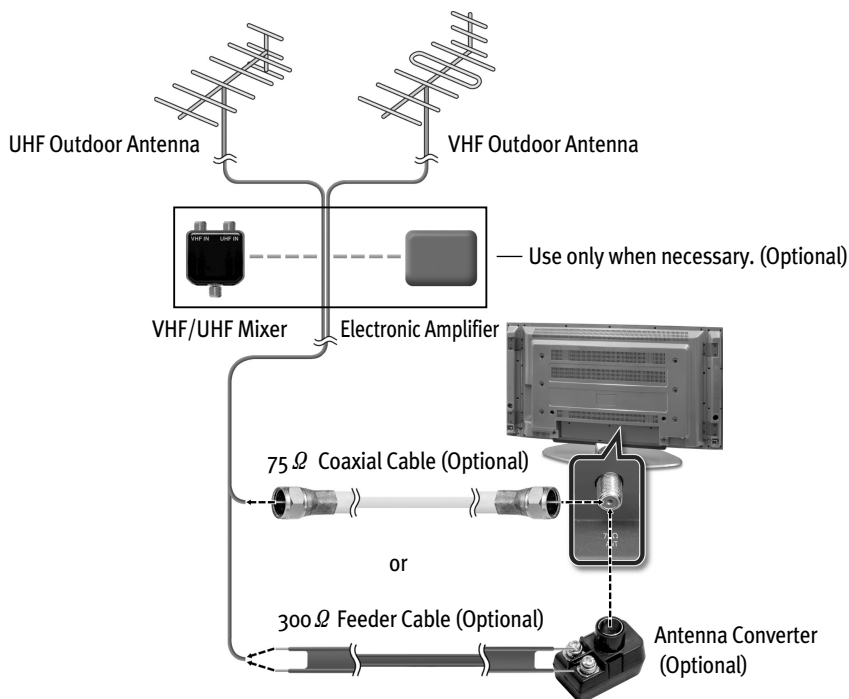
To view television channels correctly, a signal must be received by the set from one of following sources:

- An outdoor aerial
- An indoor aerial (not recommended)
- A cable television network

#### ▶ When connecting an outdoor antenna

Antenna connection is the most important factor for obtaining clean and sharp video quality. Whenever possible, use an external antenna in areas with weak signals.

- ❶ In the first three cases, connect the aerial or network input cable to the  $75\ \Omega$  coaxial socket on the rear of the TFT LCD display.
- ❷ Press the TV button on the remote control.



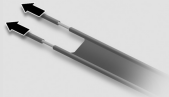


**N · O · T · E · S****▶ Connecting 300 Ω feeder cable to the antenna converter**

❶ Remove the insulation from the 300 Ω feeder cable.

❷ Use the ⊕ driver to loosen the screw.

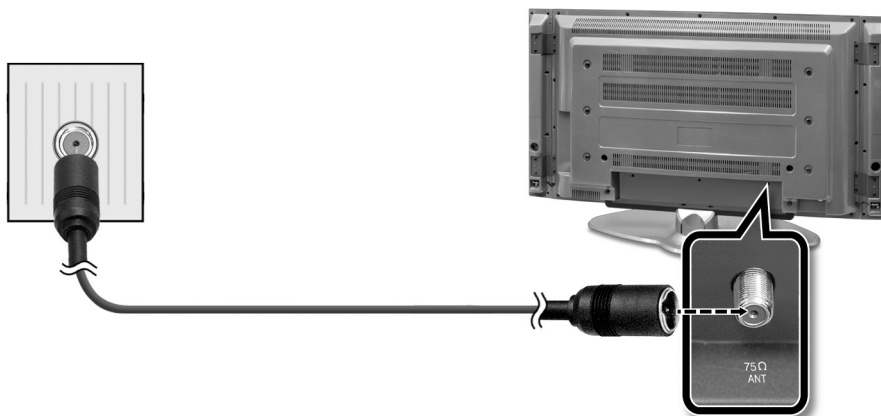
❸ Connect the 300 Ω feeder cable, and secure it by retightening the screw with the screwdriver.



▶ If the video is not clear because of weak signals, install a signal amplifier to obtain clearer video. (An amplifier is often necessary when using an indoor antenna.)

**▶ When connecting an indoor antenna (cable TV)**

Check the antenna connector on the wall and then connect the antenna cable.

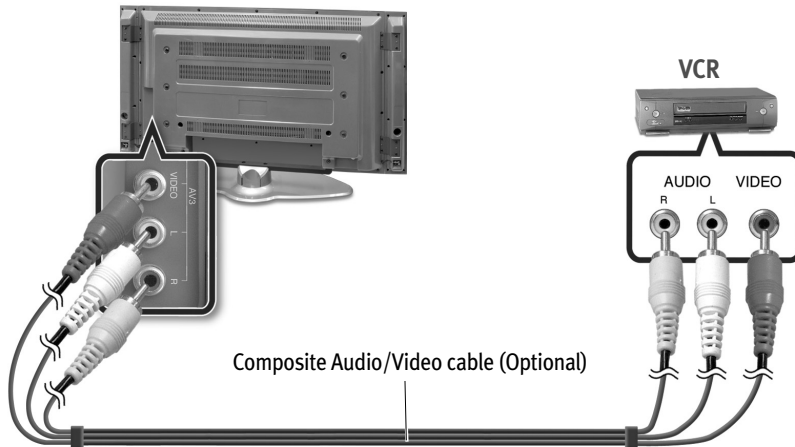


## ▶ Connecting VCR

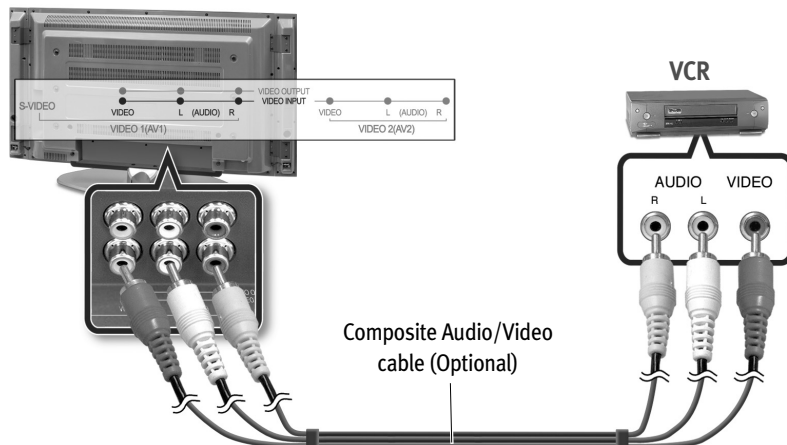
### ▶ When connecting to the composite connector

Different jacks on the rear panel are used for different external devices.

#### Method 1



#### Method 2



### N · O · T · E

▶ S-video and composite video signals share the audio signals.