



Bluetooth Speaker

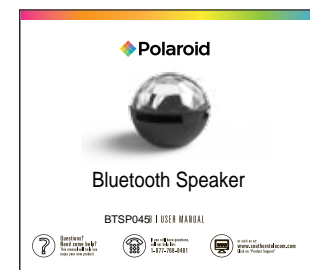
BTSP045 | USER MANUAL

- Questions? Need some help?** This manual will help you enjoy your new product.
- If you still have questions,** call our help line: **1-877-768-8481**
- or visit us at:** www.southern telecom.com Click on "Product Support"

IN THE BOX



Bluetooth Speaker



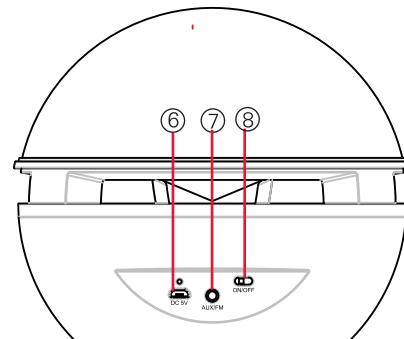
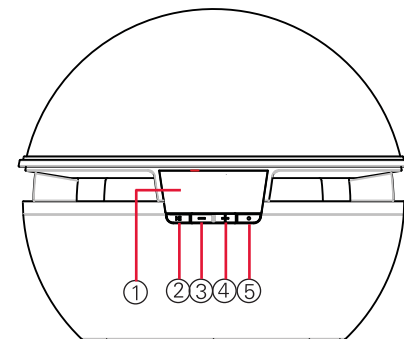
User Manual



Micro USB Charging Cable

3.5mm Auxiliary Cable-FM Radio Antenna

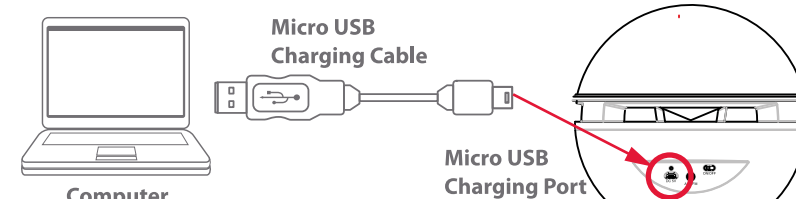
LOCATION OF CONTROLS



- LCD Display
- [▶||] button:**
 - Quick press to PLAY/PAUSE music in Bluetooth and AUX mode
 - Long press to switch from Bluetooth, AUX and FM Radio modes
- [-] button:**
 - Quick press to decrease volume
 - Long press to select previous channel in FM Radio mode
- [+] button:**
 - Quick press to increase volume.
 - Long press to select next FM station in FM Radio mode.
- Disco Light ON/OFF
- Micro USB charging port
- AUX/FM port
- Power ON/OFF

CHARGING THE SPEAKER

- Connect the small end of the Micro USB charging cable to the Micro USB charging port on the speaker.
- Connect the large end of the Micro USB cable to your computer's USB port or an AC adapter (not included).
- The LED indicator light turns RED when charging.
- When fully charged, the LED indicator light turns off



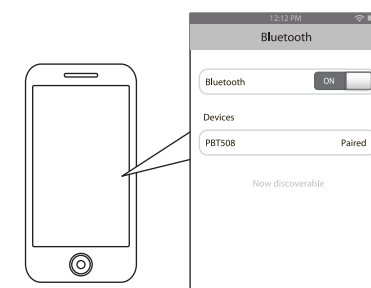
Make sure you charge the speaker for at least 2 hours before using it for the first time.

PAIRING THE SPEAKER

- Slide the Power ON/OFF Switch to the ON position.
- Press and hold the **[▶||]** Button for 3 seconds. The Bluetooth icon will flash to indicate that it is in pairing mode.
- Keep your Bluetooth speaker and Bluetooth-enabled device within 3 feet of each other during the pairing process.
- Set your mobile phone or other Bluetooth-enabled device to search for Bluetooth devices.

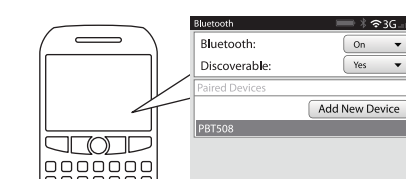
If there are no paired devices in range when the speaker is turned on, it will go into pairing mode automatically. If a paired device is in range, the earbuds will connect to it automatically.

- On an iPhone**
 - Go to **SETTINGS > BLUETOOTH** (Make sure Bluetooth is turned ON)

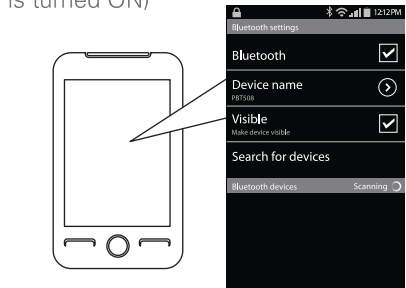


PAIRING THE SPEAKER (cont'd)

- On a Blackberry**
 - Go to **SETTINGS/OPTIONS > BLUETOOTH**
 - Enable **BLUETOOTH**

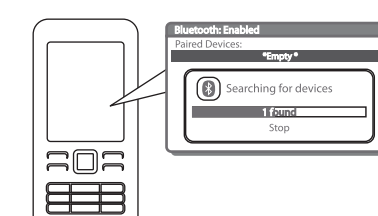


- On an Android Phone**
 - Go to **SETTINGS > BLUETOOTH > MENU > Search for devices** (make sure Bluetooth is turned ON)



PAIRING THE SPEAKER (cont'd)

- On other Cell Phones/Devices**
 - Review the instruction manual that came with your phone/device.



- When the Bluetooth-enabled device finds the speaker, select "PBT508" from the list of found devices.
- If required, enter the password 0000. Select OK or Yes to pair with your device.
- After a successful pairing, the Bluetooth icon on the speaker's main display will remain RED.

The screenshots above are typical of many Bluetooth-enabled devices in the market today, and are used to assist in the explanation of the pairing process. Your Bluetooth-enabled device's interface and interaction with the speaker may differ slightly from the illustrations shown.

USING THE SPEAKER

Powering ON/OFF

To turn the speaker ON, move the power switch on the back of the speaker to the ON position. To turn the speaker off, move the power switch to the OFF position.

Playing music

Quick press the **[▶||]** button to play, pause and resume your music.

Adjusting the volume

- Quick press the **[+]** button to increase the volume.
- Quick press the **[-]** button to decrease the volume.

You can also adjust the volume from your connected device's volume control.

Low battery indicator light

Illuminates in LCD Display when battery power is low.

USING AS A WIRED SPEAKER

- Connect one end of the 3.5mm Auxiliary Cable to the AUX/FM port on the back of the speaker.
- Connect the other end of the 3.5mm Auxiliary Cable into the headphone jack on your smartphone, tablet or MP3 player.
- The speaker will automatically enter AUX mode. Use the controls on your connected device to control music playback and volume.

NOTE: If you've connected the PBT508 to an external media device and are unable to hear your music, increase the volume on your Bluetooth-enabled device to maximum and gradually increase the volume on the speaker by quick pressing the **[+]** button.

SETTING THE TIME

- Press and hold the **[▶||]** button for 3 seconds and release. The "Hours" field will begin to flash.
- Quick press the **[+]** or **[-]** buttons to adjust the desired hour.
- Quick press the **[▶||]** button again to switch to the Minutes field.
- Use the **[+]** and **[-]** buttons to adjust the Minutes field.
- Quick Press the **[▶||]** button to confirm your entry.

USING THE FM RADIO

- Long press the **[▶||]** button for 3 seconds and release. Stop when the FM radio mode is selected. The FM indicator will appear on the LCD display.
- Connect the 3.5mm Auxiliary Cable-FM Radio Antenna into the AUX/FM antenna port on the back of the speaker. The 3.5mm cable can also be used as an FM radio antenna.
- Quick press the **[▶||]** button to scan and save broadcasting radio stations.
- Press and hold the **[-]** button for 3 seconds to switch to the previous station.
- Press and hold the **[+]** button for 3 seconds to switch to the next station.

TROUBLESHOOTING (cont'd)

I can pair the speaker with my Bluetooth device, but I cannot hear any music.

- Make sure your Bluetooth device supports A2DP profile.
- Turn up the volume on your Bluetooth device.
- You may have to unpair the speaker, then re-pair to your device.

My Bluetooth device is not able to pair with the speaker.

- Make sure the speaker is turned ON before beginning the pairing process.
- Keep the speaker and Bluetooth-enabled device within 3 feet of each other during the pairing process.
- Check that YOUR device's Bluetooth feature is turned ON.
- Try repeating the pairing process, see "Pairing the Speaker."
- Make sure the speaker is charged.

I cannot get the speaker into pairing mode.

- Make sure the speaker is turned ON before beginning the pairing process.
- Press and hold the **[▶||]** Button for 3 seconds. The Bluetooth icon will flash to indicate that it is in pairing mode.
- Check that the speaker is charged.

WARRANTY

This product as supplied and distributed new by AIT, Inc. ("AIT") to the original consumer purchaser is warranted by AIT against defects in material and workmanship for a period of one year from your date of purchase ("Warranty"). In the unlikely event that this product is defective, or does not perform properly, you may within one year from your original date of purchase return it to the authorized service center for repair or exchange.

- TO OBTAIN WARRANTY SERVICE:**
- Call the Customer Support number located below, or go to our website portal to receive an SRO number.
 - Provide proof of the date of purchase within the package (Dated bill of sale).
 - Prepay all shipping costs to the authorized service center, and remember to insure your return.
 - Include a return shipping address (no P.O. Boxes), a telephone contact number, and the defective unit within the package.
 - Describe the defect or reason you are returning the product.

Your product will be repaired or replaced, at our option, for the same or similar model of equal value if examination by the service center determines this product is defective. Products received damaged as a result of shipping, will require you to file a claim with the carrier.

The shipping address of the authorized service center is:
AIT, Inc.
ATTN: Customer Service (2nd Floor)
14-C 53rd Street
Brooklyn, NY 11232

IN NO EVENT WILL AIT, ITS MANUFACTURERS, DISTRIBUTORS OR PLR IP HOLDINGS, LLC BE LIABLE FOR ANY INCIDENTAL, DIRECT, INDIRECT, SPECIAL, PUNITIVE OR CONSEQUENTIAL DAMAGES (SUCH AS, BUT NOT LIMITED TO, DAMAGES FOR LOSS OF PROFITS, BUSINESS, SAVINGS, DATA OR RECORDS) RELATED TO THIS PRODUCT, EXCEPT AS STATED HEREIN. NO OTHER WARRANTIES SHALL APPLY.

- Questions? Need some help?** This manual will help you enjoy your new product.
- If you still have questions,** call our help line: **1-877-768-8481**
- or visit us at:** www.southern telecom.com Click on "Product Support"

PLR IP Holdings, LLC, its licensees and affiliates, fully support all electronic waste recycling, as responsible standards of the environment, and to avoid making assemblies that have you should properly dispose of the product. At no time will we accept any responsibility for the disposal of the product. Please refer to the local regulations of the retailer where you purchased the product to determine a location where you can responsibly dispose of the product. Recycle the product in a responsible manner. Do not burn, bury, or otherwise dispose of the product. The recycling symbol on the product indicates that the product is made of recyclable materials. Please refer to the local regulations of the retailer where you purchased the product to determine a location where you can responsibly dispose of the product.



This device complies with part 15 of the FCC rules. Operation is subject to the following two conditions: (1) This device may not cause harmful interference, and (2) this device must accept any interference received, including interference from a licensed transmitter.



Note: This equipment has been tested and found to comply with the limits for a Class B digital device, pursuant to part 15 of the FCC rules. These limits are designed to provide protection against harmful interference in a residential installation. This equipment generates, uses and can radiate radio frequency energy and, if not installed and used in accordance with the instructions, may cause harmful interference to radio or television reception. However, there is no guarantee that interference will not occur in a particular installation. If the equipment does cause harmful interference to radio or television reception, which can be determined by turning the equipment off and on, the user is encouraged to try to correct the interference by one or more of the following measures: reorient or relocate the receiving antenna; increase the separation between the equipment and receiver; connect the equipment to an outlet on a circuit different from that to which the receiver is connected; consult the dealer or an experienced radio/TV technician for help.

